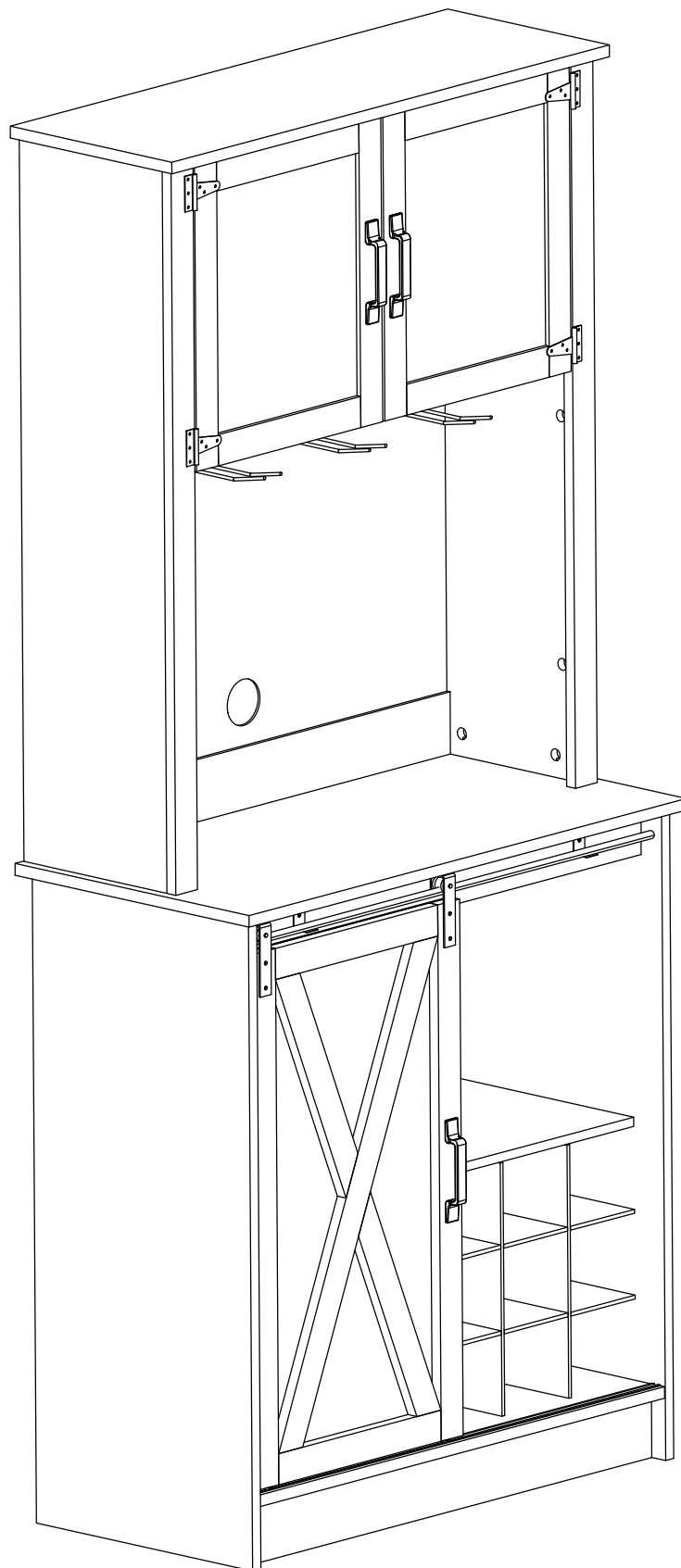
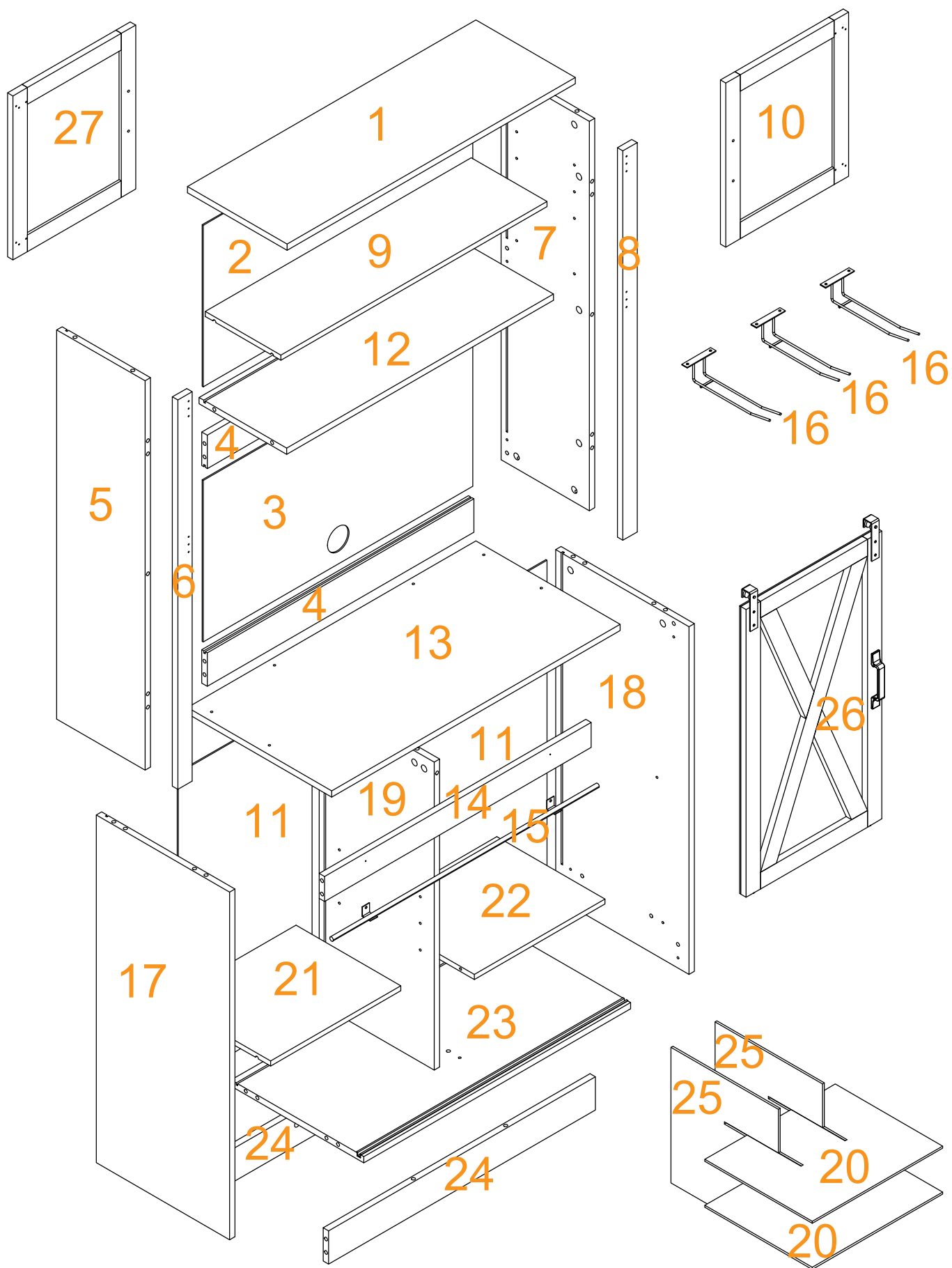


SKU: SF001055



ASSEMBLY INSTRUCTIONS



Trouble Shooting

Missing/Damaged pieces/
Wrong size and installation issues



Contact us with your problem, pic,
number and qty to the "Contact seller"
button in the detail page of your order



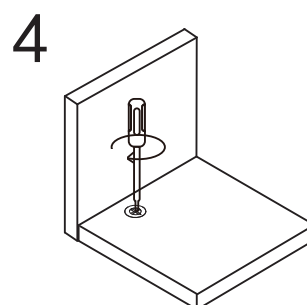
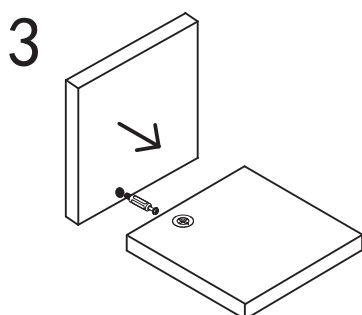
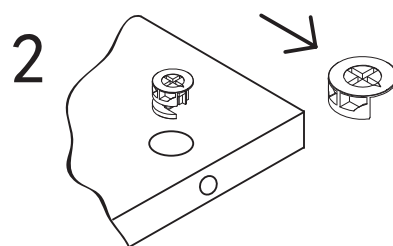
Respond with 24 hours to solve issue

Before You Start

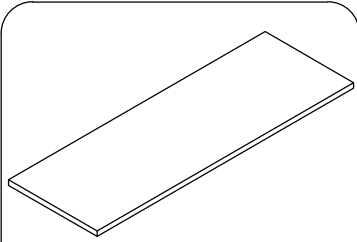
1. Read through each step carefully and follow the proper order
2. Separate and count all your parts and hardware
3. Give yourself enough room for the assembly process
4. Caution: If using a power drill or power screwdriver for screwing, please be aware to slow down and stop when screw is tight. Failure to do so may result in stripping the screw

Cam Lock Fastening System

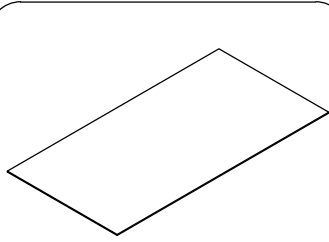
This Cam Lock Fastening System will be used throughout the assembly process



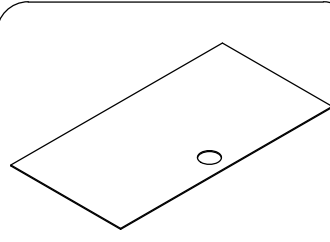
Parts List



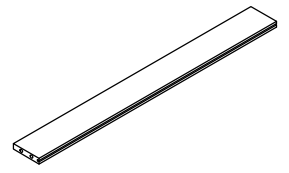
1 1PC



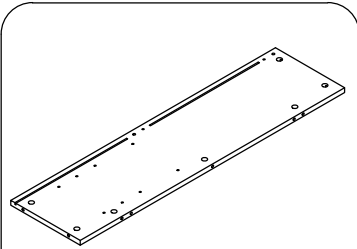
2 1PC



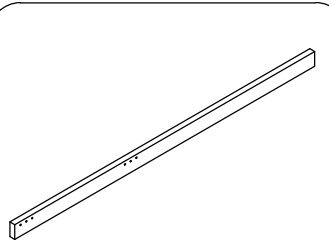
3 1PC



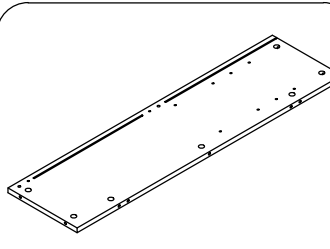
4 2PCS



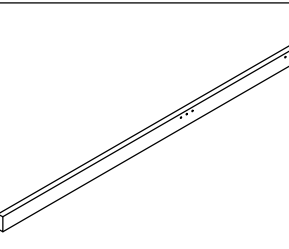
5 1PC



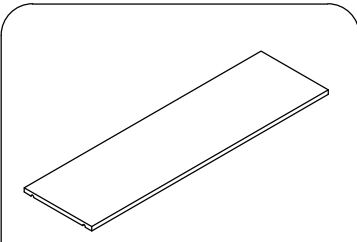
6 1PC



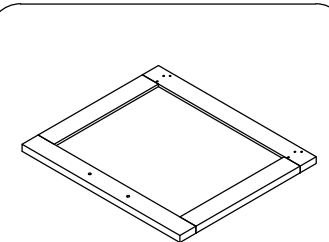
7 1PC



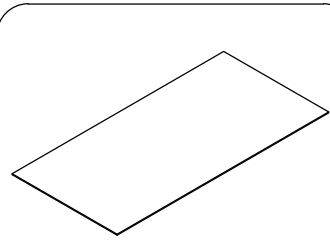
8 1PC



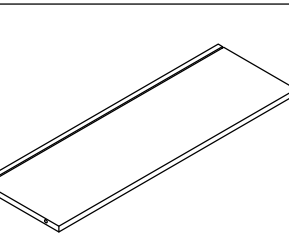
9 1PC



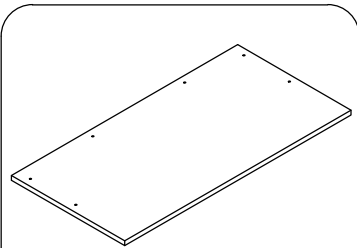
10 1PC



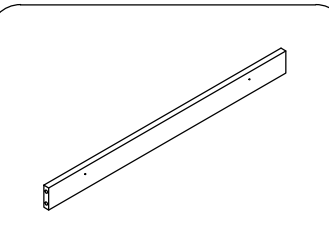
11 2PCS



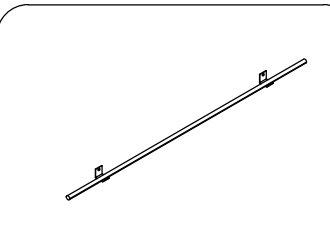
12 1PC



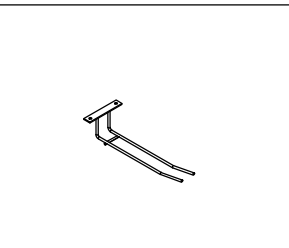
13 1PC



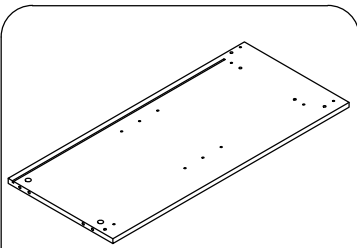
14 1PC



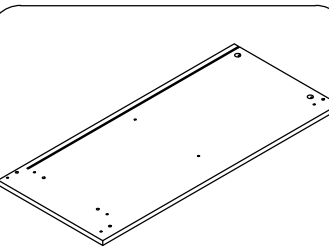
15 1PC



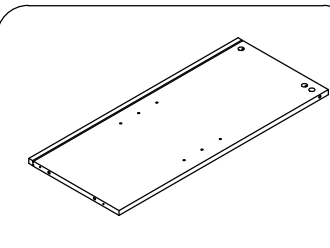
16 3PCS



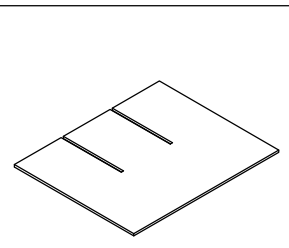
17 1PC



18 1PC

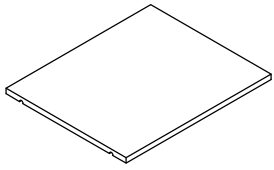


19 1PC

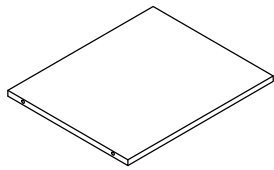


20 2PCS

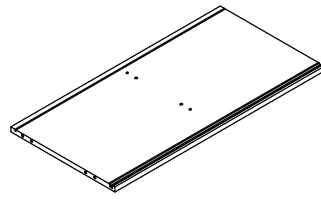
Parts List



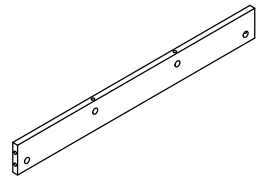
21 | 1PC



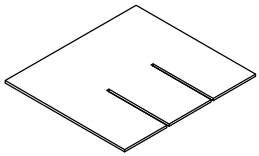
22 | 1PC



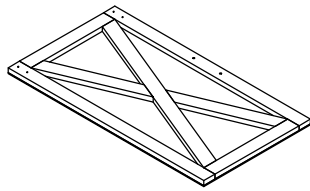
23 | 1PC



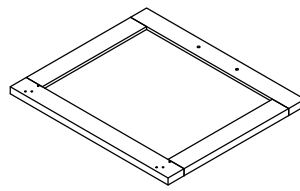
24 | 2PCS



25 | 2PCS




26 | 1PC

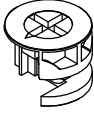


27 | 1PC

Hardware List




A	51PCS
---	-------




Ø15

B	47PCS
---	-------



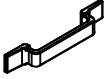
Ø8*30mm

C	26PCS
---	-------




Ø4*40mm

D	2PCS
---	------




E	3PCS
---	------



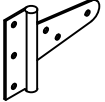
M4*22mm

F	2PCS
---	------




M4*18mm

G	4PCS
---	------

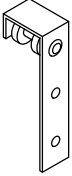


H	4PCS
---	------




Ø3*14mm

I	30PCS
---	-------

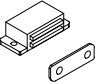


J	2PCS
---	------




Ø4*14mm

K	6PCS
---	------

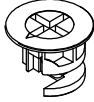


L	2PCS
---	------




Ø3*14mm

M	24PCS
---	-------

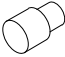


Ø12


N	4PCS
---	------



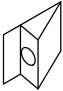
O	2PCS
---	------



P	8PCS
---	------

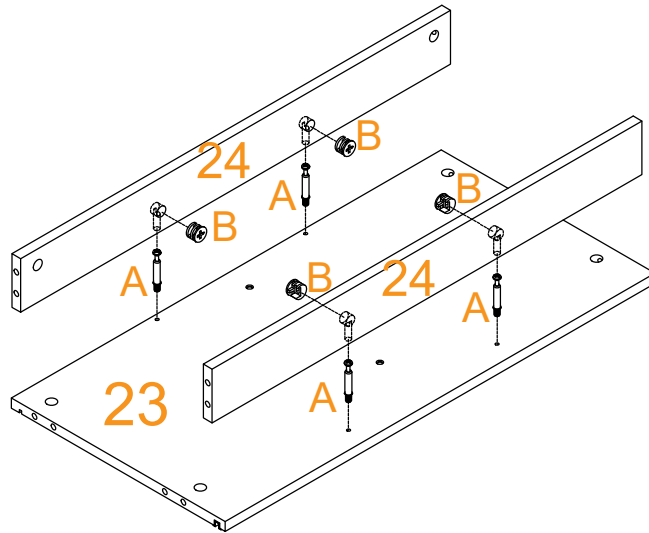
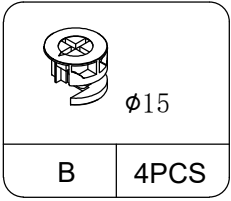
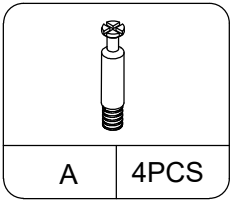


Q	1PC
---	-----

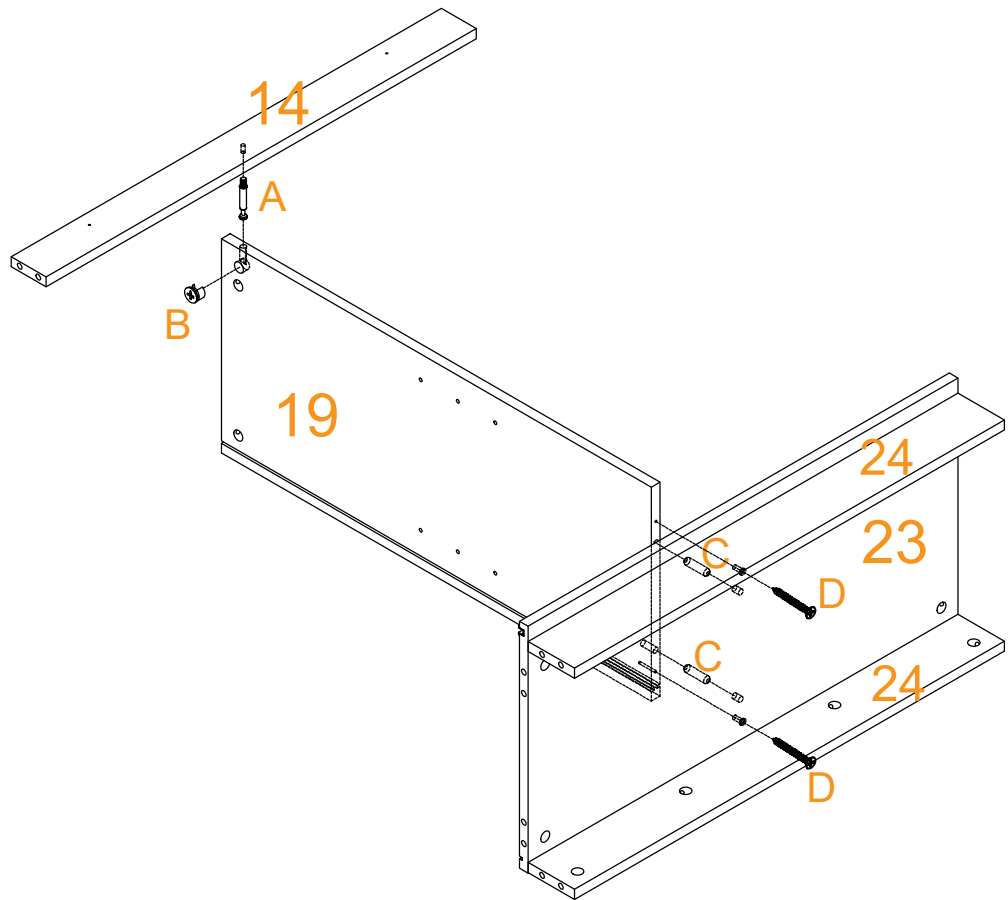
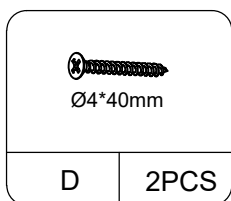
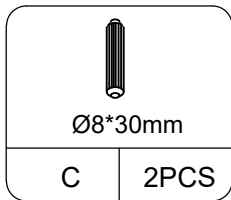
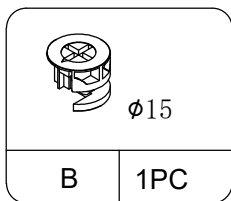
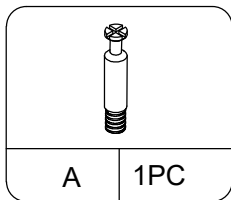


R	16PCS
---	-------

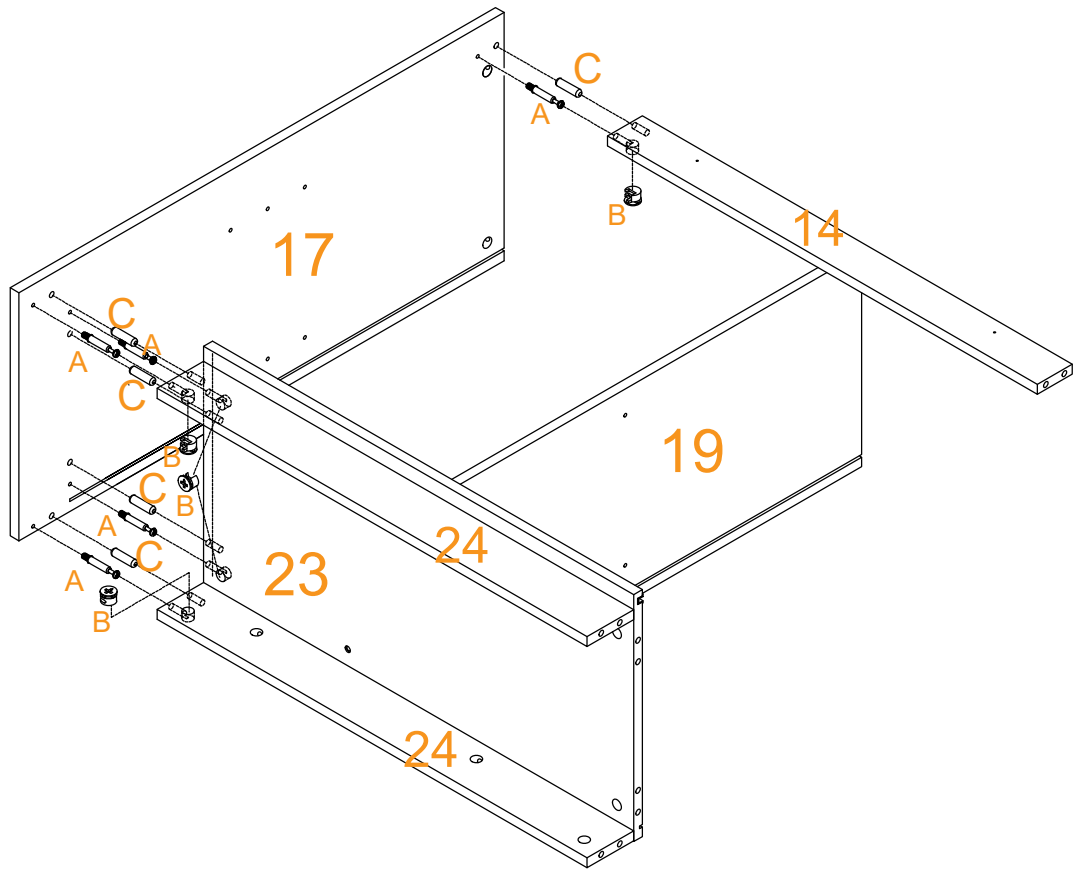
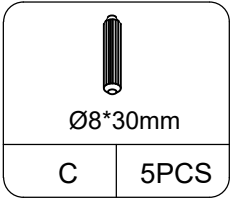
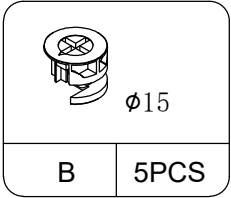
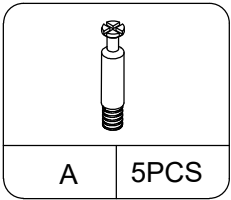
STEP 1



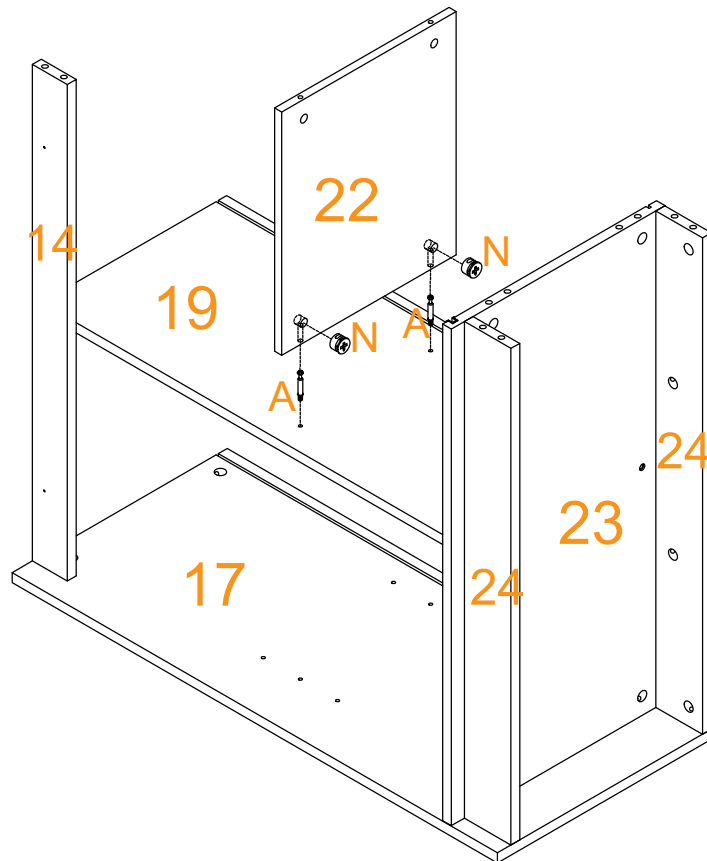
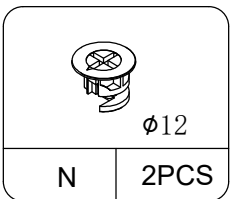
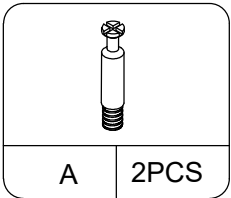
STEP 2



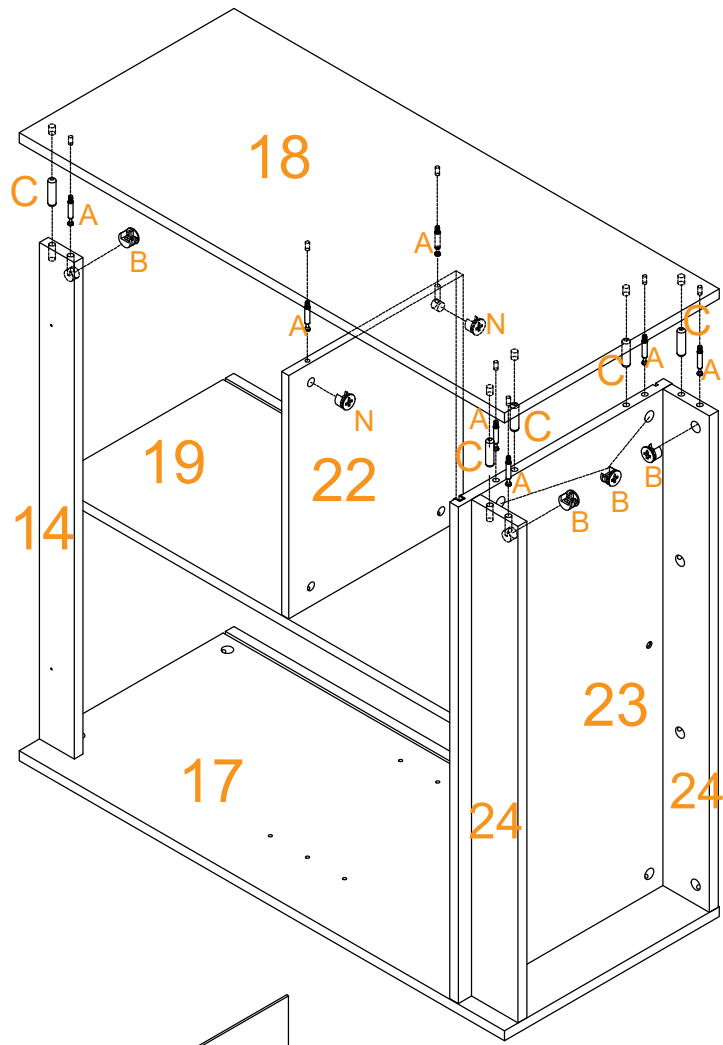
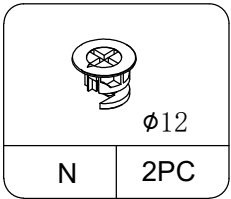
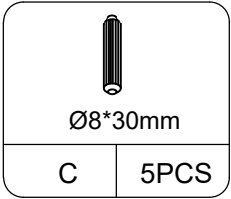
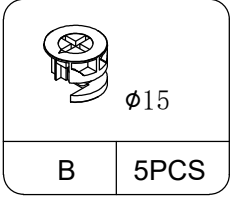
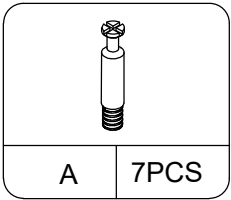
STEP 3



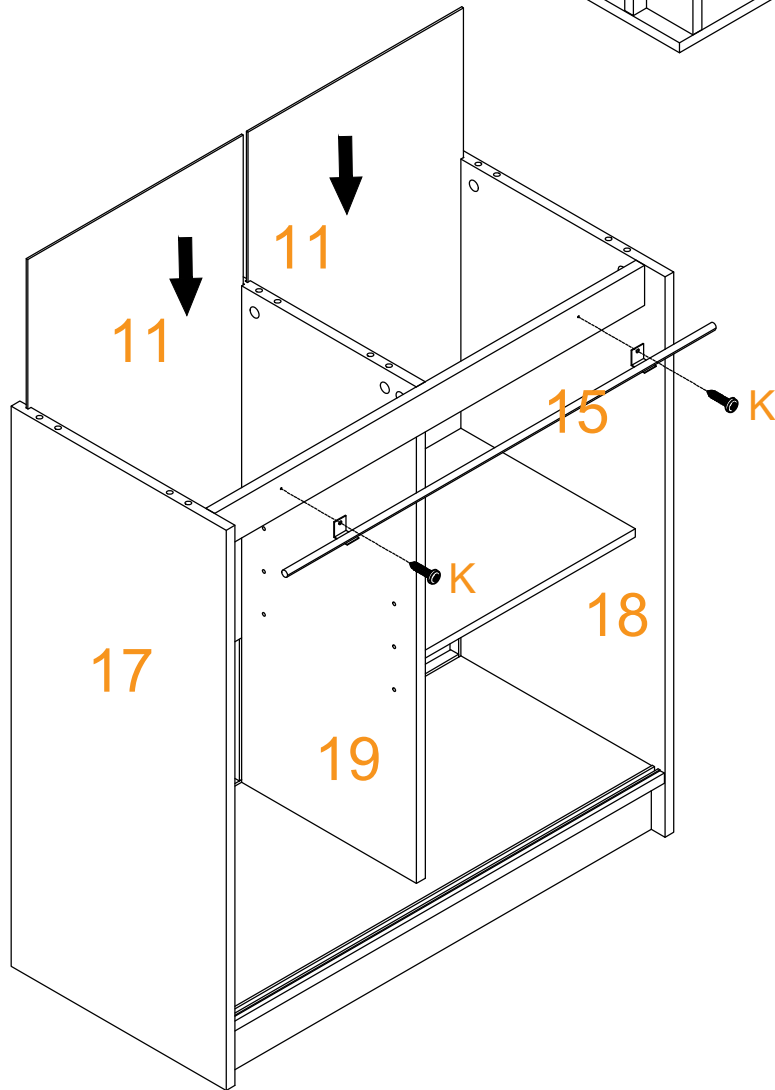
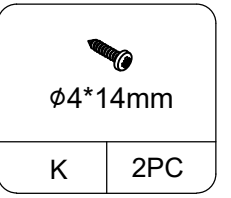
STEP 4



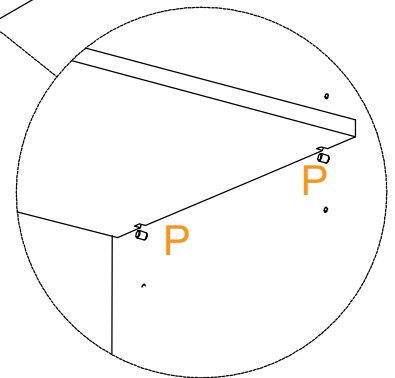
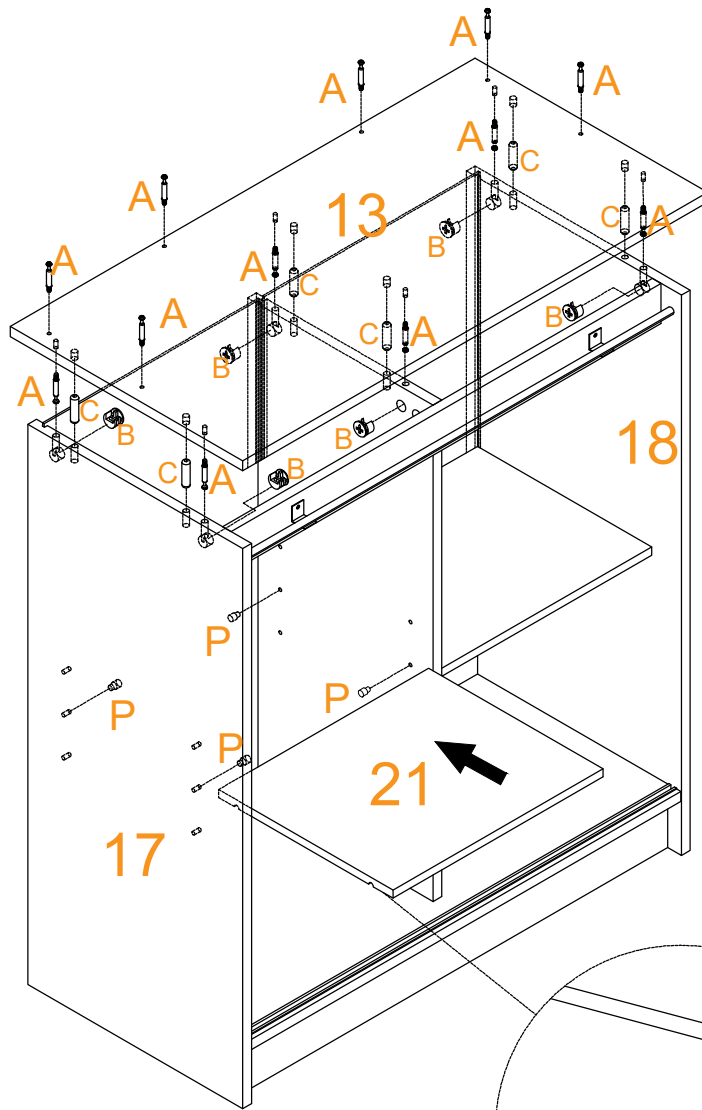
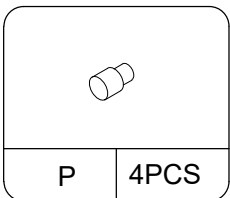
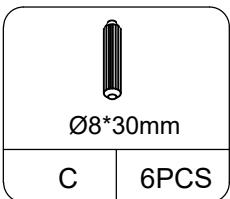
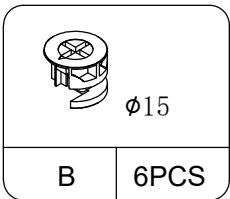
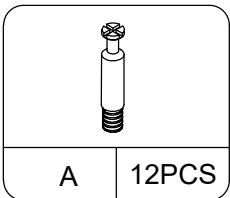
STEP 5



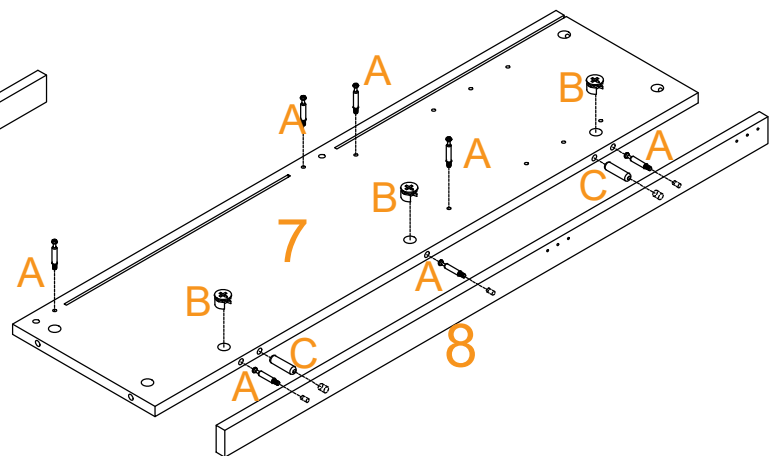
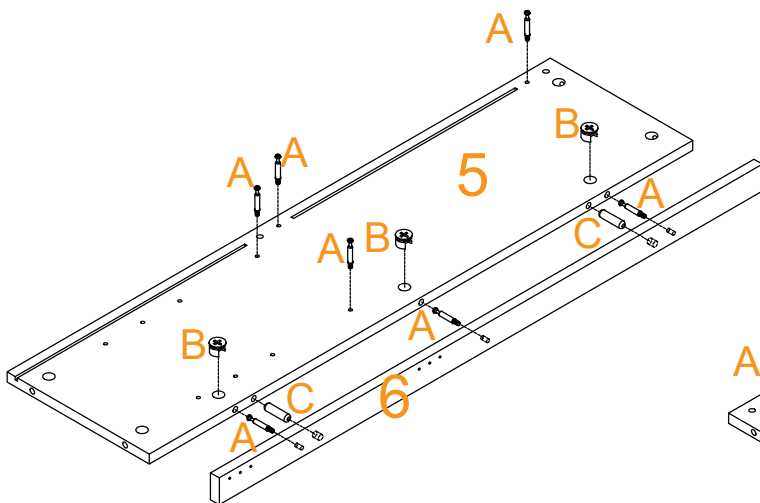
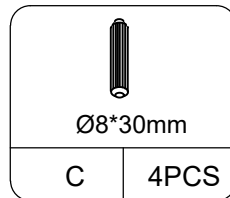
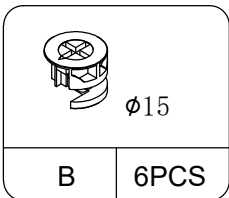
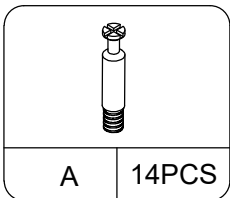
STEP 6



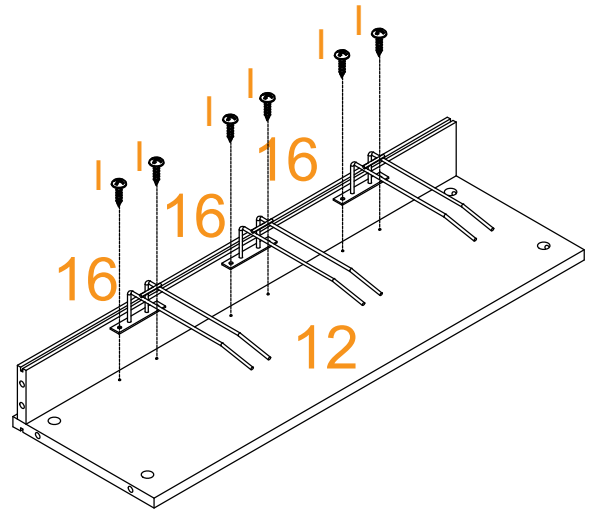
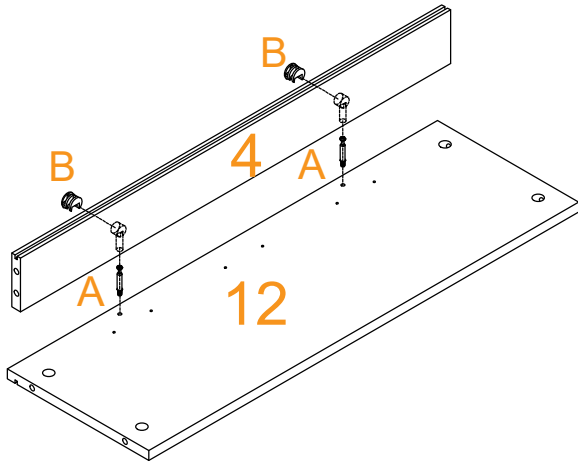
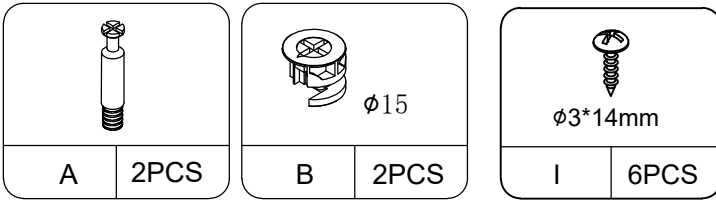
STEP 7



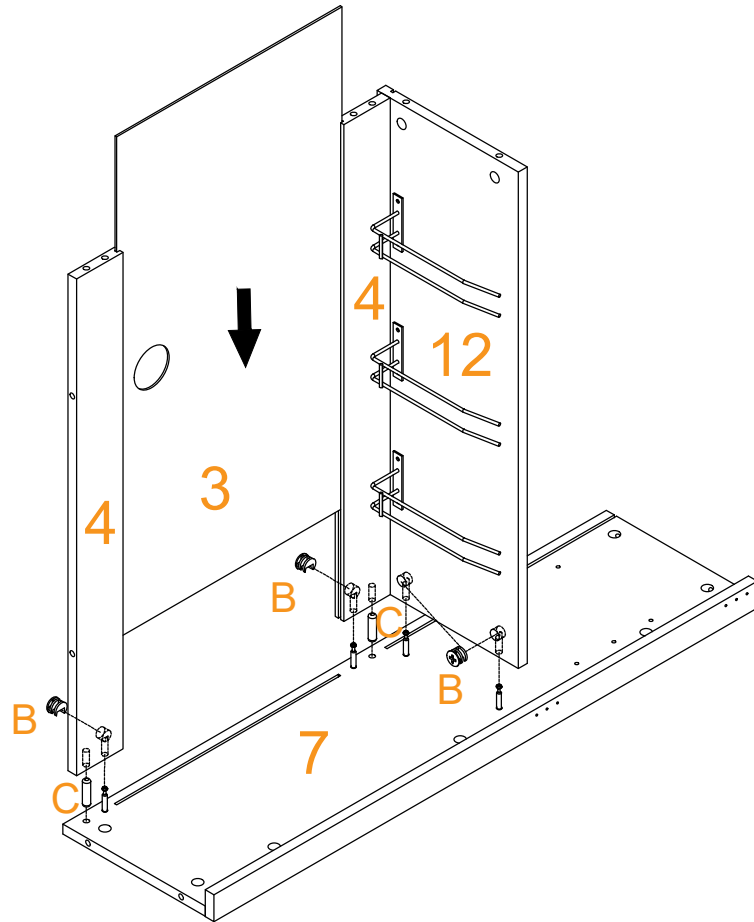
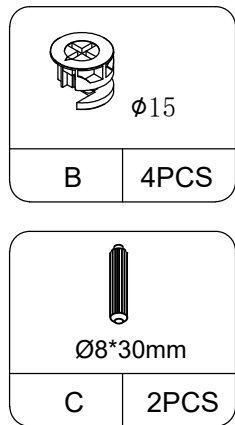
STEP 8



STEP 9



STEP 10



STEP 11



Ø15

B

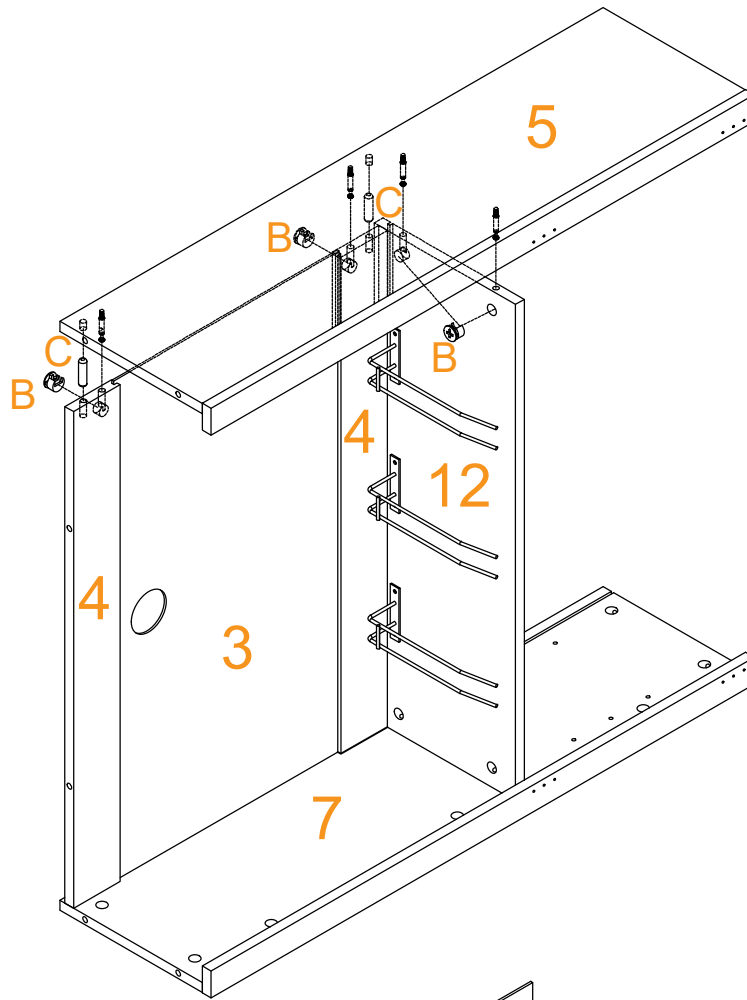
4PCS



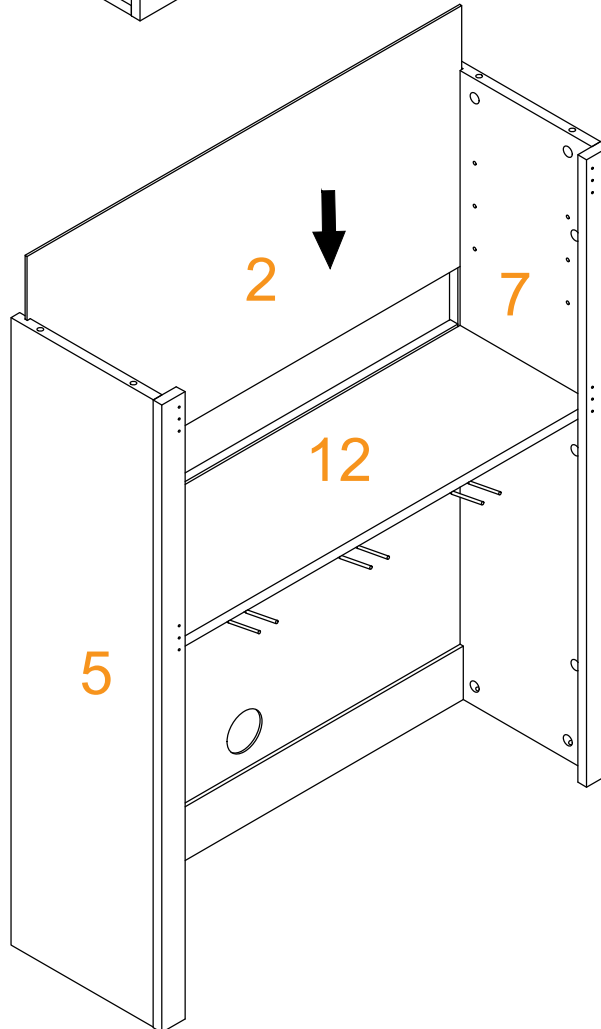
Ø8*30mm

C




2PCS

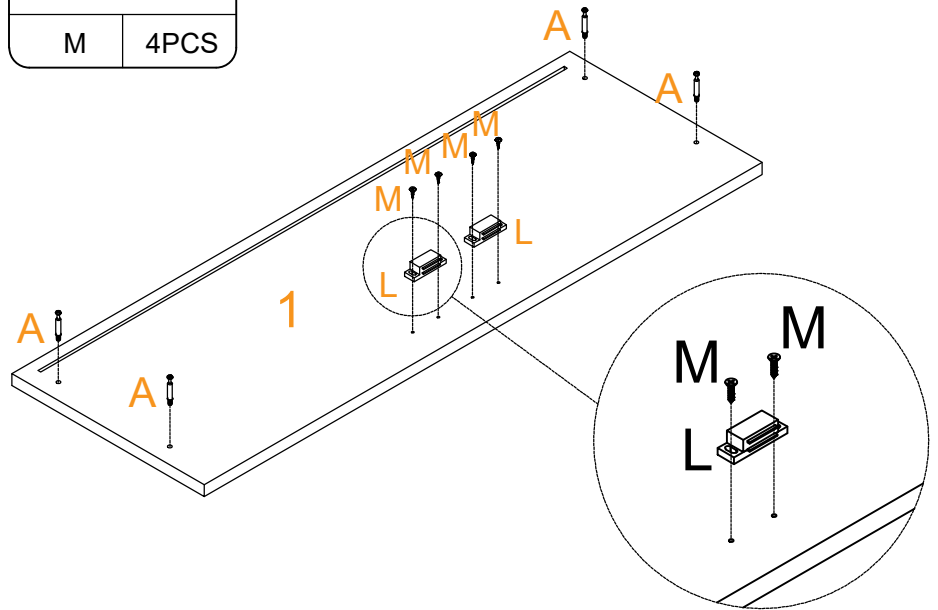


STEP 12




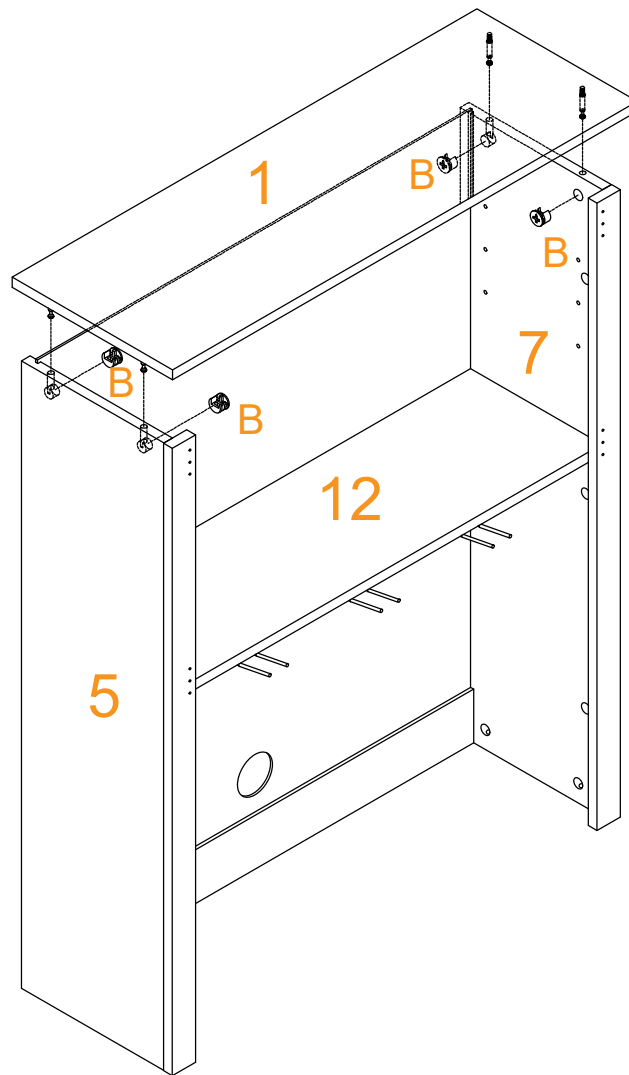
STEP 13

					
A	4PCS	L	2PCS	M	4PCS

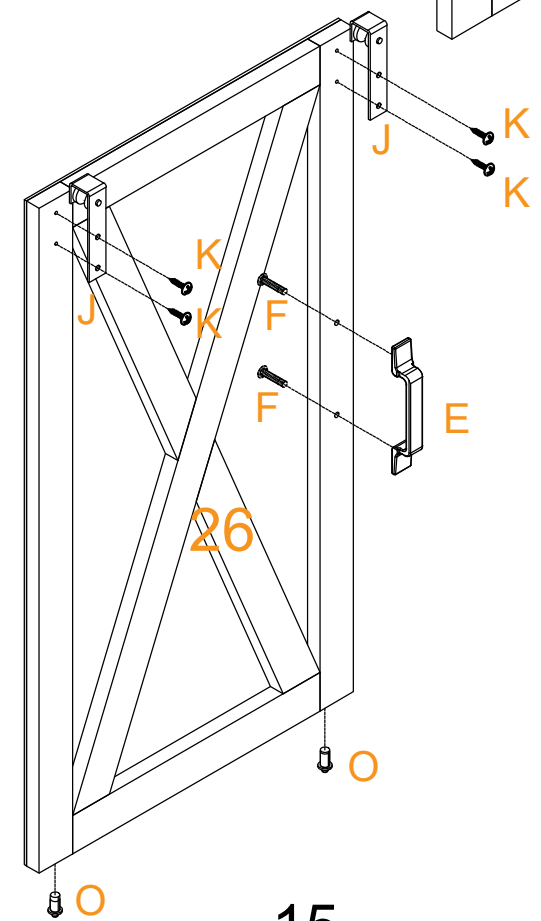
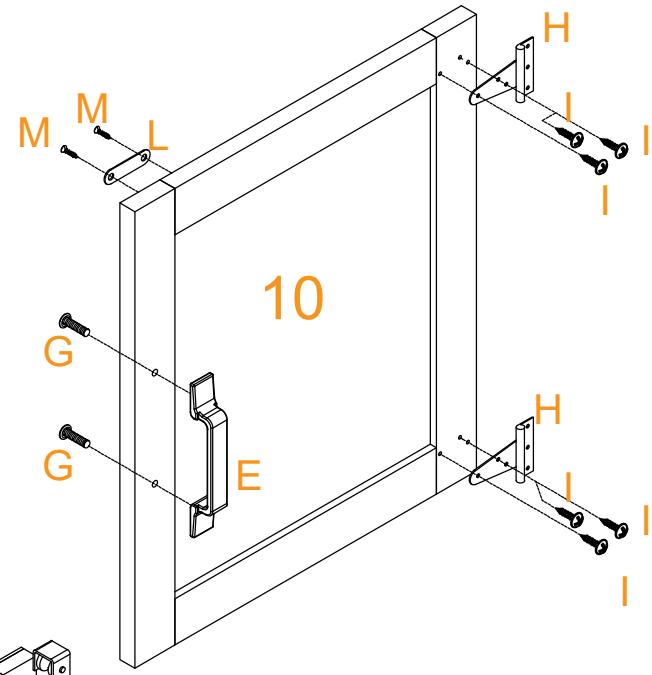
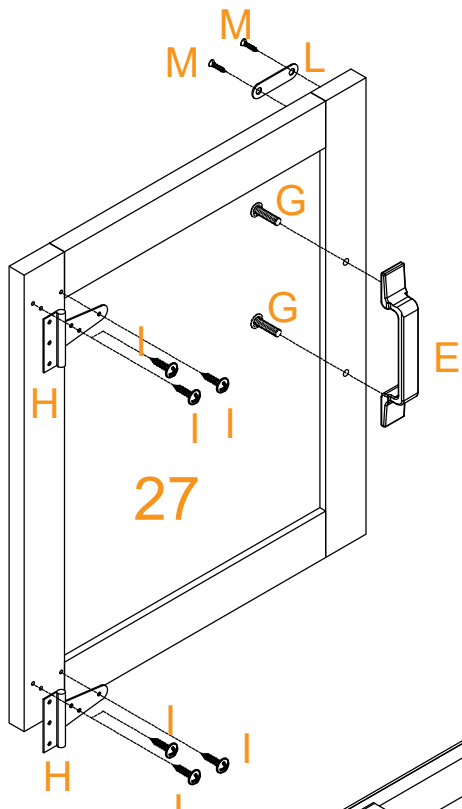
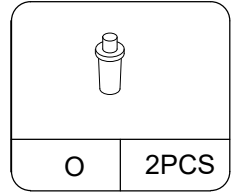
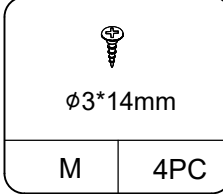
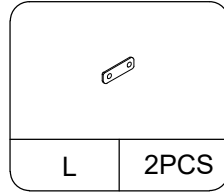
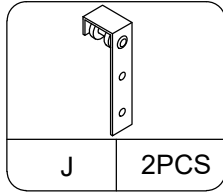
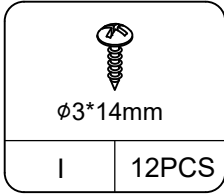
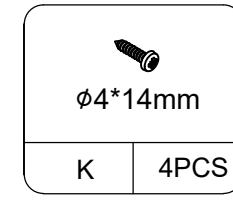
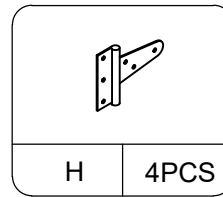
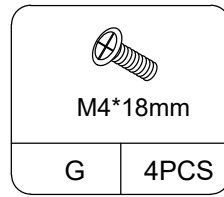
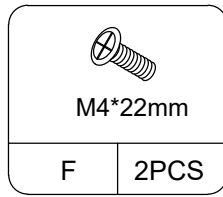
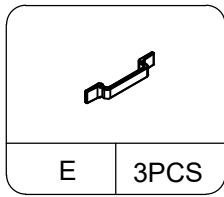


STEP 14

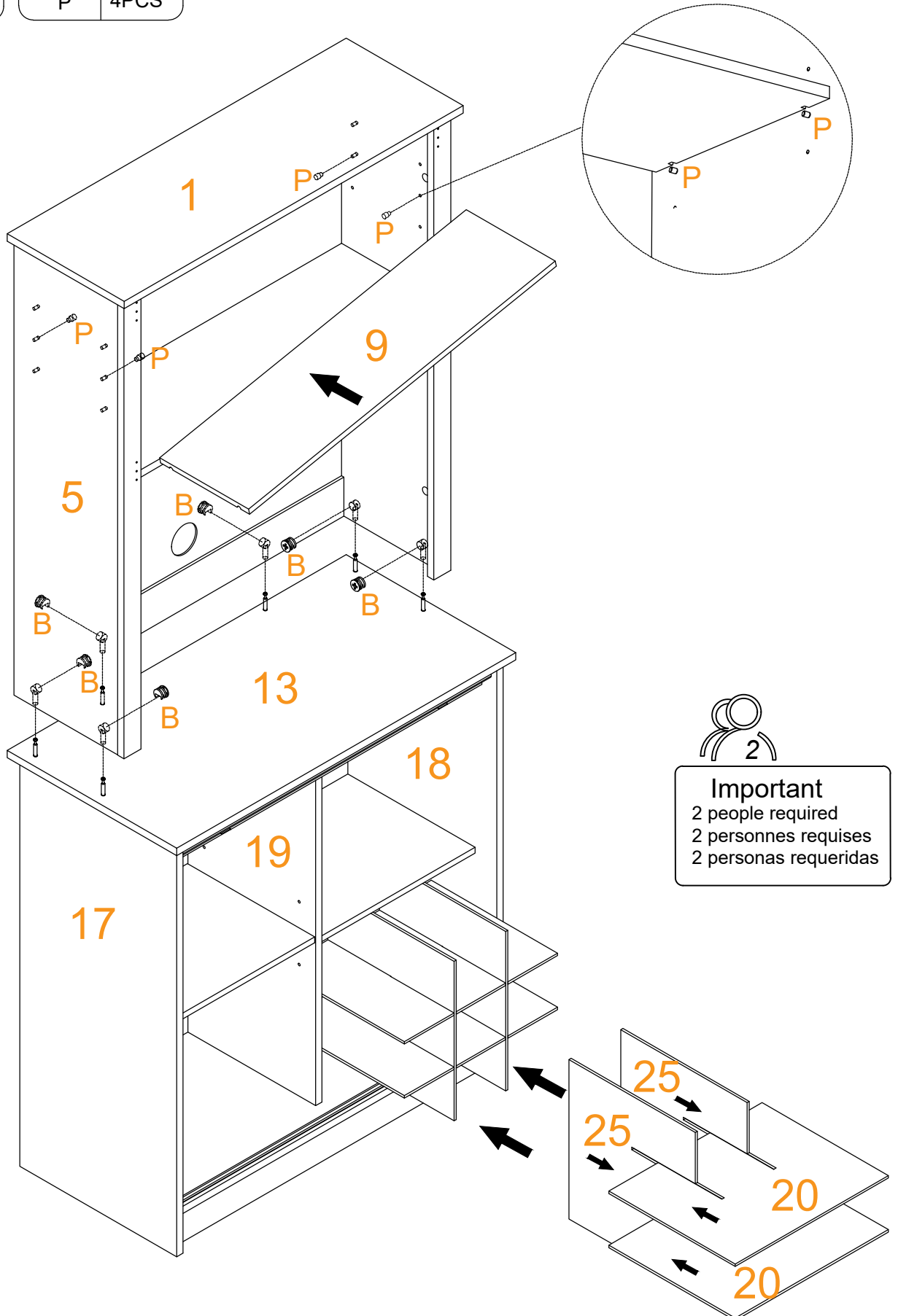
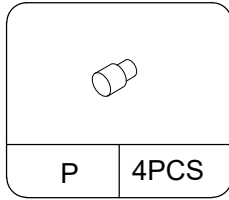
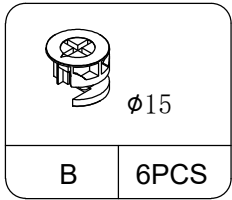
	$\phi 15$
B	4PCS



STEP 15

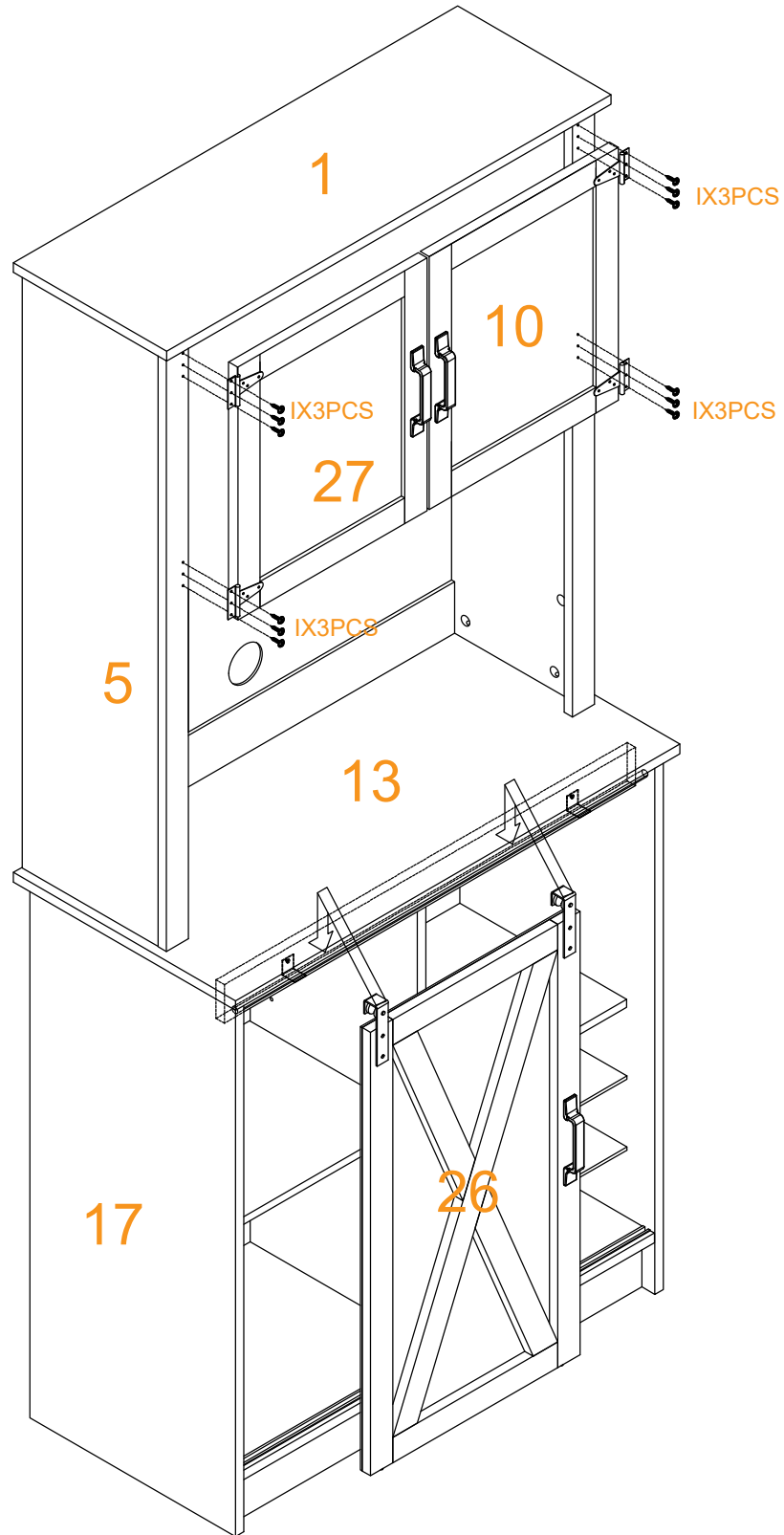
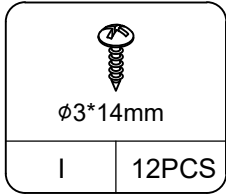


STEP 16

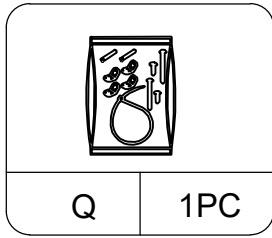


Important
2 people required
2 personnes requises
2 personas requeridas

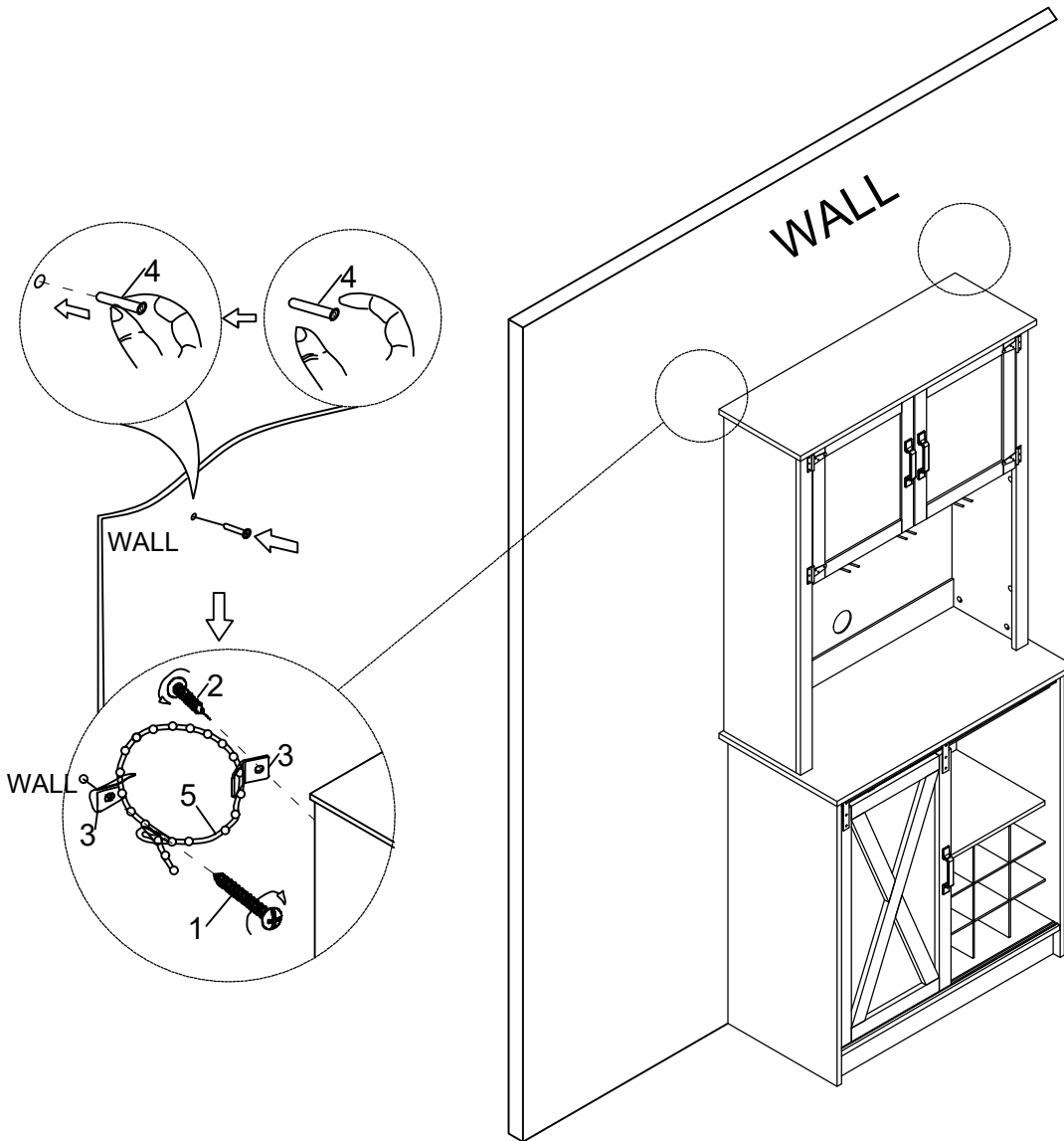
STEP 17



STEP 19



PART LIST	FIGURE	QUANTITY	DESCRIPTION
1		2PC	LONG SCREW (Dia.4mmX38mmL)
2		2PC	SHORT SCREW (Dia.4mmX19mmL)
3		4PC	METAL "L" BRACKET
4		2PC	PLASTIC ANCHOR
5		2PC	CABLE



Follow the instructions printed on the plastic bag containing the tipping restraint hardware to attach the tip-over restraints to the unit and the wall.
NOTE: The tipping restraint hardware included is for drywall construction. It will be necessary to drill holes for the wall anchors. Depending upon your wall construction, different anchor hardware may be required.
 Please contact your local hardware store for assistance.