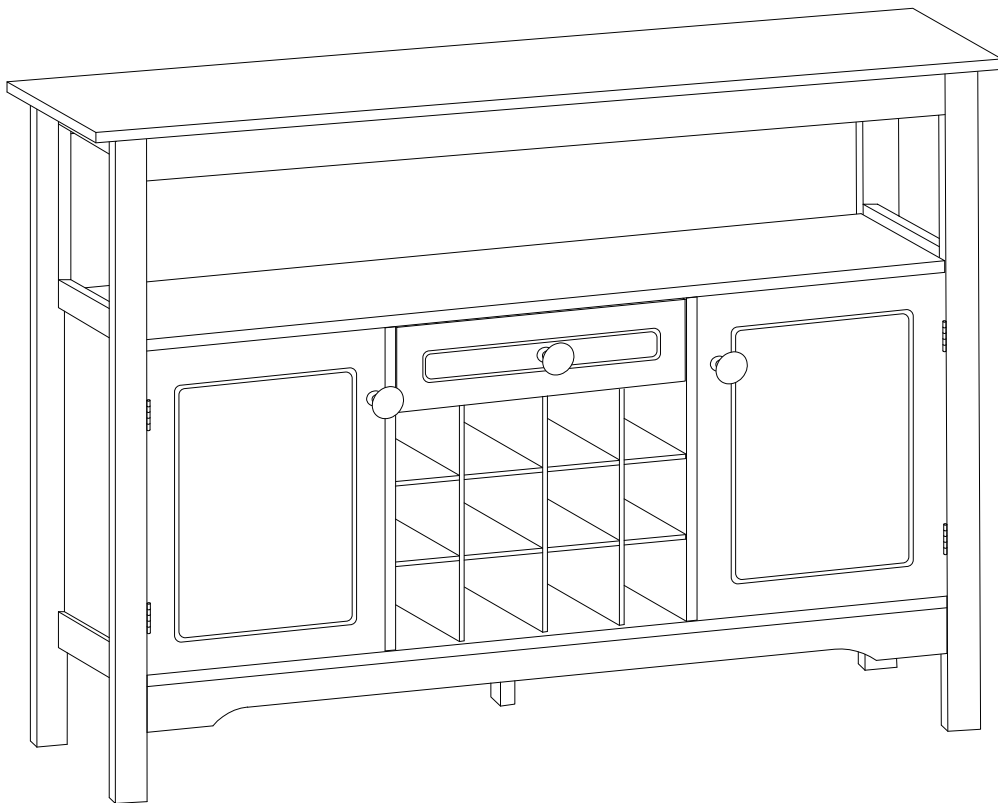


ASSEMBLY INSTRUCTION

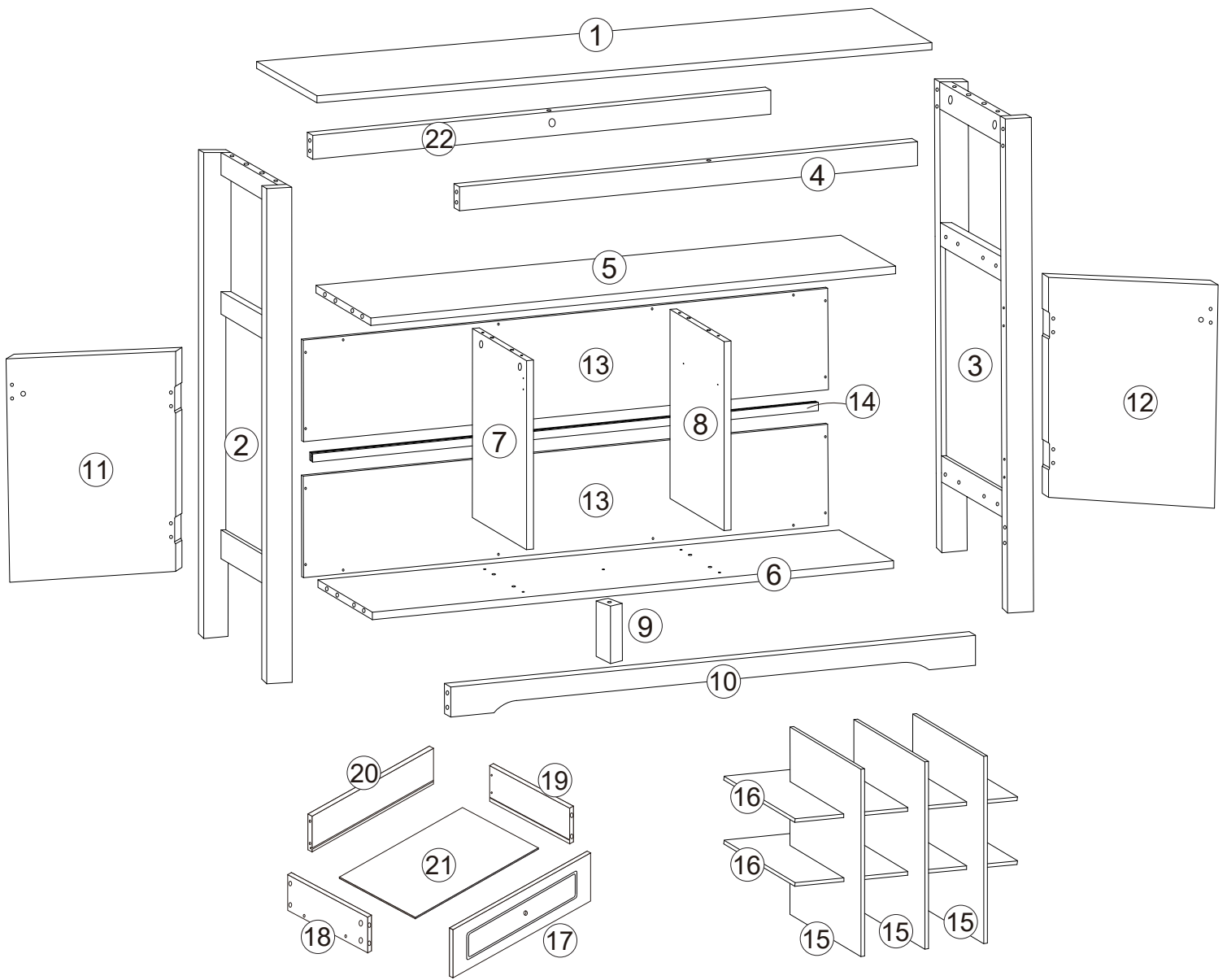


ATTENTION:

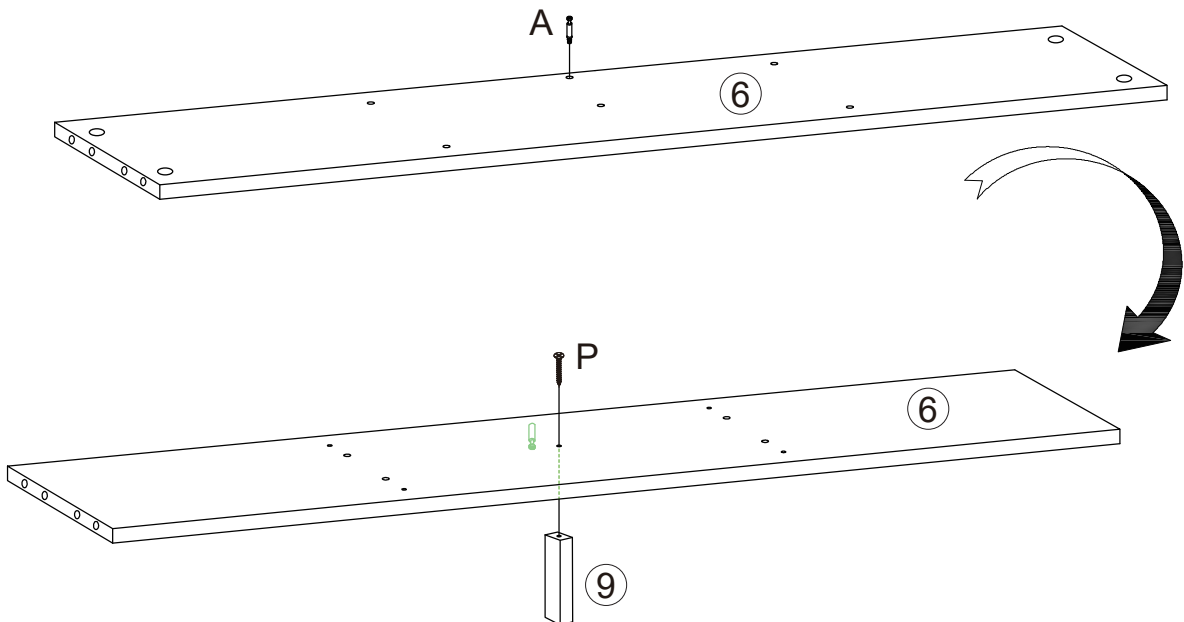
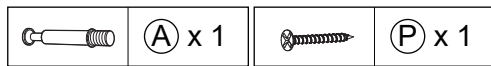
1. Please check the manual carefully and make sure you have received all the parts.
2. If there is any missing, please let us know the letter of the parts you need.
3. If there is any damage, please send clear photos to us,
we will check and offer you best solution soon.

PART AND HARDWARE LIST

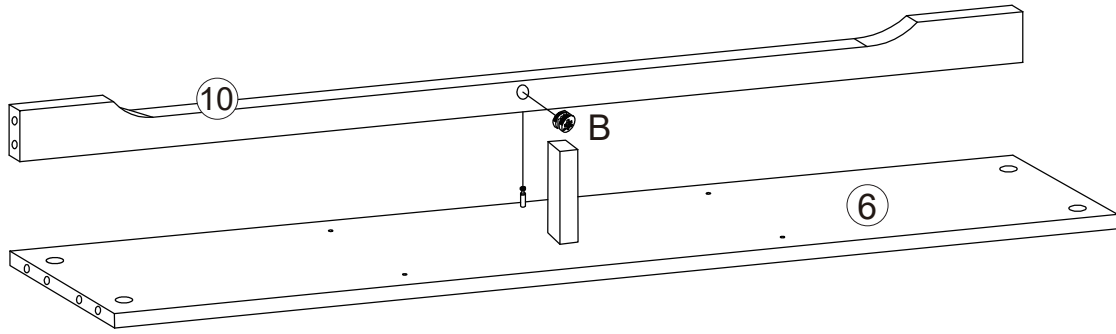
①	x1	②	x1	③	x1	④	x1
⑤	x1	⑥	x1	⑦	x1	⑧	x1
⑨	x1	⑩	x1	⑪	x1	⑫	x1
⑬	x2	⑭	x1	⑮	x3	⑯	x2
⑰	x1	⑱	x1	⑲	x1	⑳	x1
㉑	x1	㉒	x1				
				4x16mm			
						3x12mm	
A	x21	B	x21	C	x32	D	x3
3x14mm				2.5x10mm		4x35mm	
H	x4	I	x2	J	x16	K	x2
		4x30mm					
O	x1	P	x9	Q	x1	R	x1
				S		x1	
				T		x1	



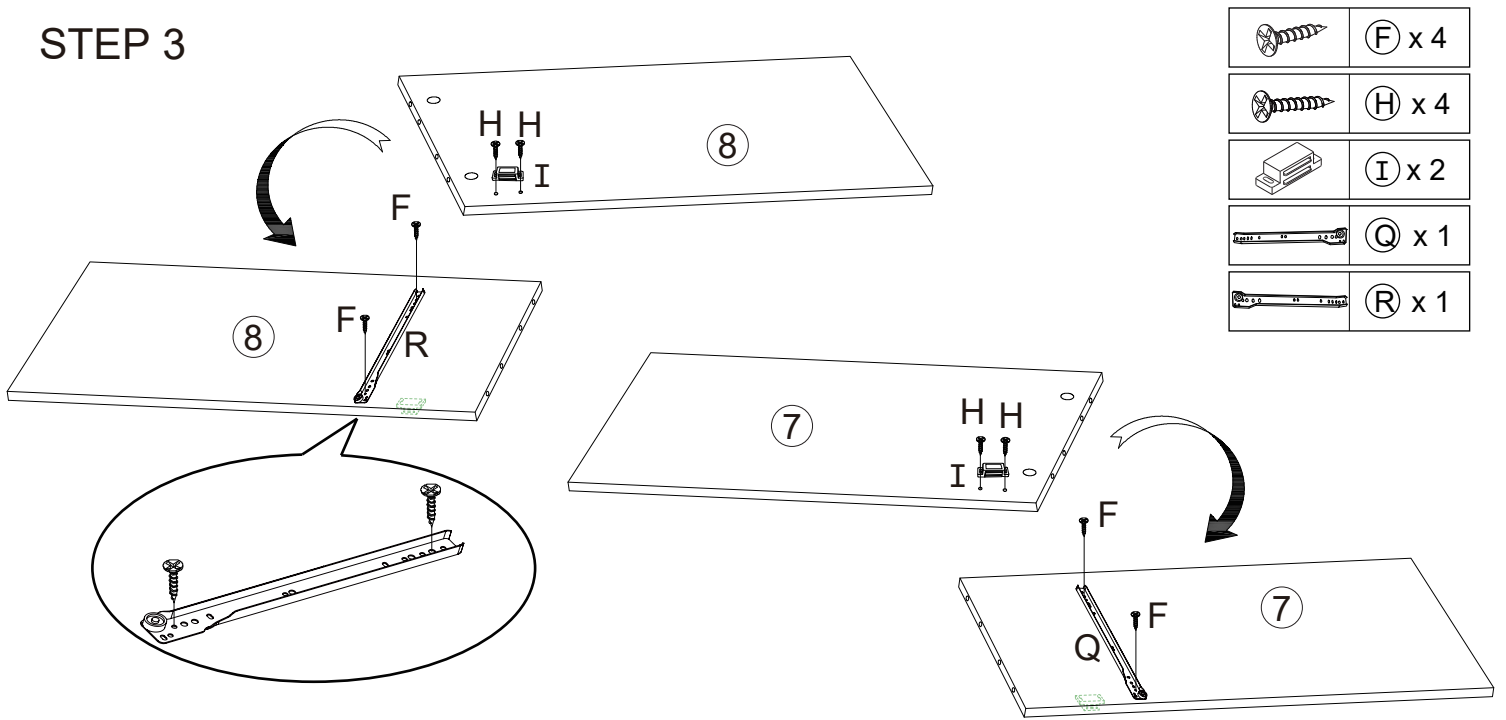
STEP 1



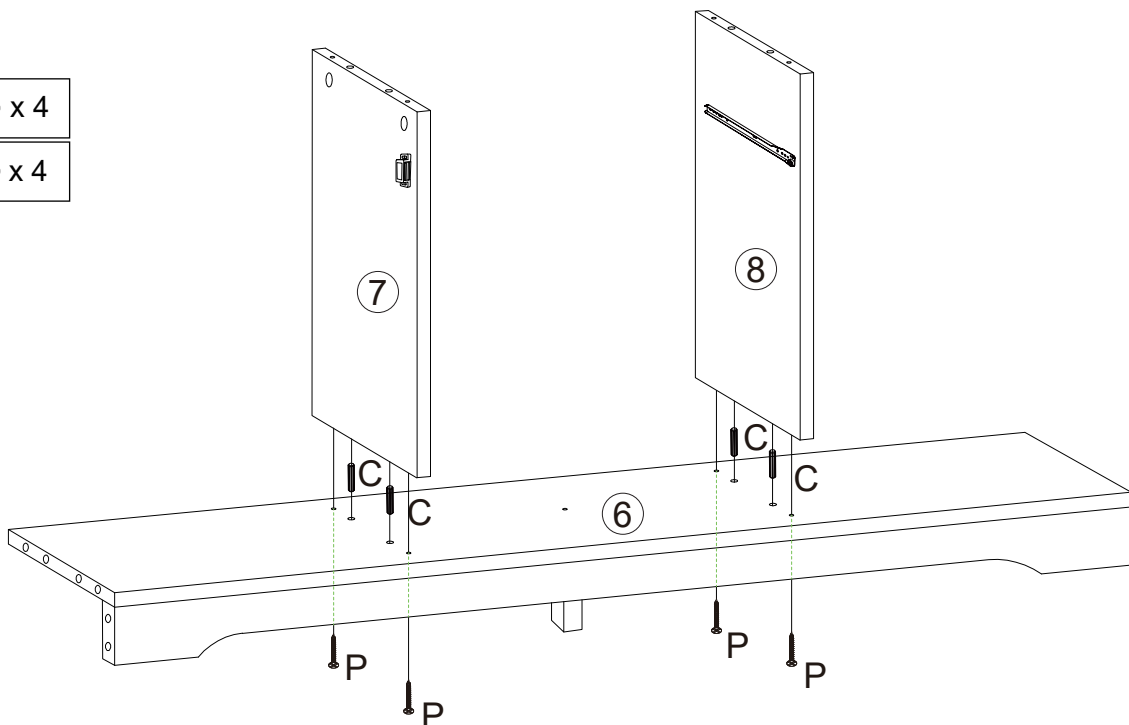
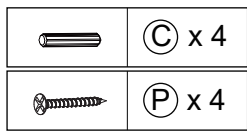
STEP 2



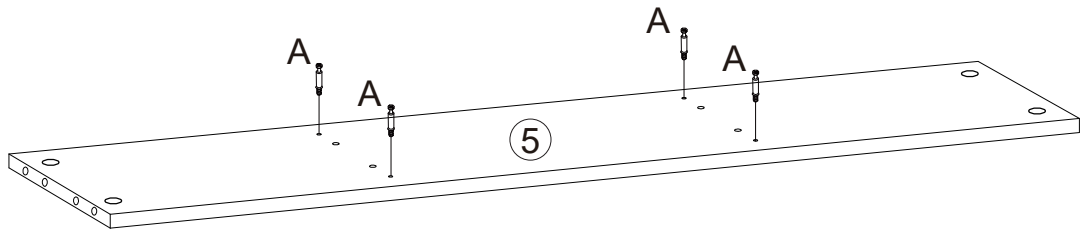
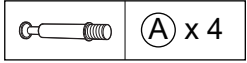
STEP 3



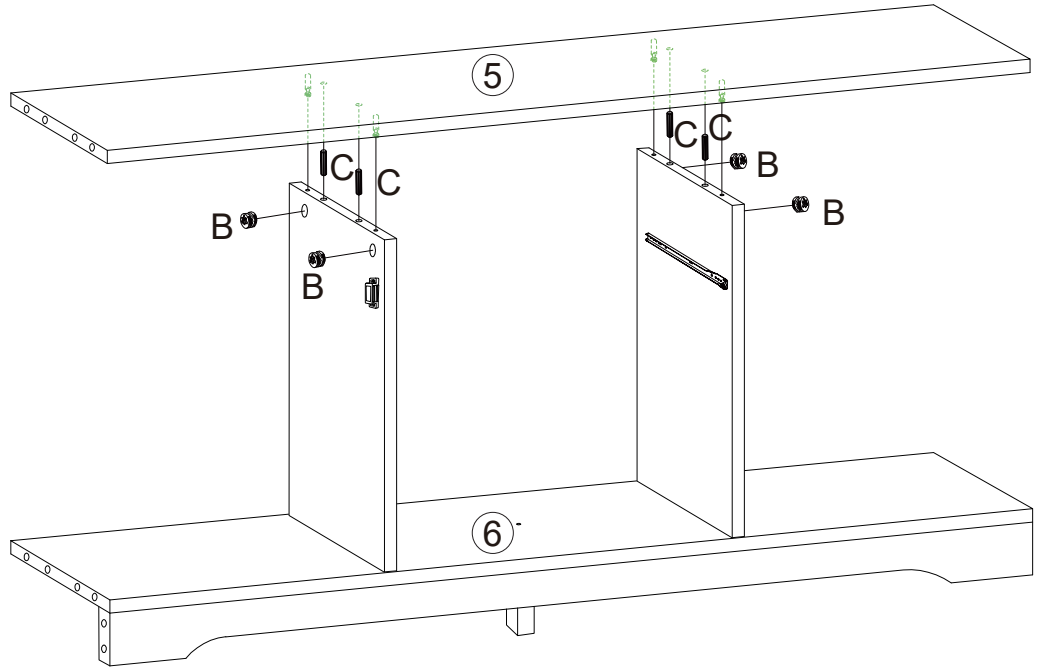
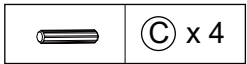
STEP 4



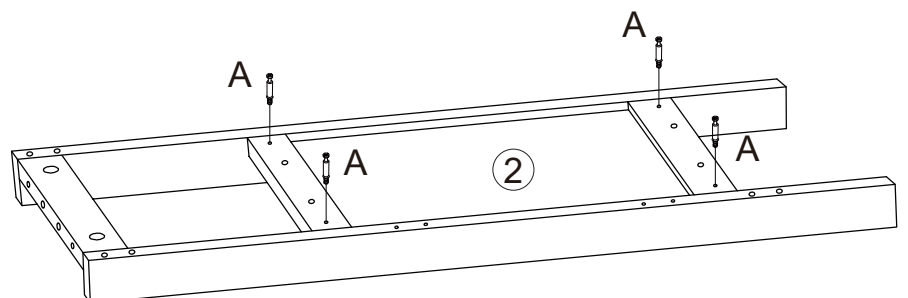
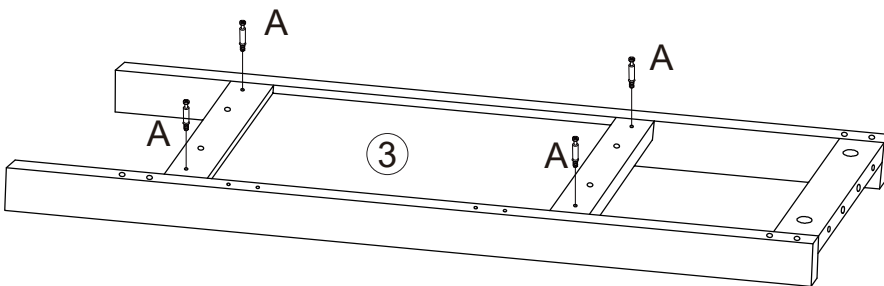
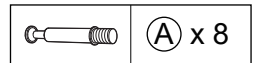
STEP 5





STEP 6

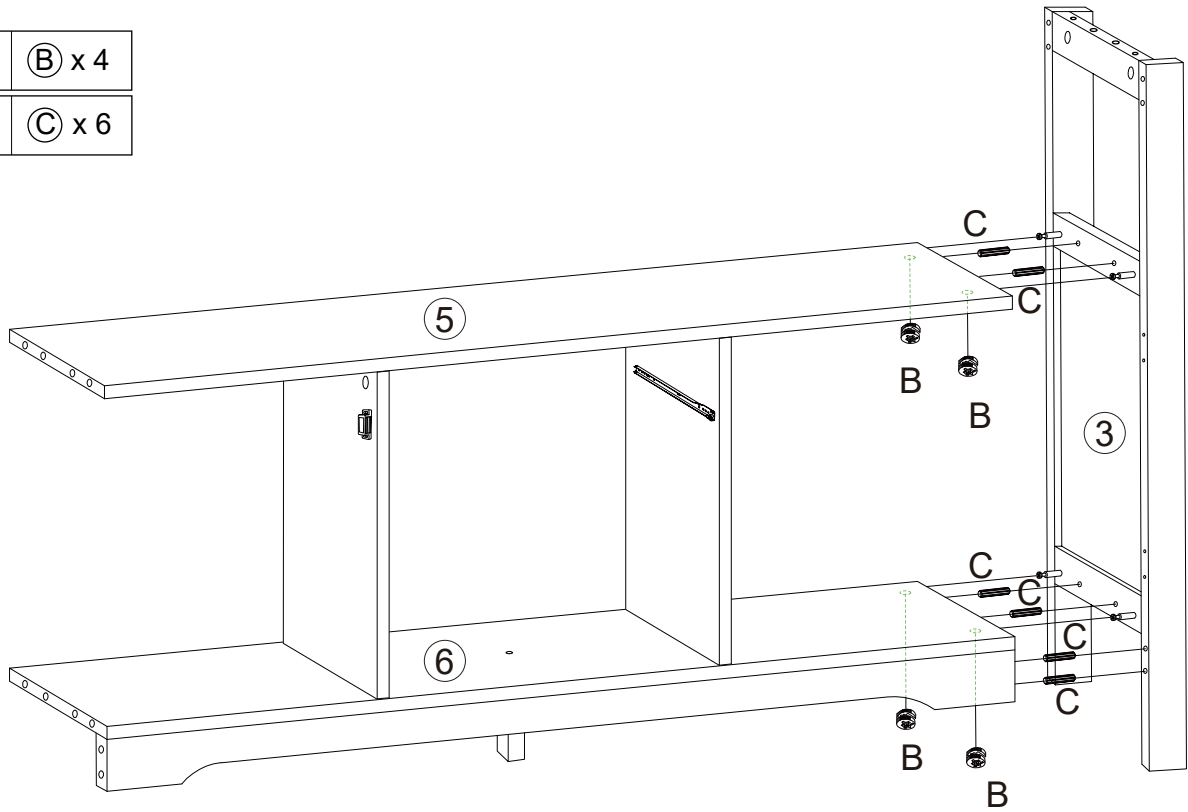


STEP 7





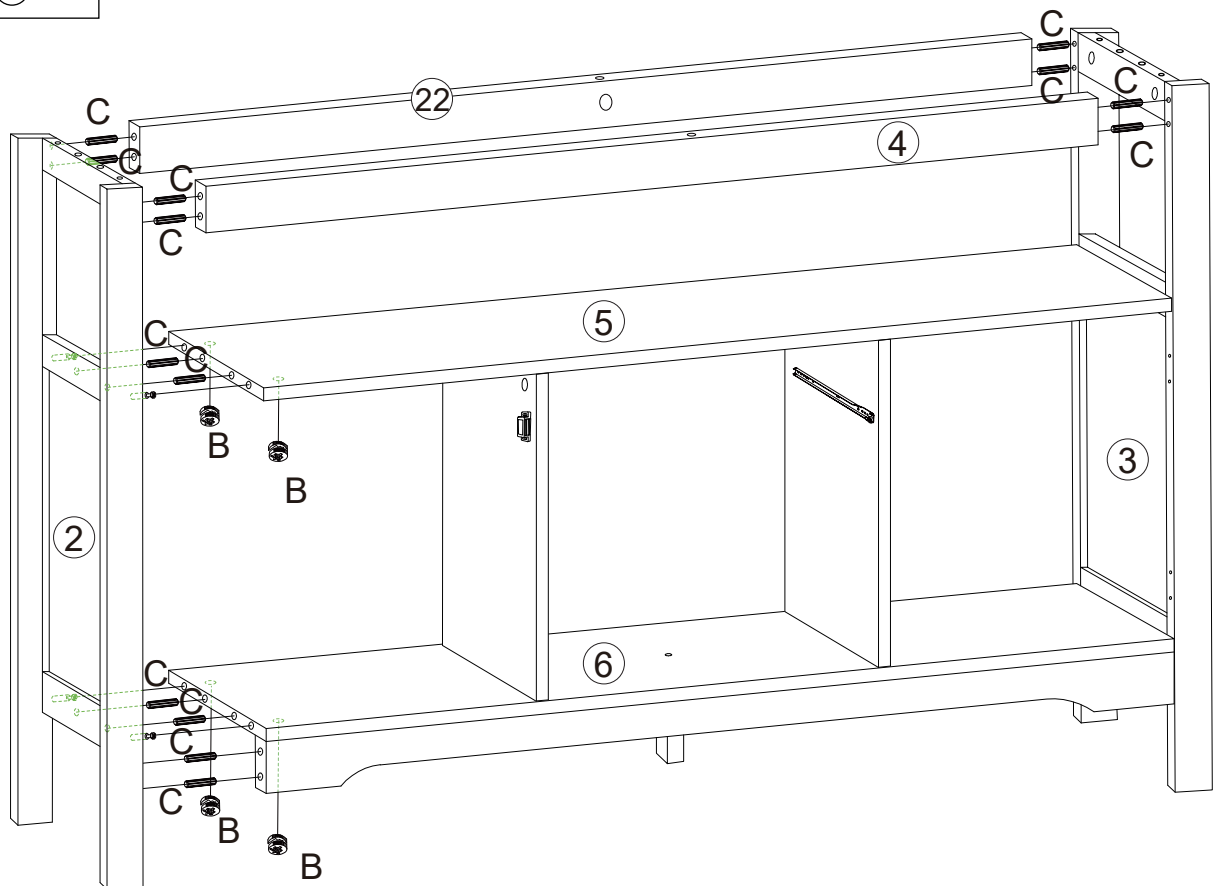
STEP 8

	(B) x 4
	(C) x 6

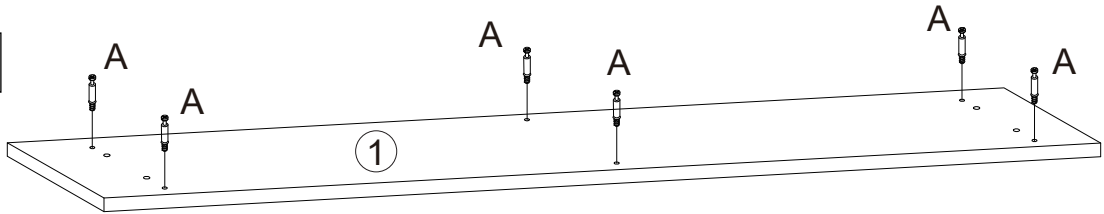
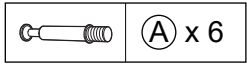


STEP 9

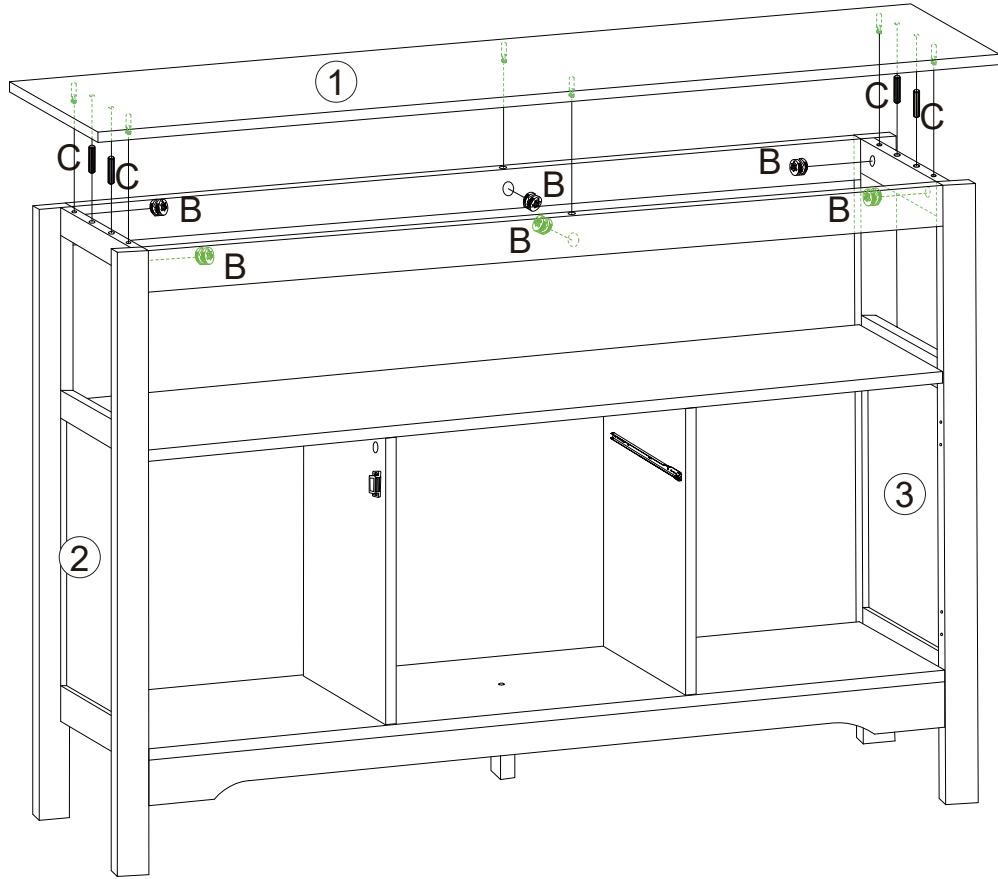
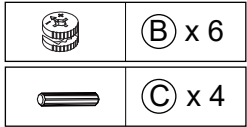
	(B) x 4
	(C) x 14



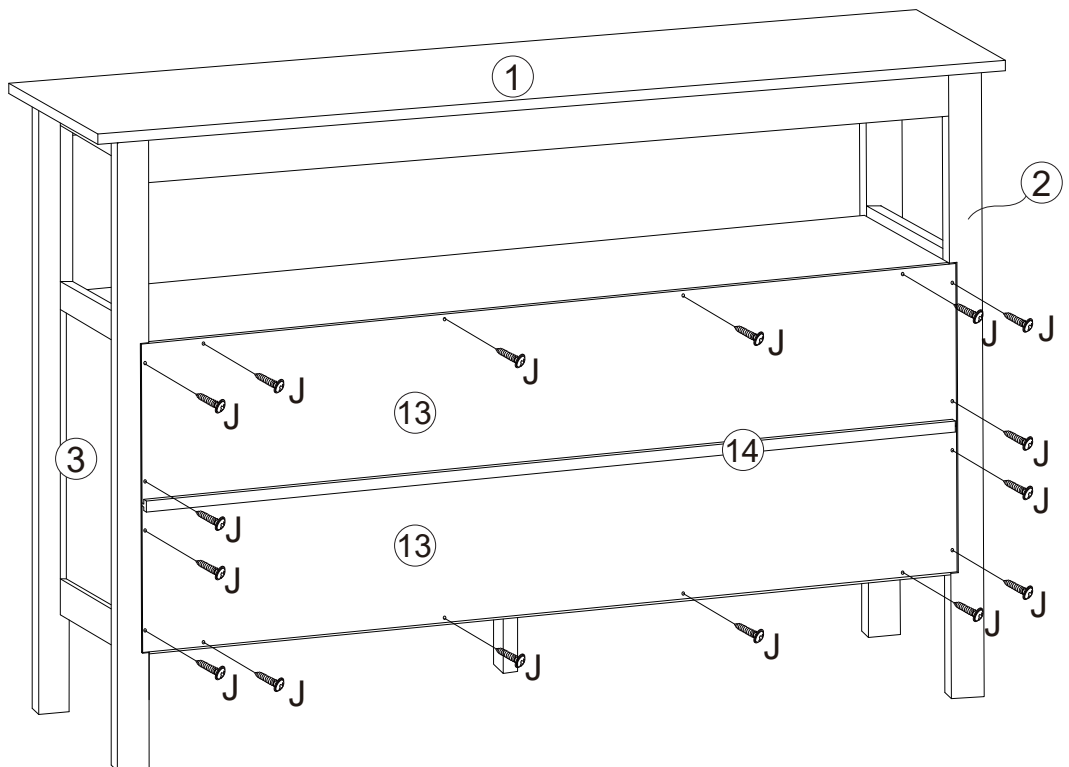
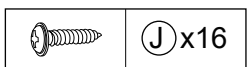
STEP 10








STEP 11

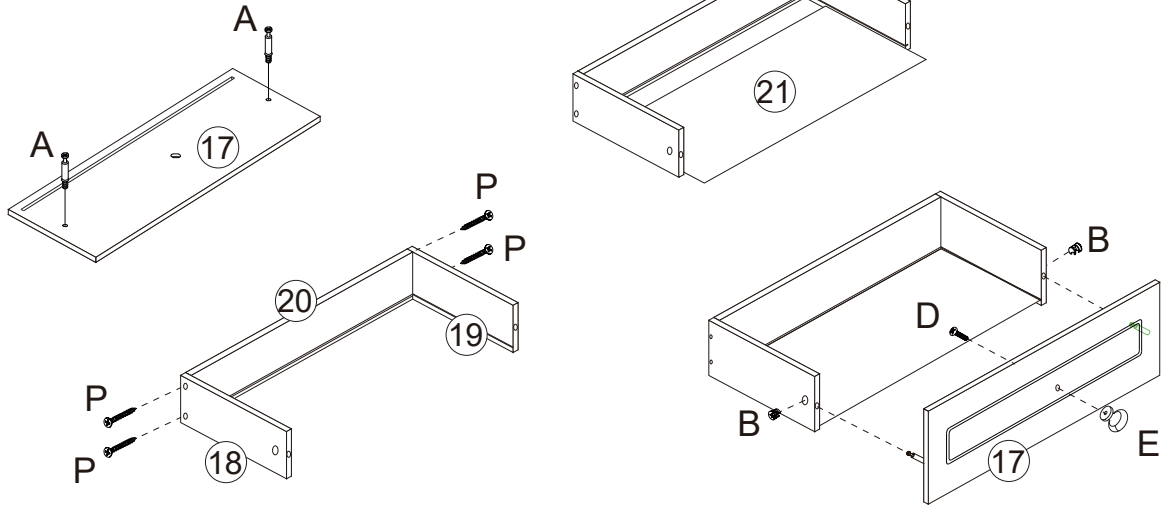


STEP 12



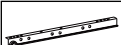


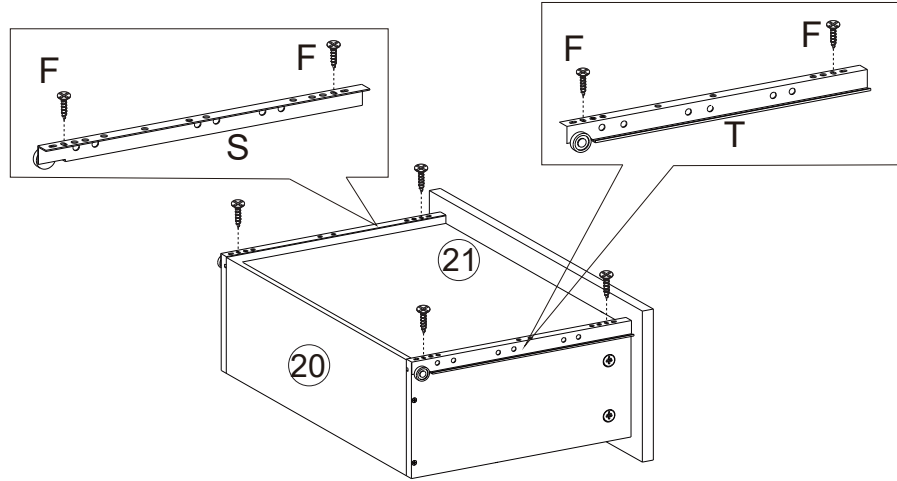
STEP 13

	(A) x 2
	(B) x 2
	(D) x 1
	(E) x 1
	(P) x 4




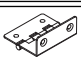



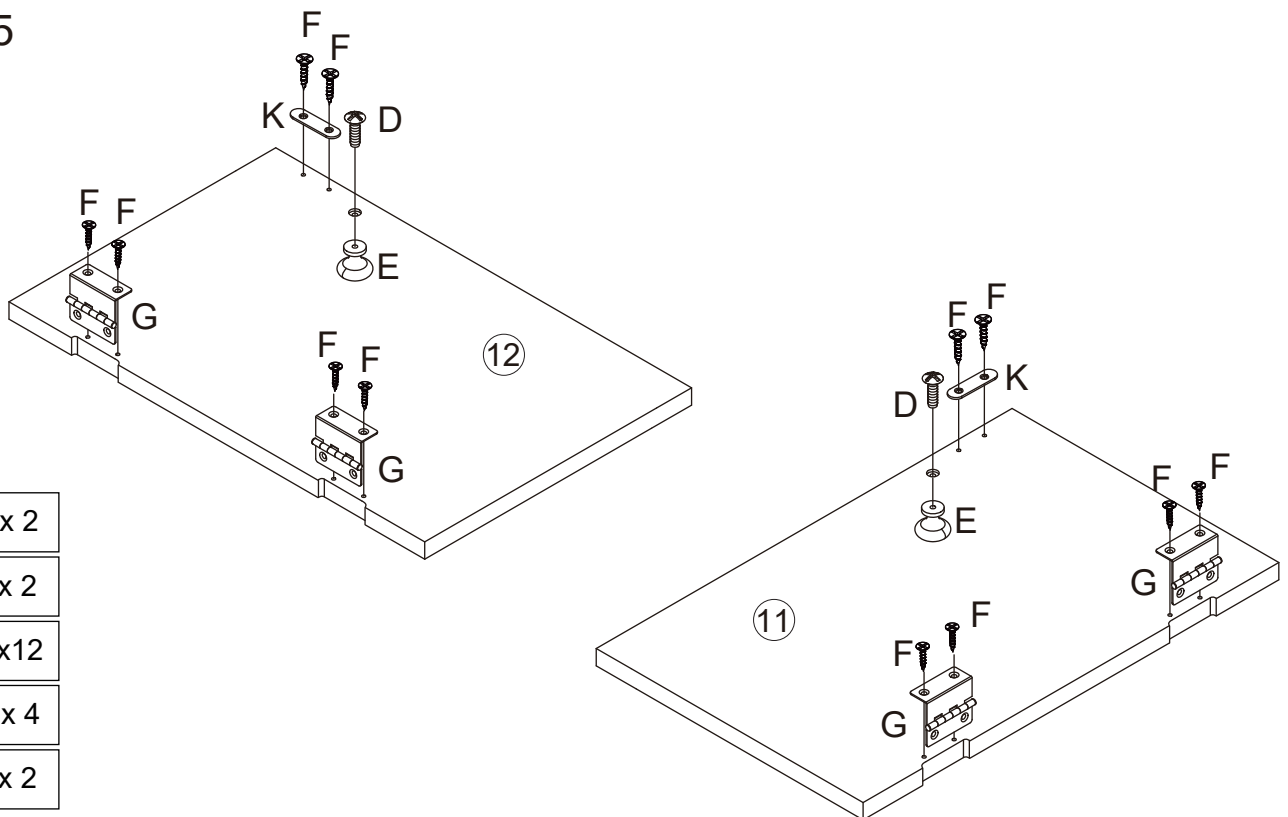
STEP 14

	(F) x 4
	(S) x 1
	(T) x 1

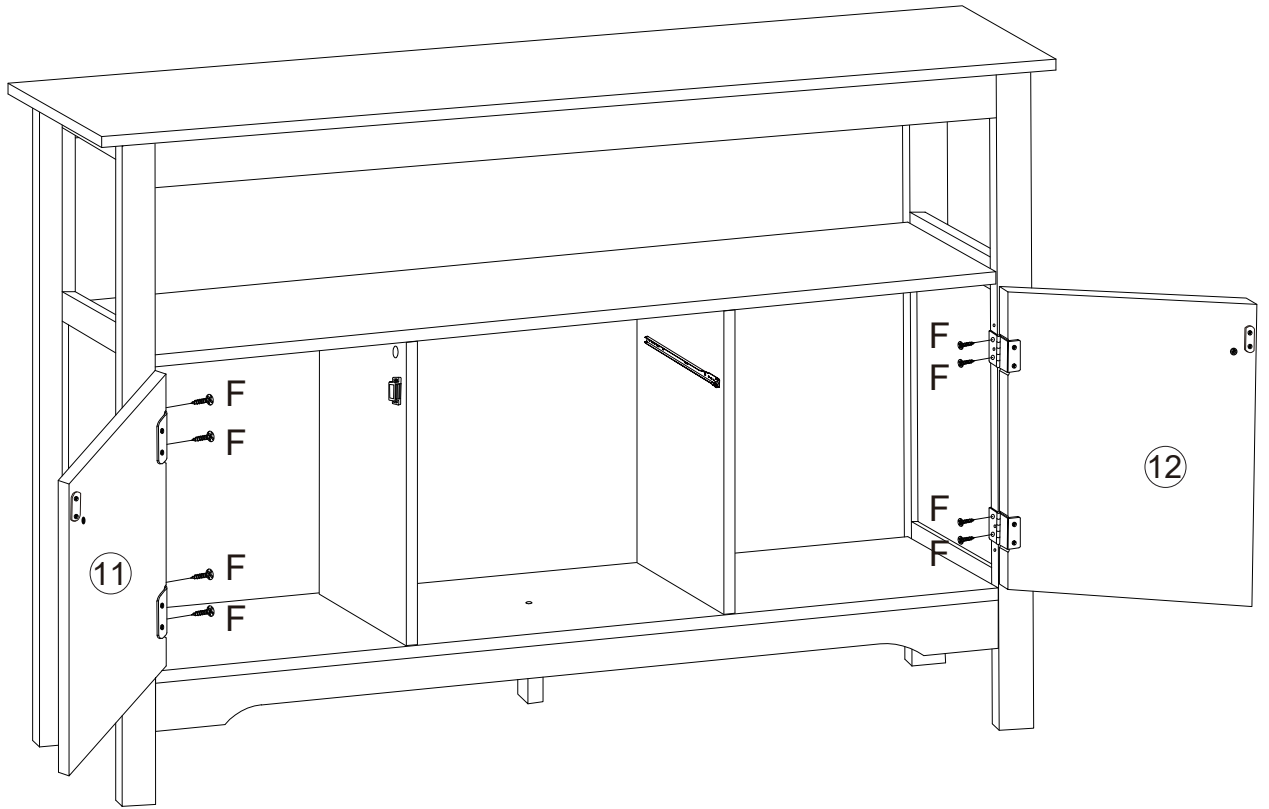
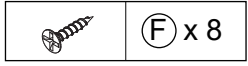


STEP 15

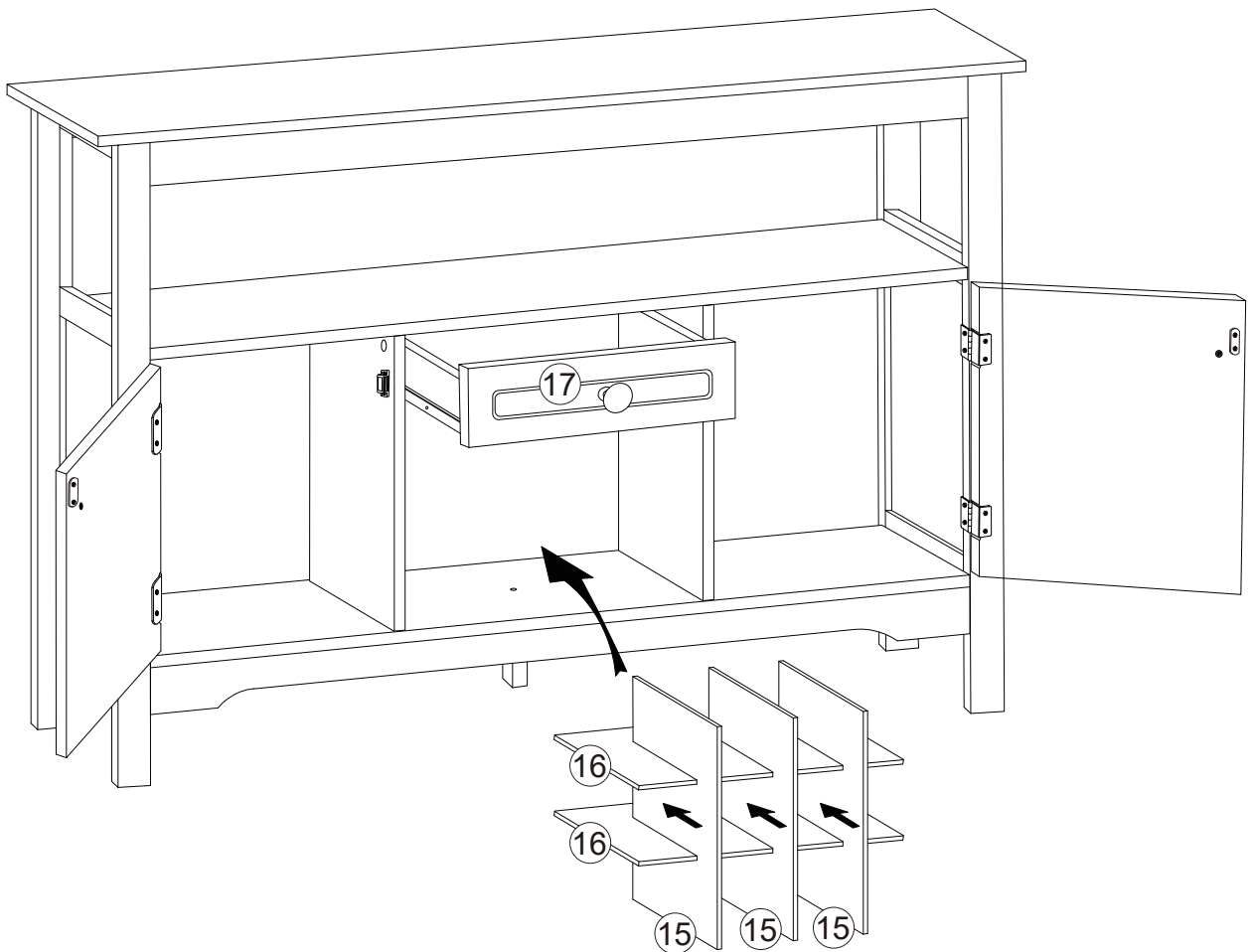
	(D) x 2
	(E) x 2
	(F) x 12
	(G) x 4
	(K) x 2



STEP 16



STEP 17



STEP 18

