



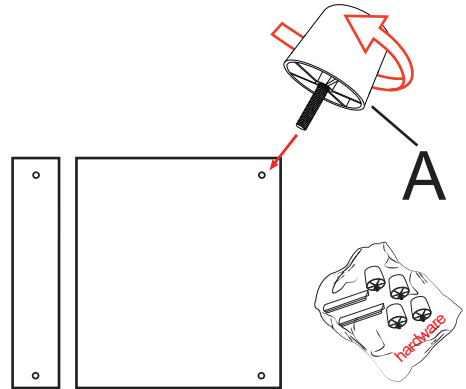
# ASSEMBLY INSTRUCTION

Please follow below Assembly Procedures step by step.

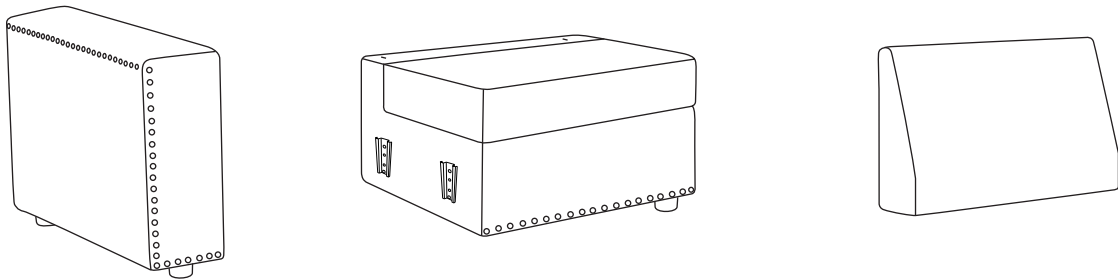
## HARDWARE LIST

| NO. | DESCRIPTION   | QTY (pcs) |
|-----|---|-----------|
| A   |  leg | 4         |
| B   |      | 2         |

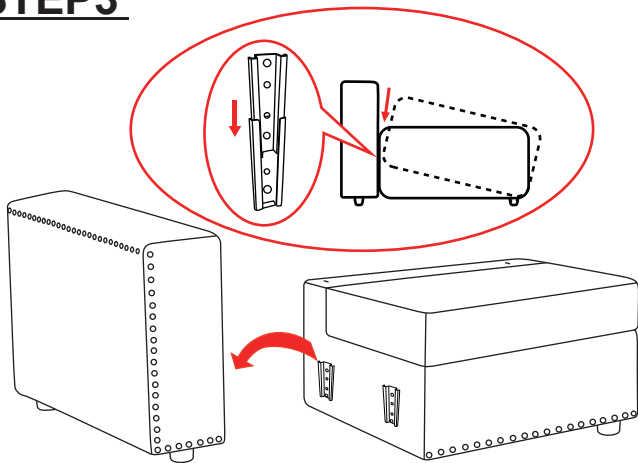
## STEP1



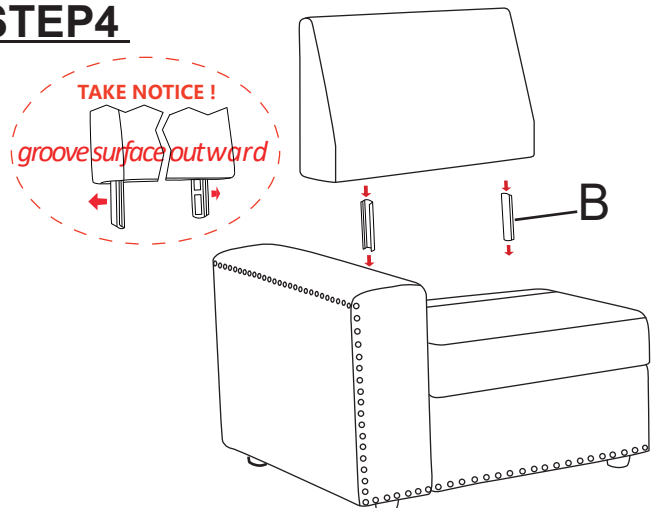
## STEP2



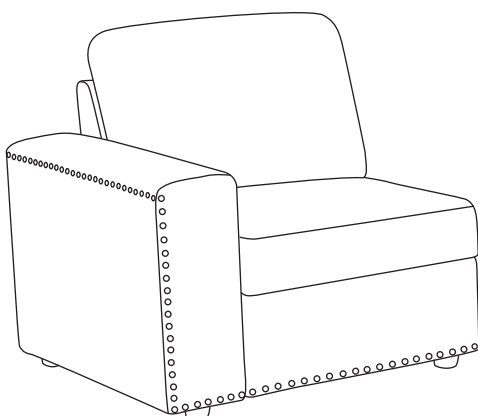
## STEP3



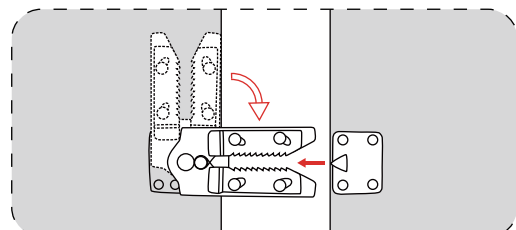
## STEP4




## STEP5





## MORE



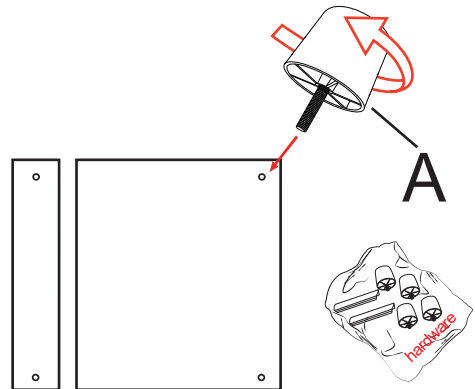
 The connector is at the bottom of the seat

# ASSEMBLY INSTRUCTION

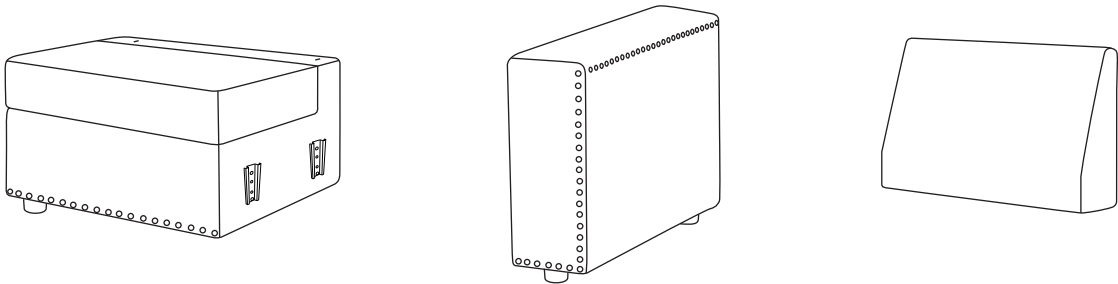
Please follow below Assembly Procedures step by step.

| HARDWARE LIST |   |           |  |
|---------------|---|-----------|--|
| NO.           | DESCRIPTION   | QTY (pcs) |  |
| A             |  leg | 4         |  |
| B             |      | 2         |  |

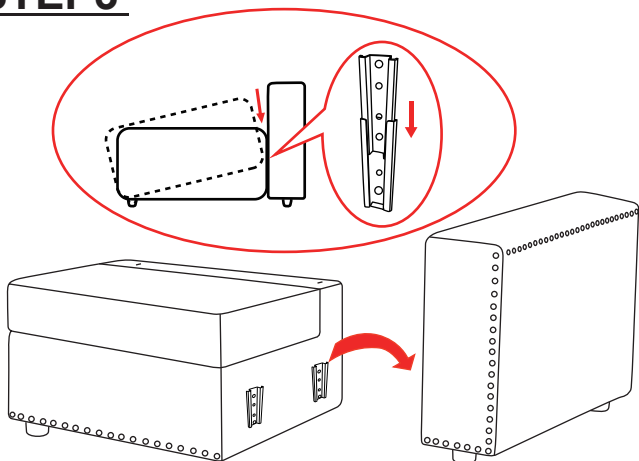
## STEP1



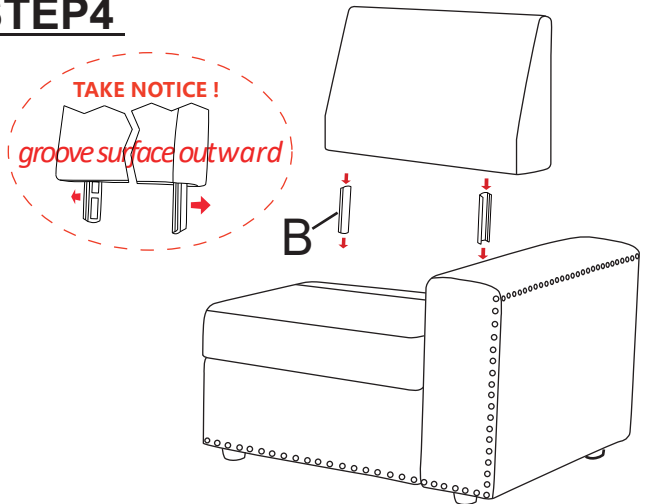
## STEP2



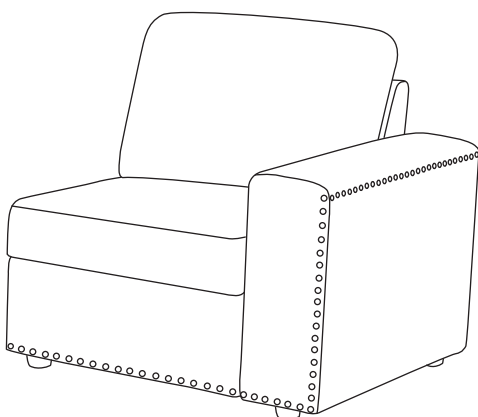
## STEP3



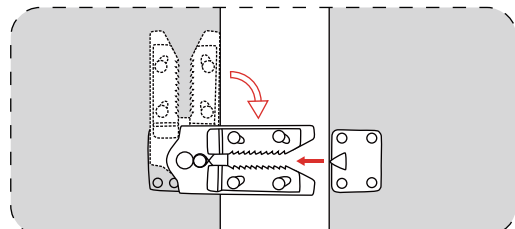
## STEP4




## STEP5





## MORE



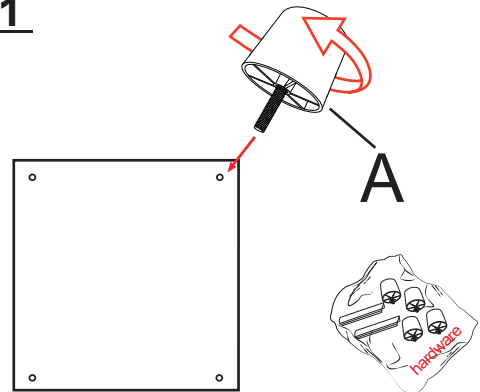
 The connector is at the bottom of the seat

# ASSEMBLY INSTRUCTION

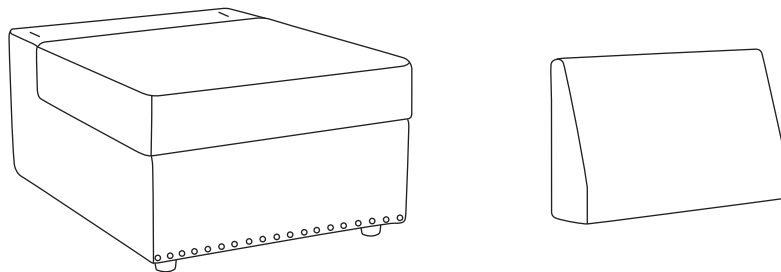
Please follow below Assembly Procedures step by step.

| HARDWARE LIST |   |           |  |
|---------------|---|-----------|--|
| NO.           | DESCRIPTION   | QTY (pcs) |  |
| A             |  leg | 4         |  |
| B             |      | 2         |  |

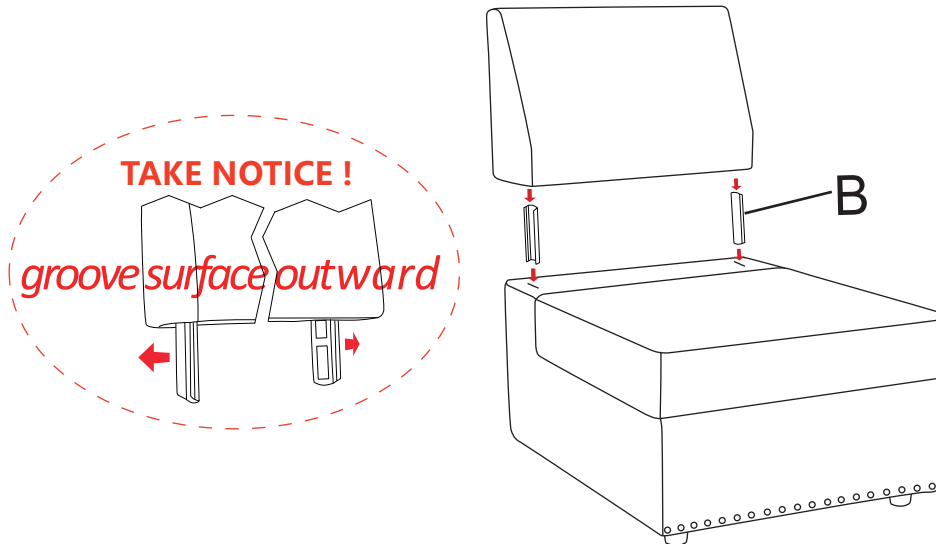
## STEP1



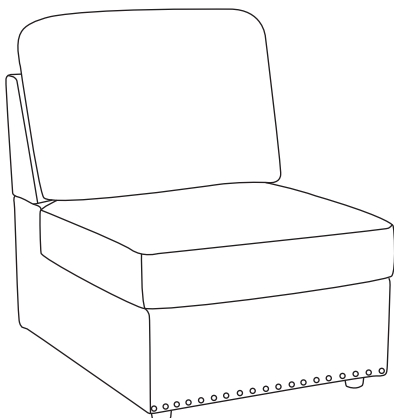
## STEP2



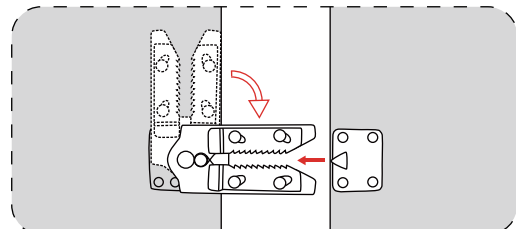
## STEP3




## STEP4





## MORE



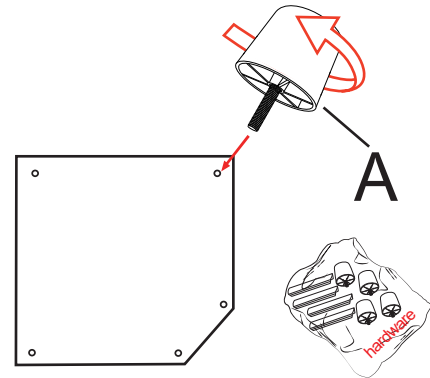
 The connector is at the bottom of the seat

# ASSEMBLY INSTRUCTION

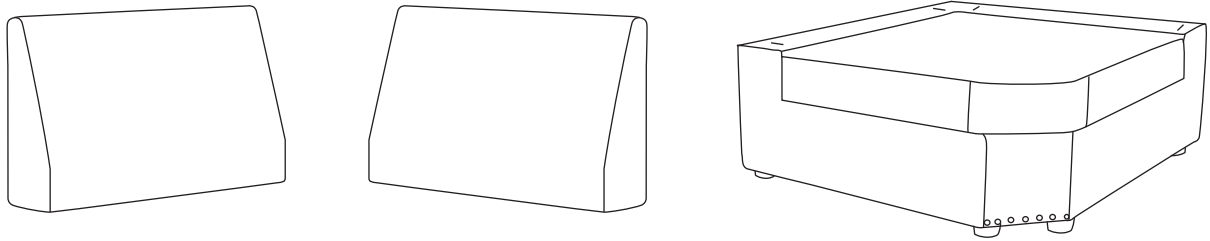
Please follow below Assembly Procedures step by step.

| HARDWARE LIST |   |           |  |
|---------------|---|-----------|--|
| NO.           | DESCRIPTION   | QTY (pcs) |  |
| A             |  leg | 5         |  |
| B             |      | 4         |  |

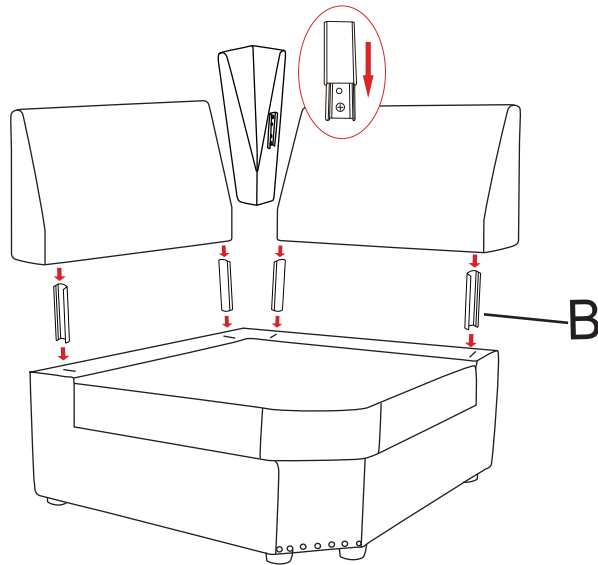
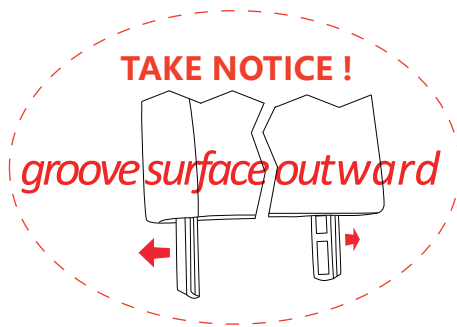
## STEP1



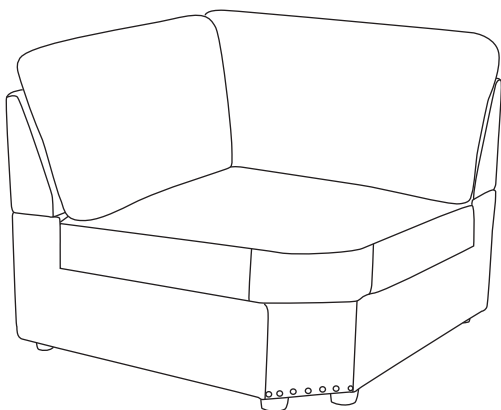
## STEP2



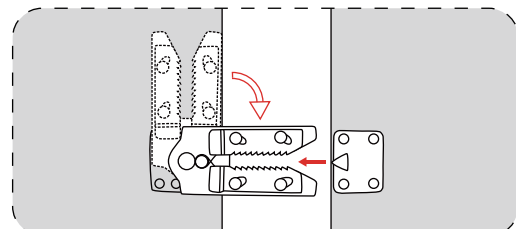
## STEP3




## STEP4





## MORE



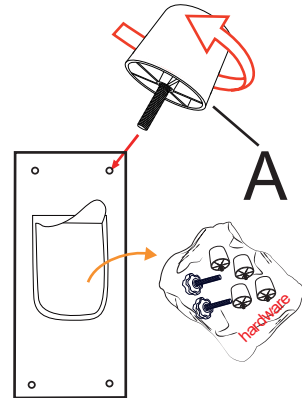
 The connector is at the bottom of the seat

# ASSEMBLY INSTRUCTION

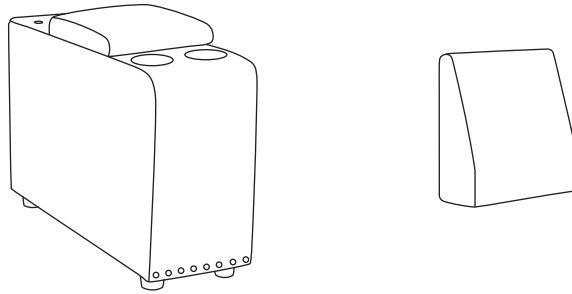
Please follow below Assembly Procedures step by step.

| HARDWARE LIST |   |           |  |
|---------------|---|-----------|--|
| NO.           | DESCRIPTION   | QTY (pcs) |  |
| A             |  leg | 4         |  |
| B             |      | 2         |  |

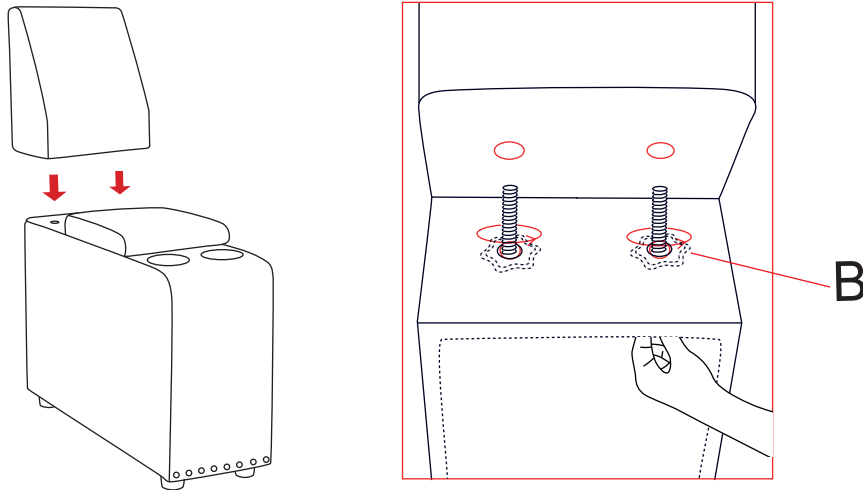
## STEP1



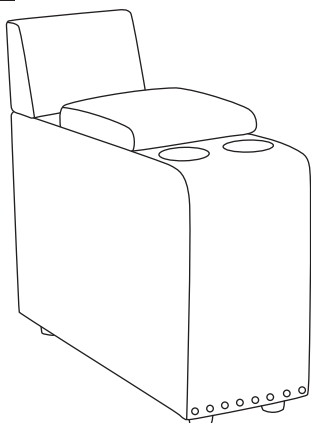
## STEP2



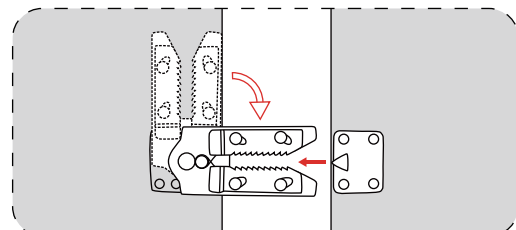
## STEP3




## STEP4




## MORE



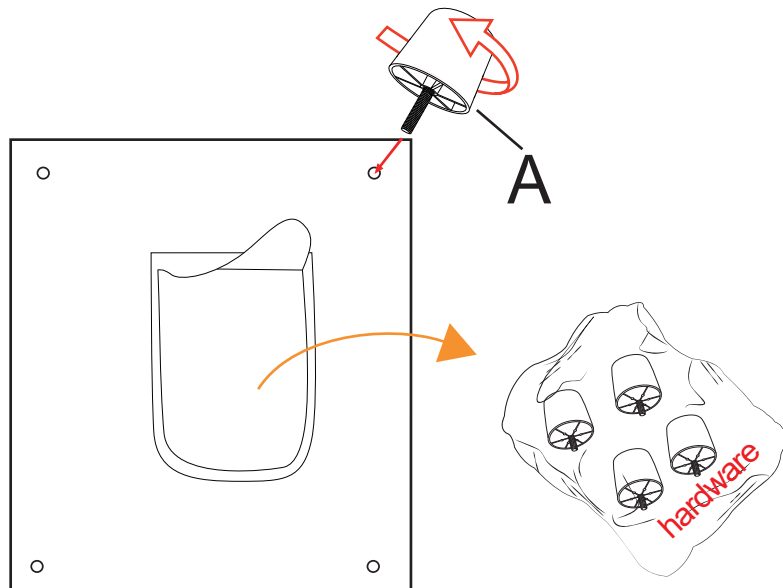
 The connector is at the bottom of the seat

# ASSEMBLY INSTRUCTION

Please follow below Assembly Procedures step by step.

| HARDWARE LIST |   |           |  |
|---------------|---|-----------|--|
| NO.           | DESCRIPTION   | QTY (pcs) |  |
| A             |  leg | 4         |  |

## STEP1



## STEP2

