

## TWIN XL ASSEMBLY INSTRUCTIONS

Before assembling your bed frame, please read through these instructions carefully and familiarize yourself with the different parts.

**ATTENTION!** If you receive a damaged or defective item, please contact us.

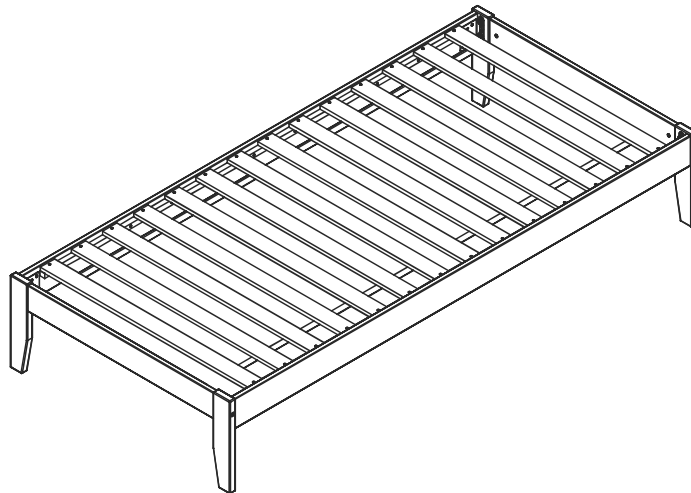
### PARTS LIST

- |   |                         |               |
|---|-------------------------|---------------|
| 1 | <b>RIGHT LEG</b>        | <b>2 PCS</b>  |
| 2 | <b>LEFT LEG</b>         | <b>2 PCS</b>  |
| 3 | <b>FOOT / HEAD RAIL</b> | <b>2 PCS</b>  |
| 4 | <b>SIDE RAIL</b>        | <b>2 PCS</b>  |
| 5 | <b>SLAT KIT</b>         | <b>2 SETS</b> |

### HARDWARE

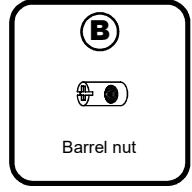
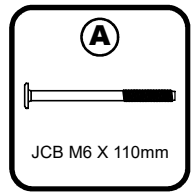
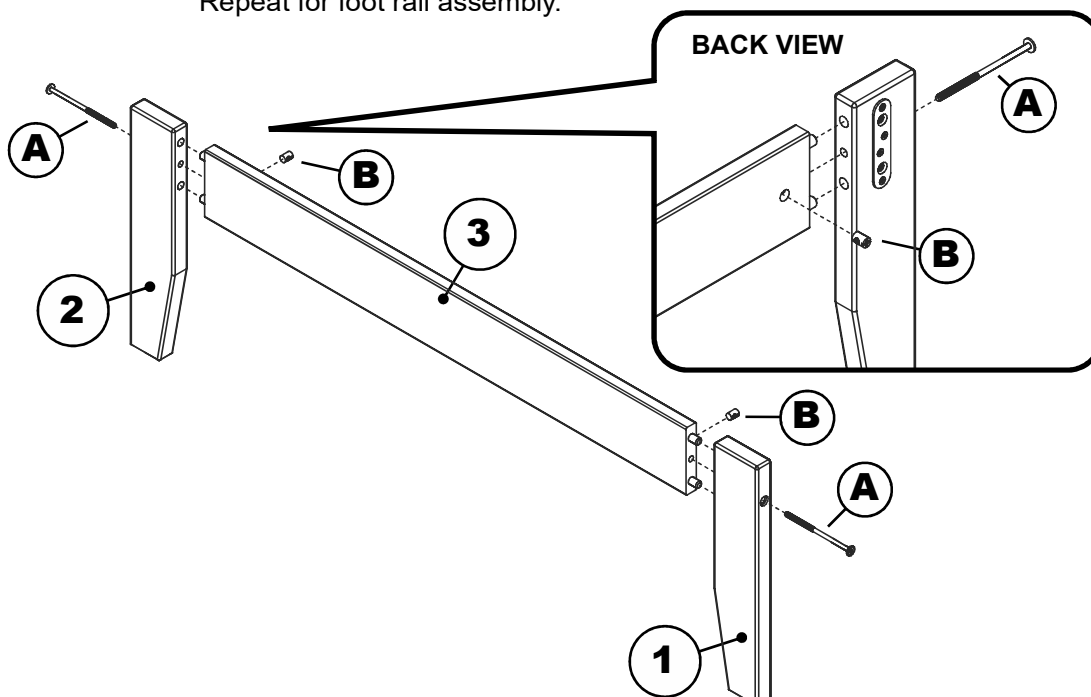
- |          |   |          |   |
|----------|---|----------|---|
| <b>A</b> | JCB M6 X 110mm (4 3/8") - 4 pcs<br>Spare - 1 pc | <b>F</b> | Allen wrench M4 - 1pc<br>Spare - 1pc                                |
| <b>B</b> | Barrel nut - 4 pcs                              | <b>E</b> | Allen wrench M6 - 1pc   |
| <b>C</b> | JCB M8 X 15mm (5/8") - 8 pcs                    | <b>G</b> | Surface Mount Charger - 1set<br>Screws 1/2" - 2 pcs<br>Spare - 1 pc |
| <b>D</b> | Wood screw(1 1/4") - 28 pcs<br>Spare - 2 pcs    |          |   |

NOTE: WE INCLUDE SPARE HARDWARE IN CASE DAMAGE OCCURS DURING ASSEMBLY.



### Step 1

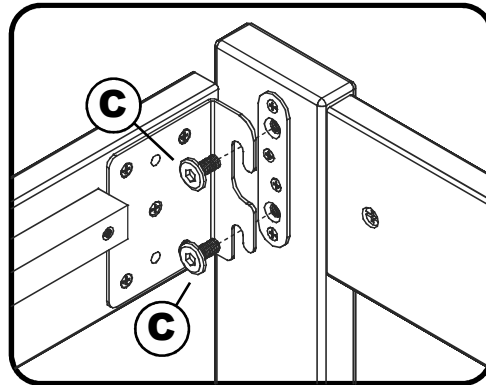
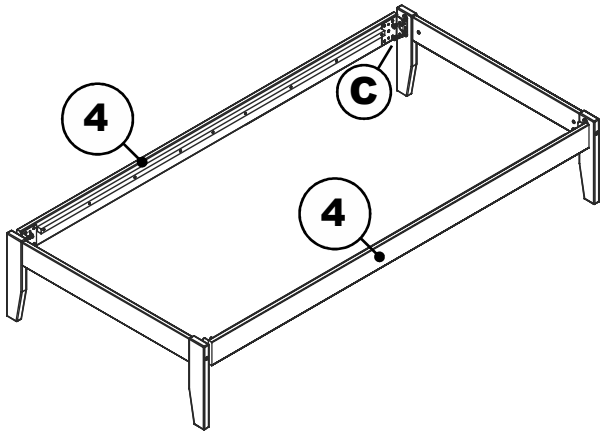
Attach the right leg (1) and left leg (2) to the head rail (3) using JCB M6 X 110mm (A) and barrel nut (B). Tighten with the Allen wrench M4 (F). Repeat for foot rail assembly.



## TWIN XL

### Step 2

Attach the foot rail or head rail to side rails (4) using JCB M8 X 15mm (C). Tighten with the Allen wrench M6 (E).



Adult assembly

C

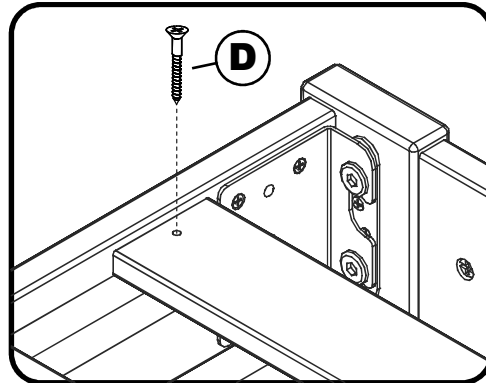
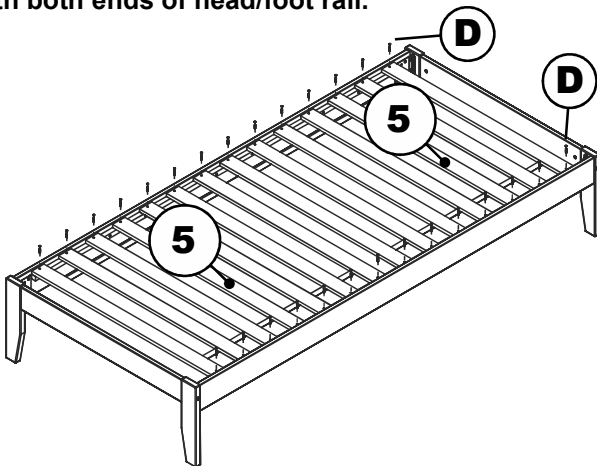


JCB M8 X 15mm

### Step 3

Attach slat kit (5) to the bed frame as shown below using wood screws 1 1/4" (D). Tighten with Phillips head screw driver. (customer supplied)

Be sure to align slat section evenly with both ends of head/foot rail.



Adult assembly

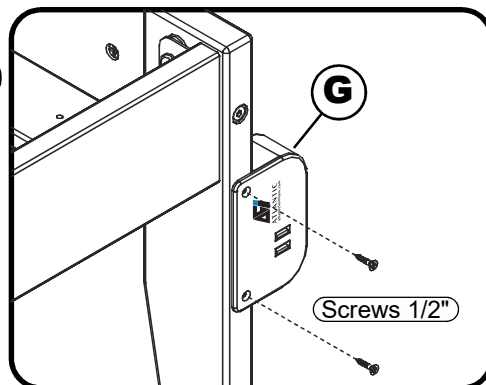
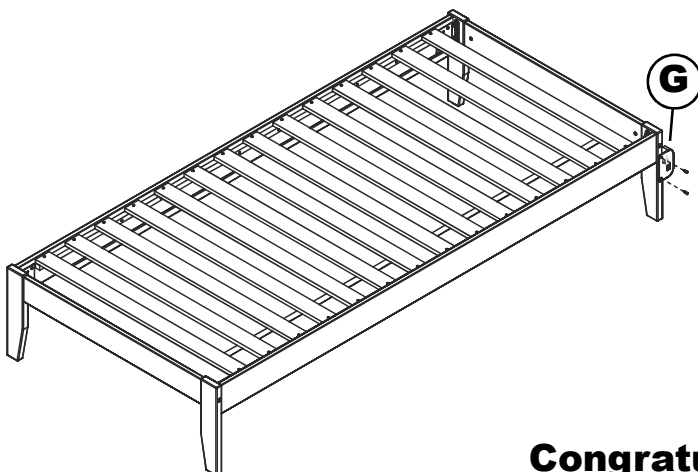
D



Wood screw

### Step 4

Attach the USB charger (G) to the location as shown below using 1/2" screws and tighten with Phillips head screw driver. (customer supplied)



Adult assembly

Screws 1/2"

## Congratulations!

Your bed is now ready for use.

We recommend that you periodically recheck that all screws are tight to ensure lasting safety.