

ASSEMBLY INSTRUCTIONS



BAR UNIT

ASSEMBLY INSTRUCTIONS

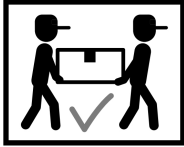
ASSEMBLY TIPS:

1. Remove hardware from box and sort by size.
2. Please check to see that all hardware and parts are present prior to start of assembly.
3. Please follow attached instructions in the same sequence as numbered to assure fast & easy assembly.



WARNING!

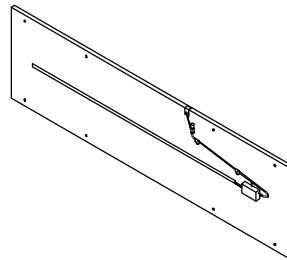
1. Don't attempt to repair or modify parts that are broken or defective. Please contact the store immediately.
2. This product is for home use only and not intended for commercial establishments.



ASSEMBLY TIME 99 MINUTES

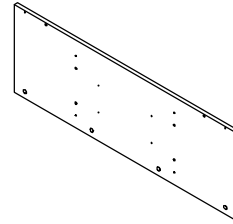
PARTS IDENTIFICATION

A TOP PANEL WITH LIGHT STRIP



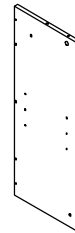
1PC

B MIDDLE PANEL



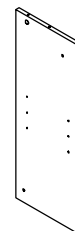
1PC

C BACK RIGHT PANEL



1PC

D BACK LEFT PANEL



1PC

E MIDDLE RIGHT PANEL



1PC

ASSEMBLY INSTRUCTIONS

PARTS IDENTIFICATION

F

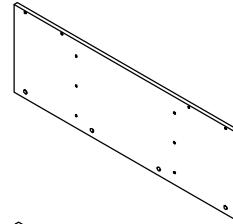
MIDDLE LEFT PANEL



1PC

G

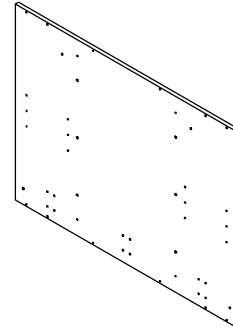
BOTTOM PANEL



1PC

H

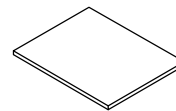
FRONT PANEL



1PC

I

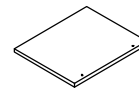
MIDDLE SHELF



1PC

J

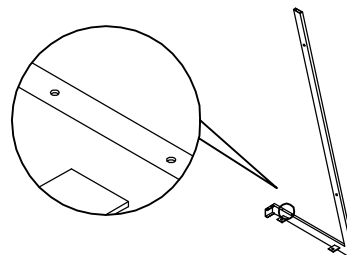
LEFT AND RIGHT SHELF



2PCS

K

BACK RIGHT FRAME

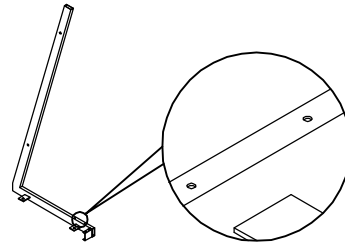


1PC

ASSEMBLY INSTRUCTIONS

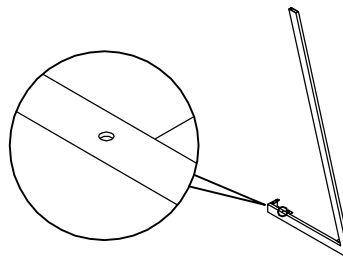
PARTS IDENTIFICATION

L BACK LEFT FRAME



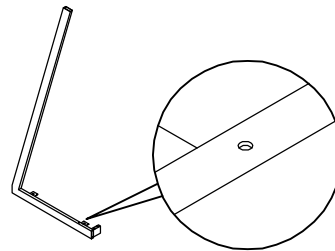
1PC

M FRONT RIGHT FRAME



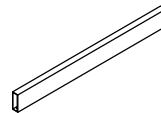
1PC

N FRONT LEFT FRAME



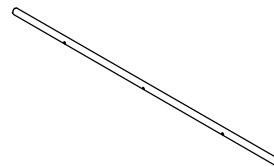
1PC

O TOP CROSSBAR



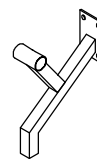
2PCS

P FOOTREST BAR



1PC

Q BOTTOM LEG SUPPORT

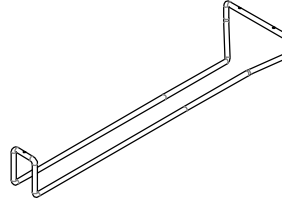


3PCS

ASSEMBLY INSTRUCTIONS

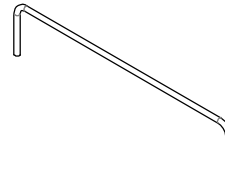
PARTS IDENTIFICATION

R GLASS HOLDER



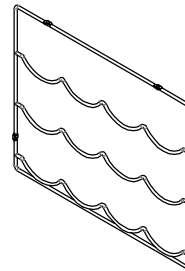
2PCS

S STEEL GUARD



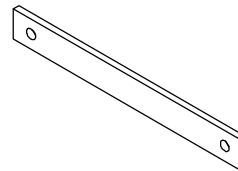
4PCS

T BOTTLE RACK



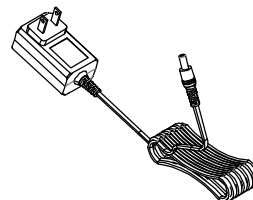
2PCS

U BOTTLE RACK METAL



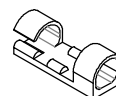
2PCS

V POWER CORD



1PC

A1 POWER CORD CLAMP

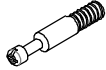




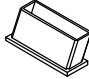
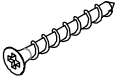

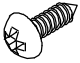

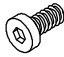









3PCS

ASSEMBLY INSTRUCTIONS

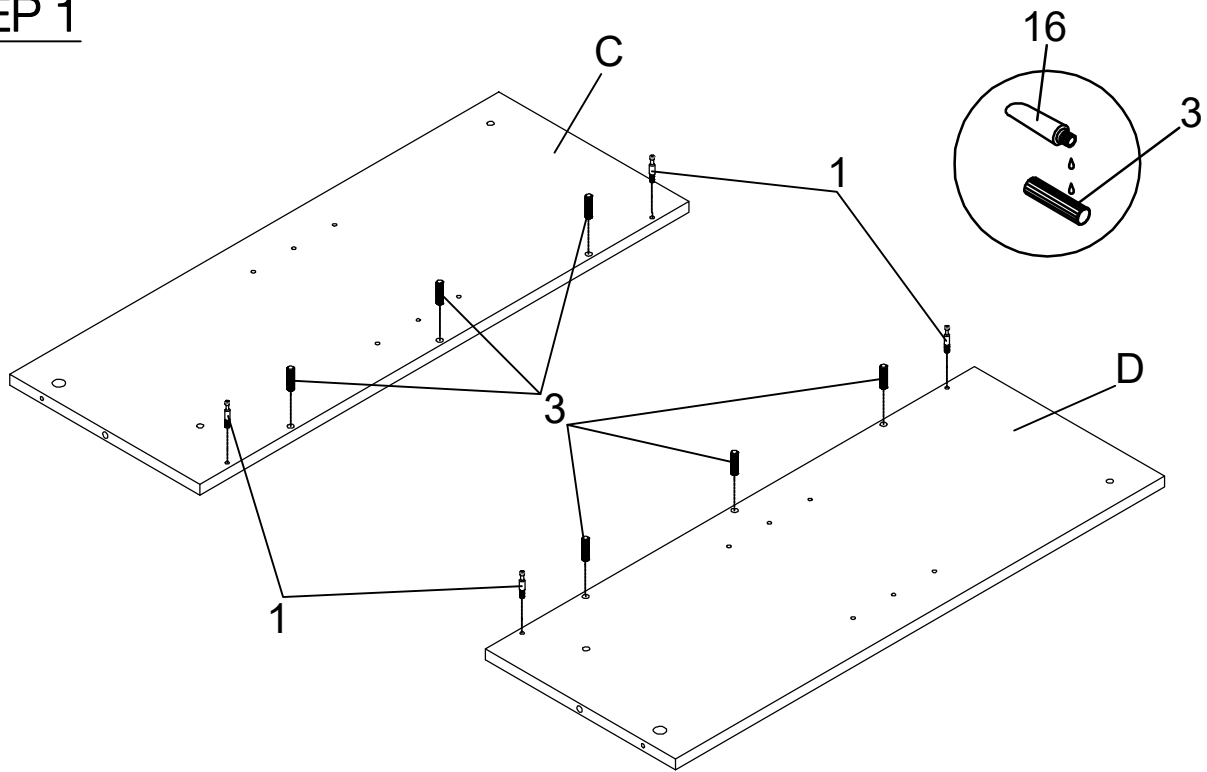
HARDWARE IDENTIFICATION

Z

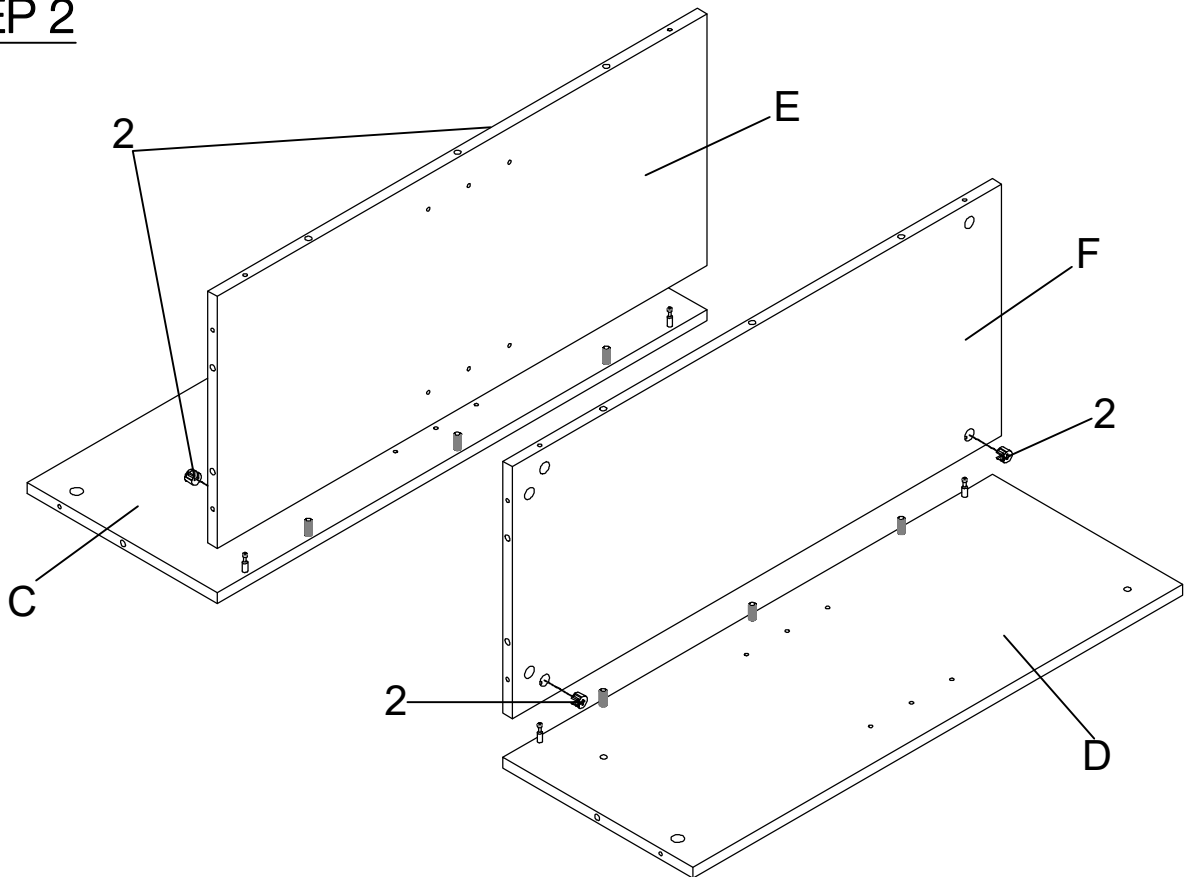
1	CAM BOLT (38mm)		22PCS	10	SHELF BOLT		12PCS
2	CAM LOCK (ϕ 15mm)		22PCS	11	CAP (20 x 20mm BLK)		3PCS
3	WOOD DOWEL (8 x 30mm)		22PCS	12	BOTTOM CAP (13 x 38mm BLK)		4PCS
4	LONG BOLT (ϕ 8 x 38mm)		10PCS	13	TOP CAP (13 x 38mm SR)		8PCS
5	SMALL SCREW (3.5 x 12mm)		4PCS	14	ROUND CAP (ϕ 21mm SR)		2PCS
6	SHORT BOLT (1/4" x 12mm SR)		31PCS	15	STICKER		12PCS
7	SMALL BOLT (1/4" x 21mm SR)		8PCS	16	GLUE		1PC
8	SMALL BOLT (3/16" x 12mm)		10PCS	17	ALLEN WRENCH (4mm)		1PC
9	NUT		4PCS	18	HEXAGONAL KEY		1PC

ASSEMBLY INSTRUCTIONS

STEP 1

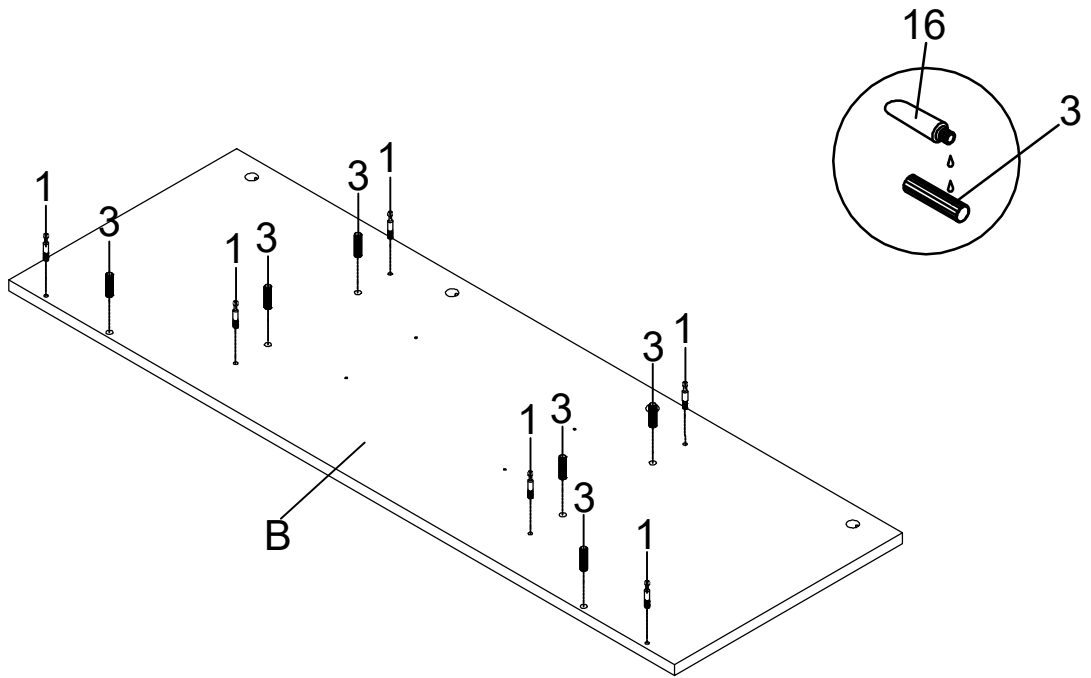


STEP 2

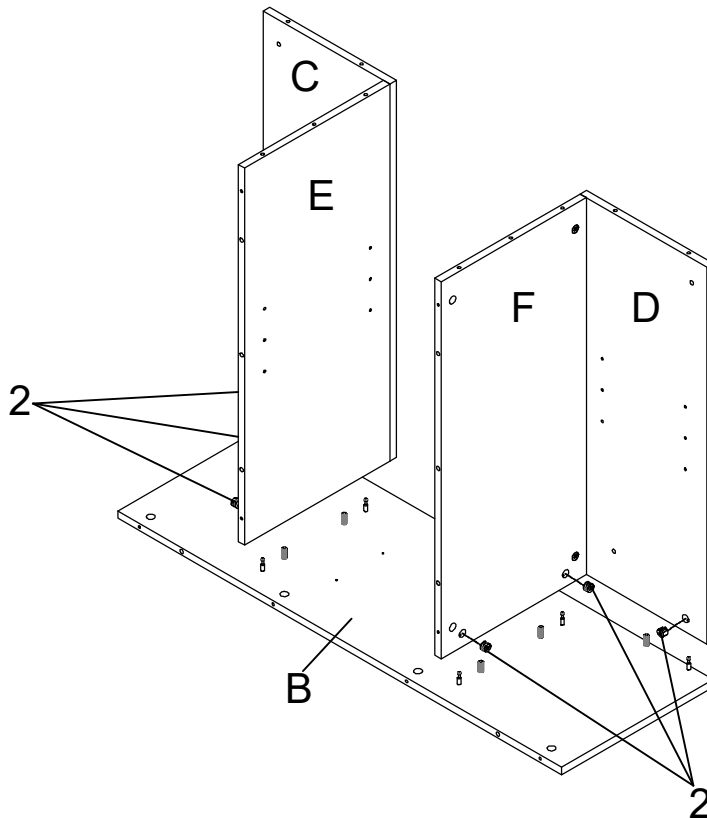


ASSEMBLY INSTRUCTIONS

STEP 3

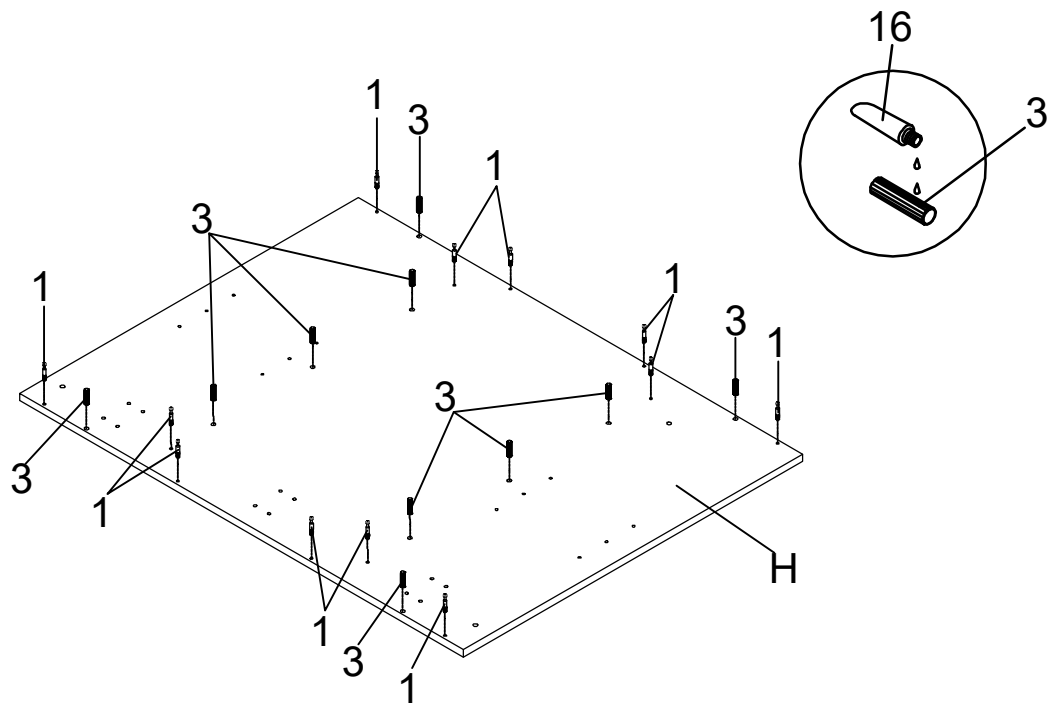


STEP 4

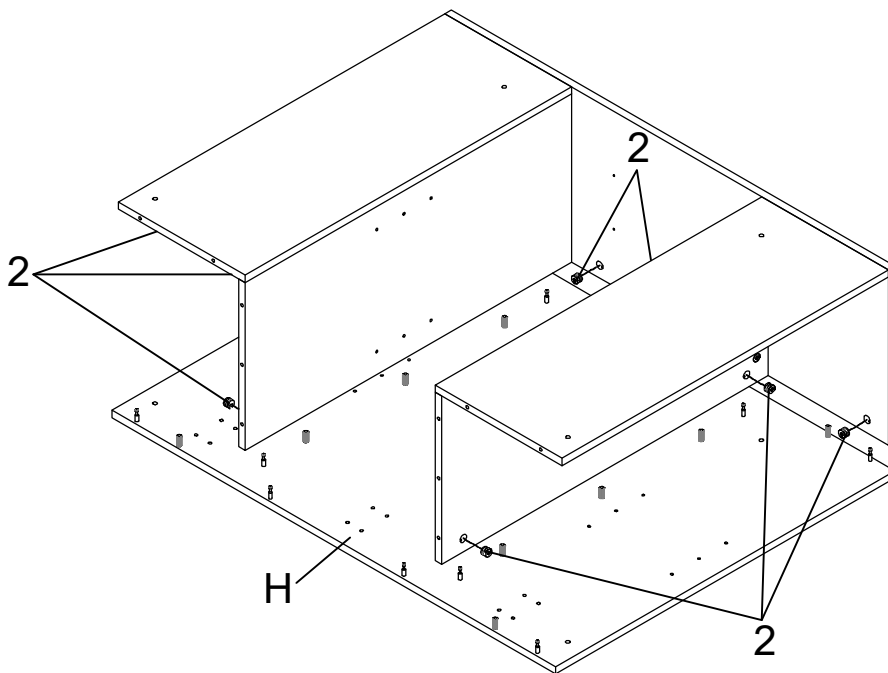


ASSEMBLY INSTRUCTIONS

STEP 5

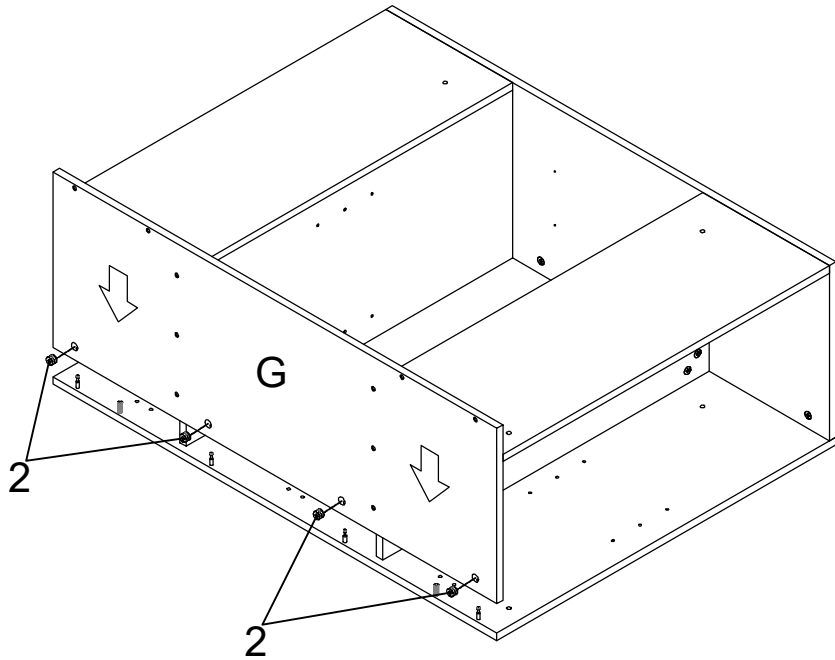


STEP 6

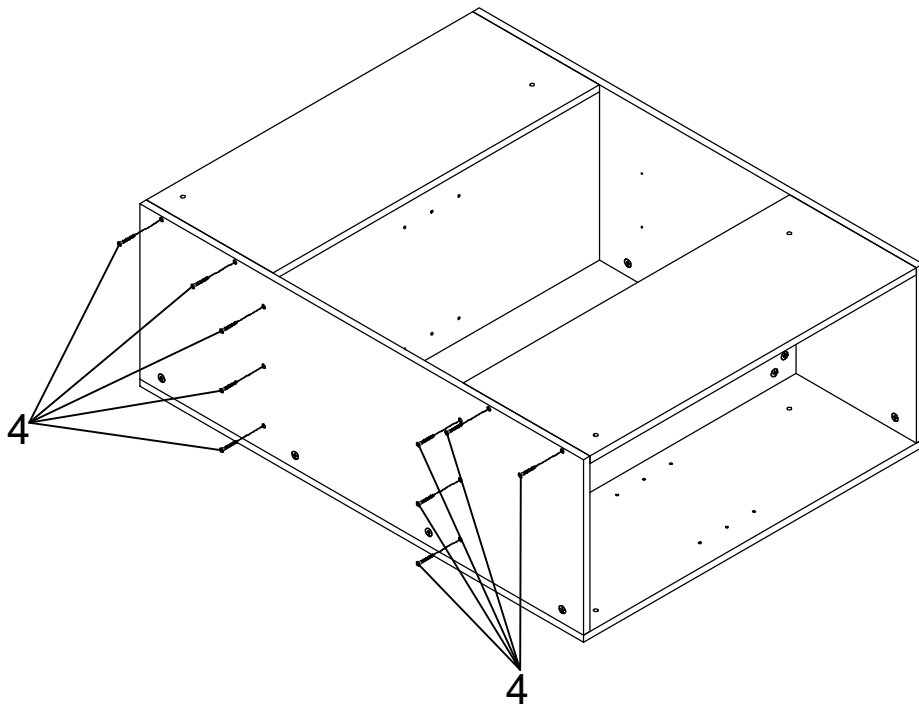


ASSEMBLY INSTRUCTIONS

STEP 7

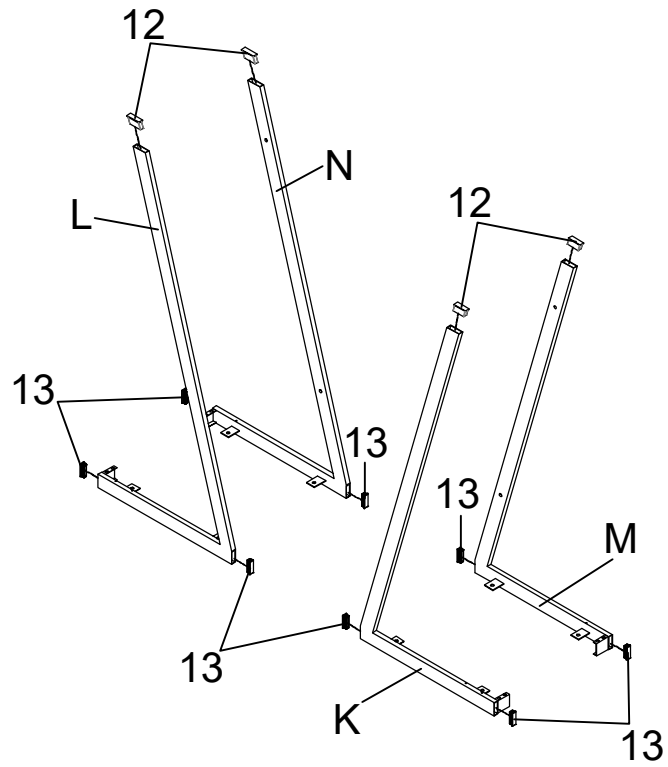


STEP 8

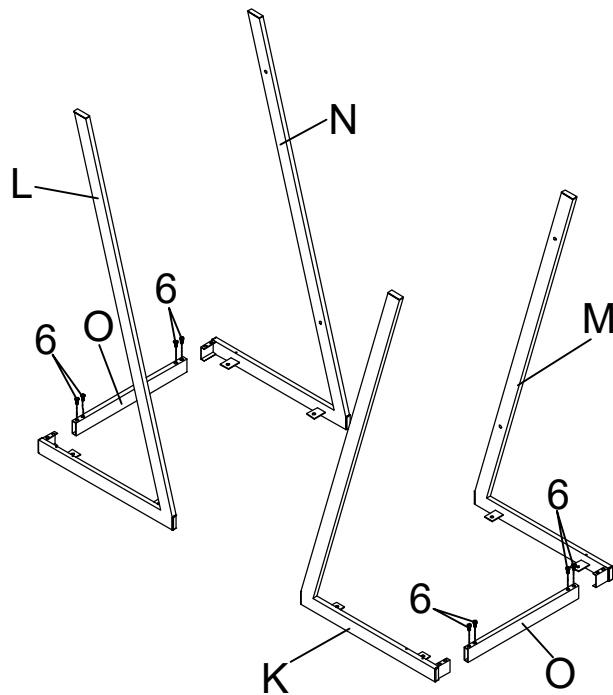


ASSEMBLY INSTRUCTIONS

STEP 9

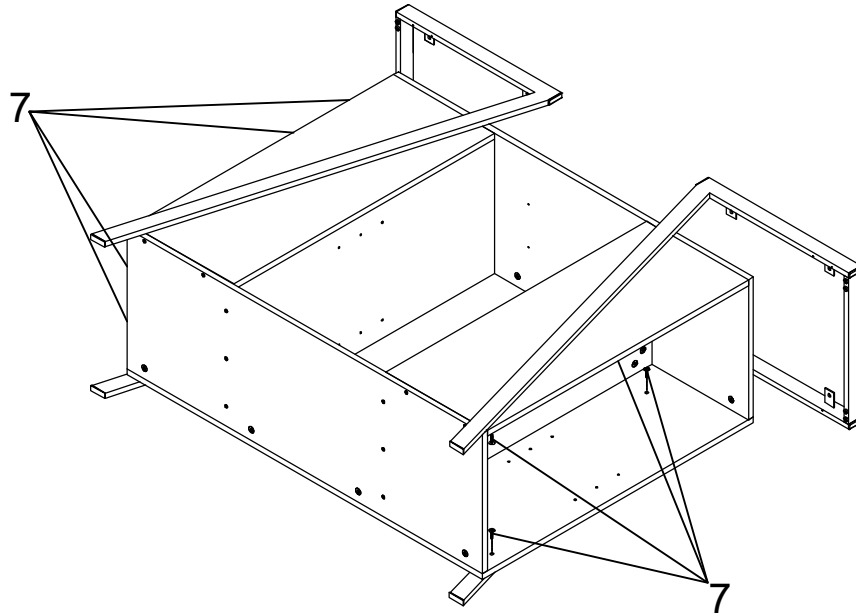


STEP 10

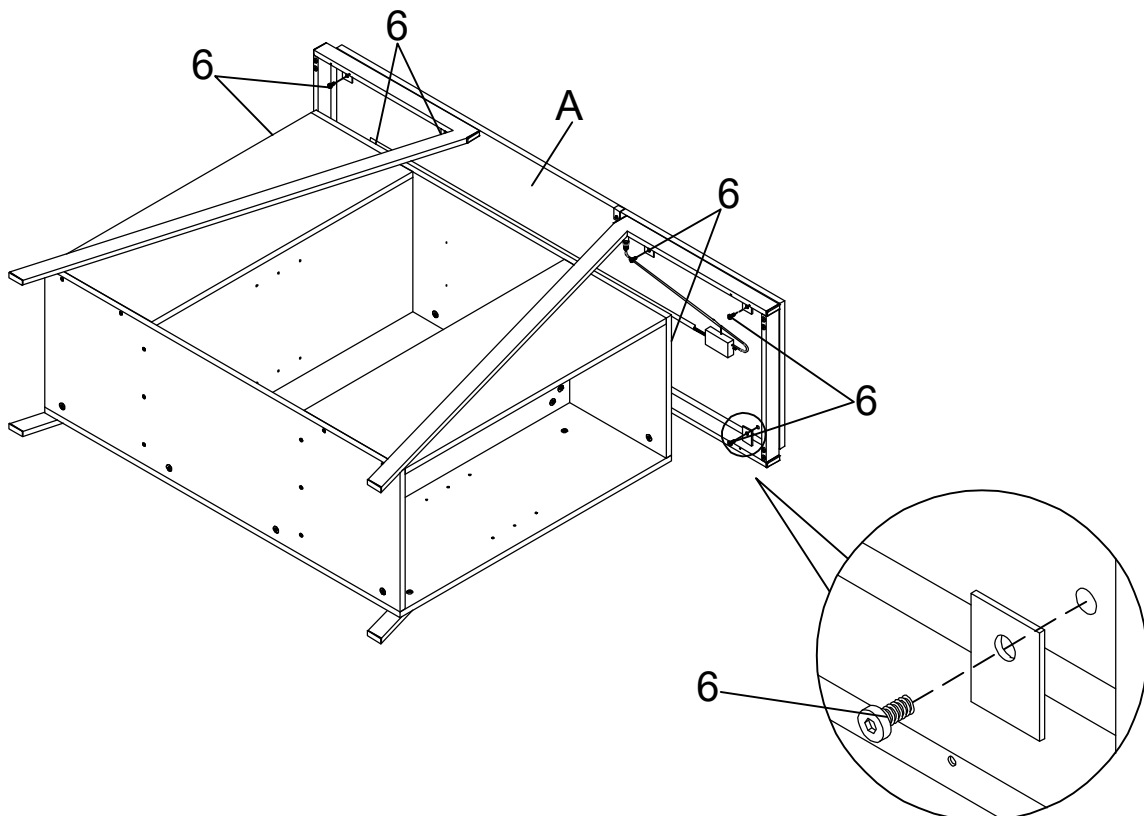


ASSEMBLY INSTRUCTIONS

STEP 11

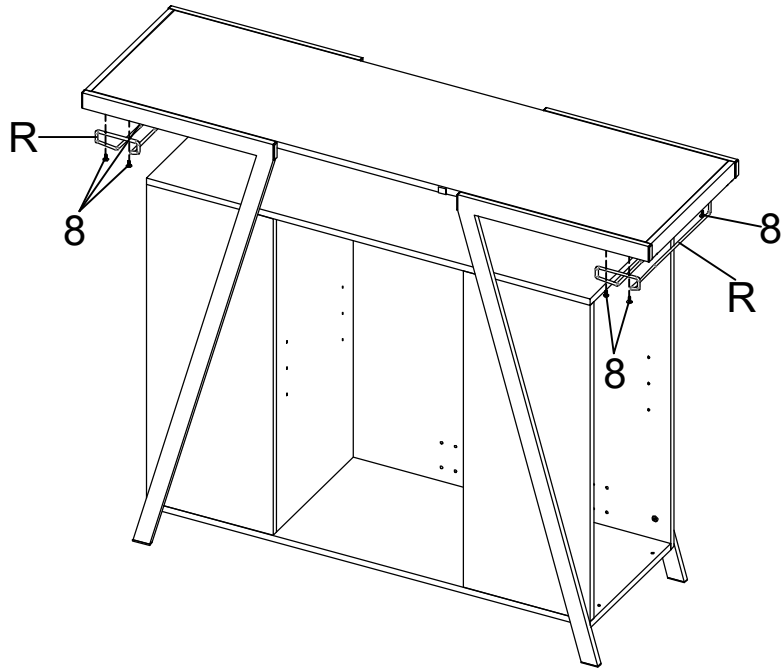


STEP 12

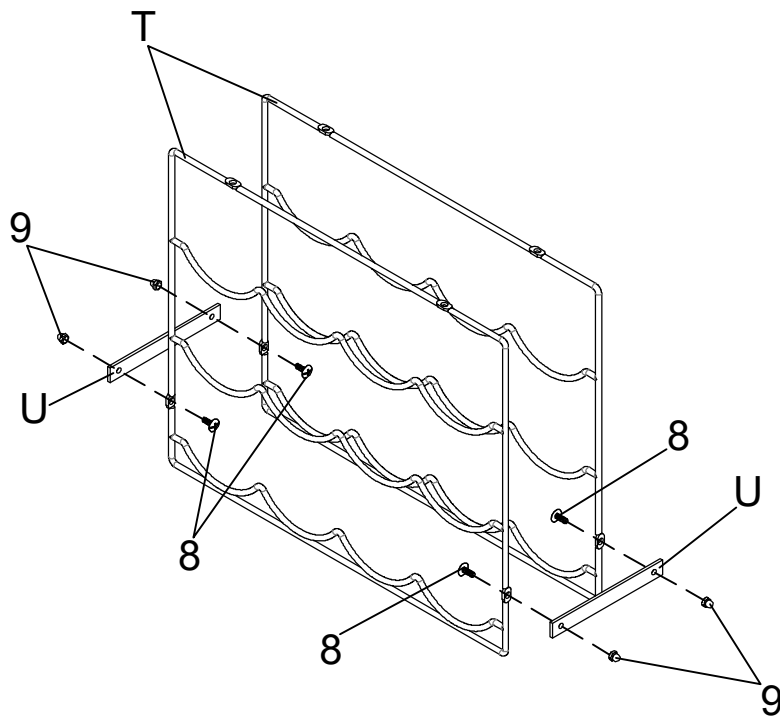


ASSEMBLY INSTRUCTIONS

STEP 13

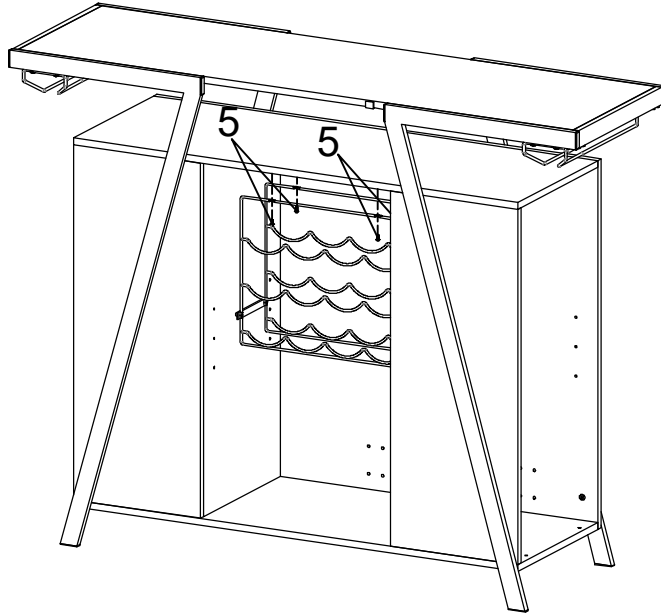


STEP 14

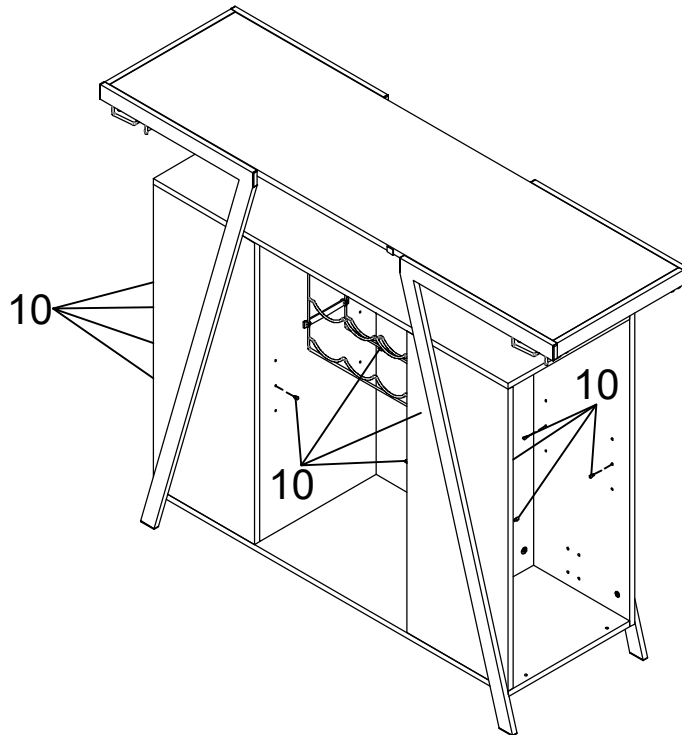


ASSEMBLY INSTRUCTIONS

STEP 15

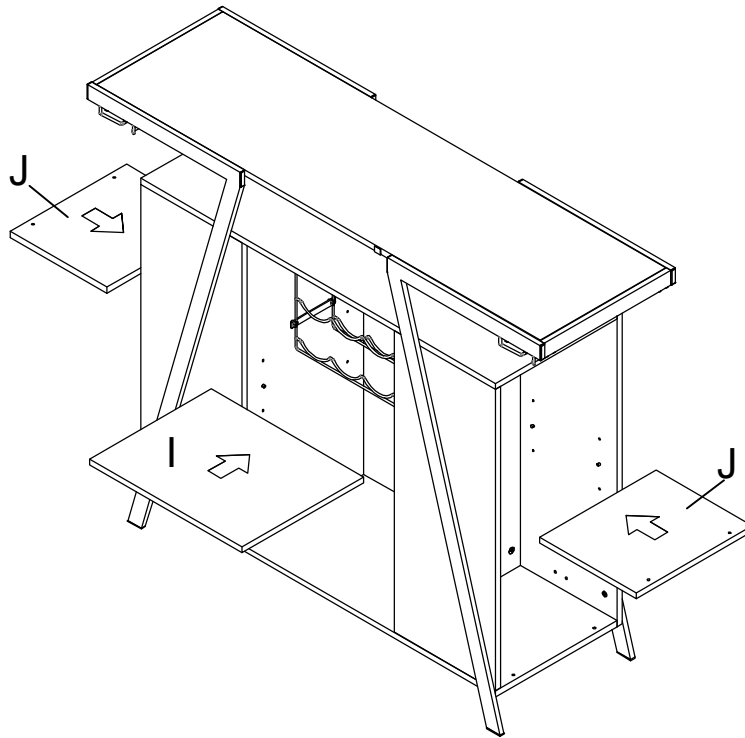


STEP 16

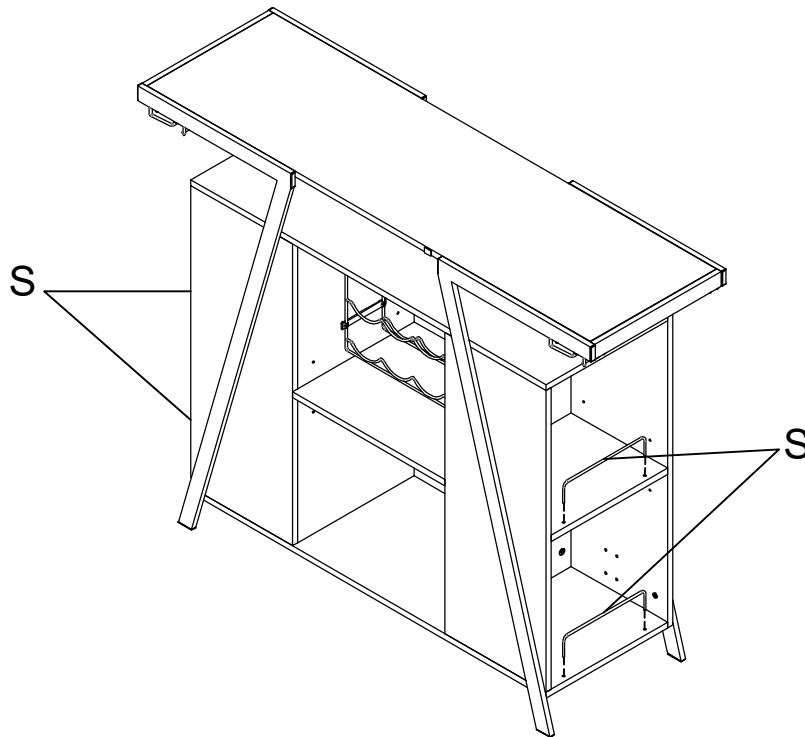


ASSEMBLY INSTRUCTIONS

STEP 17

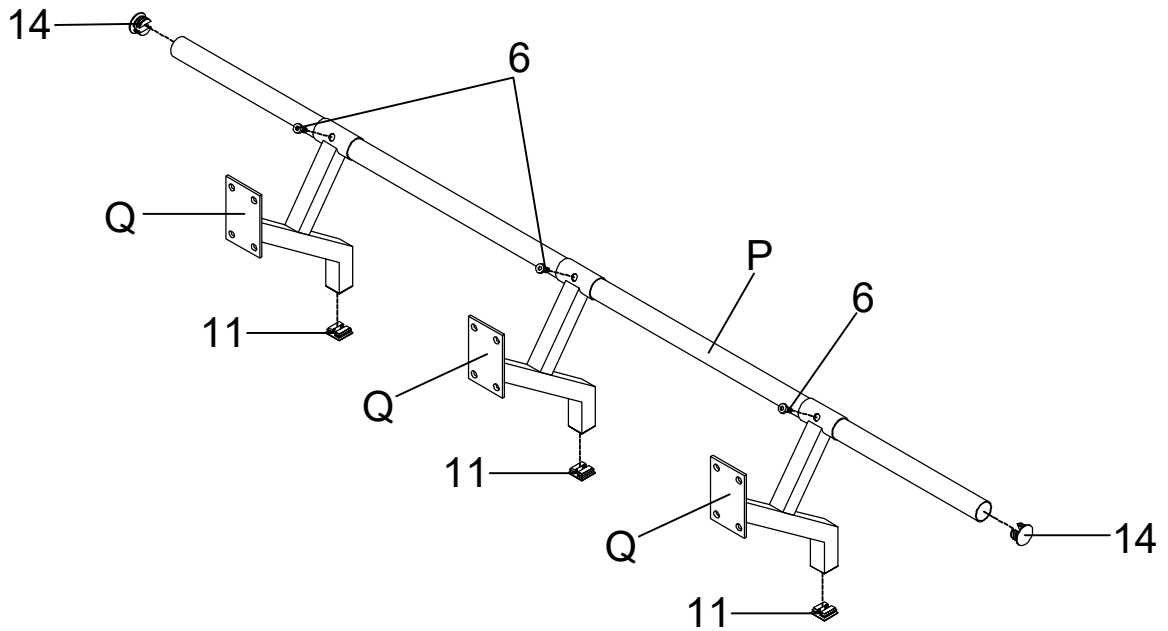


STEP 18

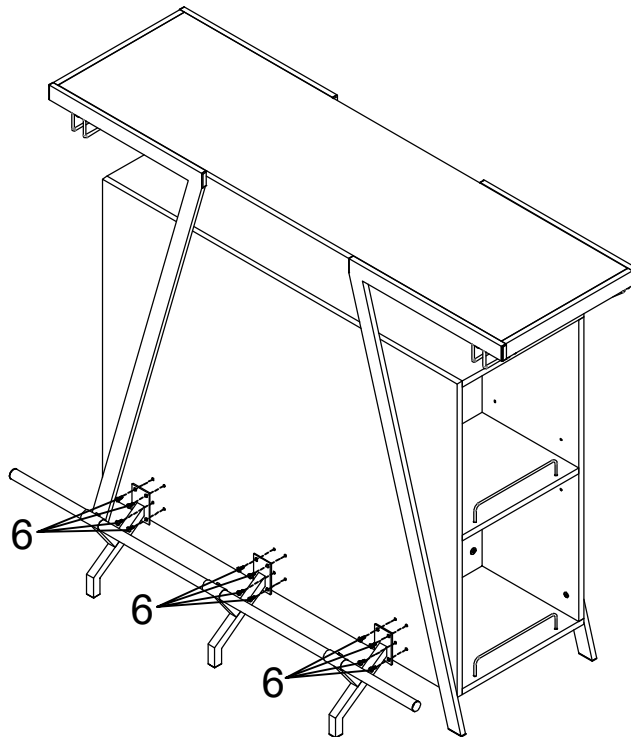


ASSEMBLY INSTRUCTIONS

STEP 19

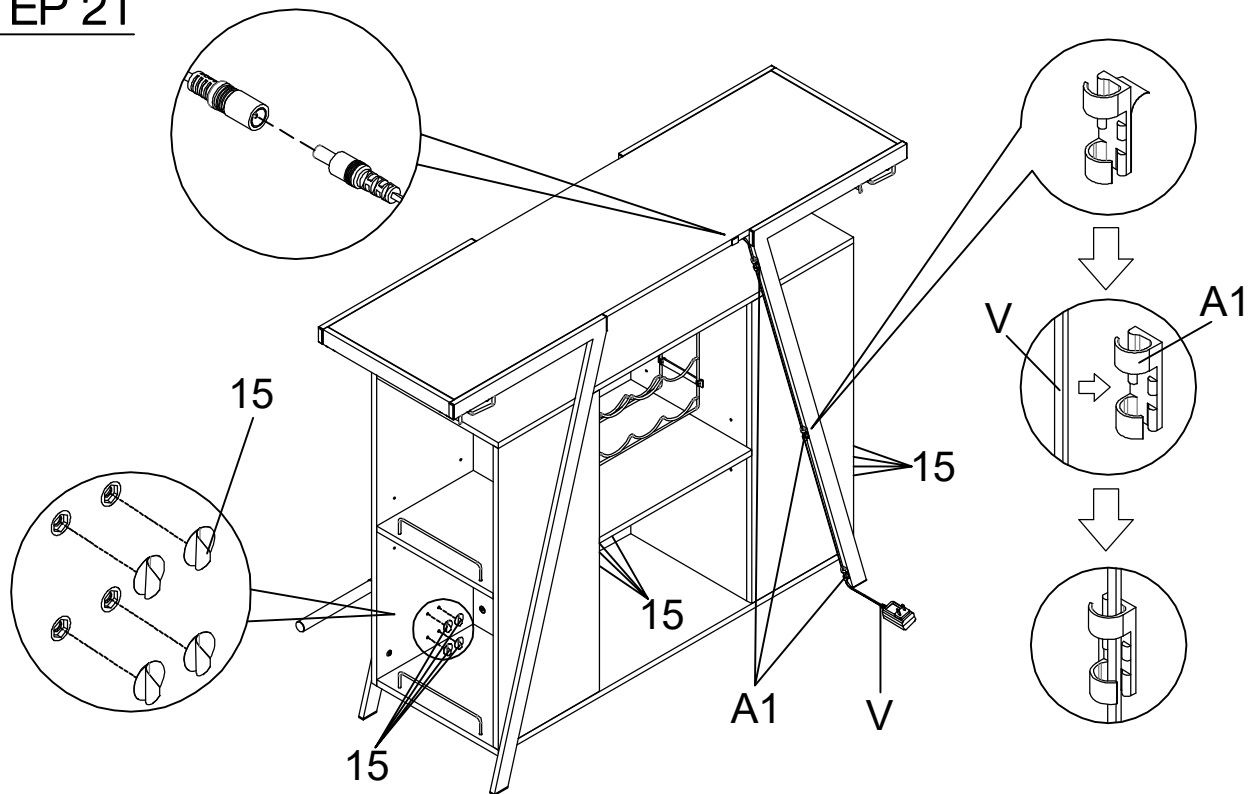


STEP 20

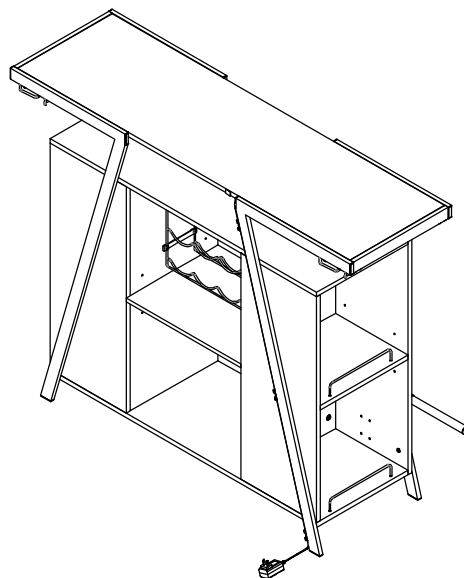


ASSEMBLY INSTRUCTIONS

STEP 21

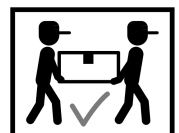


STEP 22 COMPLETE



LED light operation guide

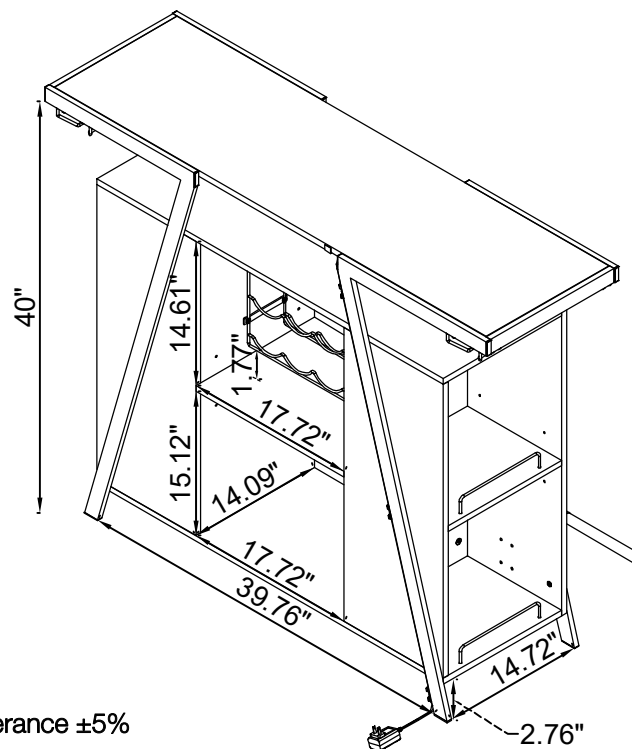
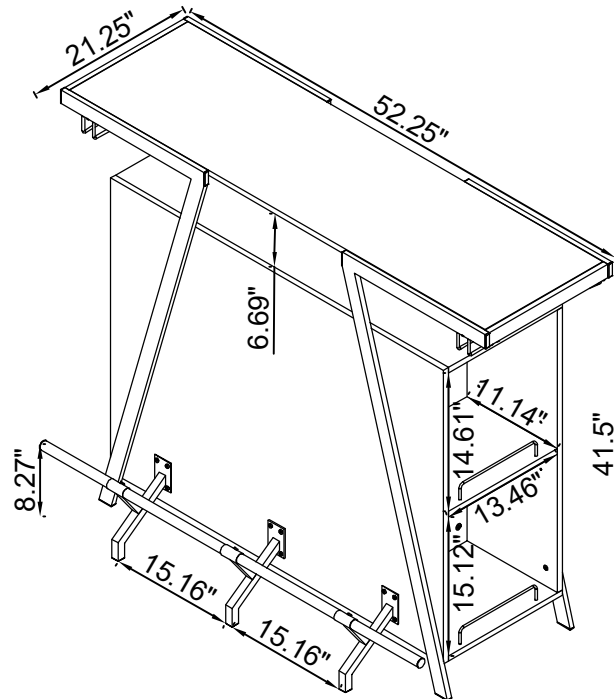
- Connect the power source using the provided cable
- Touch the metal plate to activate the LED lights
- Color Mode-Light blue purple, orange, red, yellow, green, light blue, dark blue, and purple
- Press once to change color
- Long Press to adjust the brightness
- Continue cycle through for twinkle light speed



ASSEMBLY INSTRUCTIONS

Product Size : 1327 X 540 X 1060 H (MM)

Product Size : 52.25" X 21.25" X 41.5"



Note : Dimension tolerance $\pm 5\%$