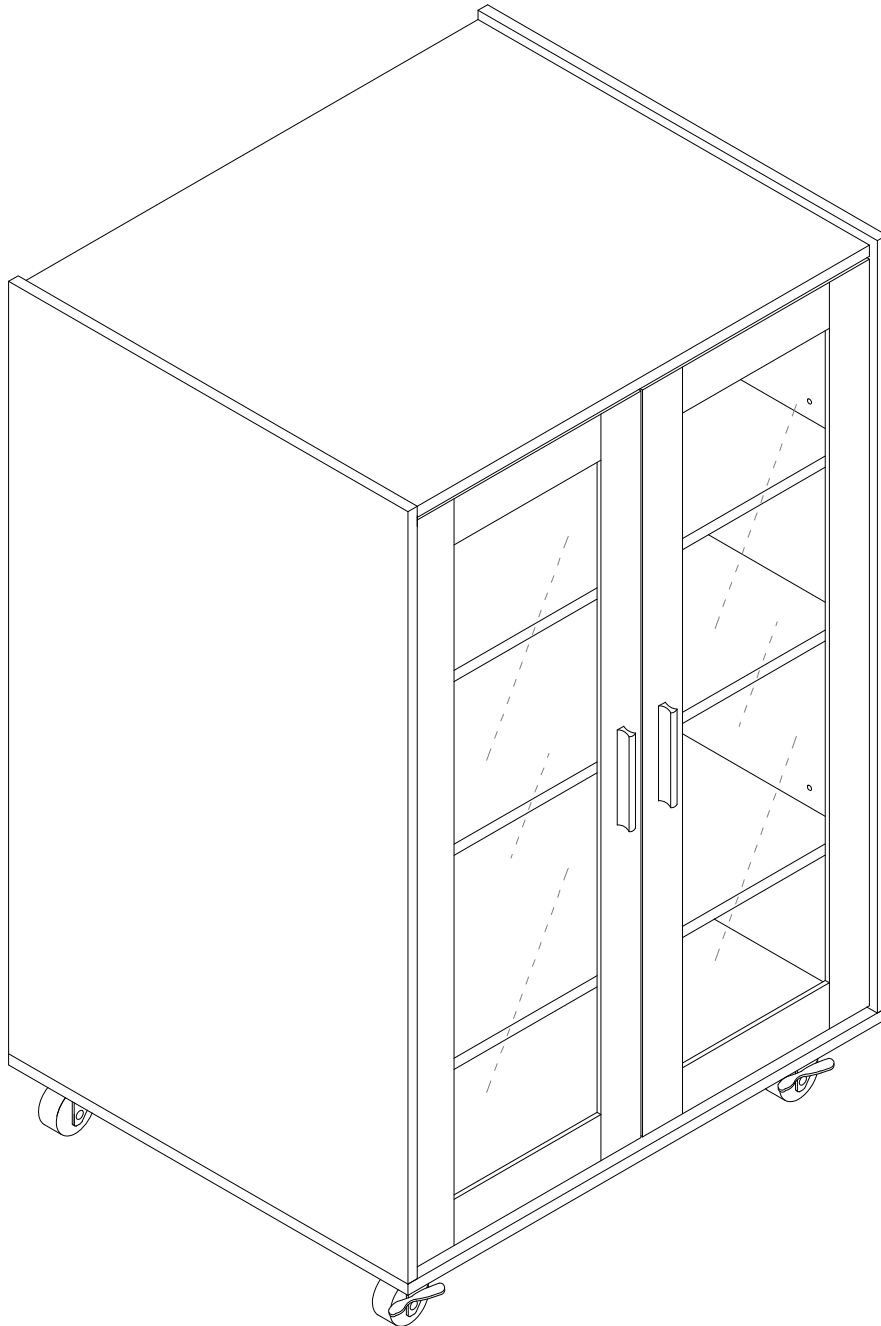
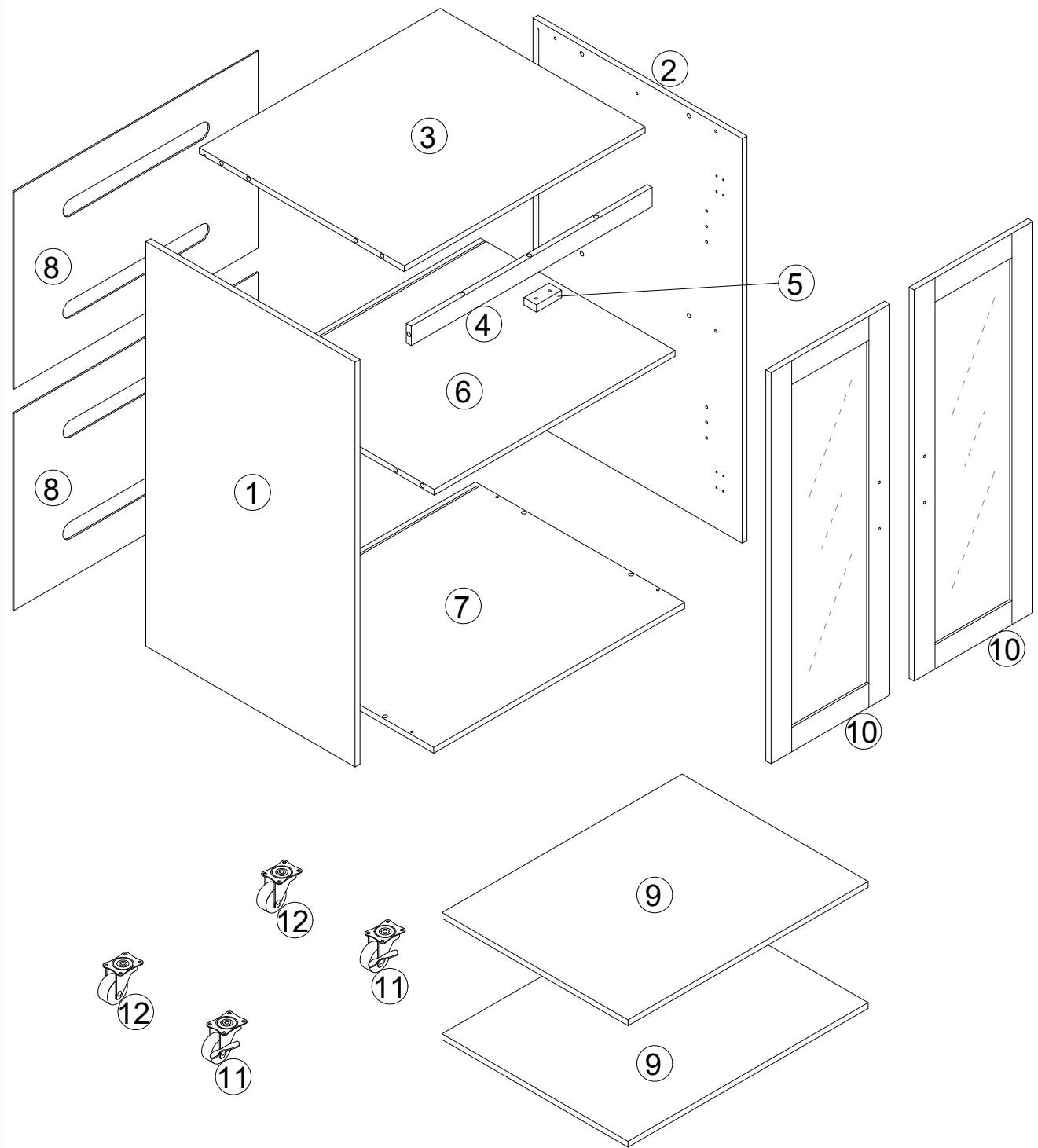
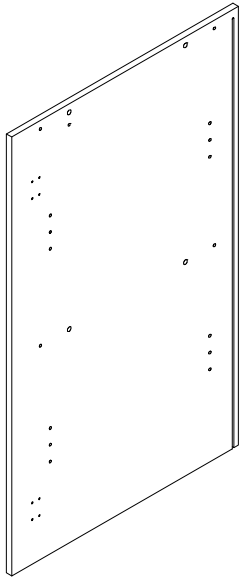


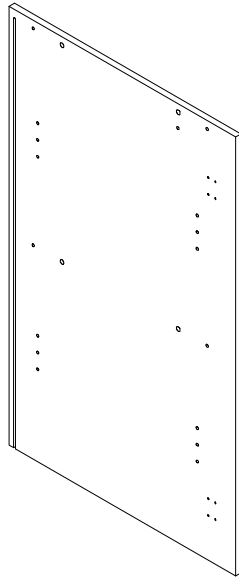
# Installation & Assembly



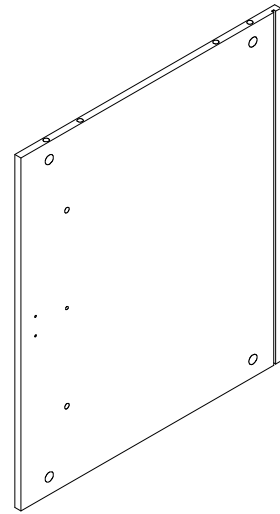




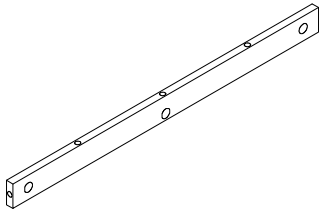
① x 1



② x 1



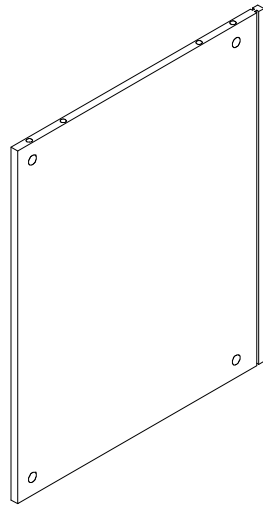
③ x 1



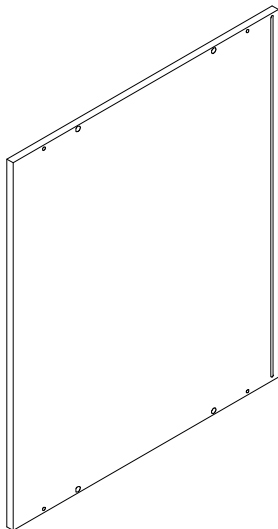
④ x 1



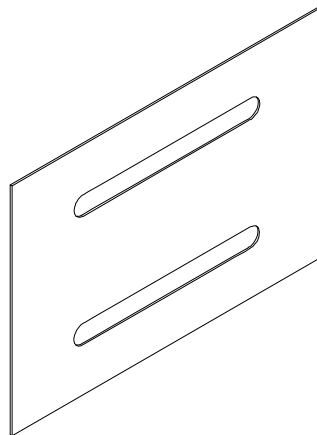
⑤ x 1



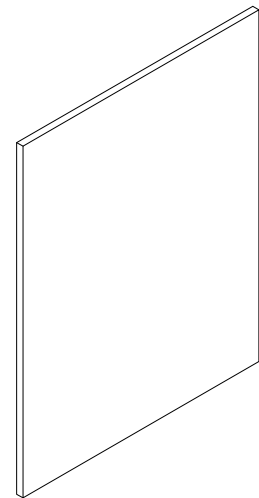
⑥ x 1



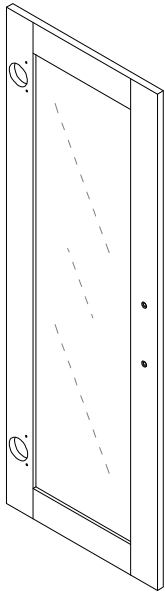


⑦ x 1

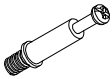







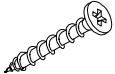


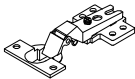
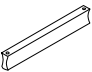


⑧ x 2

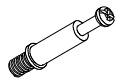
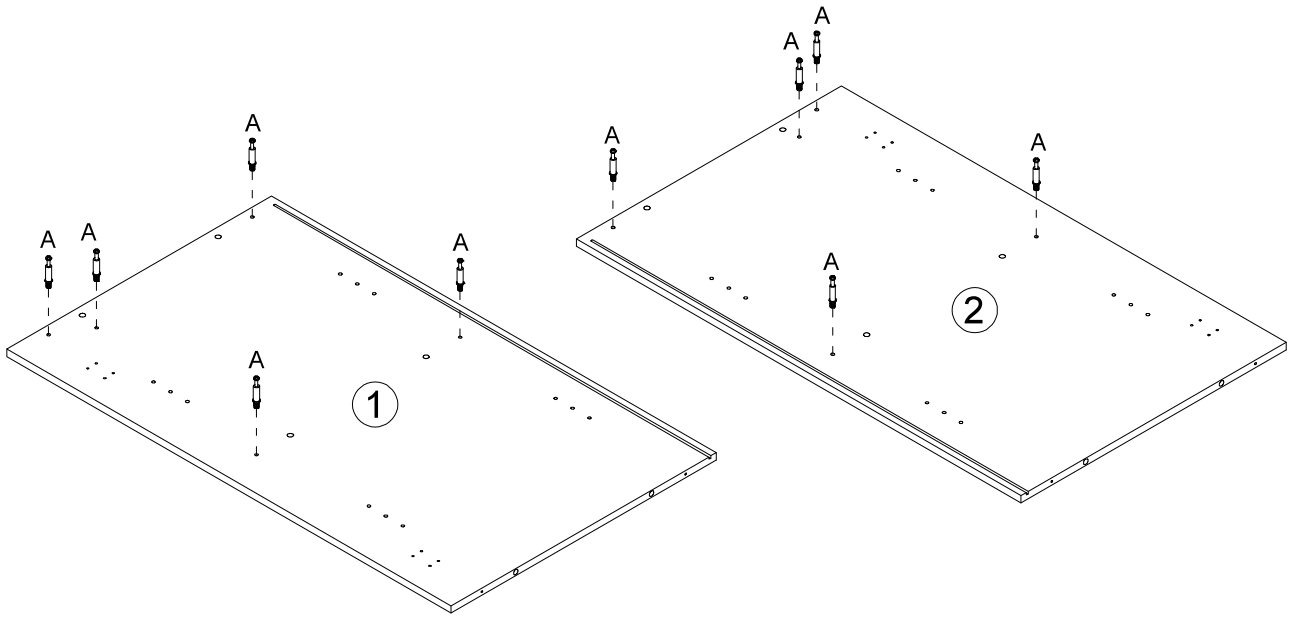


⑨ x 2

		
<p>⑩ x 2</p>	<p>⑪ x 2</p>	<p>⑫ x 2</p>

 <p>φ6x35mm A x 11</p>	 <p>φ12x9.5mm B x 11</p>	 <p>φ6x30mm C x 14</p>	 <p>M3x16mm D x 8</p>	 <p>M4x12mm E x 16</p>	 <p>M4x12mm F x 24</p>
 <p>M4x16mm G x 4</p>	 <p>M4x20mm H x 2</p>	 <p>M4x30mm I x 4</p>	 <p>φ5x25mm J x 8</p>	 <p>K x 8</p>	 <p>L x 4</p>
 <p>M x 2</p>					

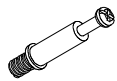
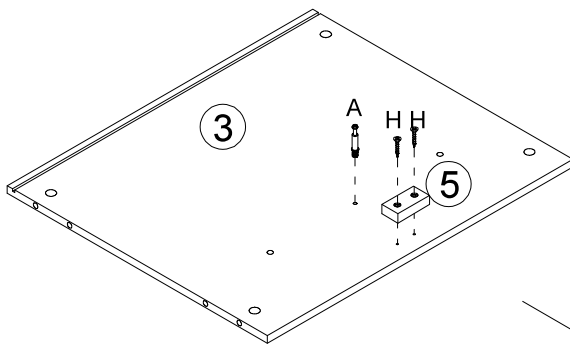
# Step 1



$\phi 6 \times 35 \text{mm}$

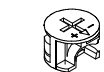
A x 10

# Step 2



$\phi 6 \times 35 \text{mm}$

A x 1



$\phi 12 \times 9.5 \text{mm}$

B x 1



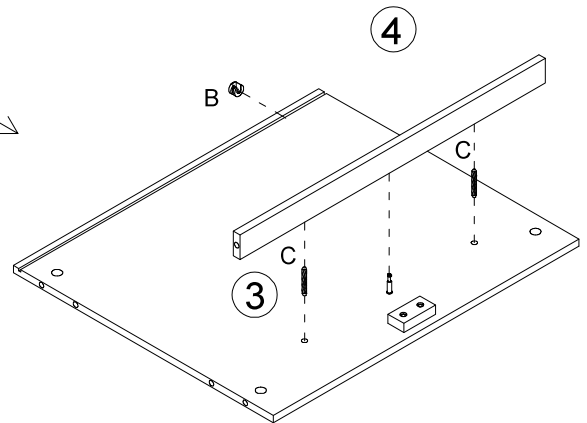
$\phi 6 \times 30 \text{mm}$

C x 2

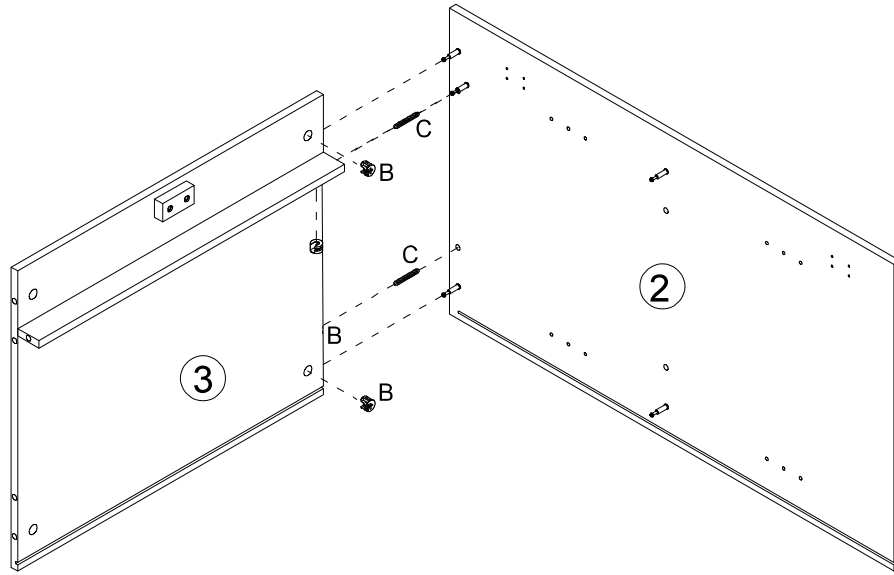


M4 x 20mm

H x 2

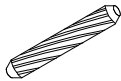


### Step 3



$\phi 12 \times 9.5 \text{mm}$

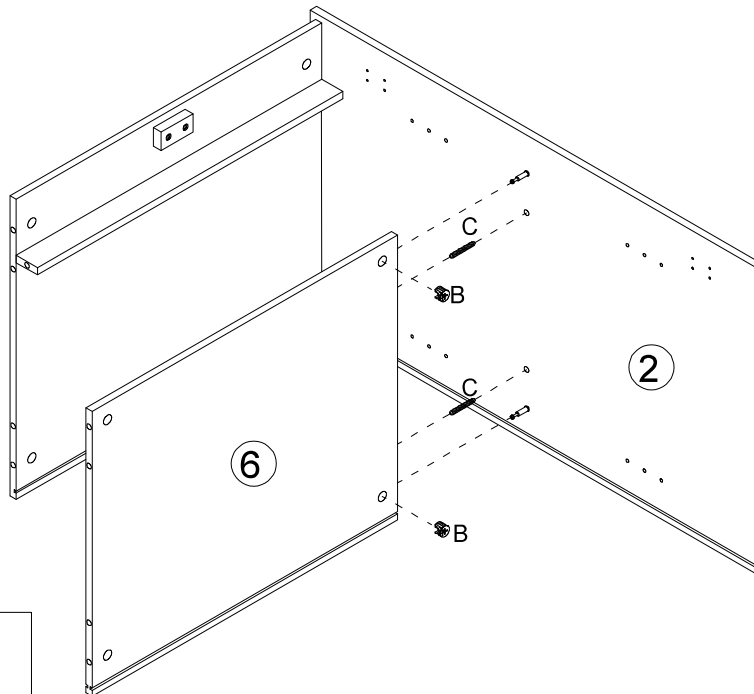
B x 3



$\phi 6 \times 30 \text{mm}$

C x 2

### Step 4



$\phi 12 \times 9.5 \text{mm}$

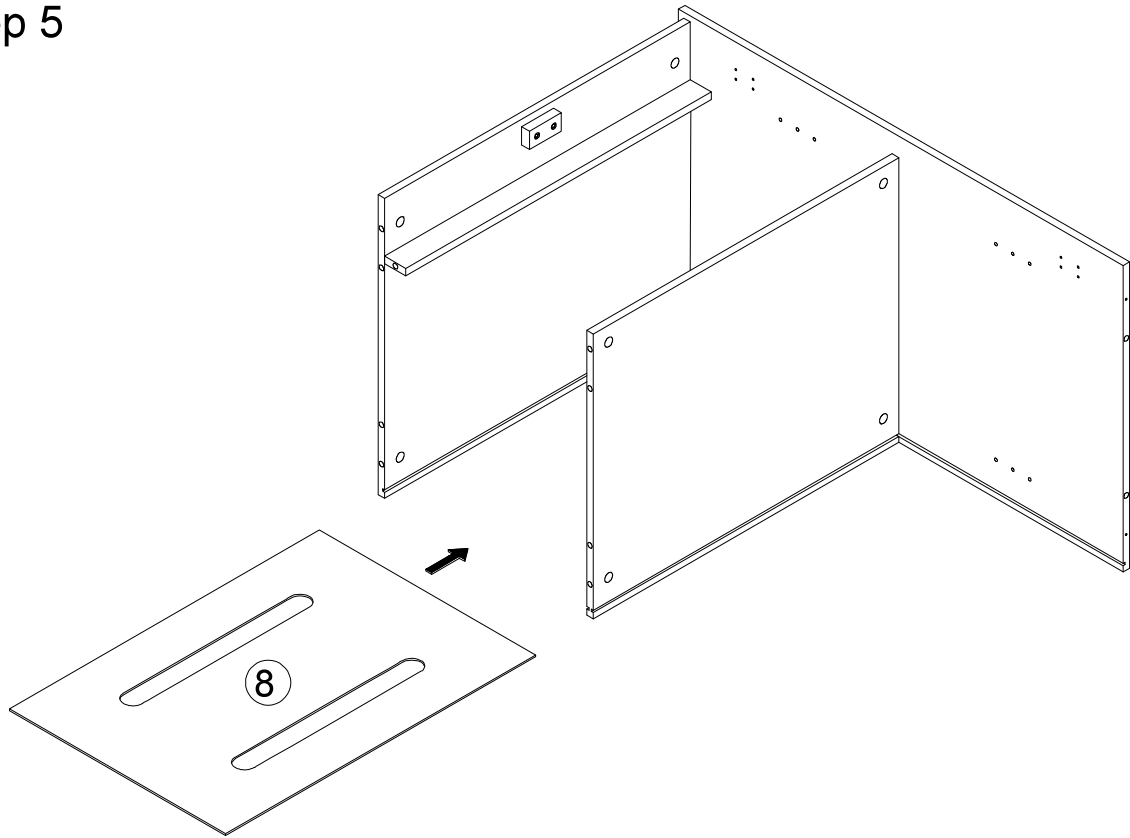
B x 2



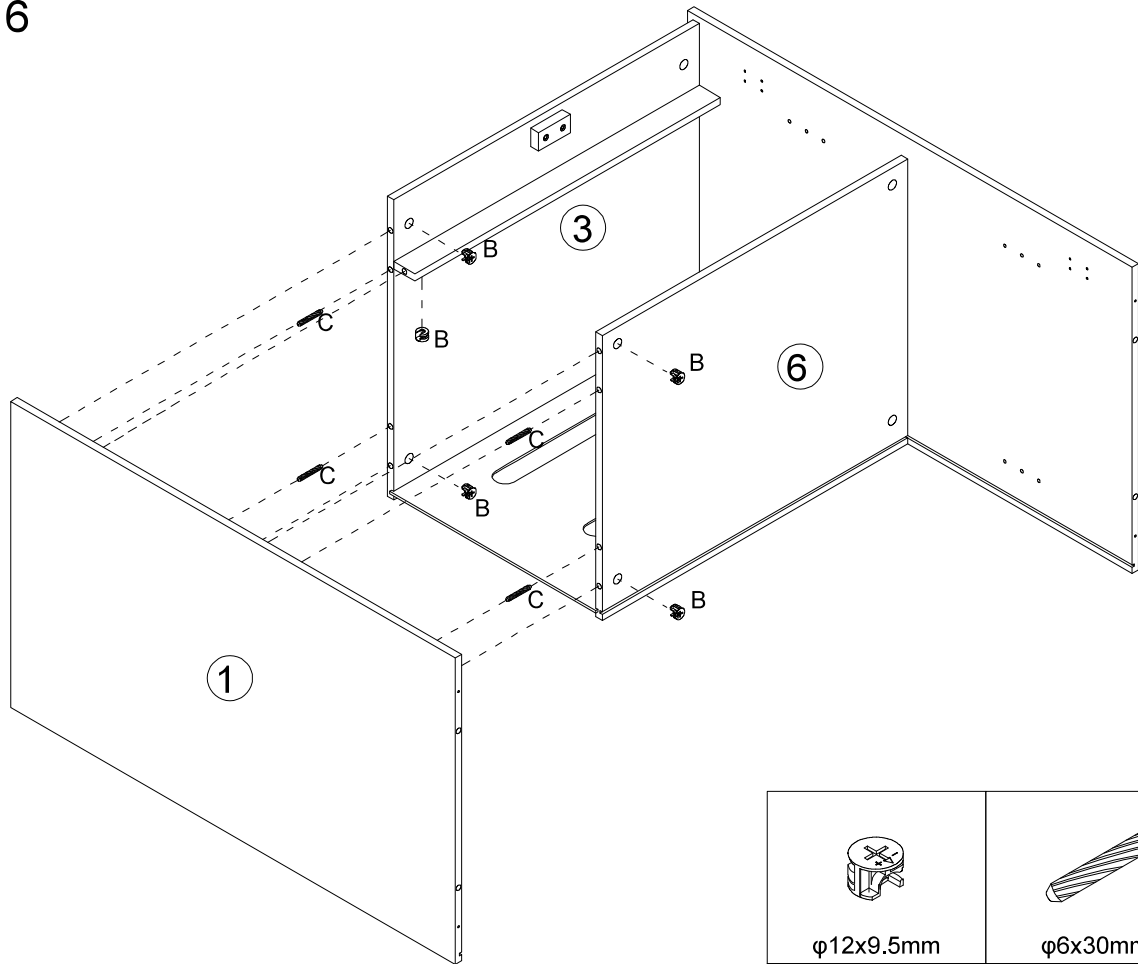
$\phi 6 \times 30 \text{mm}$



C x 2

# Step 5

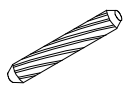
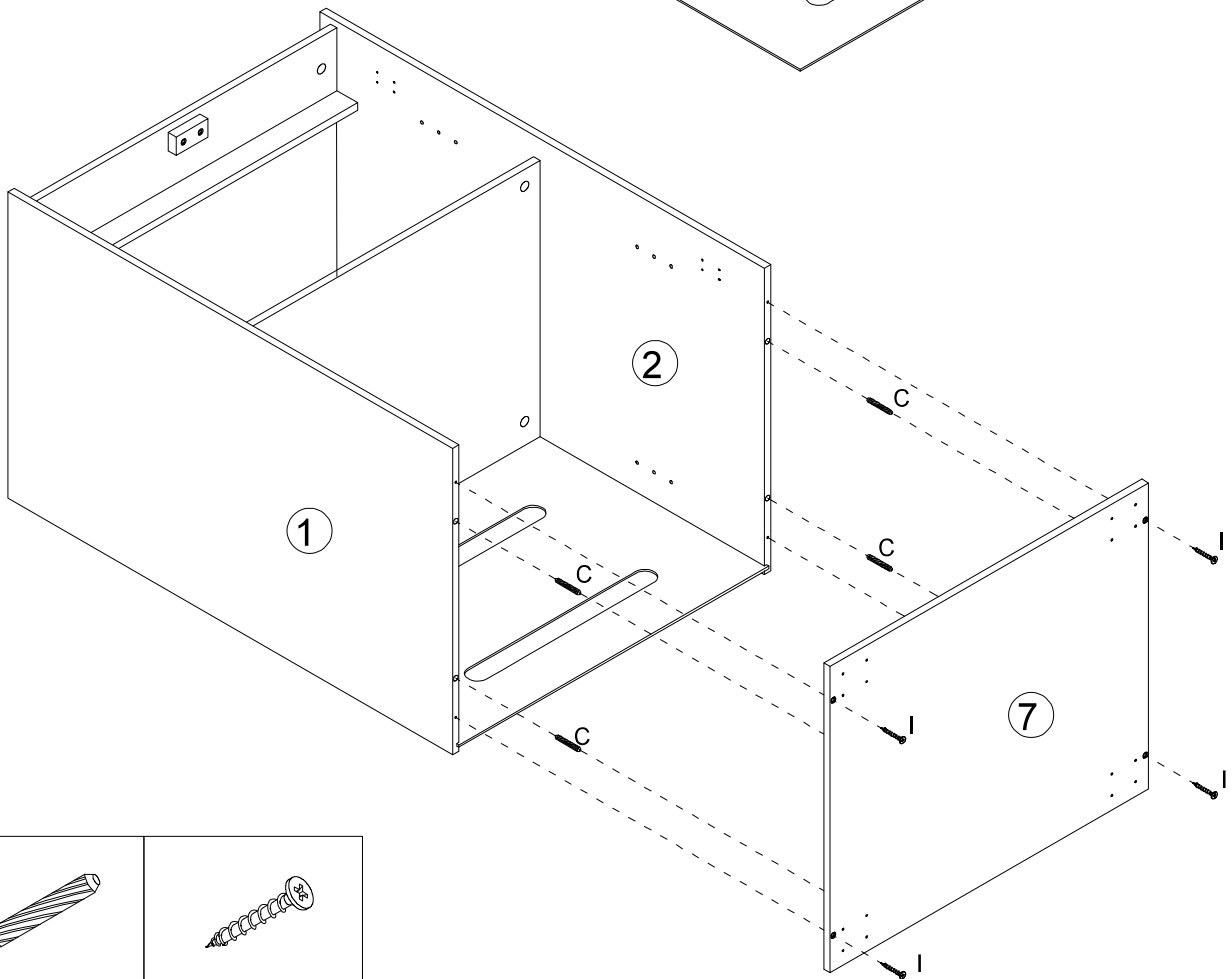
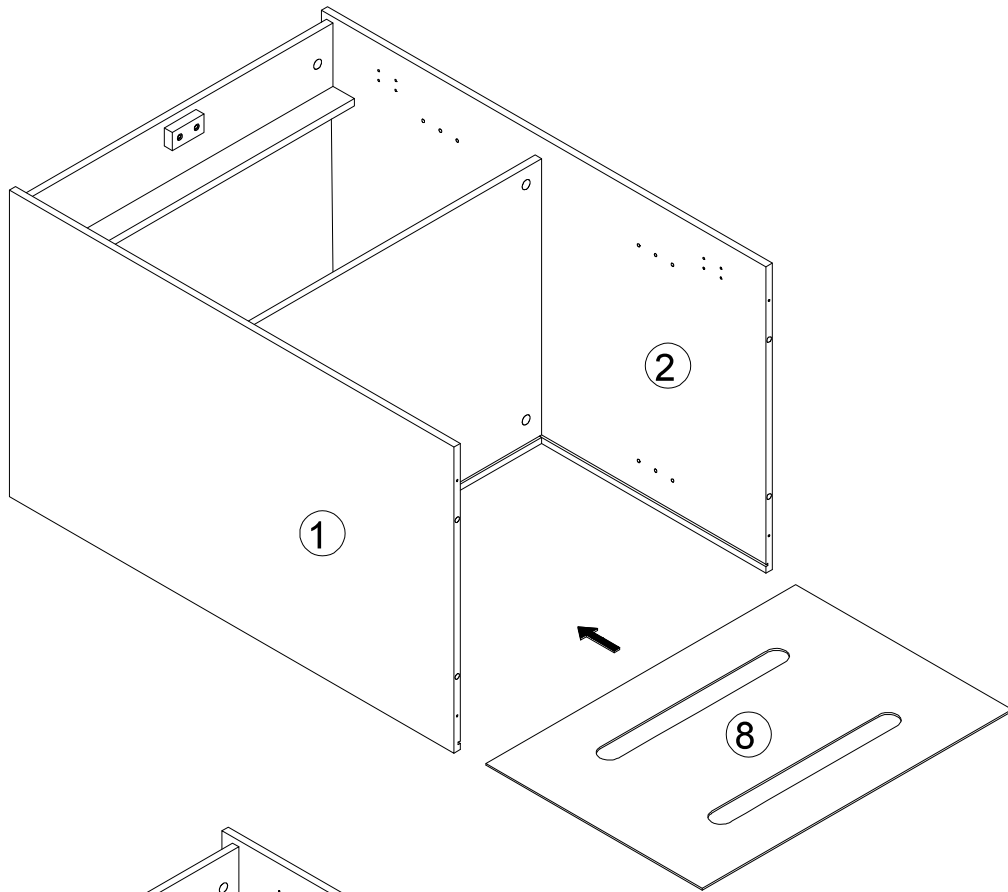


# Step 6

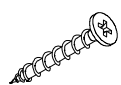


	
$\phi 12 \times 9.5 \text{mm}$	$\phi 6 \times 30 \text{mm}$
B x 5	C x 4

# Step 7

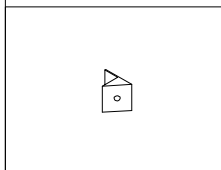
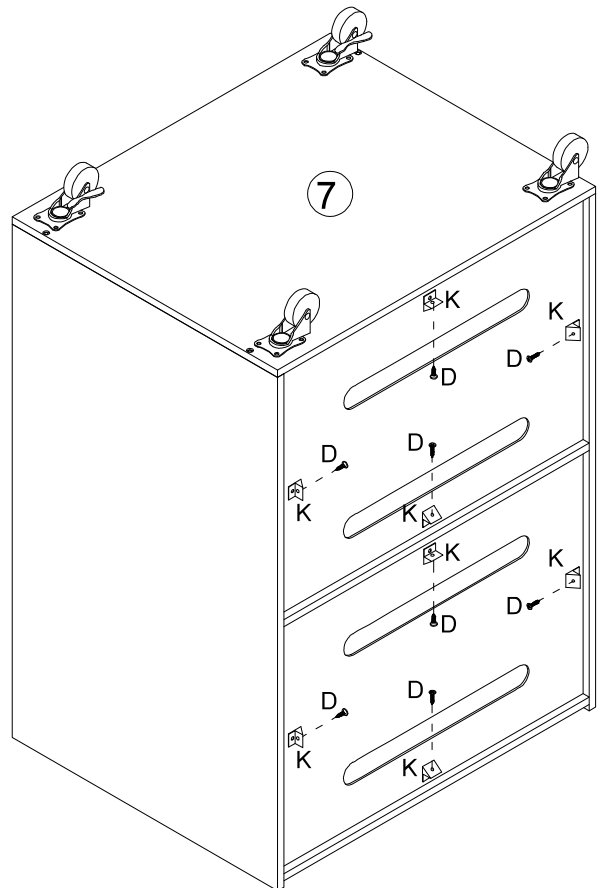
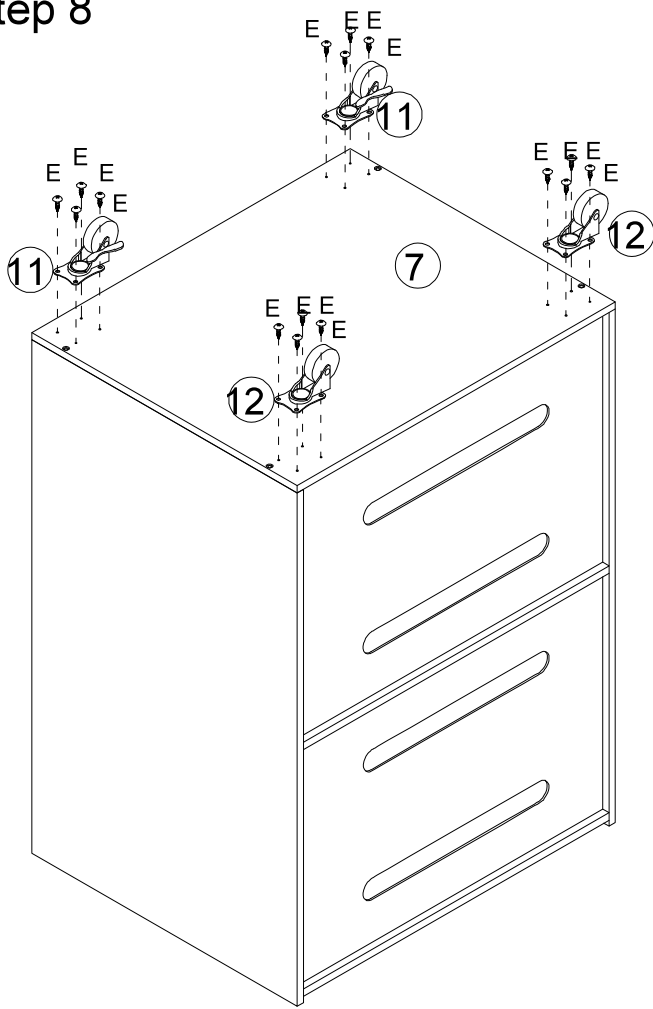


$\phi 6 \times 30 \text{mm}$   
C x 4



M4 x 30mm  
I x 4

# Step 8



K x 8



M3x14mm

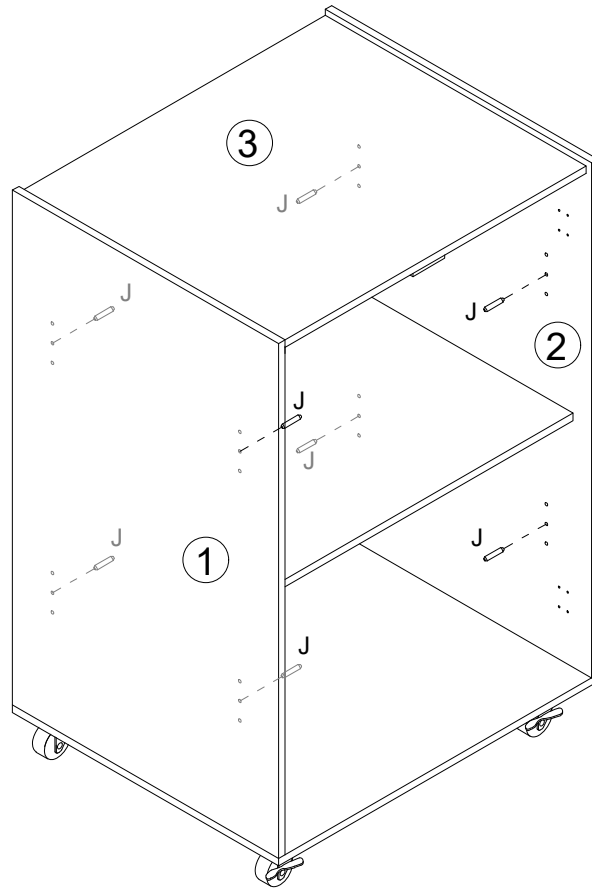
D x 8



M4x12mm

E x 16

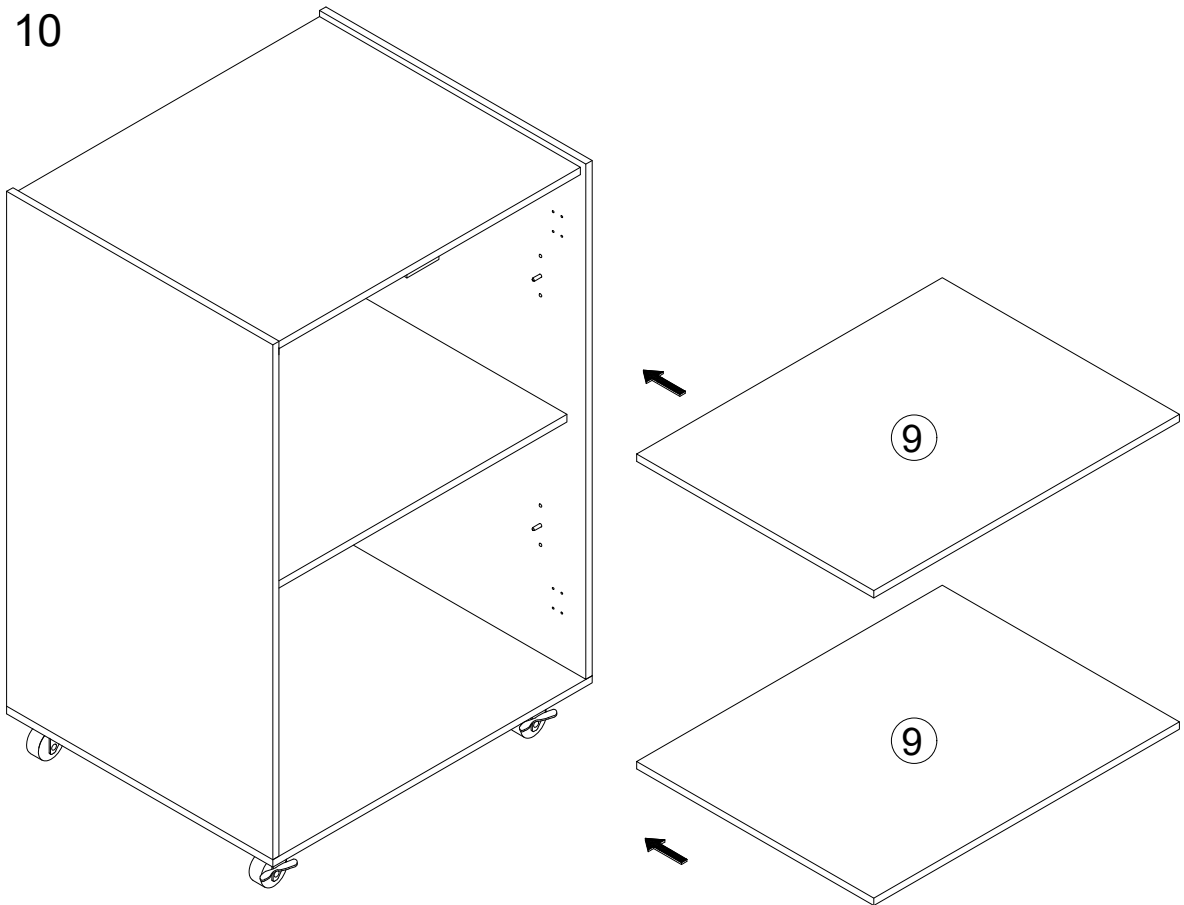
## Step 9



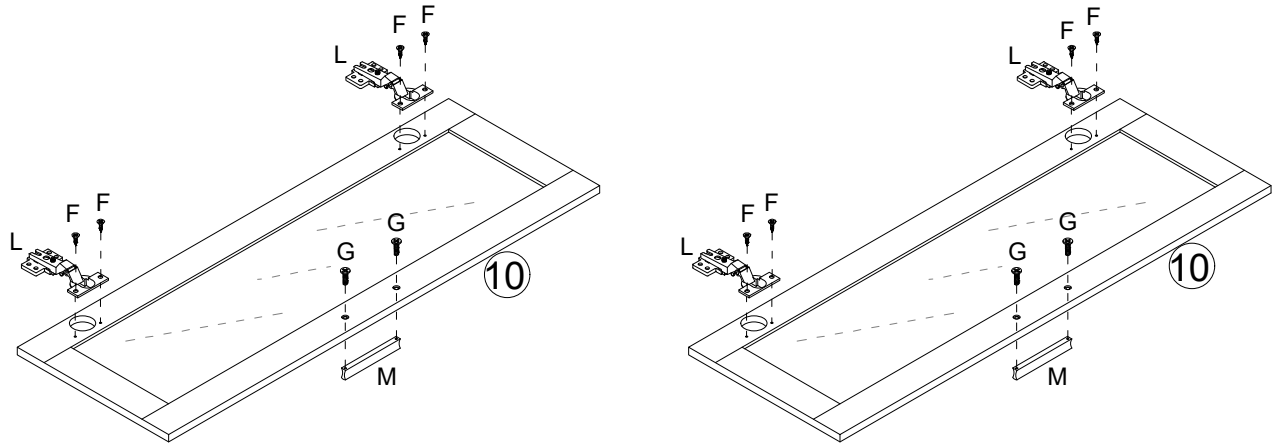
φ5x25mm



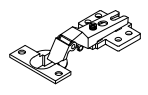
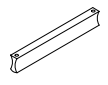
J x 8

## Step 10

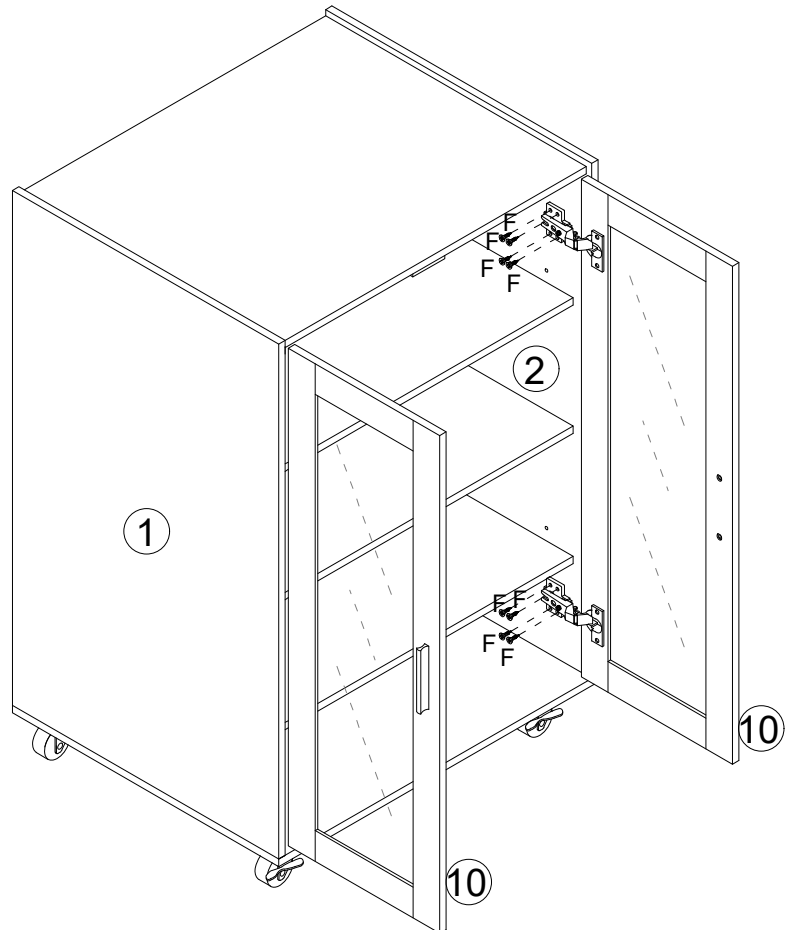



# Step 11



			
M4x12mm F x 8	M4x14mm G x 4	L x 4	M x 2

# Step 12




M4x12mm F x 16