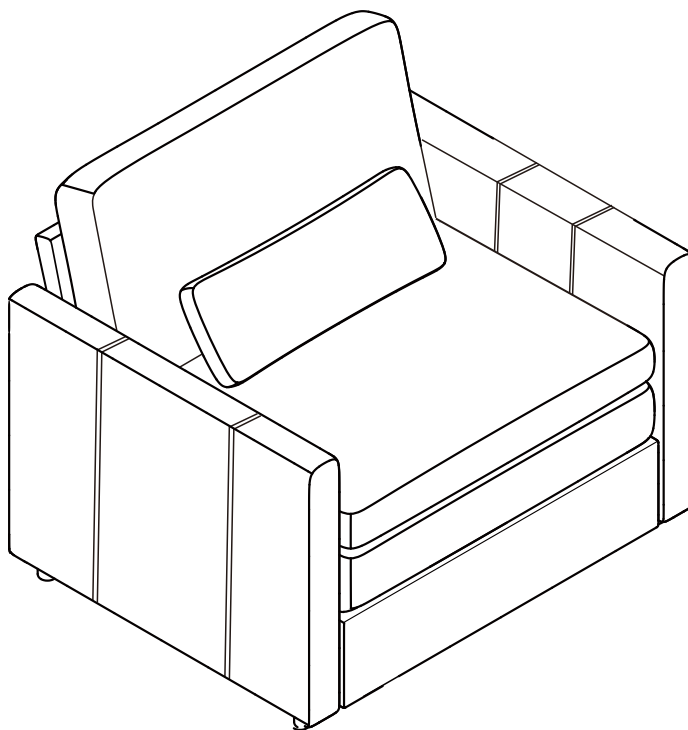


ASSEMBLY INSTRUCTIONS



IMPORTANT NOTE

****Place all parts on a lean and smooth surface such as a rug or carpet to avoid the parts from being scratched.**

****Before you begin, please review the assembly instruction step by step.**

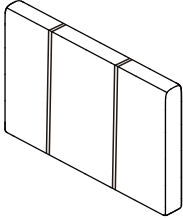
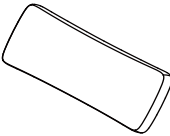
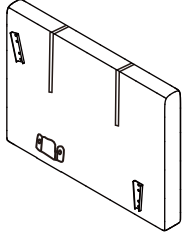
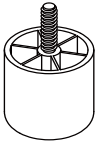
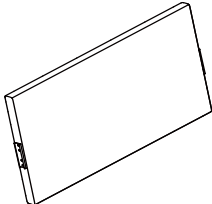
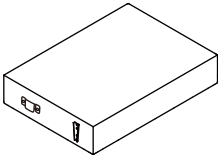
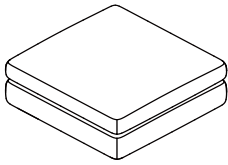
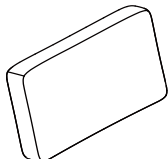
****Return & Warranty Policy:**

-We strive to offer the highest quality products. We also provide positive solutions with replacements or refund if needed.

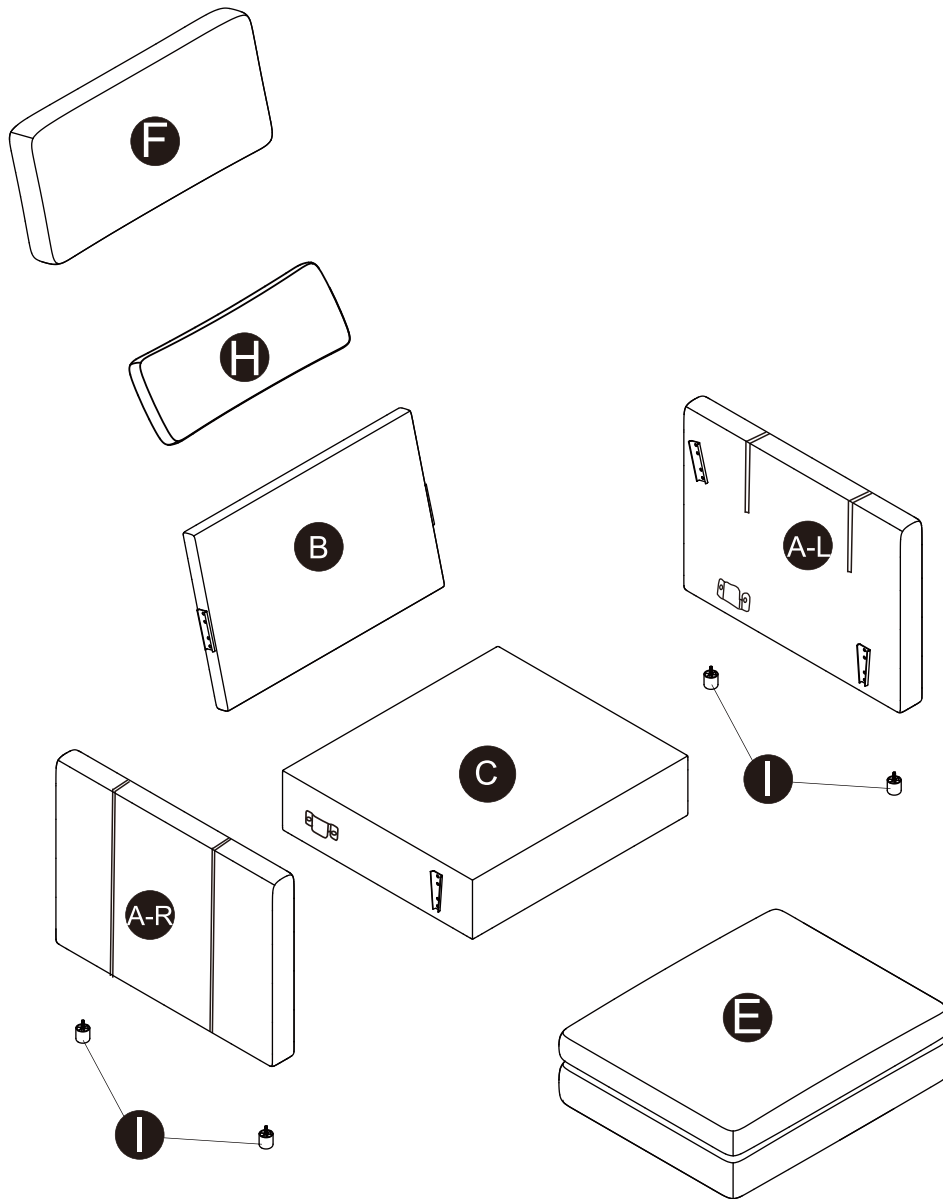
-If the item is damaged or defective, please take photos to show the problem and email to the seller.

-Please do not return back the product before contact the seller.

PART LISTS BOX 1

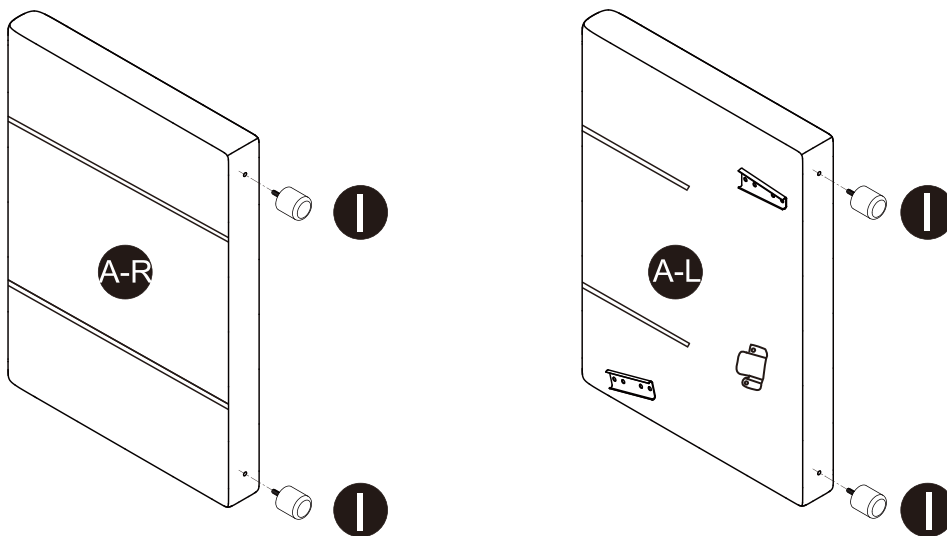
Part NO.	Part Image	Part Name	QTY	Part NO.	Part Image	Part Name	QTY
A-R		Right Armrest	1	H		Armrest Cushion	1
A-L		Left Armrest	1	I		Leg	4
B		Right Back Frame	1				
C		Right Seat Frame	1				
E		Seat Cushion	1				
F		Back Cushion	1				

Sofa Overall Assembly Drawing

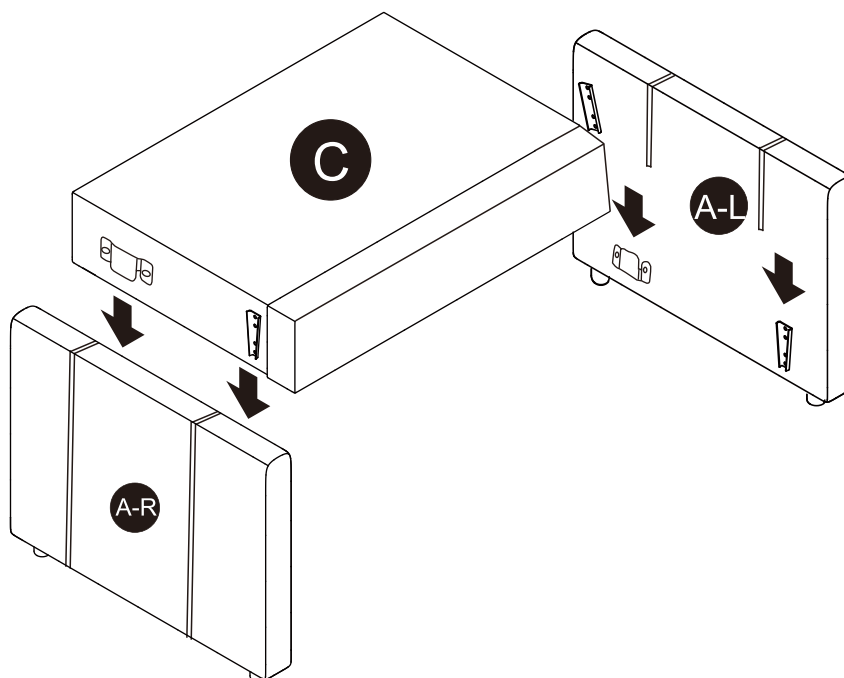


Step 1

I x4

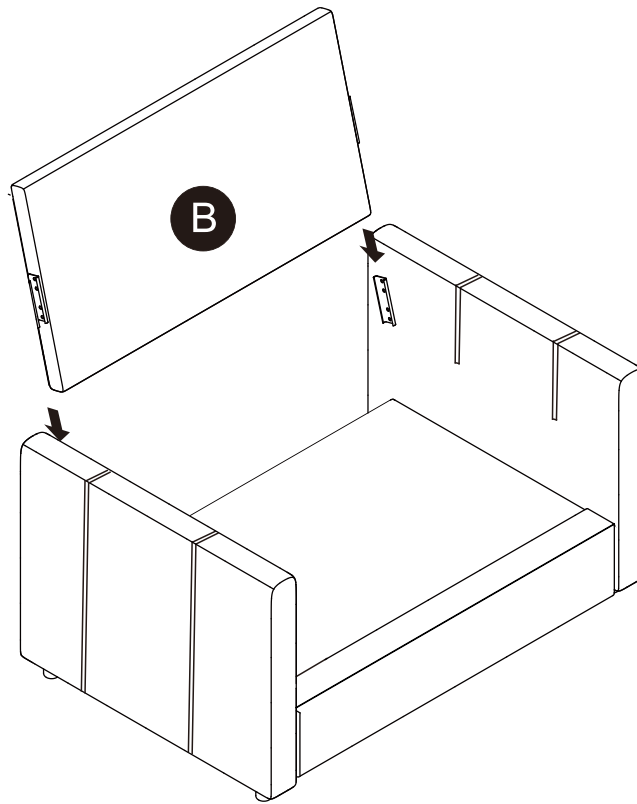


Step 2

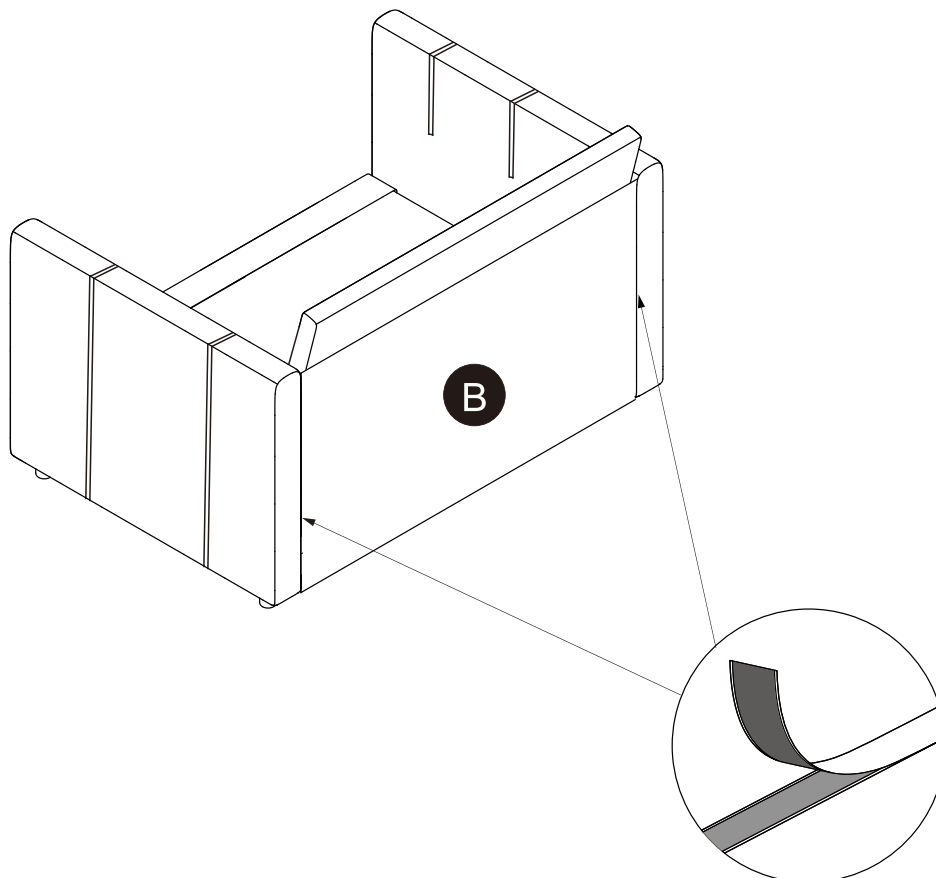


Please put armrests on the ground and lift the seat frame to inset into armrests.

Step 3

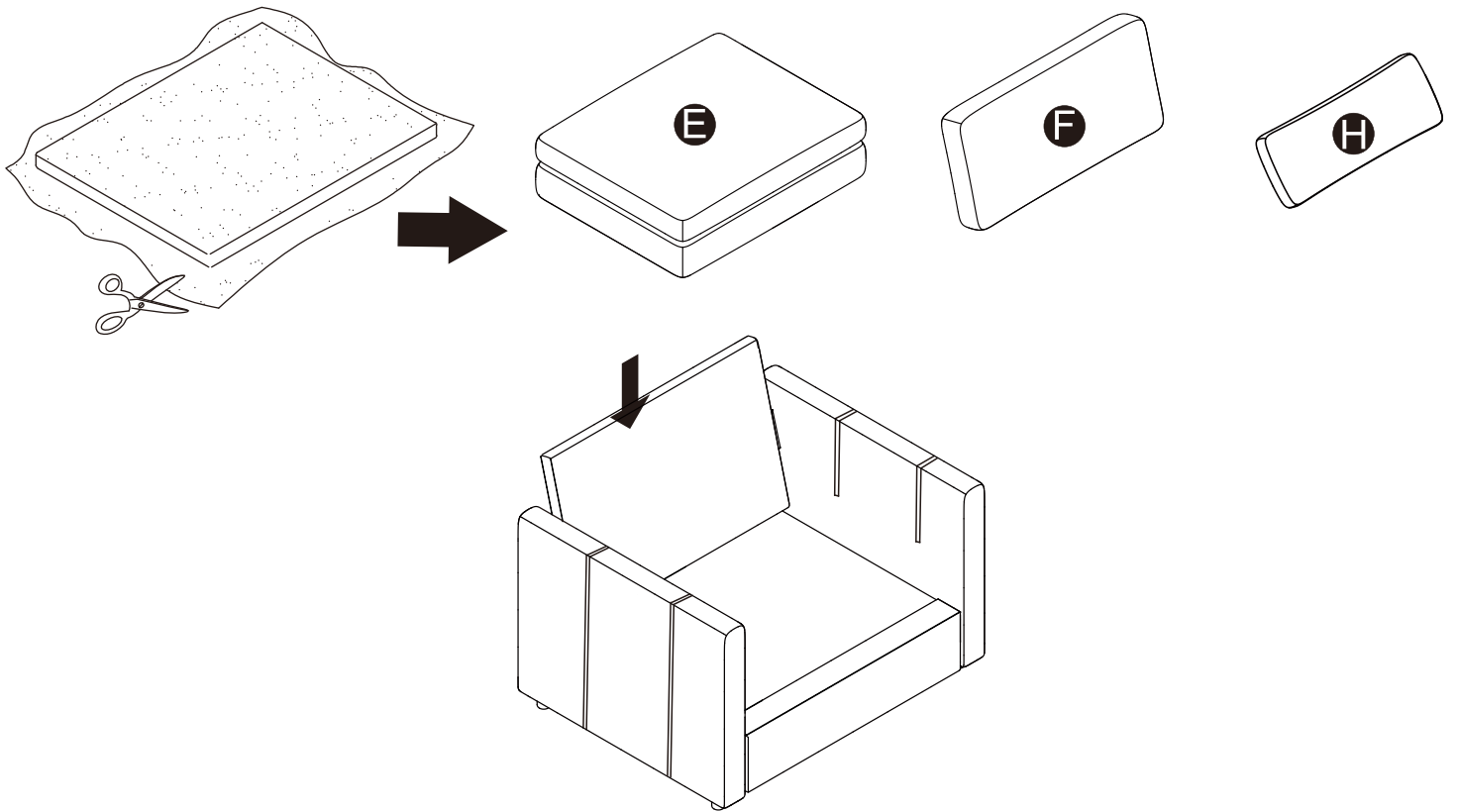


Step 4



Attach the velcro on the 2 sides of the back.

Step 5



Step 6 The product has compression parts,
Please pat them by hand and wait 72 hours, the cushions will be recover.

