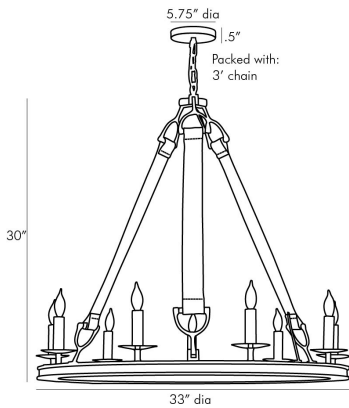


ARTERIORES

CHANEY CHANDELIER



84031

H: 31 IN, Dia: 33.00 IN

Bronze

Contract Suitable As Is

The Chaney saddles up to rustic sophistication with its unique and unparalleled style. Three brown leather bands suspend a hand-hammered iron base adorned with nine candlestick-style arms in a contrasting antique brass finish. Each leather band is accented with an antique brass detail reminiscent of bridle bits delivering an equestrian quality to its industrial form. Shown with clear bent-tip candelabra bulbs. Damp-rated, although limited covered outdoor conditions may affect finish.

APPEARANCE

Material	Iron, Leather
Finish	Antique Brass, Bronze, Brown
Top Coat/Sealant	false

DIMENSIONS

Chandelier	H: 30 IN, Dia: 33.00 IN
Minimum Hanging Height	31 IN
Maximum Hanging Height	67 IN
Canopy	H: .5 IN, Dia: 5.75 IN

WIRING

Rating	Damp
Cord	10 FT IN, Clear/Silver, SVT
Socket	9, Type B=E12 Other
Photographed Bulb	Clear Bent Tip Candelabra Bulb
Maximum Watt	40
Voltage	110-120 V

CERTIFICATIONS

Cerifications	Mexico United States, Canada
---------------	---------------------------------

COMPLIANCE

UL/ETL	Yes
RoHS	true

SHIPPING

Product Weight	37.5 LBS
Gross Weight 1	60.8 LBS
Shipping Box 1	H: 11 IN, L: 39 IN, W: 39 IN

REPLACEMENT PARTS

Replacement Part 1	CHN-212
Replacement Part 1 Dim	3'
Replacement Part 2	CANOPY-411
Replacement Part 2 Dim	1" x 5.5"