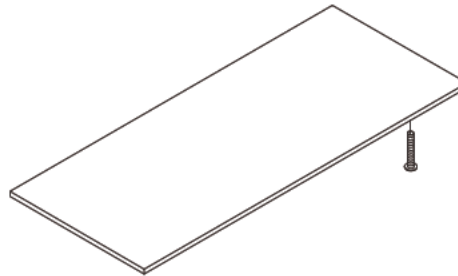


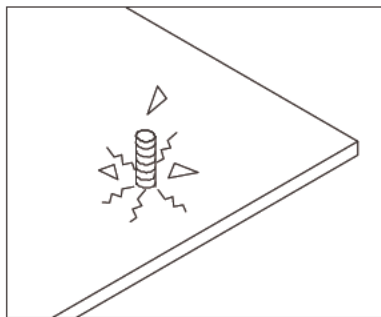
## 1. Matters needing attention

<b>! WARNING</b>	
	<p><b>Children have died from furniture tipover. To reduce the risk of furniture tipover:</b></p> <ul style="list-style-type: none"><li>-ALWAYS install Anti-tip device provided.</li><li>-NEVER put a TV on this product.</li><li>-NEVER allow children to stand, climb or hang on any drawers, doors, or shelves.</li><li>-NEVER open more than one drawer at a time.</li><li>-Place heaviest items in the lowest drawers.</li></ul> <p><i>This is a permanent label. Do not remove!</i></p>
	

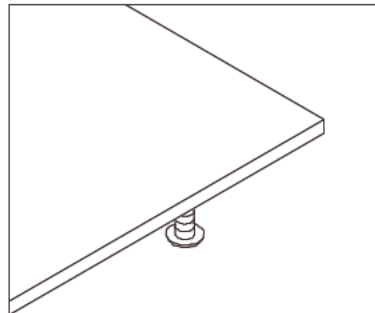
## 2. Matters needing attention



Be sure to use the proper screws to avoid damaging the parts



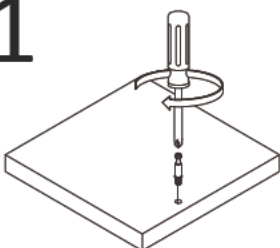
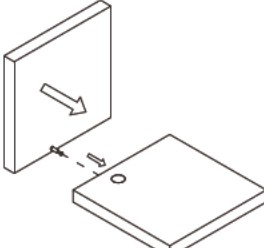
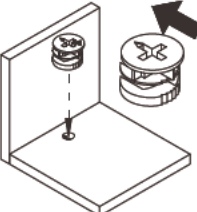
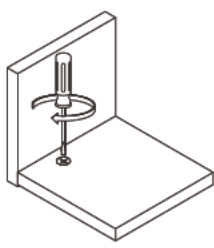
Wrong screws can cause the plank to crack



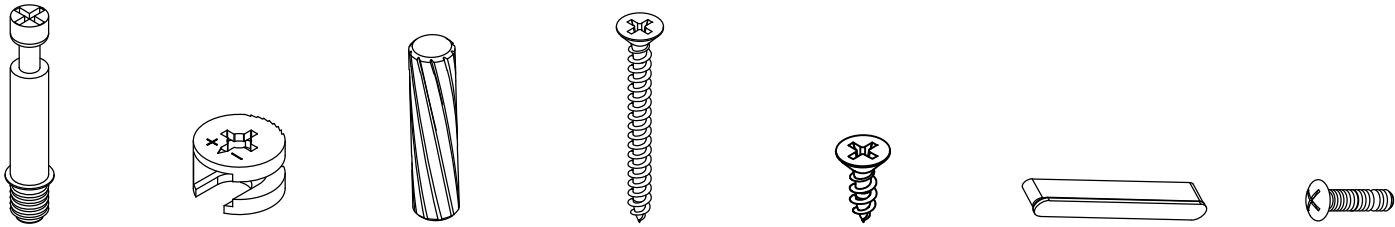
The right screw is the right size

## Cam Lock Fastening System

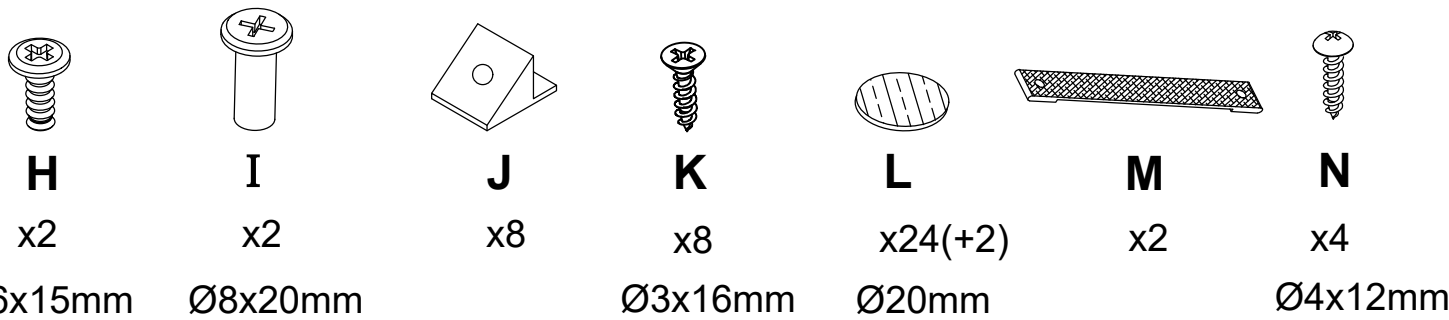
Insert the cam bolt into the hole first, then insert the cam lock and lock it.

<b>1</b> 	<b>2</b> 	<b>3</b>  The opening must point toward the edge of the board	<b>4</b> 
---	---	---	---

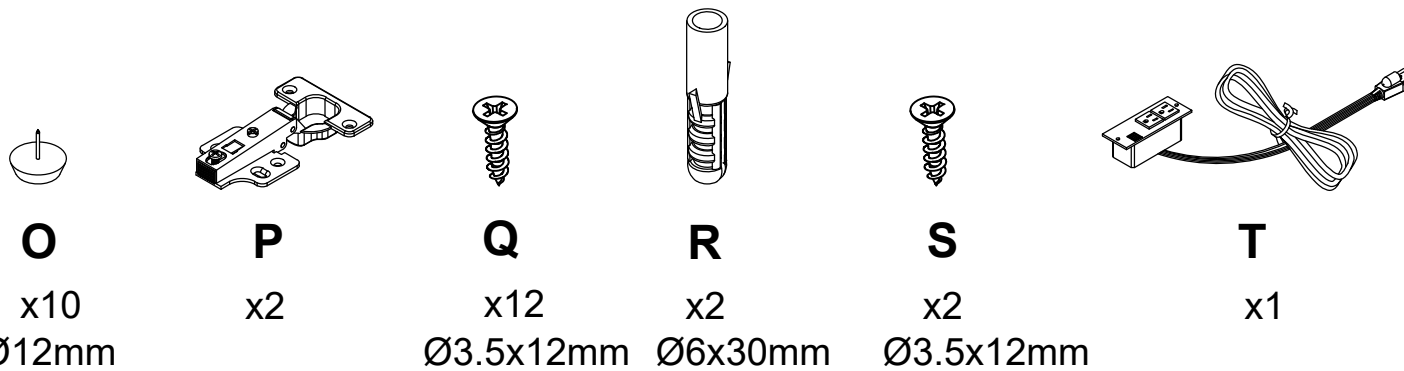
# Installation parts



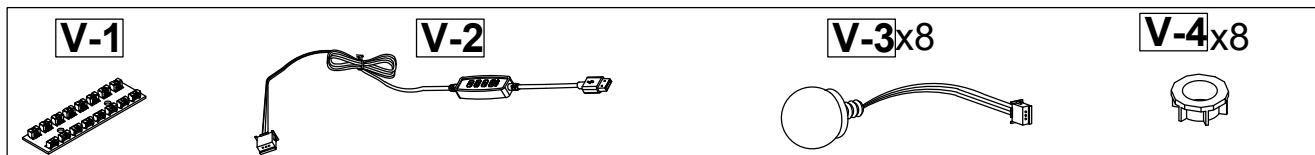
**A** x60(+2) Ø6x35mm  
**B** x60(+2) Ø15x10mm  
**C** x61(+3) Ø6x30mm  
**D** x50(+3) Ø4x35mm  
**E** x60(+3) Ø3.5x10mm  
**F** x5  
**G** x10



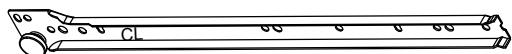
**H** x2 Ø6x15mm  
**I** x2 Ø8x20mm  
**J** x8  
**K** x8 Ø3x16mm  
**L** x24(+2) Ø20mm  
**M** x2  
**N** x4 Ø4x12mm



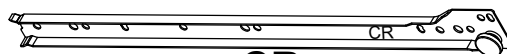
**O** x10 Ø12mm  
**P** x2  
**Q** x12 Ø3.5x12mm  
**R** x2 Ø6x30mm  
**S** x2 Ø3.5x12mm  
**T** x1



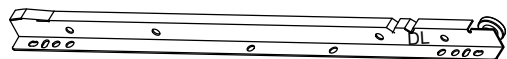
**V**  
x1



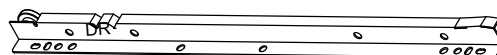
**CL**  
x5  
L300mm



**CR**  
x5  
L300mm

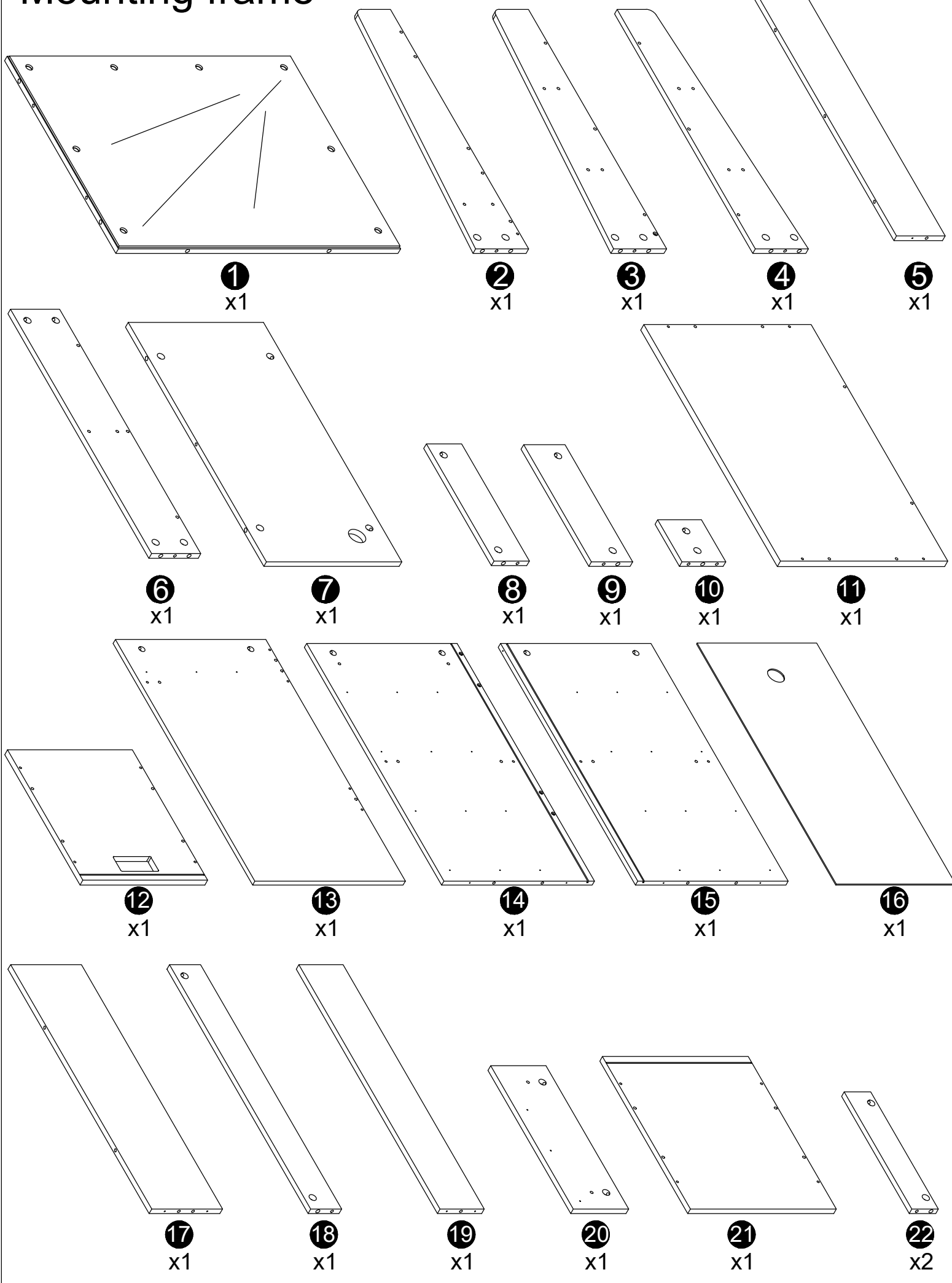


**DL**  
x5  
L300mm

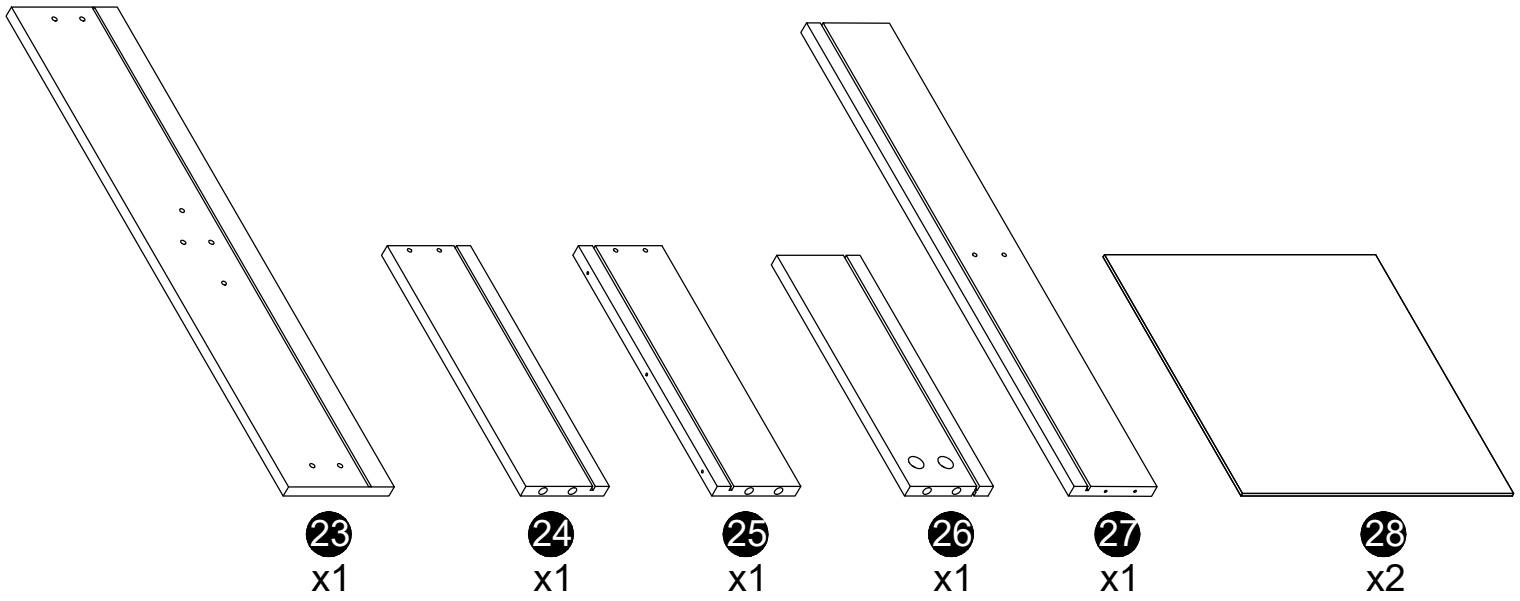


**DR**  
x5  
L300mm

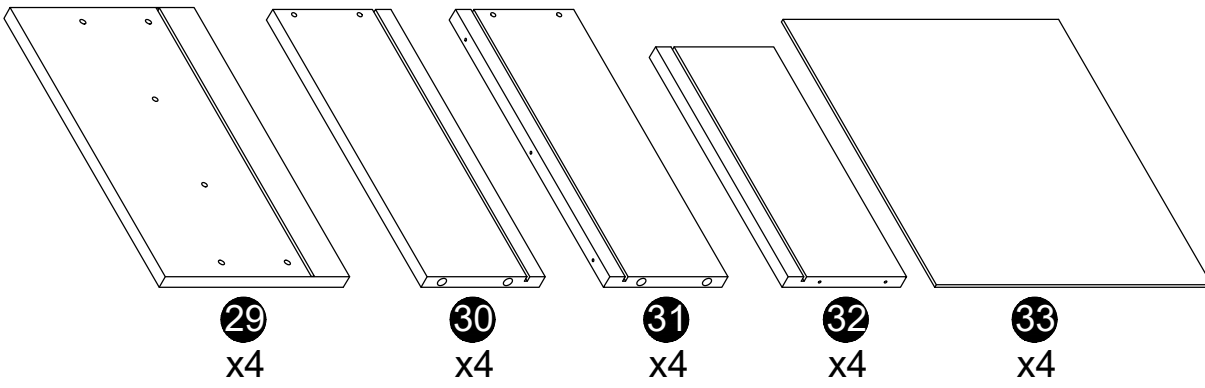
# Mounting frame



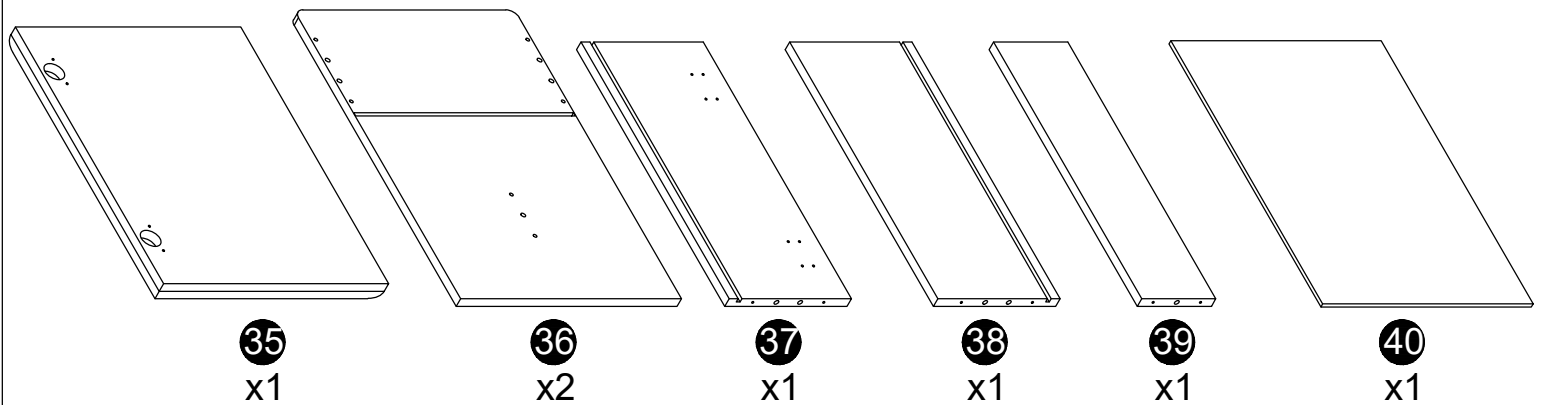
# Large drawer board



# Small drawer board

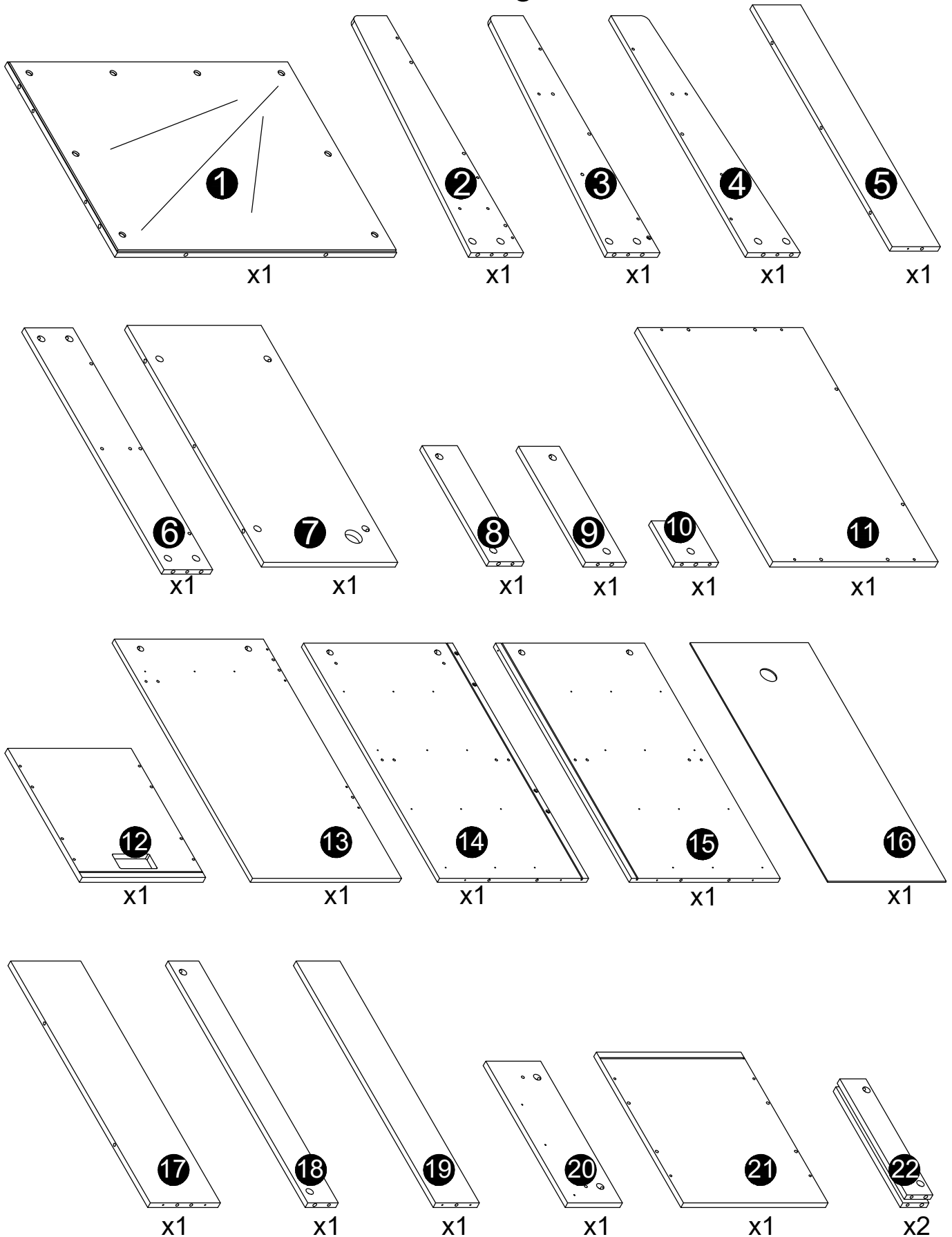


# Stool board

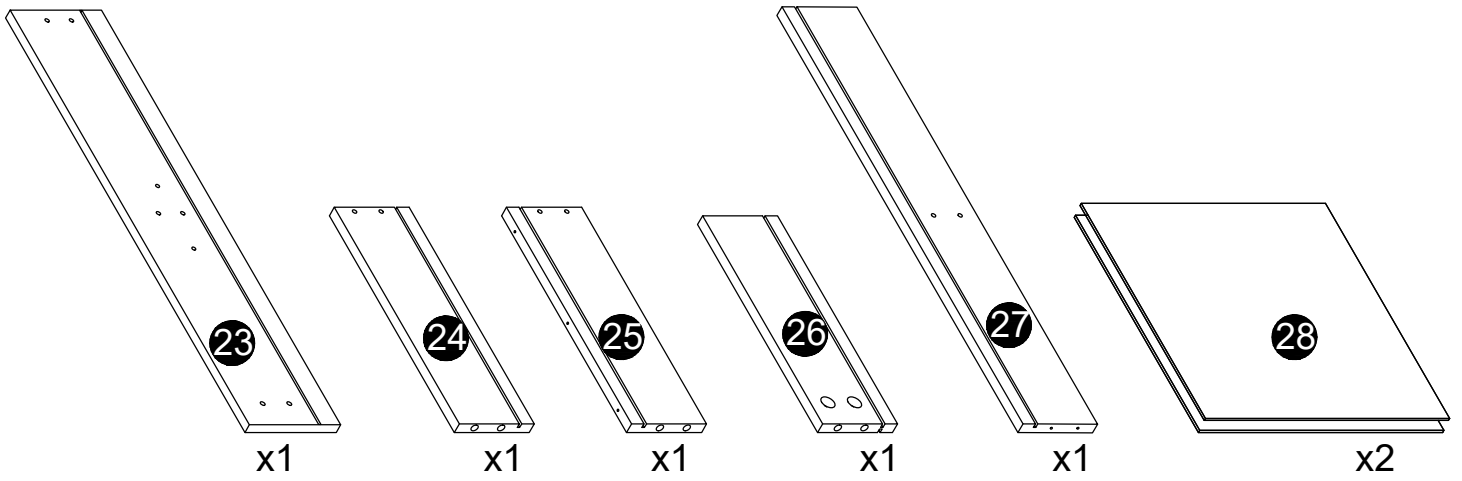


Please place all the boards in the order shown in the picture below, the installation will be easy and smooth.

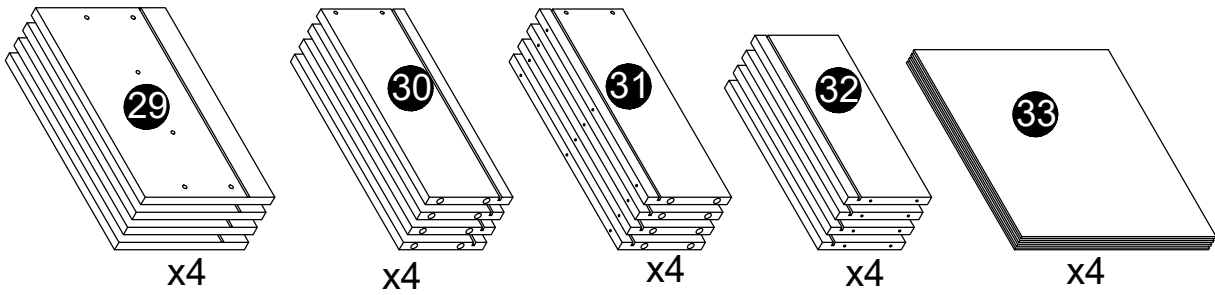
### Mounting framze



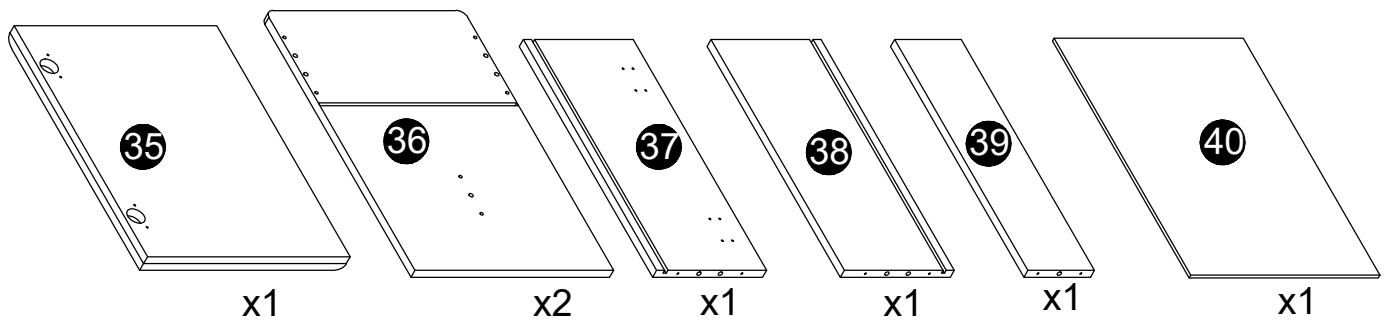
# Large drawer board

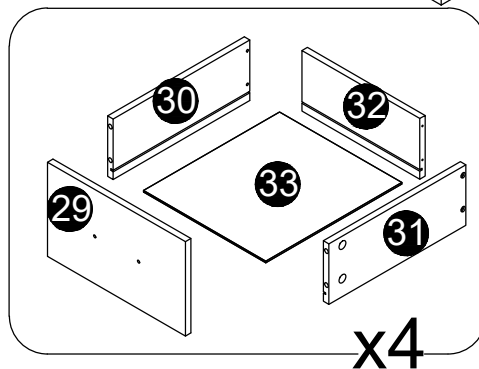
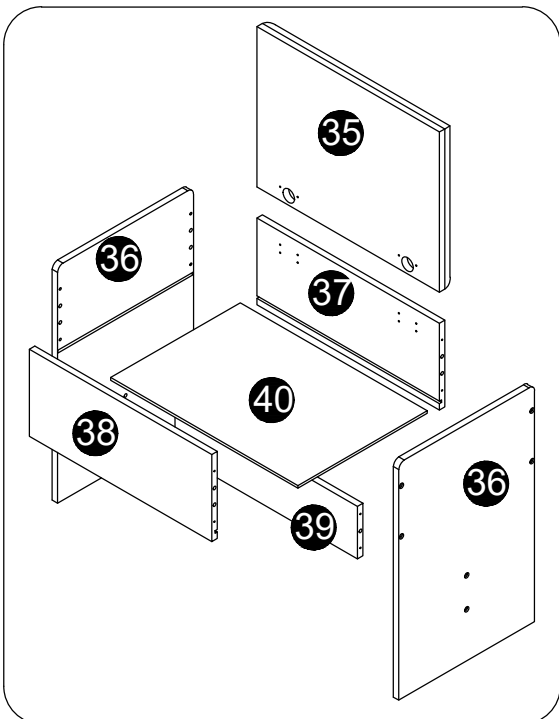
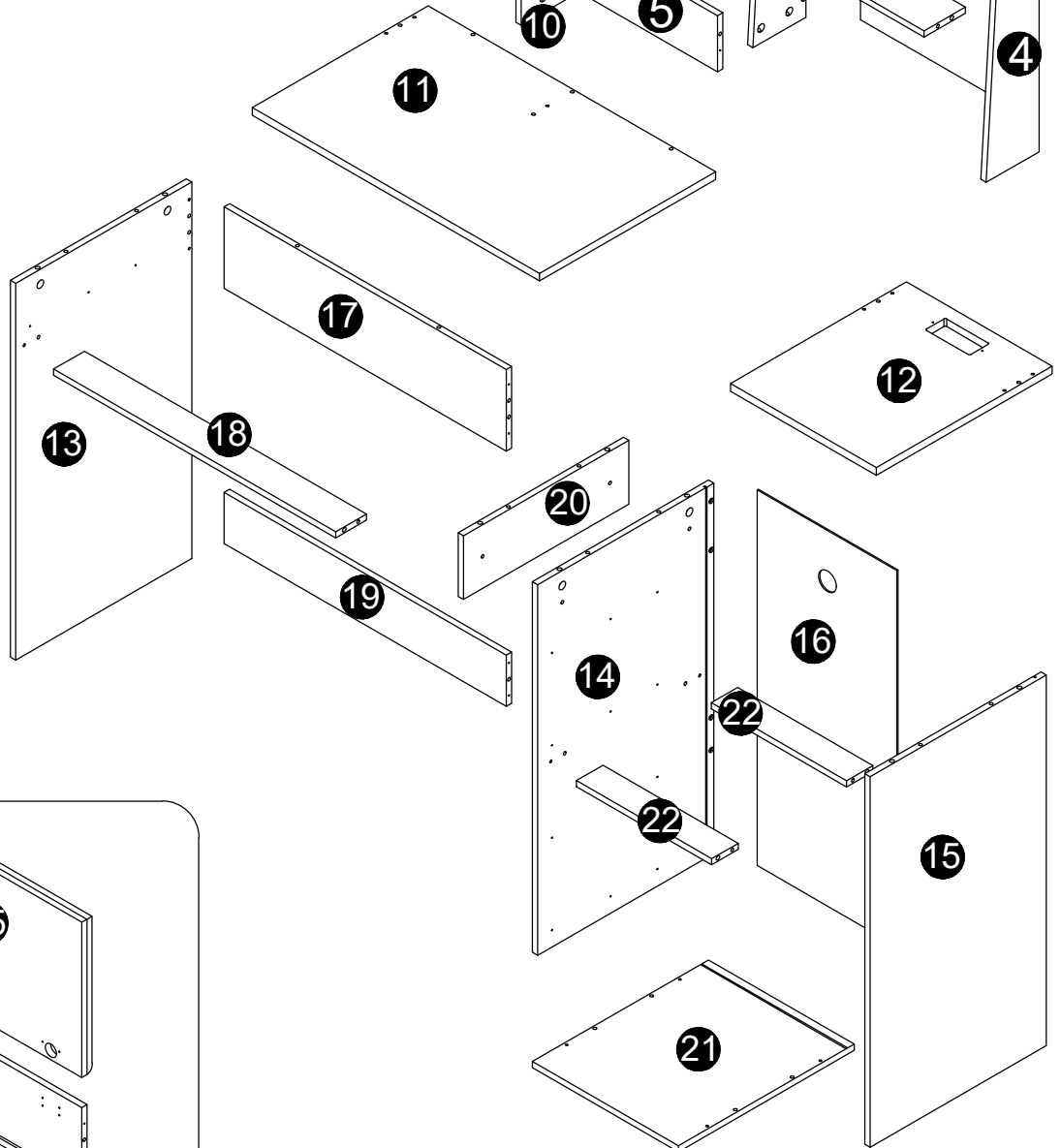
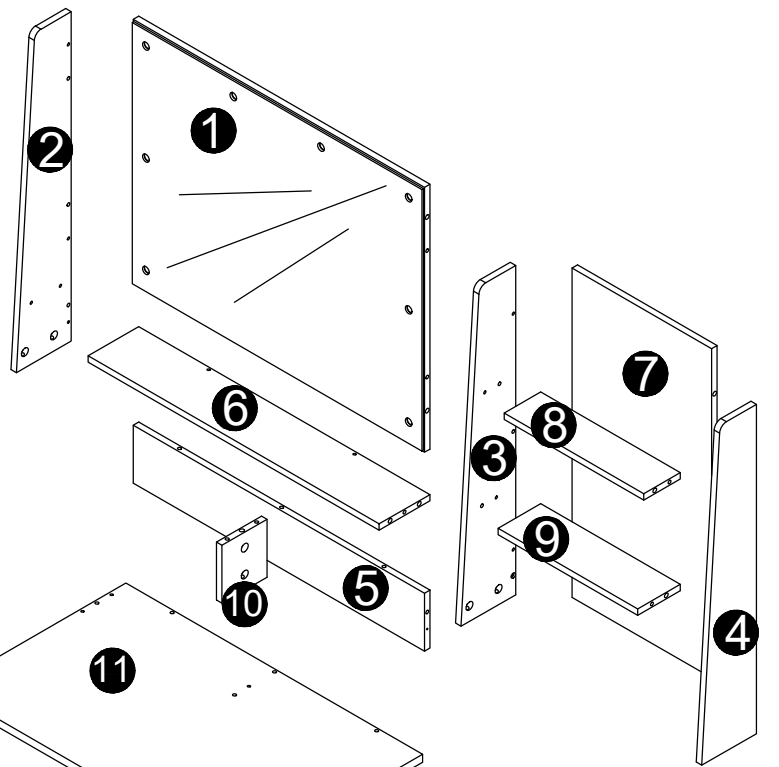
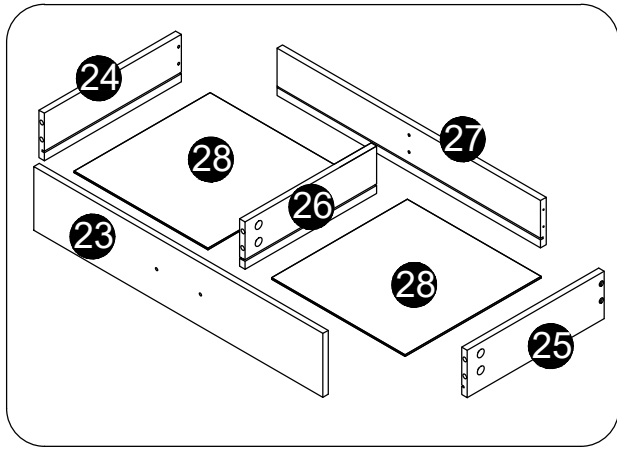


# Small drawer board



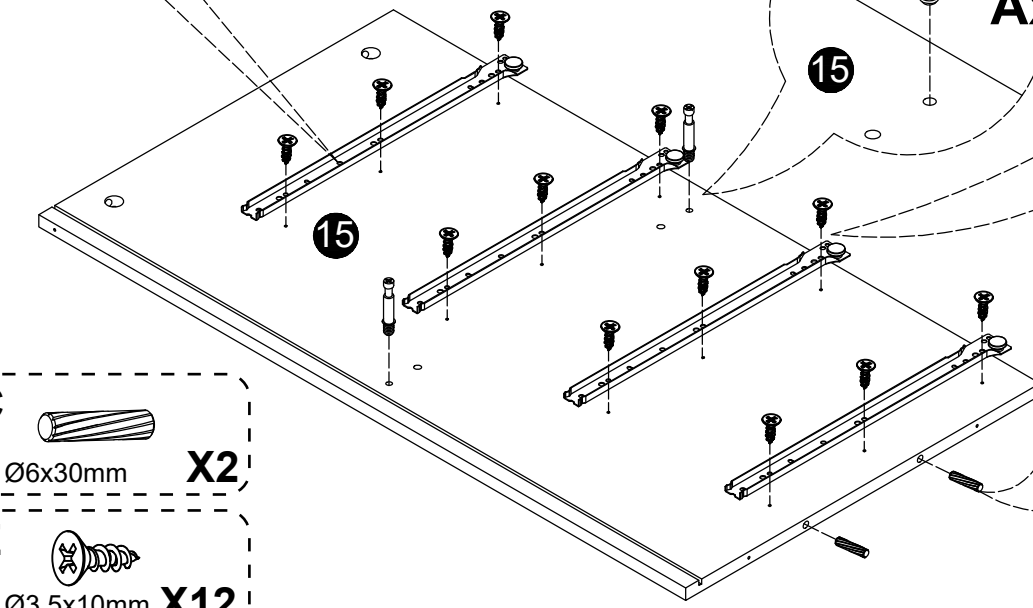
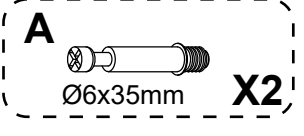
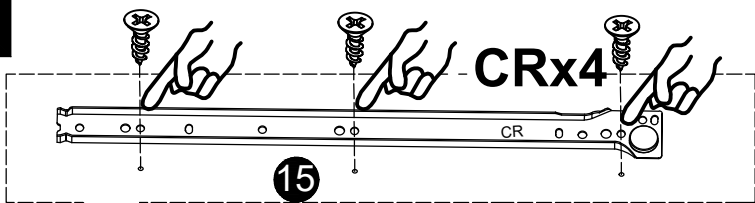
# Stool board





x4

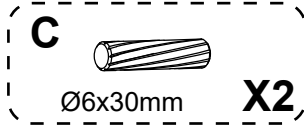
**1**



**Ax2**

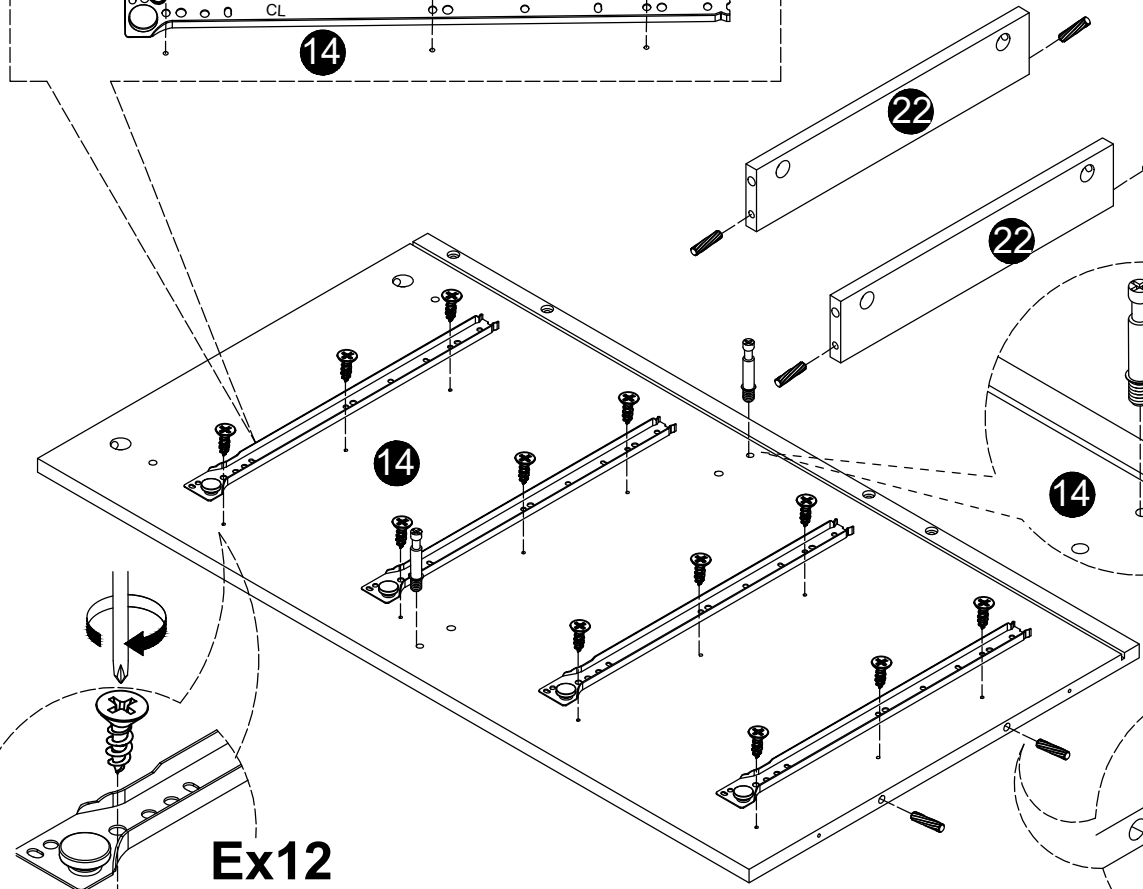
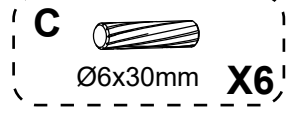
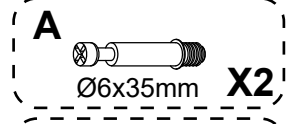
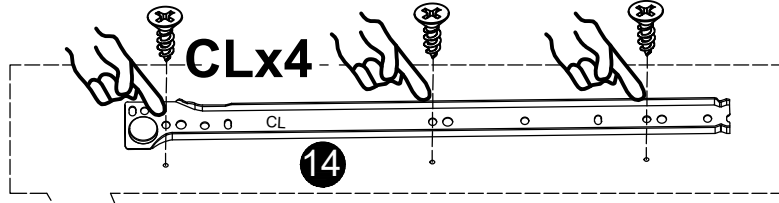
**15**

**Ex12**



**Cx2**

**2**



**Ax2**

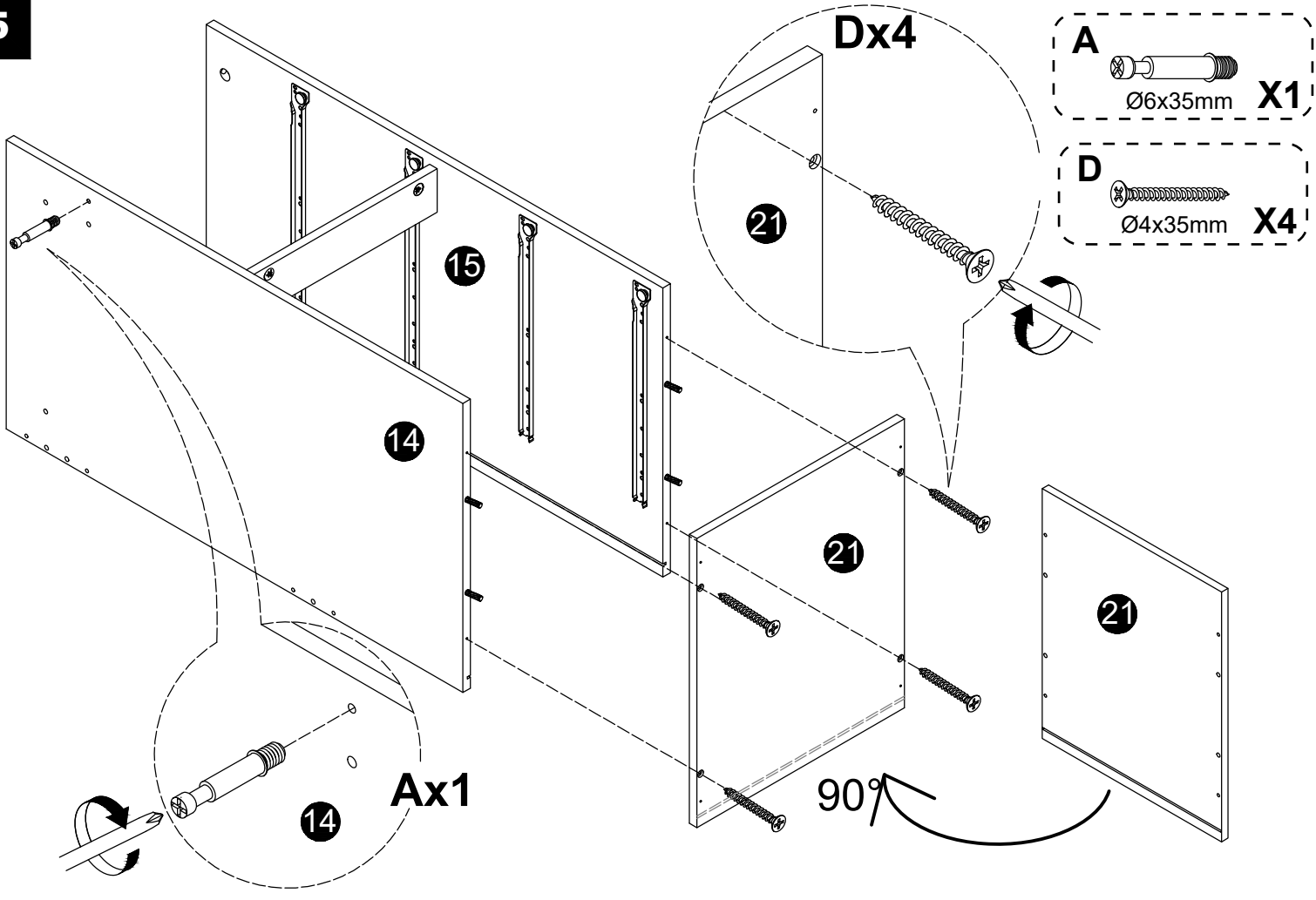
**14**

**Ex12**

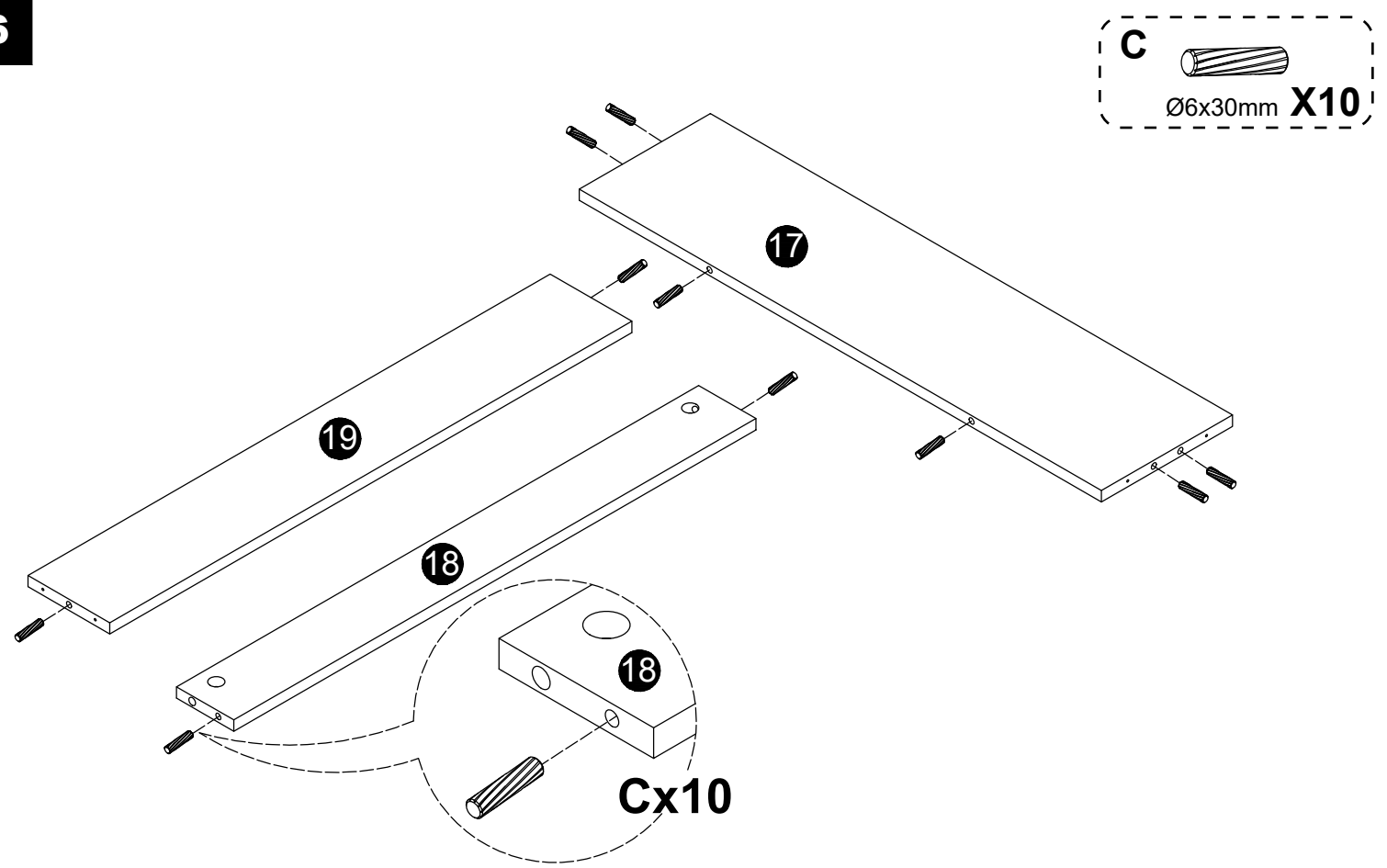
**Cx6**



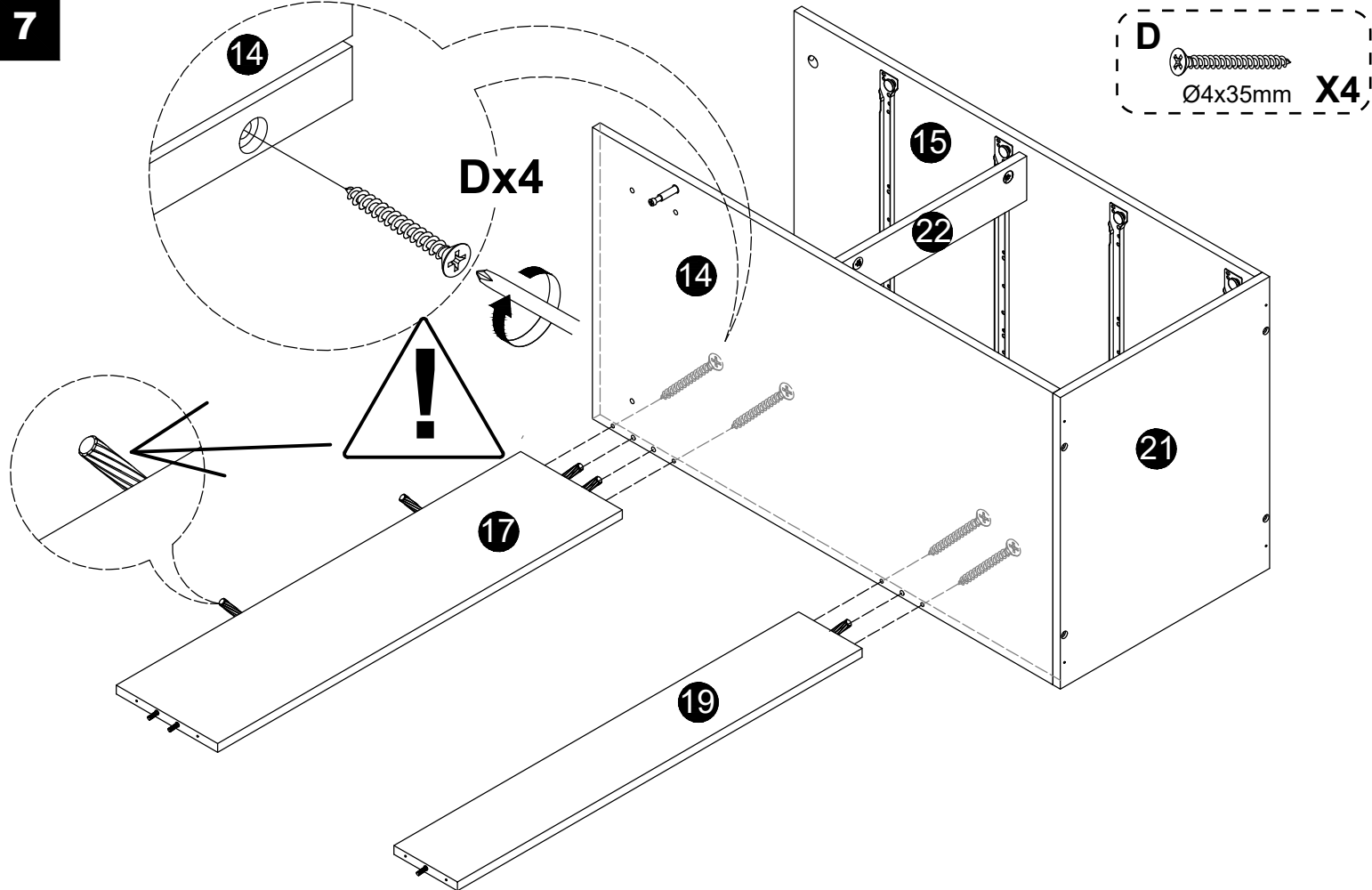
**5**



**6**

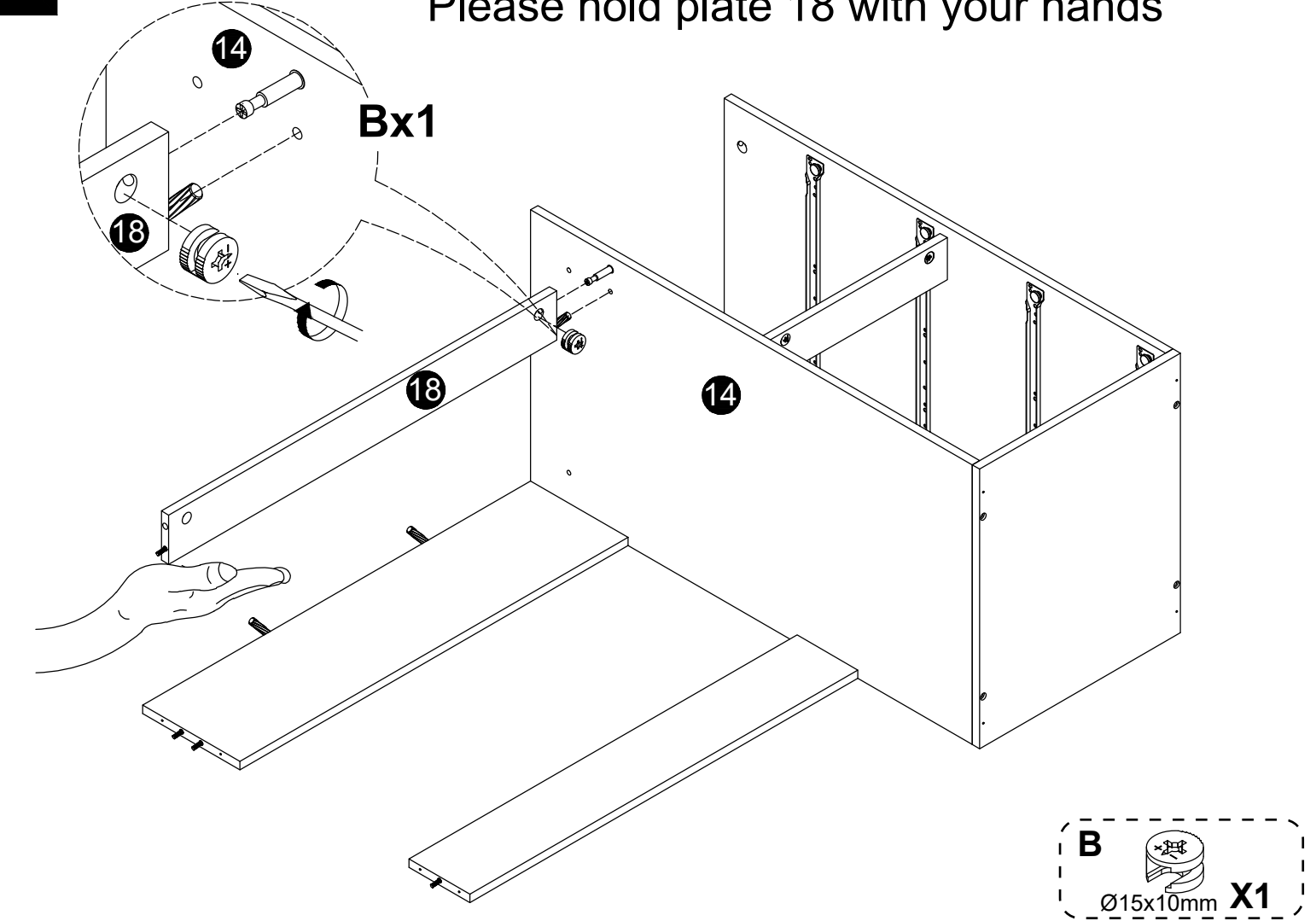


7

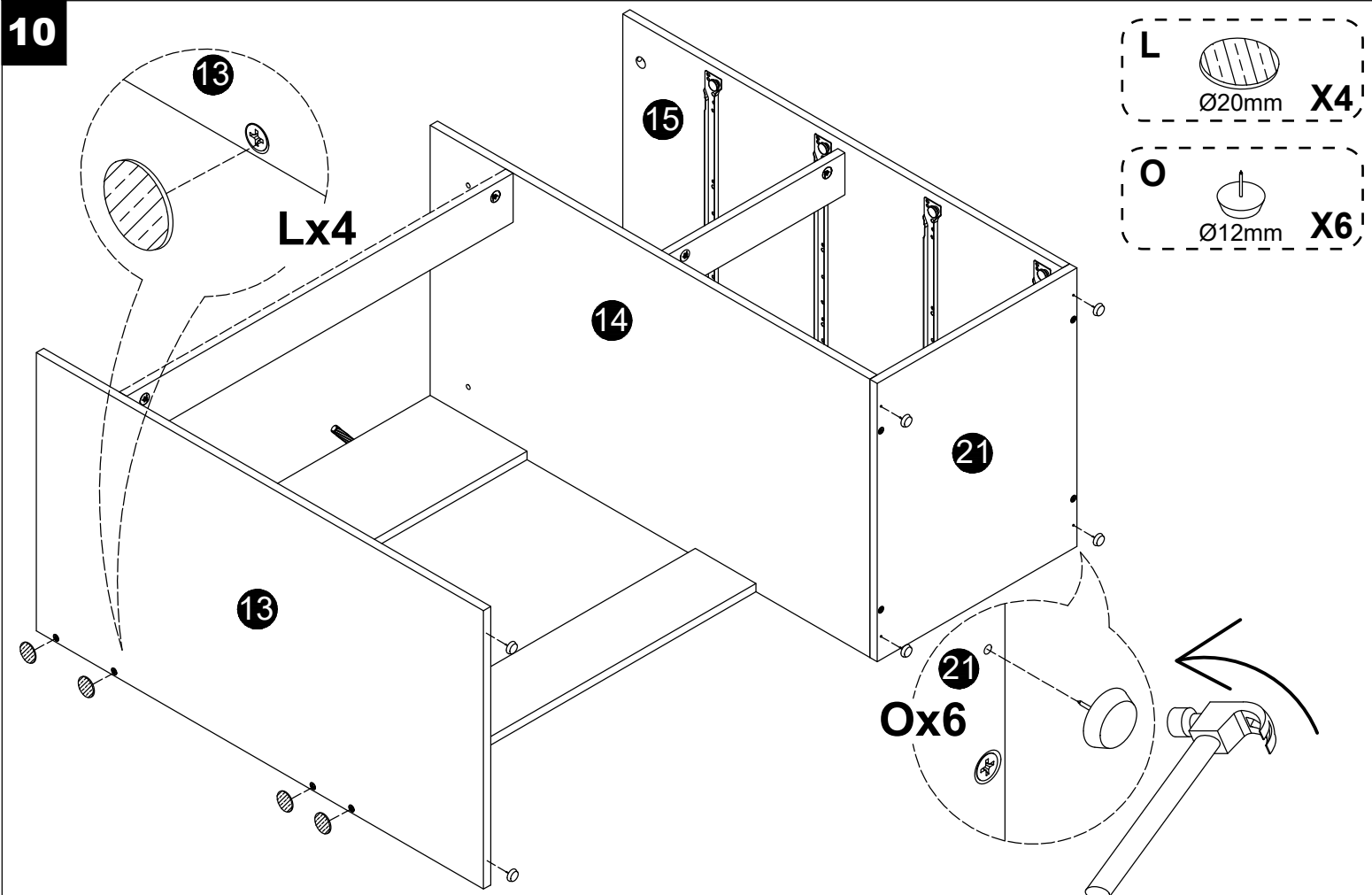
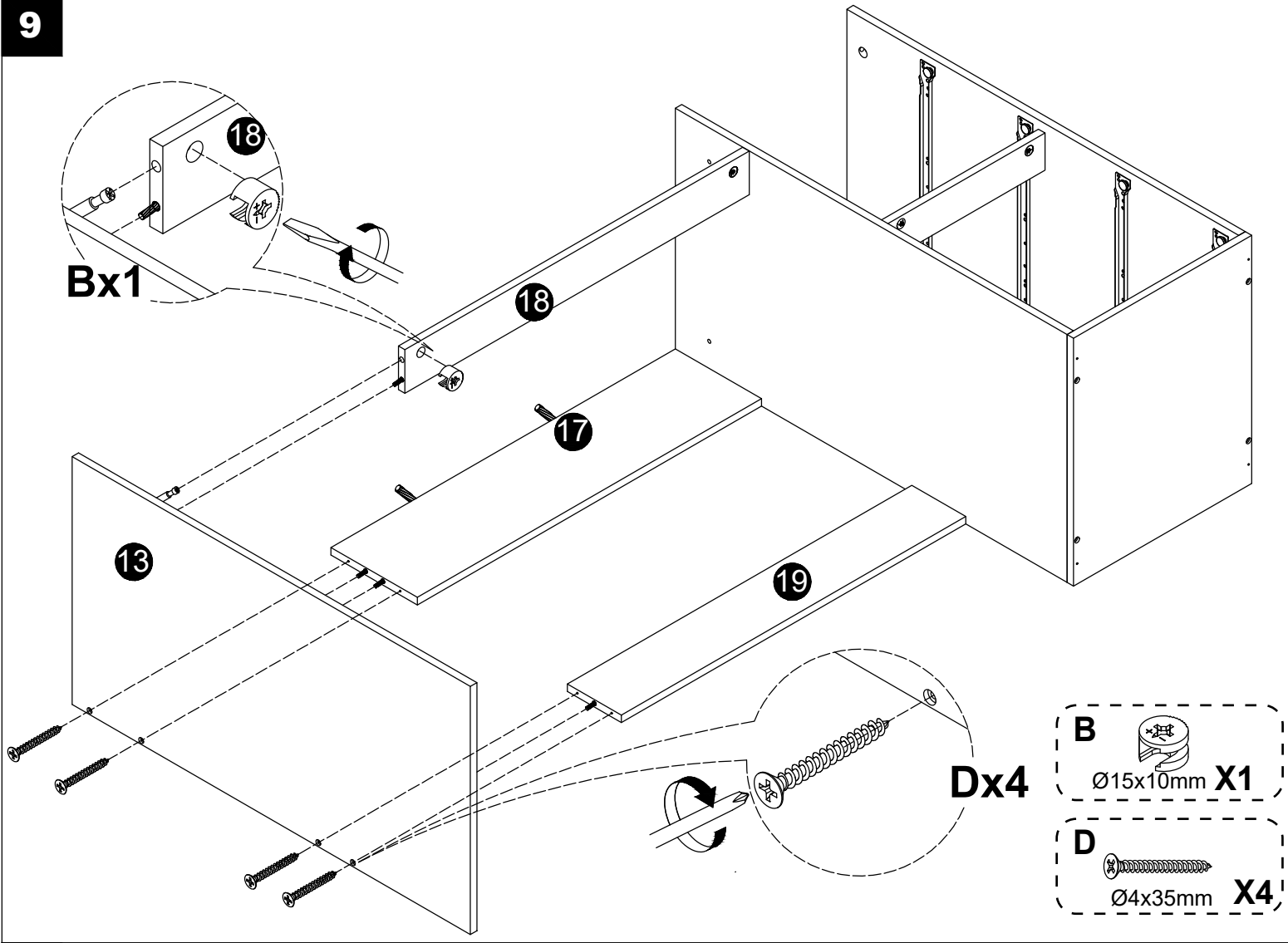


8

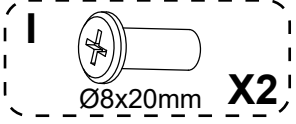
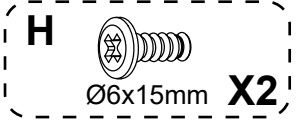
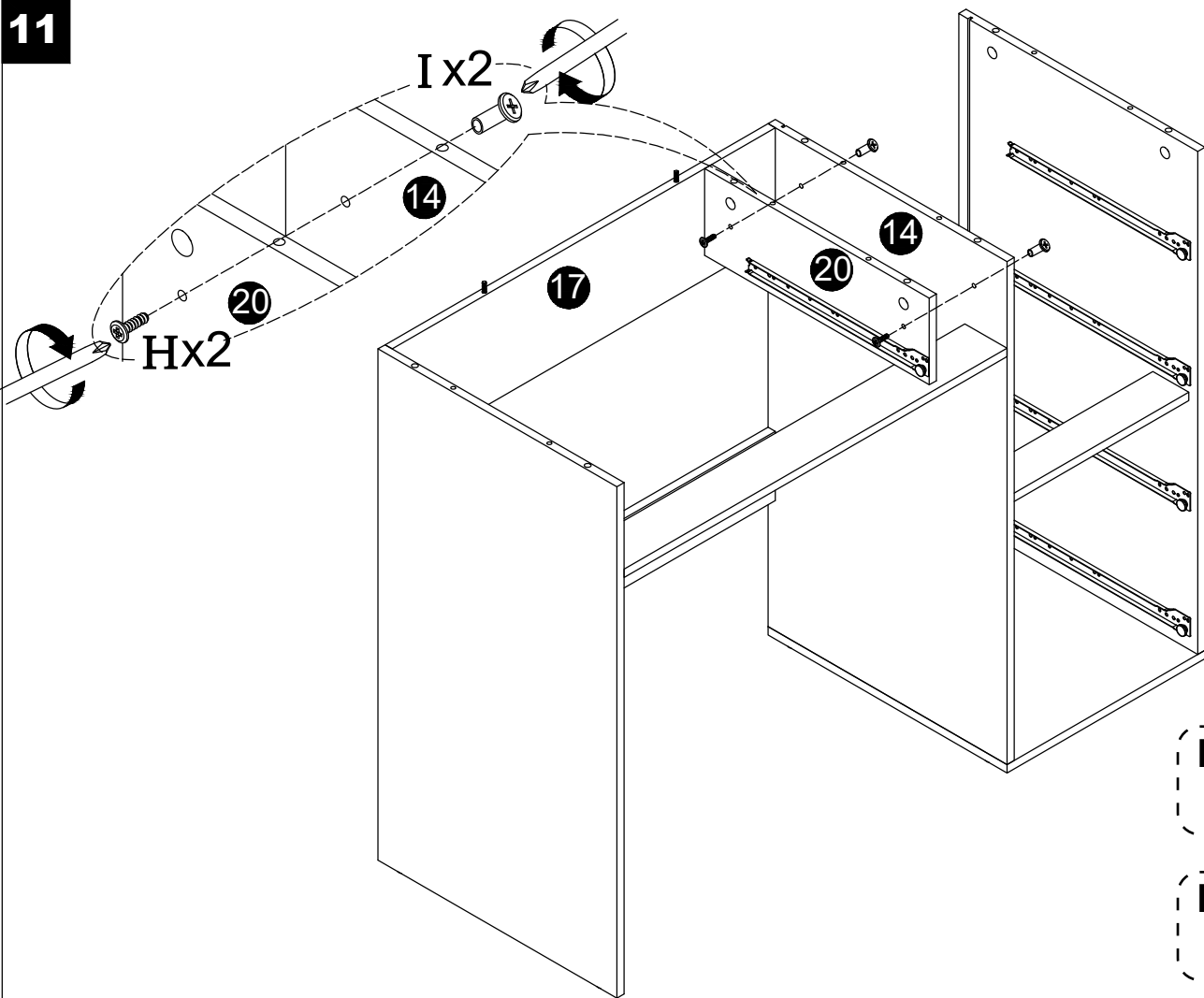
Please hold plate 18 with your hands



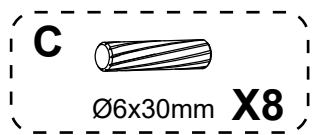
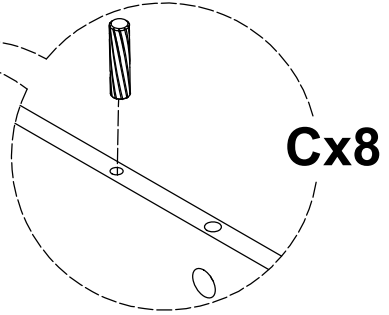
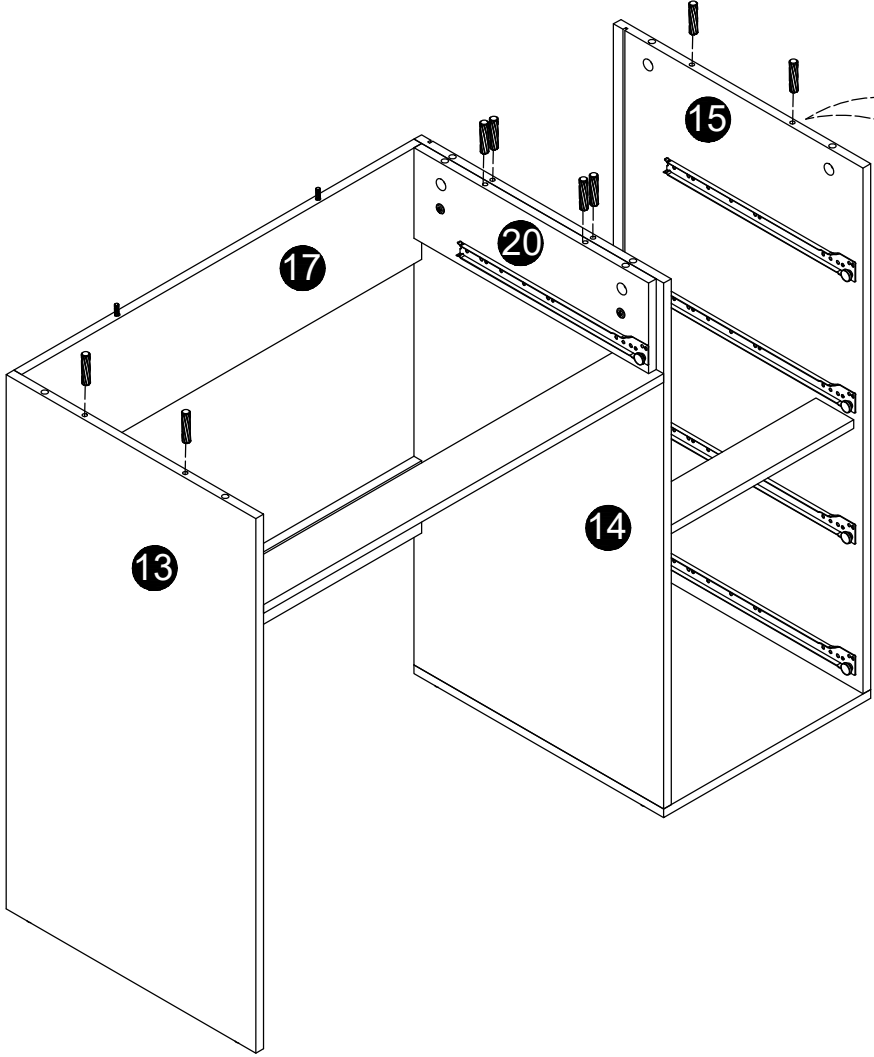
9

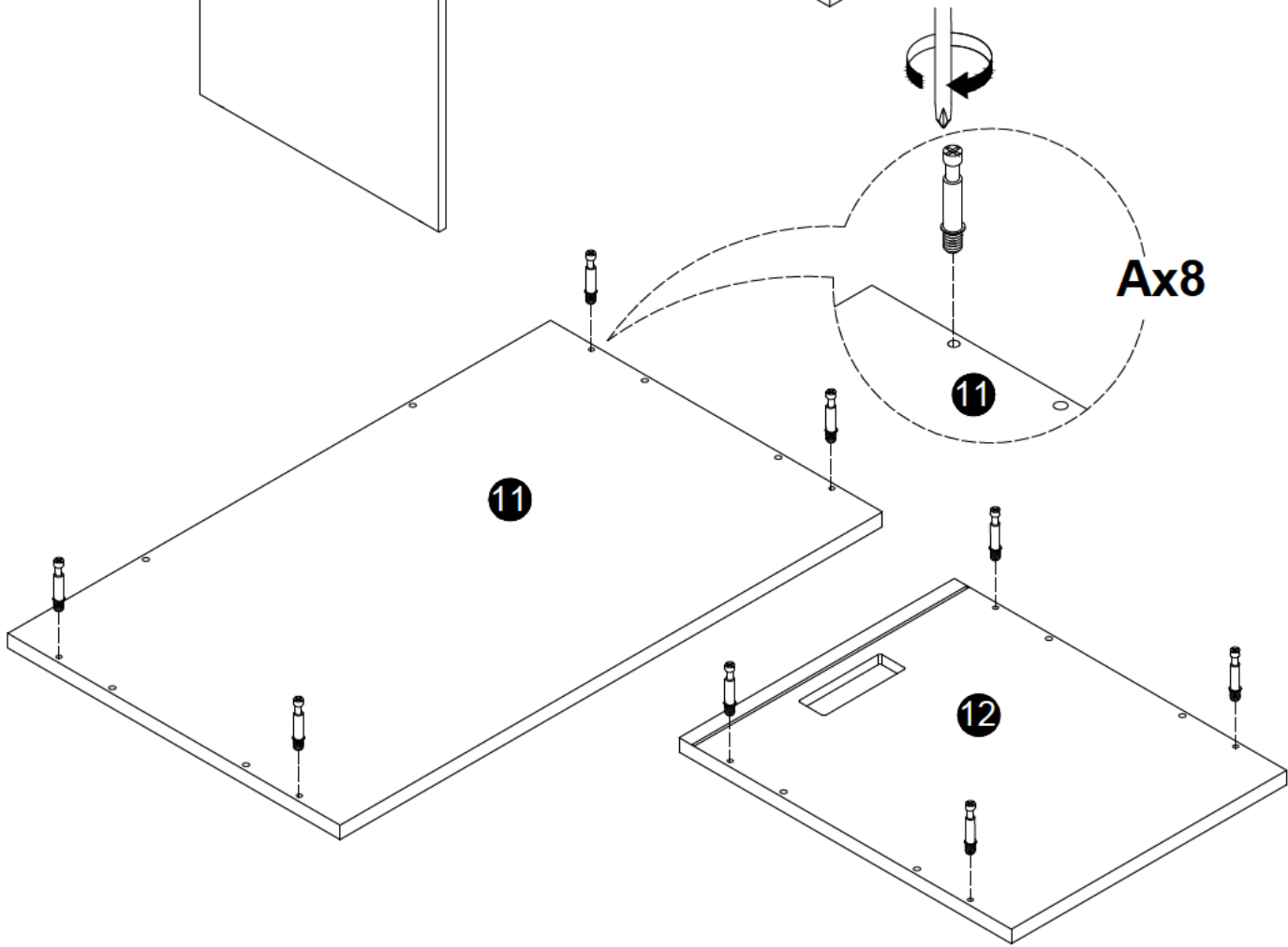
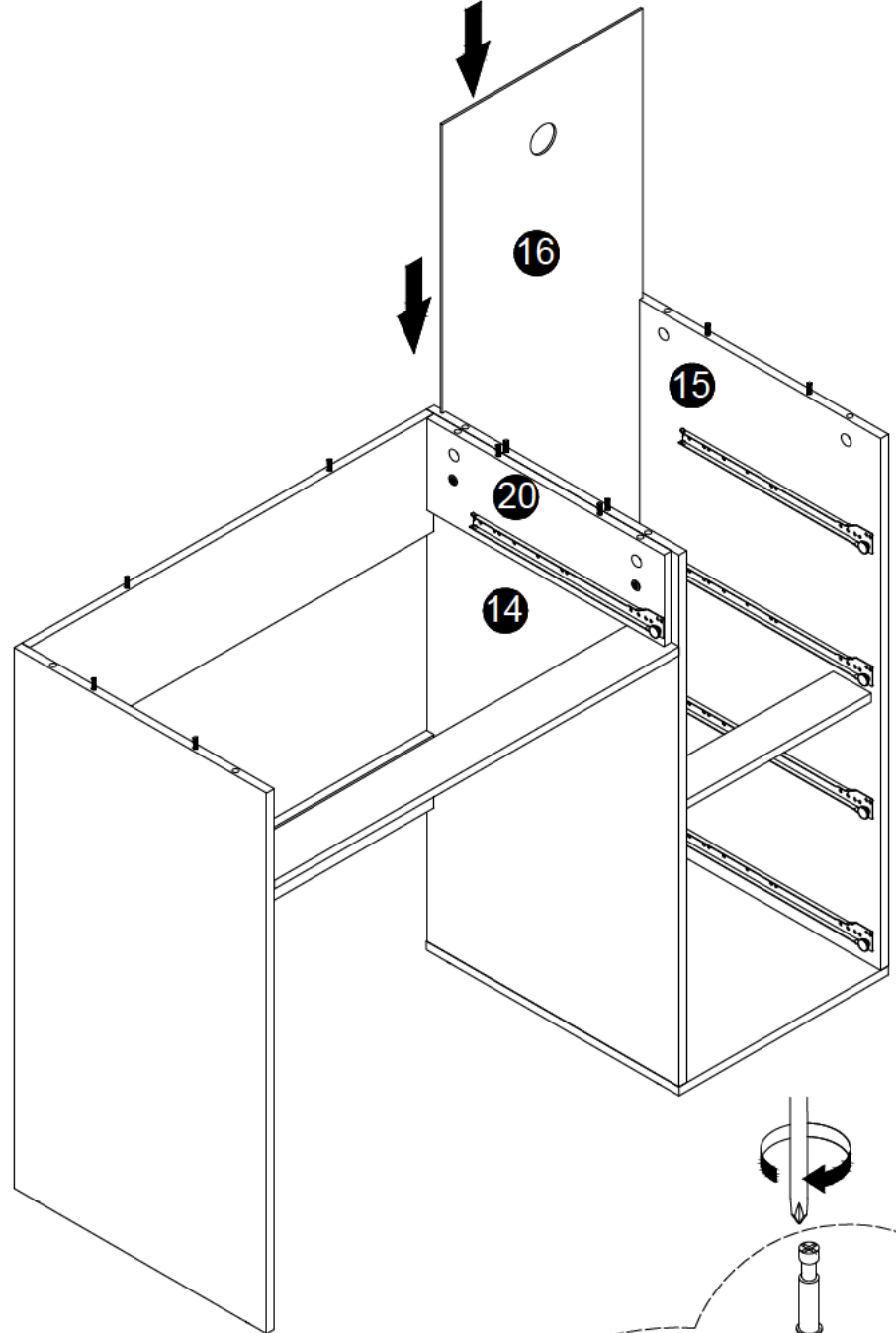
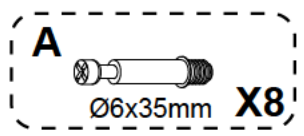


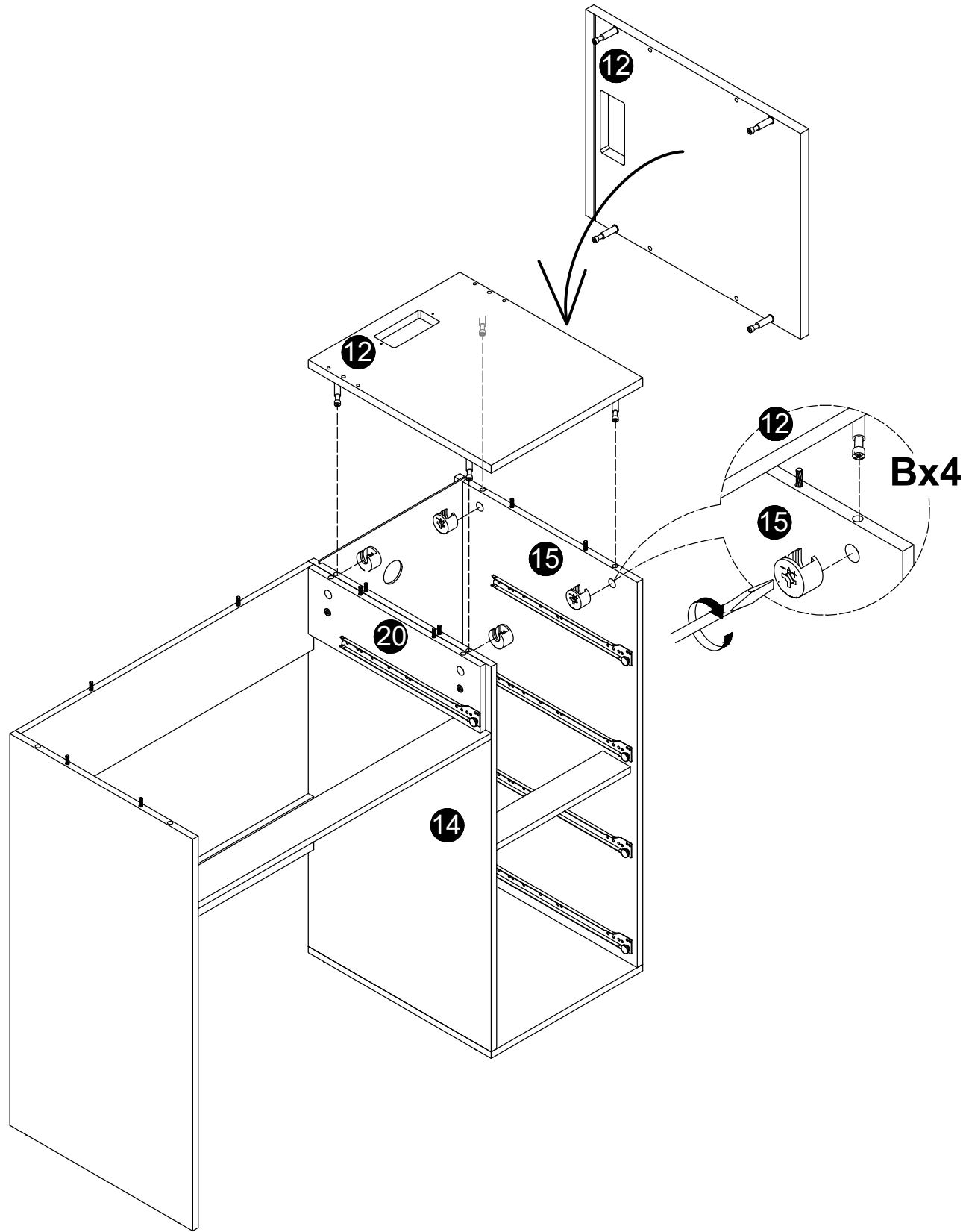
11




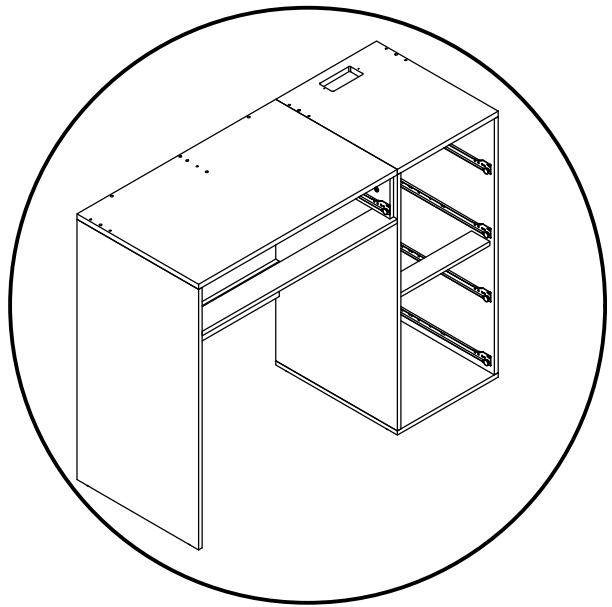
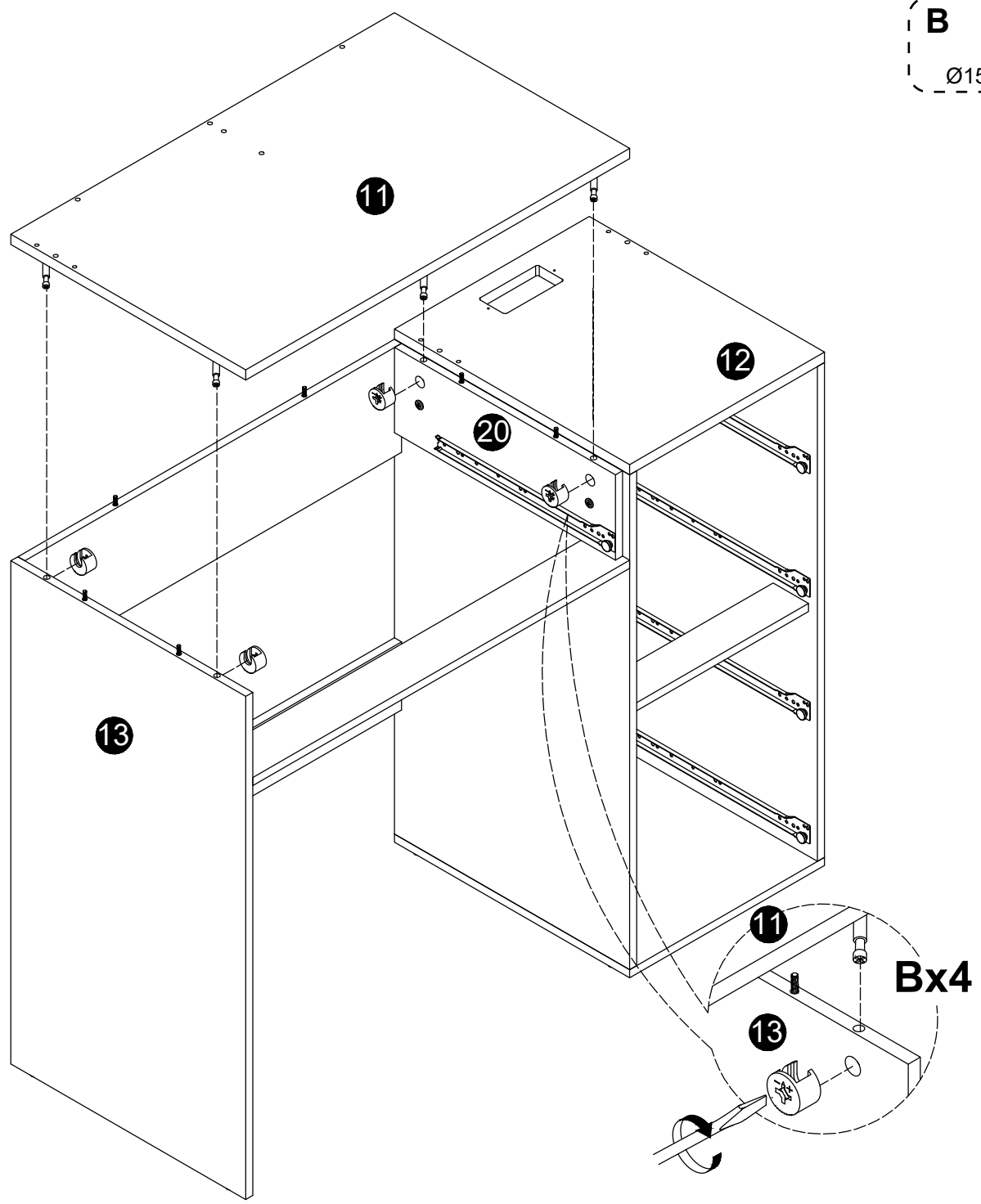
12

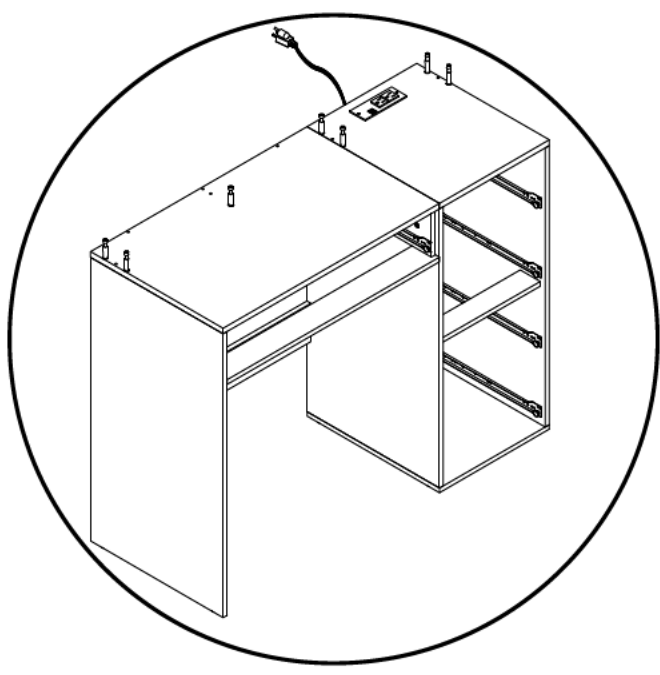
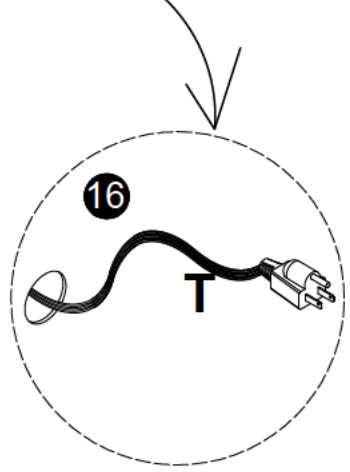
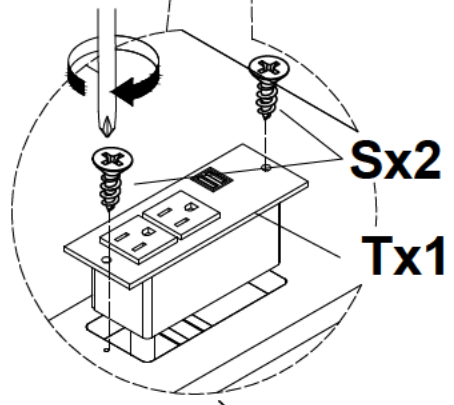
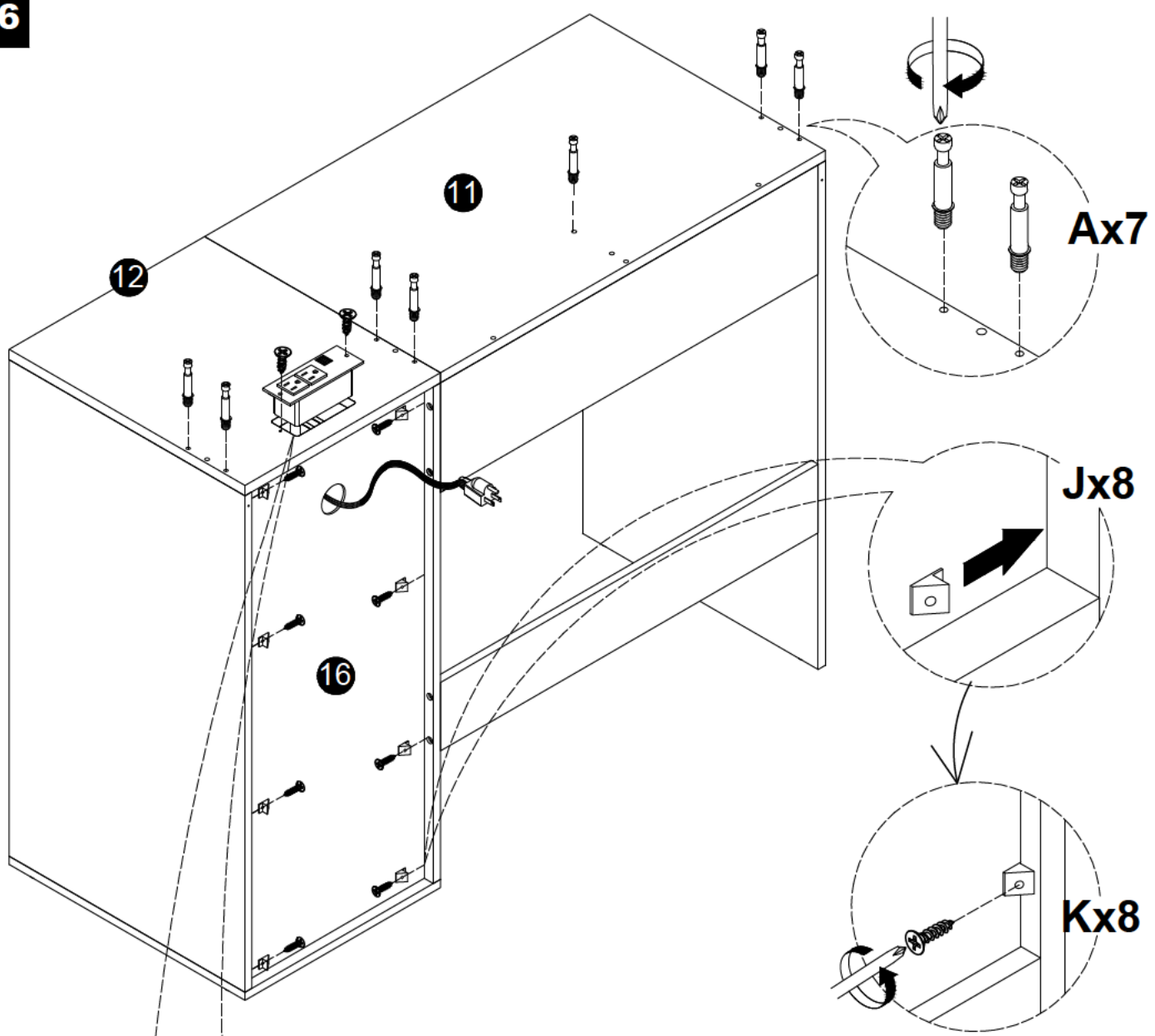


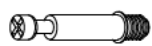
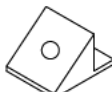







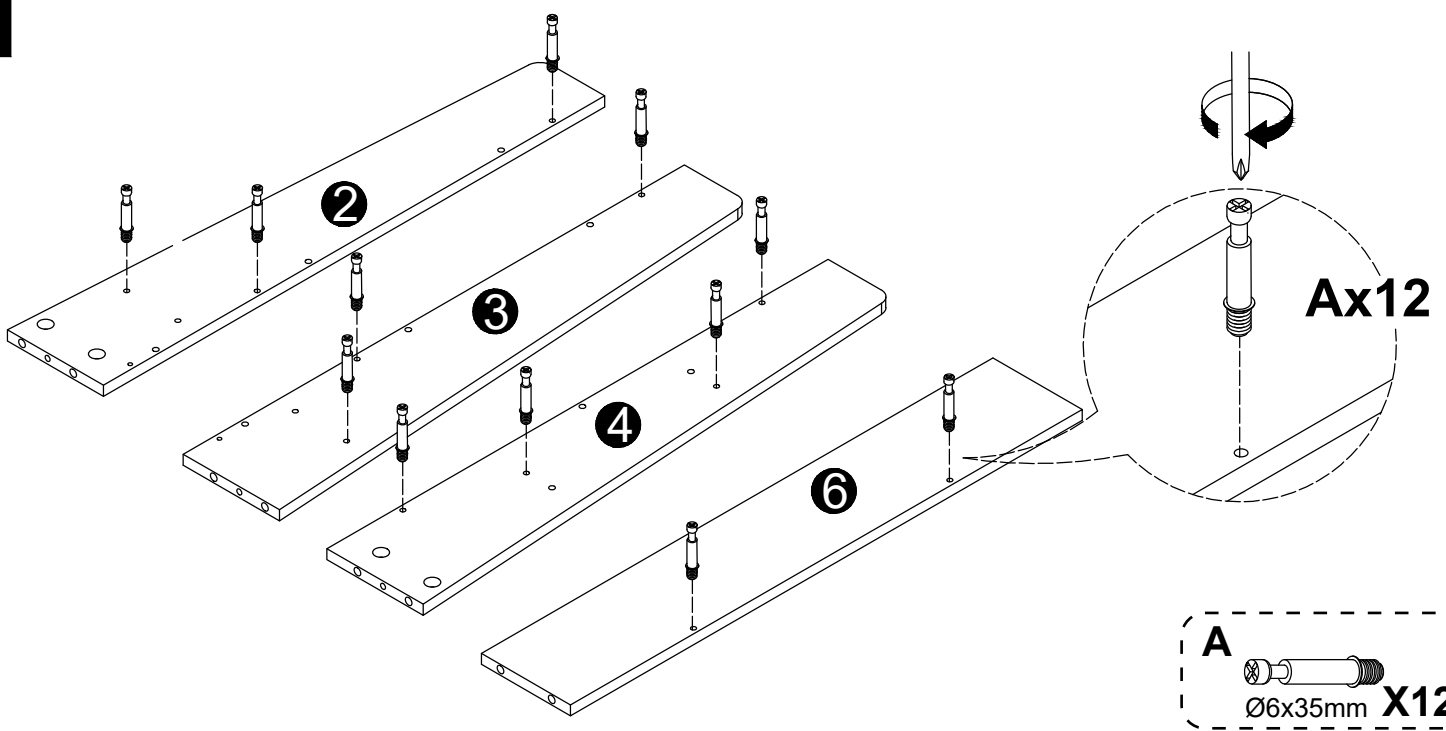
**B**   $\varnothing 15 \times 10 \text{mm}$  **X4**

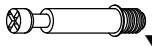




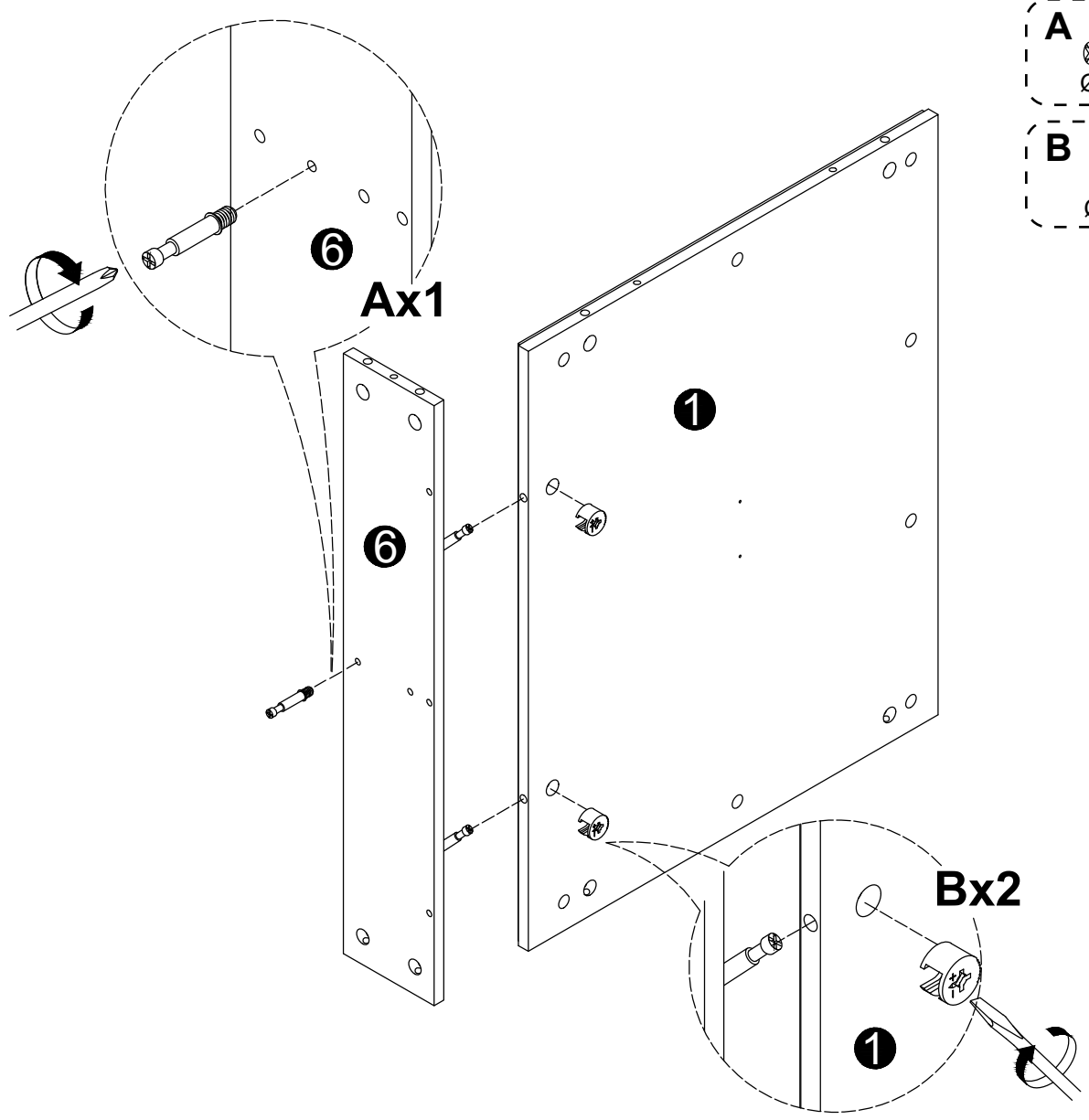
- A**   $\text{\O}6 \times 35\text{mm}$  X7
- J**  X8
- K**   $\text{\O}3 \times 16\text{mm}$  X8
- S**   $\text{\O}3.5 \times 12\text{mm}$  X2
- T**  X1

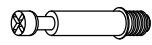
17




**A**  
  
 Ø6x35mm **X12**

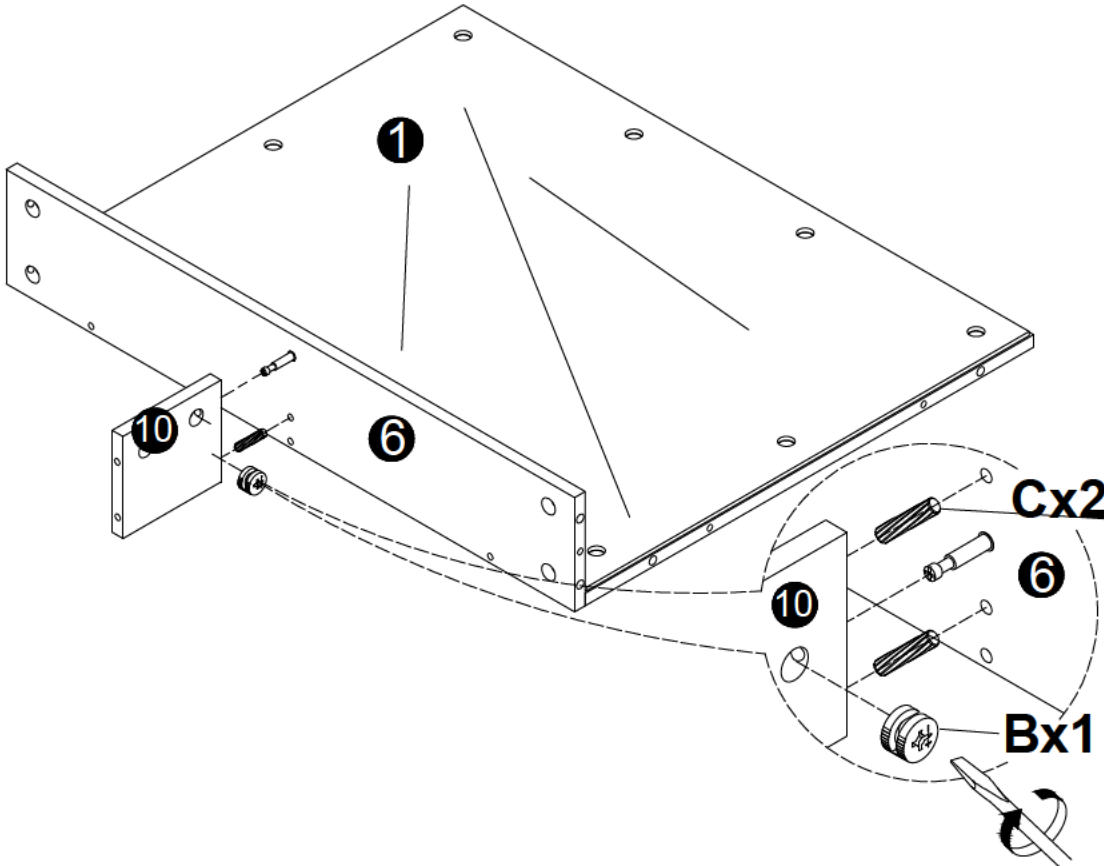
18





**A**  
  
 Ø6x35mm **X1**

**B**  
  
 Ø15x10mm **X2**

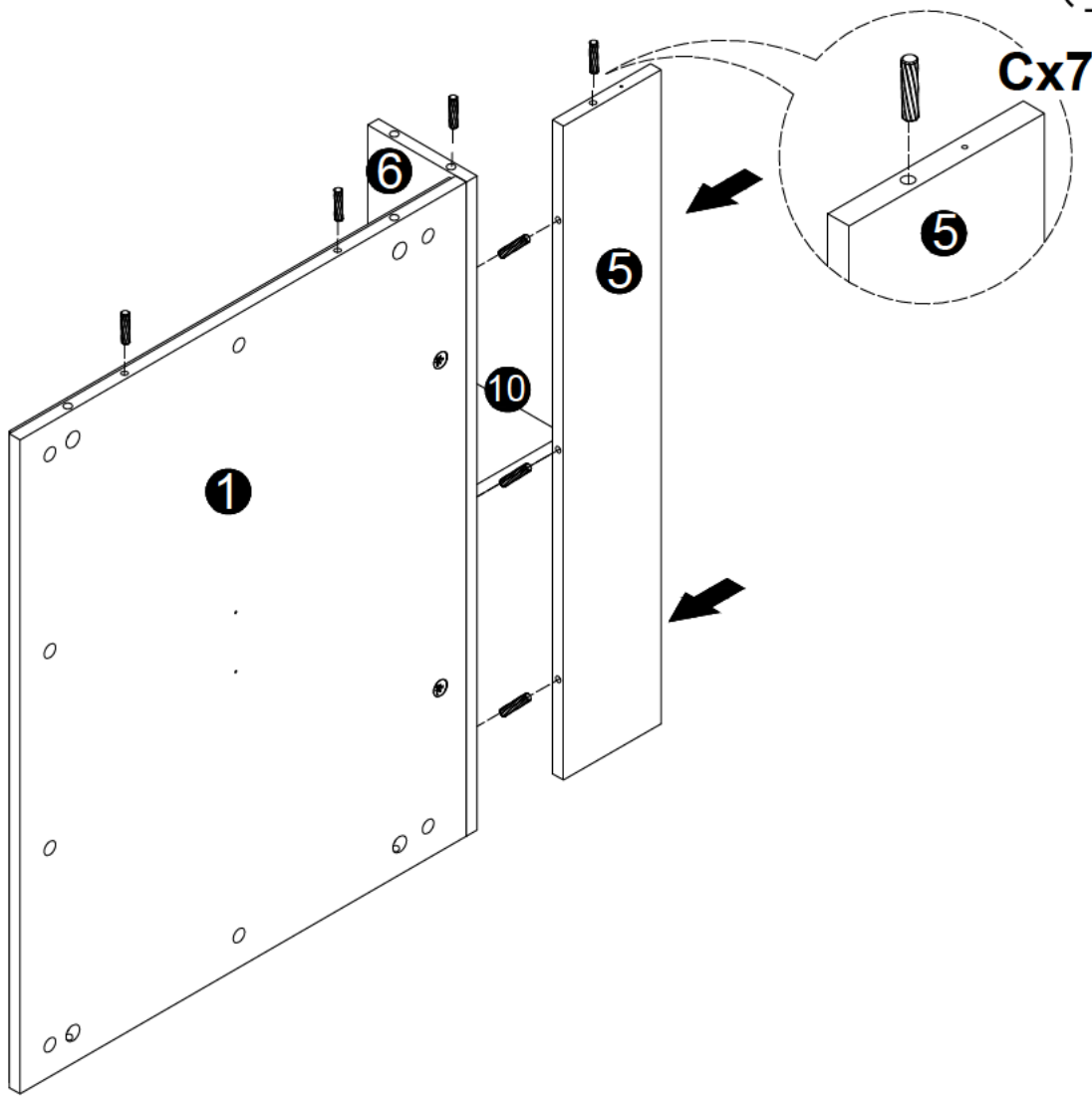
19




**B**   $\text{\O}15 \times 10 \text{mm}$  **X1**

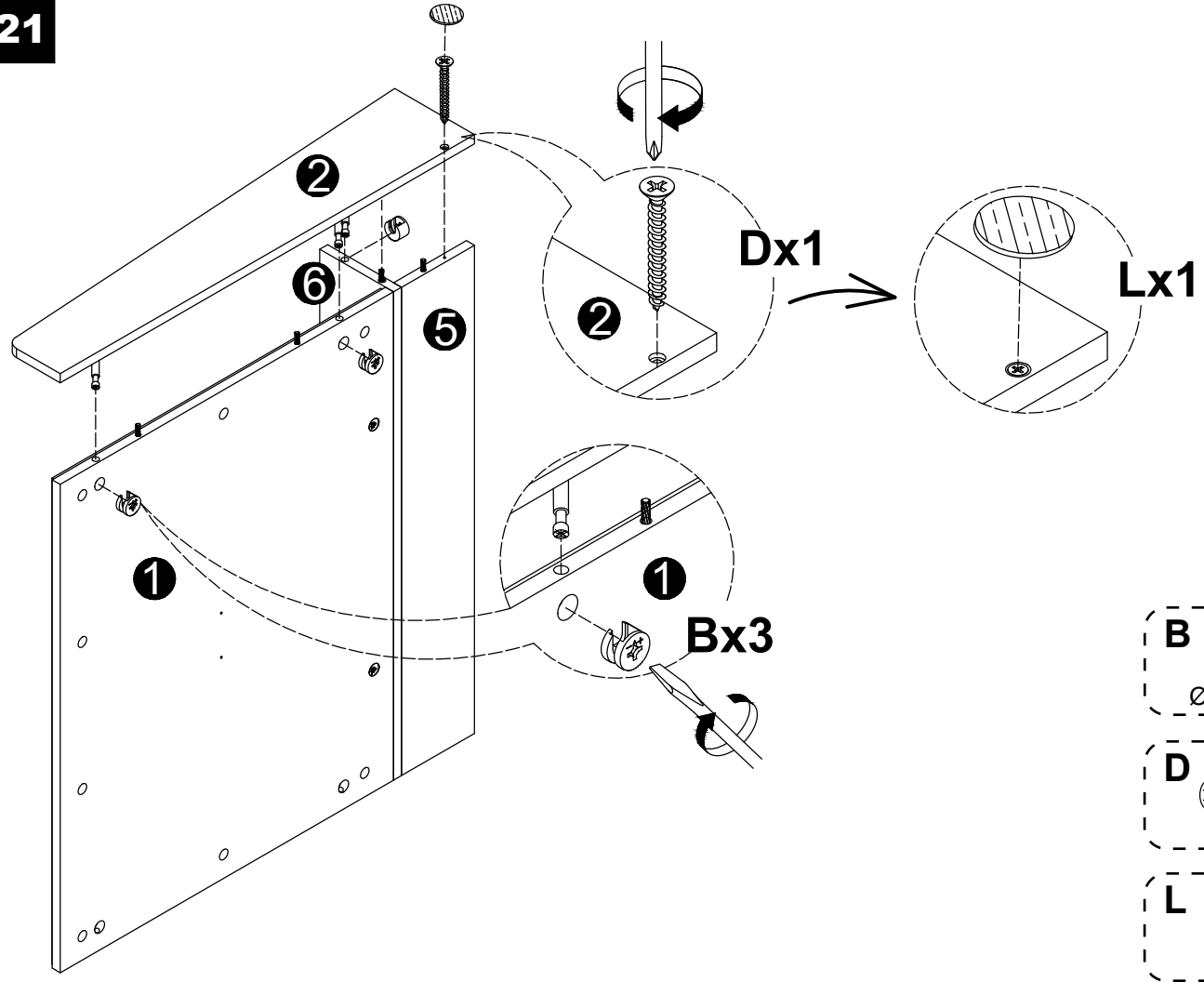
**C**   $\text{\O}6 \times 30 \text{mm}$  **X2**


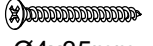

20



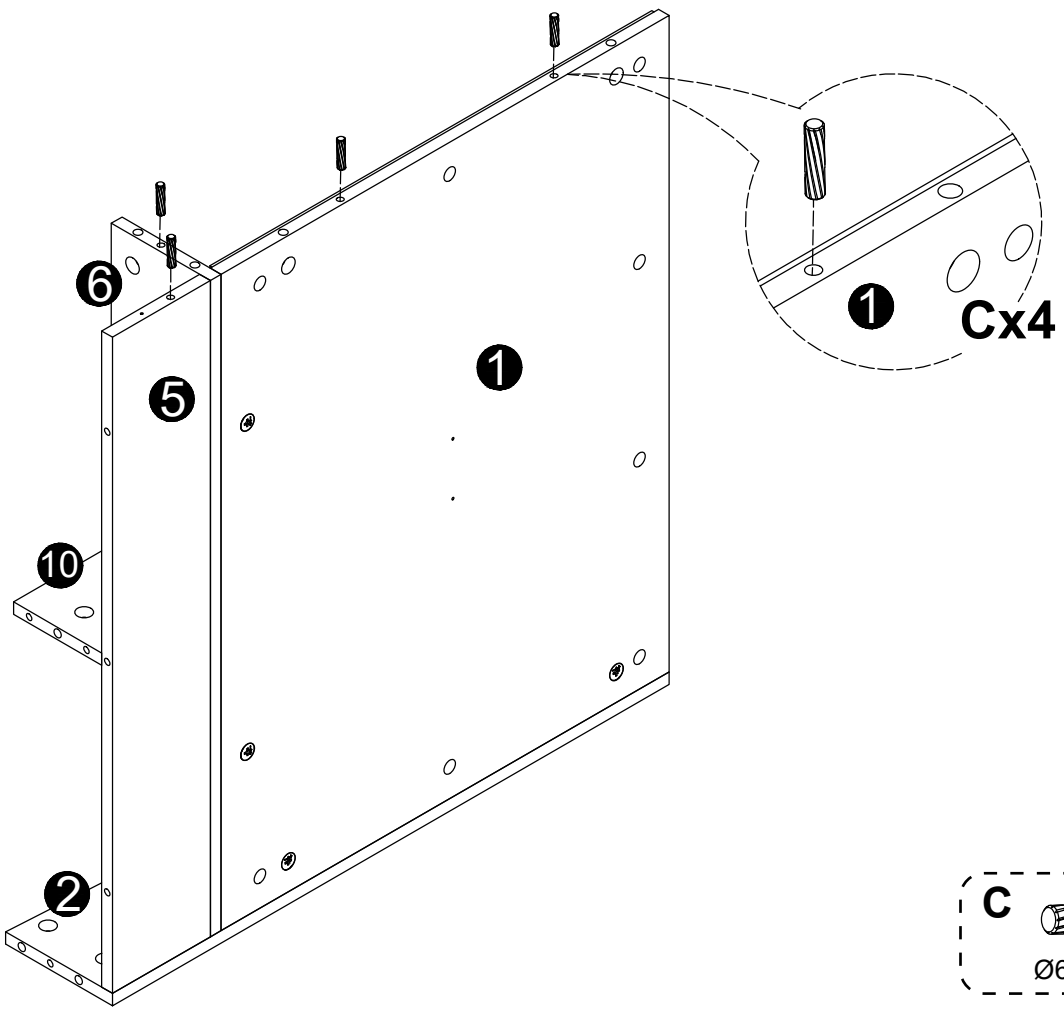
**C**   $\text{\O}6 \times 30 \text{mm}$  **X7**


21



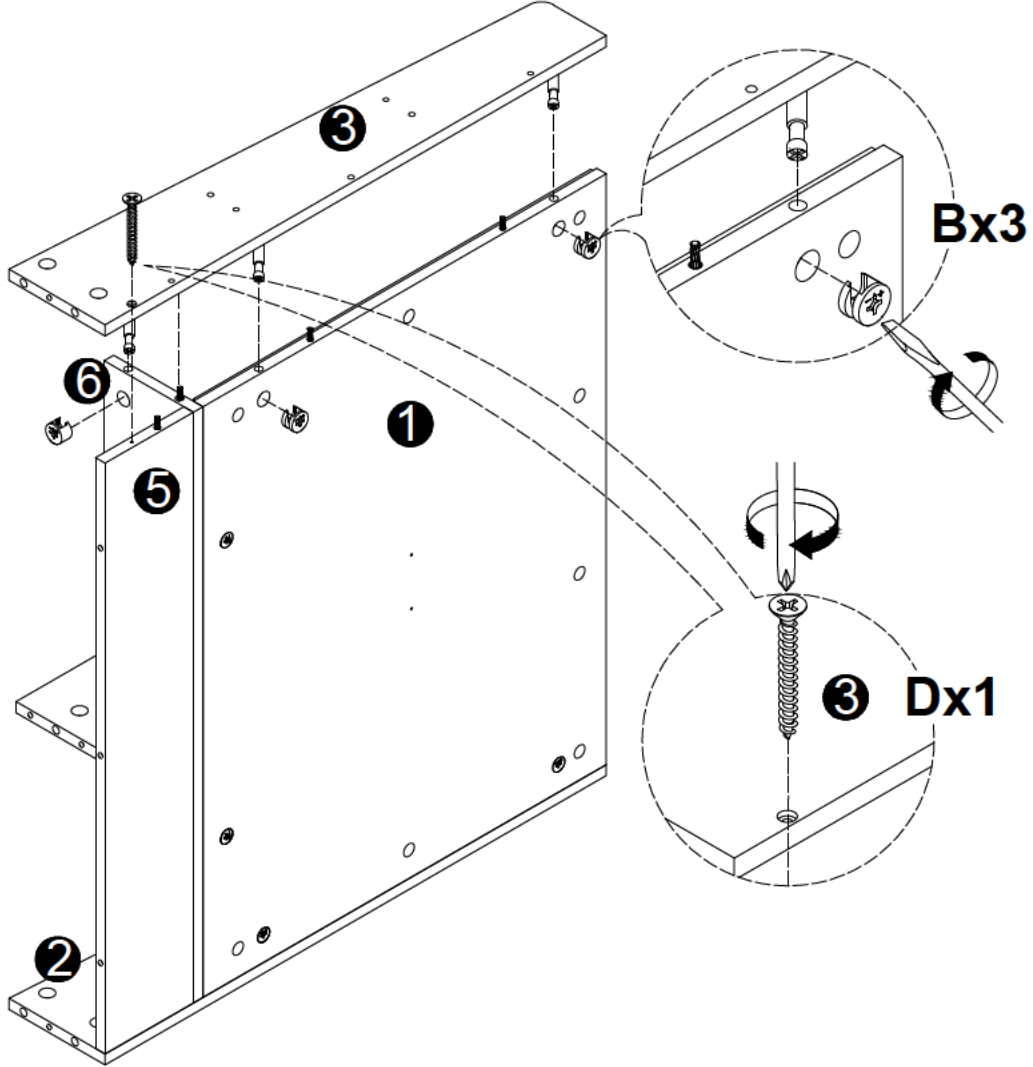
- B**   $\text{\O}15 \times 10\text{mm}$  **X3**
- D**   $\text{\O}4 \times 35\text{mm}$  **X1**
- L**   $\text{\O}20\text{mm}$  **X1**


22

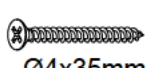


- C**   $\text{\O}6 \times 30\text{mm}$  **X4**

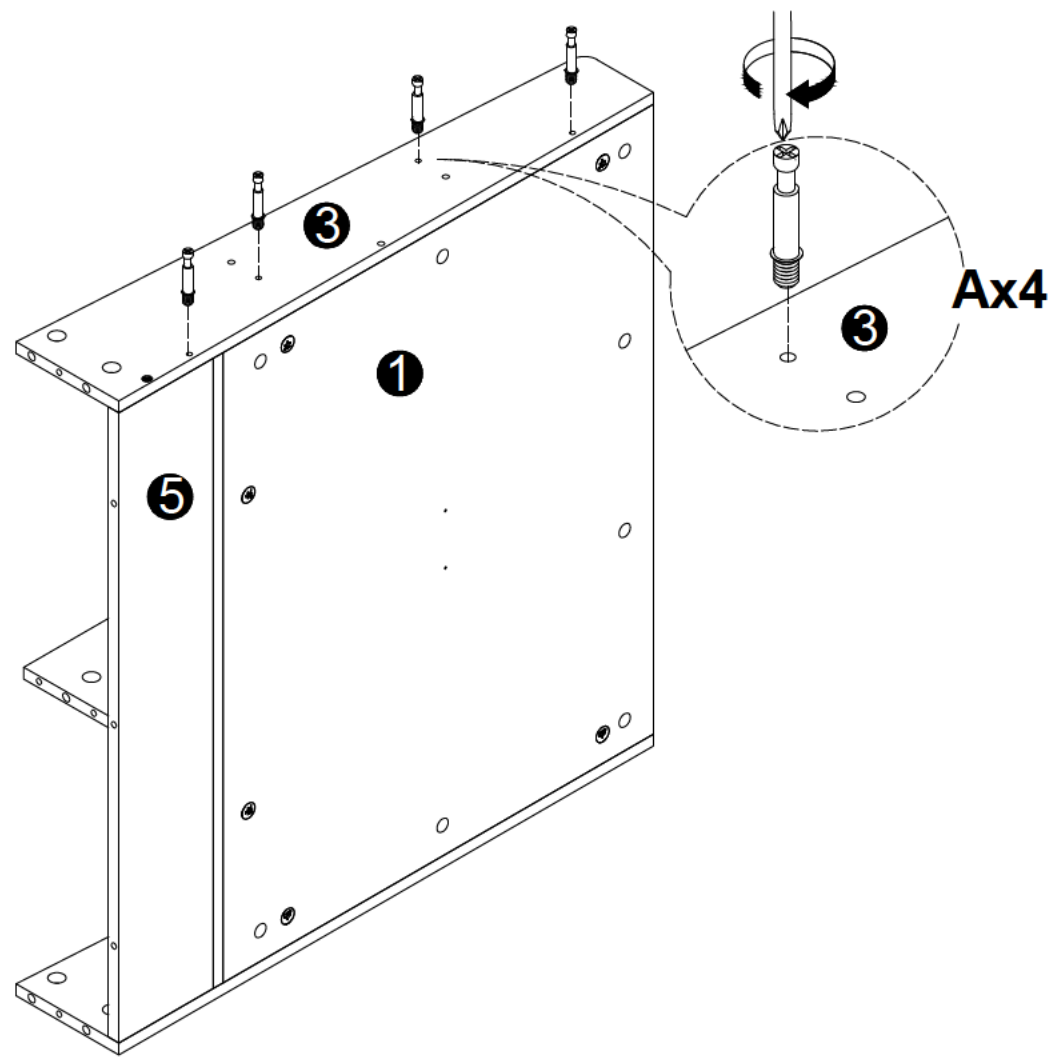
23

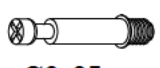



**B**   $\text{\O}15 \times 10 \text{mm}$  **X3**


**D**   $\text{\O}4 \times 35 \text{mm}$  **X1**

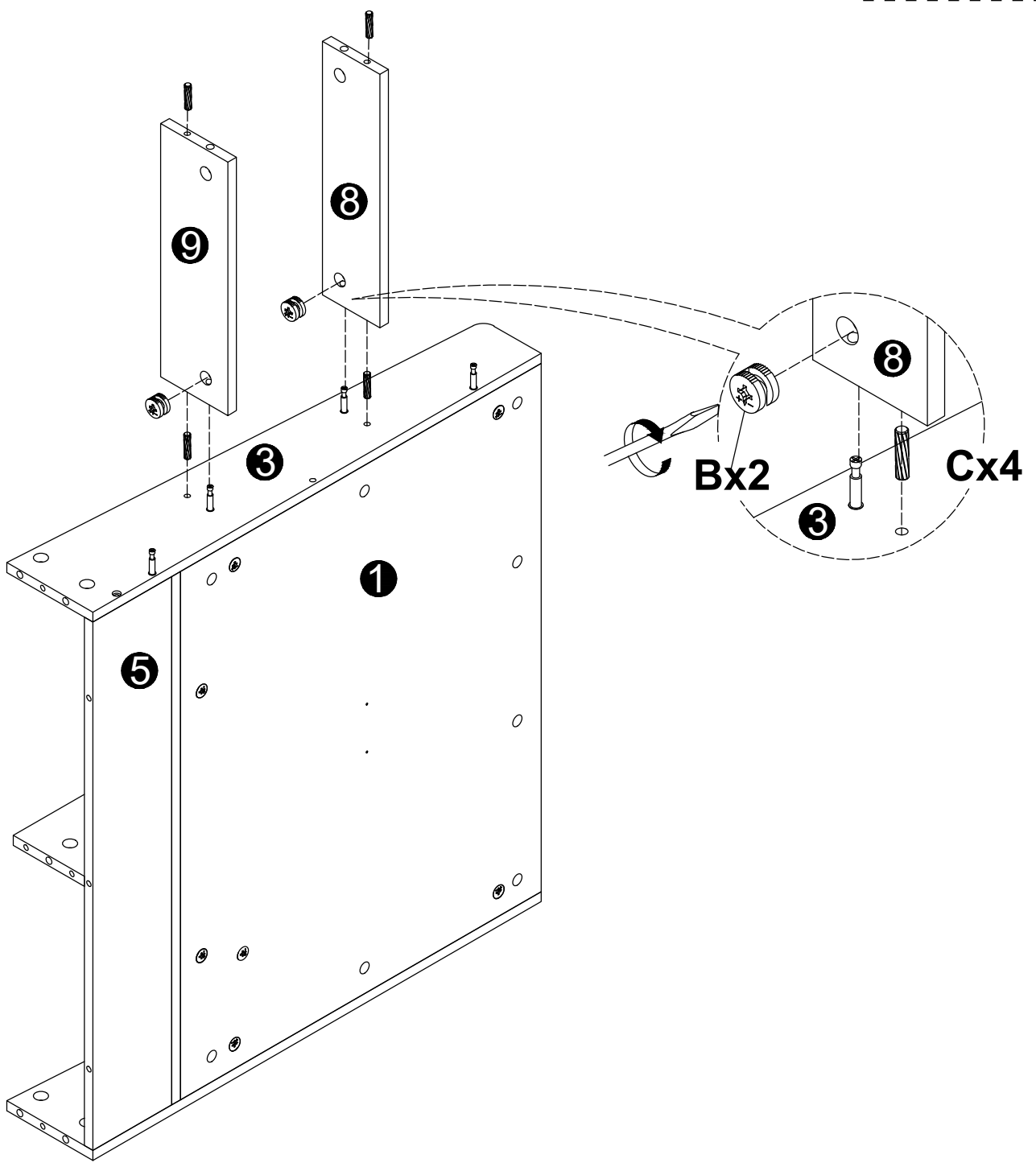
24





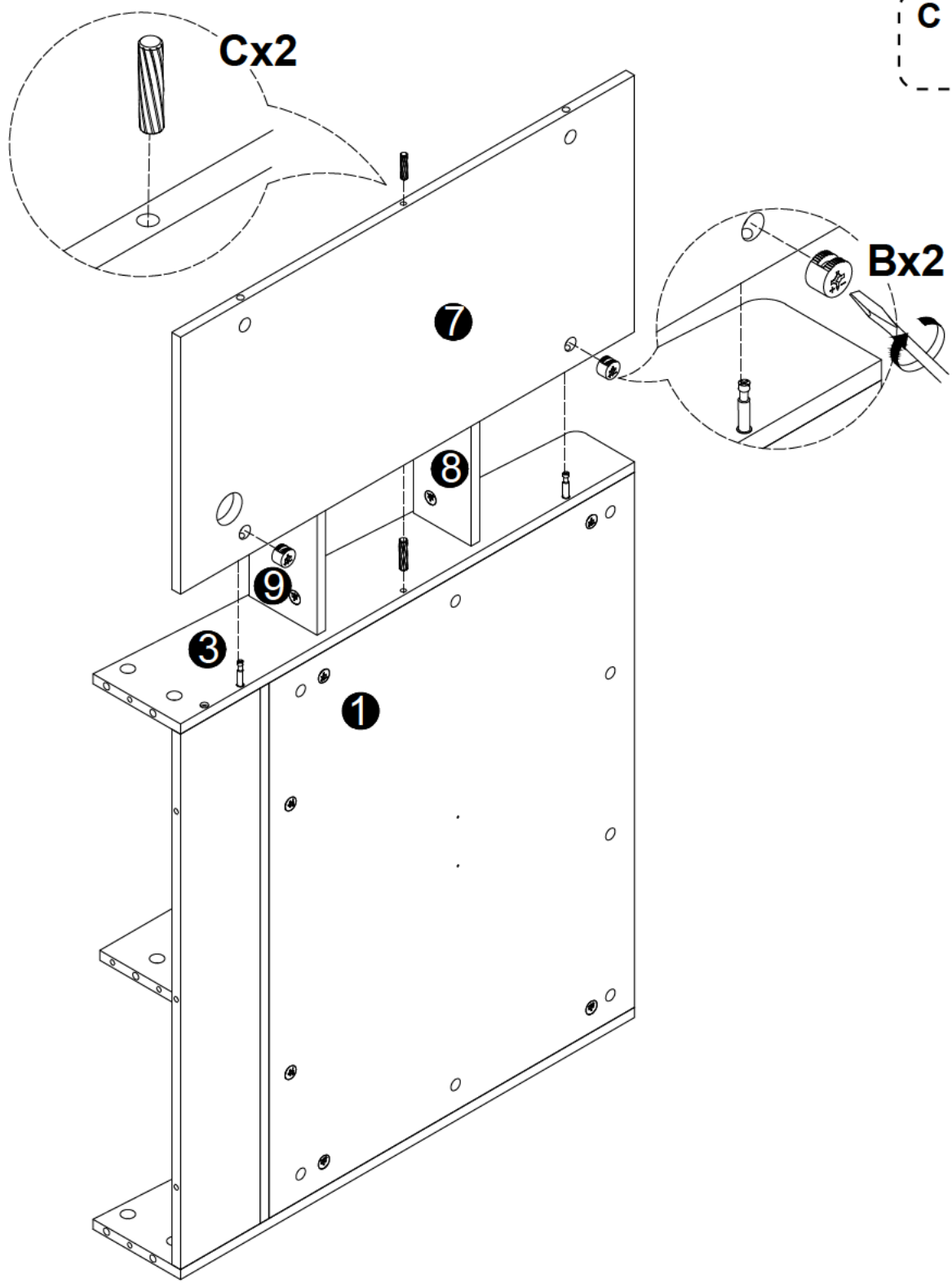
**A**   $\text{\O}6 \times 35 \text{mm}$  **X4**


**B**   
Ø15x10mm **X2**


**C**   
Ø6x30mm **X4**

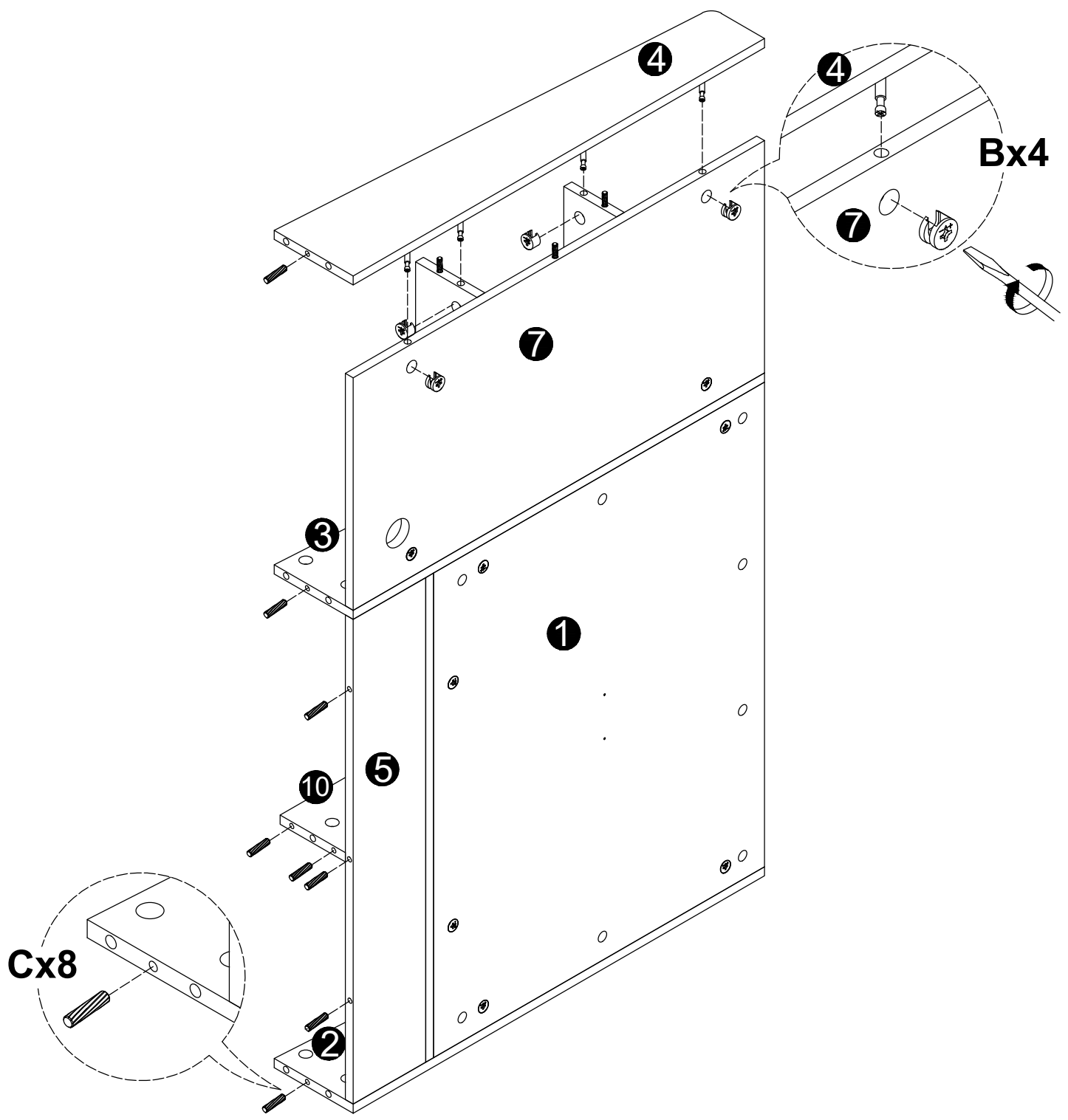


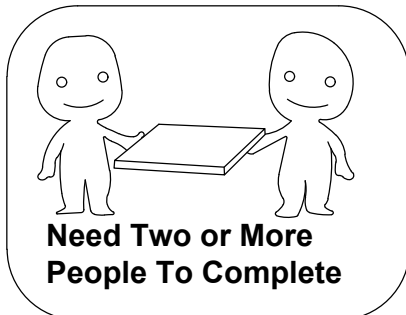
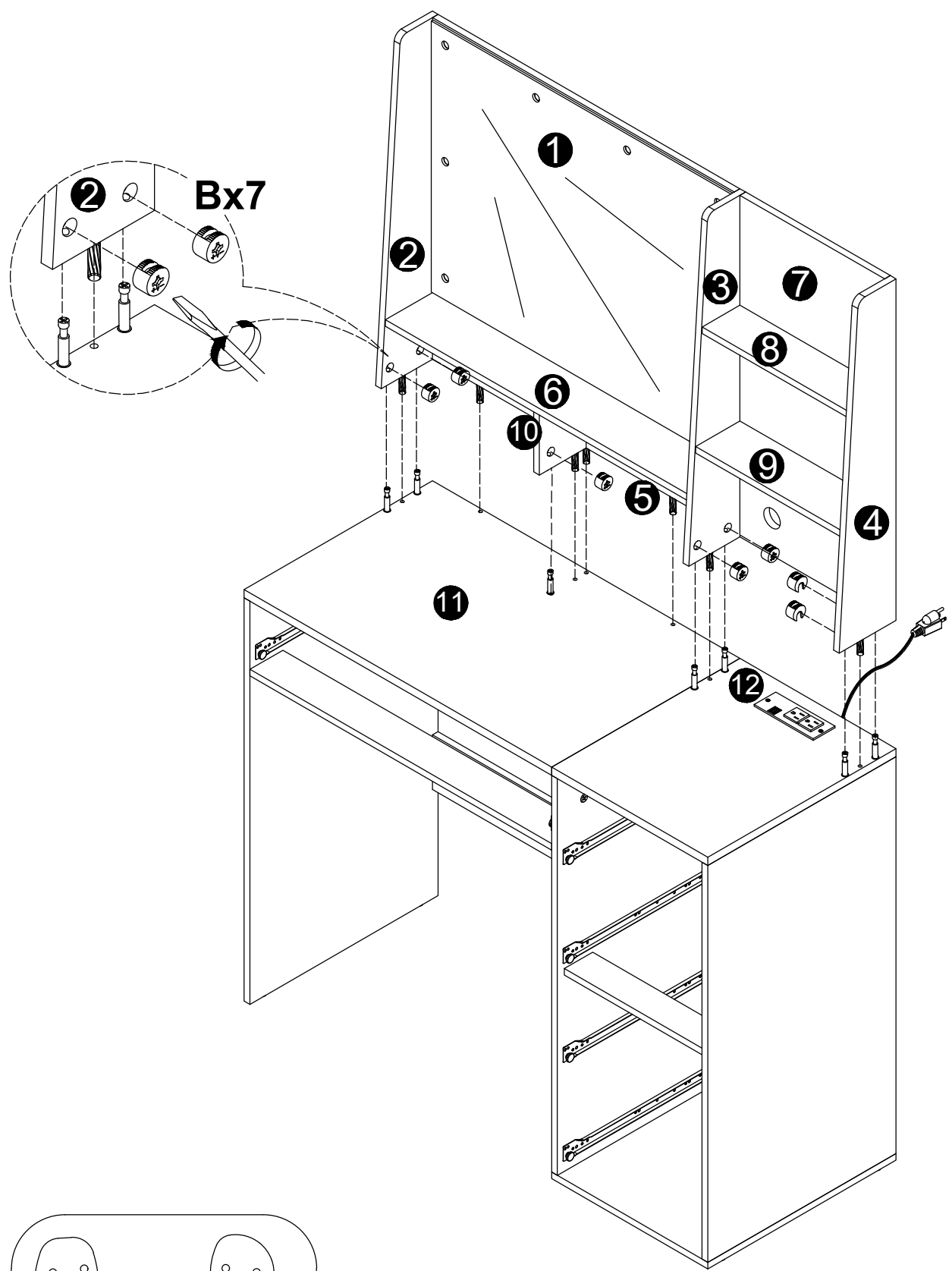
- B**  Ø15x10mm **X2**
- C**  Ø6x30mm **X2**



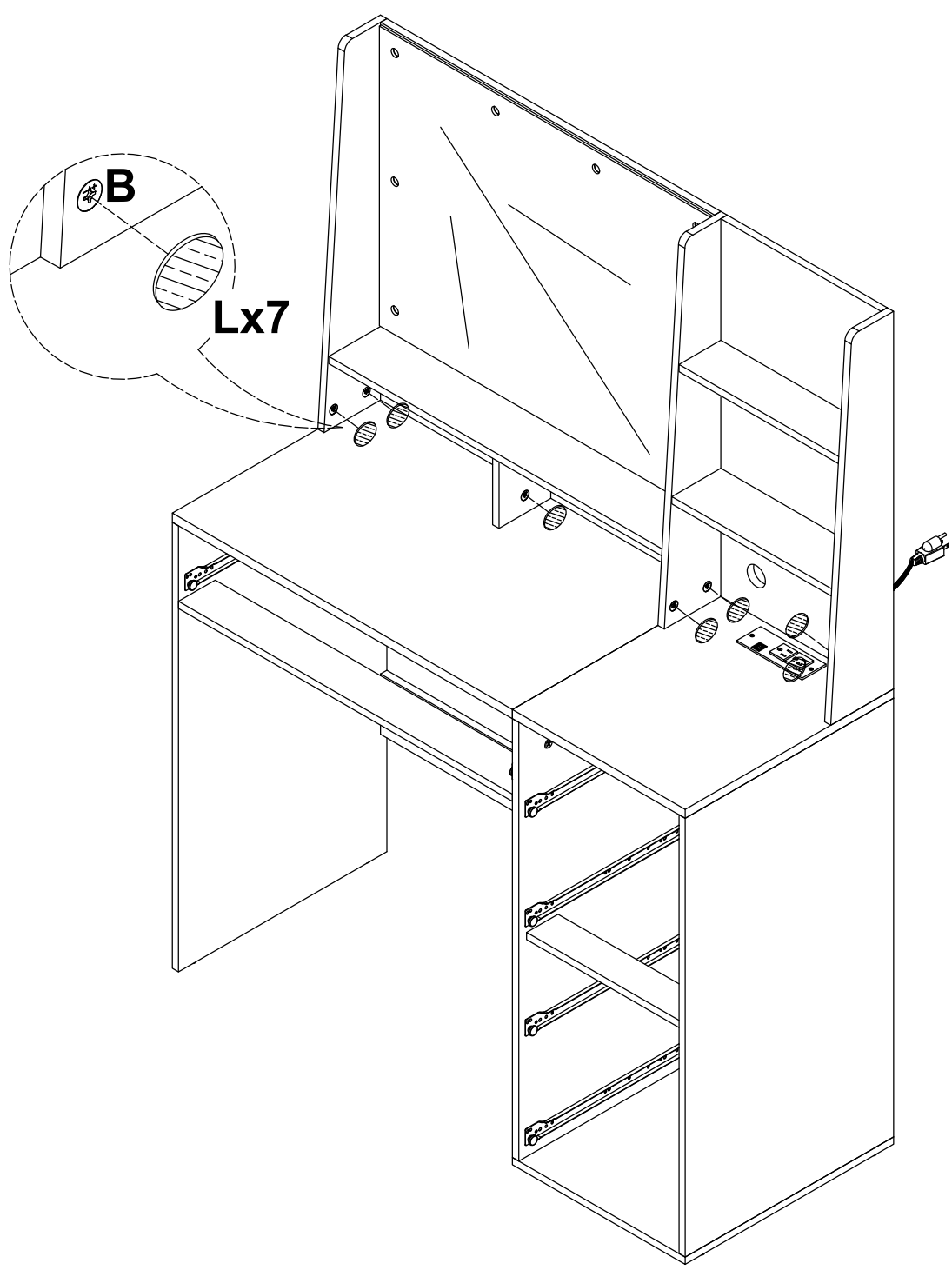
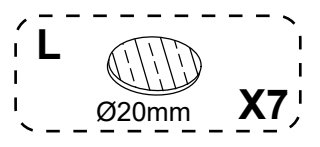
**B**  **X4**  
Ø15x10mm

**C**  **X8**  
Ø6x30mm



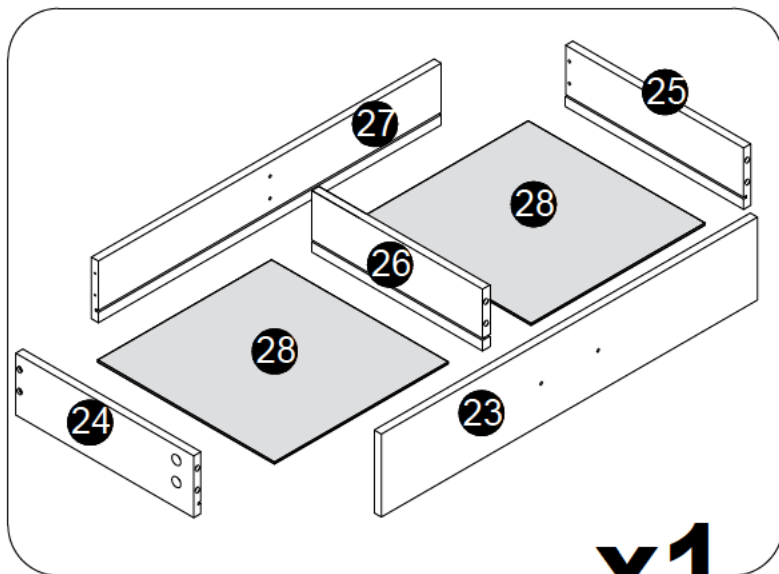


Please be careful that the glass is fragile. Tighten the screws after the holes are aligned

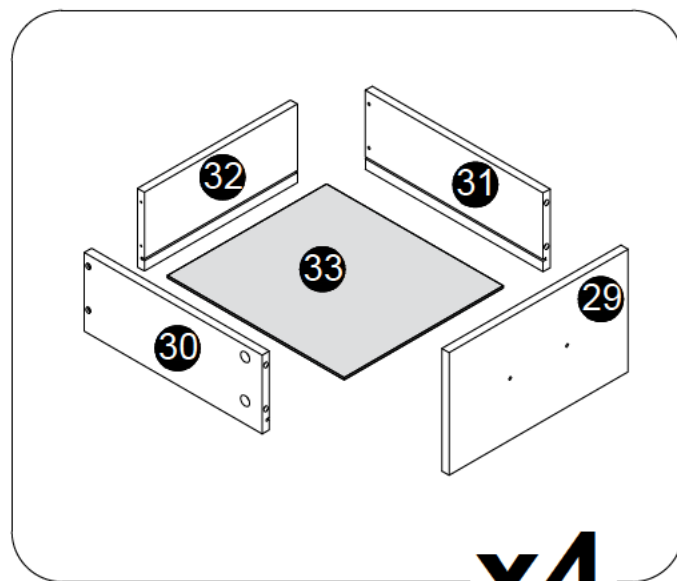


Rest awhile, installing drawers next is a repetitive task

## Drawer installation

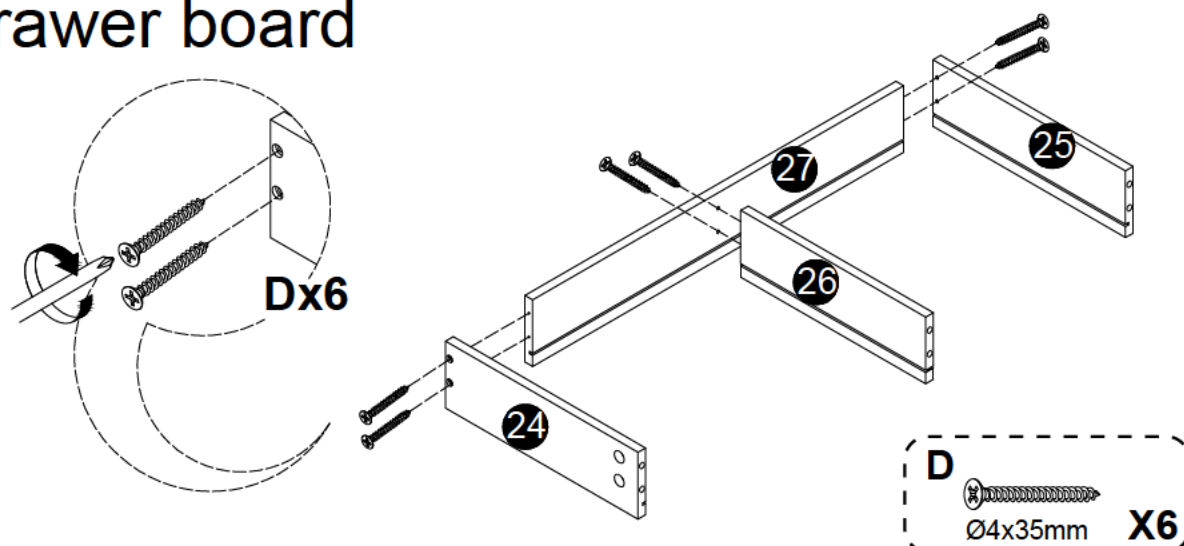


**x1**

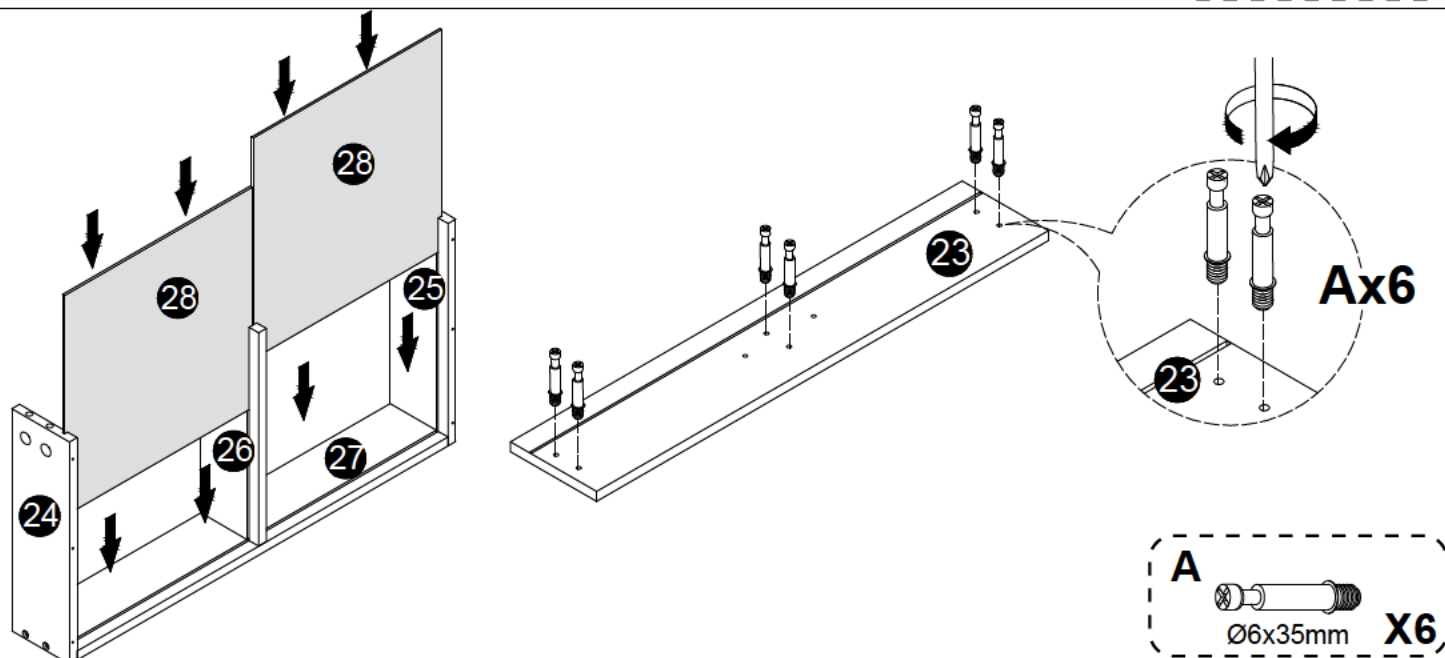


**x4**

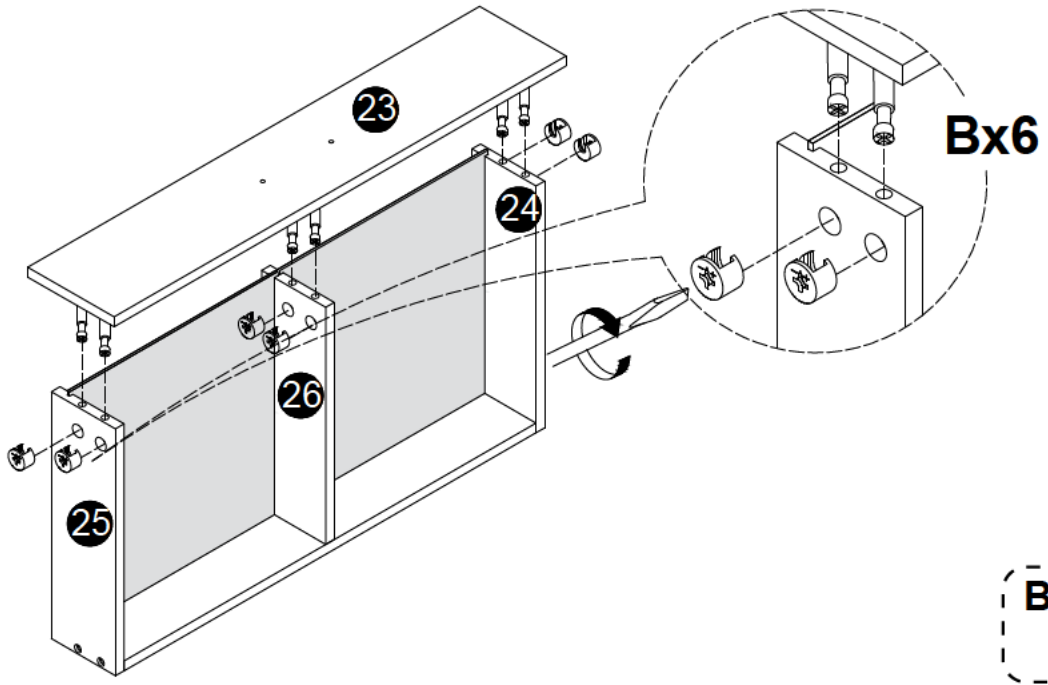
### 30 Large drawer board




### 31

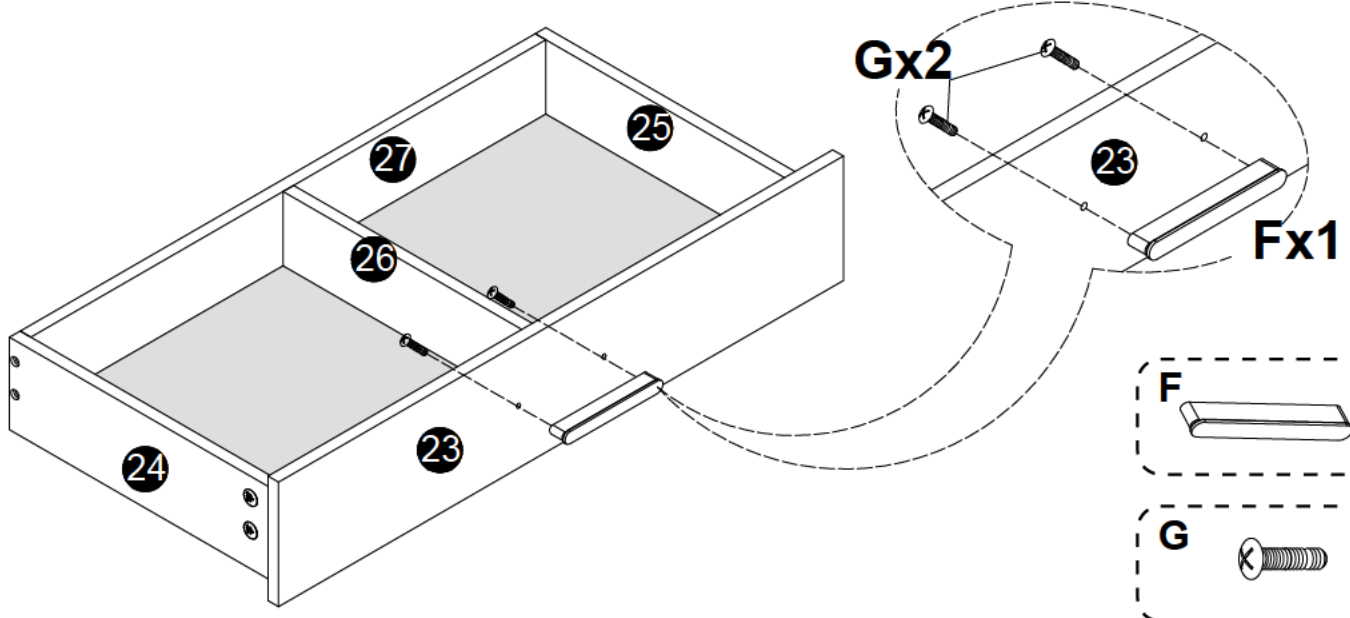



32




**B**  Ø15x10mm **X6**

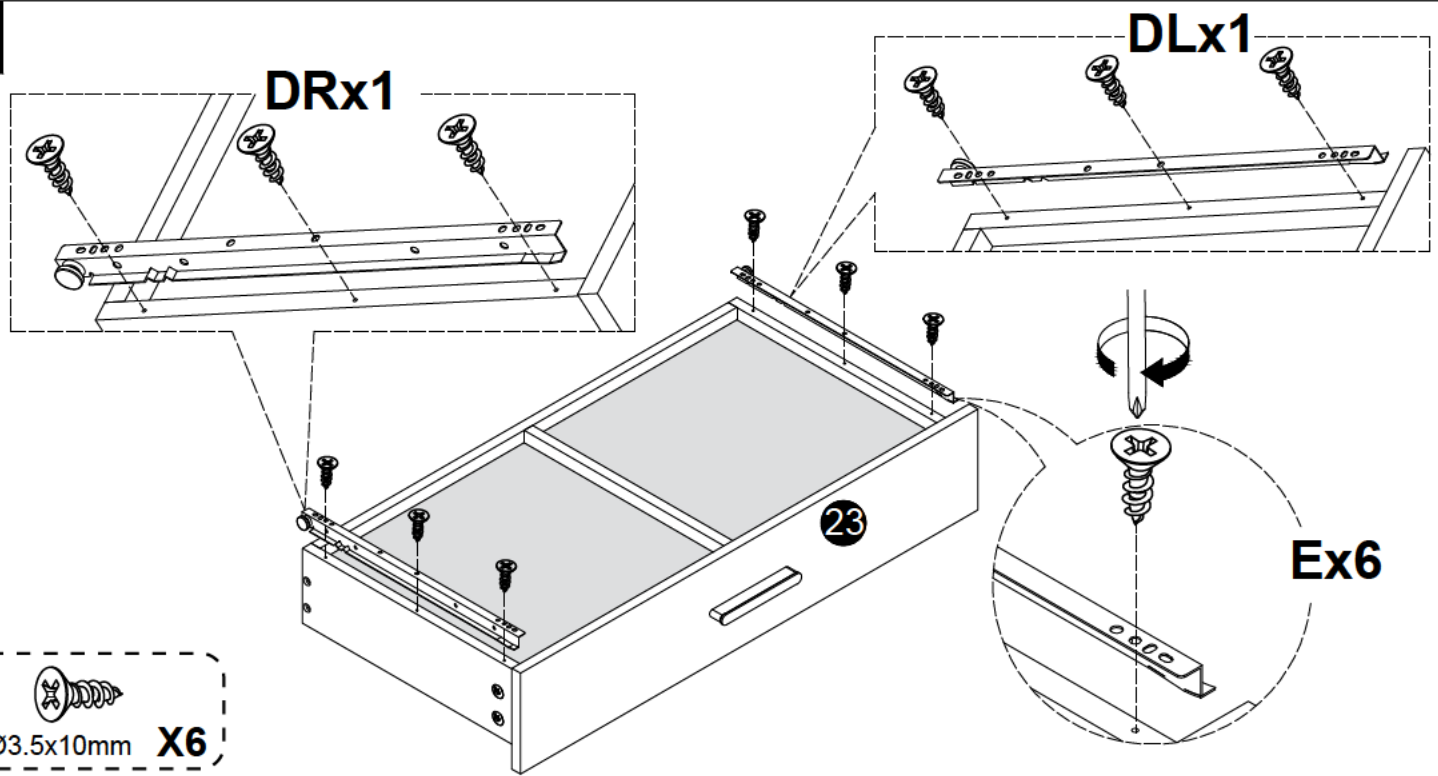
33



**F**  **X1**

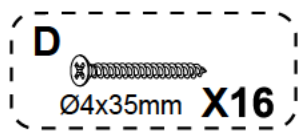
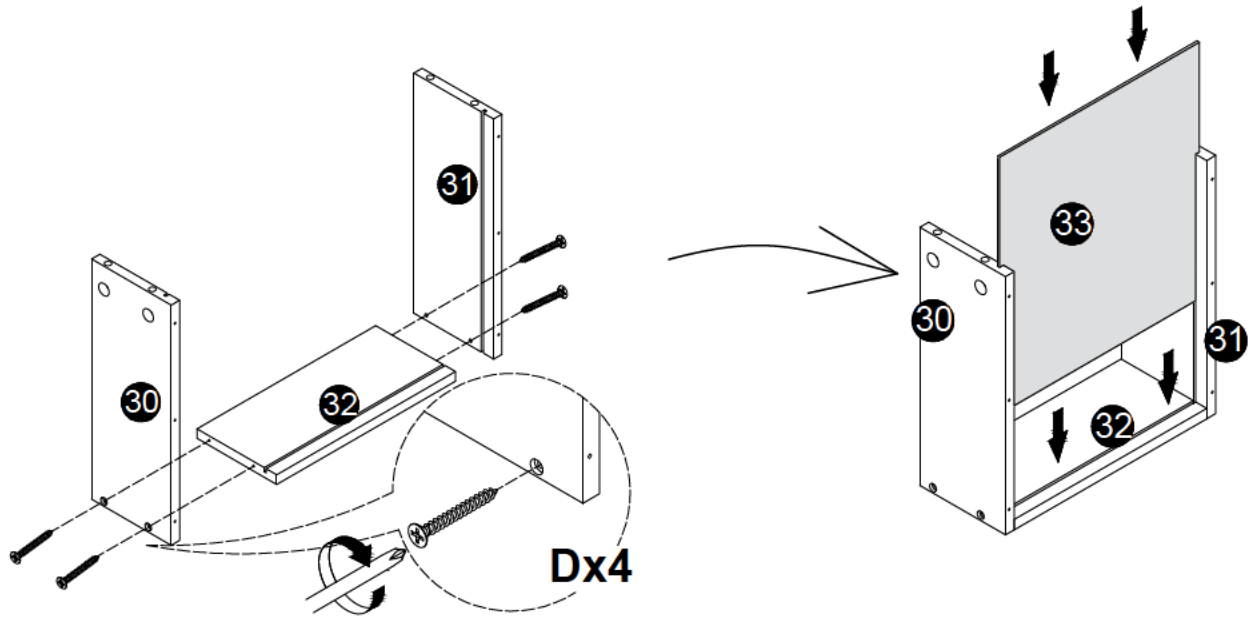
**G**  **X2**

34

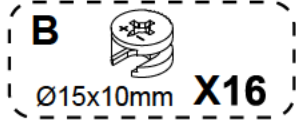
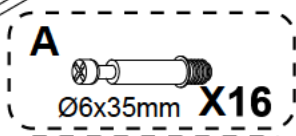
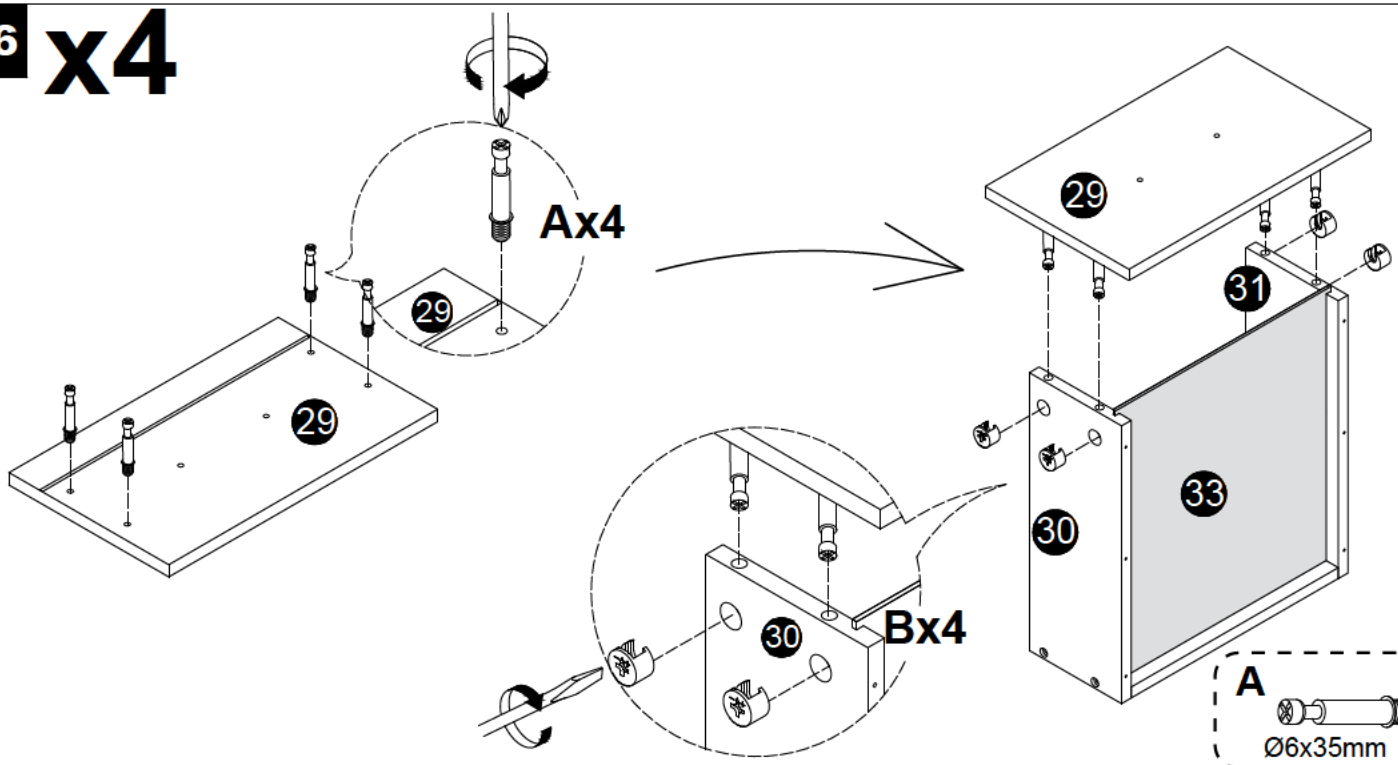


**E**  Ø3.5x10mm **X6**

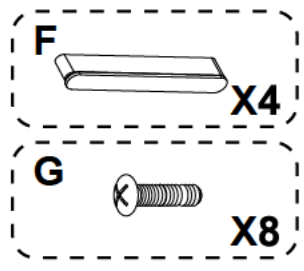
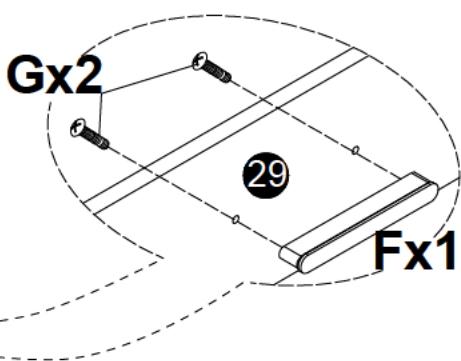
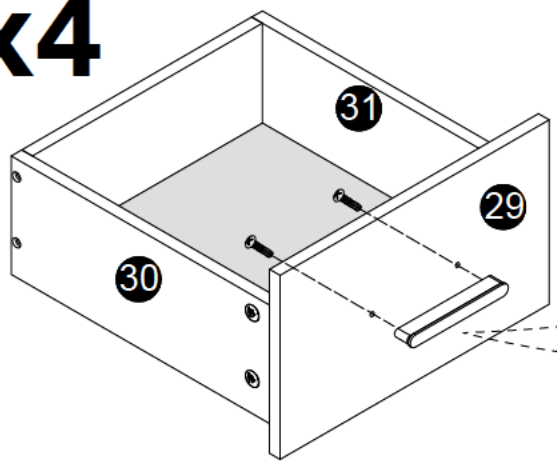
# x4 Small drawer board



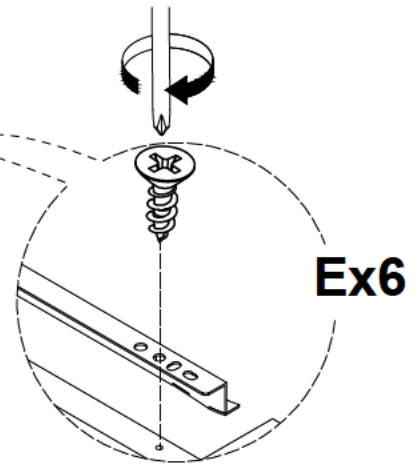
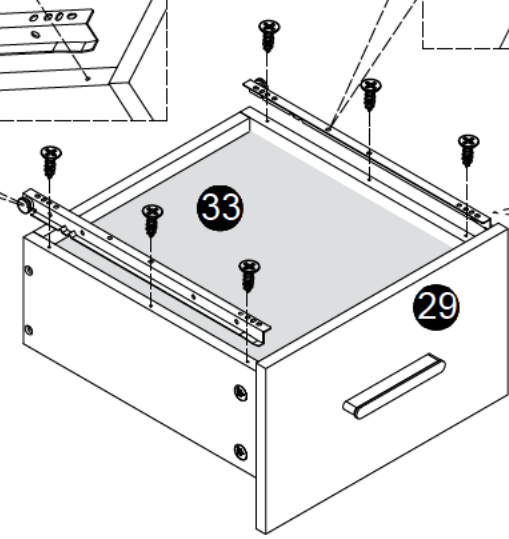
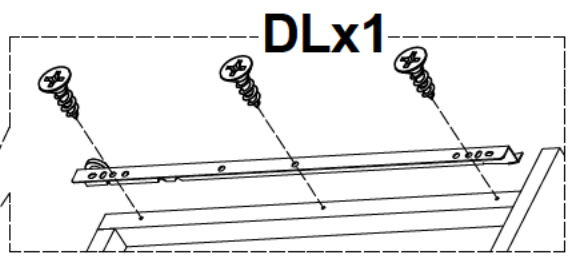
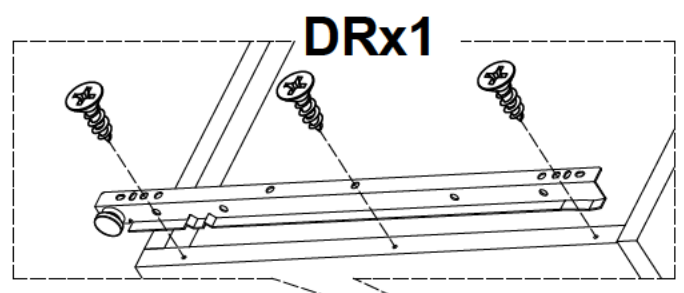
# 36 x4



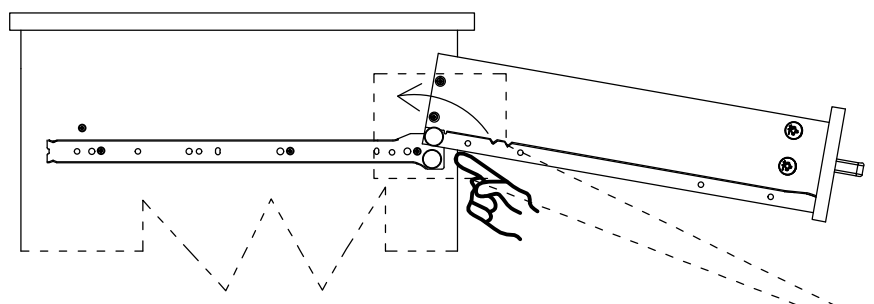
x4



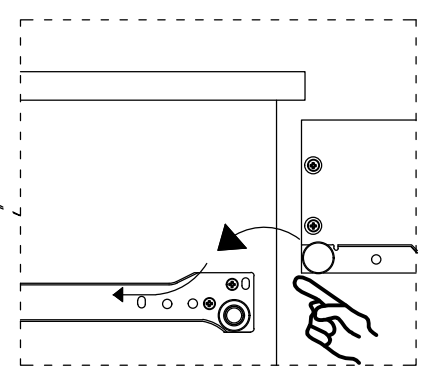
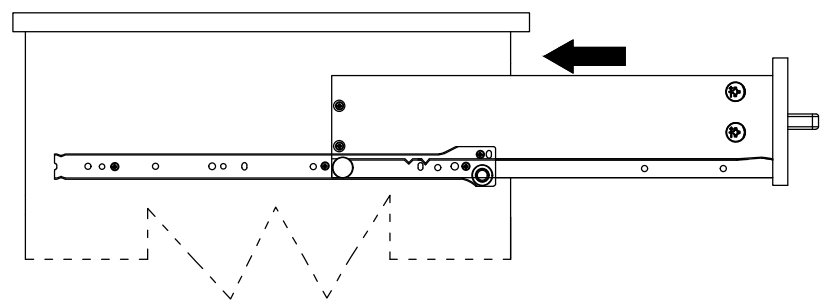
x4



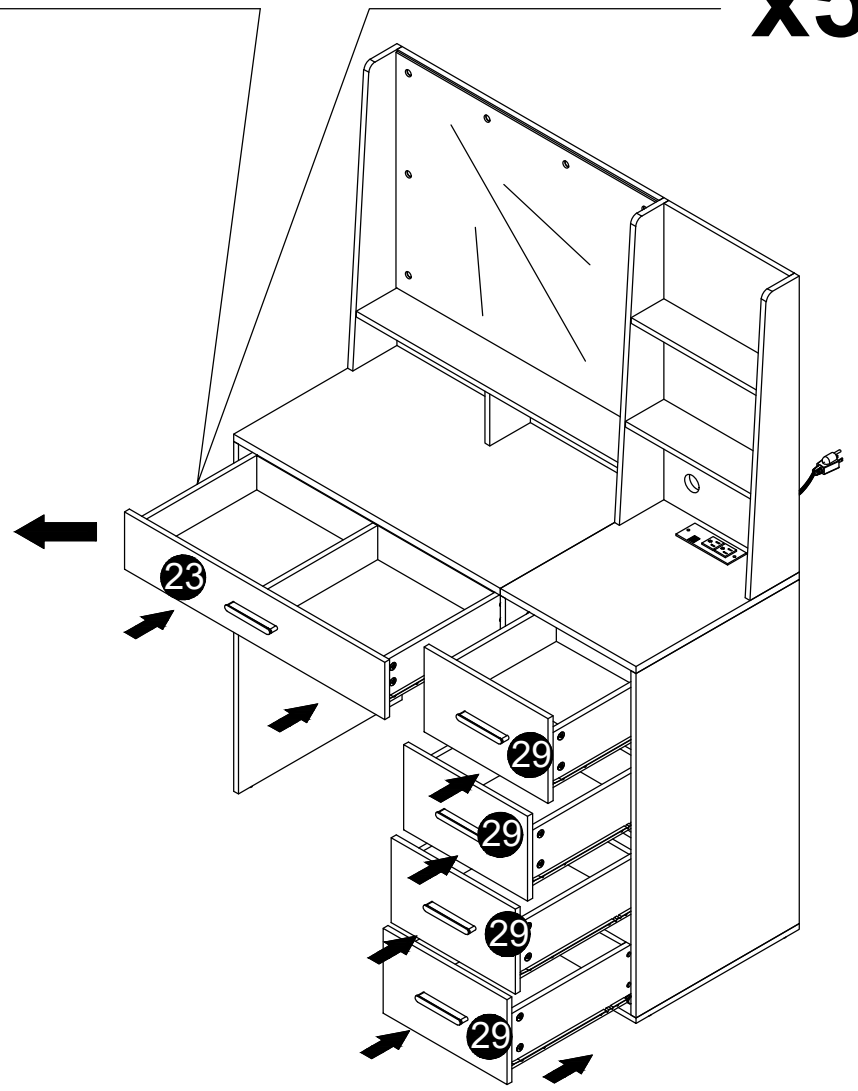
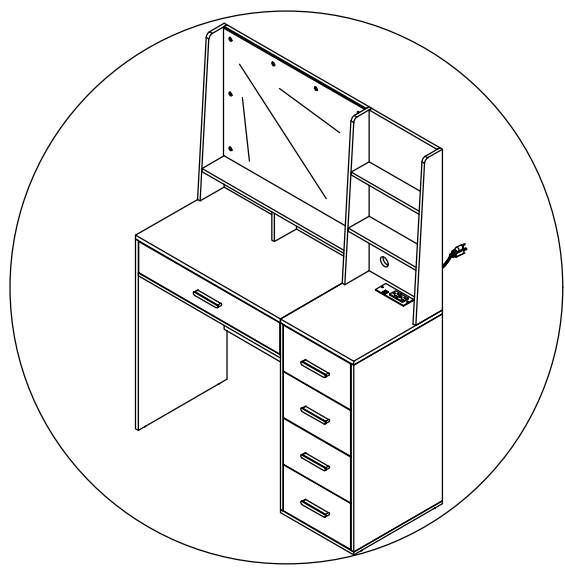
(1)

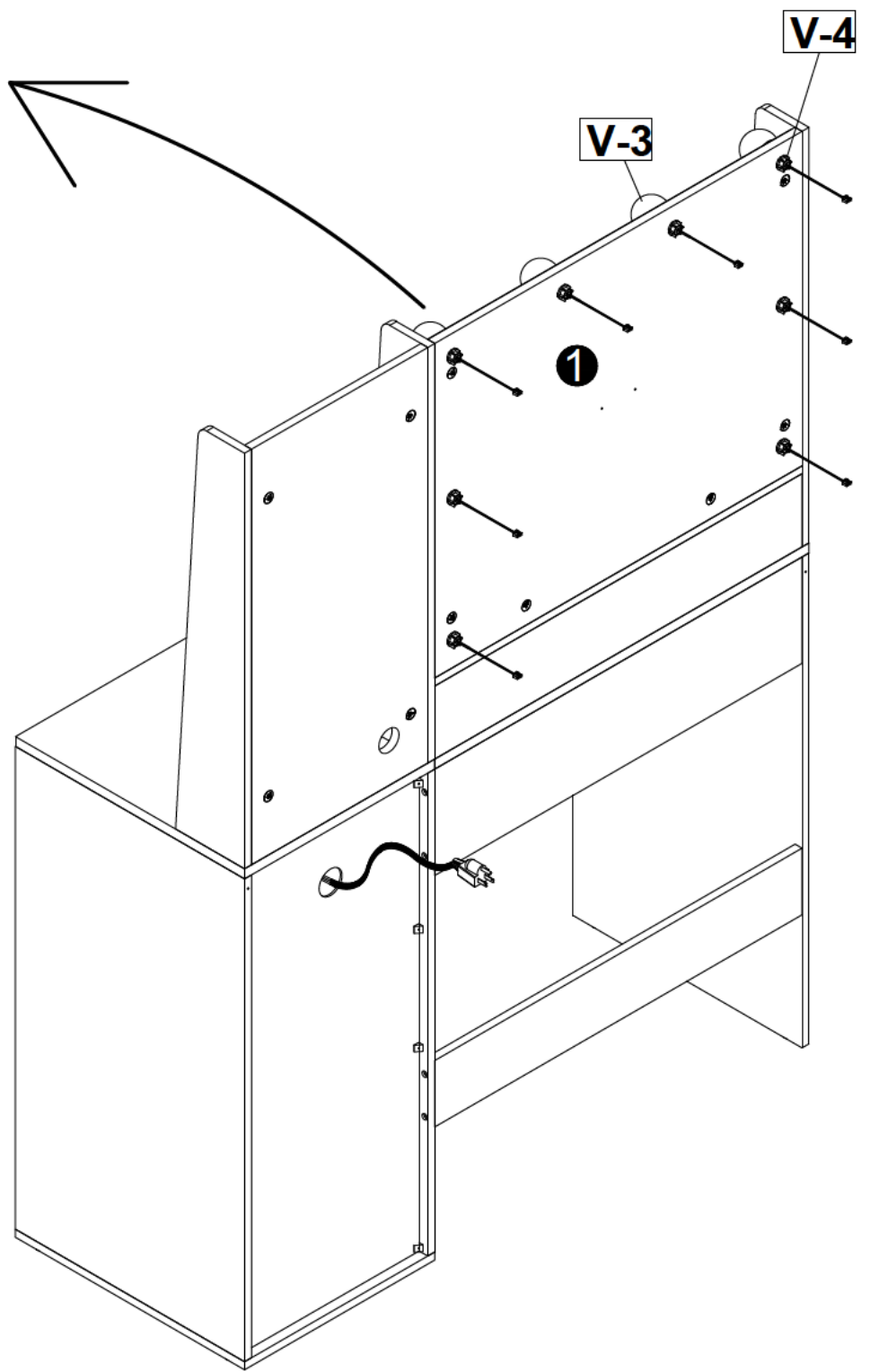
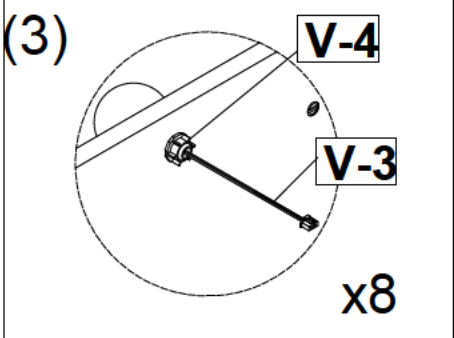
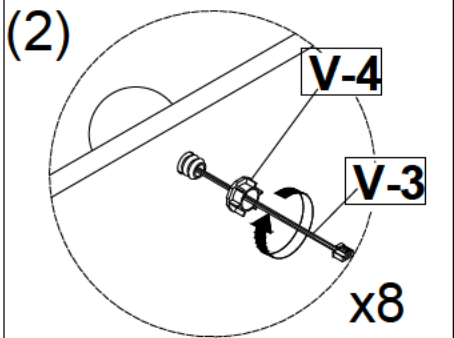
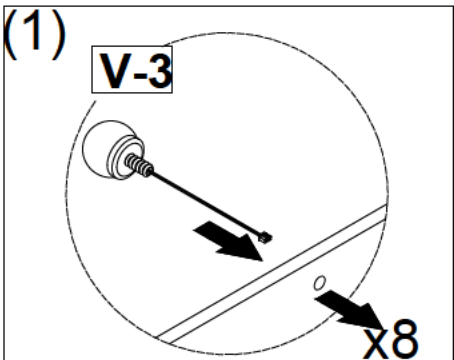
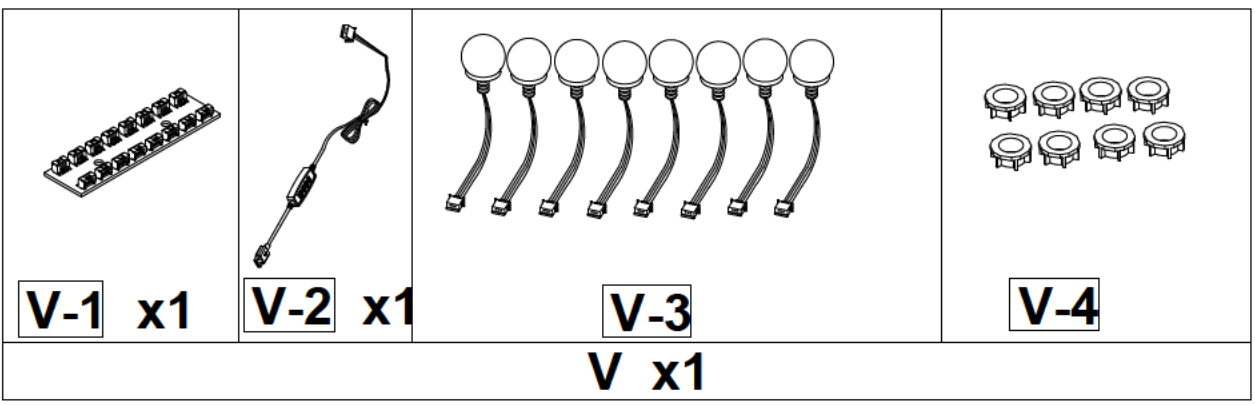


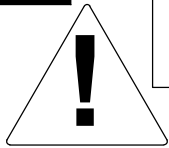
(2)



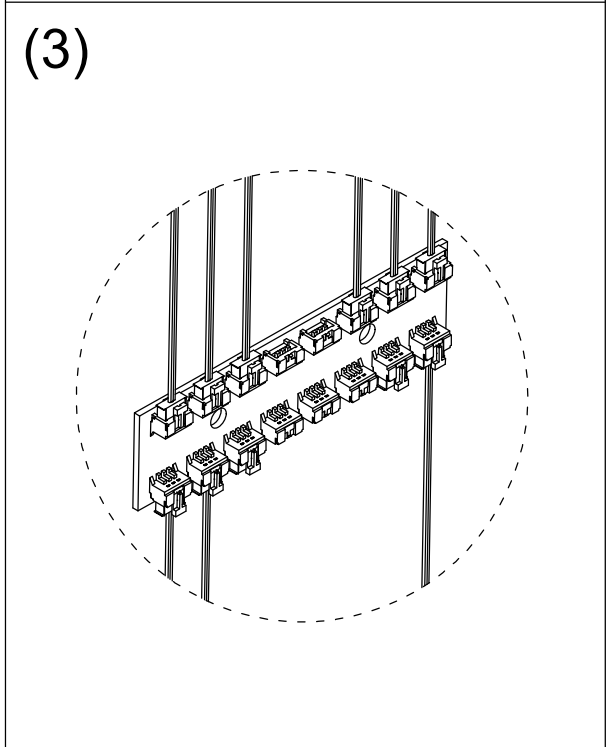
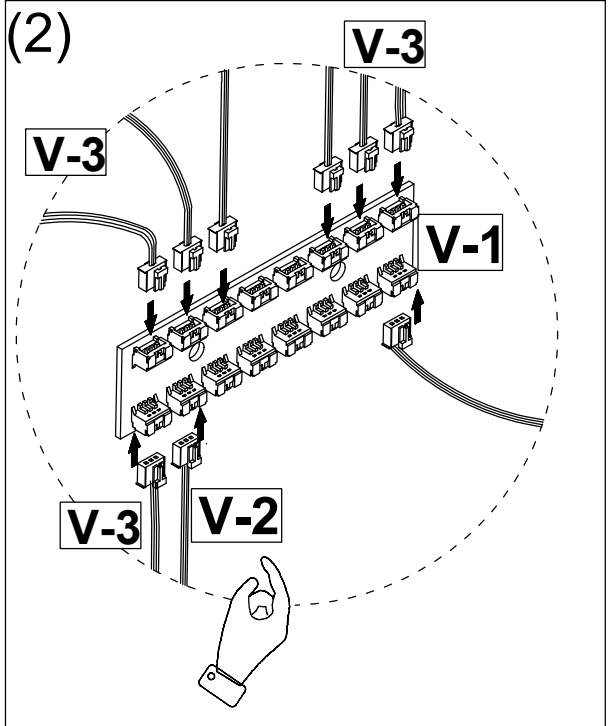
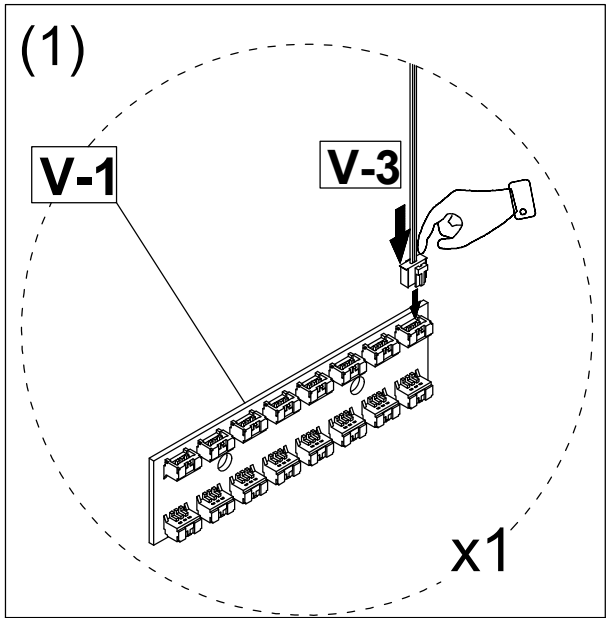
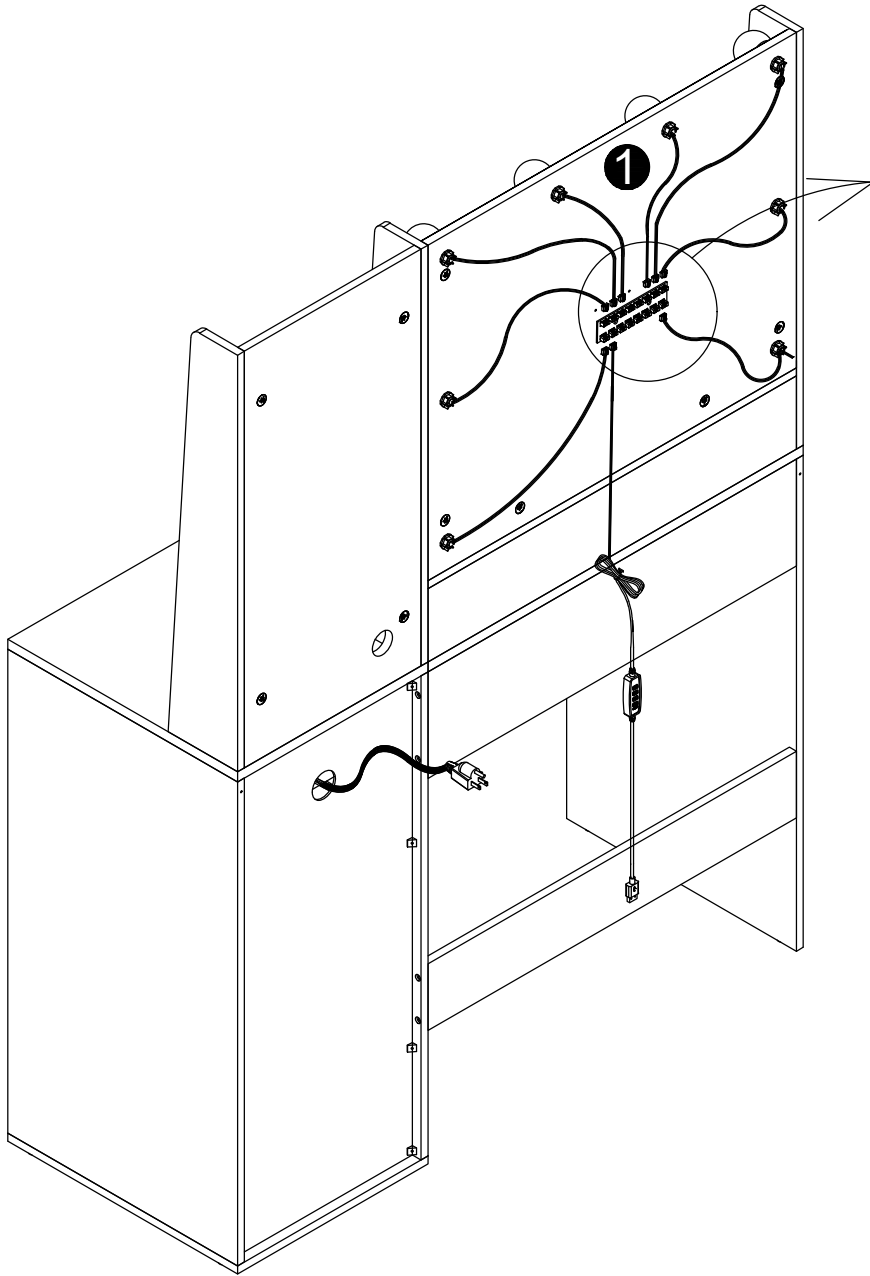
x5

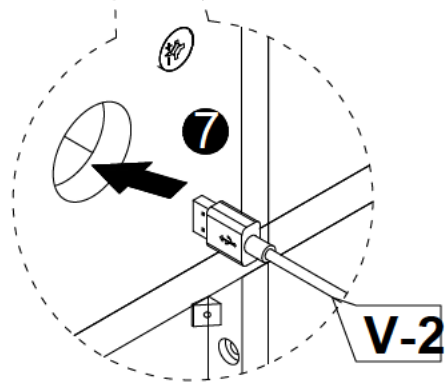
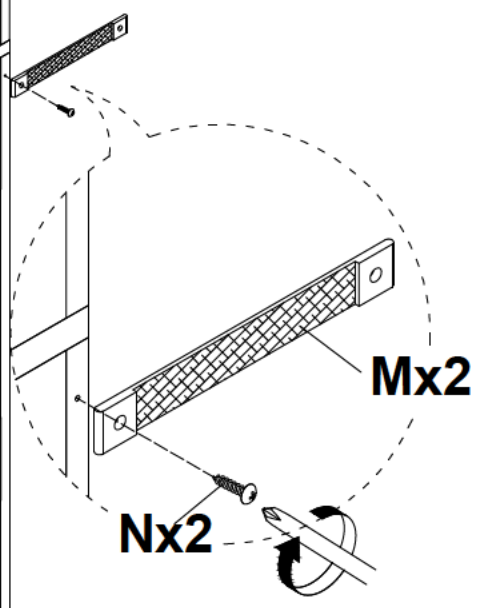
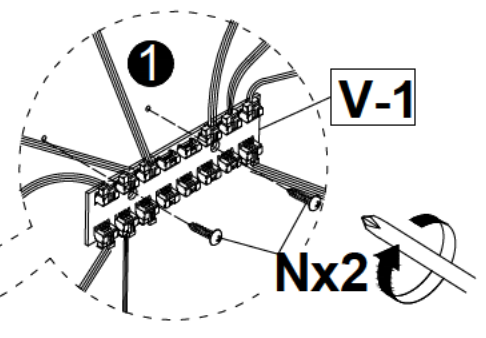
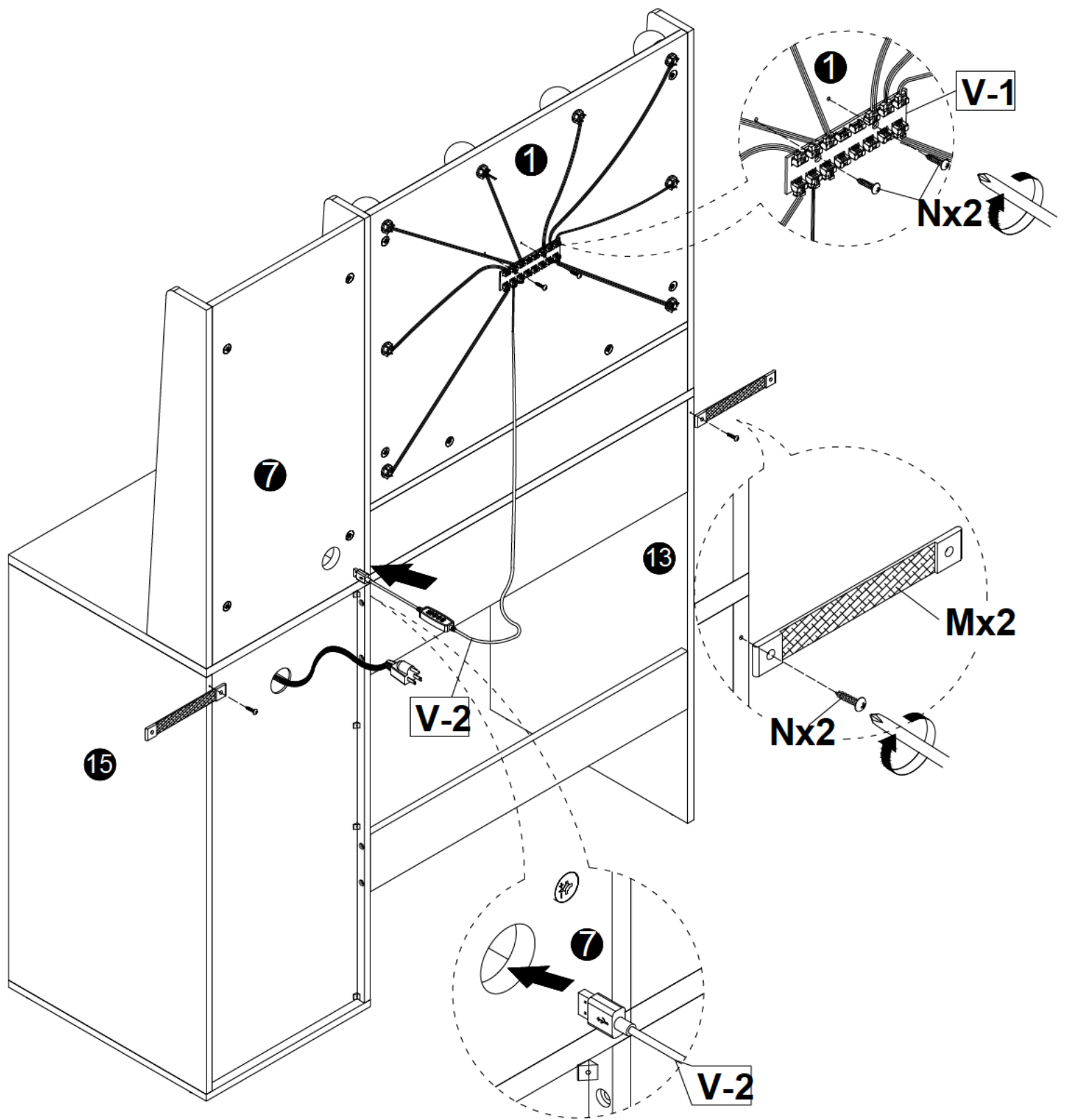






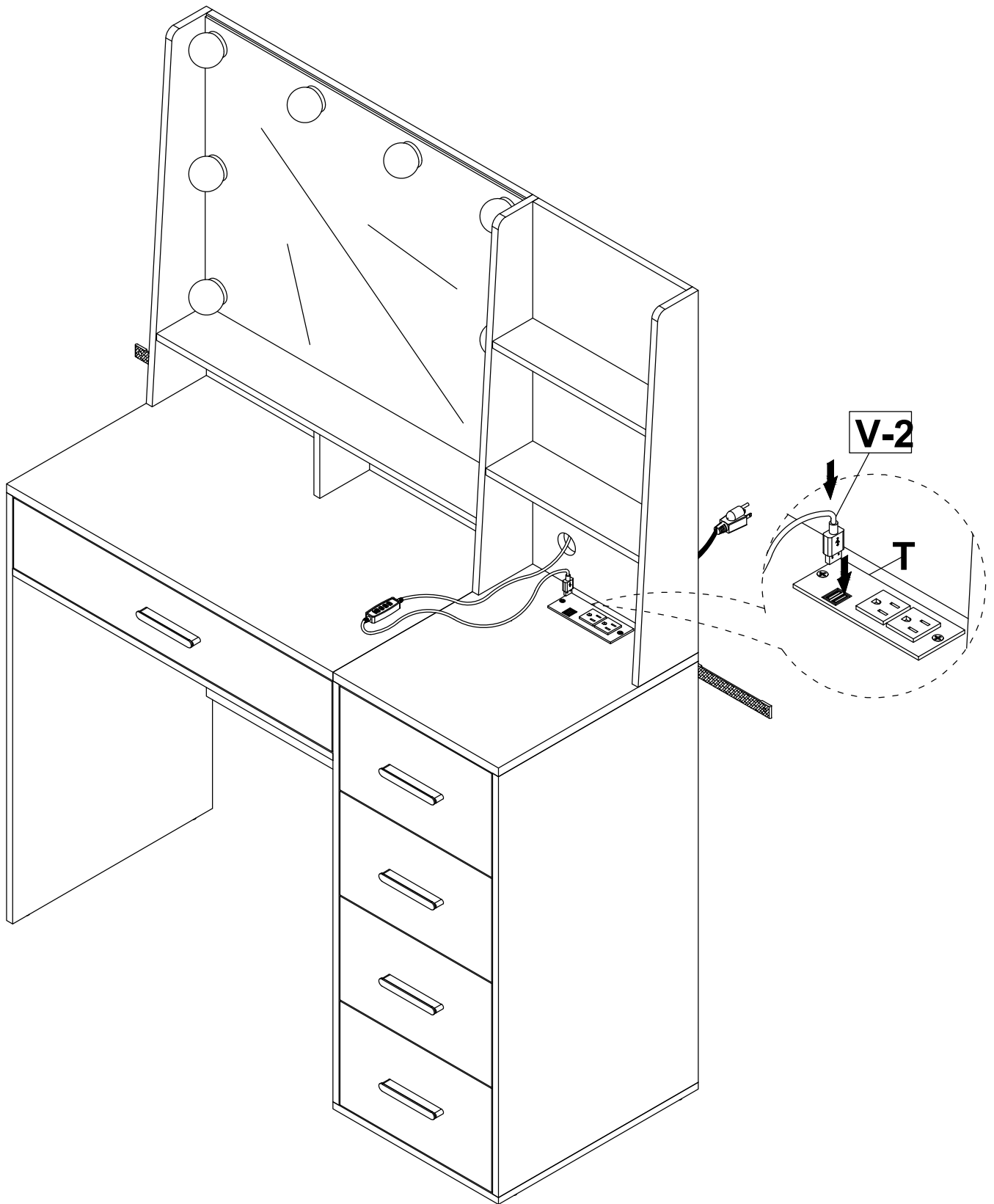


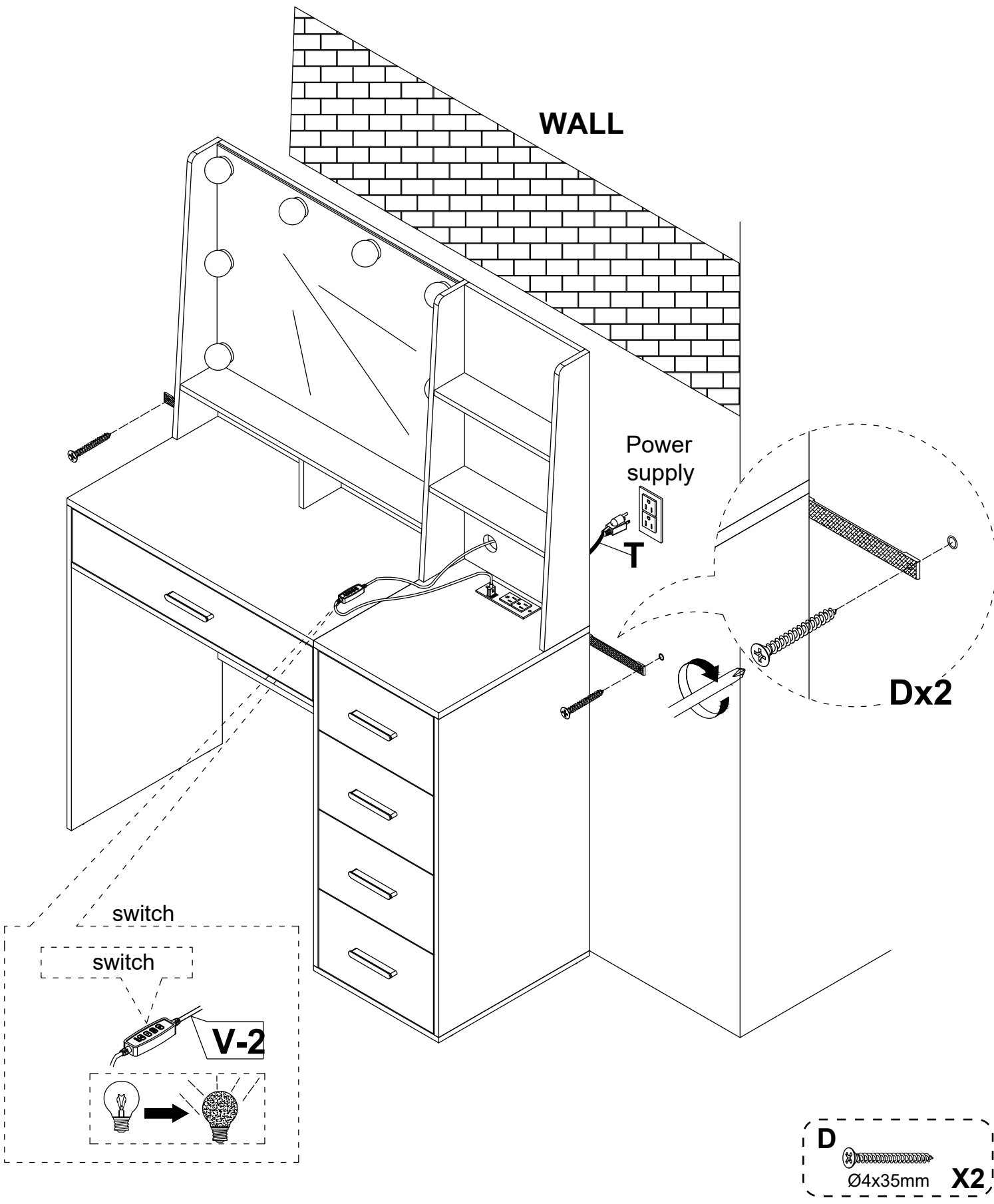
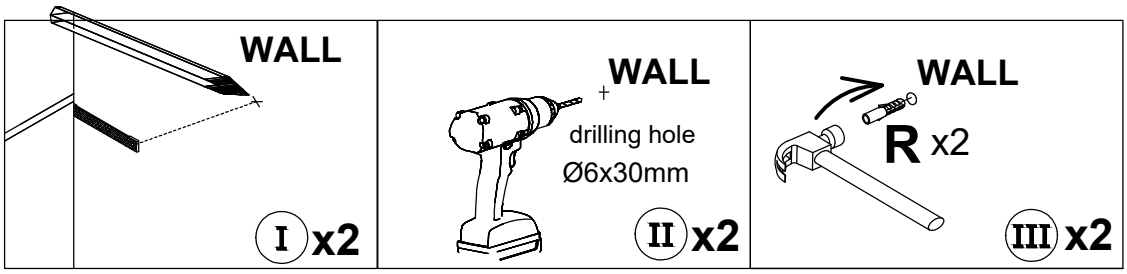
Please note that each terminal of V-1 can be used.



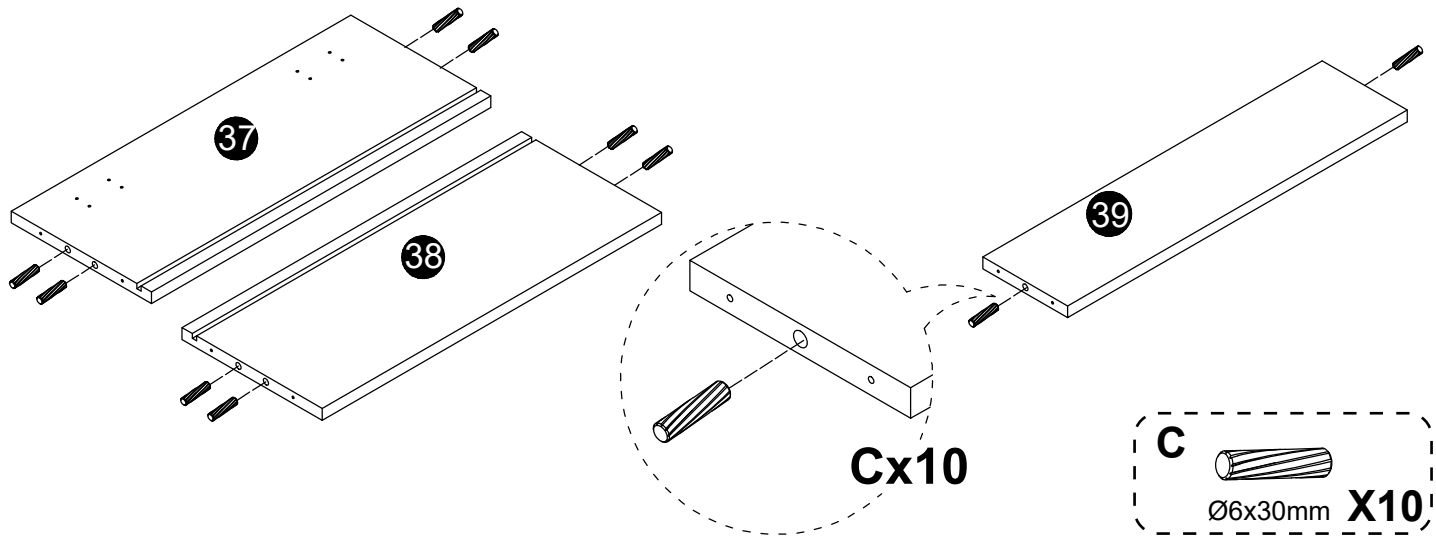


- N**  Ø4x12mm **X4**
- M**  **X2**

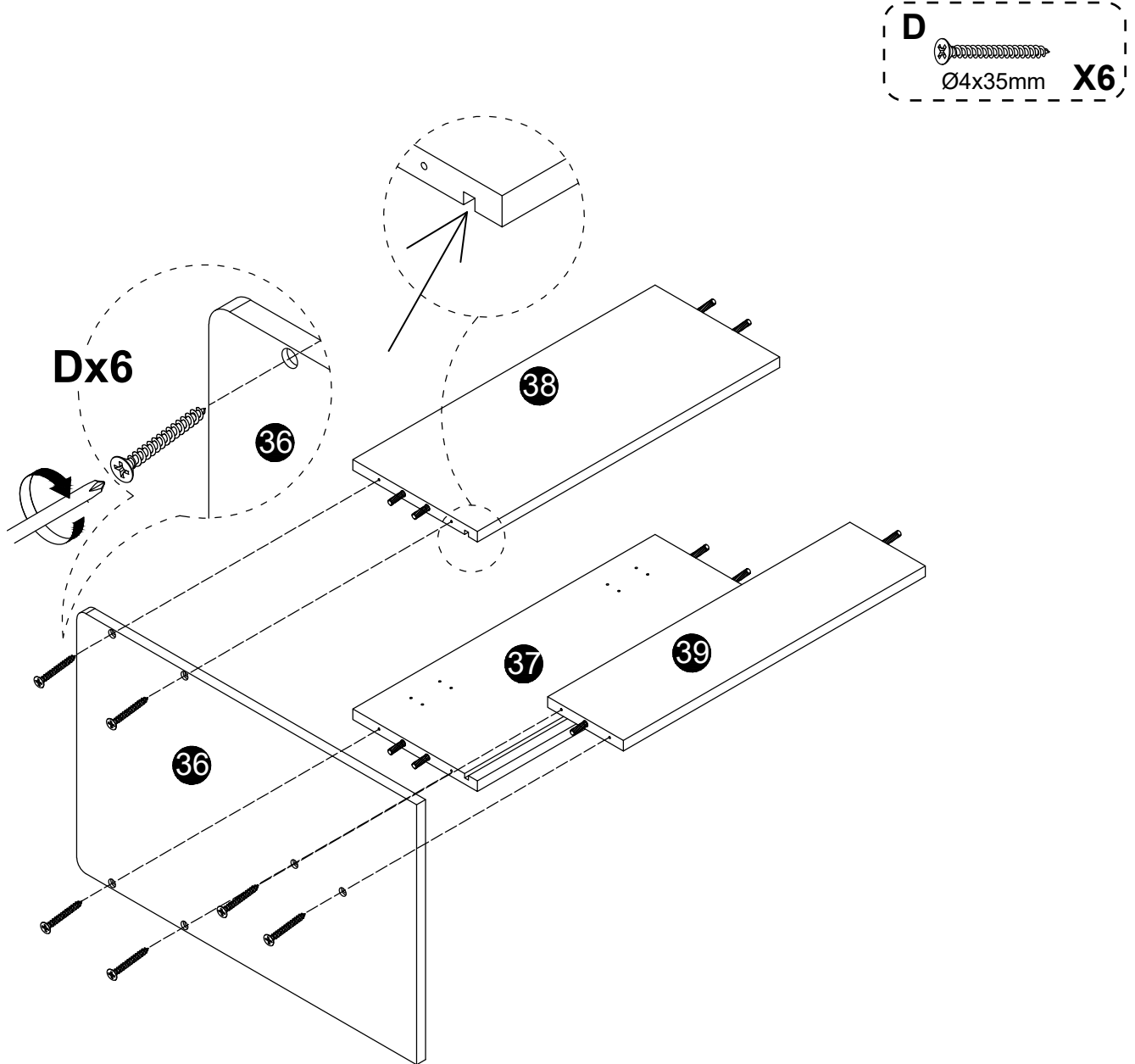




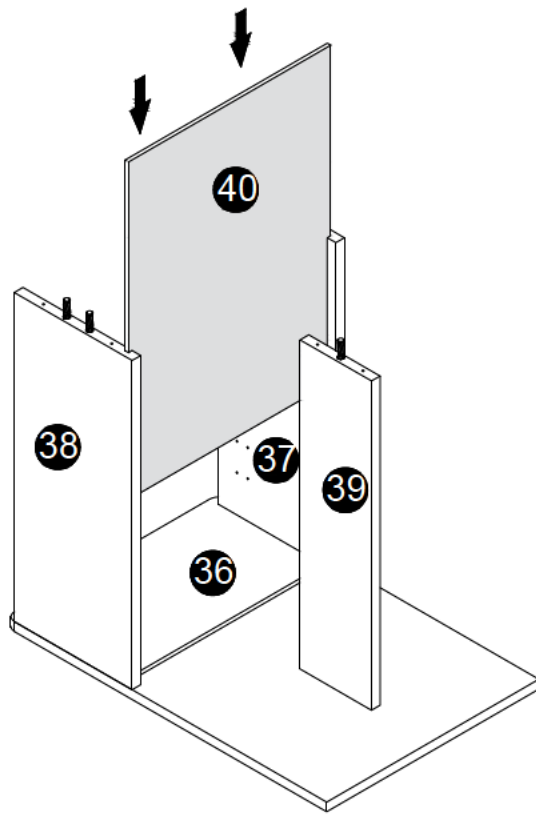
# 45 Stool board



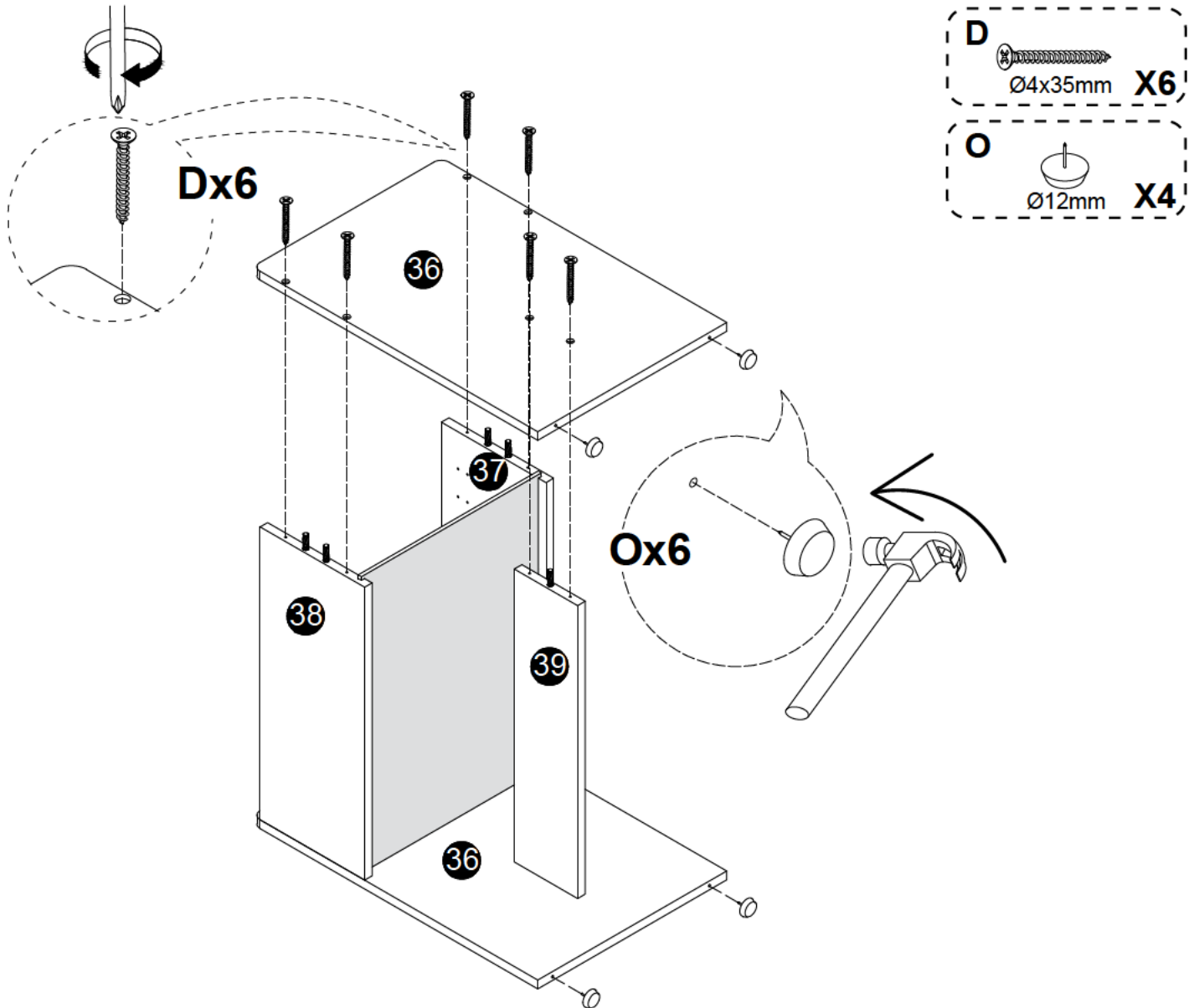
# 46



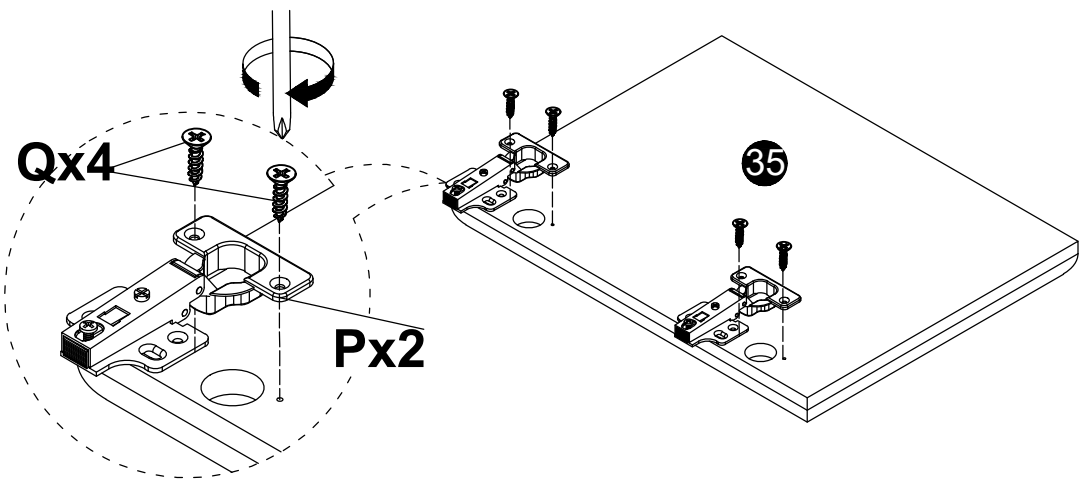
47

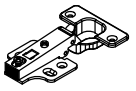



48

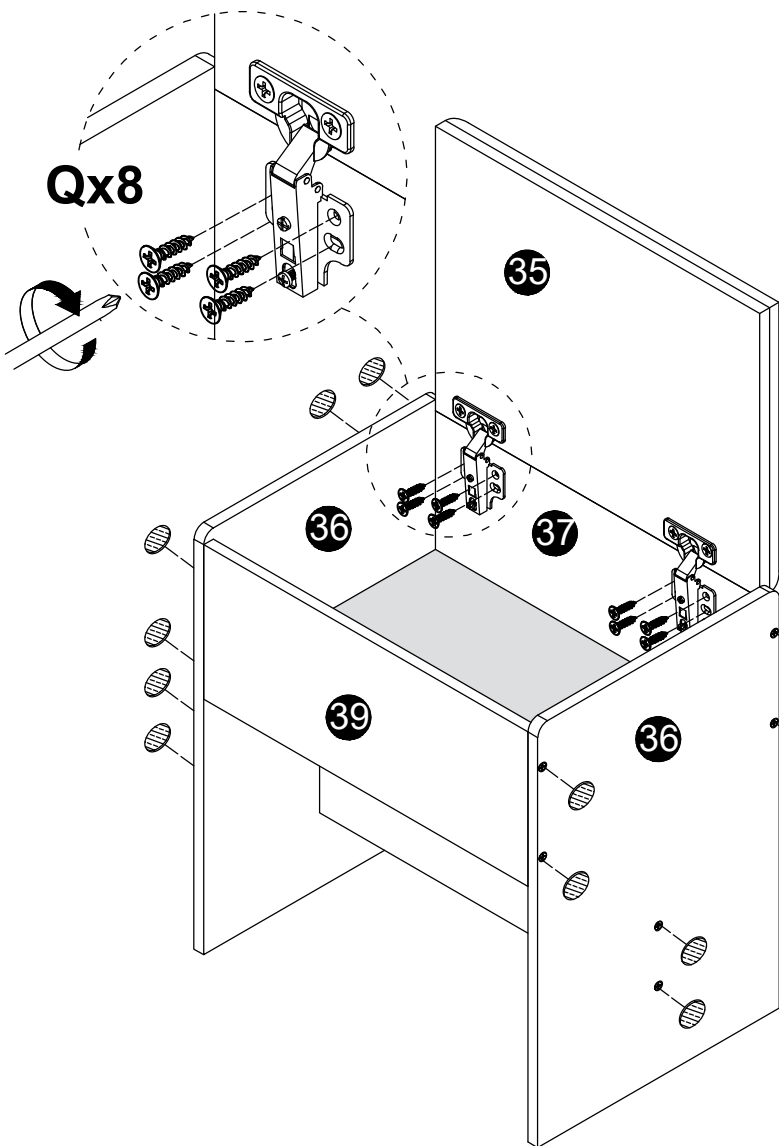




49

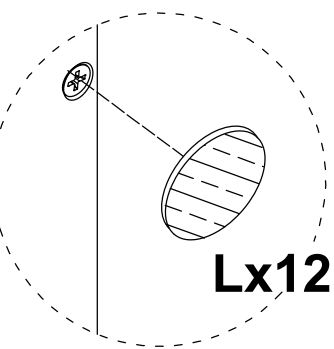


- P**  **X2**
- Q**  **Ø3.5x12mm X4**

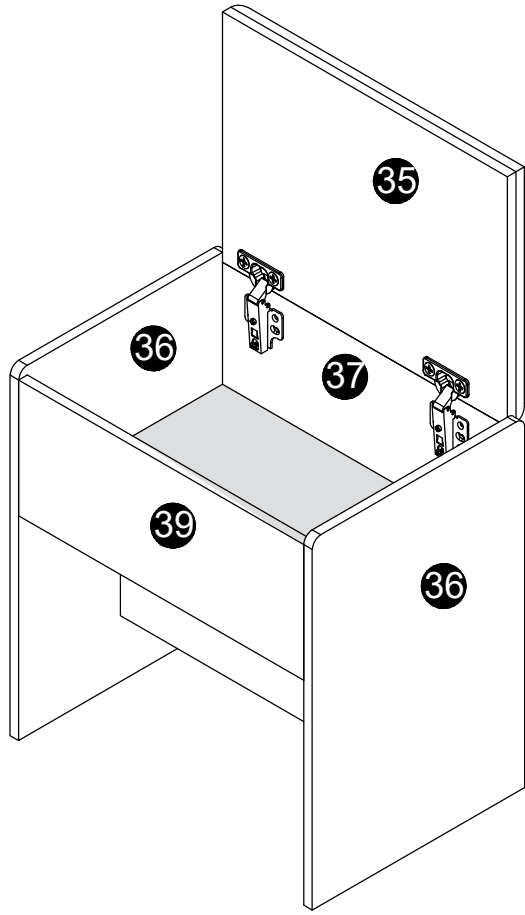
50



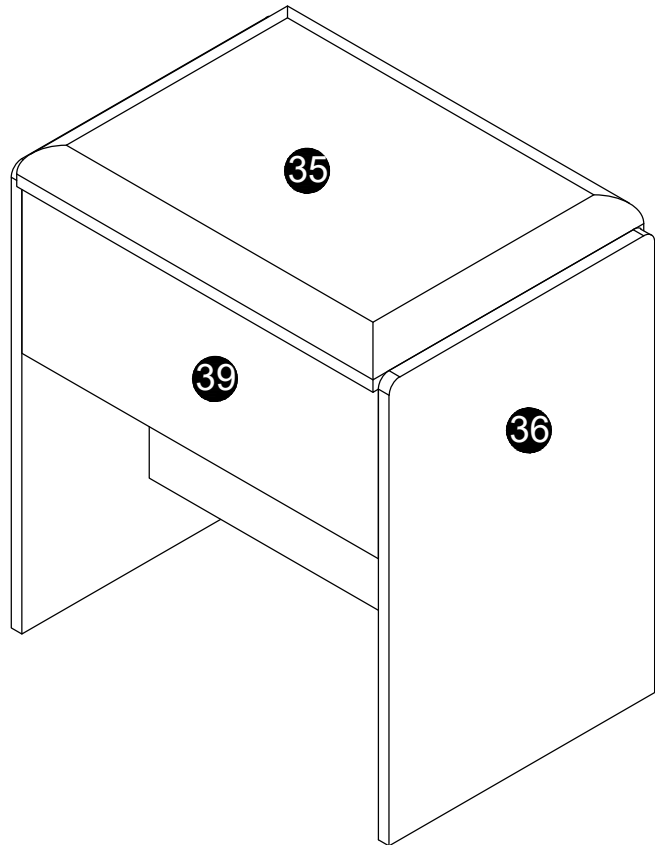
- Q**  **Ø3.5x12mm X8**
- L**  **Ø20mm X12**



51



52



# Complete!

