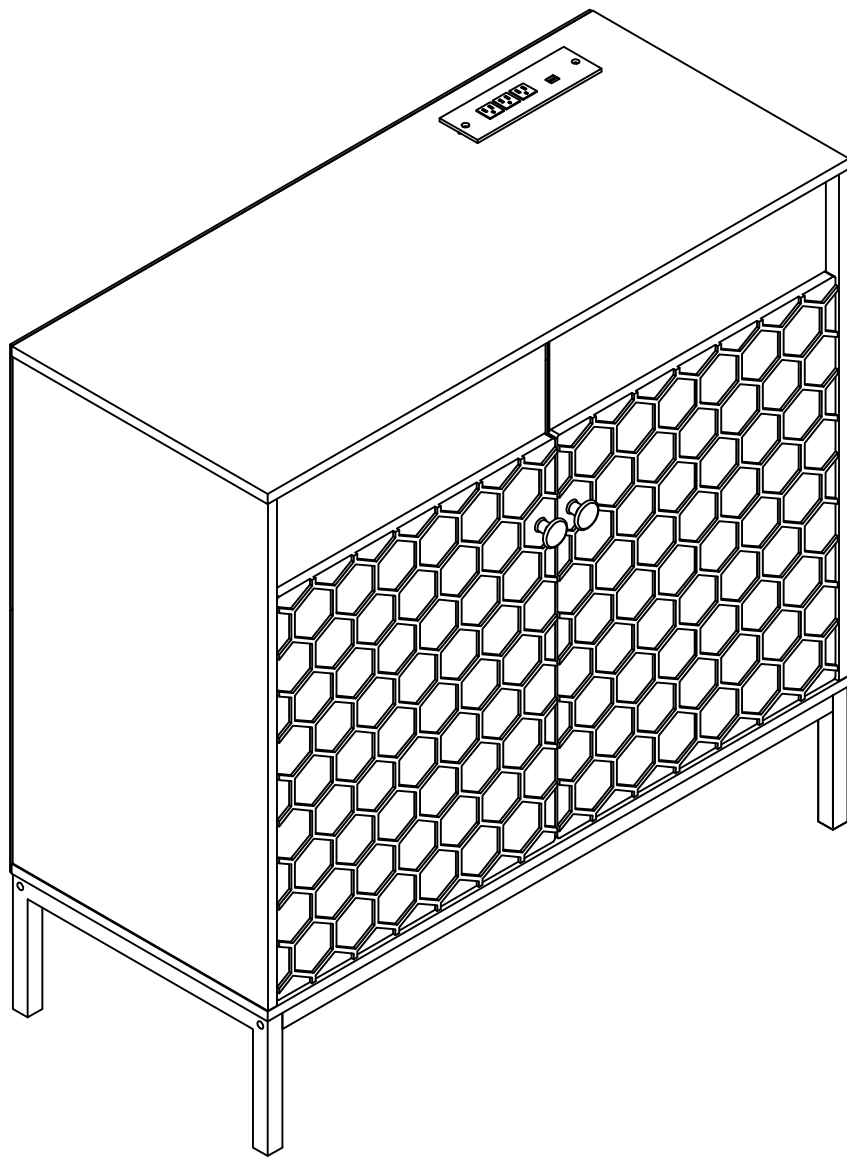
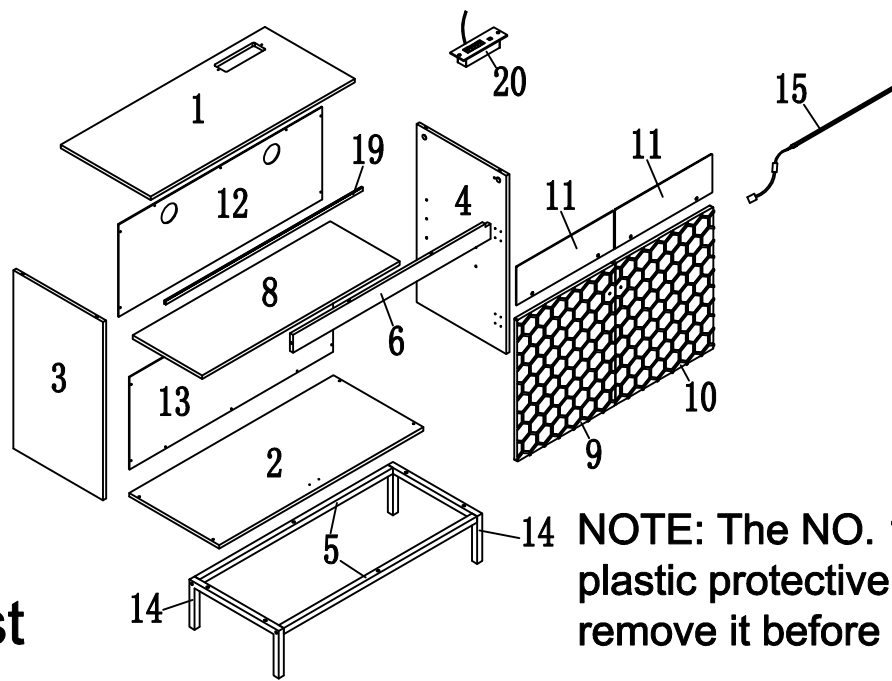


ASSEMBLY INSTRUCTION

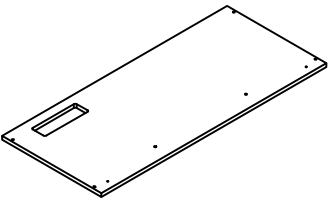
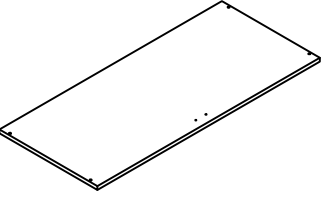
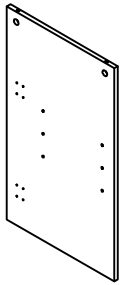
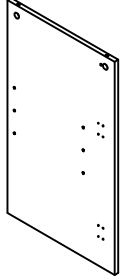
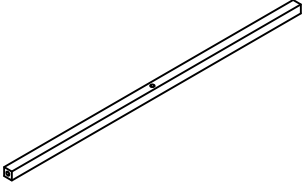
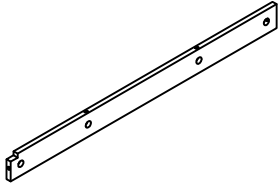
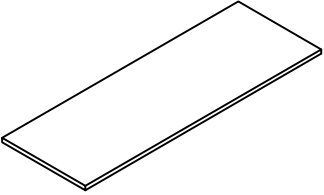
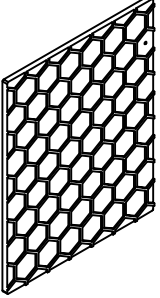
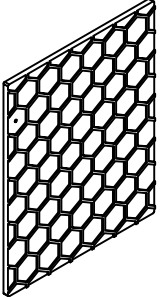
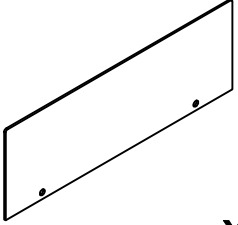
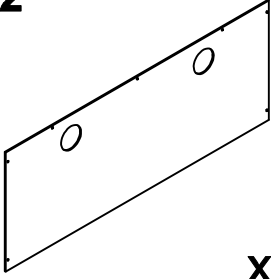
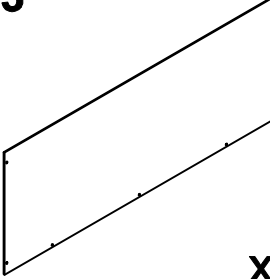
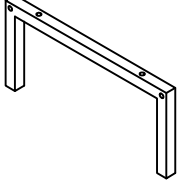
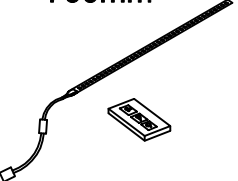
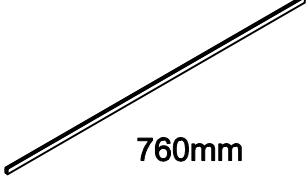
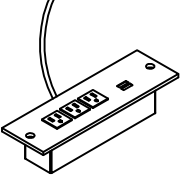


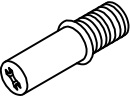
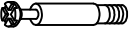

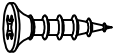

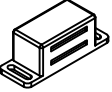
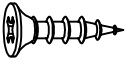

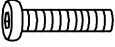
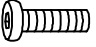

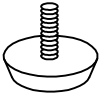


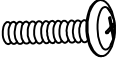

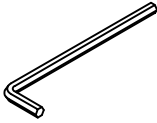
H020003-BK00
H020003-WH00



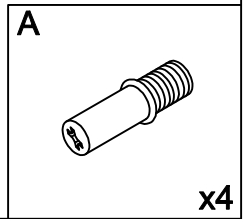
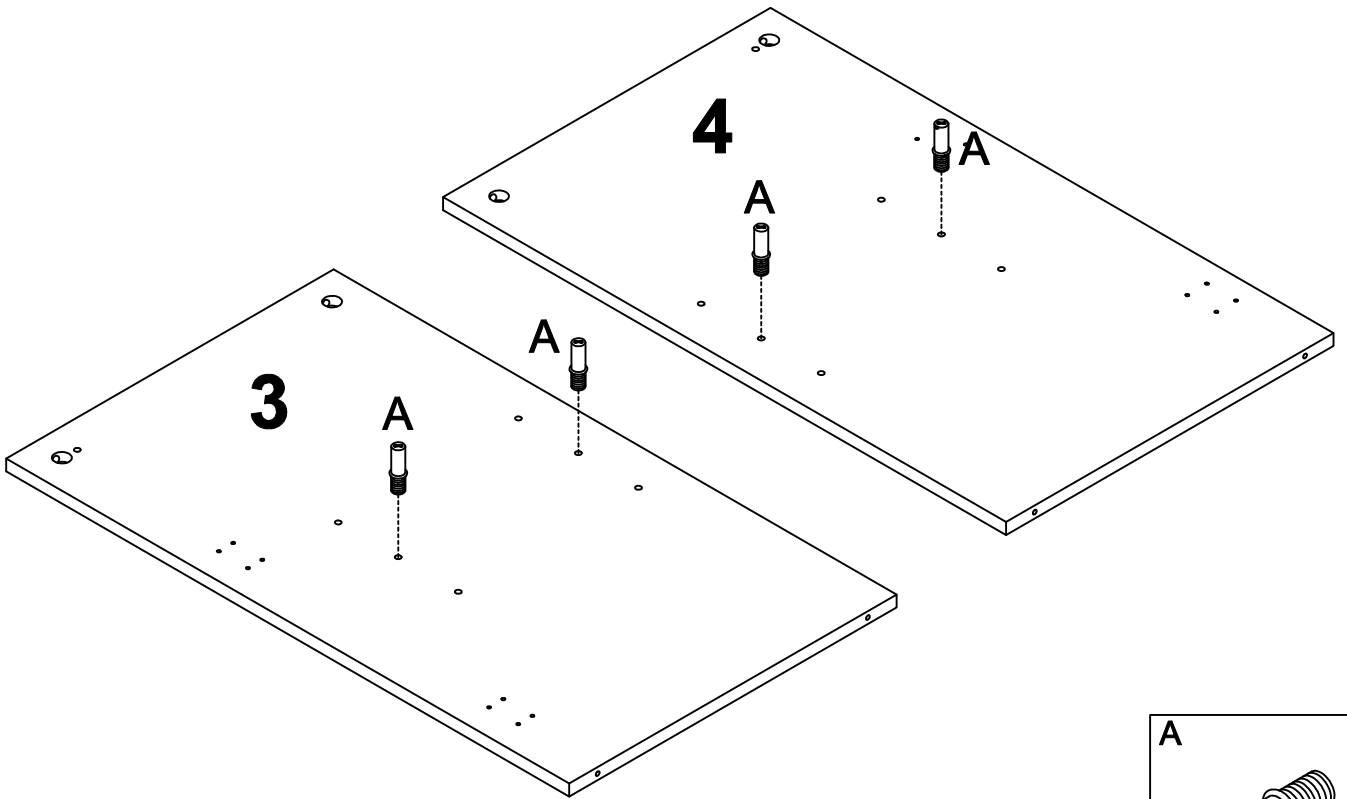
Packing List

NOTE: The NO. 11 there is plastic protective film, please remove it before assembly.

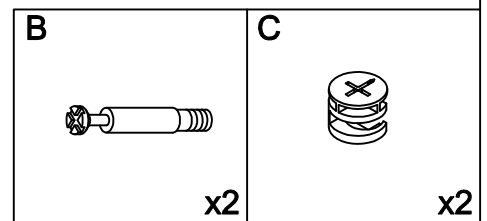
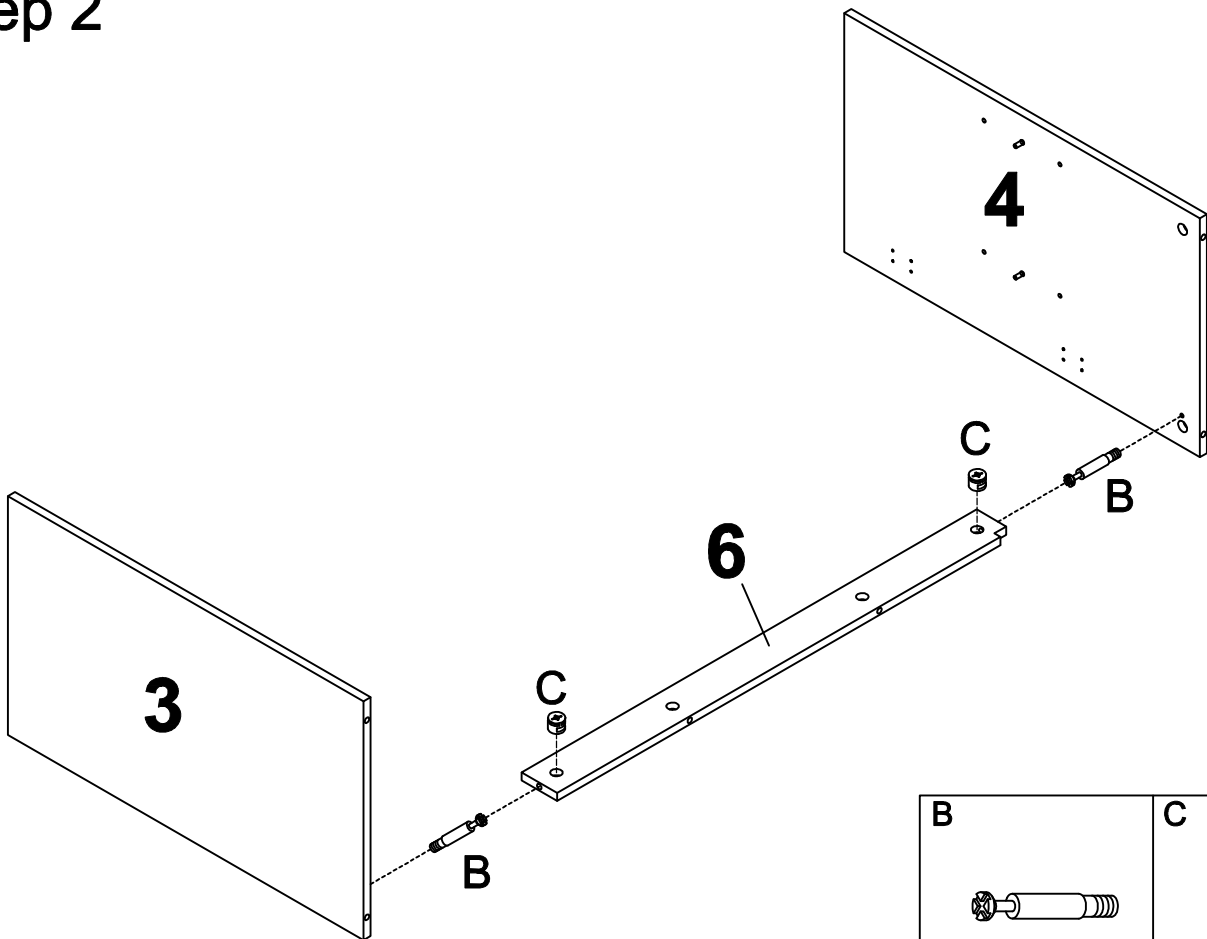
<p>1</p>  <p>x1</p>	<p>2</p>  <p>x1</p>	<p>3</p>  <p>x1</p>	<p>4</p>  <p>x1</p>
<p>5</p>  <p>x2</p>	<p>6</p>  <p>x1</p>	<p>8</p>  <p>x1</p>	<p>9</p>  <p>x1</p>
<p>10</p>  <p>x1</p>	<p>11</p>  <p>x2</p>	<p>12</p>  <p>x1</p>	<p>13</p>  <p>x1</p>
<p>14</p>  <p>x2</p>	<p>15</p> <p>700mm</p>  <p>x1</p>	<p>19</p> <p>760mm</p>  <p>x1</p>	<p>20</p>  <p>x1</p>

<p>A</p>  <p>x4</p>	<p>B</p>  <p>x8</p>	<p>C</p>  <p>x8</p>	<p>D M3.5x12</p>  <p>x43</p>	<p>E</p>  <p>x1</p>
<p>F</p>  <p>x1</p>	<p>G M3x14</p>  <p>x2</p>	<p>H M5x40</p>  <p>x4</p>	<p>I M6x45</p>  <p>x4</p>	<p>J M6x28</p>  <p>x6</p>
<p>K M6x10</p>  <p>x4</p>	<p>L</p>  <p>x4</p>	<p>M</p>  <p>x4</p>	<p>N</p>  <p>x2</p>	<p>O M4x18</p>  <p>x2</p>
<p>P</p>  <p>x2</p>	<p>Q</p>  <p>x1</p>			

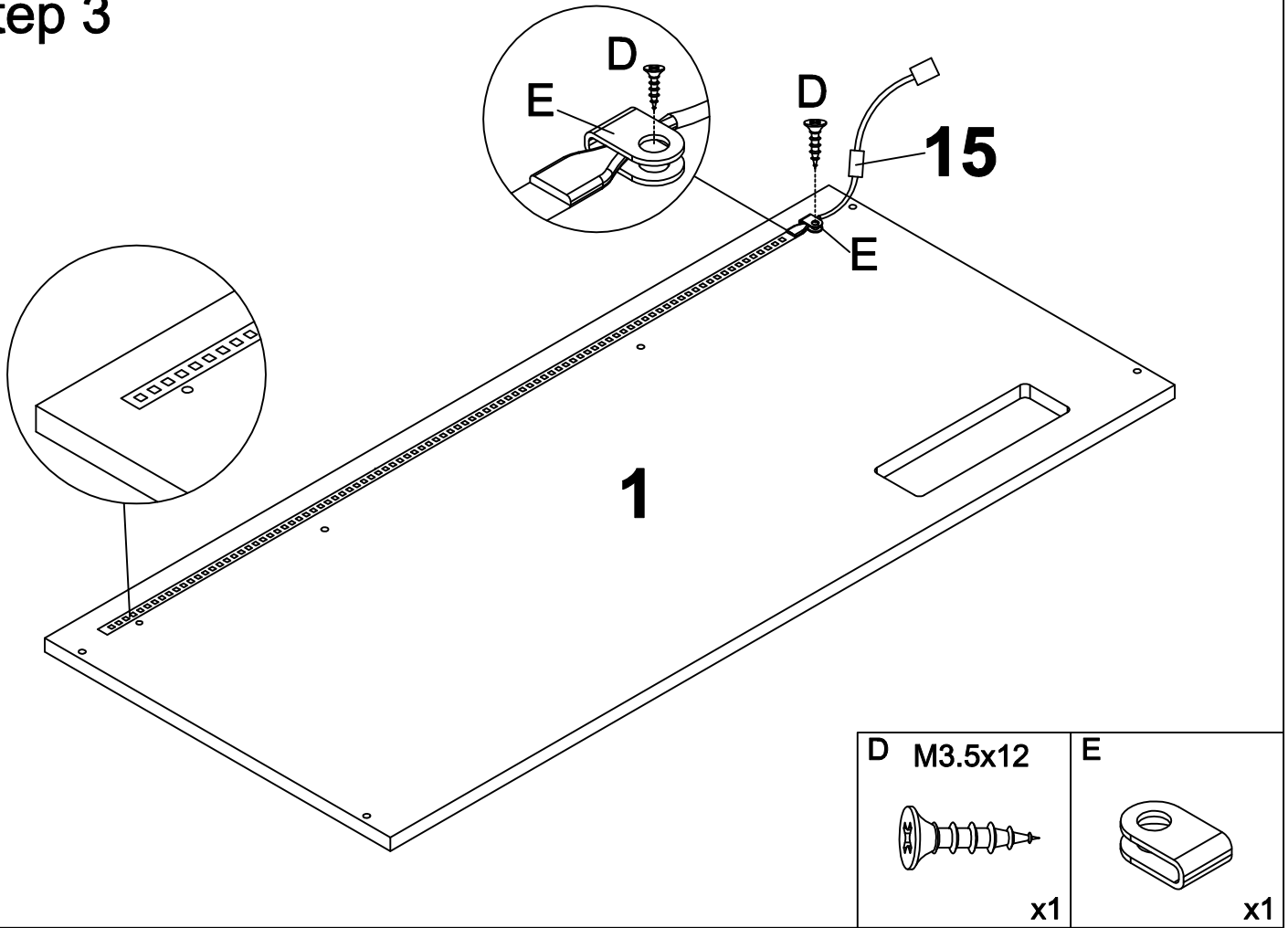
Step 1



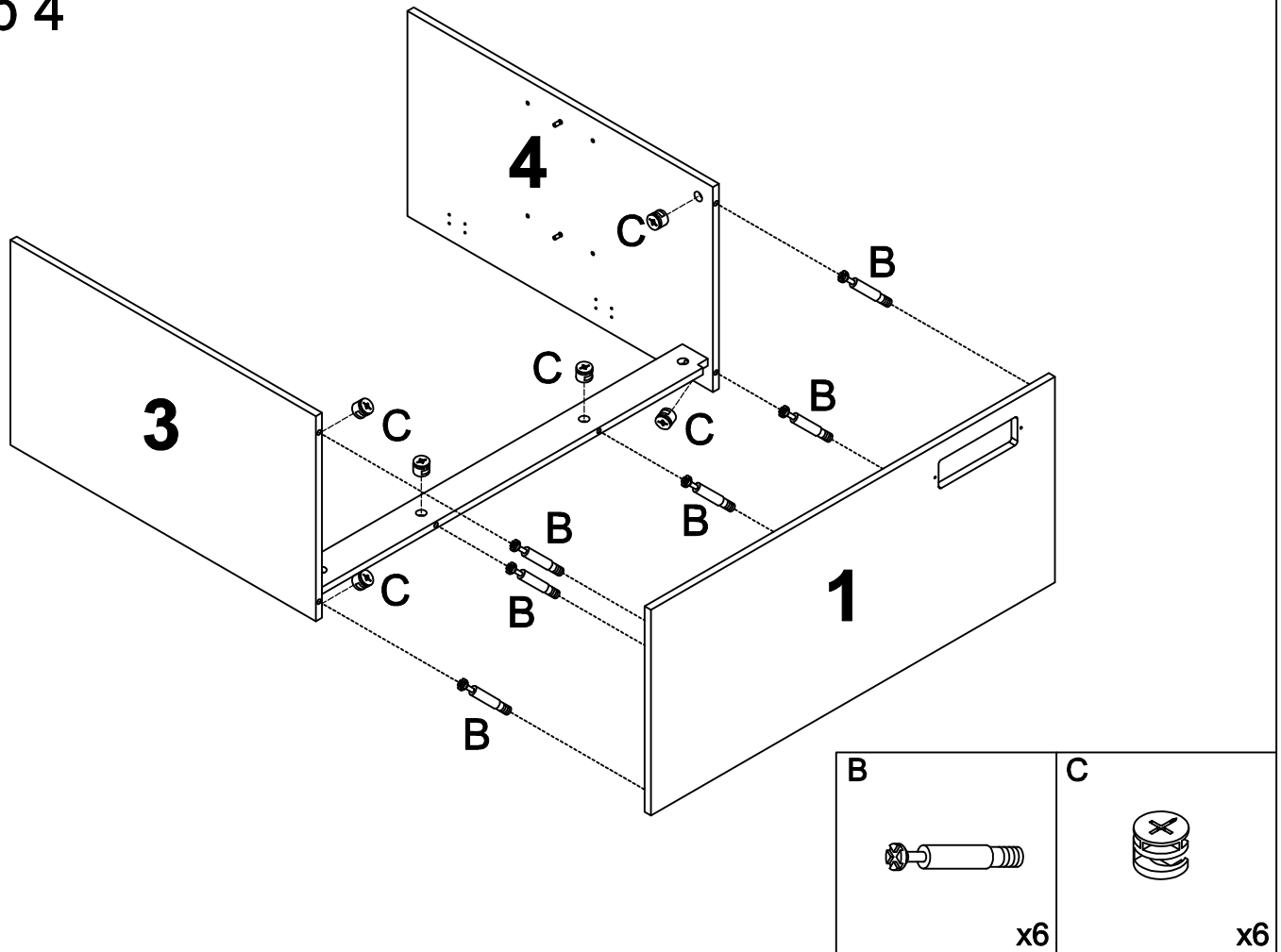
Step 2



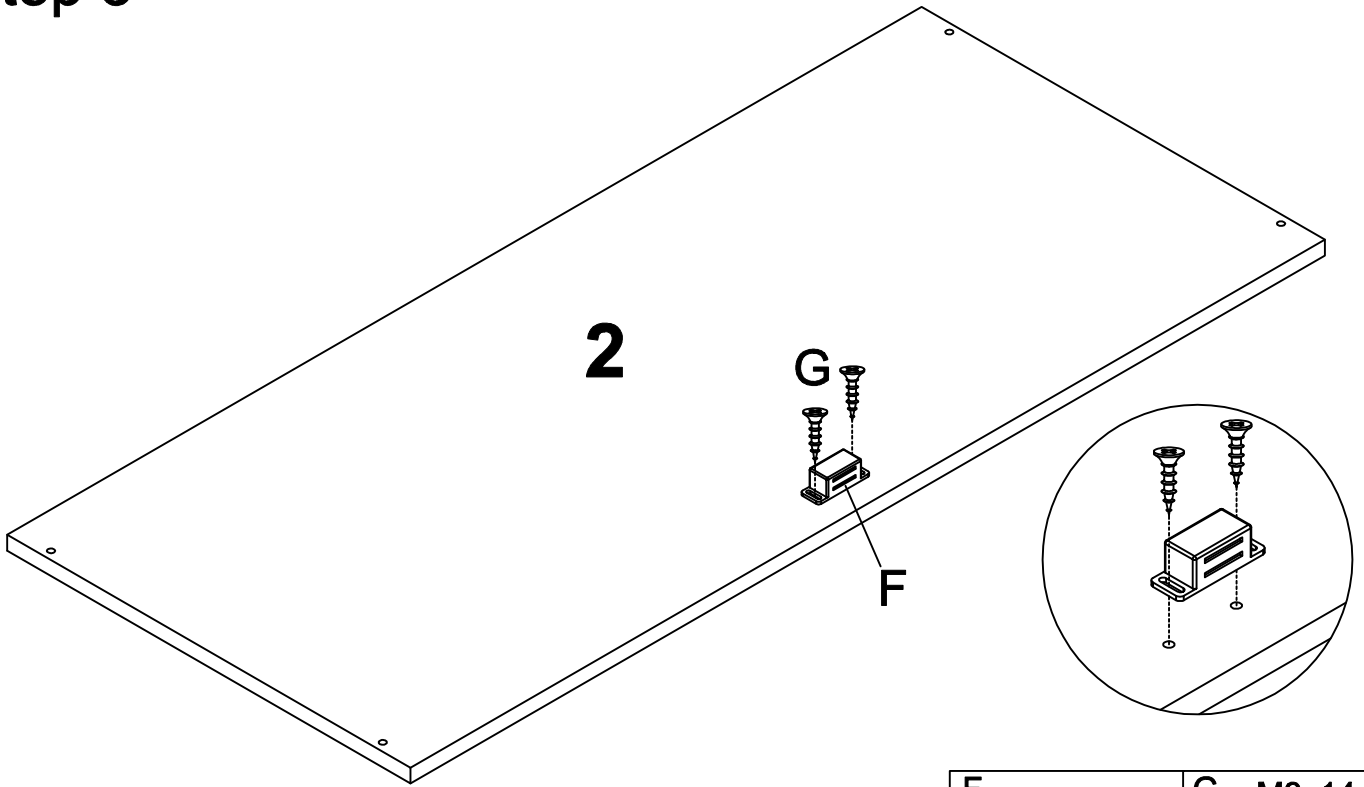
Step 3

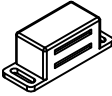
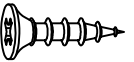


Step 4

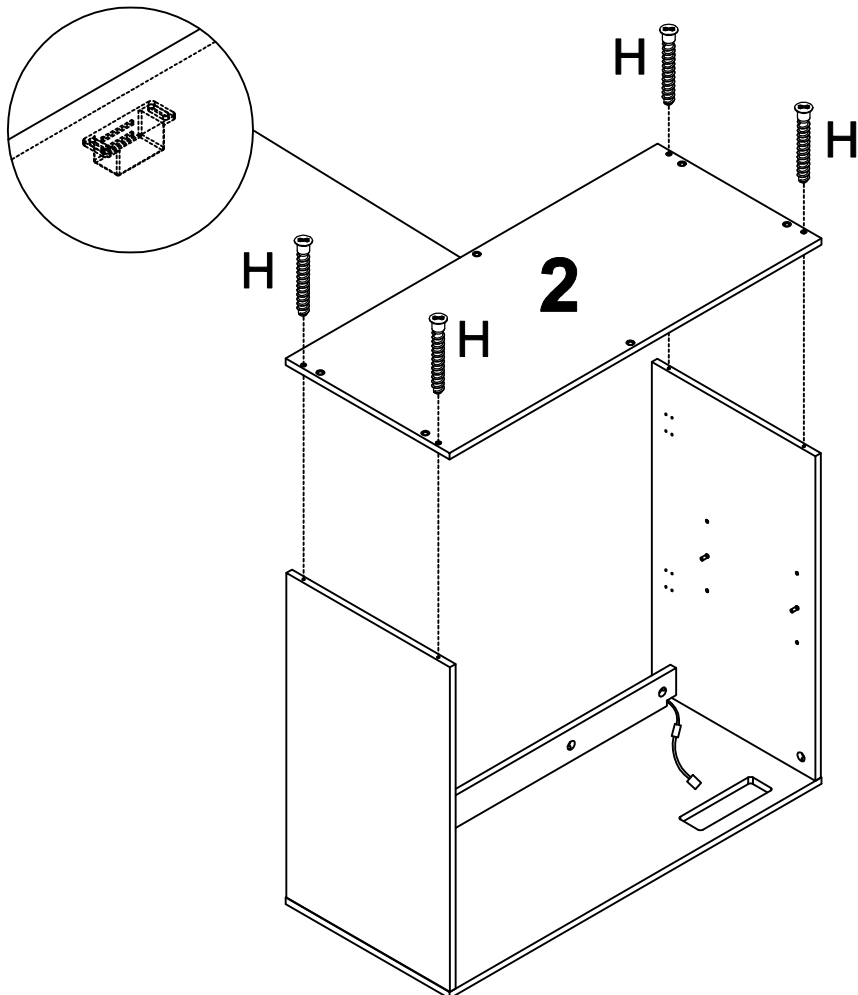



Step 5



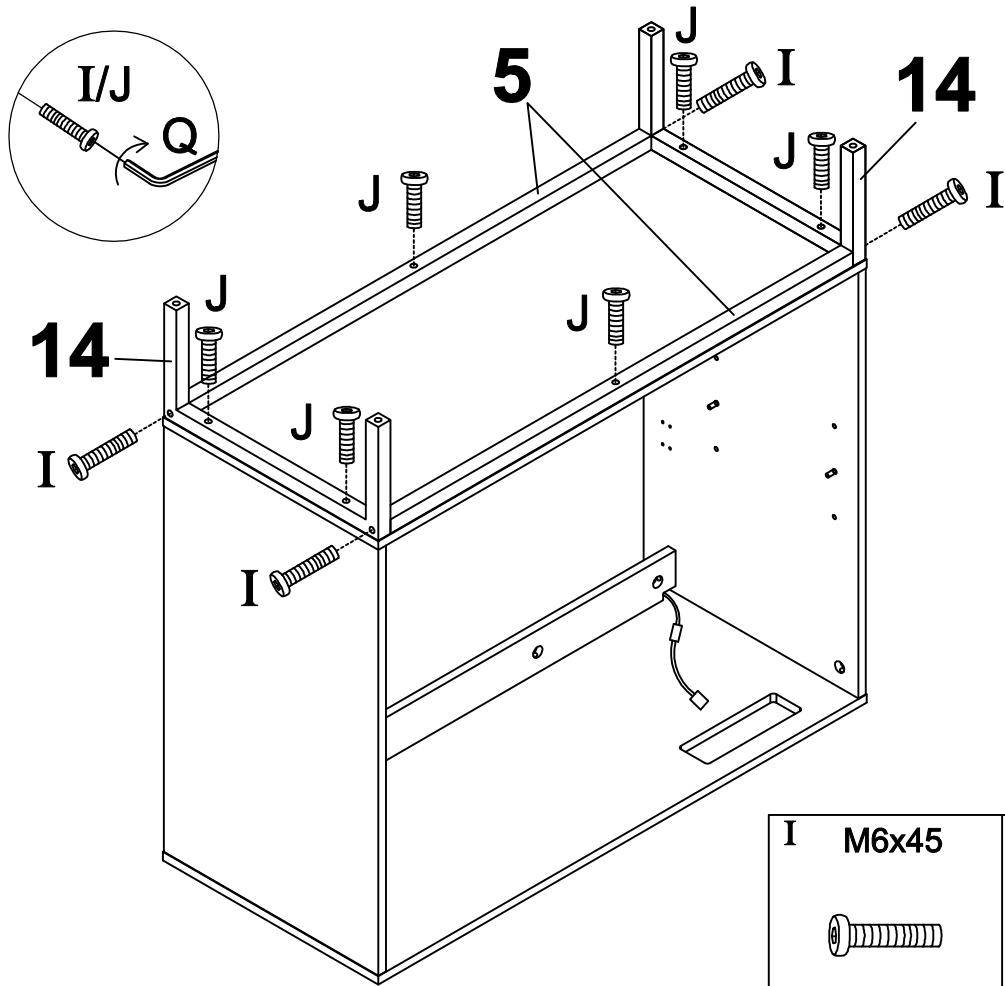
F  x1	G M3x14  x2
--	---

Step 6

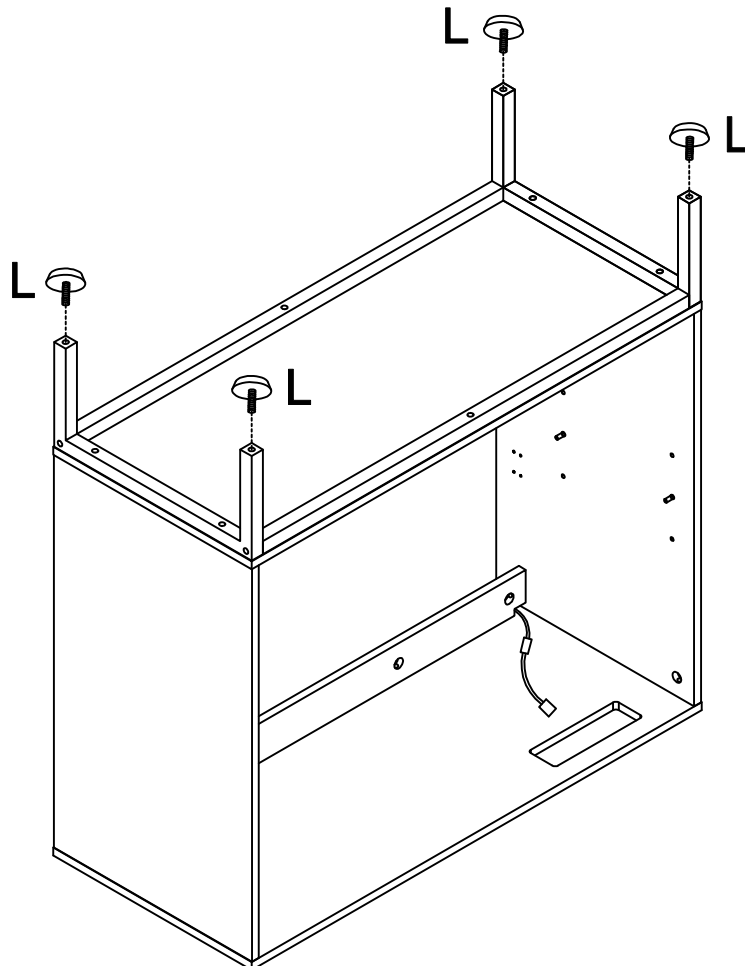


H M5x40  x4

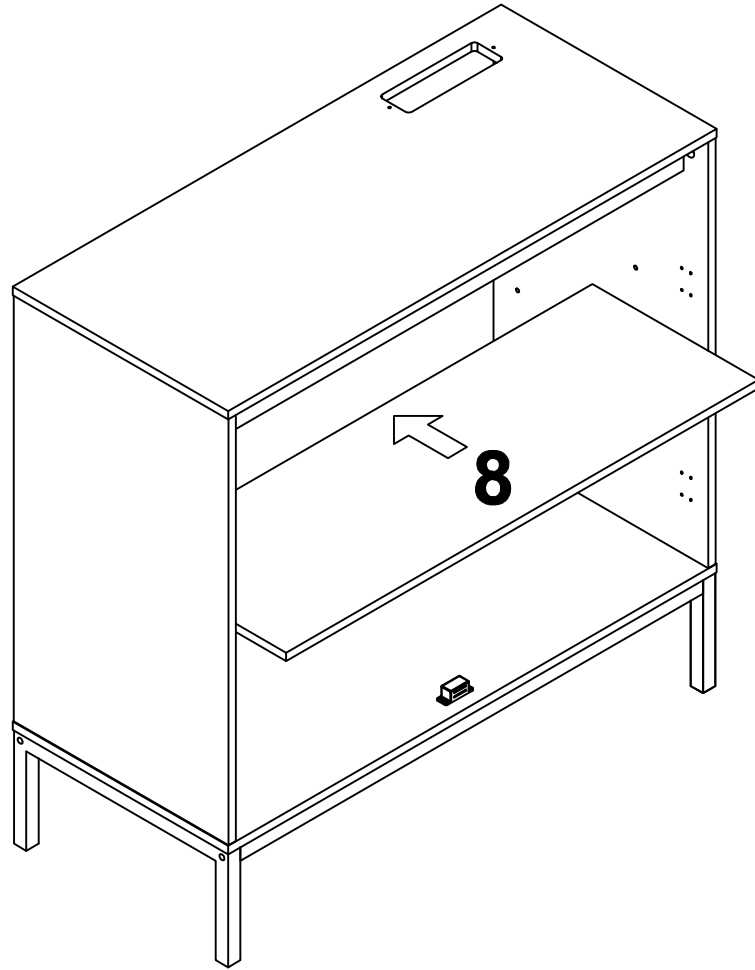
Step 7



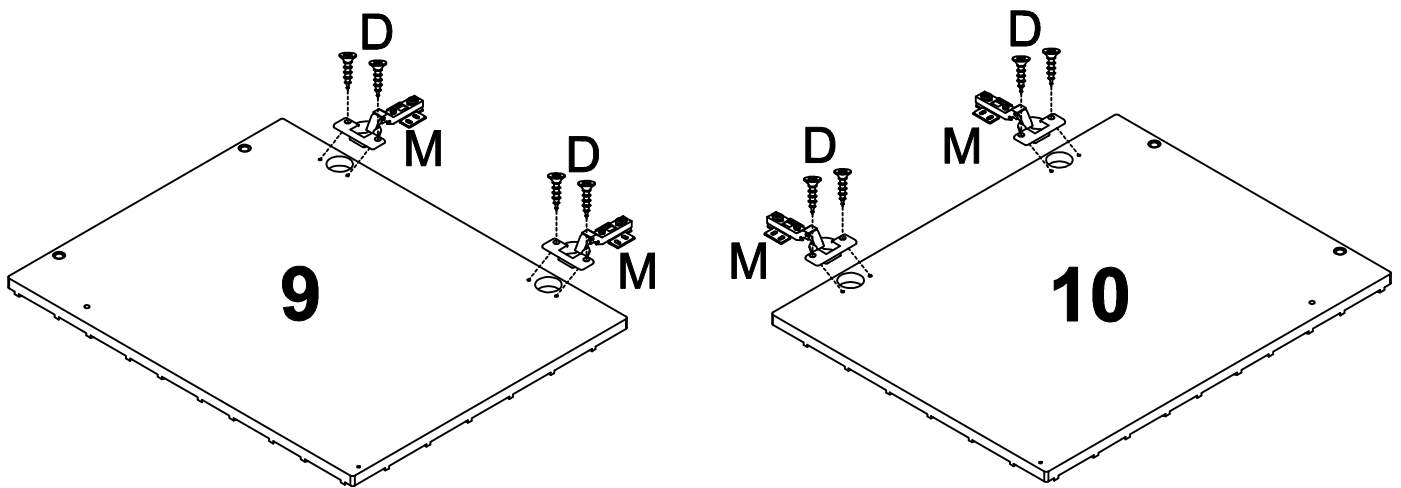
Step 8

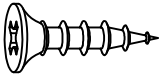
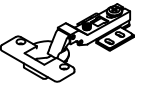


Step 9

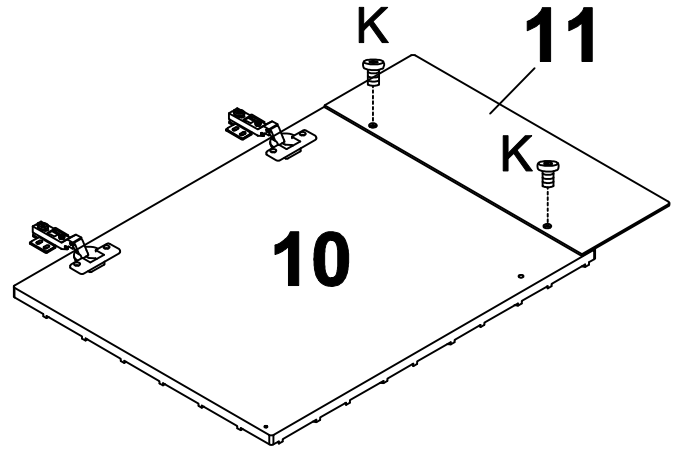
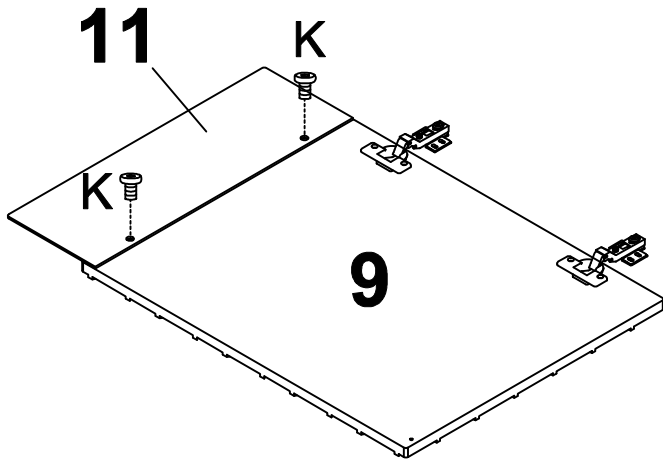


Step 10



D M3.5x12	M
	
x8	x4

Step 11

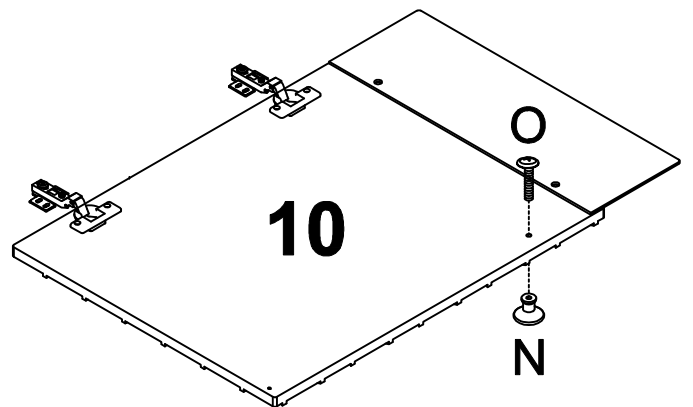
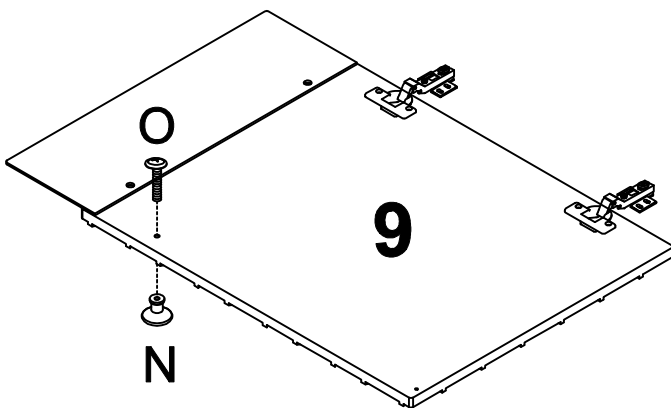


K M6x10



x4

Step 12

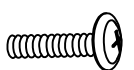


N



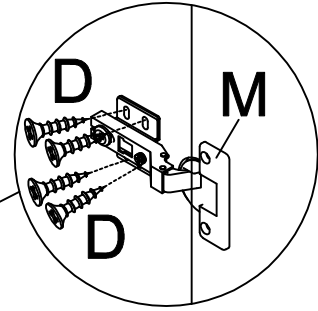
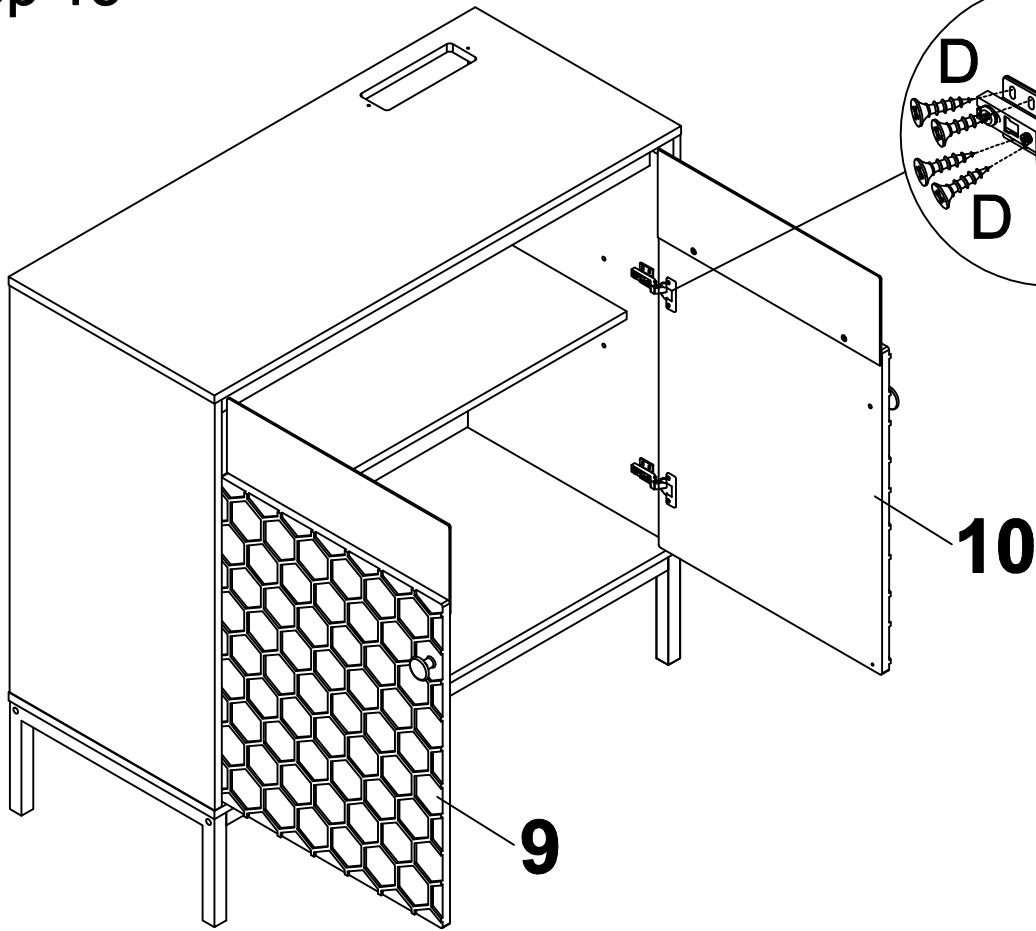
x2

O M4x18



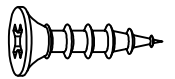
x2

Step 13



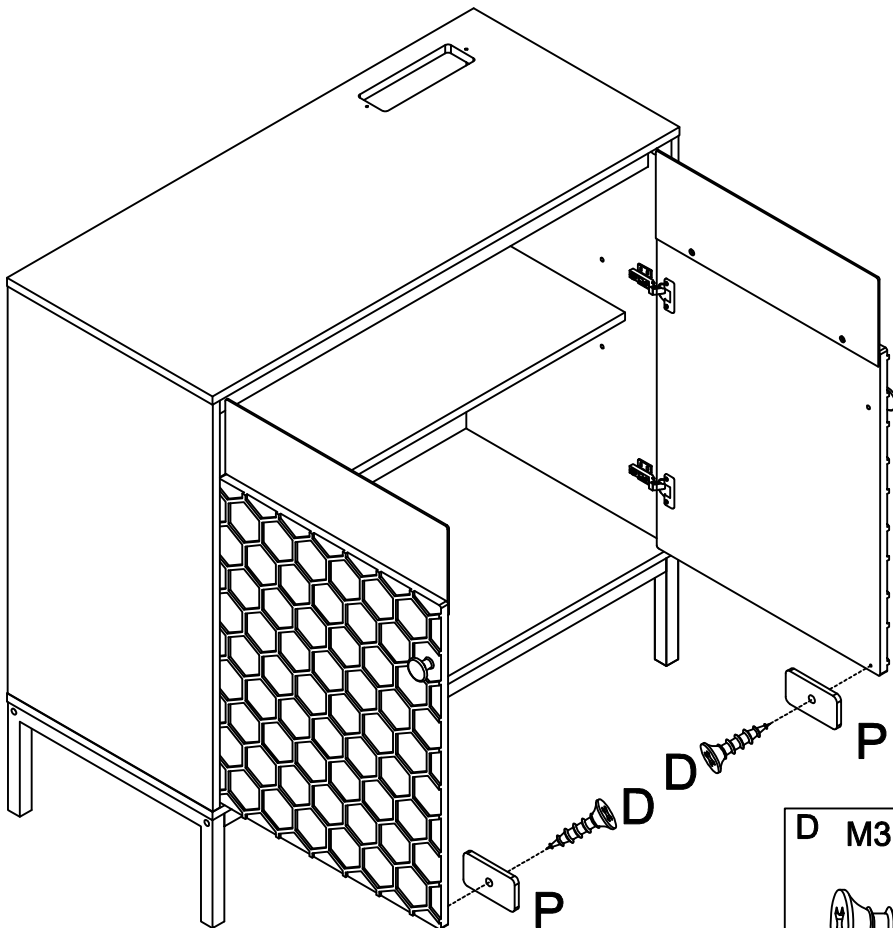
X4

D M3.5x12

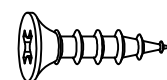


x16

Step 14

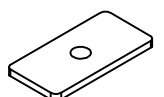


D M3.5x12



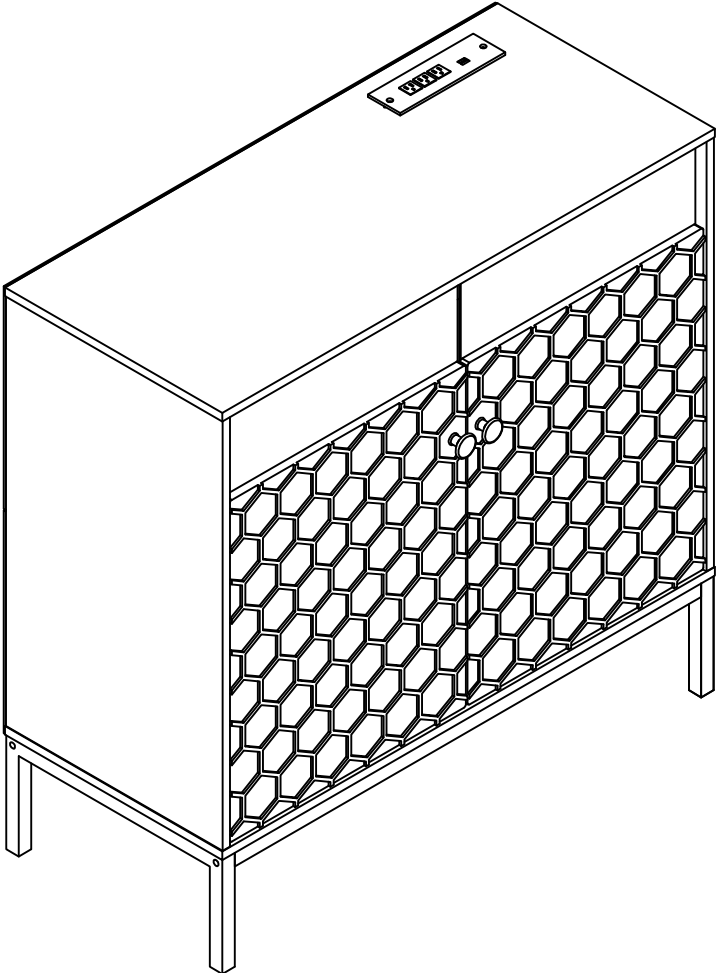
x2

P



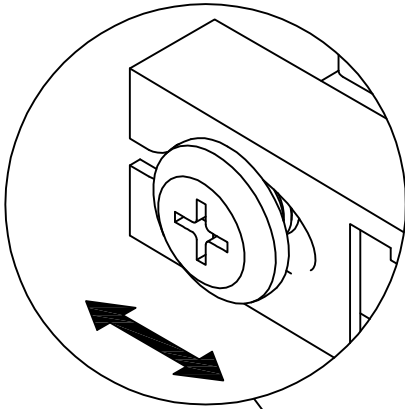
x2

Finish !!!

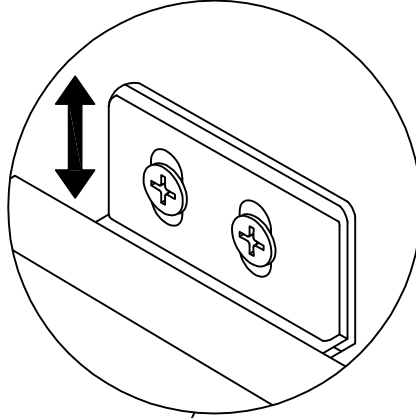


Hinge Installation Diagram

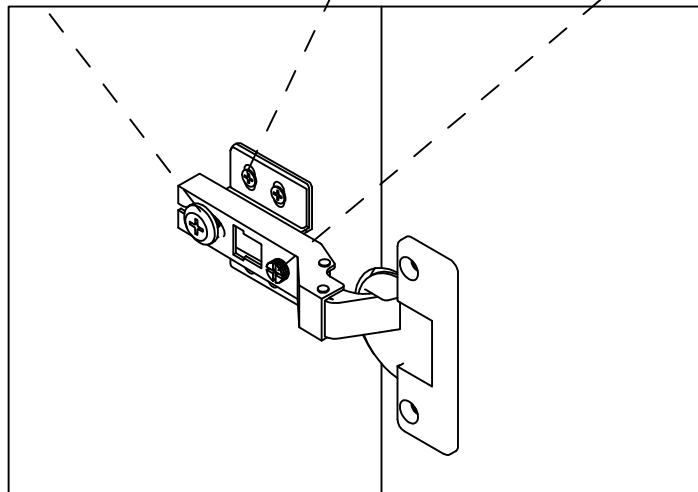
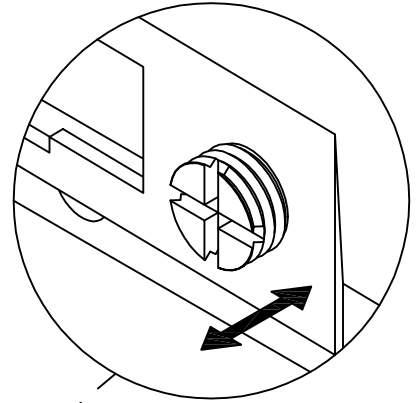
Left and Right



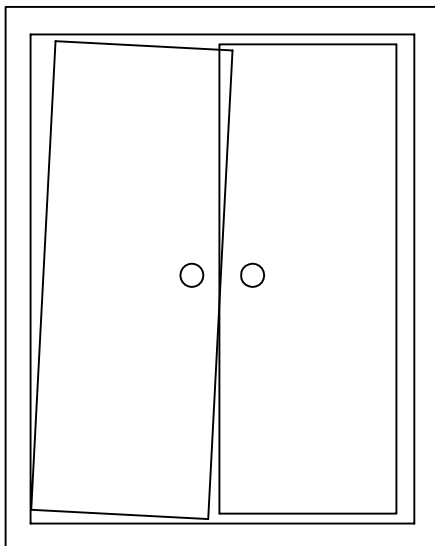
Up and Down



Back and Forth



Before



After

