



Safety And Maintanances

Important - Please read these instructions carefully before assembly

Please verify that all the components and tools listed have been received.

Please remove all fittings from the box and separate them into homologous groups.

Please keep children and animals away from the working areas;swallow small parts may cause suffocation.

Please make sure you have enough space to lay out the parts before starting.

Please assemble the products as close to their final position as possible.

Do not place furniture directly in front of radiators, fires, or any other source of heat.

Having two people will make the assembly process easier.

Please dispose of all packaging carefully and responsibly.



General care and maintenance

Please clean the product with a damp cloth; do not use bleach or abrasive cleaners.

Do not allow the spill to stay on the surface for a long time.

Do not clean with products containing the following: acetone(e.g.,nail varnish remover), ammonia(e.g.,bleach),or sodium hydroxide(e.g.,caustic soda, drain and oven cleaners).

Please check whether there are missing screws in the product regularly.

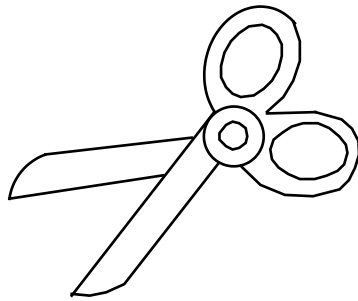
The product should not be discarded with household waste. and please take it to your local disposal center.



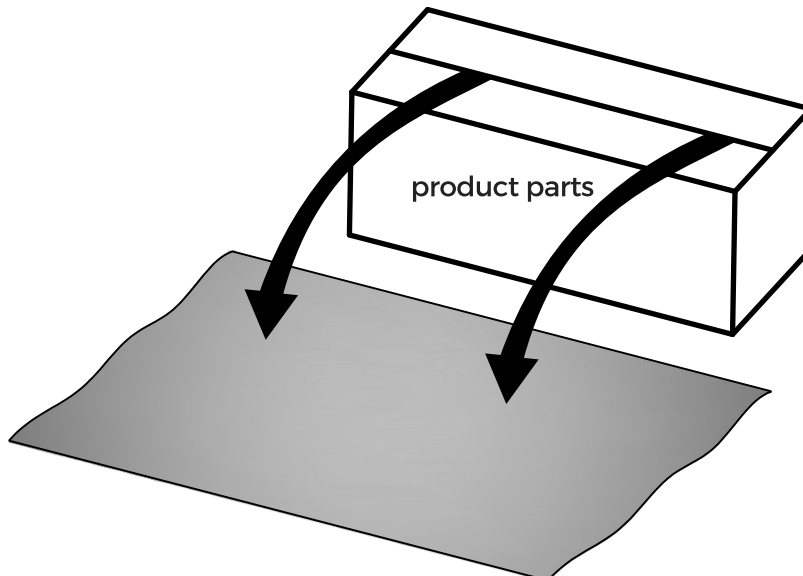
Safety And Maintanances

Important - Please read the instructions carefully before assembly.

Tools Required

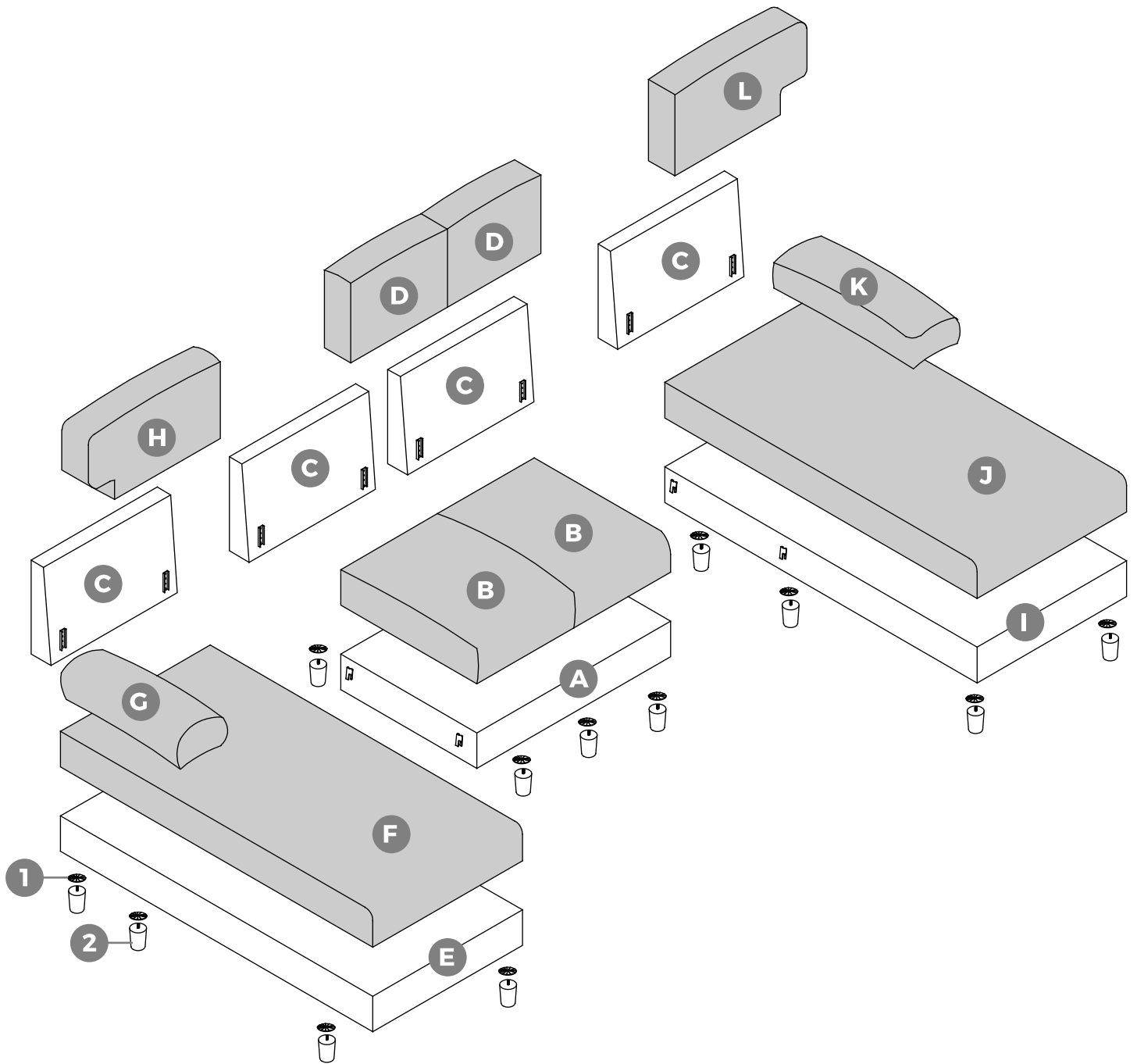


Lay a piece of clean paper or carpet on the floor, then put the product parts on it to prevent scratching.



Components

Please check if all the pieces listed below are received.

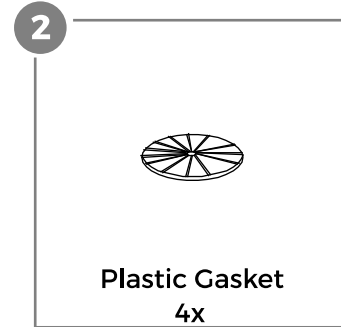
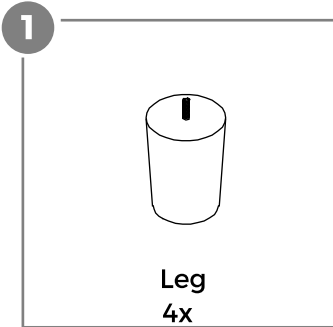
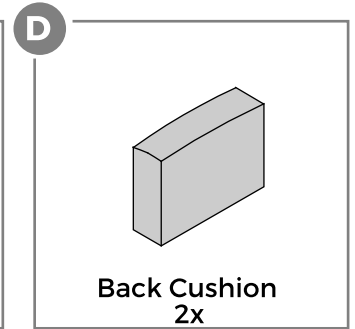
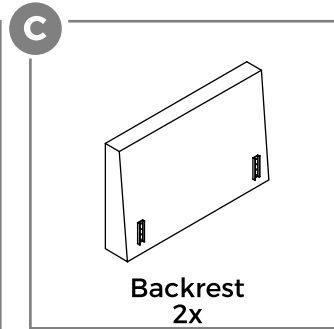
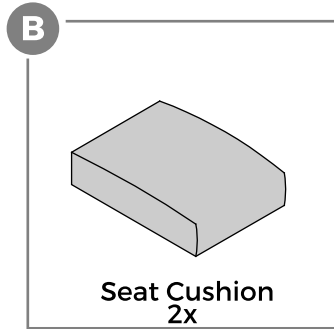
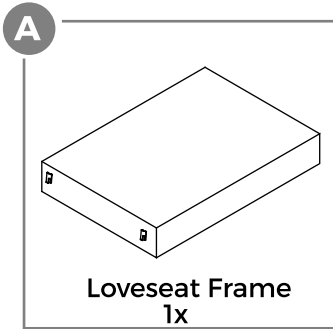


Components

Please check if all the pieces listed below are received.

Parts

【Package A】

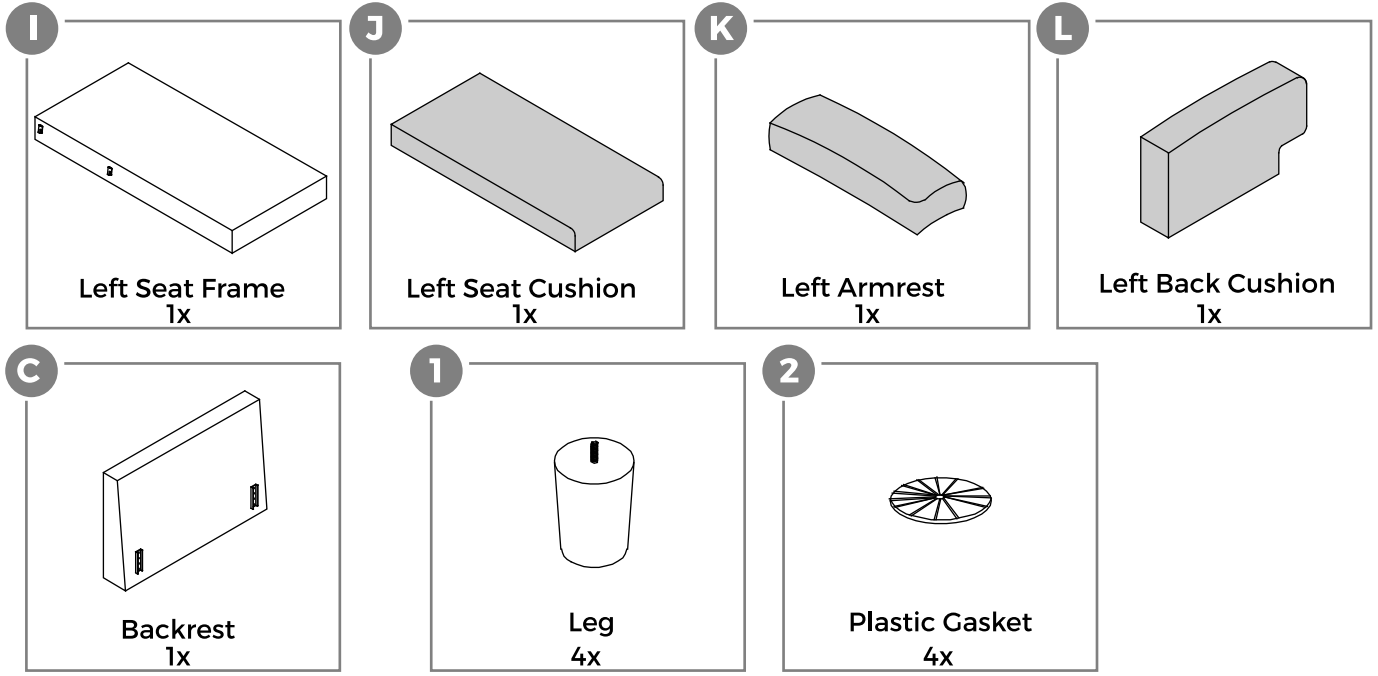


Components

Please check if all the pieces listed below are received.

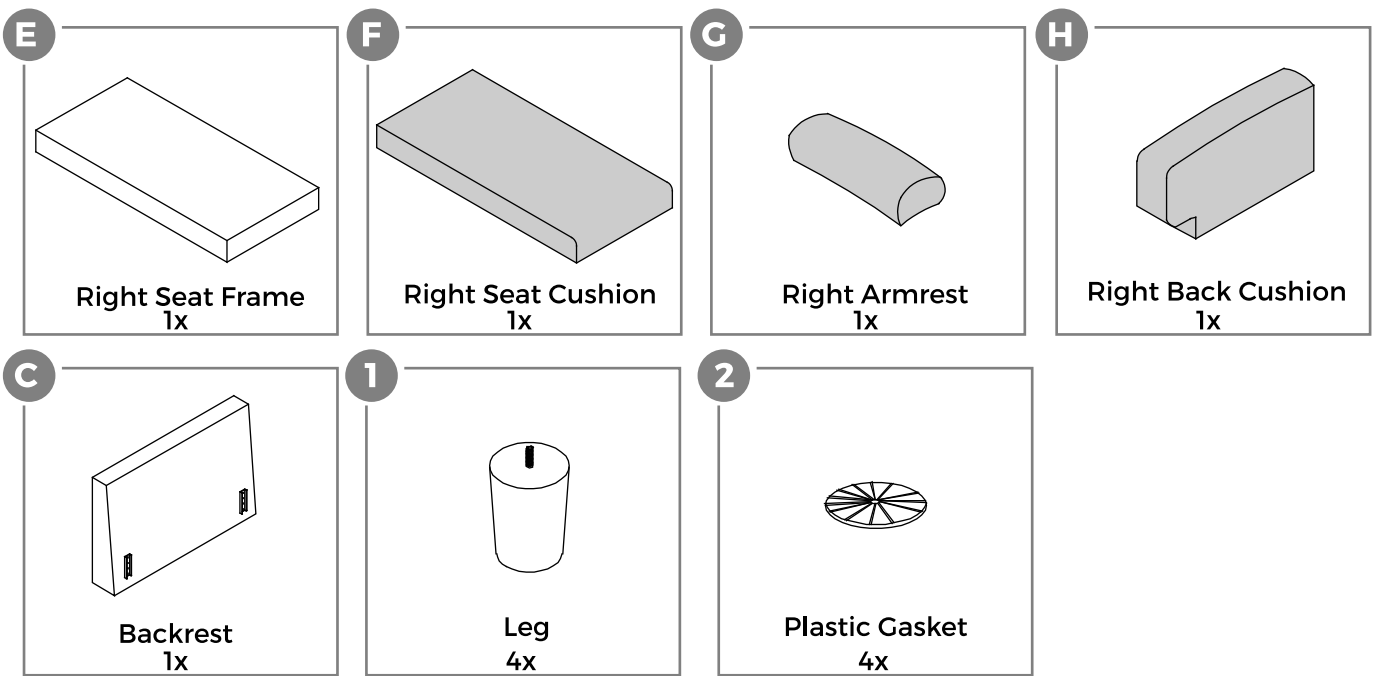
Parts

【Package B】



Parts

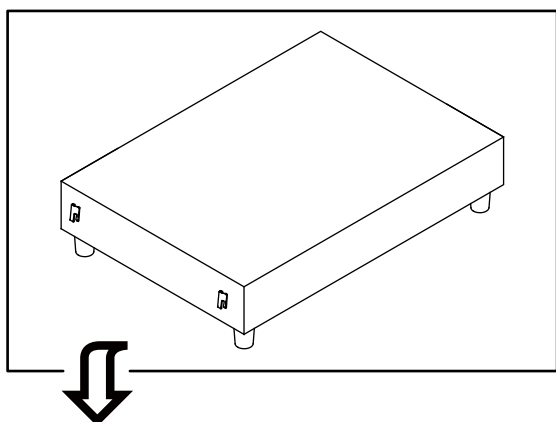
【Package C】



Assembly Instructions

CAUTION : Inappropriate installation of screws will cause damages to the product !

Step 1

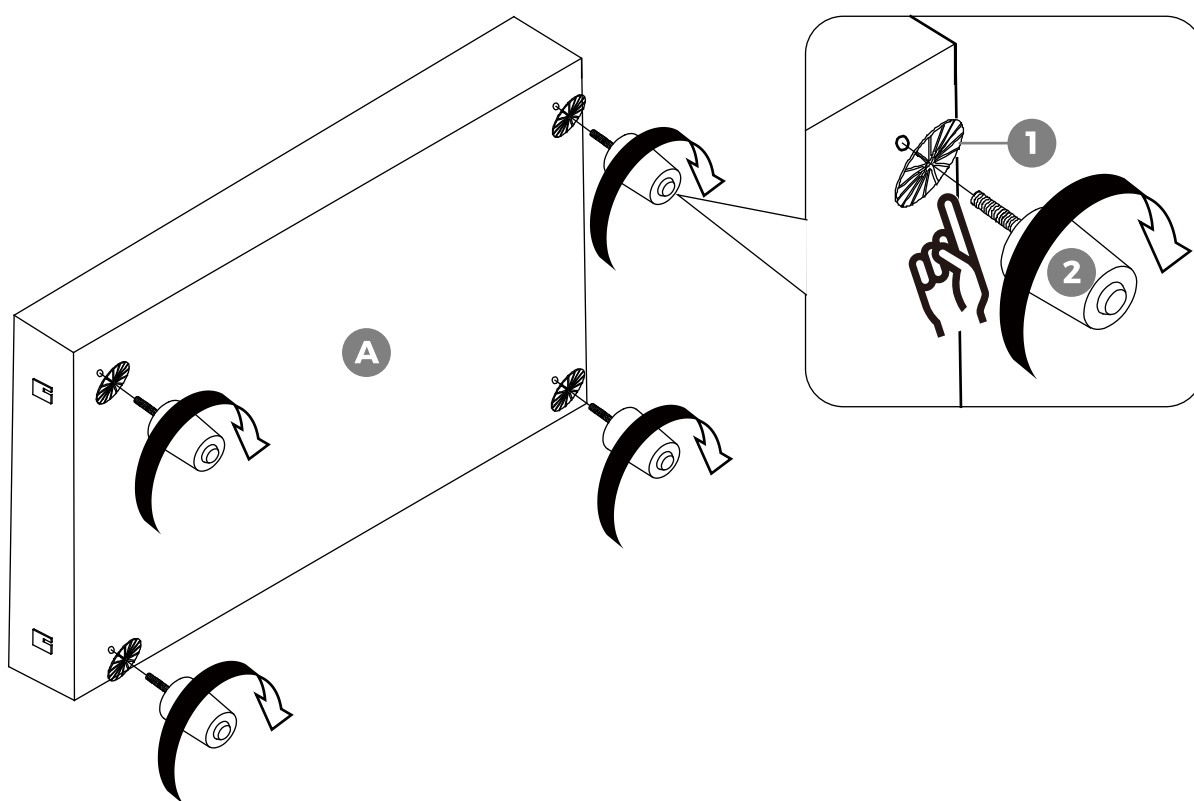


Attach the legs(1) with plastic gasket to the base frame (A) and tighten the legs clockwise onto the base frame.



Tips for proper legs installation:

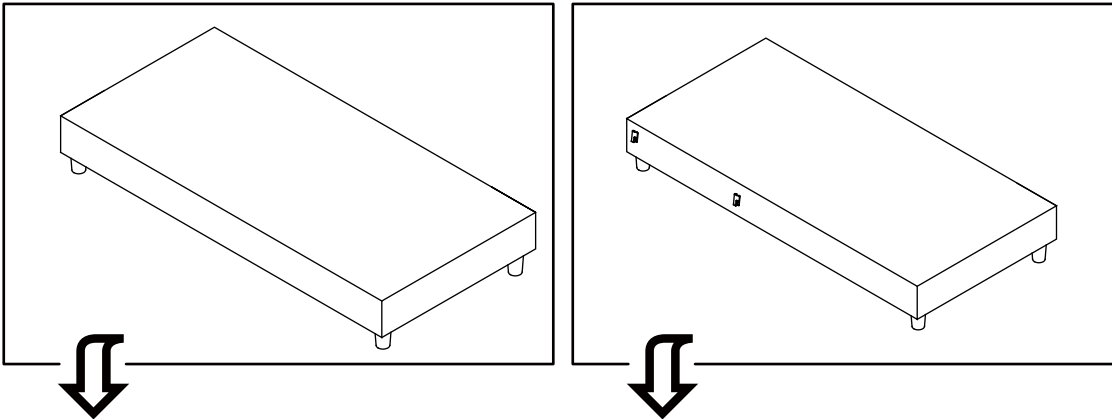
Place the gasket on top of the leg, and then screw the leg in.



Assembly Instructions

CAUTION : Inappropriate installation of screws will cause damages to the product !

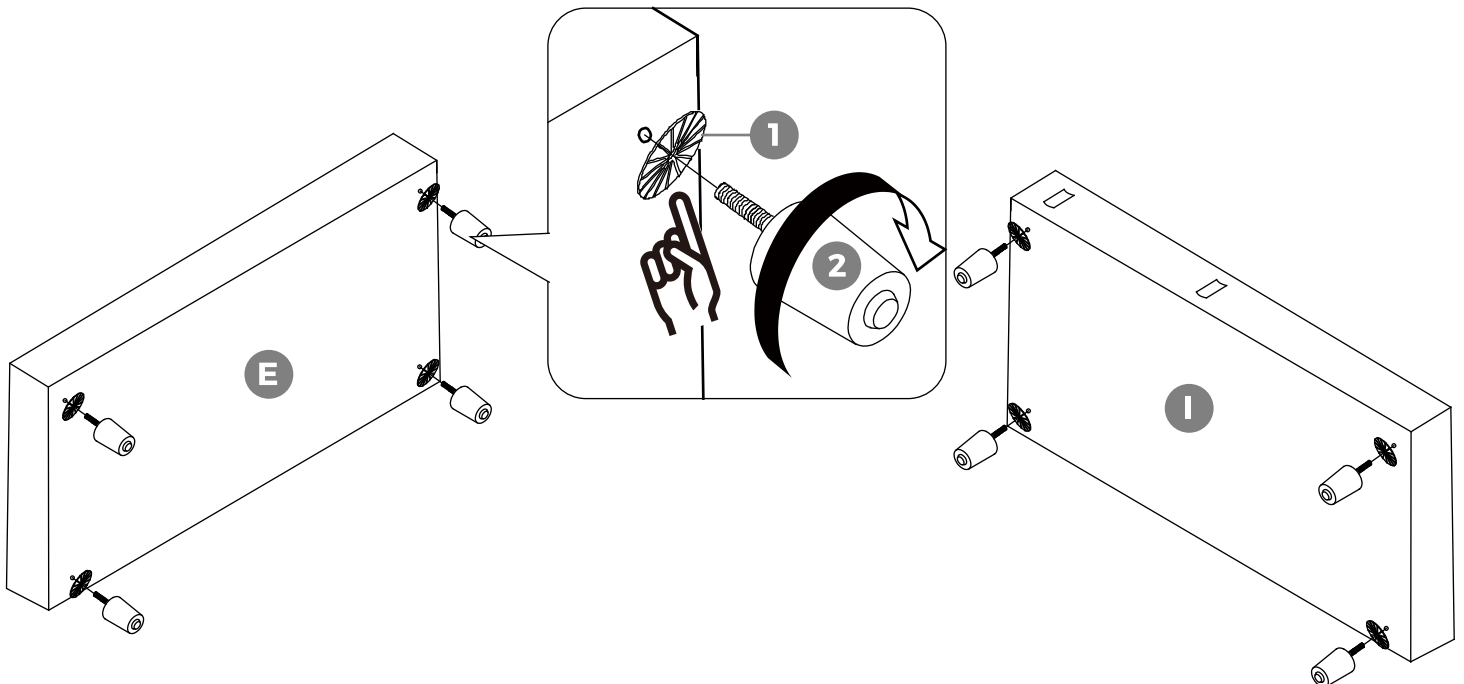
Step 2



Attach the legs(1) with plastic gasket to the base frame (E) & (I) and tighten the legs clockwise onto the base frame.

i Tips for proper legs installation:

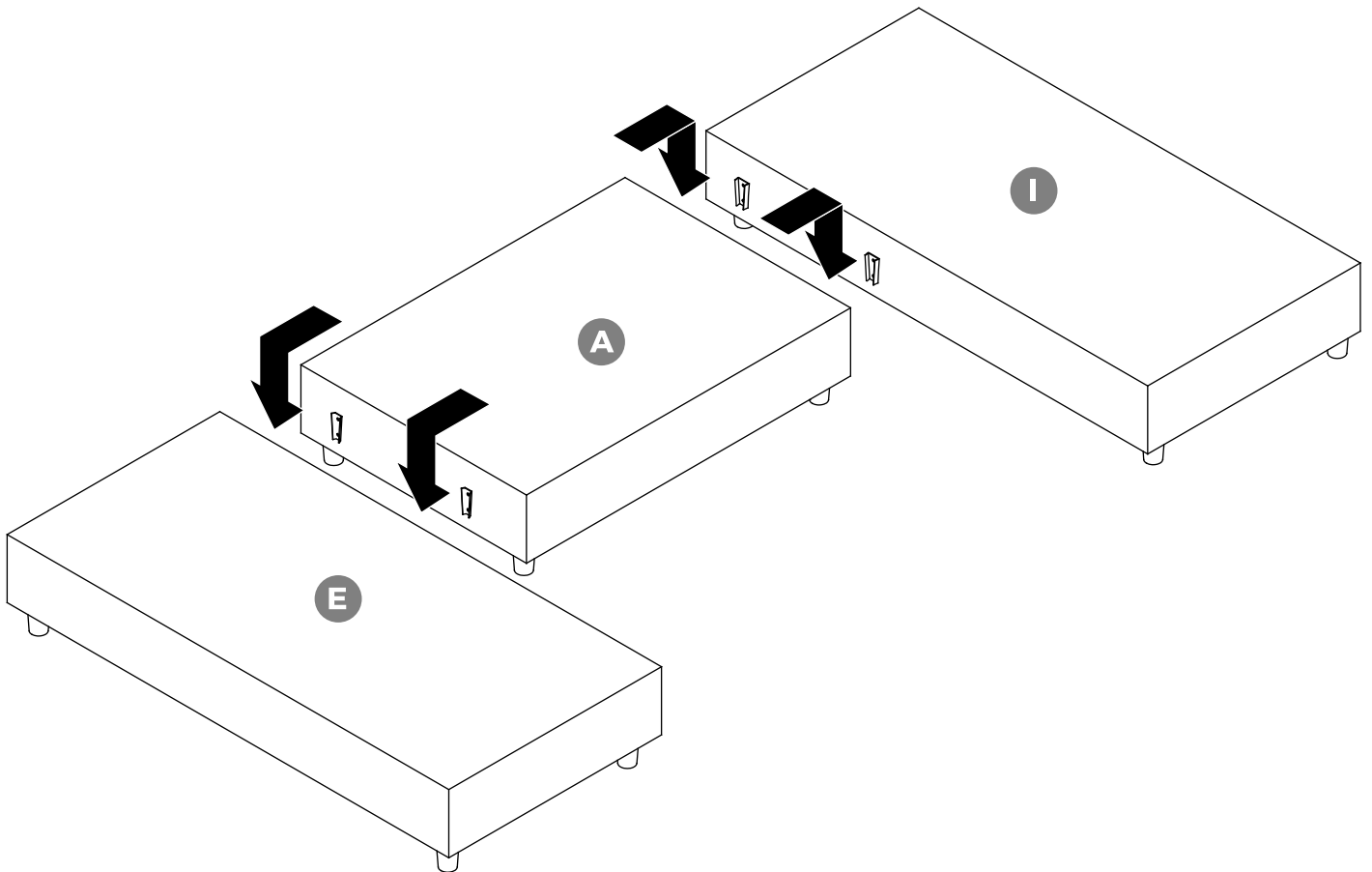
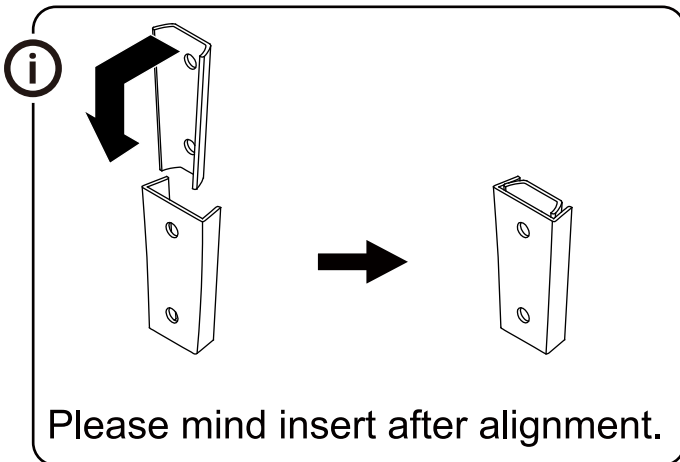
Place the gasket on top of the leg, and then screw the leg in.



Assembly Instructions

CAUTION : Inappropriate installation of screws will cause damages to the product !

Step 3

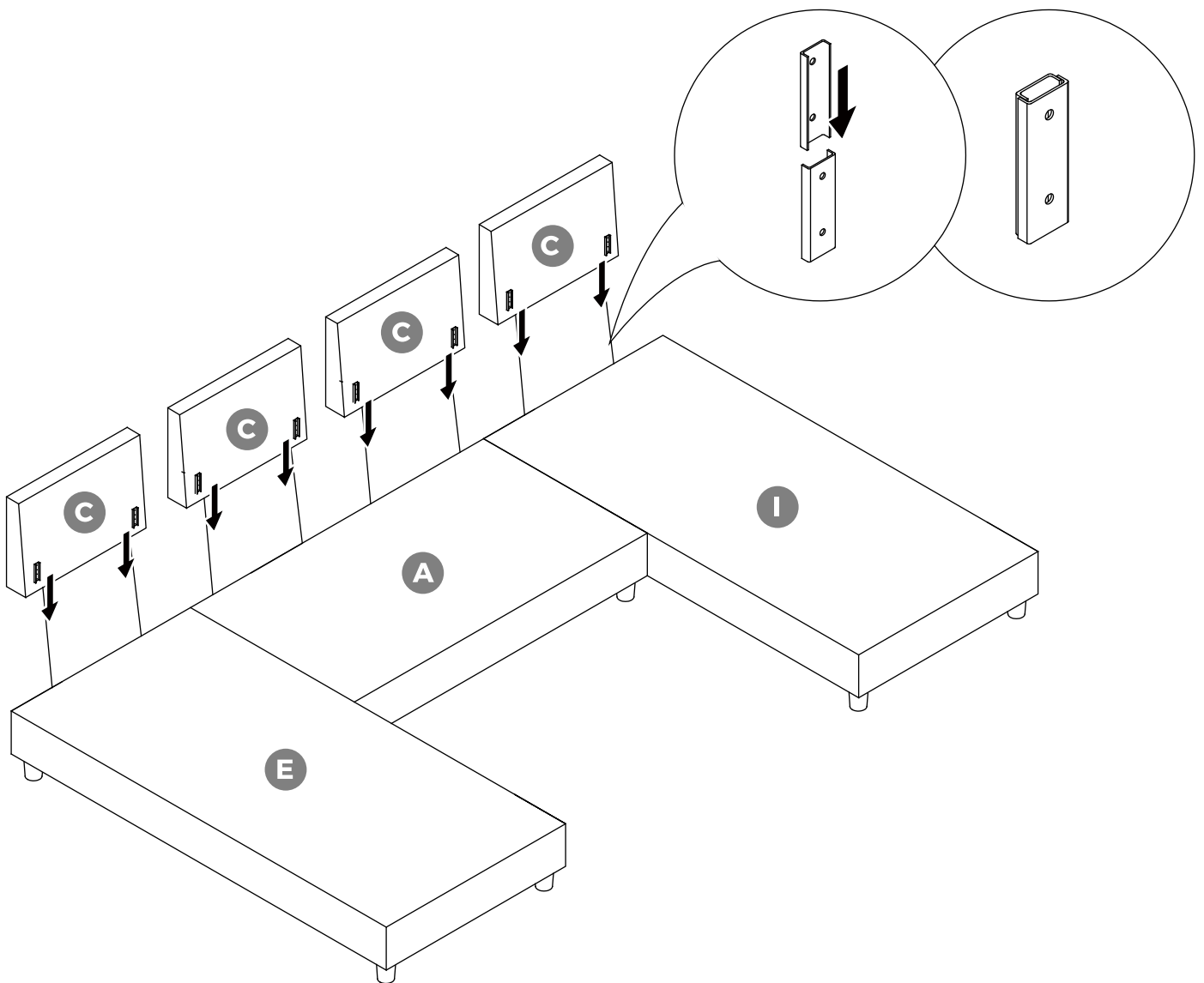


Assembly Instructions

CAUTION : Inappropriate installation of screws will cause damages to the product !

Step 4

Please pay attention to aligning the fasteners hardware.
And then insert the backrests into the base frame.

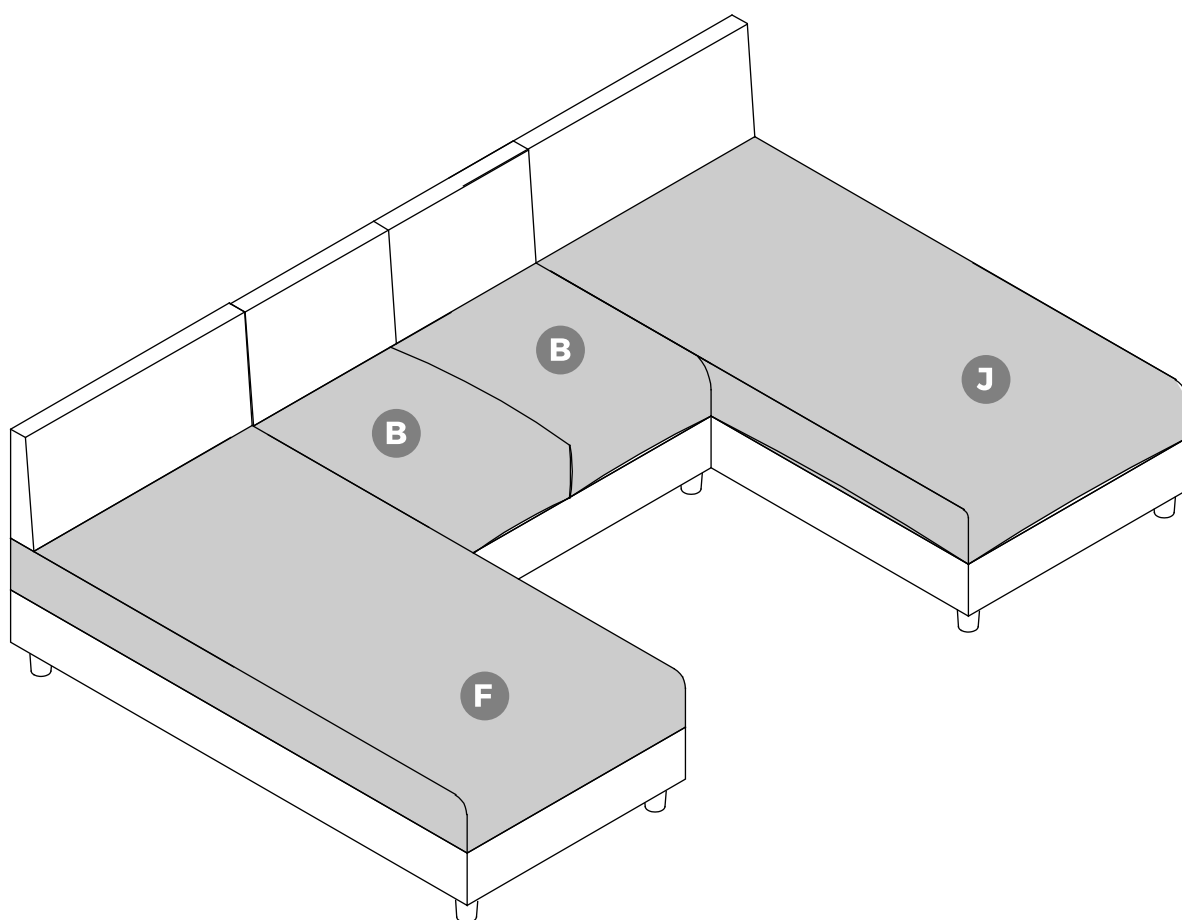


Assembly Instructions

CAUTION : Inappropriate installation of screws will cause damages to the product !

Step 5

Place the seat cushion in a suitable position on the seat frame.



Assembly Instructions

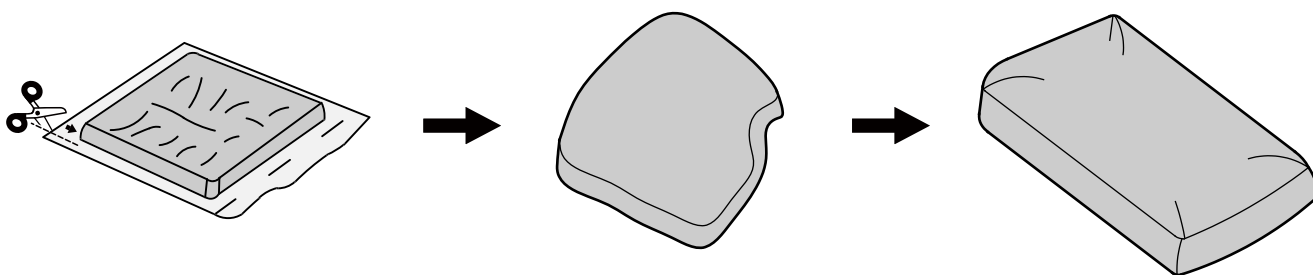
CAUTION : Inappropriate installation of screws will cause damages to the product !

Step 6



Tips Of Restoring Vacuum-Compressed Cushions :

1. **Unpackaging:** Remove the cushions from the vacuum-sealed packaging.
2. **Allow Expansion Time:** Let the cushions sit in a well-ventilated area for a few hours to expand naturally. It usually needs 48-72 hours to fully expand.
3. **Fluffing and Patting:** Gently fluff and pat the cushions to encourage air circulation and restore their shape.
4. **Massage and Knead:** Lightly massage and knead the cushions to redistribute the filling evenly.
5. **Apply Heat (Optional):** Using a hairdryer on a low-heat setting or placing a warm, damp cloth over the cushions can expedite the process and remove wrinkles.

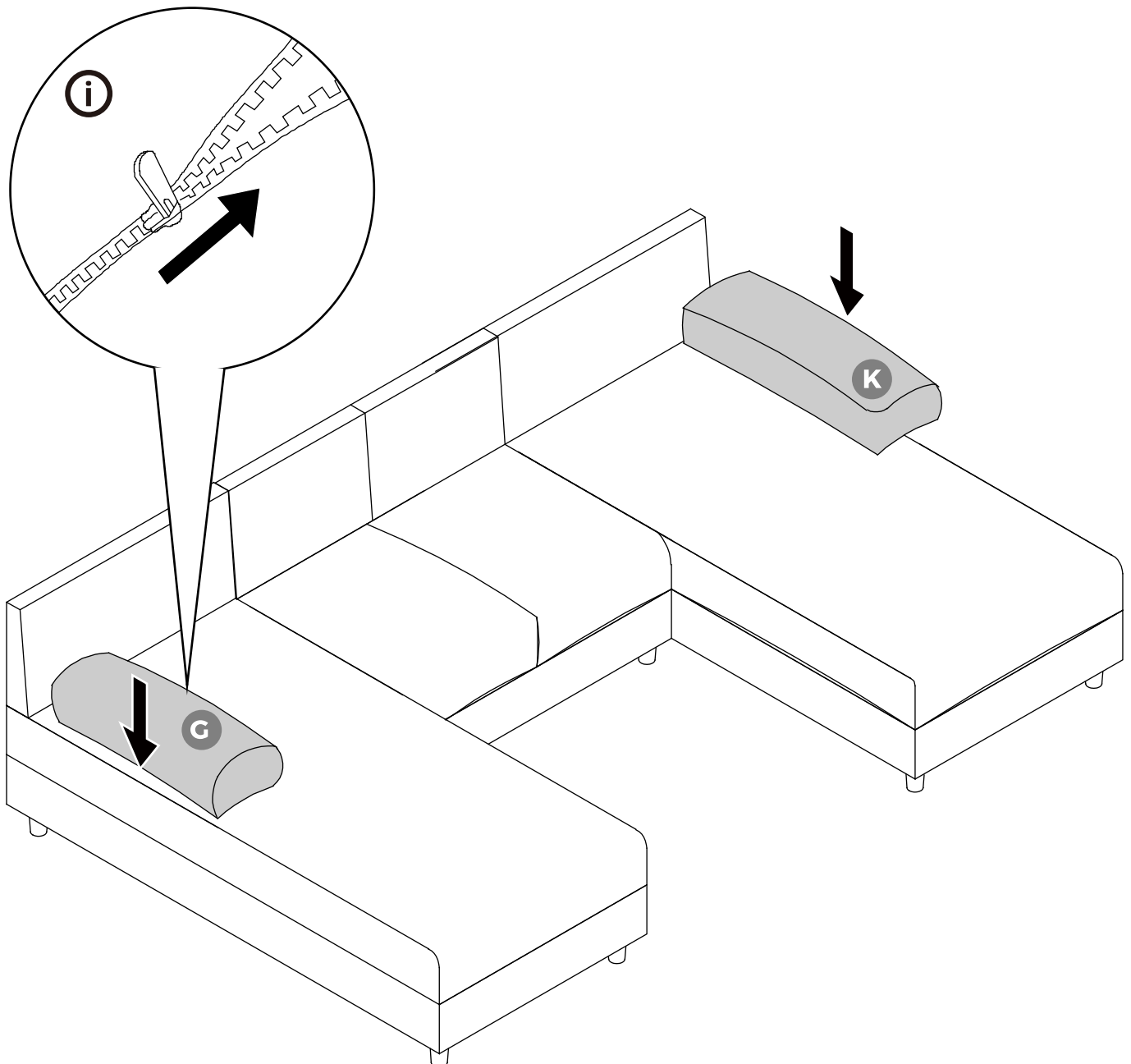


Assembly Instructions

CAUTION : Inappropriate installation of screws will cause damages to the product !

Step 7

Place the armrests in a suitable position on the sofa seat.



Assembly Instructions

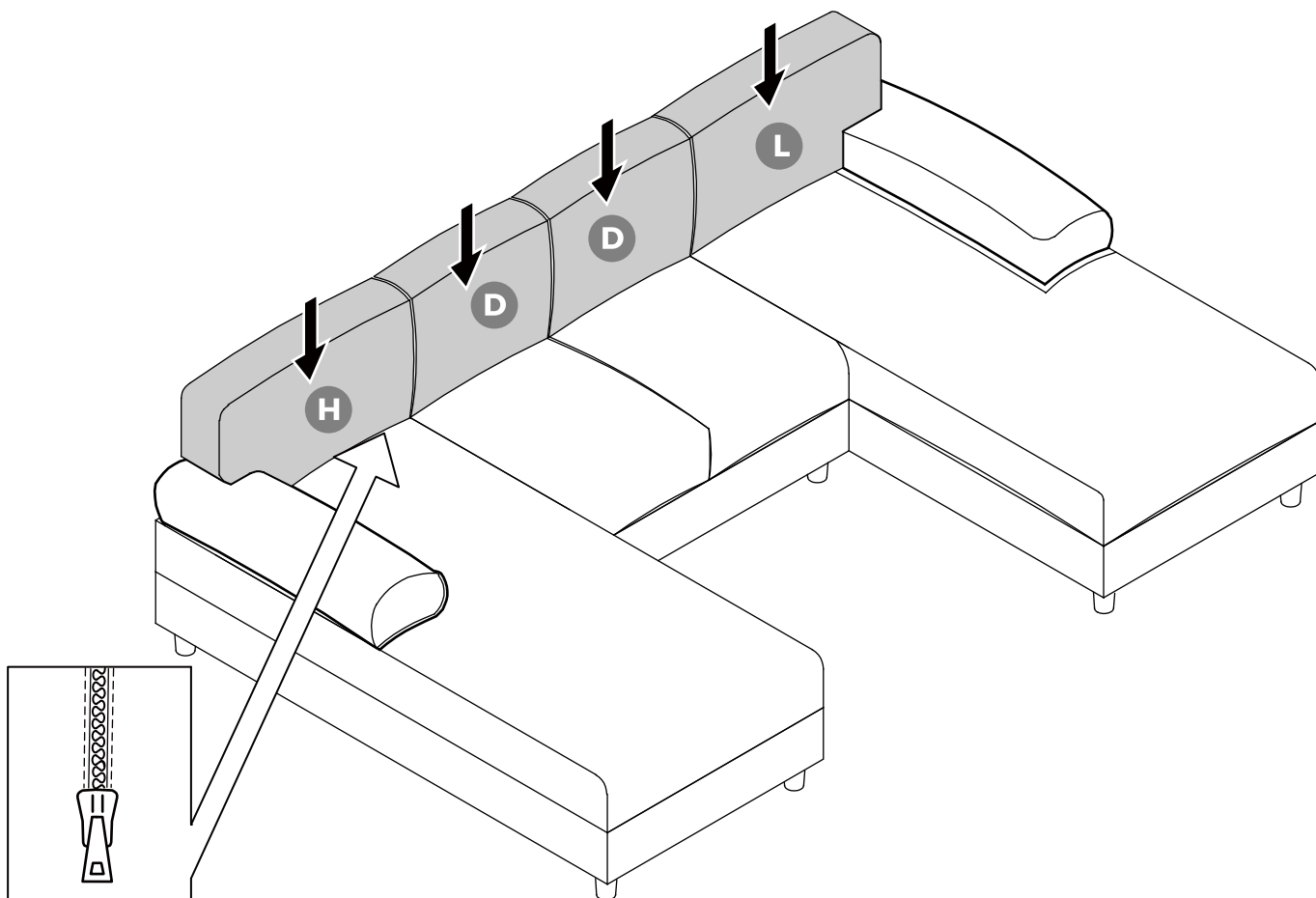
CAUTION : Inappropriate installation of screws will cause damages to the product !

Step 8

Place the back cushion in a suitable position on the sofa seat.

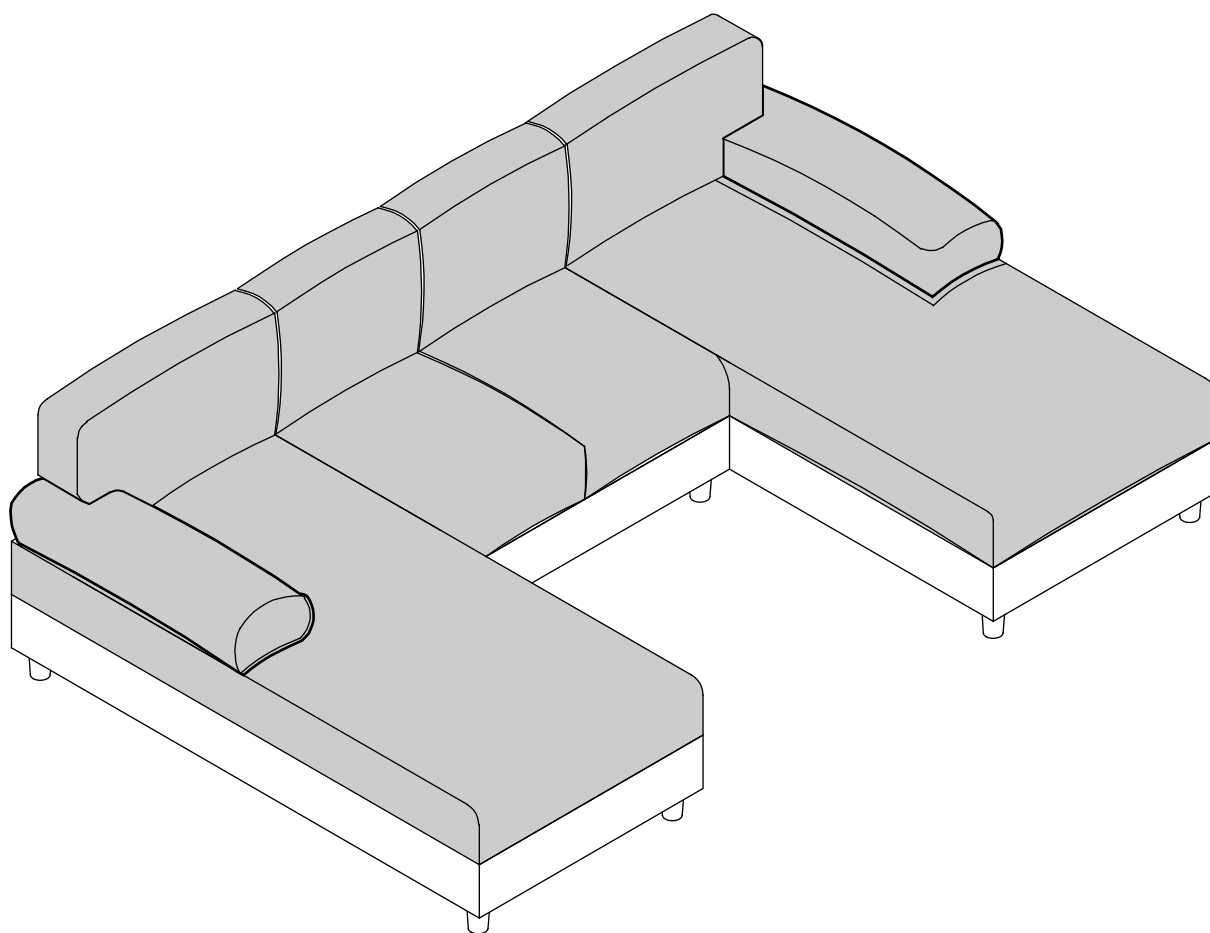
i Tips for proper back cushion installation:

The Velcro on the back cushion should be tightly attached to the backrest. Ensure that the back cushion does not slide.



Assembly Instructions

CAUTION : Inappropriate installation of screws will cause damages to the product !



Now, you have completed the installation of this sofa.