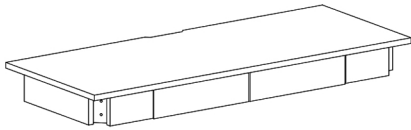


# ASSEMBLY INSTRUCTION



×1



×4



A×4



B×8



C×8



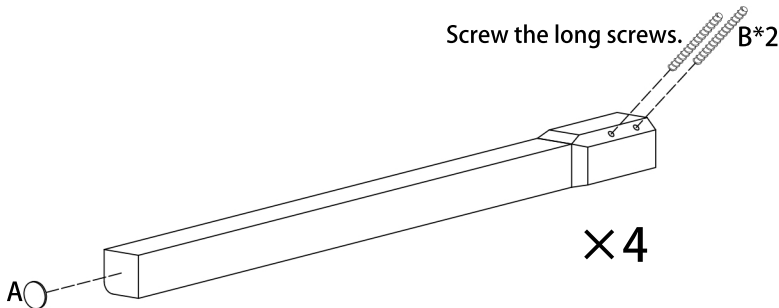
D×8



E×1

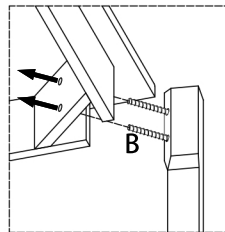
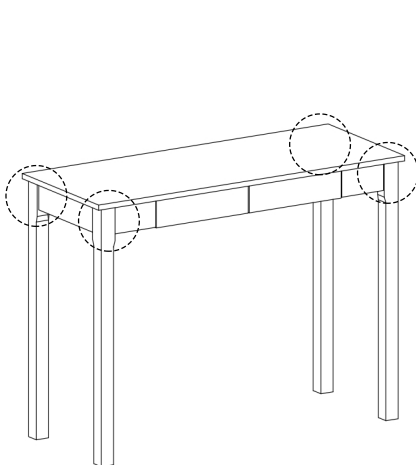
## Installation Steps

Screw the long screws. B\*2

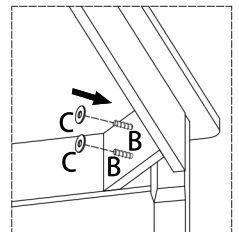


×4

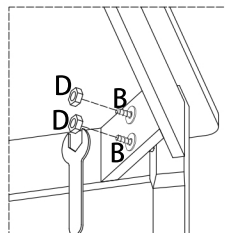
Glue on the foot mats.



Put the long screws through the pre-drilled holes.



Place part C into part B.



Tighten the nut with a wrench.