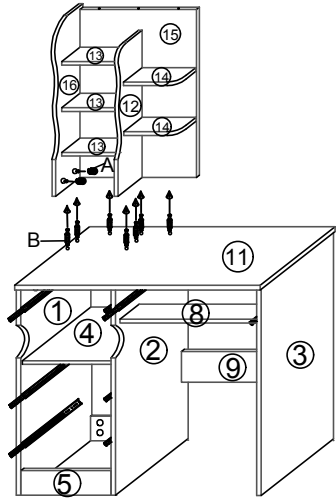
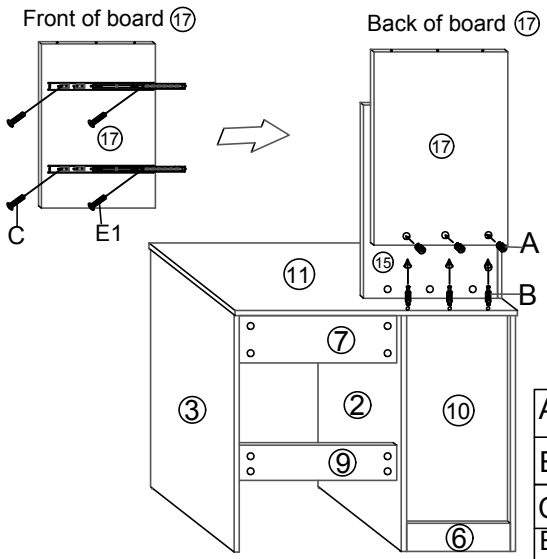


9



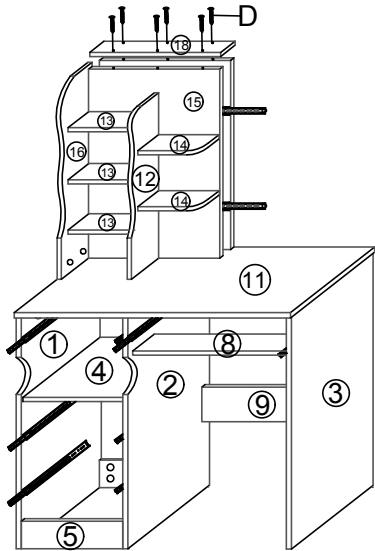
A		7pcs
B		7pcs

10



A		3pcs
B		3pcs
C		4pcs
Ea1		2pcs

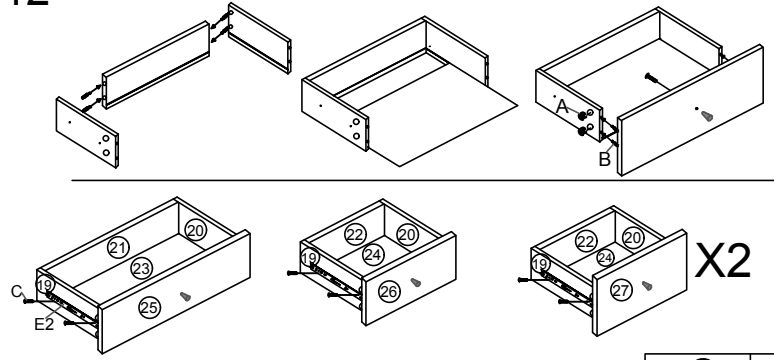
11



D		6pcs
---	--	------

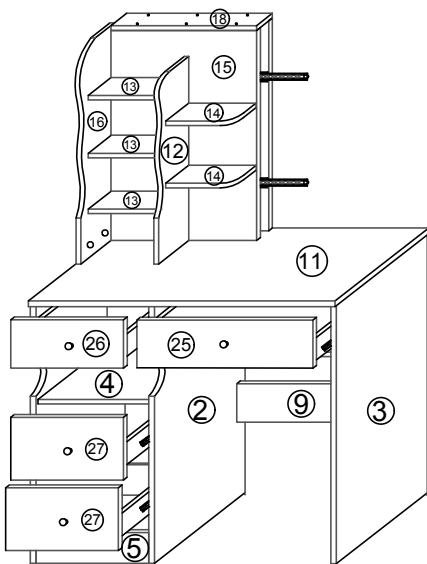
12

Installing steps of drawer

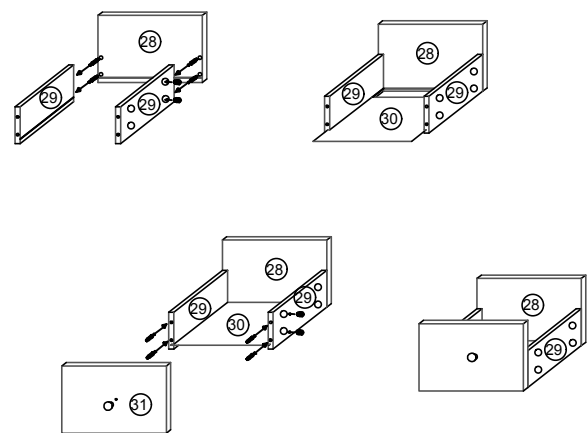


A		32pcs
B		32pcs
C		16pcs
E2		8pcs
F		4sets

13

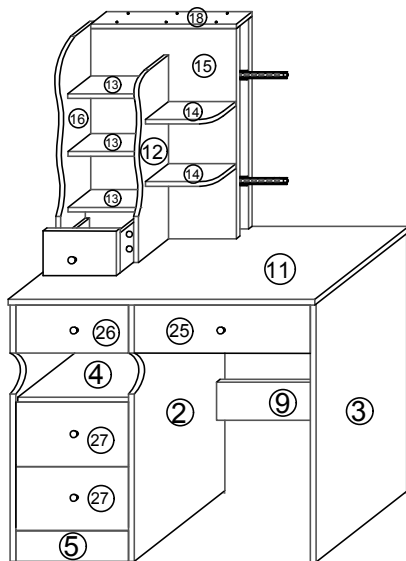


14



A		8pcs
B		8pcs
F		1set

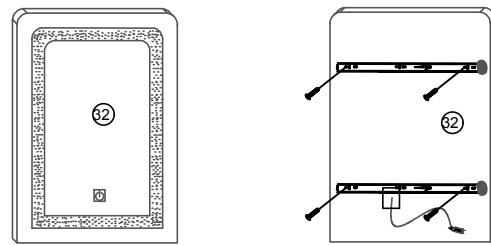
15



16

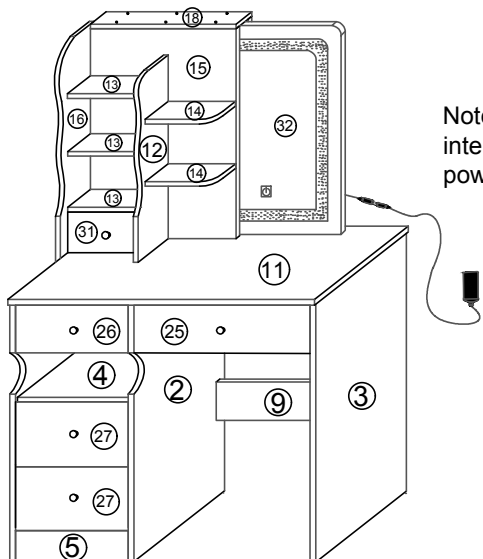
Front of mirror plate

Back of mirror plate



C		4pcs
Ea2		2pcs

17



Note: Connecting the DC interface cable and the power cord K.

G		1pc
---	--	-----

18

