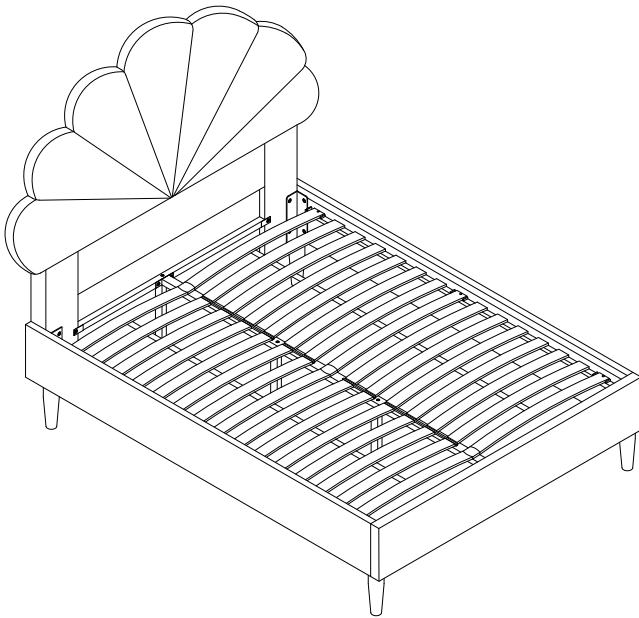


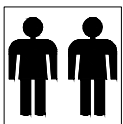
ASSEMBLY INSTRUCTION



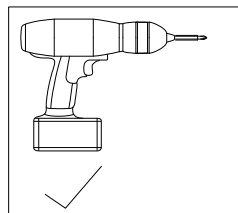
Please **TEAR OFF** this shrink film from side!
DO NOT USE CUTTER!

IMPORTANT NOTE

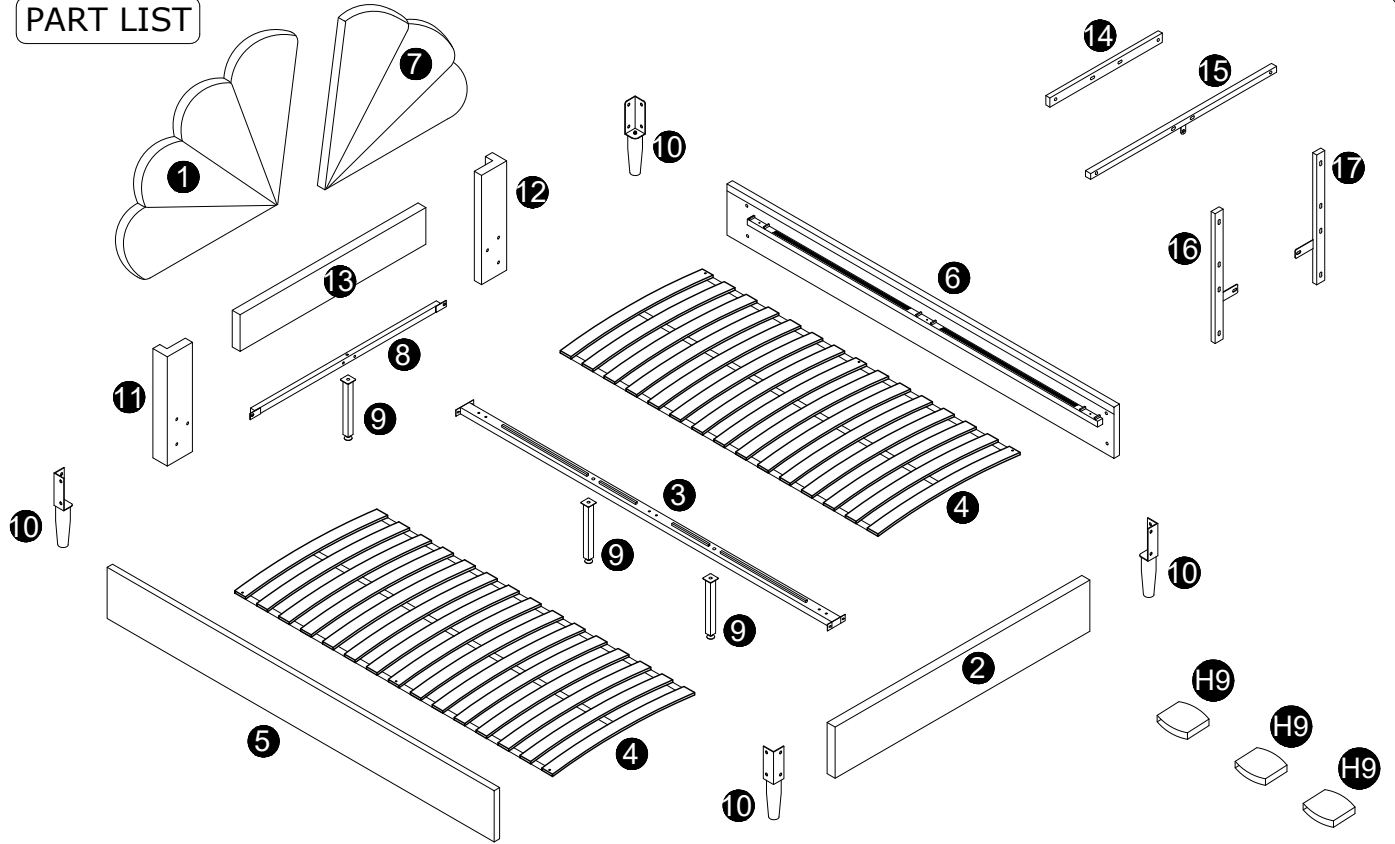
1. For the protection of your furniture, place all parts on a clean and smooth surface to prevent any damage.
2. Keep fittings out of children's reach and keep children well away from construction area.
3. When moving your assembled bed, it is best to lift the bed and never to drag it.
4. Do not use this product if parts are missing, damaged or worn.
5. This product should only be used on firm, level ground.
6. Please periodically check all fittings and re-tighten as necessary.
7. Do not use the bed unless all bolts and screws are firmly secured.
8. For further assistance, please provide a screenshot of your order and contact us



Minimum two
person assembly



PART LIST



Components of Carton A

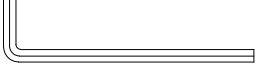
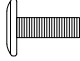




<p>1 x 1pc</p>	<p>4 x 2pcs</p>	<p>7 x 1pc</p>	<p>9 x 3pcs (255mm)</p>	<p>10 x 4pcs</p>
<p>11 x 1pc</p>	<p>12 x 1pc</p>	<p>16 x 1pc</p>	<p>17 x 1pc</p>	<p>H9 x 3pcs</p>

Components of Carton B

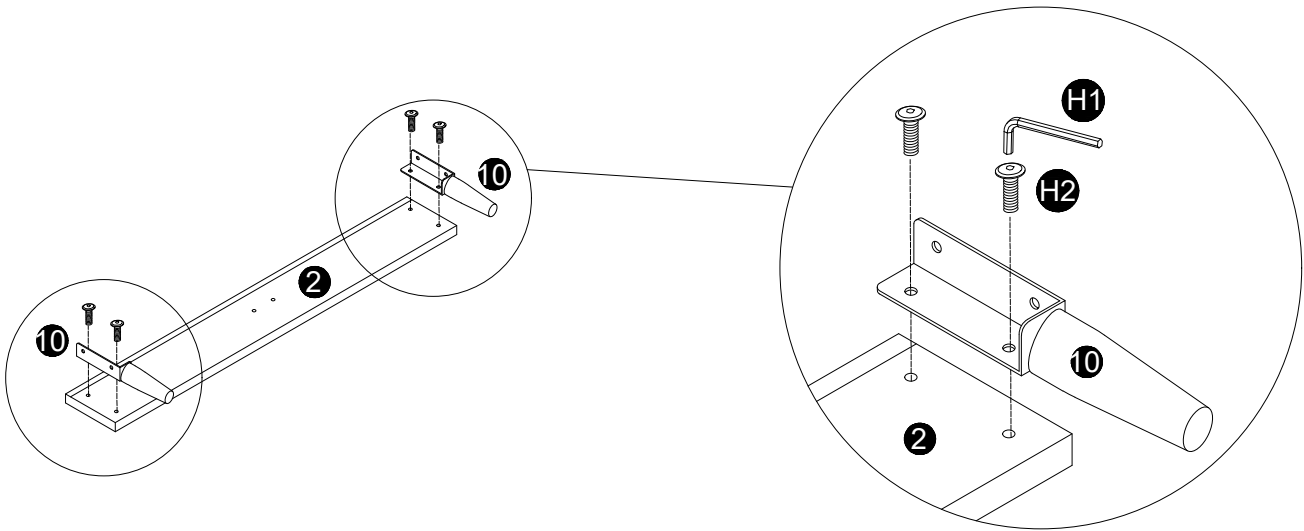
<p>2 x 1pc</p>	<p>3 x 1pc</p>	<p>5 x 1pc</p>	<p>6 x 1pc</p>	<p>8 x 1pc</p>
<p>13 x 1pc</p>	<p>14 x 1pc (25x460mm)</p>	<p>15 x 1pc</p>		

Please ensure to thoroughly inspect the small inner cardboard box containing the hardware, which are tied with a red string, before disposing of the box.

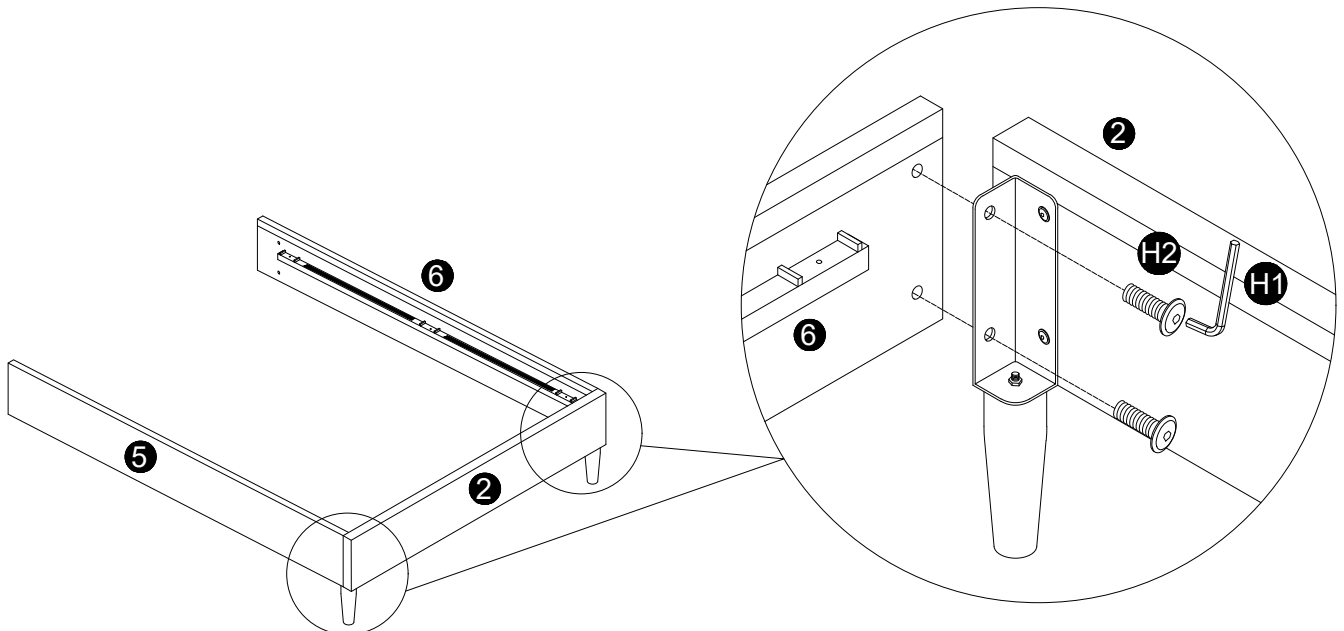
HARDWARE LIST

 H1 M5 x 1pc	 H2 M8x25mm x 25pcs	 H3 M8x45mm x 19pcs	 H5 M8 x 16pcs
 H6 M8x22mm x 20pcs	 H8 x 6pcs		

1

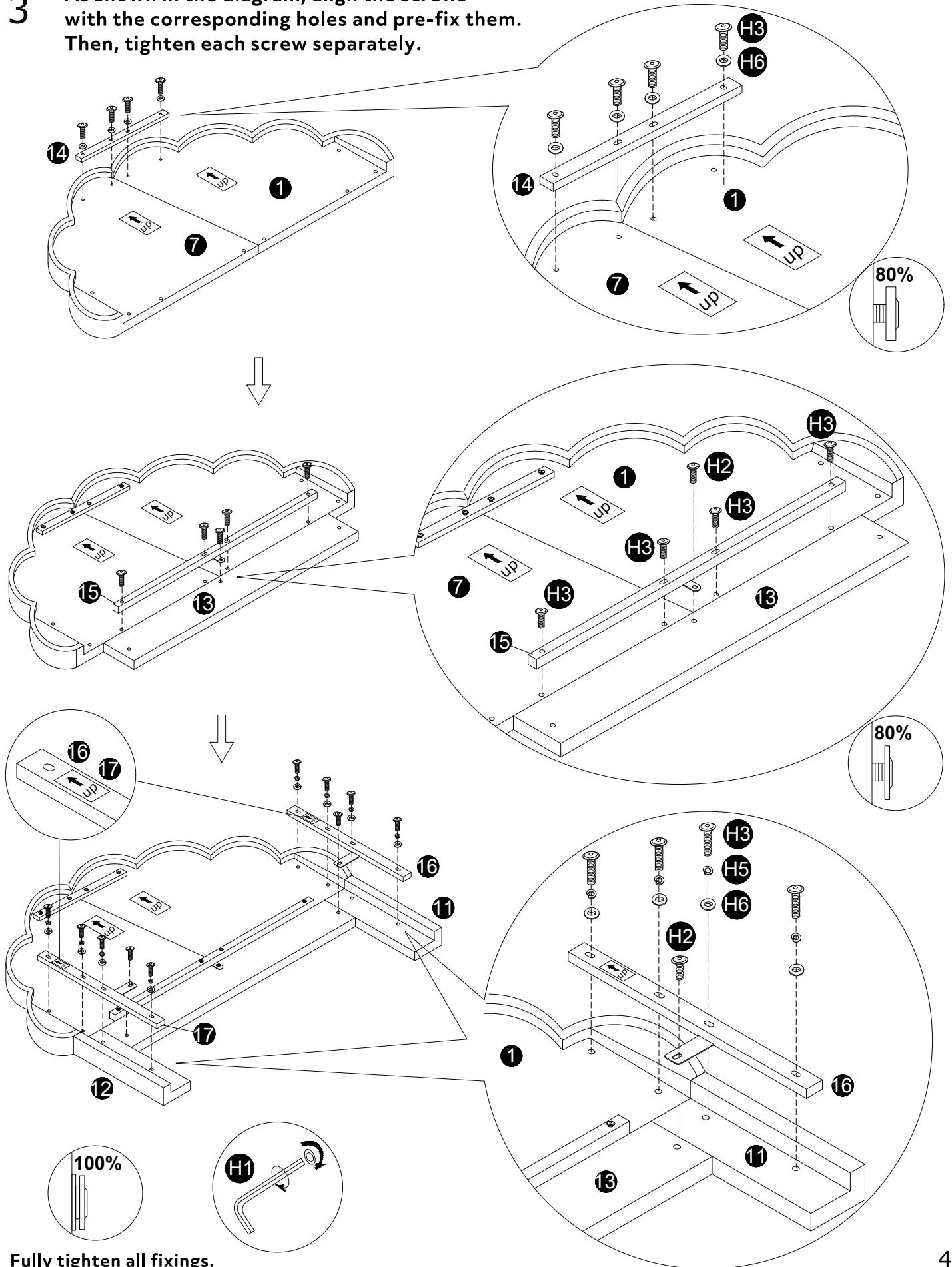


2



3

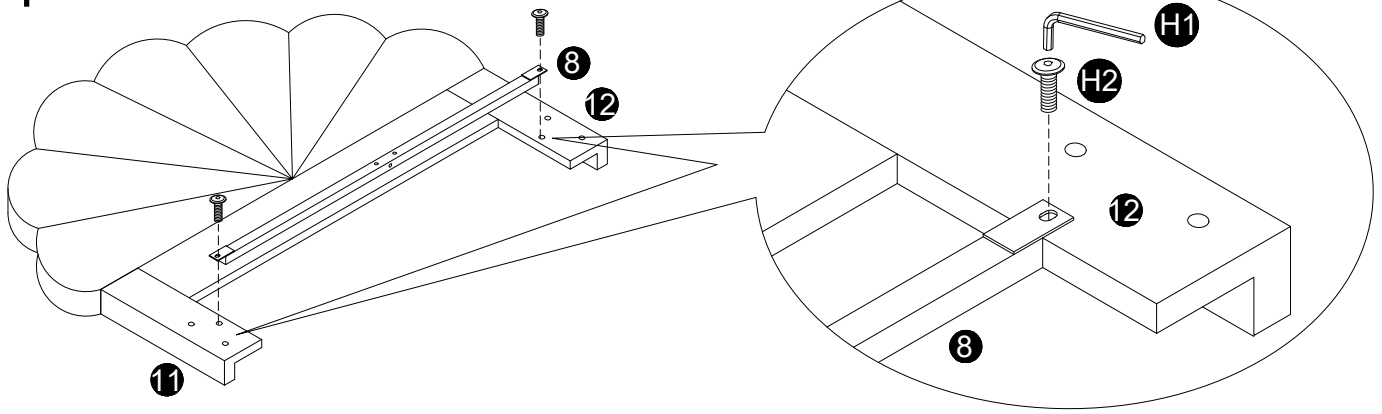
As shown in the diagram, align the screws with the corresponding holes and pre-fix them. Then, tighten each screw separately.



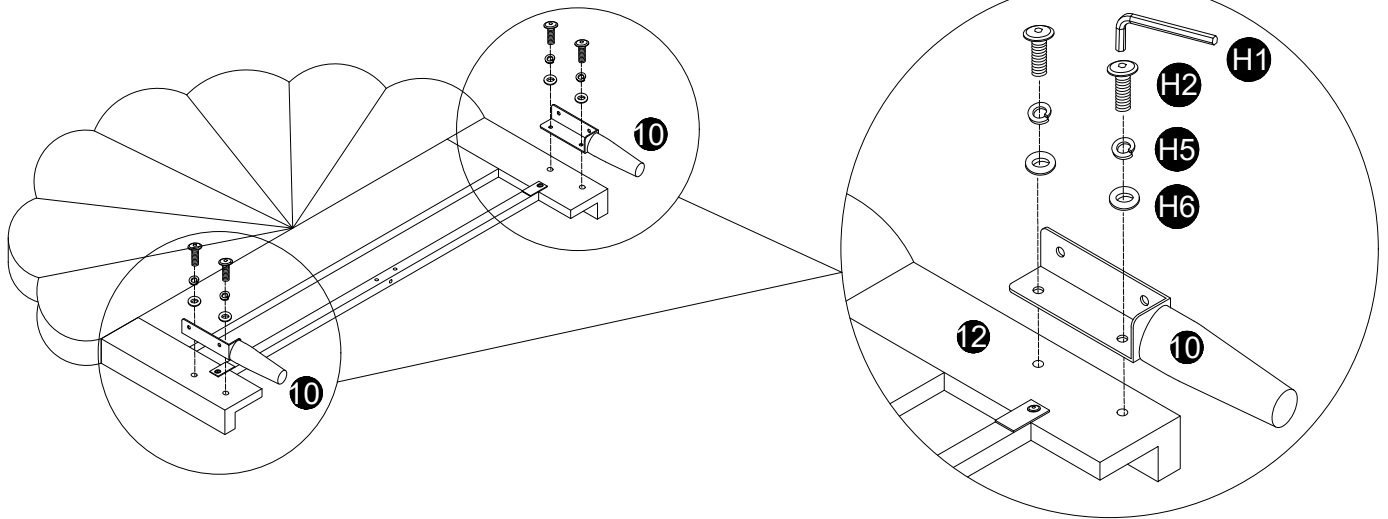
Fully tighten all fixings.

4

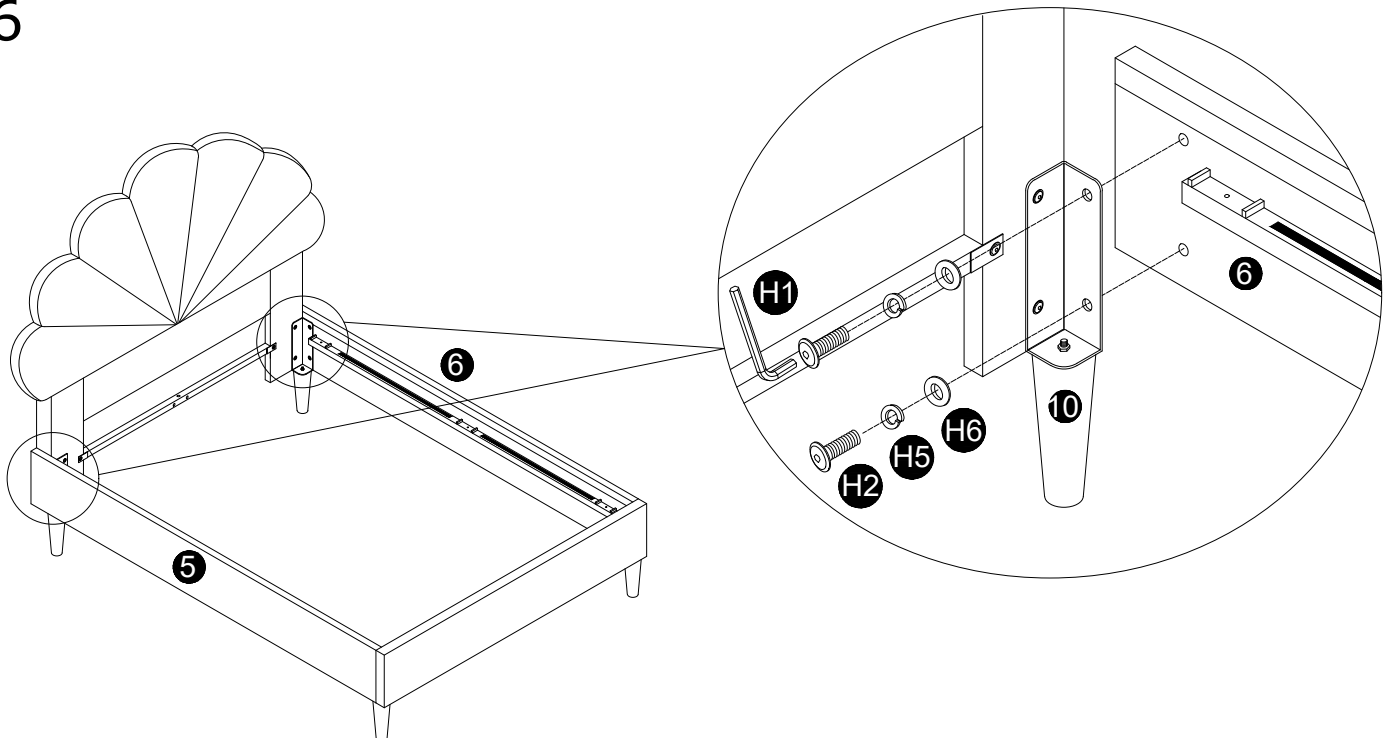
4



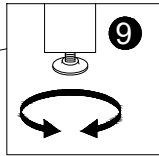
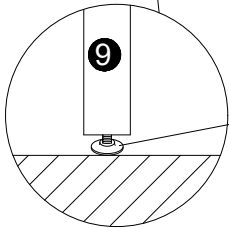
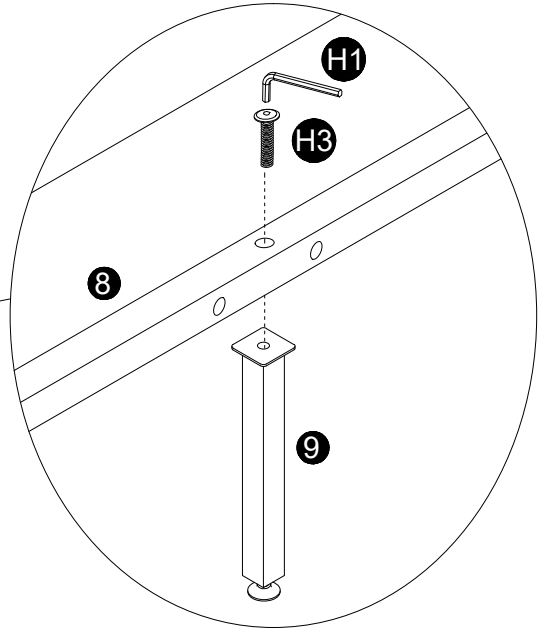
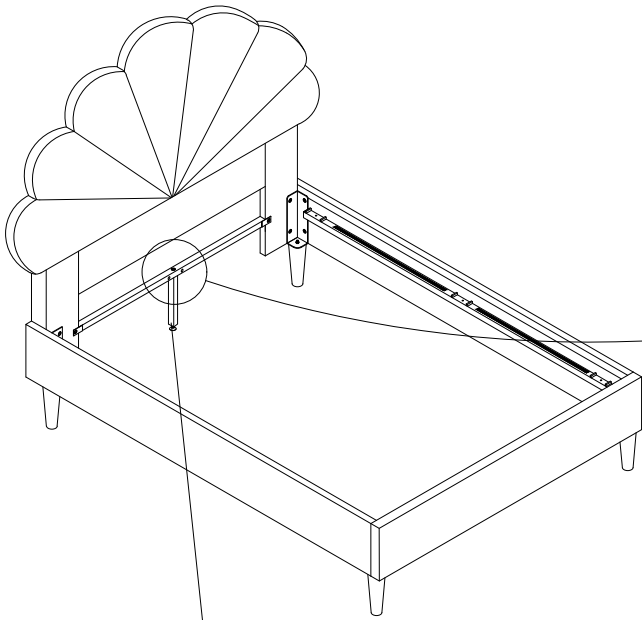
5



6

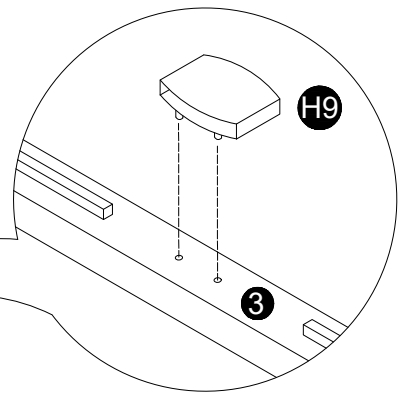
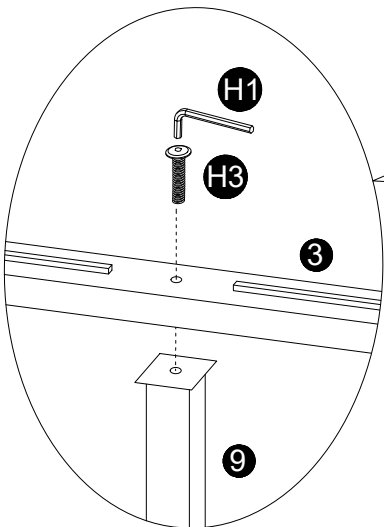
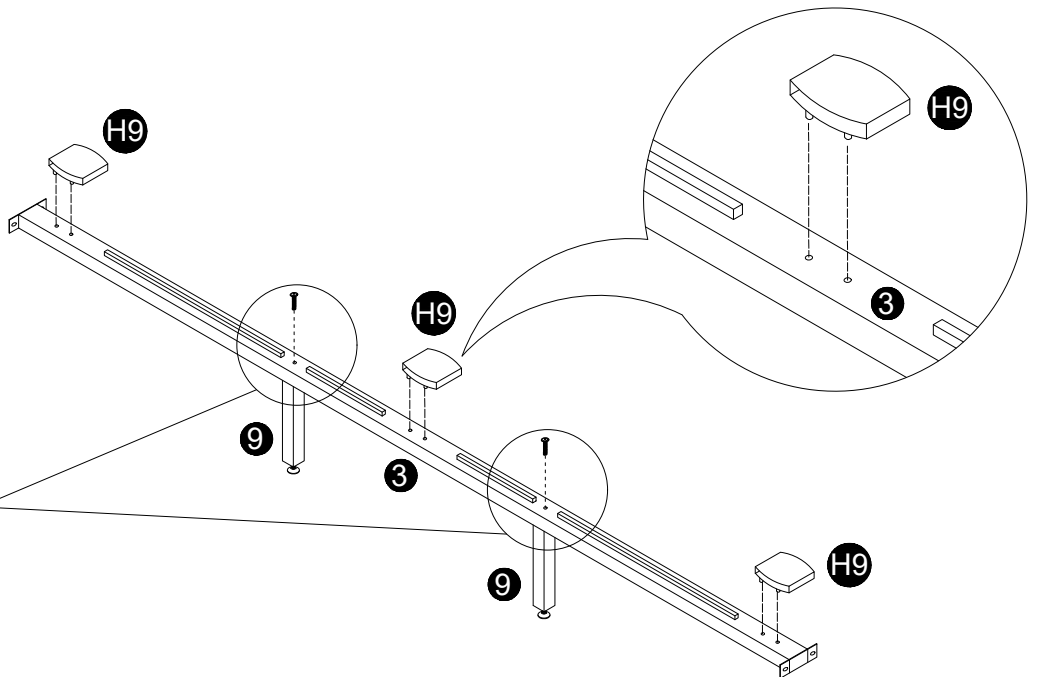


7

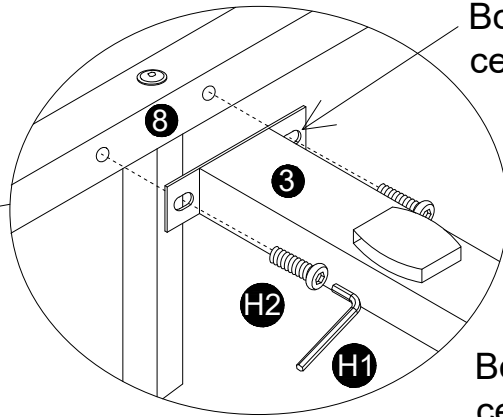
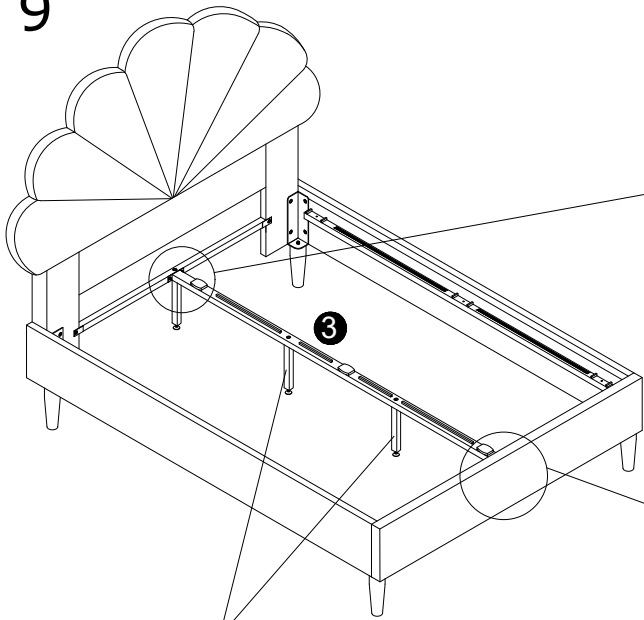


Level with the ground.

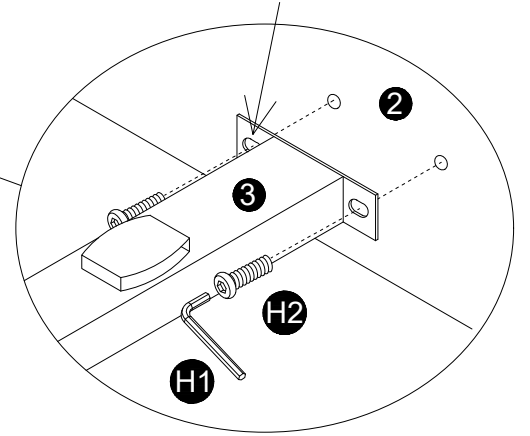
8



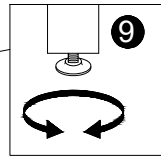
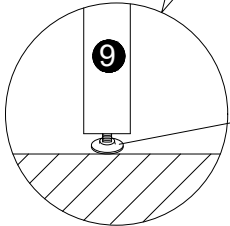
9



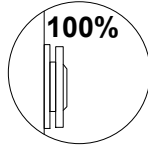
Bolts should be in center of long holes



Bolts should be in center of long holes

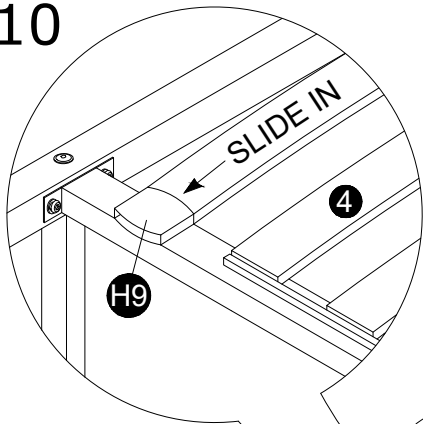


Level with the ground.



Fully tighten all fixings.

10



SLIDE IN

