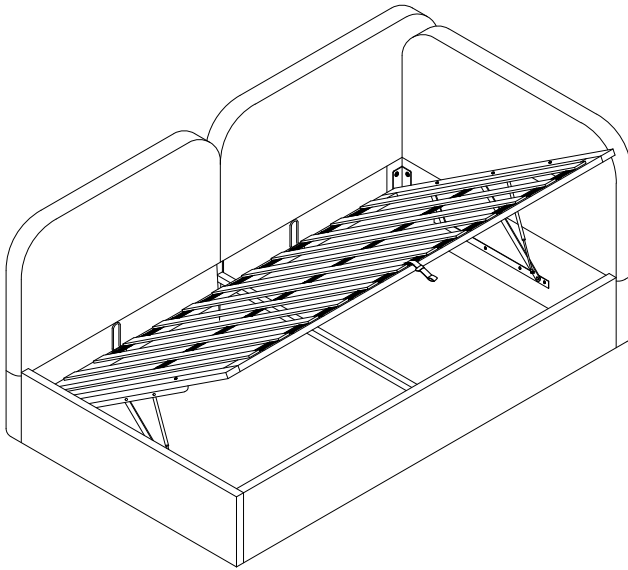


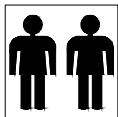
# ASSEMBLY INSTRUCTION



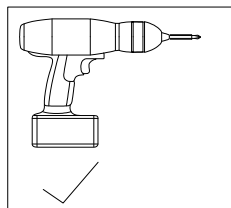
Please **TEAR OFF** this shrink film from side! **DO NOT USE CUTTER!**

## IMPORTANT NOTE

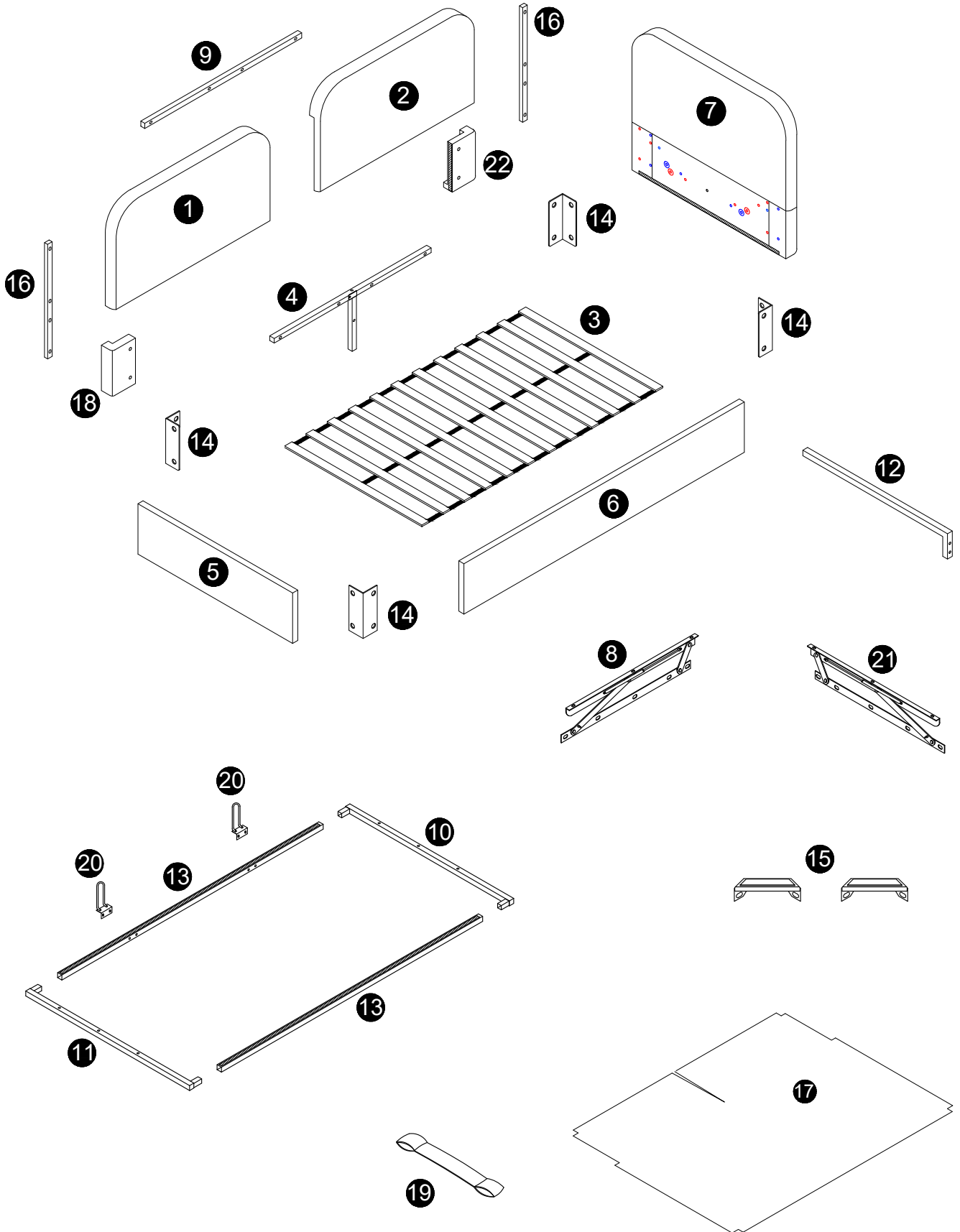
- 1. The product is shipped in two packages. Please check the number of packages received before assembly. If you are missing one package, receive a duplicate package, or have any assembly or after-sales issues, please contact us.**
2. For the protection of your furniture, place all parts on a clean and smooth surface to prevent any damage.
3. Keep fittings out of children's reach and keep children well away from construction area.
4. When moving your assembled bed, it is best to lift the bed and never to drag it.
5. Do not use this product if parts are missing, damaged or worn.
6. This product should only be used on firm, level ground.
7. Please periodically check all fittings and re-tighten as necessary.
8. Do not use the bed unless all bolts and screws are firmly secured.
9. For further assistance, please provide a screenshot of your order and contact us.



Minimum two person assembly



PART LIST



### Components of Carton A

<b>1</b> x 1pc 	<b>2</b> x 1pc 	<b>4</b> x 1pc 	<b>7</b> x 1pc 
<b>9</b> x 1pc 	<b>10</b> x 1pc 	<b>11</b> x 1pc 	<b>12</b> x 1pc 
<b>16</b> x 2pcs 	<b>17</b> x 1pc 		

### Components of Carton B

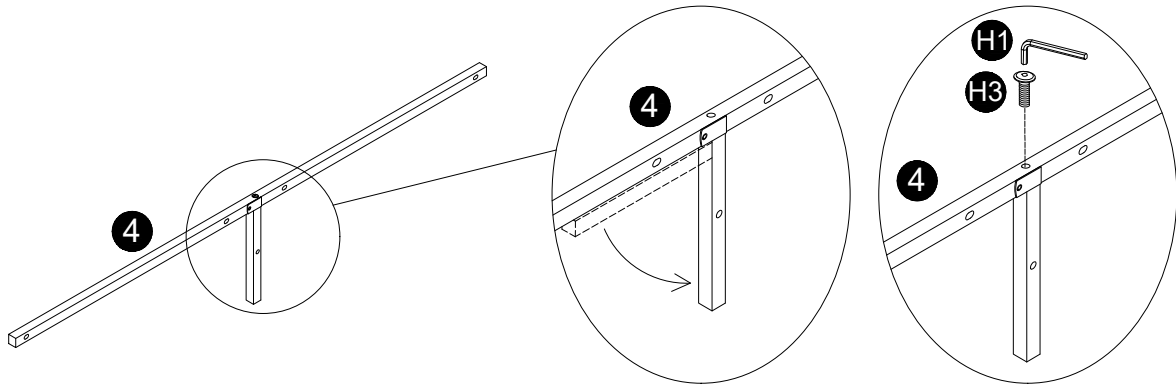
<b>3</b> x 1pc 	<b>5</b> x 1pc 	<b>6</b> x 1pc 	<b>8</b> x 1pc 
<b>13</b> x 2pcs 	<b>14</b> x 4pcs 	<b>15</b> x 2pcs 	<b>18</b> x 1pc 
<b>20</b> x 2pcs 	<b>21</b> x 1pc 	<b>22</b> x 1pc 	<b>19</b> x 1pc 

#### HARDWARE LIST

<b>H1</b> M5 x 1pc	<b>H2</b> M8x20mm x 16pcs	<b>H3</b> M8x45mm x 26pcs	<b>H5</b> M8 x 16pcs
<b>H6</b> M8x22mm x 16pcs	<b>H7</b> M8 x 6pcs	<b>H8</b> M14 x 1pc	<b>H9</b> M8x30mm x 26pcs

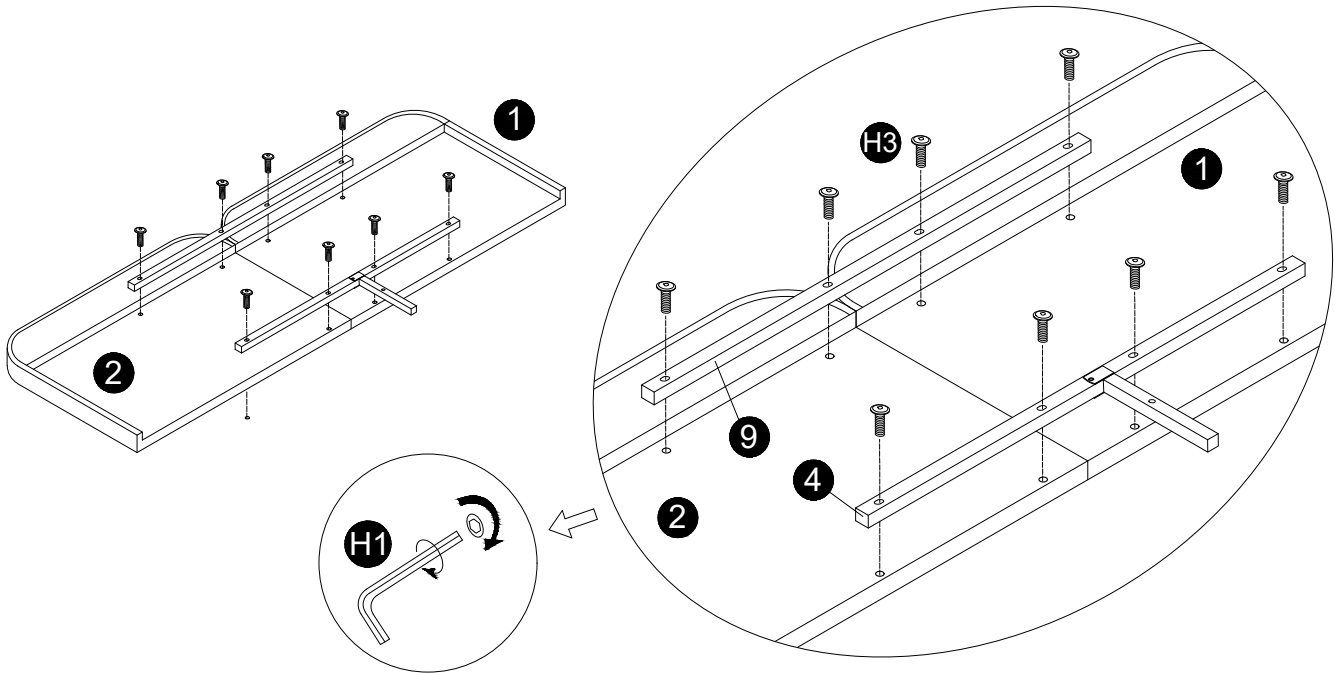
**Please ensure to thoroughly inspect the small inner cardboard box containing the hardware, which are tied with a red string, before disposing of the box.**

1



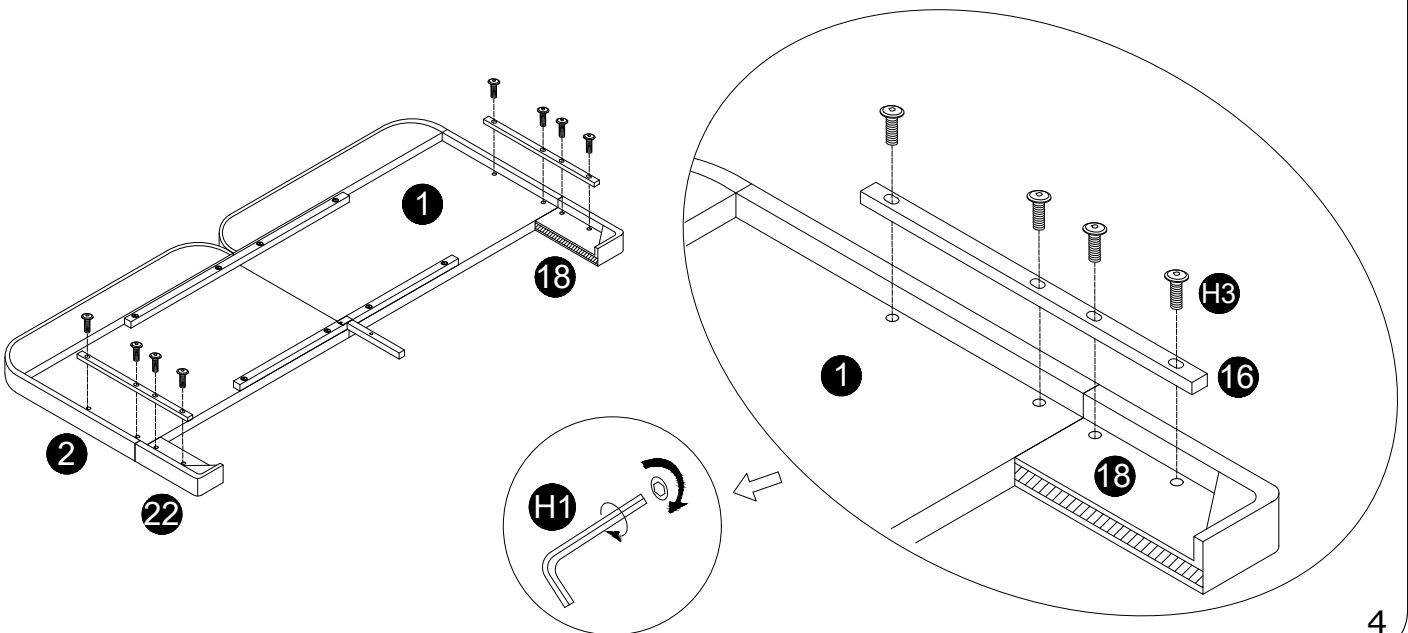
2

As shown in the diagram, align the screws with the corresponding holes and pre-fix them. Then, tighten each screw separately



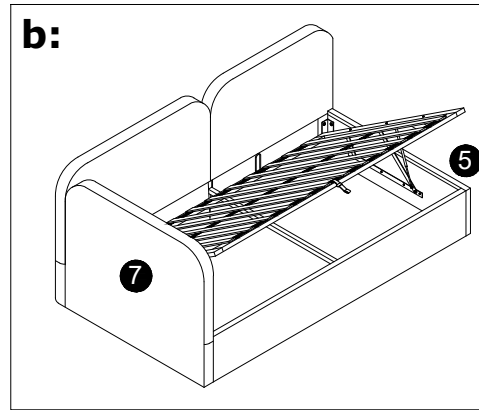
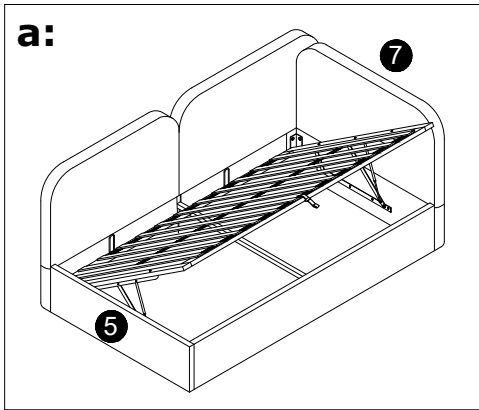
3

As shown in the diagram, align the screws with the corresponding holes and pre-fix them. Then, tighten each screw separately



4

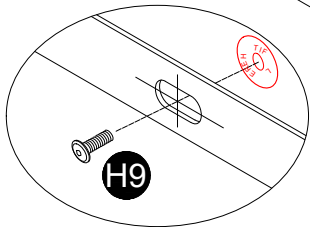
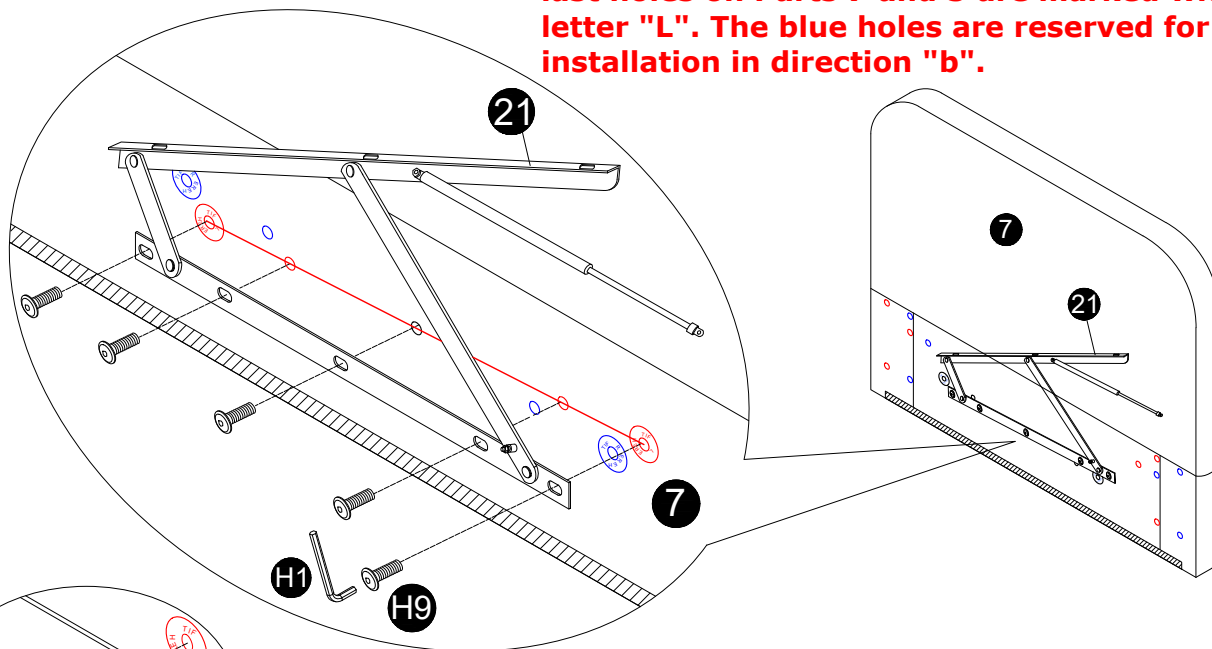
Please select the direction you want to install (a & b)



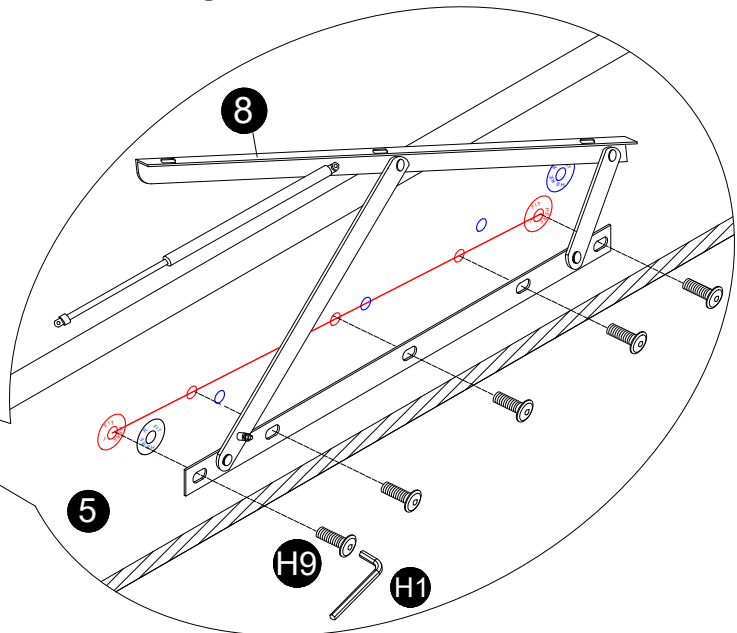
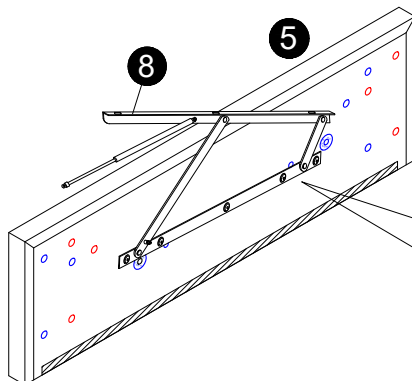
OR

**(a) Installation Method**

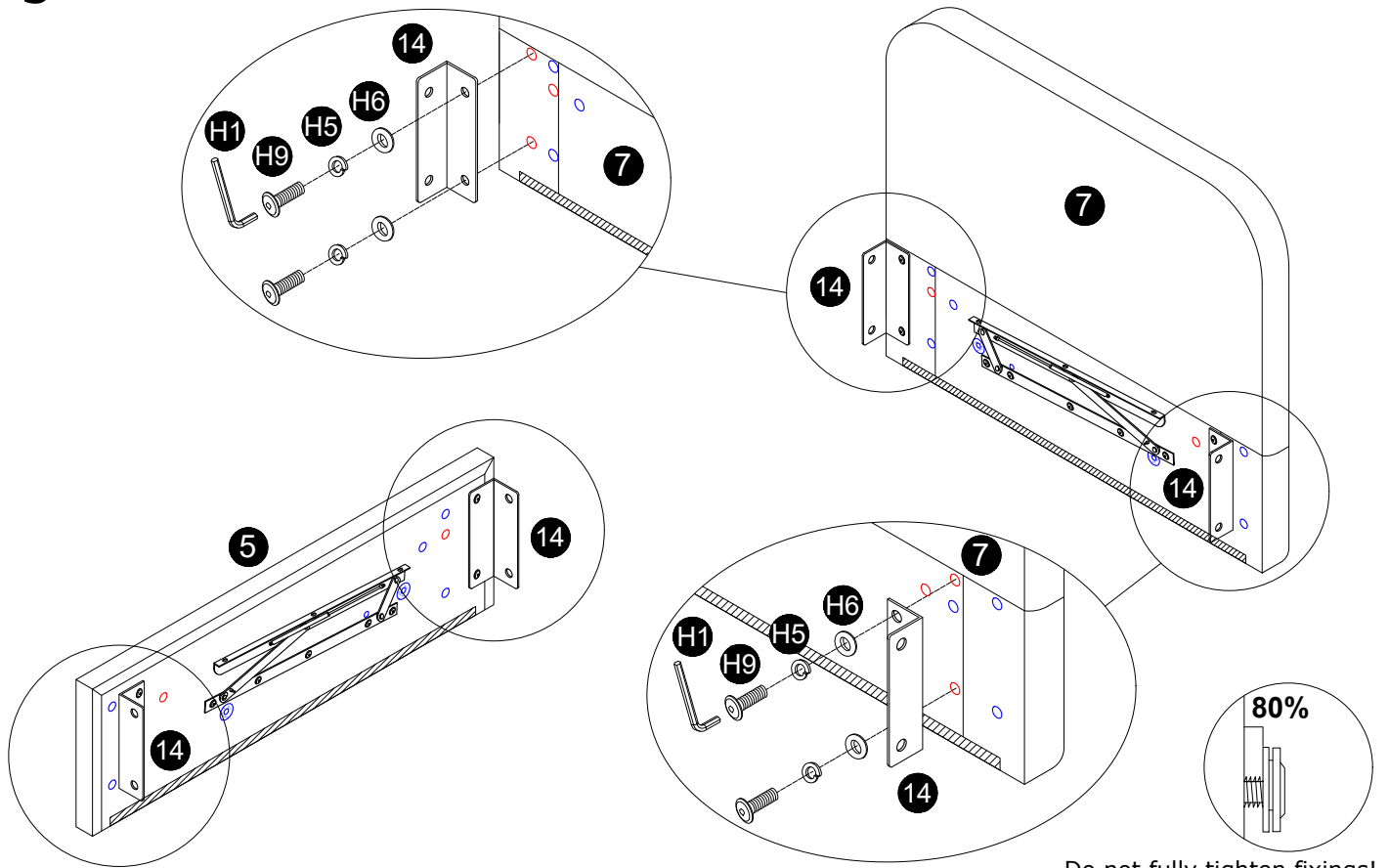
Align Parts 21 and 8 with the red holes indicated in the diagram, and secure them. The first and last holes on Parts 7 and 5 are marked with the letter "L". The blue holes are reserved for installation in direction "b".



Bolts should be in centre of long holes

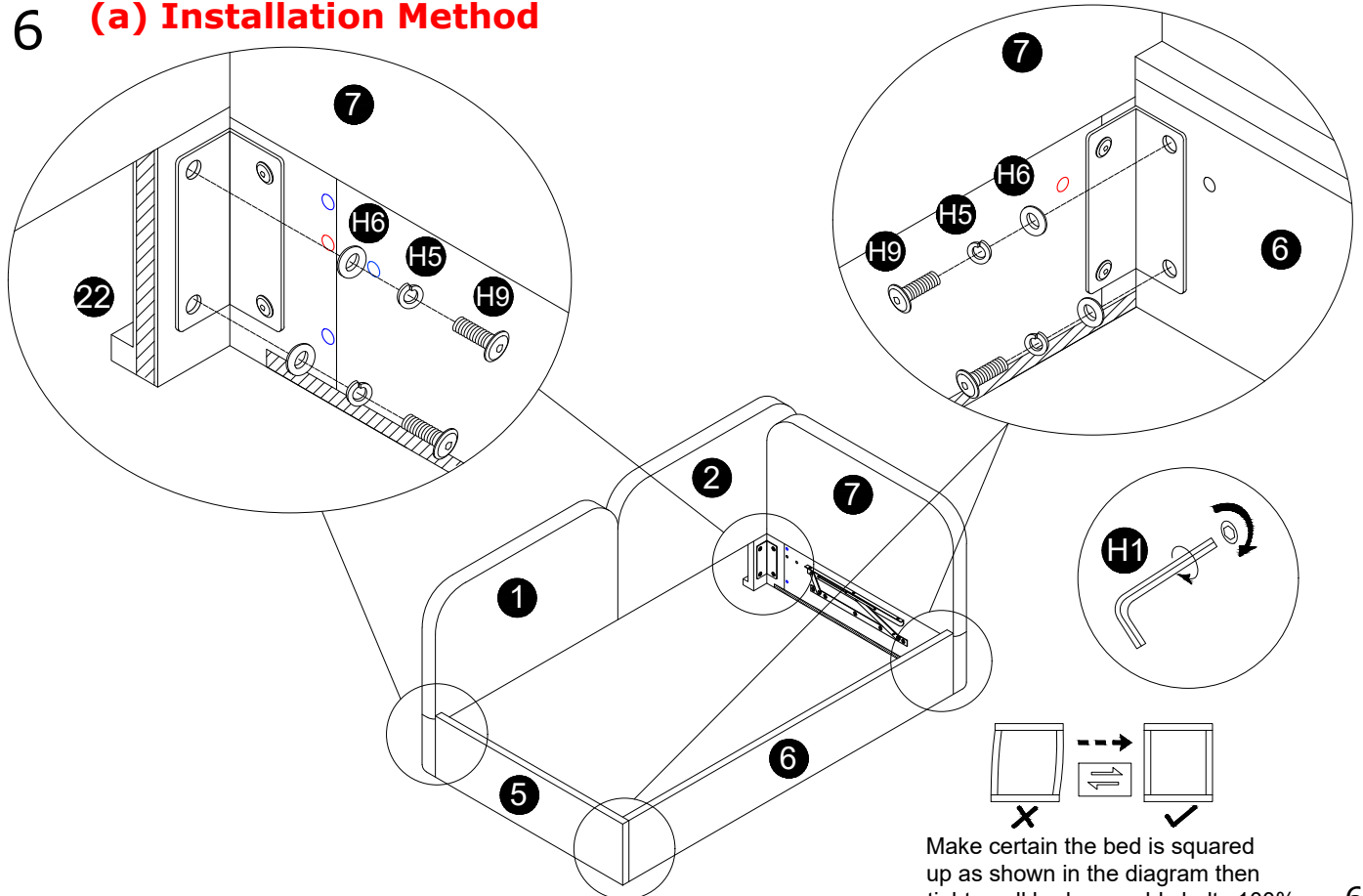


## 5 (a) Installation Method



Do not fully tighten fixings!

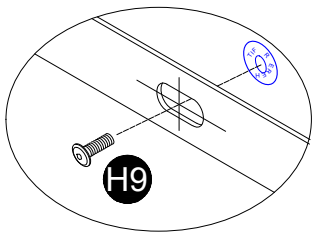
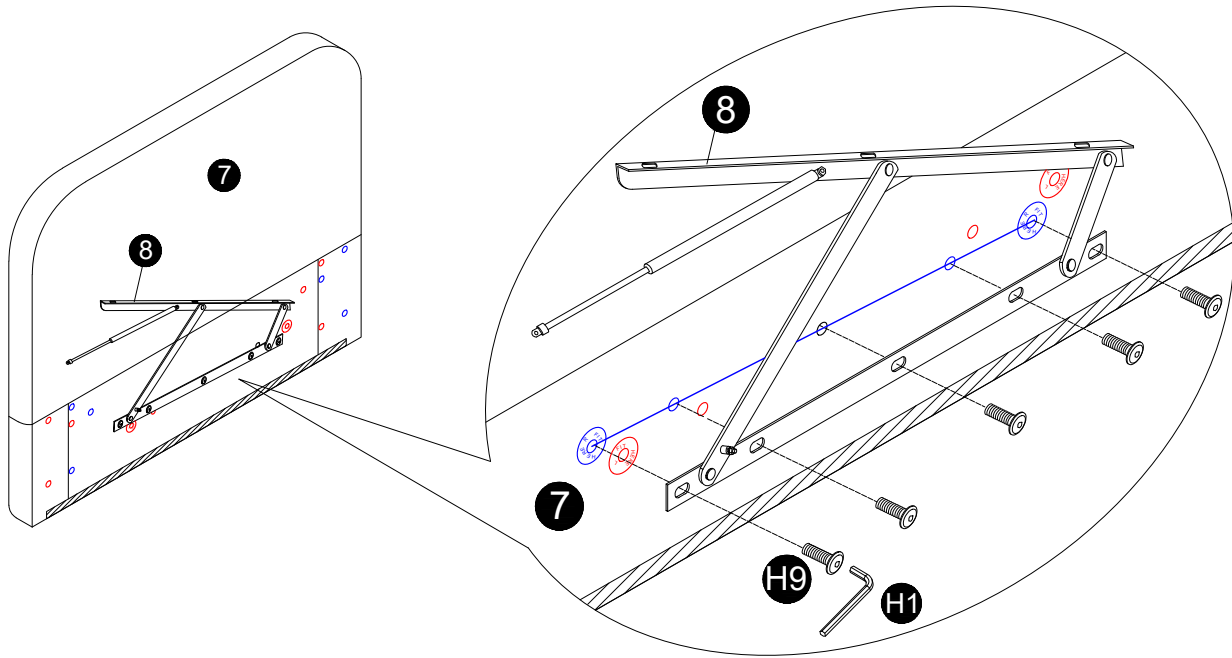
## 6 (a) Installation Method



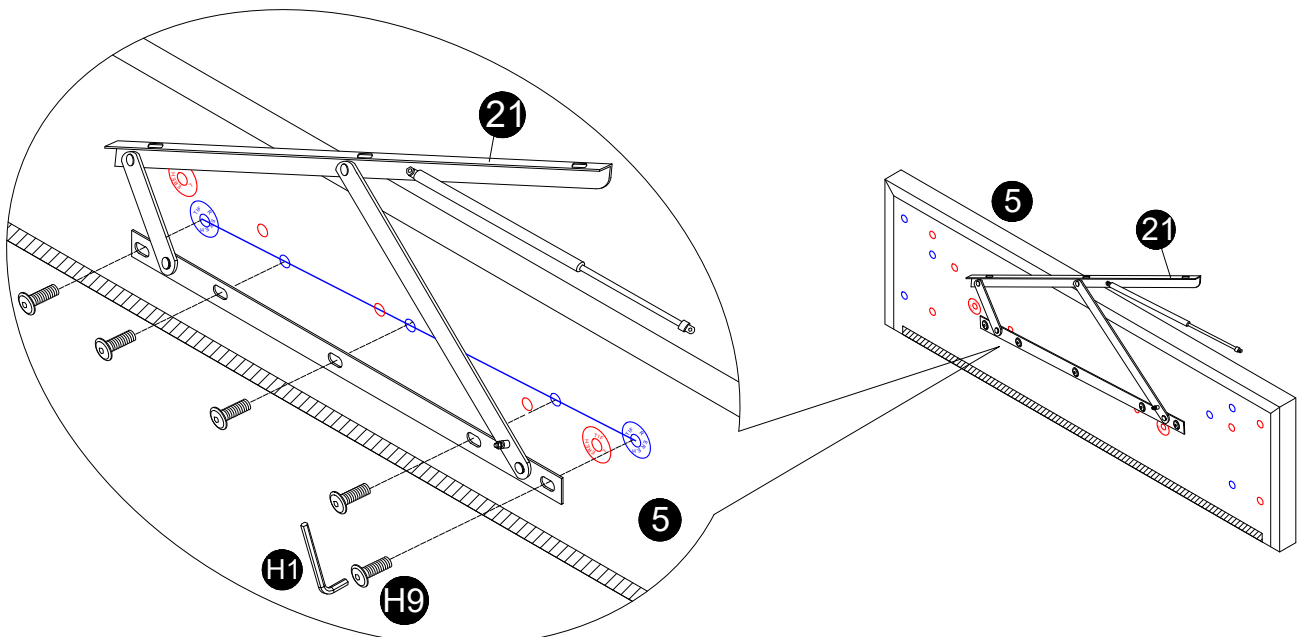
Make certain the bed is squared up as shown in the diagram then tighten all bed assembly bolts 100%.

## 4 (b) Installation Method

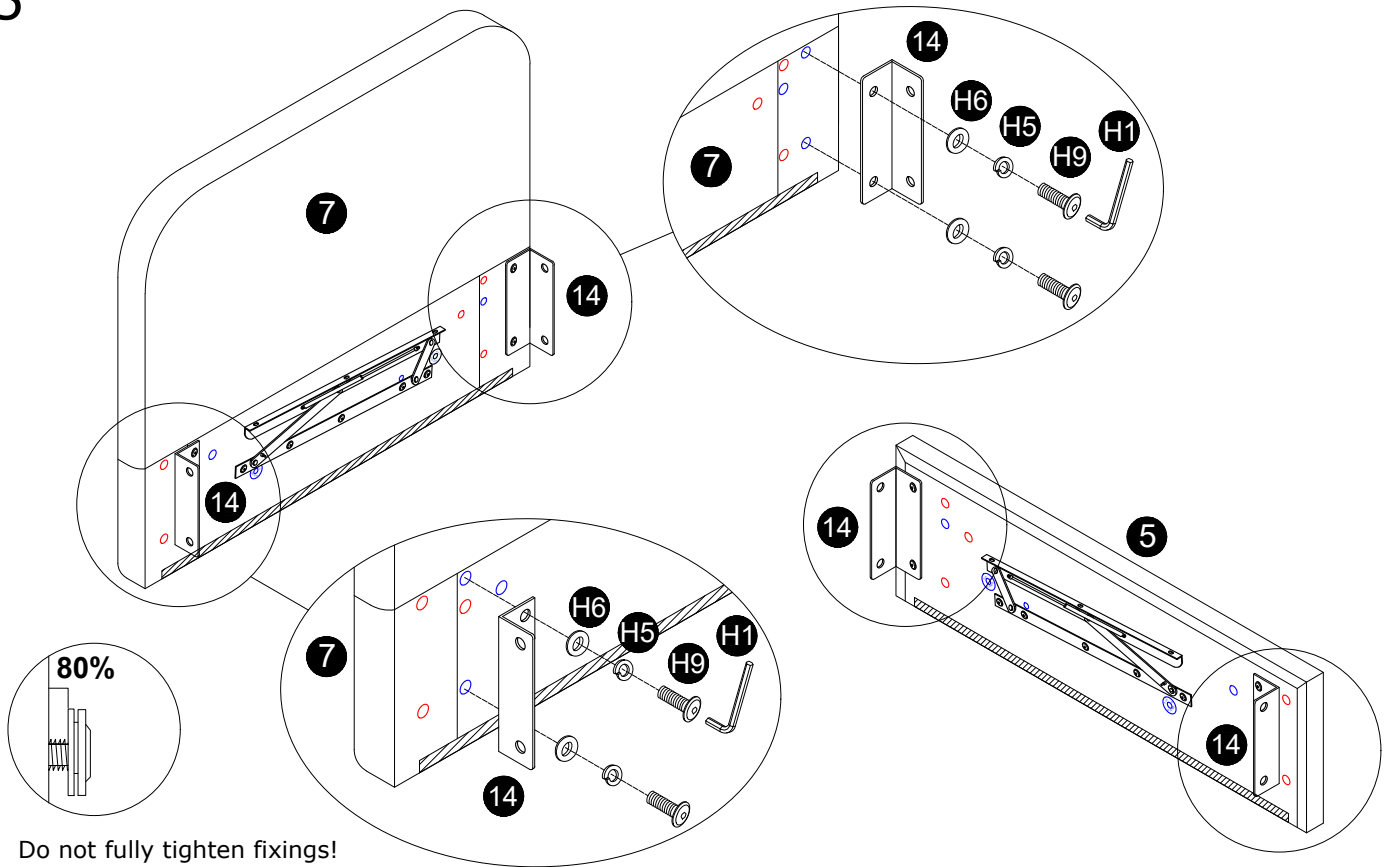
Align Parts 8 and 21 with the blue holes indicated in the diagram, and secure them. The first and last holes on Parts 7 and 5 are marked with the letter "R". The red holes are reserved for installation in direction "a".



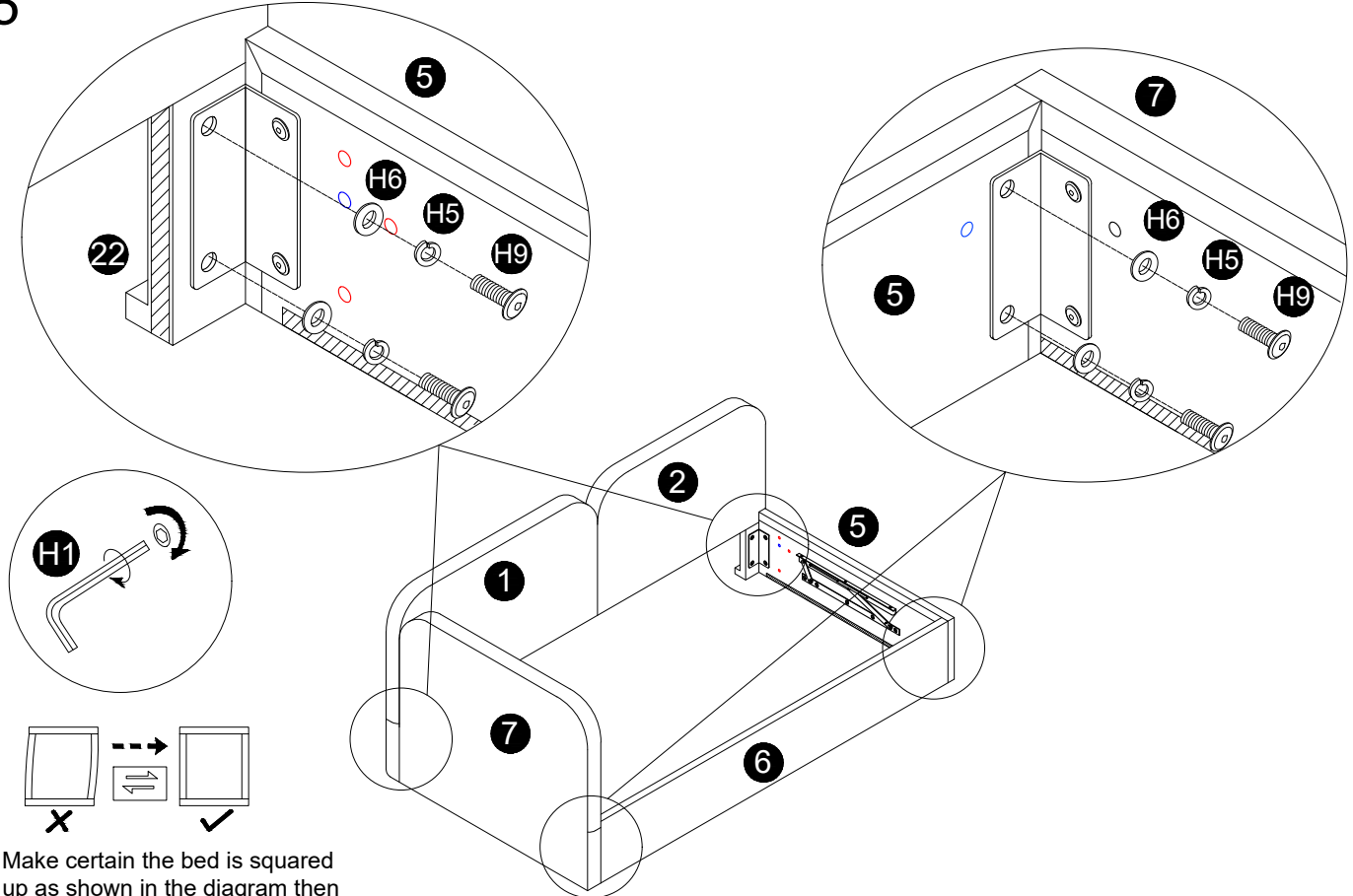
Bolts should be in centre of long holes



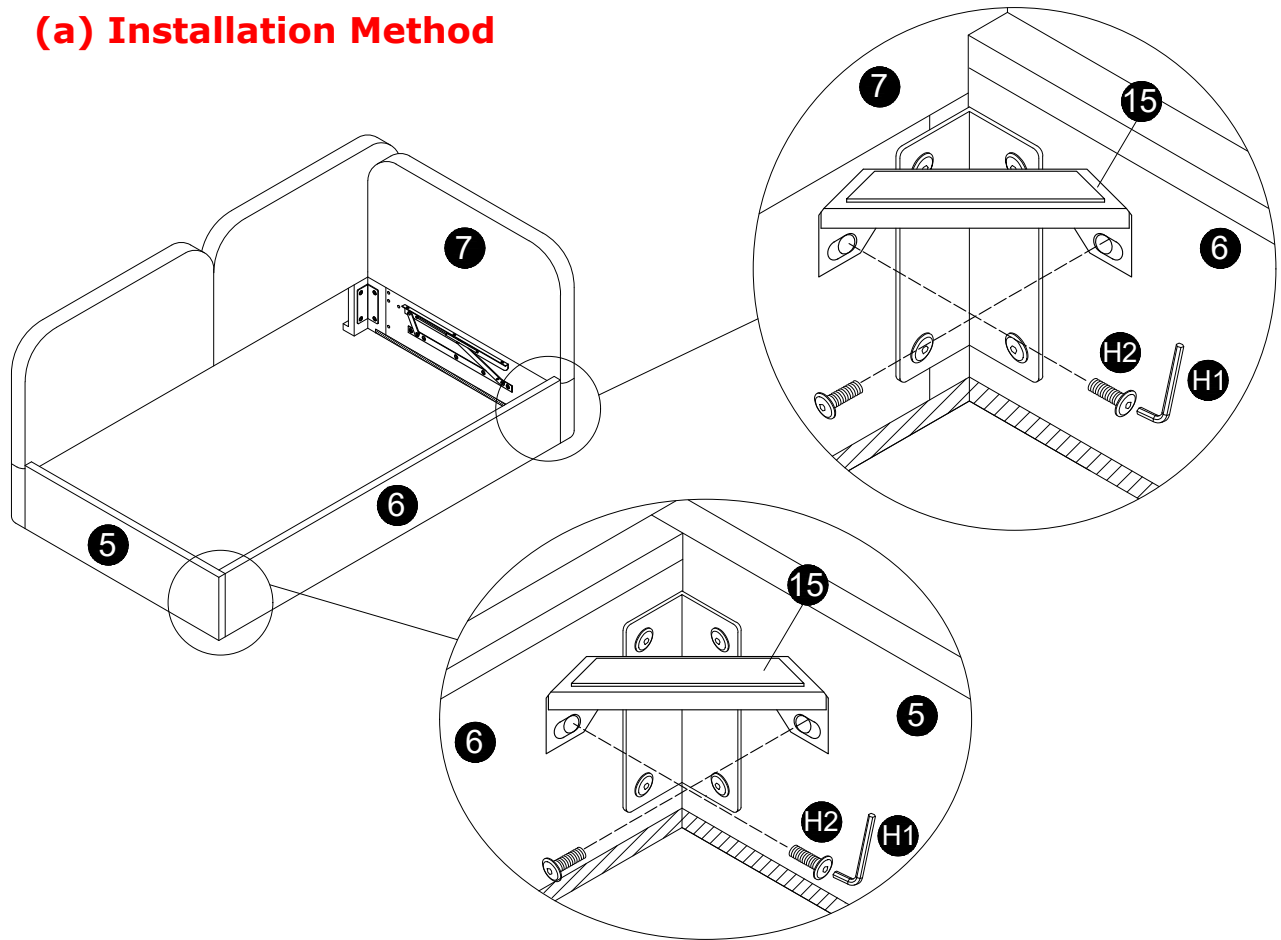
## 5 (b) Installation Method



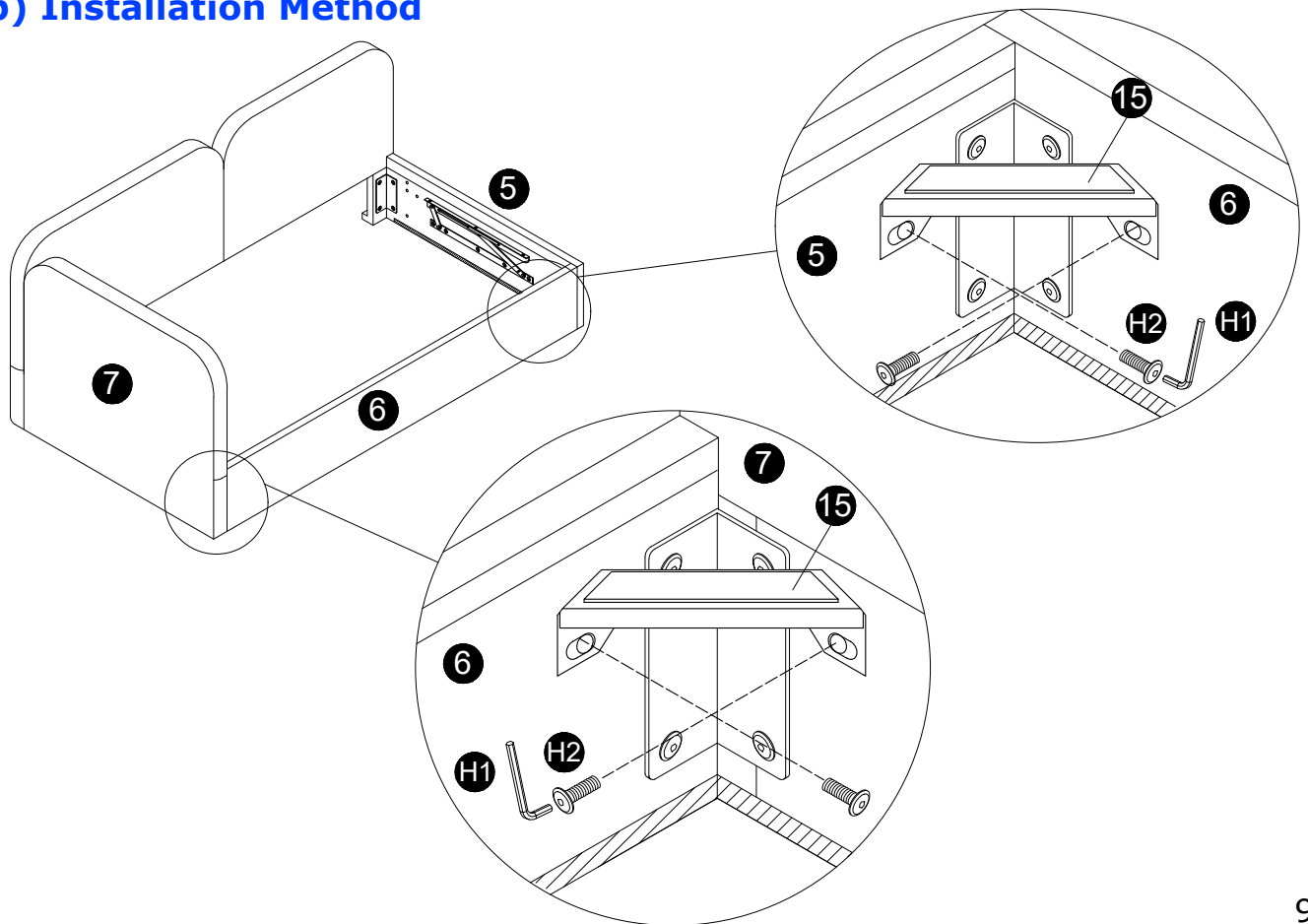
## 6 (b) Installation Method



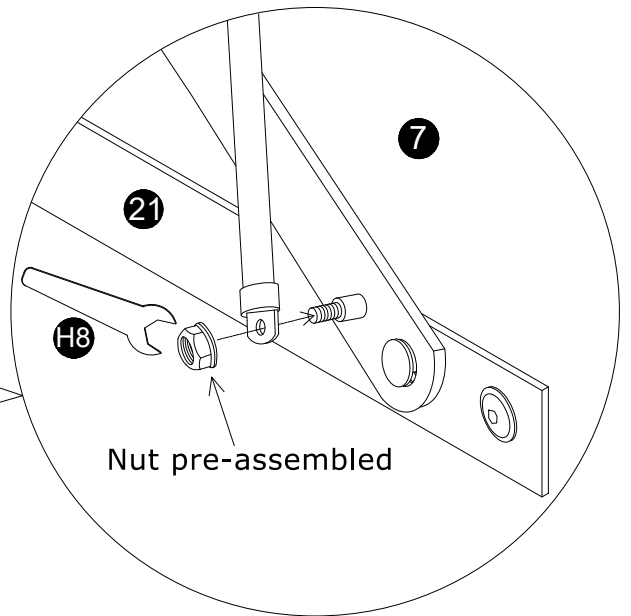
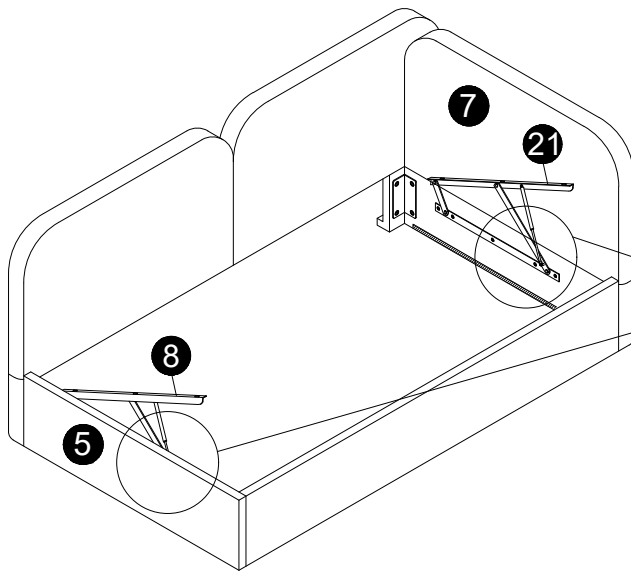
# 7 (a) Installation Method



# (b) Installation Method

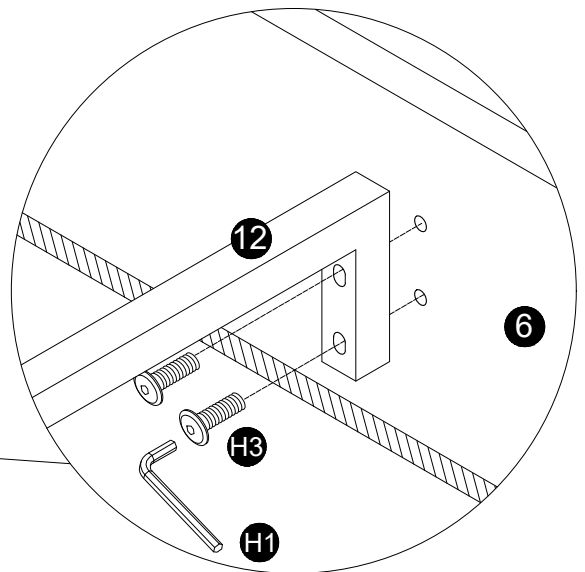
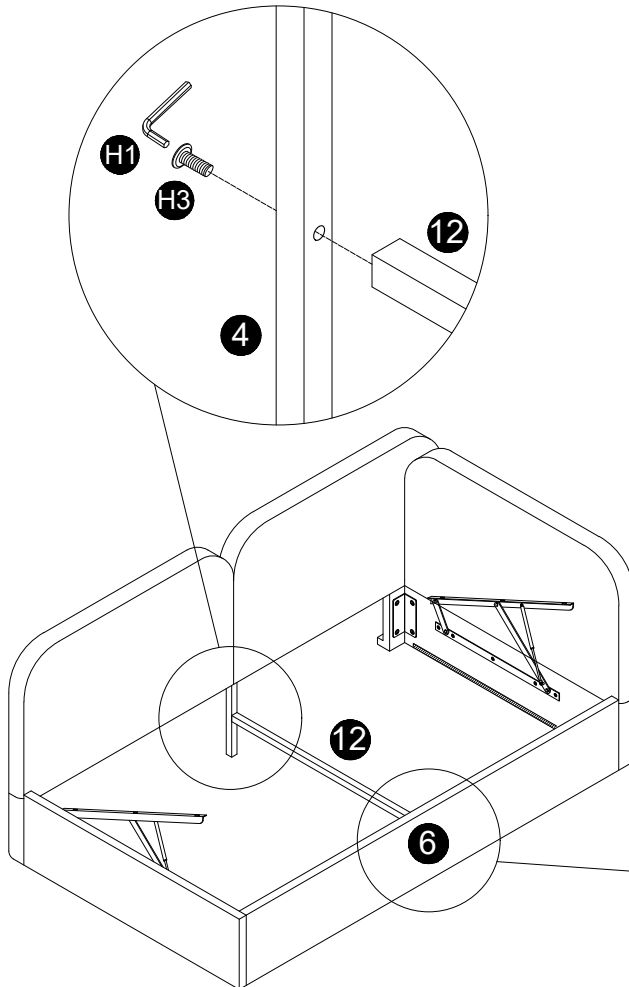


## 8 (a) & (b) Installation Method

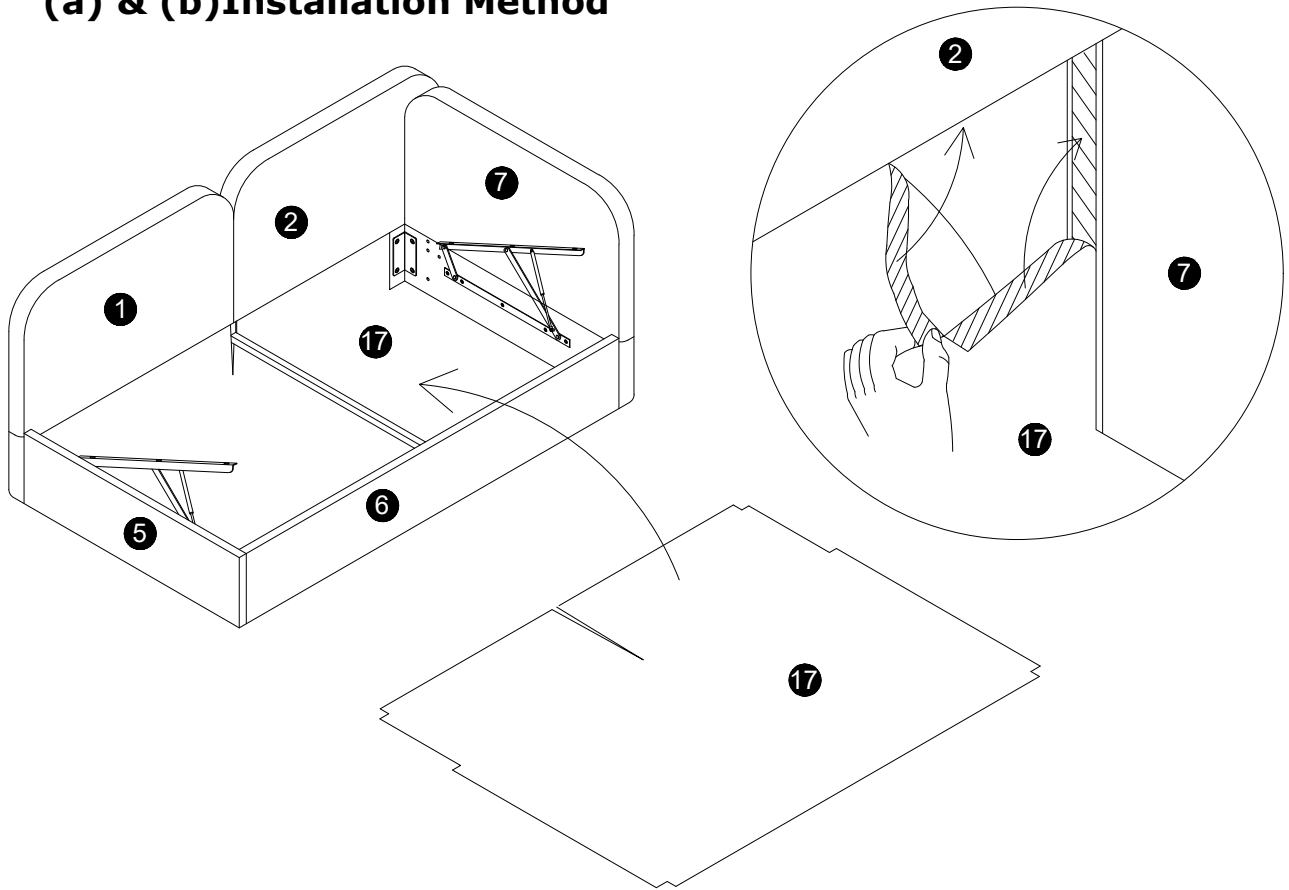


Repeat both sides

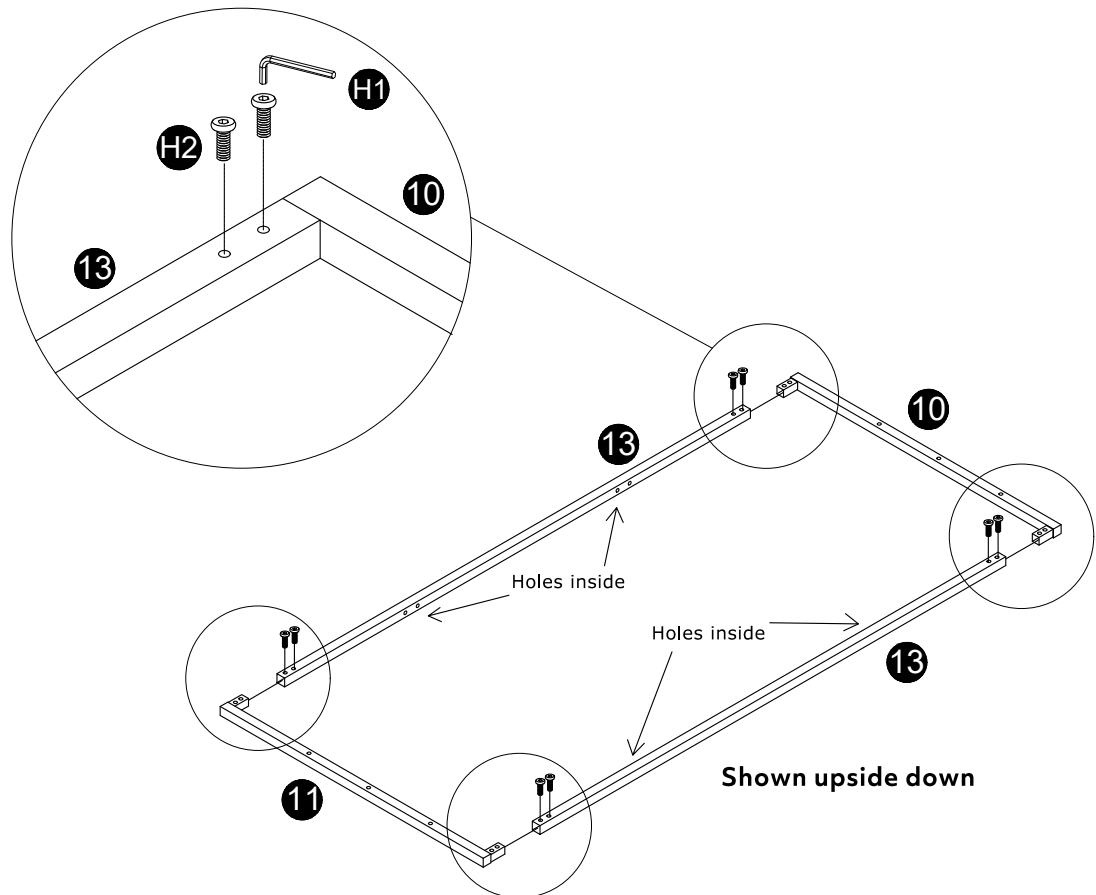
## 9 (a) & (b) Installation Method



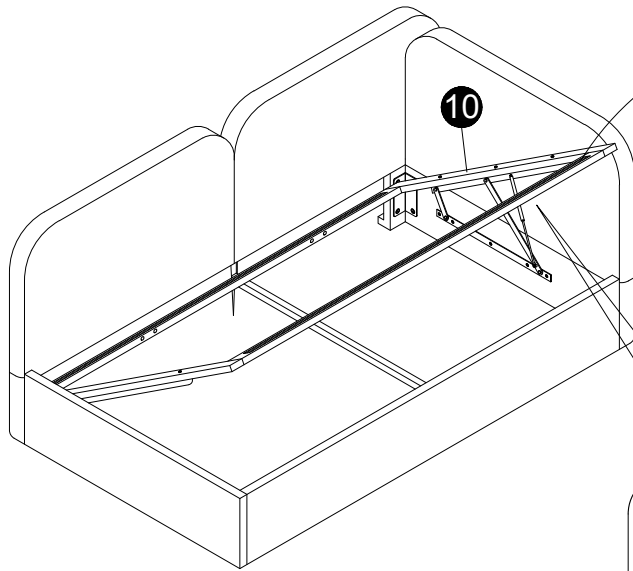
# 10 (a) & (b) Installation Method



# 11 (a) & (b) Installation Method



## 12 (a) & (b) Installation Method

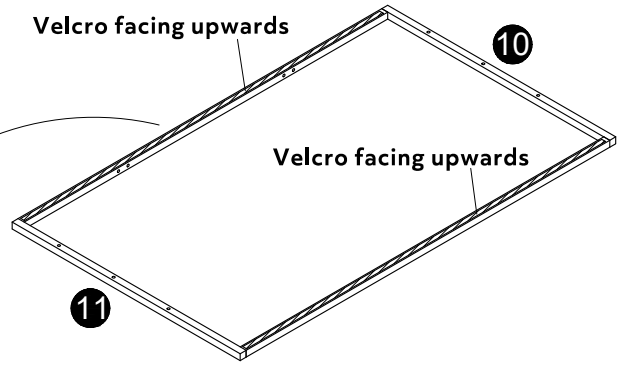


Velcro facing upwards

10

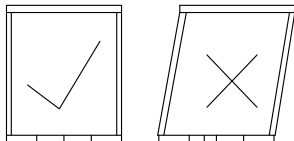
Velcro facing upwards

11

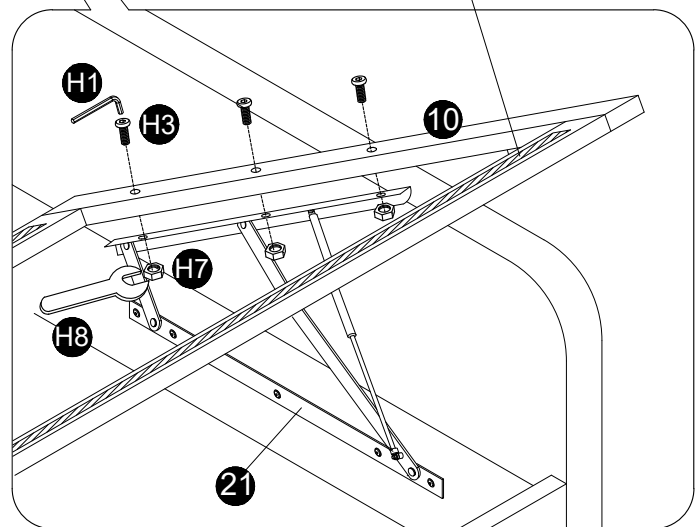


Velcro facing upwards

**Warning: Two people required.  
Frame to be fully supported at all times!**

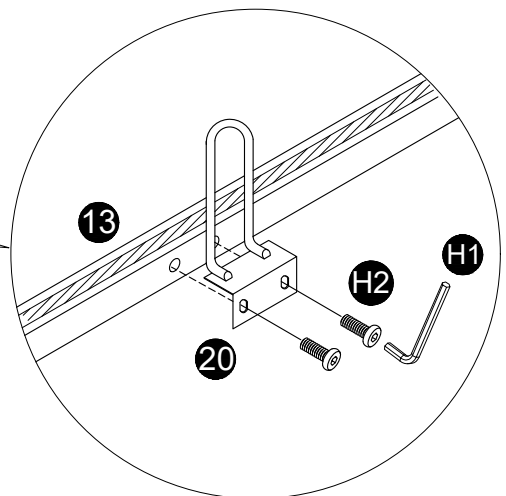
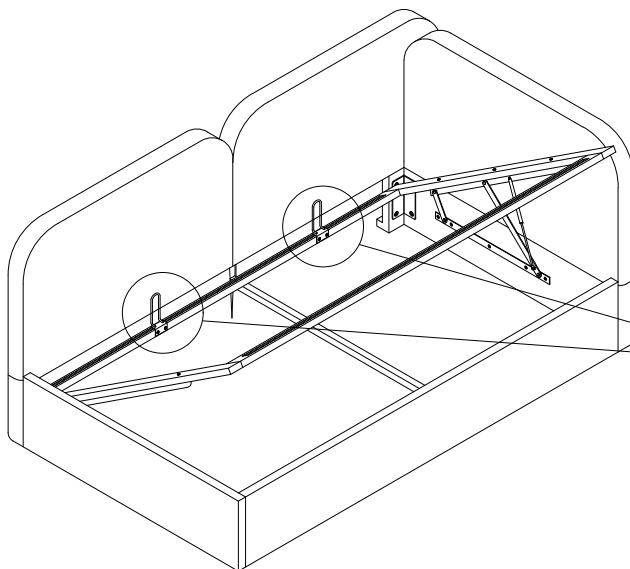


Ensure frame is square

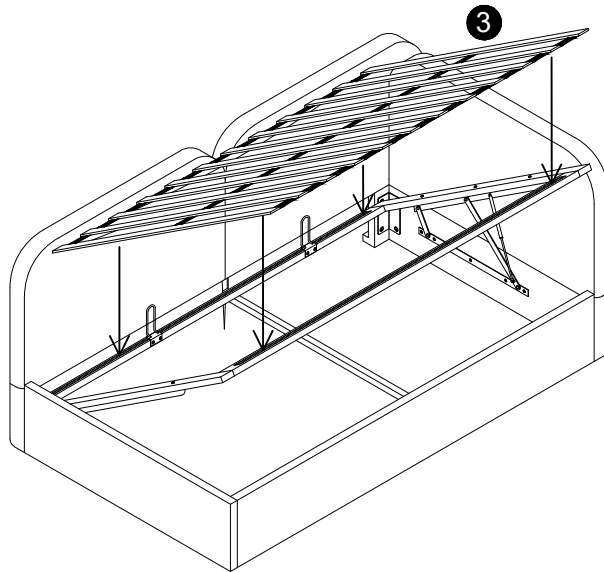


Beware of risk of entrapment from folding hinges!

## 13 (a) & (b) Installation Method

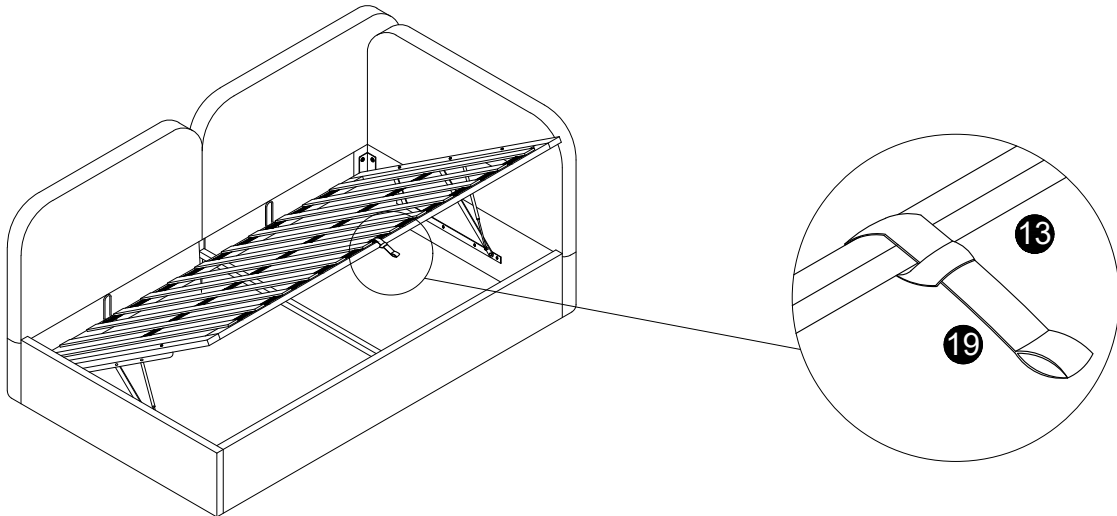


## 14 (a) & (b) Installation Method

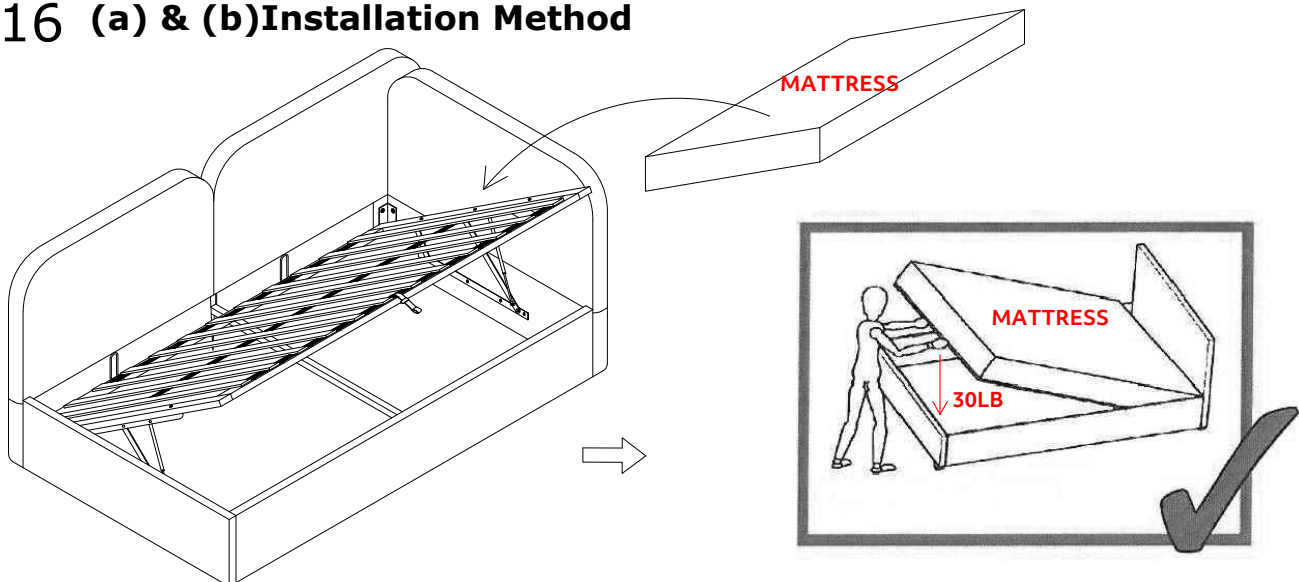


Two people required

## 15 (a) & (b) Installation Method



## 16 (a) & (b) Installation Method



 Place the mattress on frame & Carefully lower the frame down. Keep objects/body part & children away from moving parts.