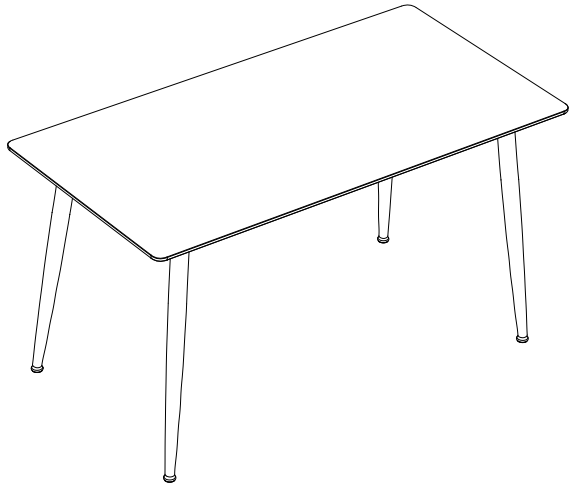
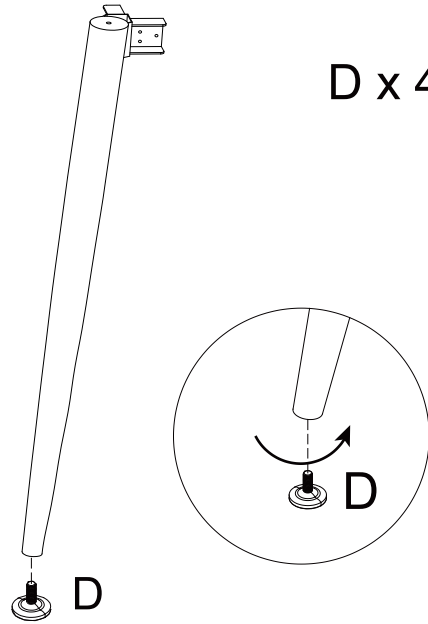


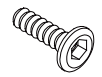
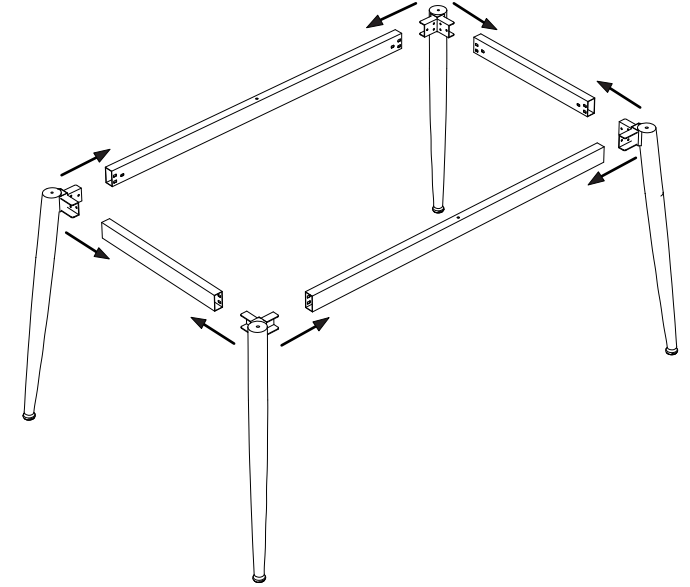
ASSEMBLY INSTRUCTION



STEP 1



STEP 2



A x 12



B x 6

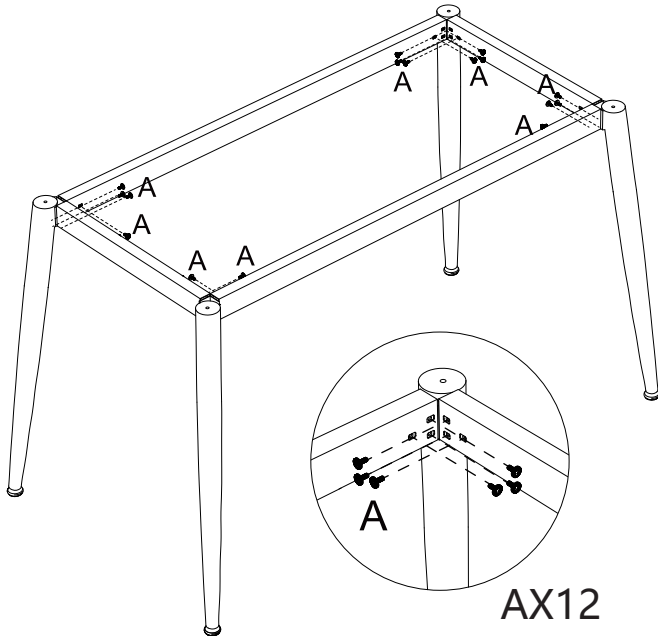


C x 1

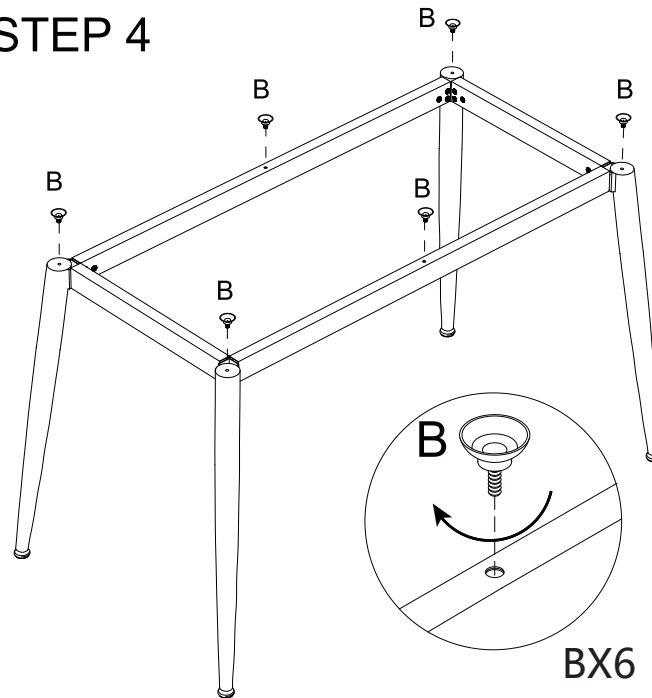


D x 4

STEP 3



STEP 4



STEP 5

