

Metal Storage Cabinet Instruction Manual

Your new Metal Storage Cabinet has arrived and it will make your life so much easier. That's why we put so much effort into designing it to perfectly fit your needs.

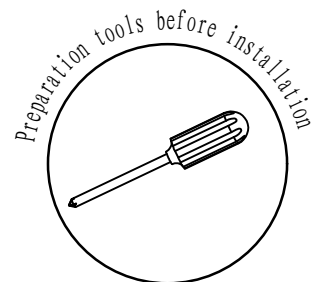
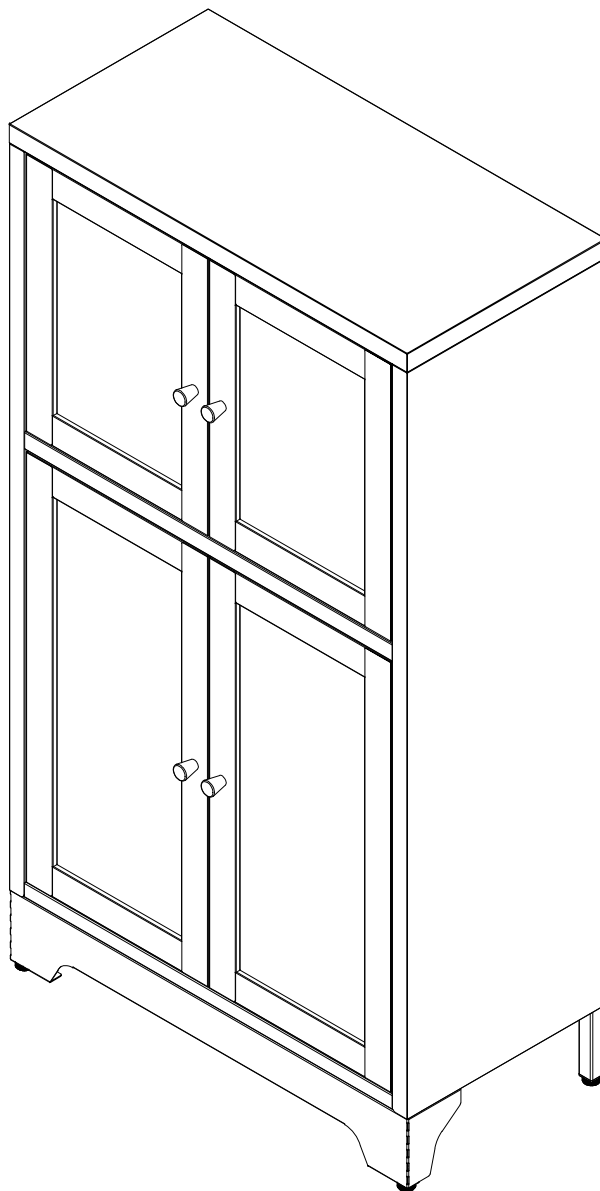
But first things first, we need to install it!
When we say 'we', we mean we're going to guide you, step by step.

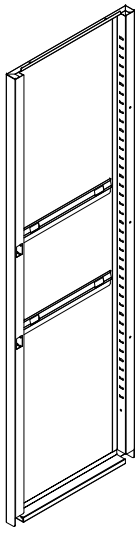
We created this instructions manual so that you won't feel overwhelmed and We also know that sometimes things just don't seem to fit, so don't hesitate to contact with our Customer Associate if you have questions or need help!

Missing A PART? DON' T WORRY, WE GOT YOUR BACK!

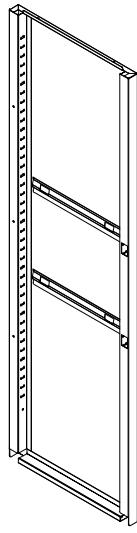
Compare the sketch on the next page with your package. Are all the pieces there? However, sometimes error happen, so if anything is missing or damage, just send us an email and we will make sure to fix it!

If you find scratches on the sides of the product after you open the package.
DON' T WORRY, this is the protection of express packages.

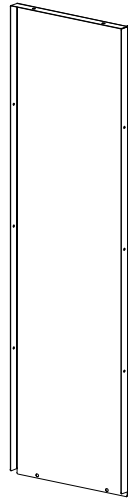




A*1

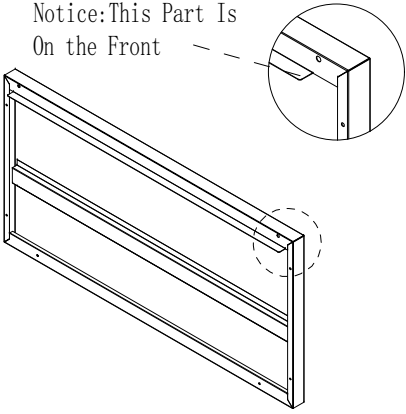


J*1

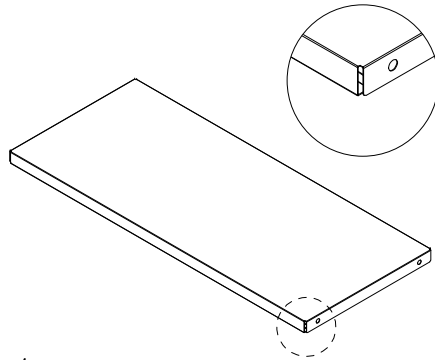


B*1

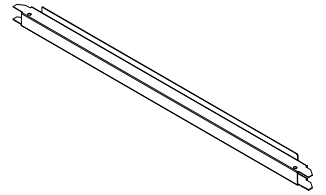
Notice: This Part Is On the Front



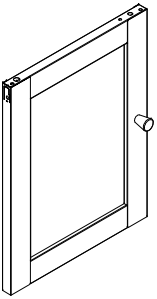
C*1



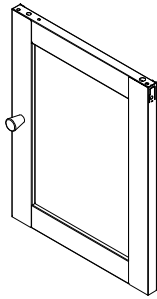
D*4



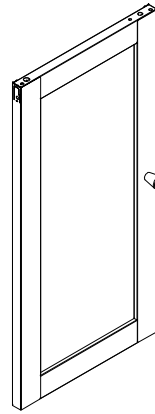
N*1



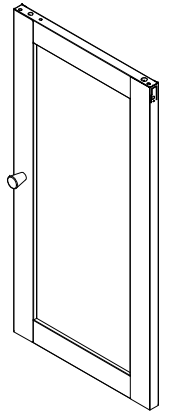
E*1



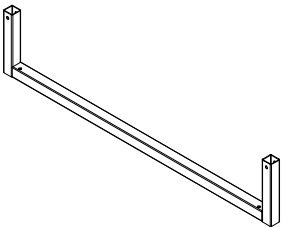
F*1



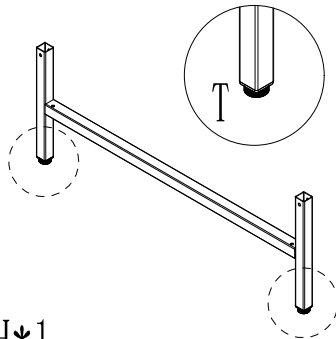
O*1



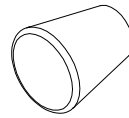
P*1



U*1



H*1



G*4



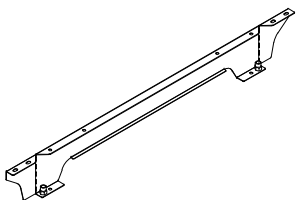
S*4



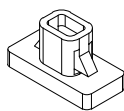
I*27



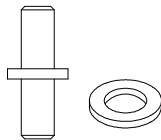
M*3



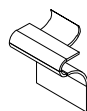
V*1



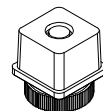
Q*8



K*4



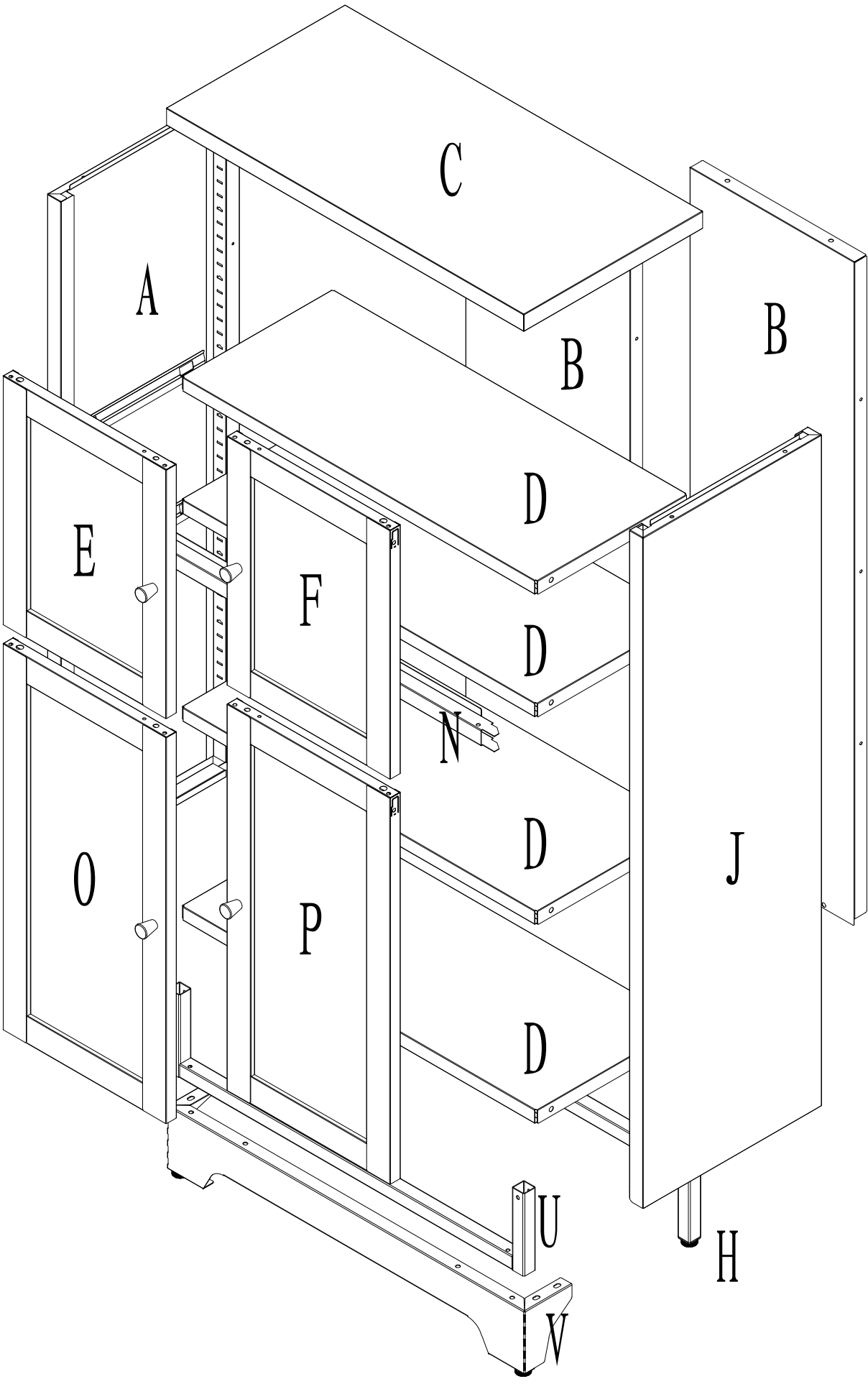
L*8



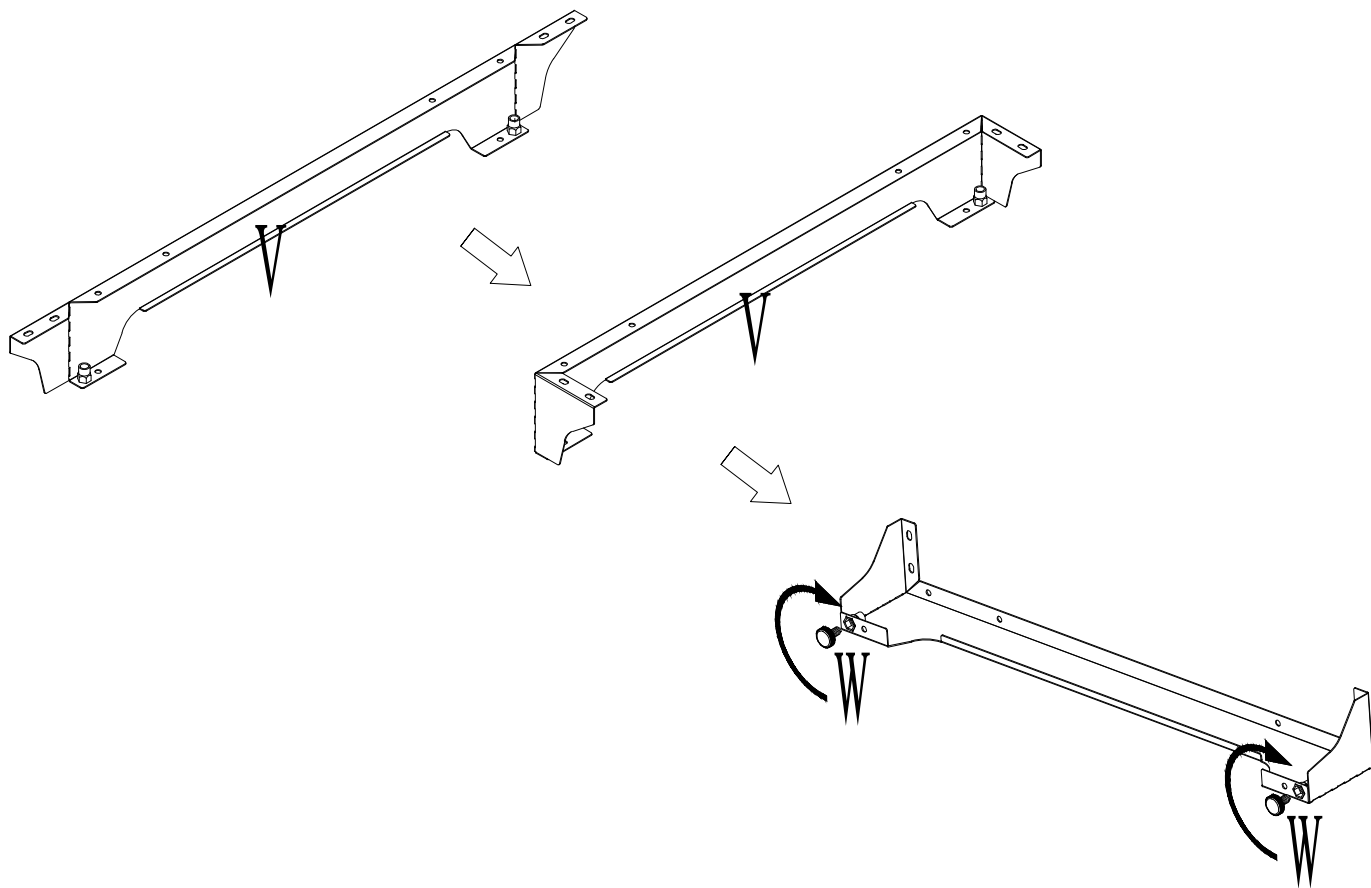
T*2



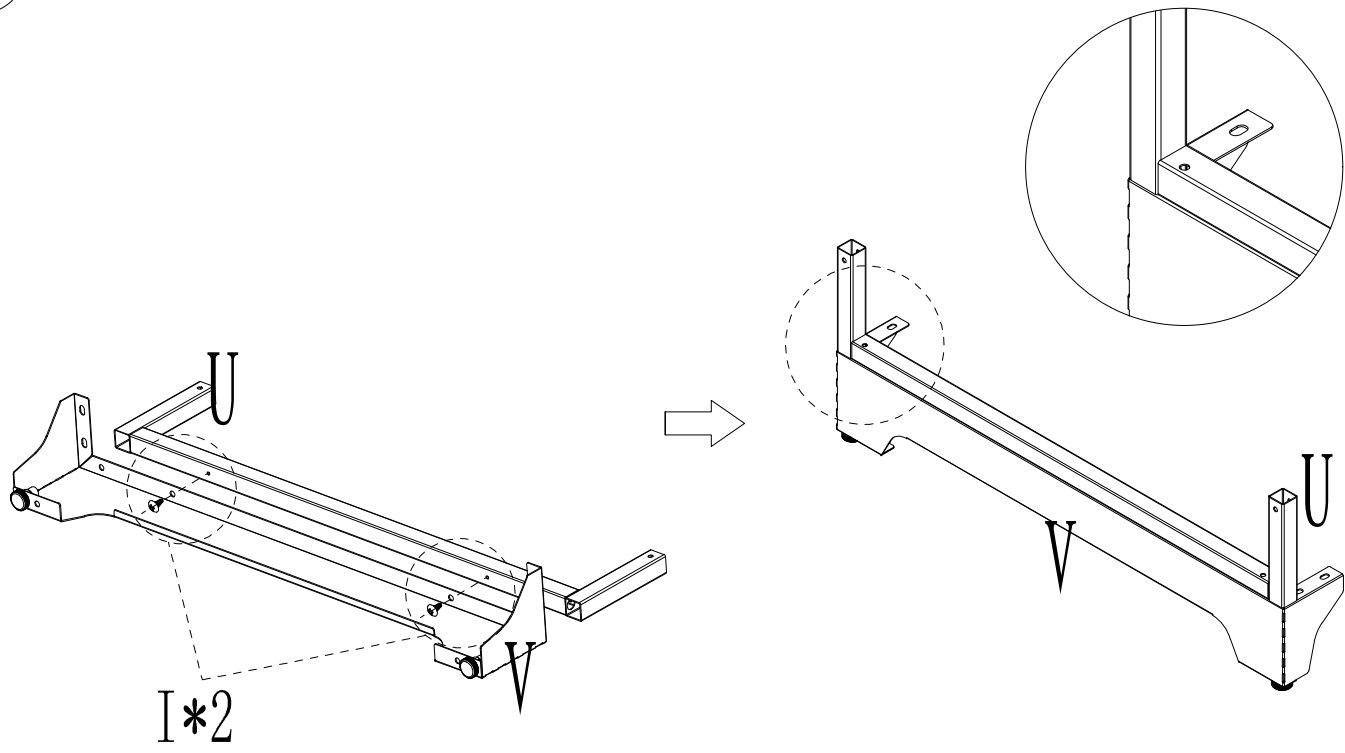
W*2



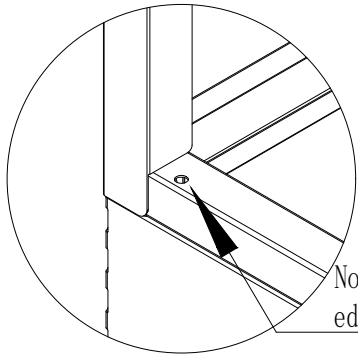
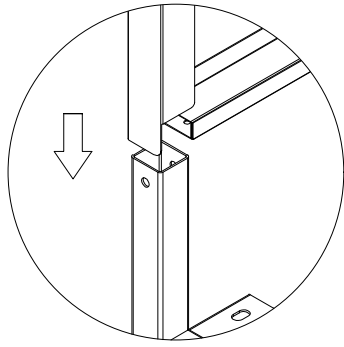
1



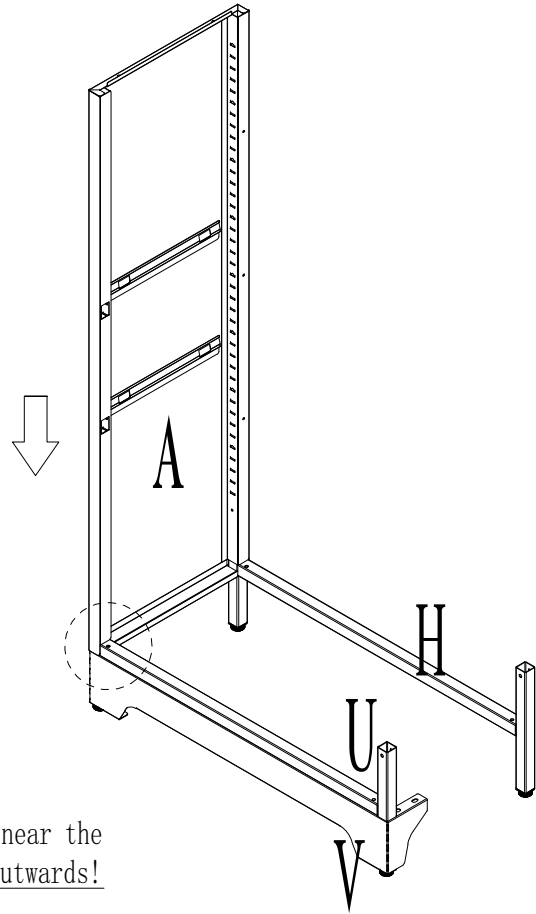
2



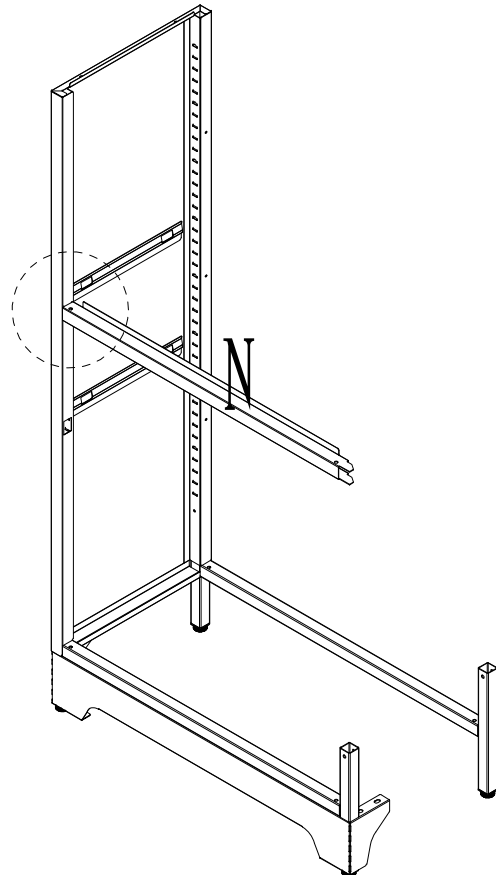
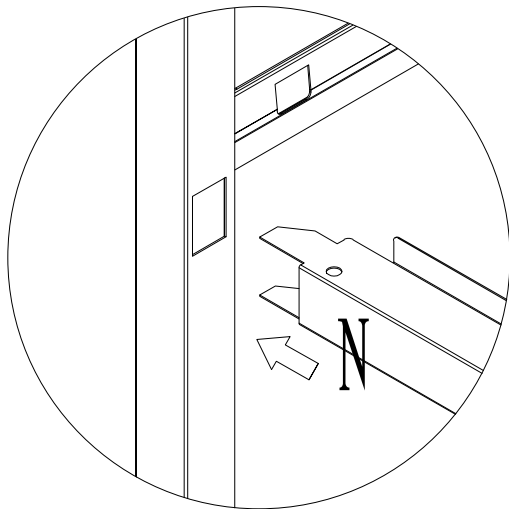
3



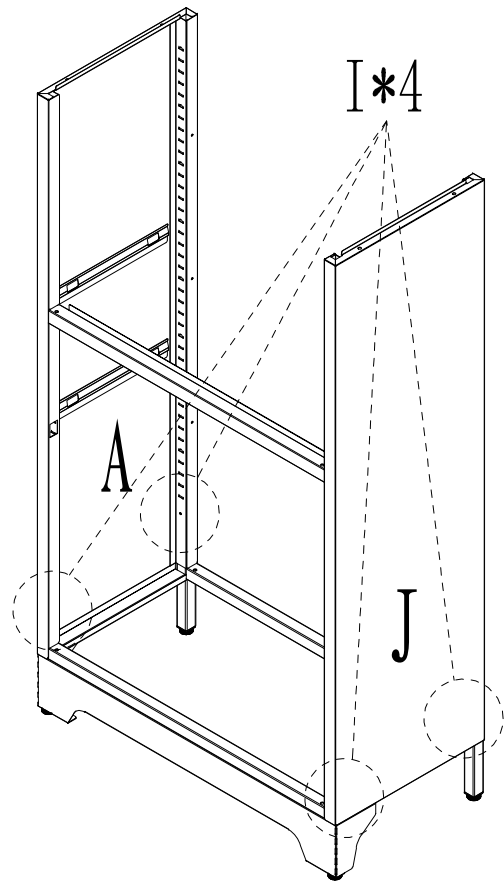
Notice: The holes near the edge are facing outwards!



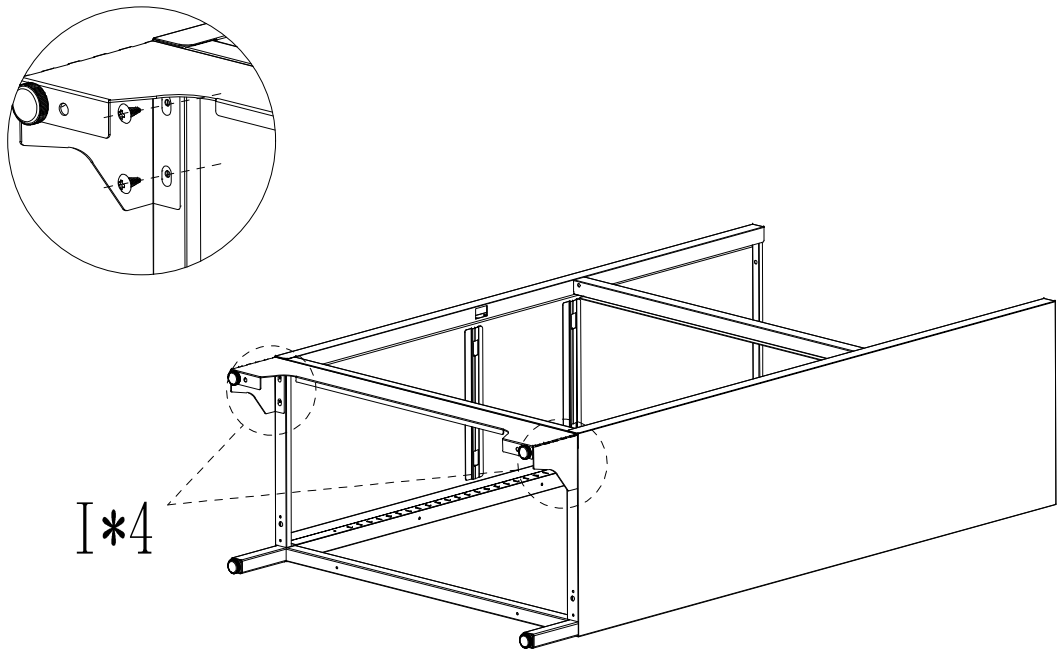
4



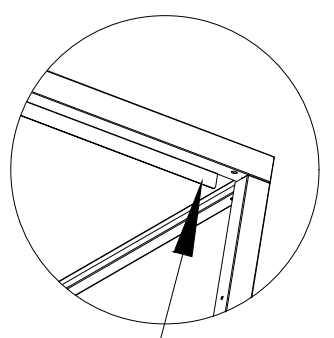
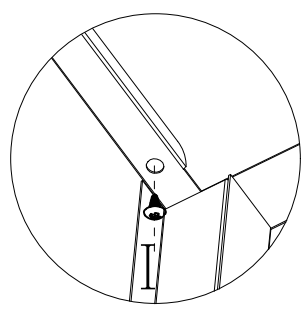
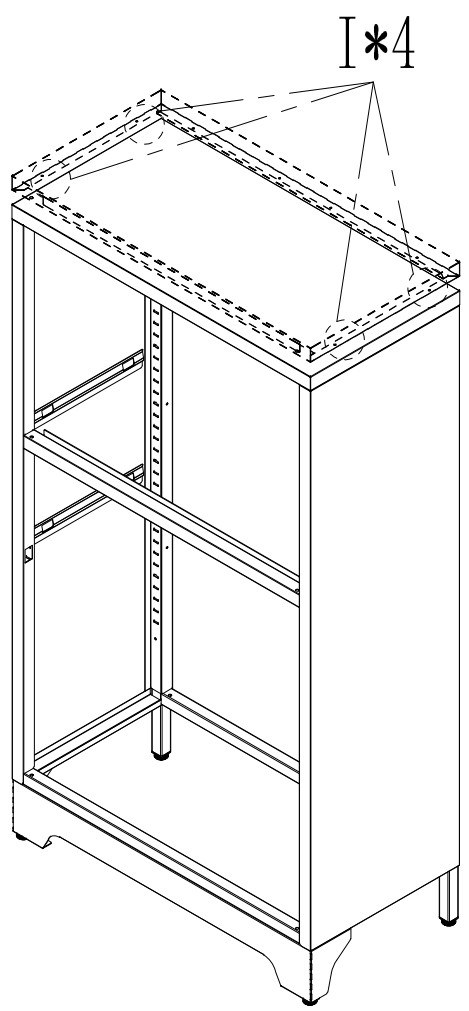
5



6



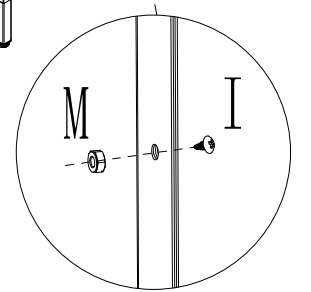
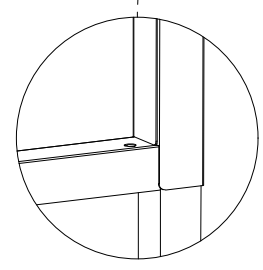
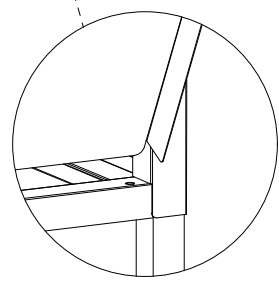
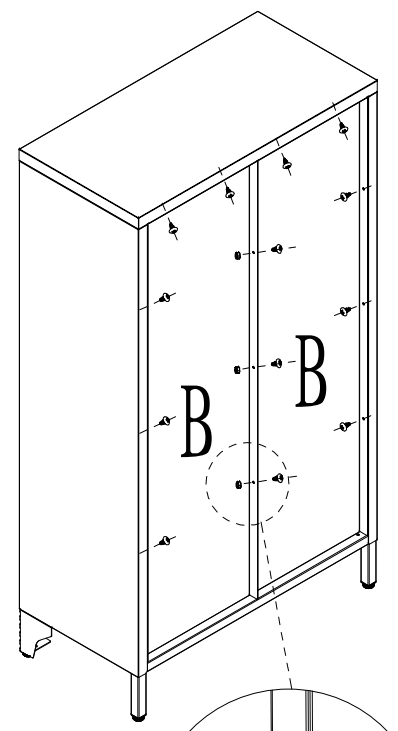
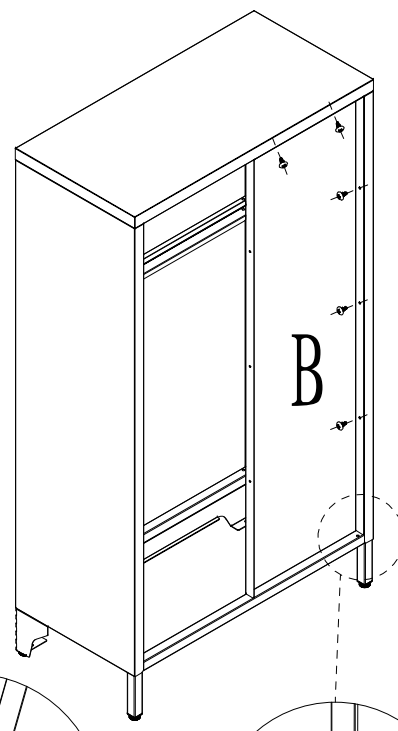
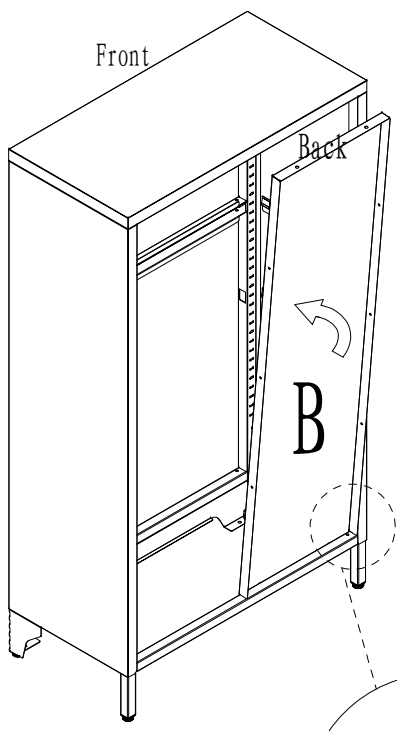
7



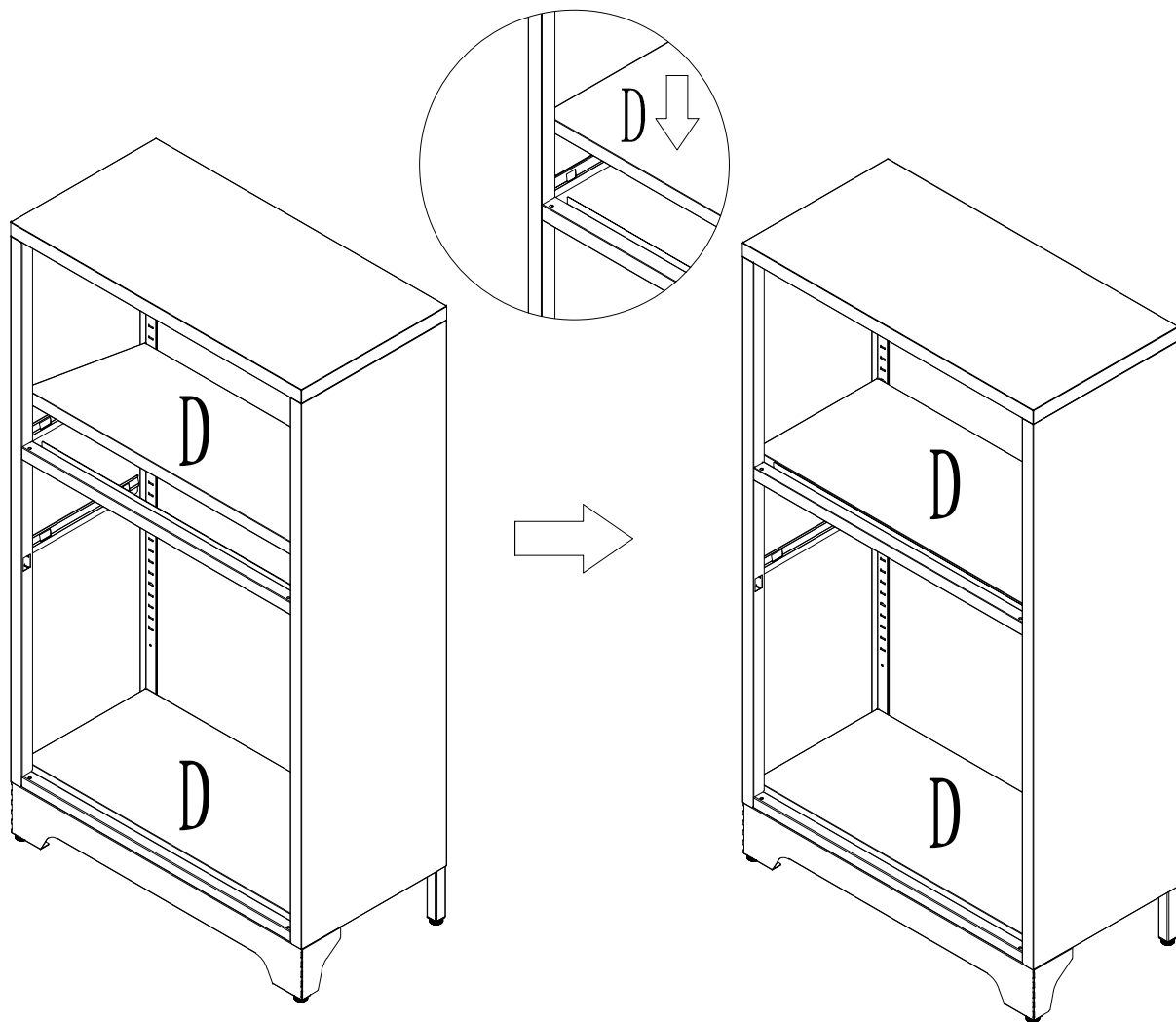
Notice: This part is on the front

8

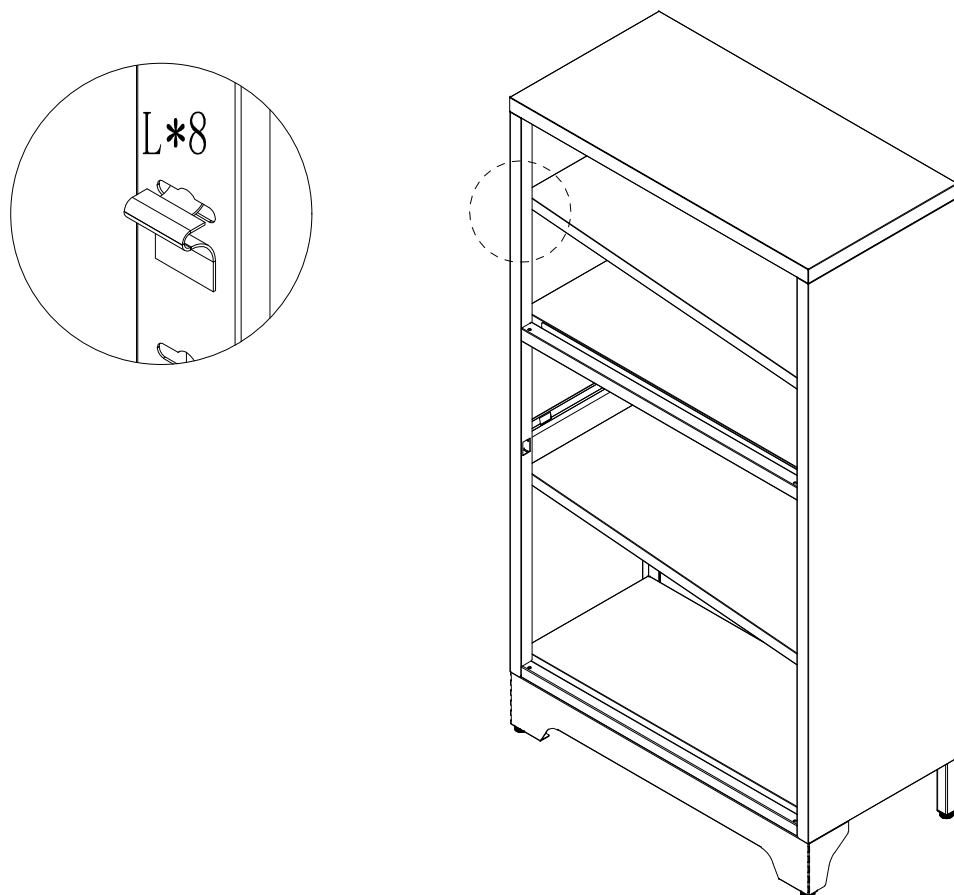
Notice: The concave side faces outward!

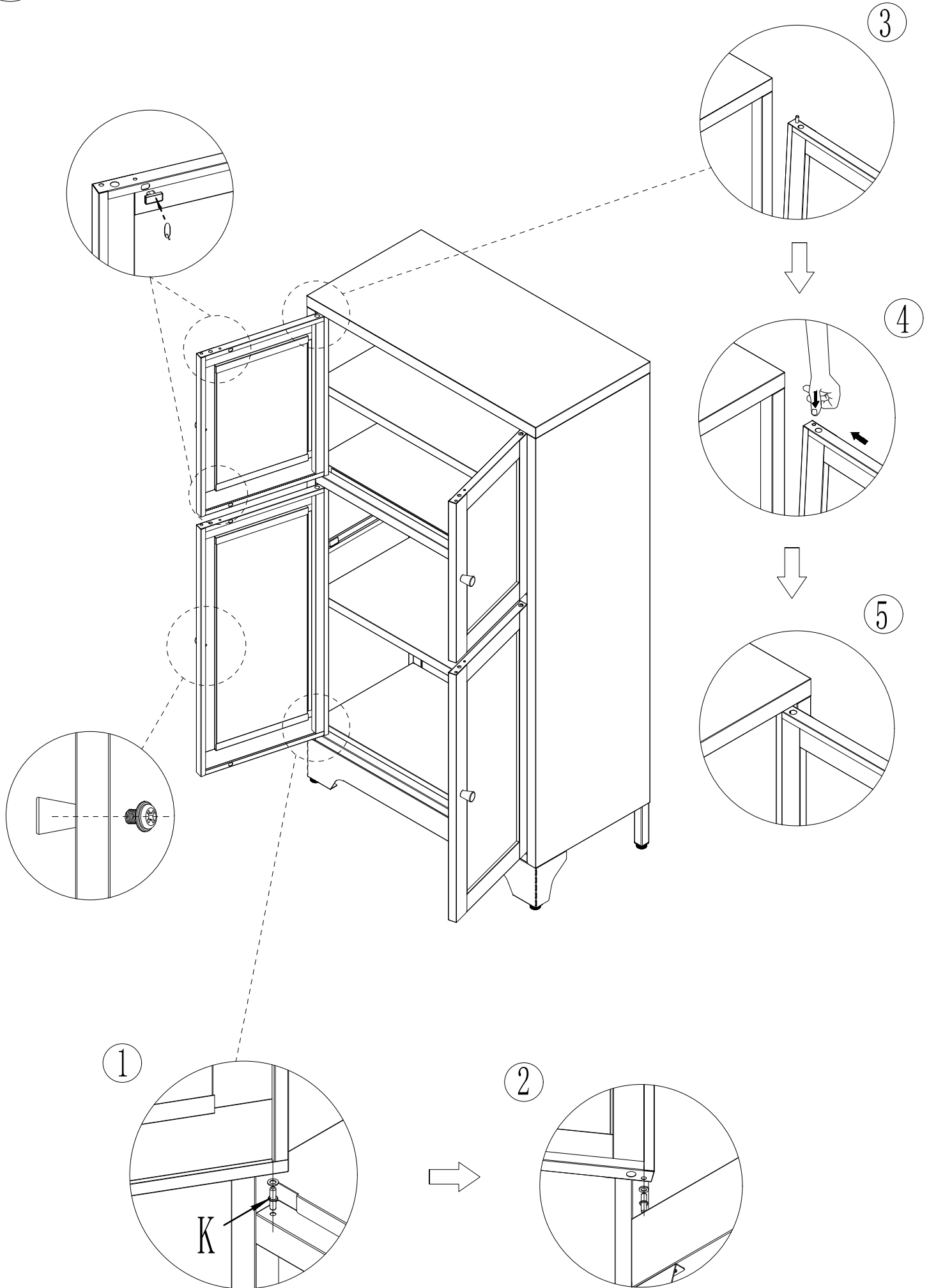


9

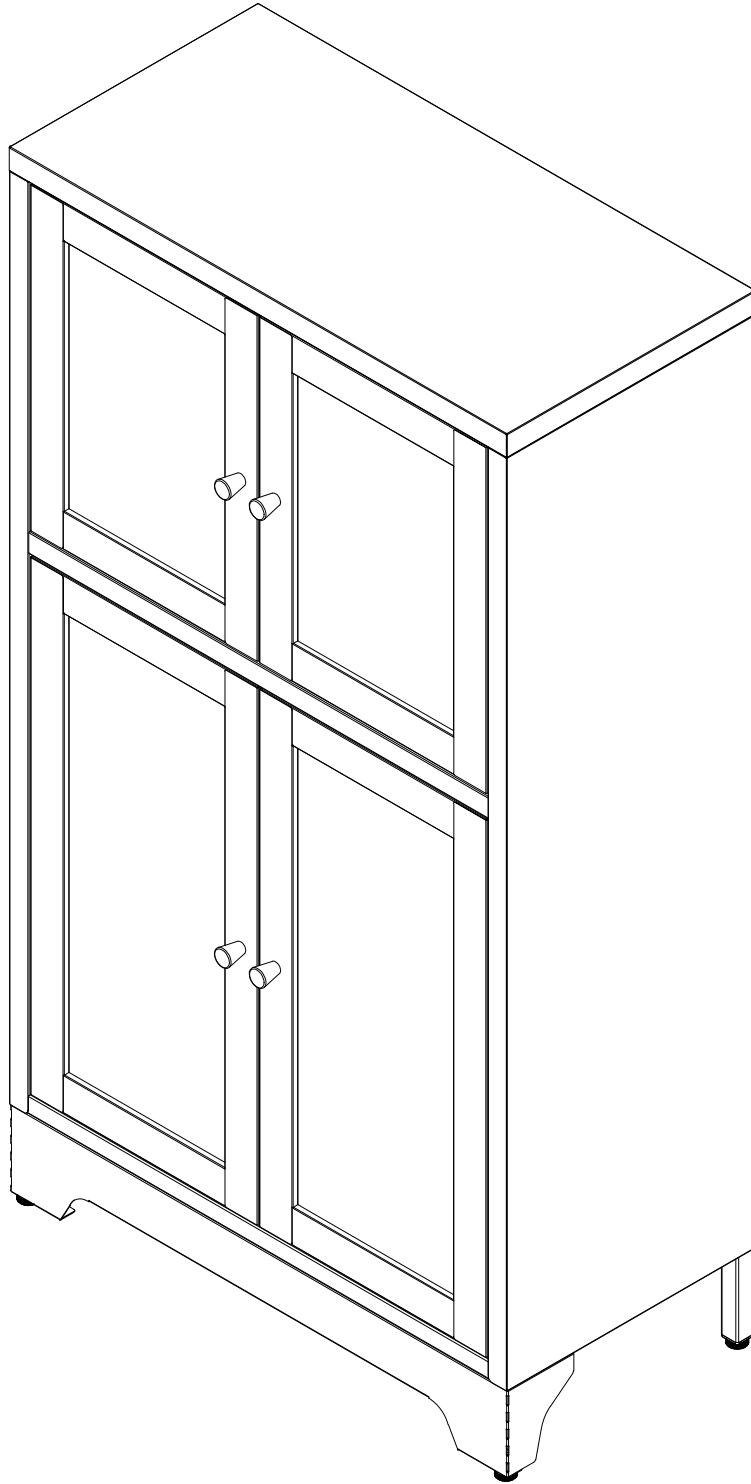


10





Your metal cabinet is ready to use!



Congratulations!
Your metal cabinet is ready to use!