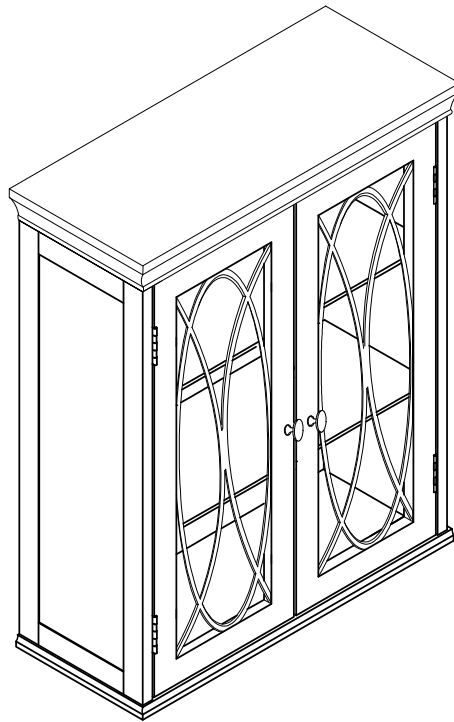


ASSEMBLY INSTRUCTIONS

2Door WC



Please provide the following information when contacting for parts or questions: the name of the company you purchased from, the UPS/FedEx tracking number.

This product comes with a 1 year warranty. Products purchased second hand/used are not covered under the warranty.

ASSEMBLY INSTRUCTIONS-IMPORTANT

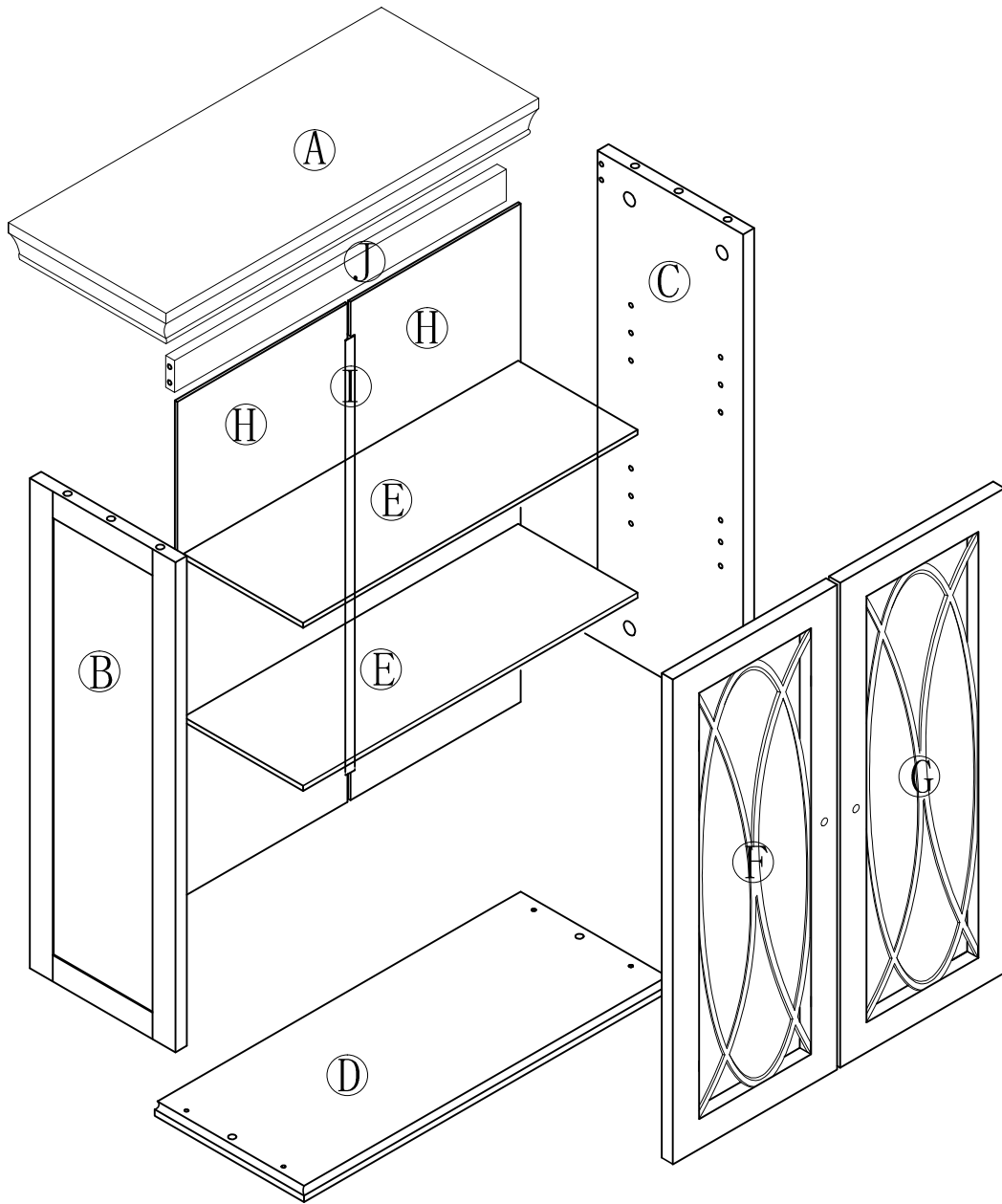
Carefully unpack & identify each component before attempting to assemble. Refer to parts list. Please take care when assembling the unit and always set the parts on a clean, soft surface. If you require any assistance with assembly, parts, please call the company you place order with or please email

INSTRUCCIONES PARA ARMAR-IMPORANT:

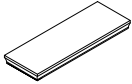

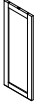

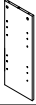
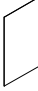
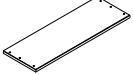

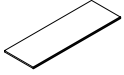

Desempaque cuidadosamente e identifique cada componente antes de tartar de empezar su ensambladura. Verifique la lista de partes. Por favor tenga cuidado cuando arme la unidad y siempre coloque las piezas sobre una superficie plana, suave y limpia. Si necesita ayuda con el armado, envíe un correo electzórico

DIRECTIVES DE MONTAGE-IMPORTANT:


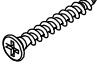
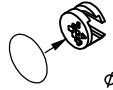
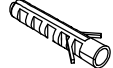
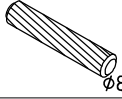

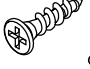


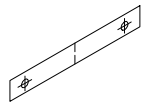
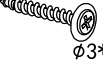
Avant de commencer l' assemblage, déballez délicatement toutes les pièces et repérez-les sur la liste des pièces. Procédez avec soins durant l' assemblage et posez toujours les pièces sur une surface proper, douce et lisse. sie vouo plait e-mail



COMPONENTS

PART	FIGURE	DESCRIPTION	QTY	PART	FIGURE	DESCRIPTION	QTY
A		TOP PANEL	1PC	F		LEFT DOOR	1PC
B		LEFT SIDE PANEL	1PC	G		RIGHT DOOR	1PC
C		RIGHT SIDE PANEL	1PC	H		BACK PANEL	2PCS
D		BOTTOM PANEL	1PC	I		PLASTIC BAR	1PC
E		GLASS SHELF	2PCS	J		UPPER RAIL	1PC

HARDWARE & TOOLS

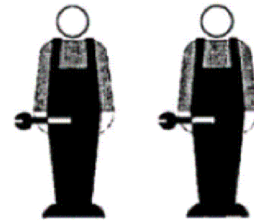
PART	FIGURE	DESCRIPTION	QTY	PART	FIGURE	DESCRIPTION	QTY
1		CAM BOLT	8PCS	7	 φ4*35	SCREW	2PCS
2	 φ15*12	CAM LOCK	8PCS	8		ANCHOR	2PCS
3	 φ8*30	WOODEN DOWEL	14PCS	9		KNOB	2PCS
4	 φ3*12	SCREW	8PCS	10		BOLT	2PCS
5		SHELF PIN	8PCS			TEMPLATE PAPER	1PC
6	 φ3*12 D=7	SCREW	14PCS				

TOOL NEEDED:



**PHILIPS SCREWDRIVER REQUIRED
- NOT INCLUDED**

SUGGESTION:



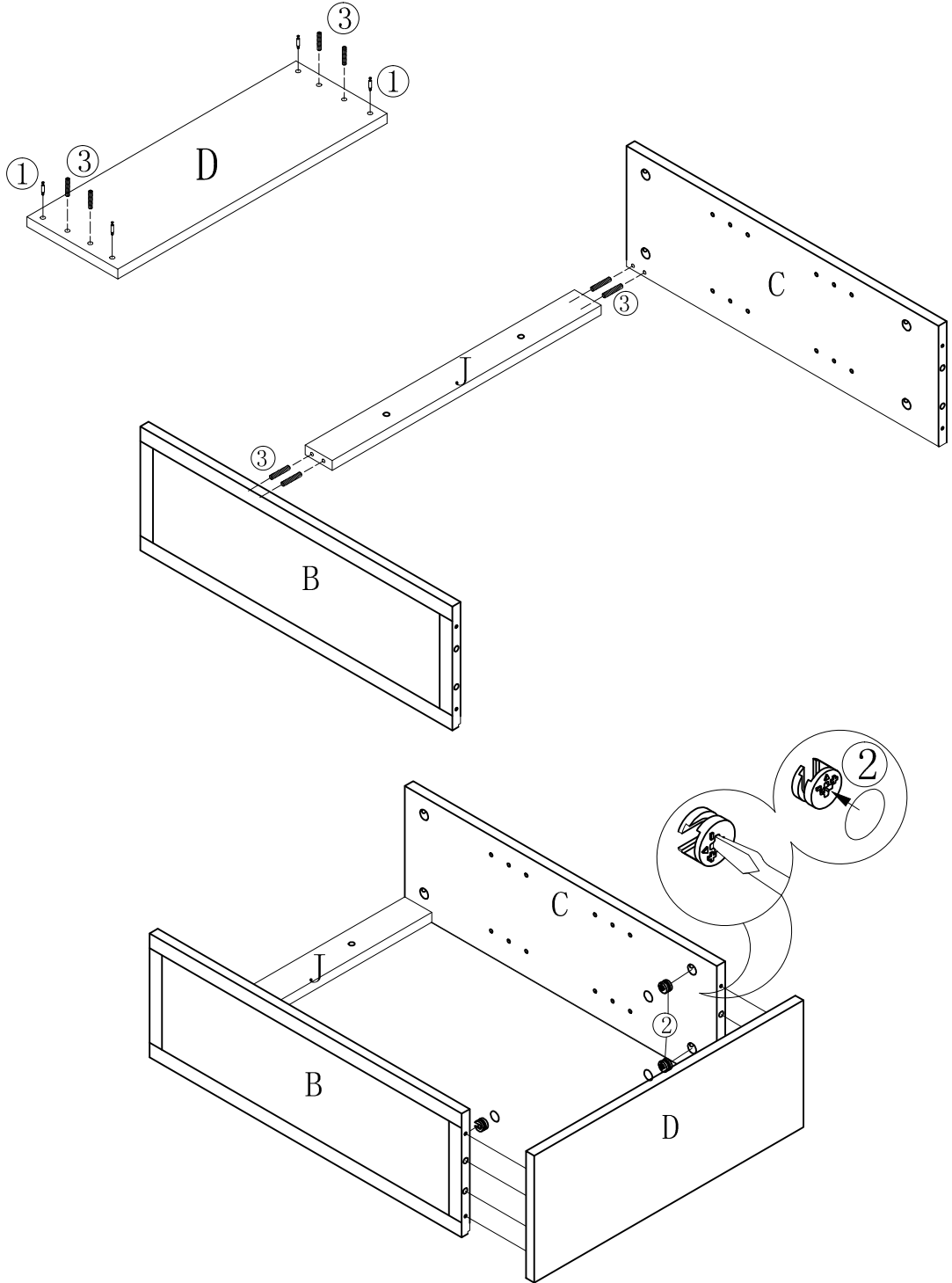
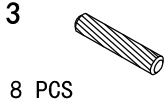
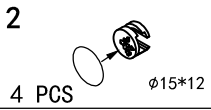
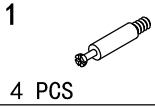
TWO PEOPLE FOR ASSEMBLING



WARNINGS:

1. DO NOT LET ANY SHARP OBJECTS TOUCH OR RUB THE SURFACE OF THE PRODUCT.
2. WHEN ASSEMBLING, DO NOT LET CHILDREN PLAY AROUND THE WORKING AREA.
3. PLEASE CONFIRM ALL PARTS ARE CORRECT BEFORE STARTING THE ASSEMBLY PROCESS.
4. DO NOT TIGHTEN ALL BOLTS AND SCREWS COMPLETELY UNTIL THE ENTIRE UNIT HAS BEEN ASSEMBLED AND SET UP.

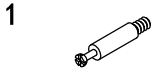
1



Step 1.

- 1.Screw cambolts (1) and insert dowels (3) to panel D.
- 2.Attach rail J to panels B & C with dowels (3).
- 3.Attach panel D to panels B & C and secure with camlocks (2).

2



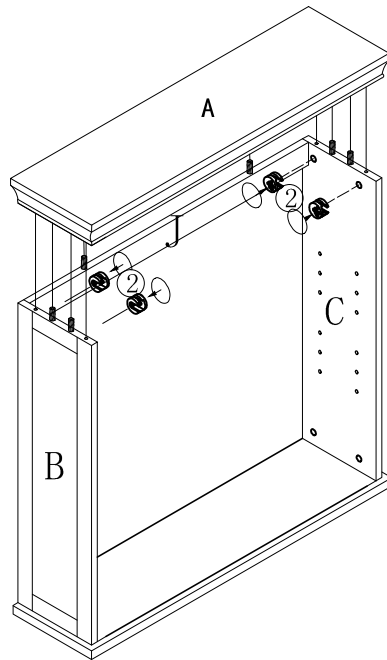
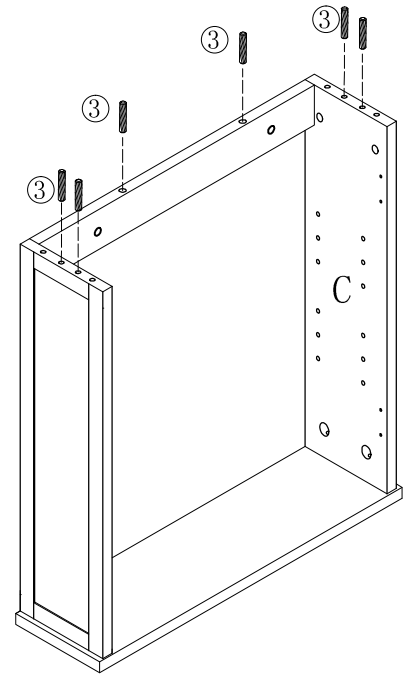
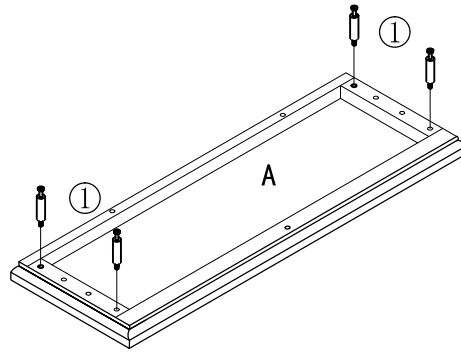
4 PCS



4 PCS



6 PCS



Step 2.

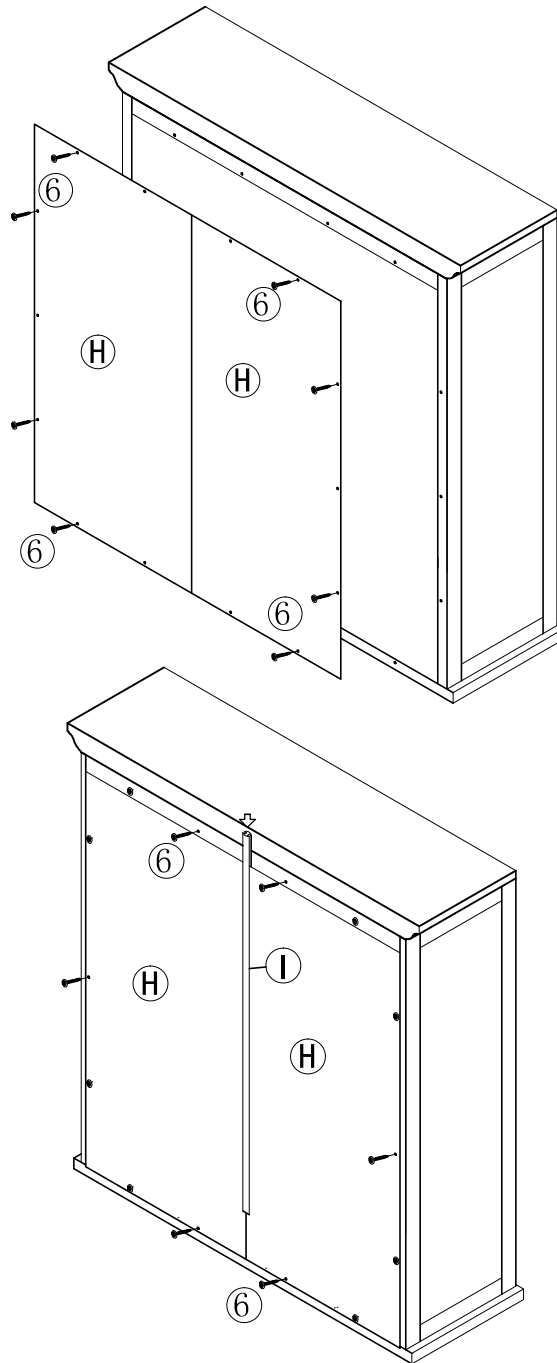
1. Screw cambolts (1) to panel A.
2. Insert dowels (3) to the tops of panels B & C and rail J.
3. Attach panel A to panels B & C and rail J and secure with camlocks (2).

3

6



14 PCS



Step 3.

1. Attach panels H to the back of the cabinet & secure the four corners with screws (6).
2. Insert plastic bar I between the two panel Hs and finish securing the panels with screws (6).

4

4



8 PCS $\varnothing 3 \times 12$

5



8 PCS

9

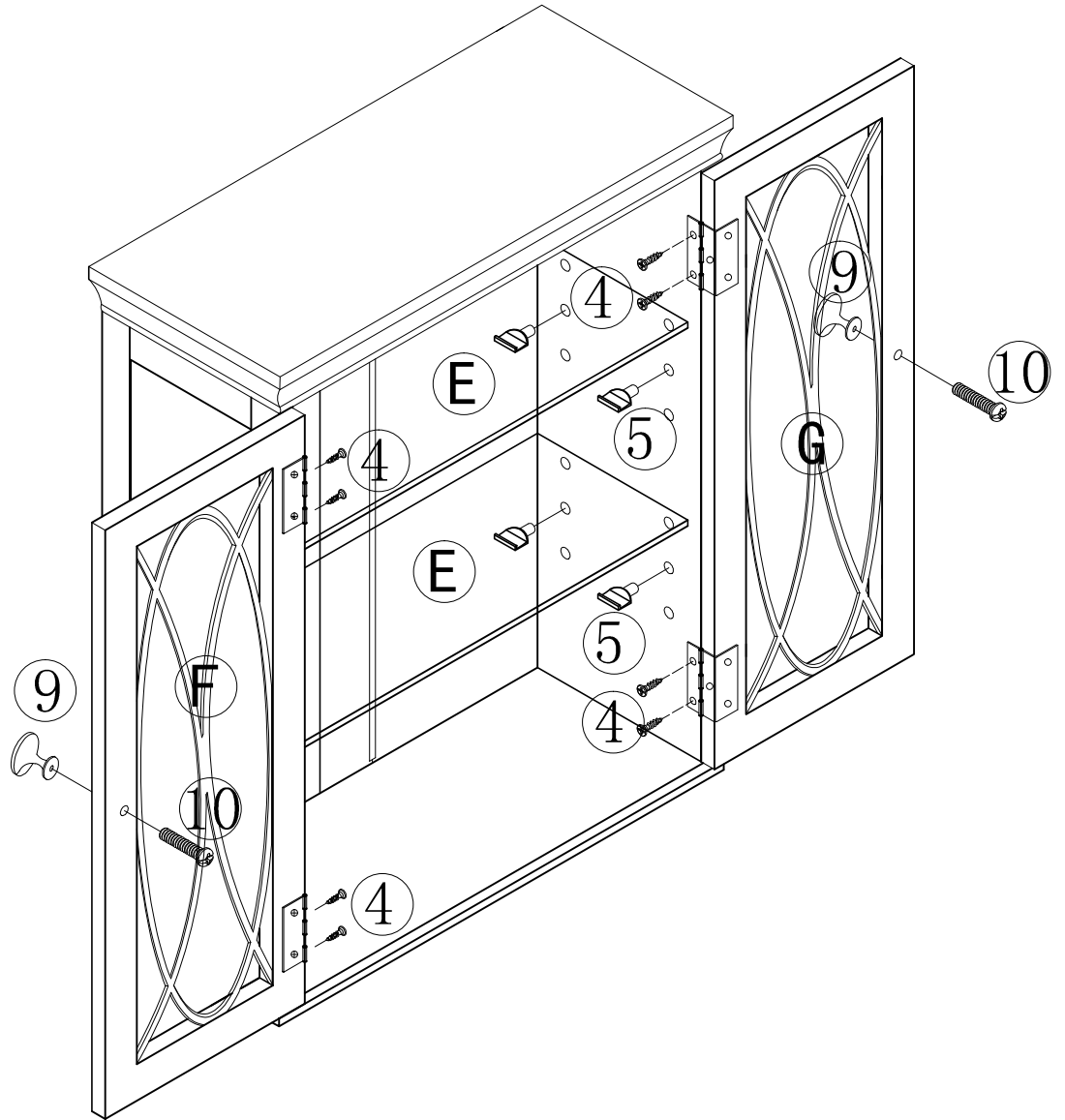


2 PCS

10



2 PCS



Step 4.

1. Attach doors F & G to panels B & C with screws (4).
2. Attach knob (9) to doors F & G with bolts (10).
3. Insert shelf pins (5) in panels B & C and rest the glass shelf E on the shelf pins.

5

7



2 PCS

Ø4*35

8



2 PCS

