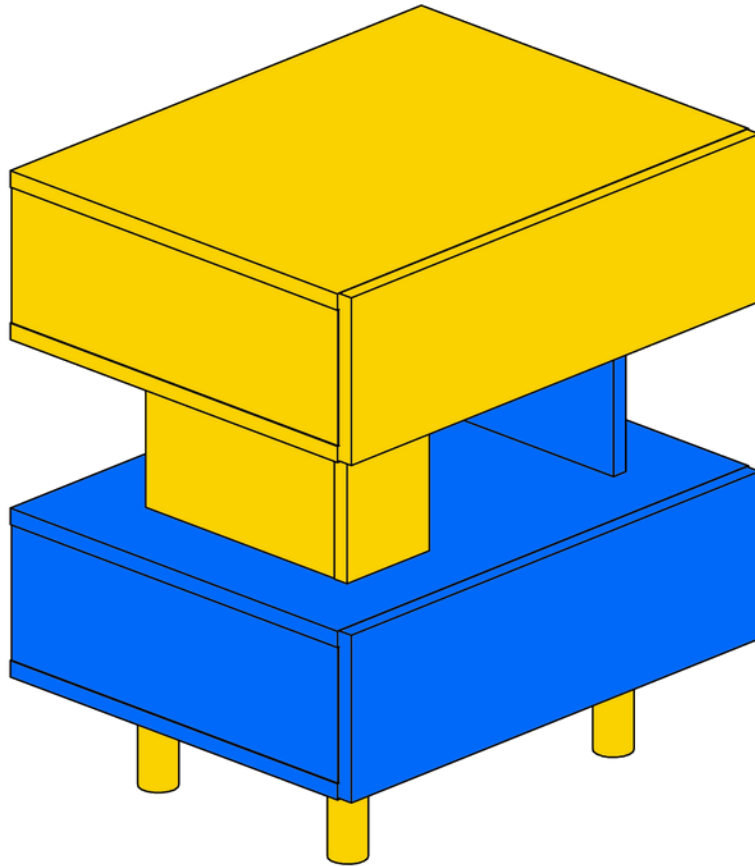


INSTRUCTION MANUAL



Attention :

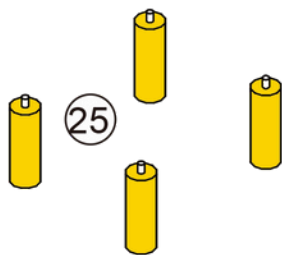
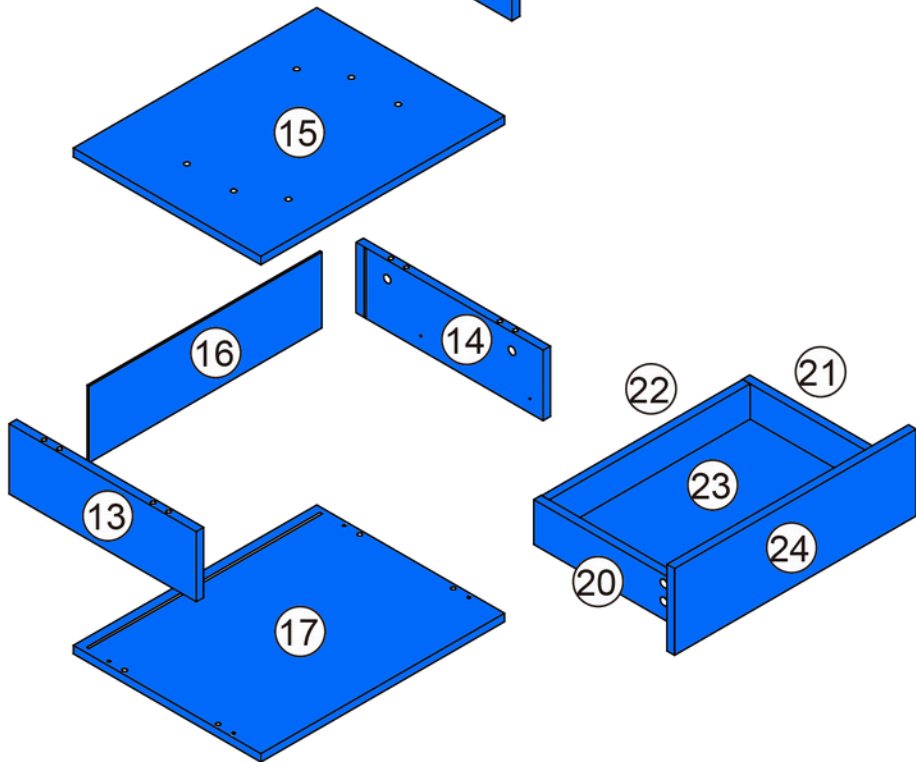
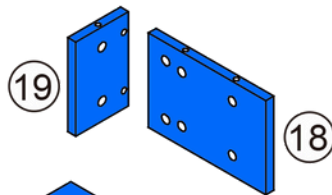
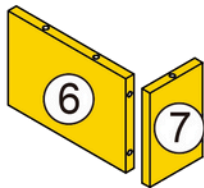
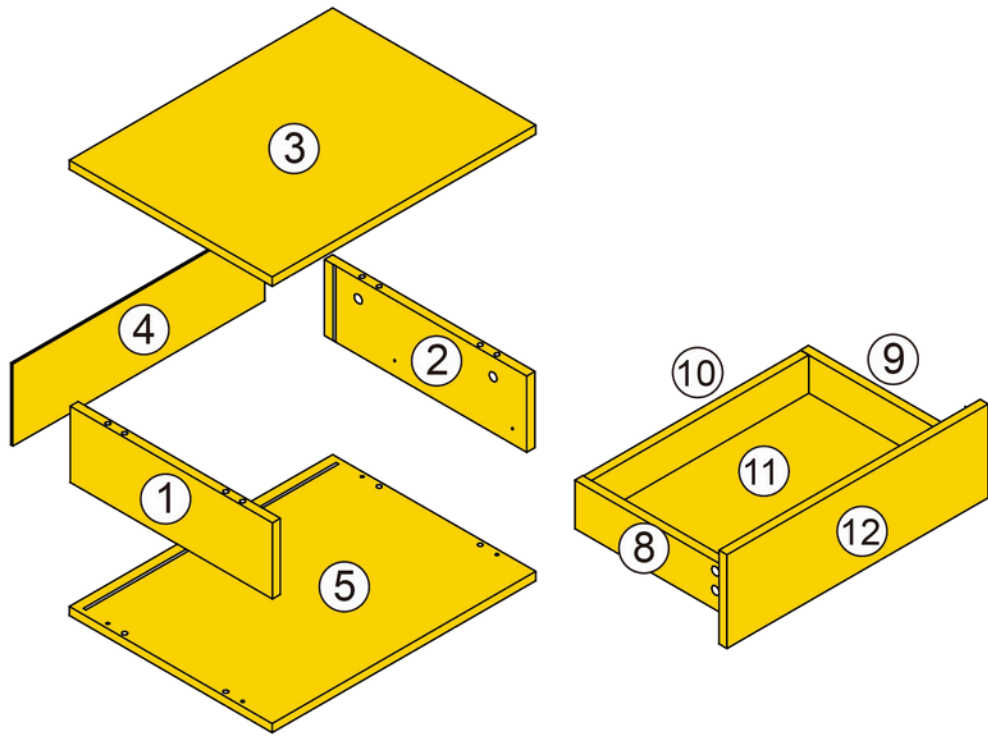
Thank you very much for your purchase.

When the number of your order is more than 1, we will split your order and ship the goods separately to ensure the safety.

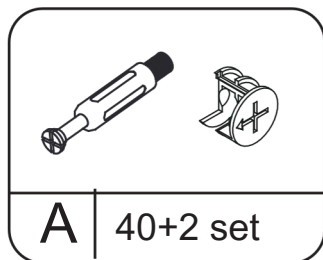
We promise to deliver at the same time, but the time of receipt may be slightly different due to logistics. Each tracking number corresponds to only one cargo, you can contact [\[redacted\]](#) for more logistics information.

Thanks again for your understanding.

PARTS LIST

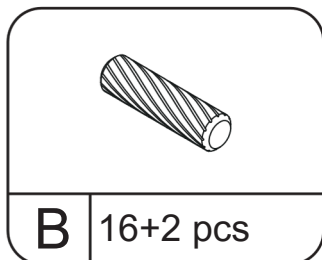


HARDWARE LIST



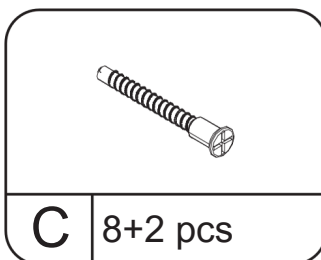
A 40+2 set

Cam Bolt & Cam Lock
F7*31 F15*11



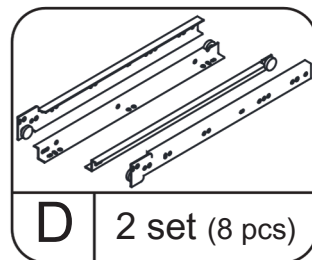
B 16+2 pcs

Wood Dowel
F8*30



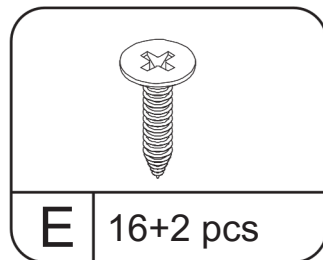
C 8+2 pcs

Screw
F5*40



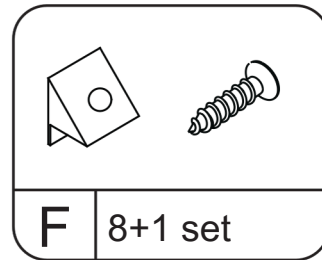
D 2 set (8 pcs)

Slide rail
F20*300



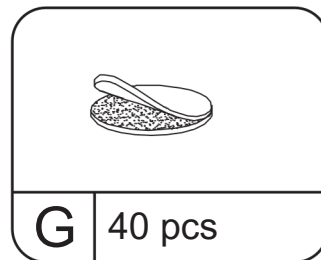
E 16+2 pcs

Screw
F3.5*14



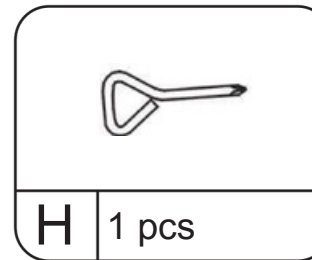
F 8+1 set

Rear panel hook & Screw
F3*14



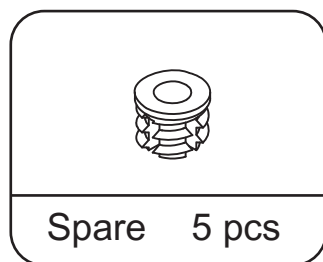
G 40 pcs

Hole cover
F20



H 1 pcs

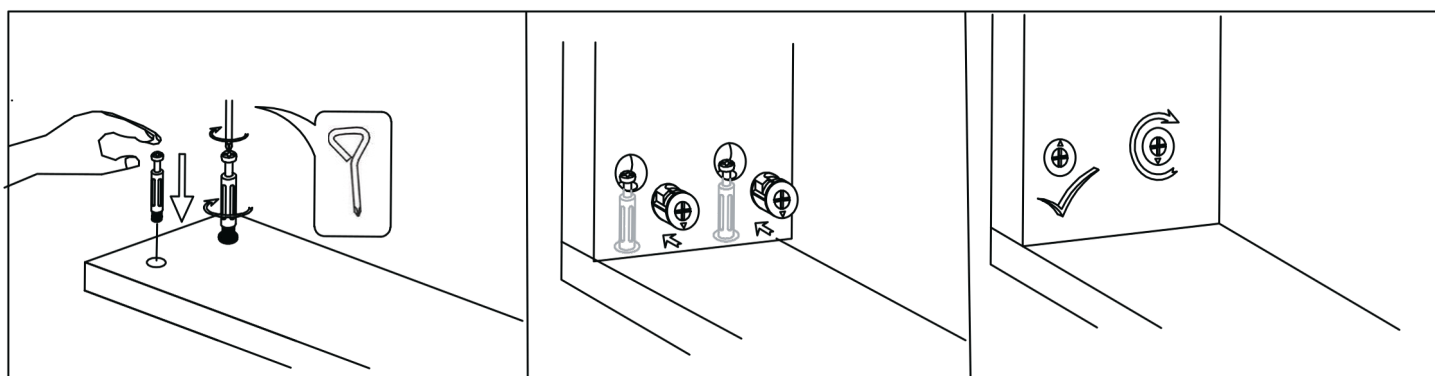
Screw driver



Spare 5 pcs

Insert nut
F10*11

If the nut is missing from the panel,
use a hammer to drive in the spare nut

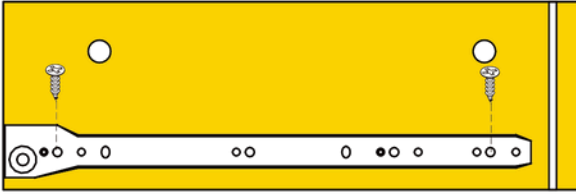


Attention:

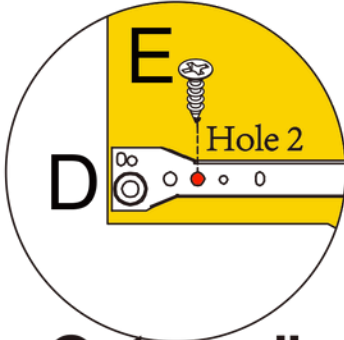
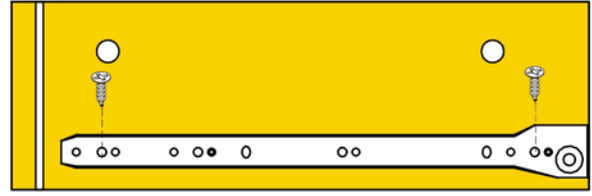
1. Please place the product on the carpet or carton to assemble to avoid scratching the floor;
2. During the installation process, keep away from children and pets, and avoid accidentally swallowing spare parts;
3. It is recommended to use a low-speed electric drill for installation.

Step 1

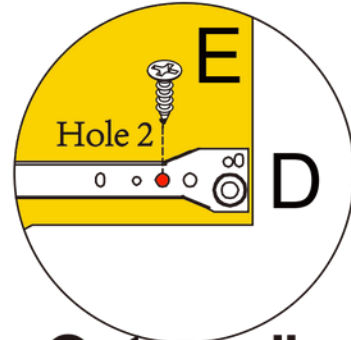
①



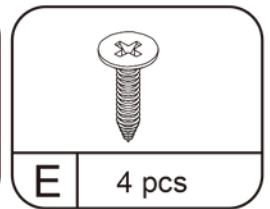
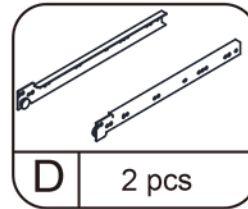
②



Outer rail

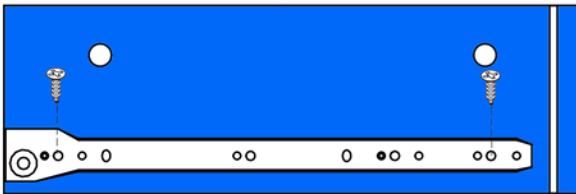


Outer rail

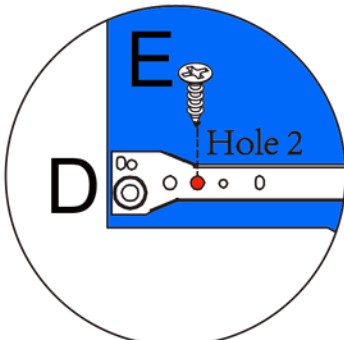
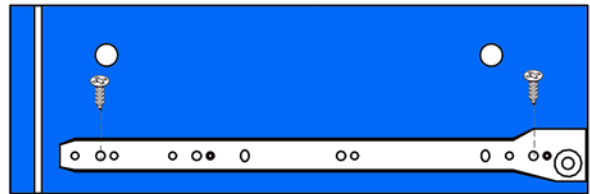


Step 2

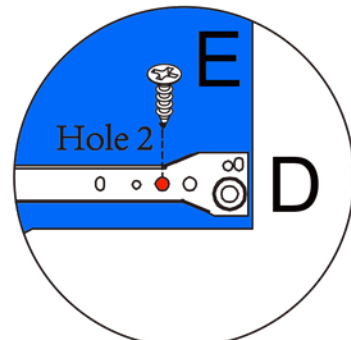
⑬



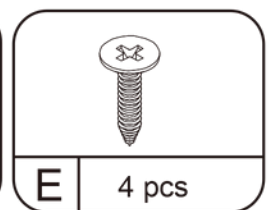
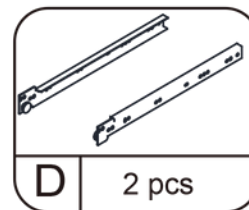
⑭



Outer rail

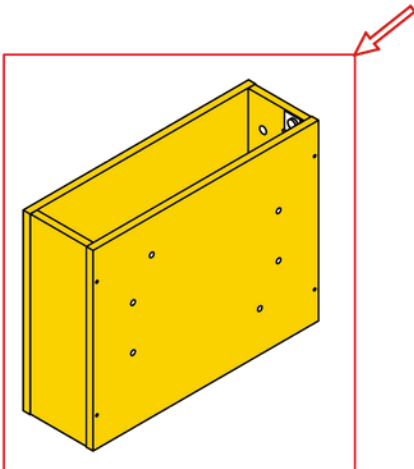
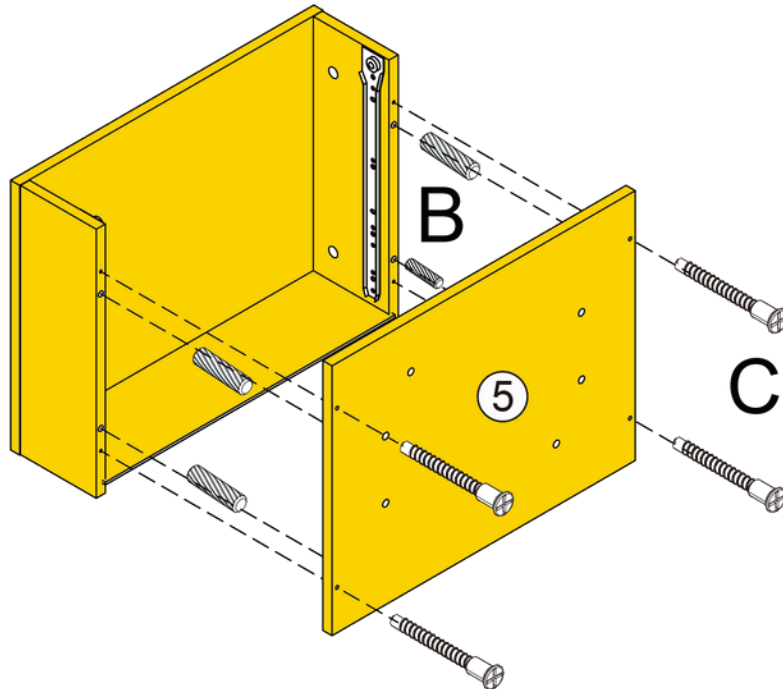
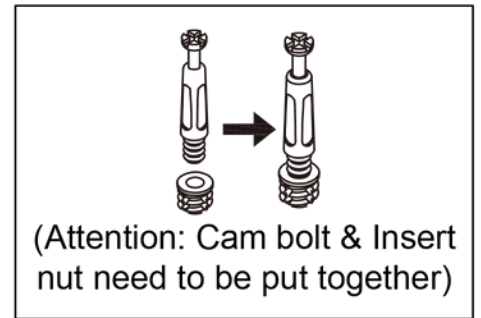
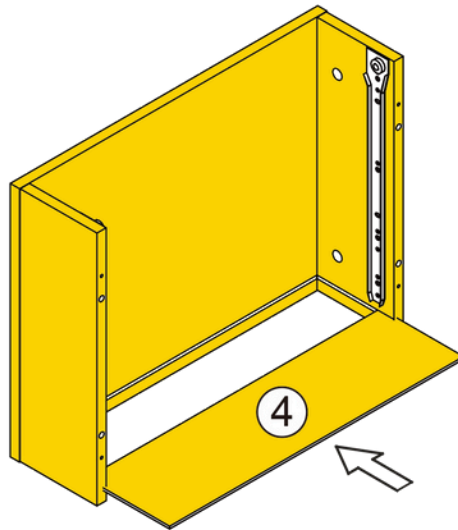
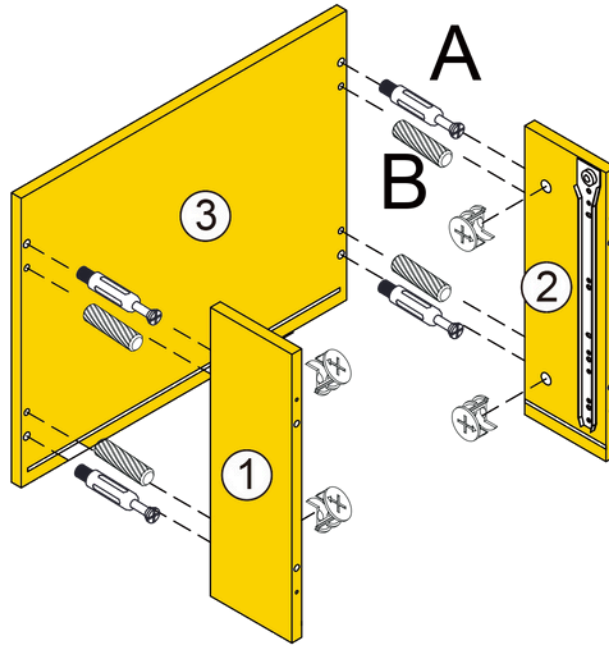


Outer rail

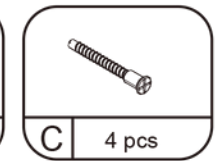
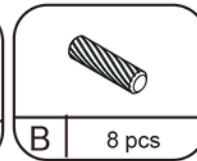
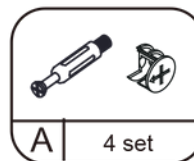


INSTRUCTION MANUAL

Step 3

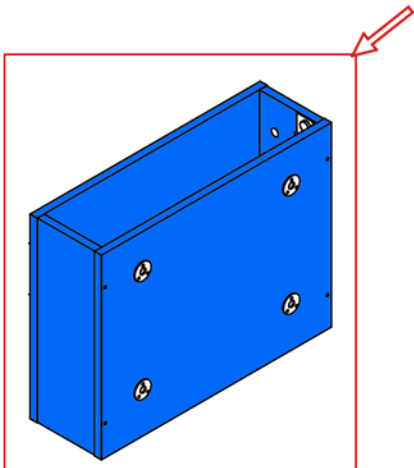
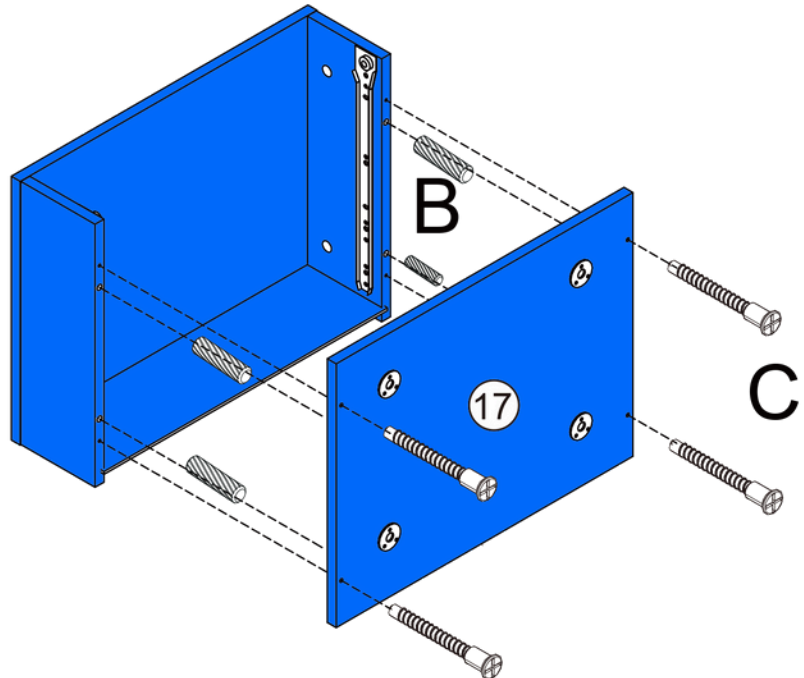
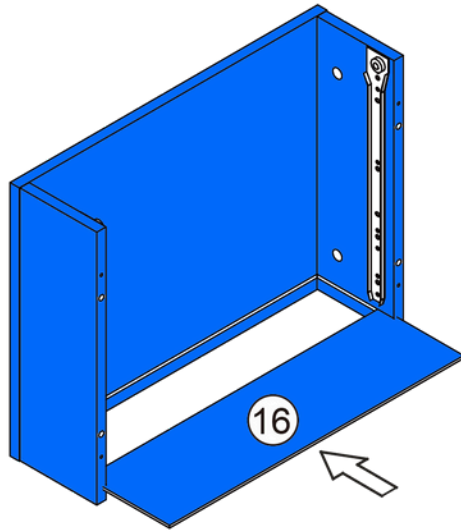
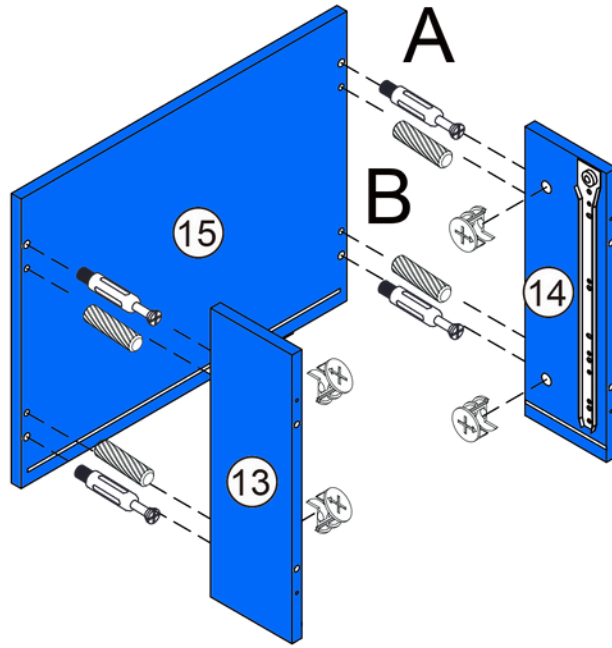


5

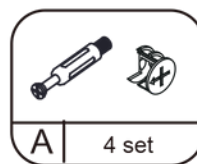


INSTRUCTION MANUAL

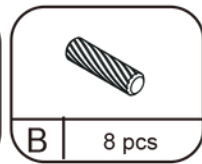
Step 4



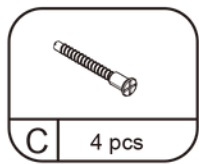
6



A 4 set



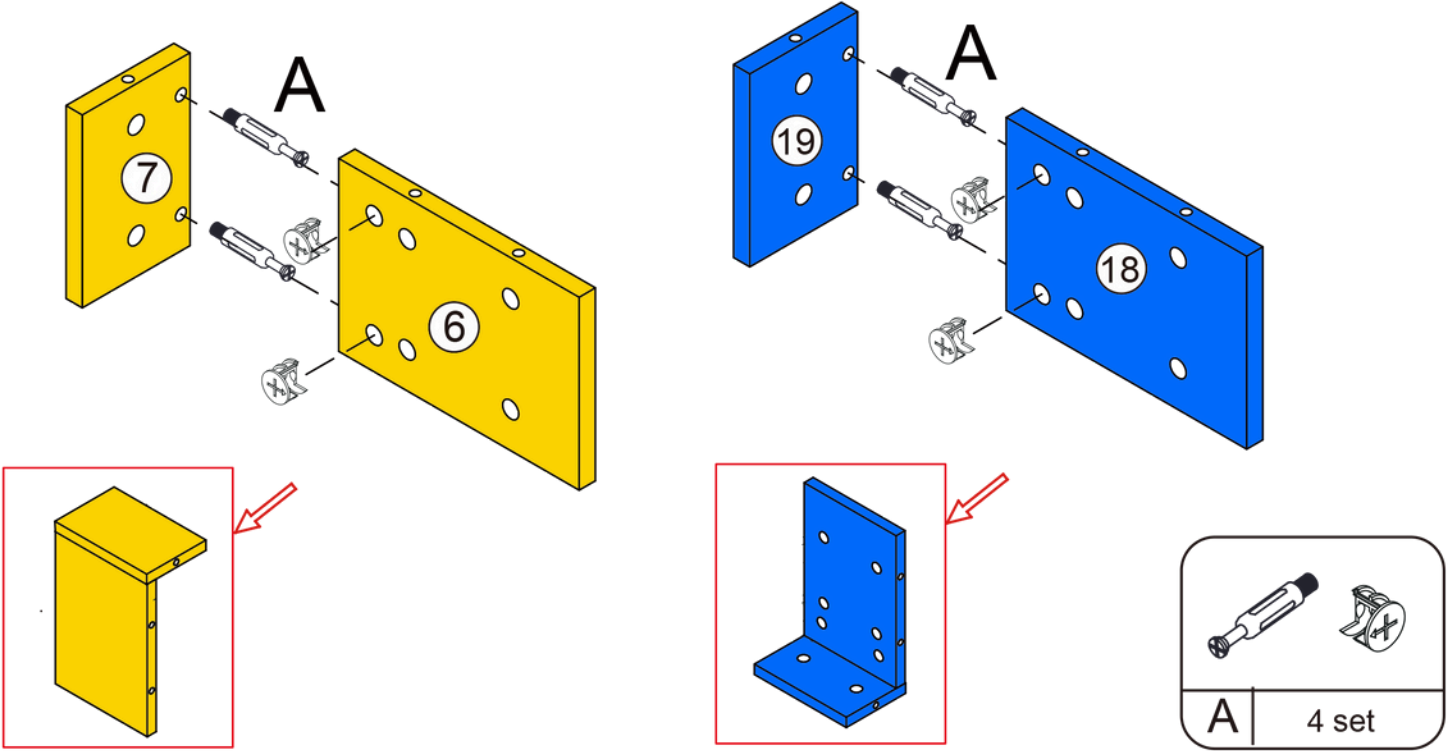
B 8 pcs



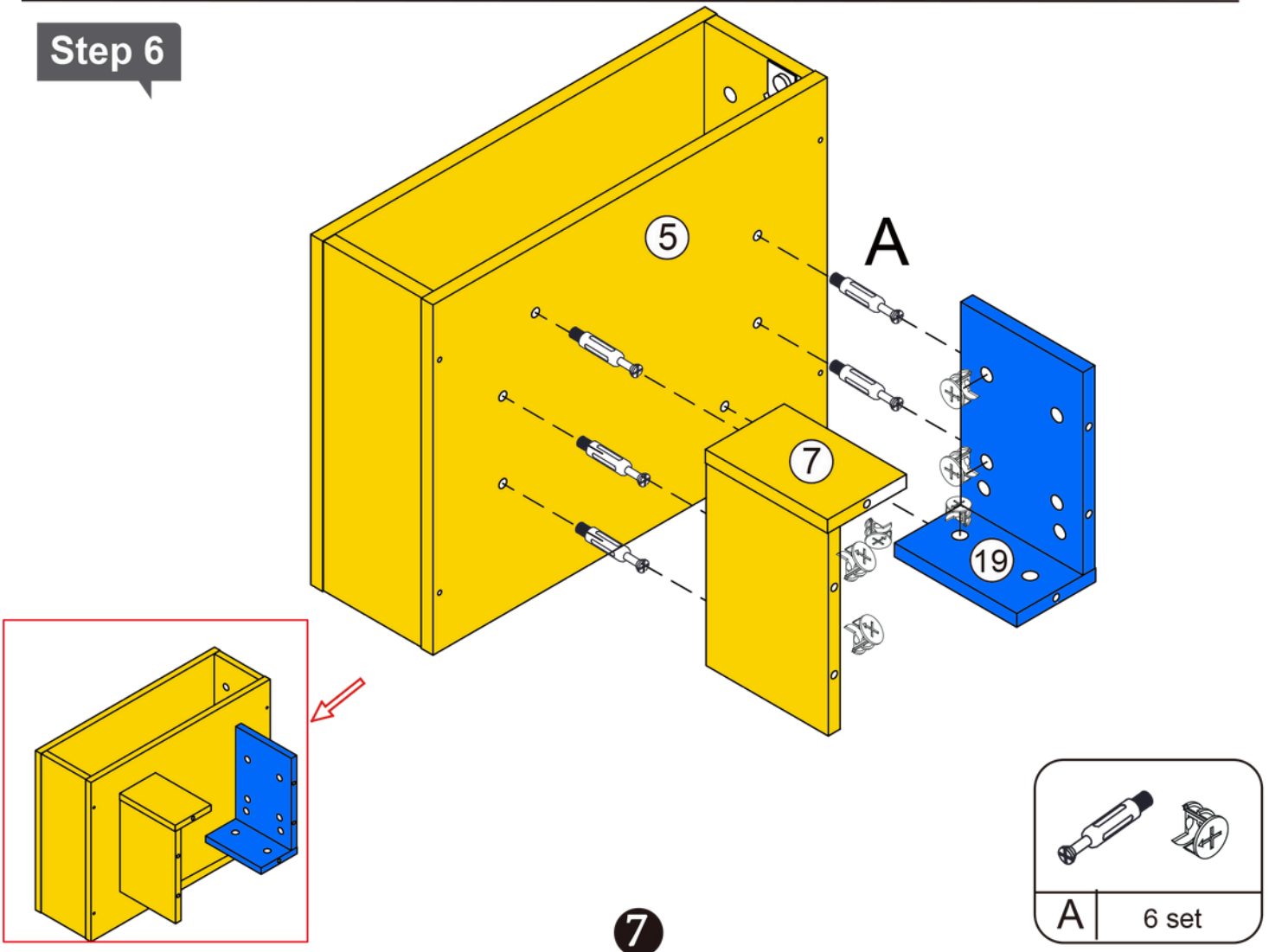
C 4 pcs

INSTRUCTION MANUAL

Step 5

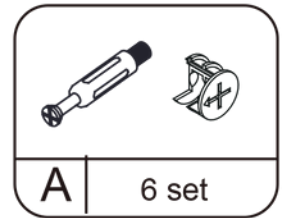
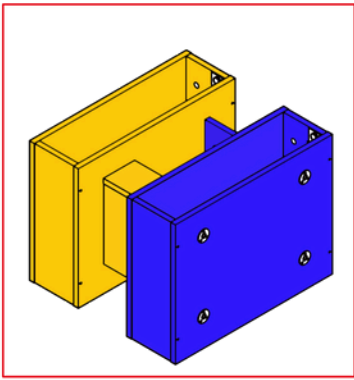
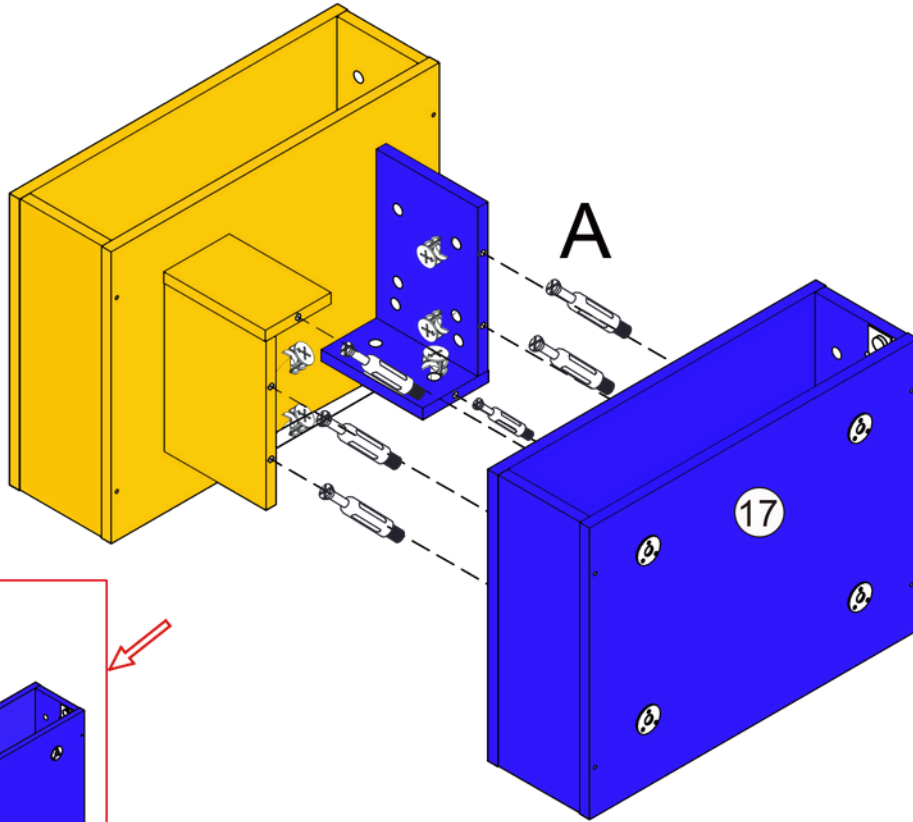


Step 6

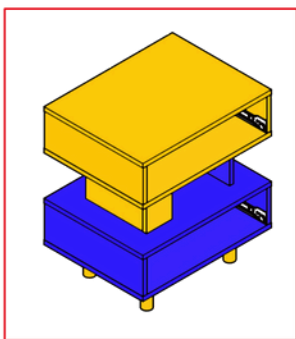
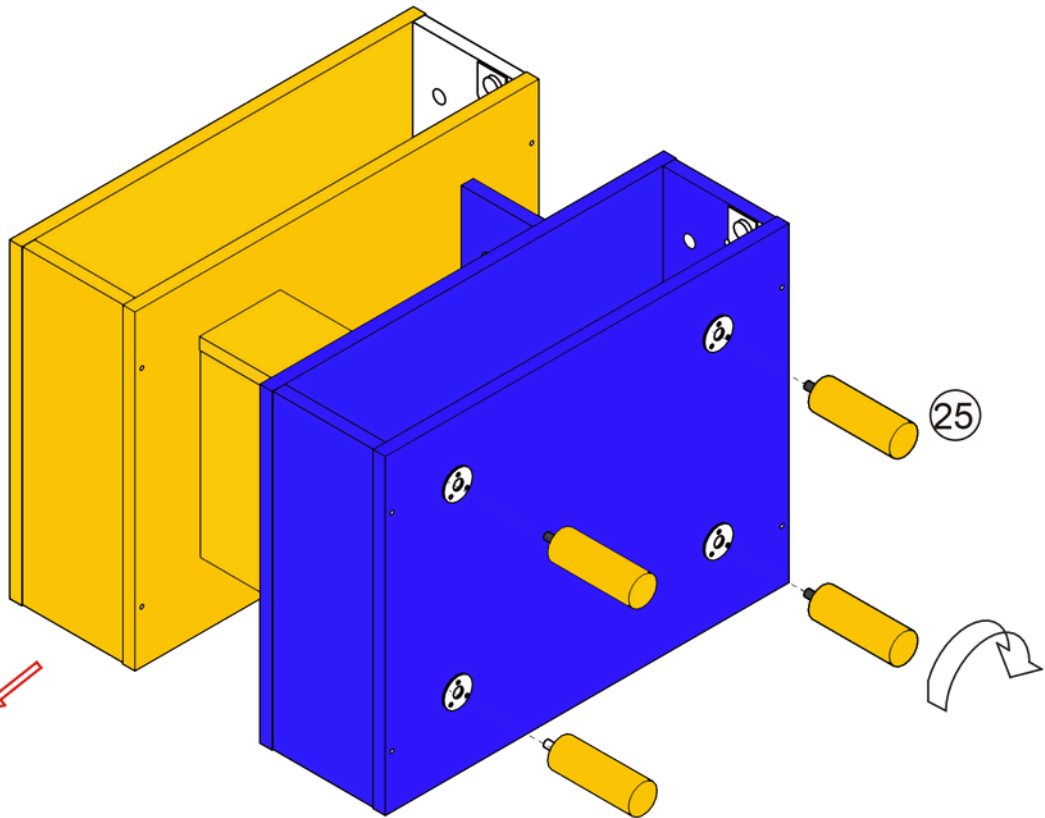


INSTRUCTION MANUAL

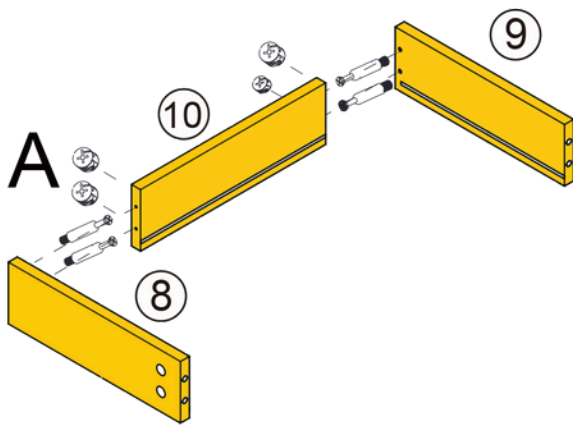
Step 7



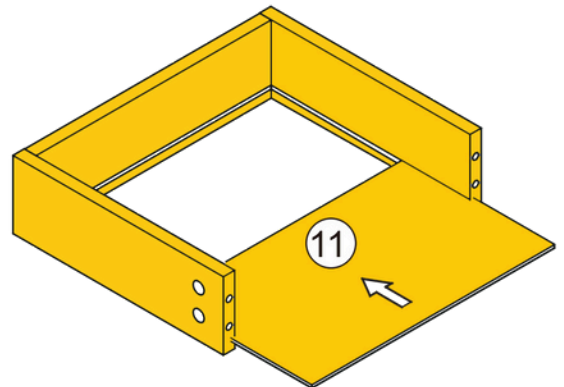
Step 8



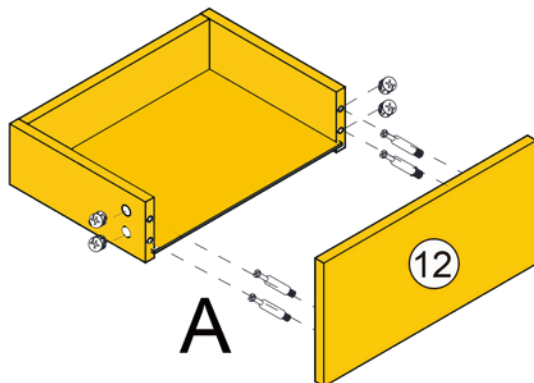
Step 9



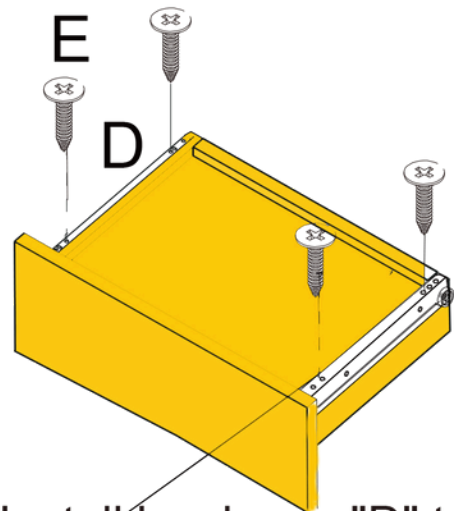
1. Connect part 8 & 9 to 10



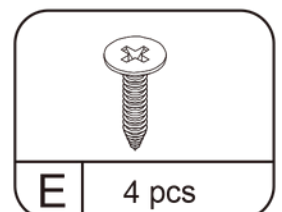
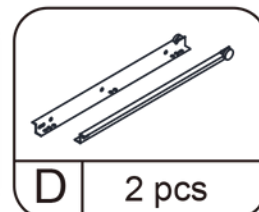
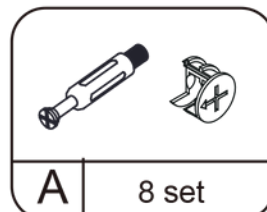
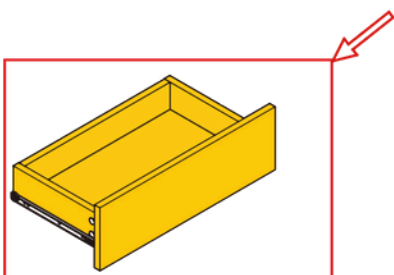
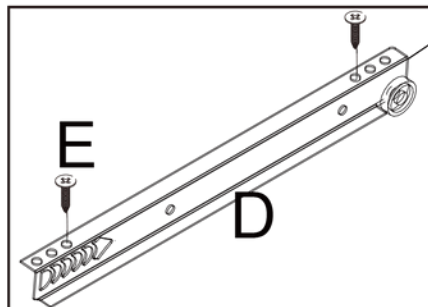
2. Insert part 11



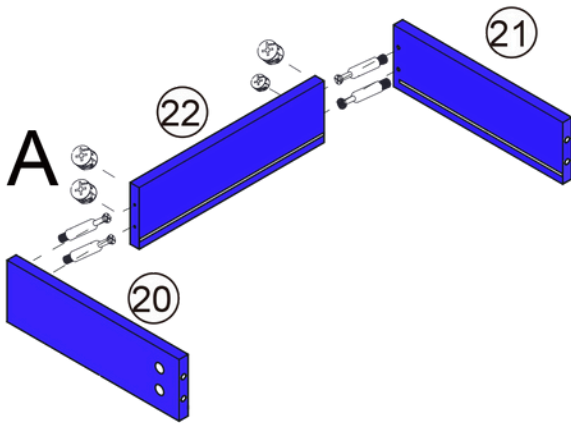
3. Connect Part 12



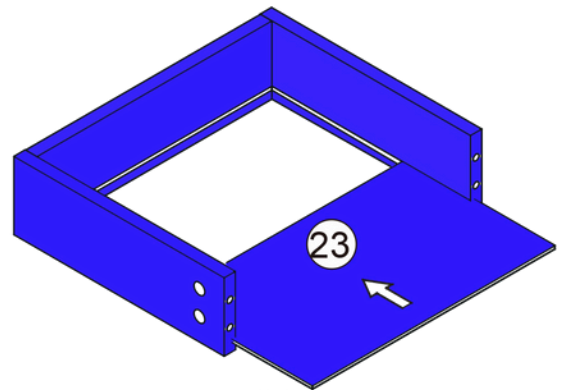
4. Install hardware "D" to part 8 & 9 according to the pre-drilled holes



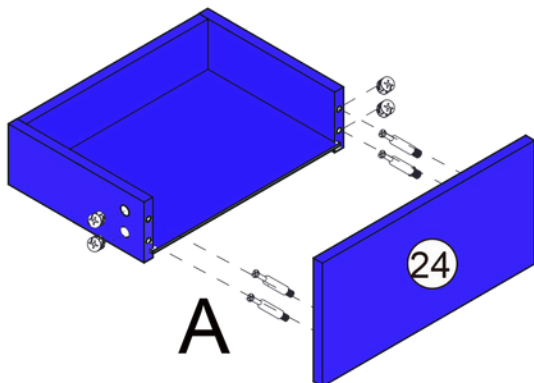
Step 10



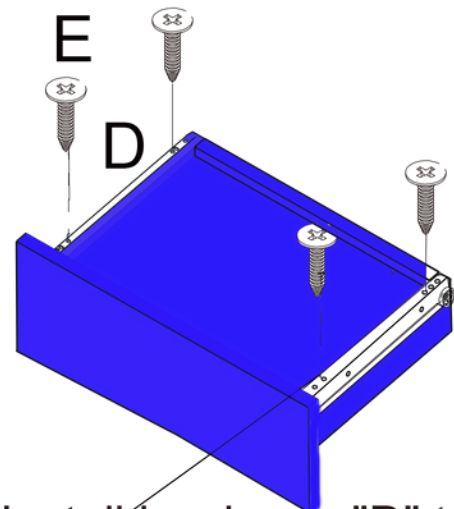
1. Connect part 20 & 21 to 22



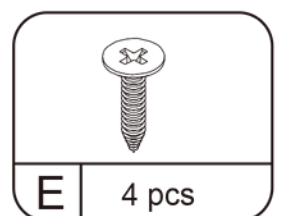
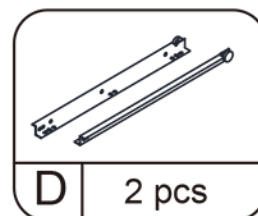
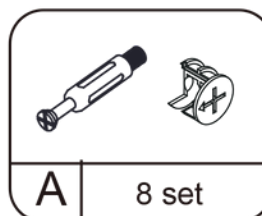
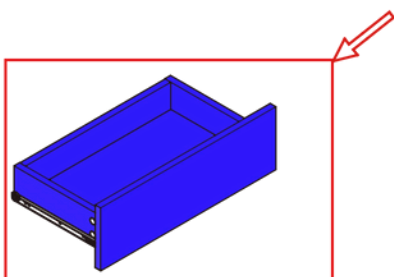
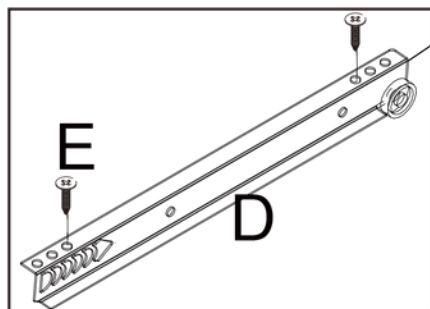
2. Insert part 23



3. Connect Part 24



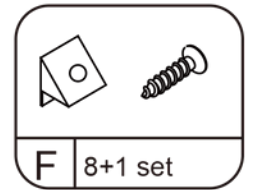
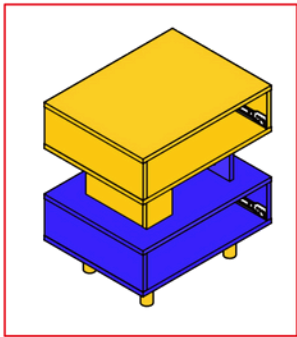
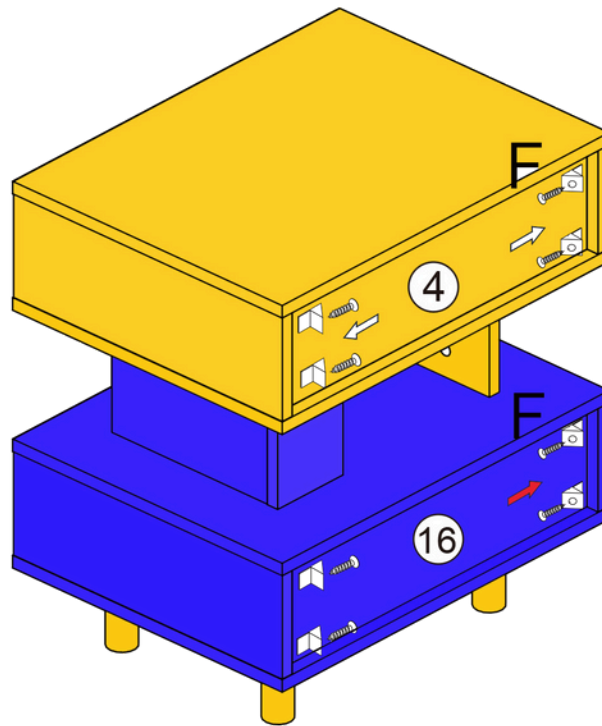
4. Install hardware "D" to part 20 & 21 according to the pre-drilled holes



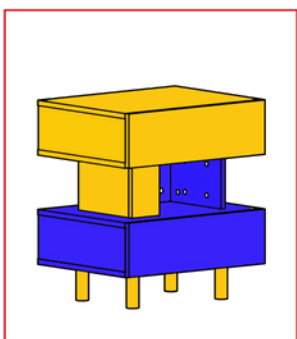
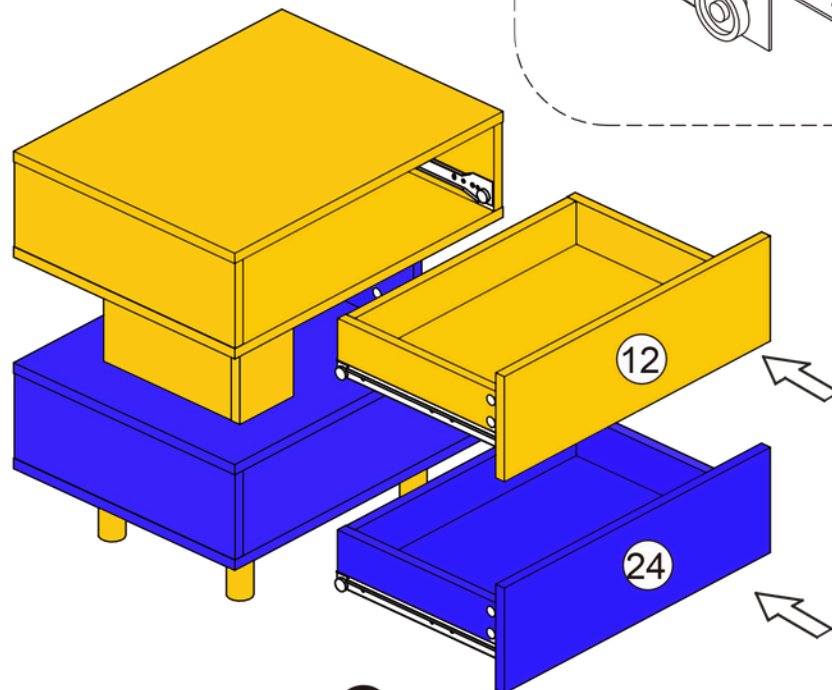
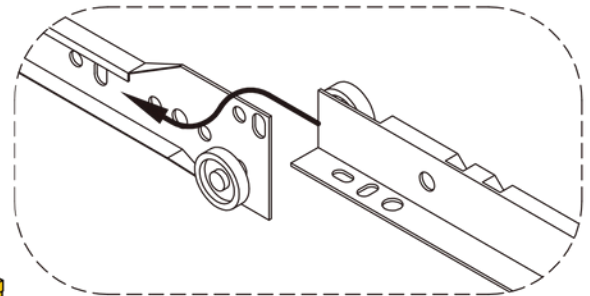
INSTRUCTION MANUAL

Step 11

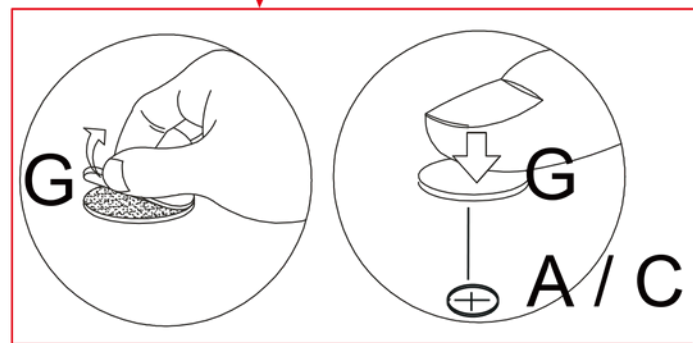
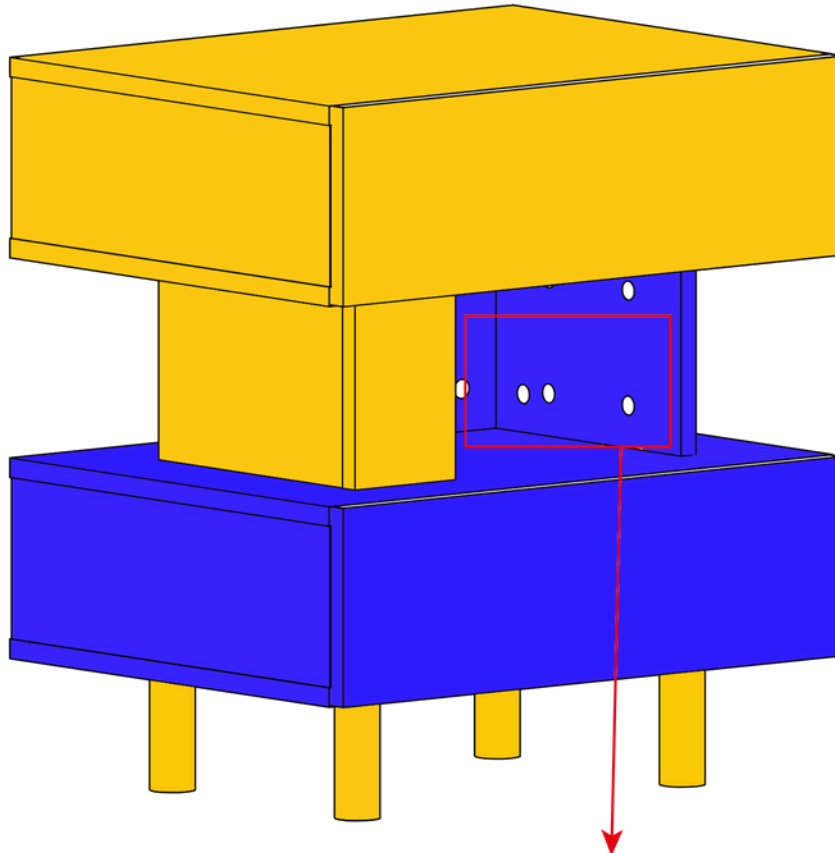
As the picture shows, Fix hardware "F" into the gap with screws to make the back panel more stable.



Step 12



Step 13



Please stick the hardware "G" on the exposed cam lock hole that makes your product more beautiful.

