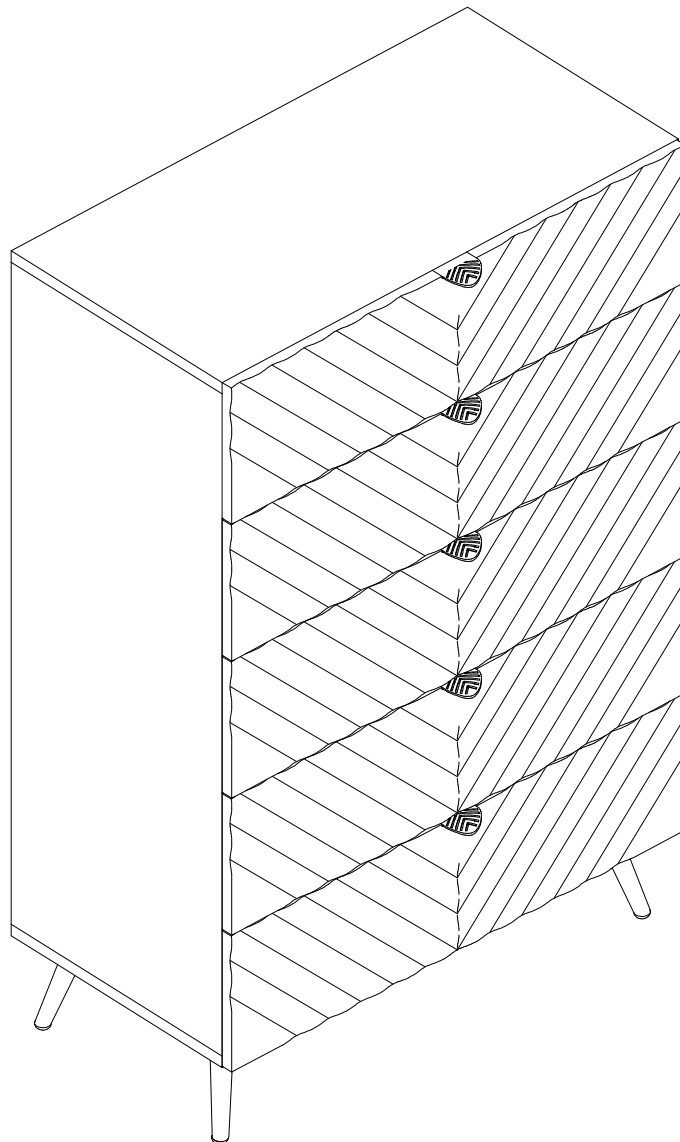


# ASSEMBLY INSTRUCTION FOR ACME FURNITURE

**MODEL#BD01038-1/BD01038-2/BD01044-1/BD01044-2/BD02666-1/BD02666-2**

Thank you for purchasing the quality product. Be sure to check all packing material carefully for small parts which may have come loose inside the carton during shipment. Separate, identify and count all parts and metal hardware. Compare with all parts list to be sure all parts are present. If any part(s) are missing or damaged, please contact your local furniture dealer. For efficient and speedy service, please indicate the model number and code letter of part(s) needed.

**\*\*\*Do not fully tighten screws until fully assembled\*\*\***

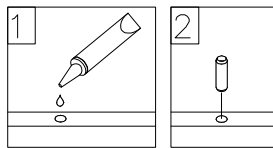


## **Attention:**

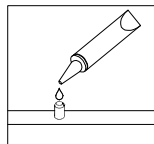
**\*\*\*Some number parts listed on the instruction sheet may not be in parts bag as they may already be assembled. Carefully check parts and packing materials prior to ordering replacements.**

# General Assembly Guidelines

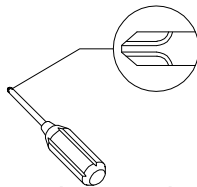
- I. Ensure that all parts and hardware are available before beginning assembly.
- II. Follow each step carefully to ensure the proper assembly of this product.
- III. Two people are recommended for ease in the assembly of this product.
- IV. The three main types of hardware used to assemble this product are: wood dowels, screws and bolts.
- V. The provided glue is to secure wood dowels in place. When first inserting dowels, locate the appropriate hole for the dowel, place a small amount of glue in the hole and insert the dowel. Wipe away excess glue immediately.



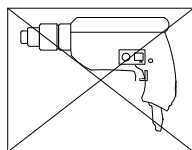
In future assembly steps when dowels are necessary to attach assembly parts together, place a small amount of glue on the end of the dowel before attaching parts together. Wipe away excess glue immediately.



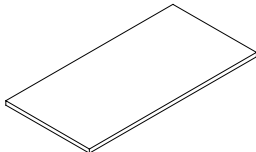
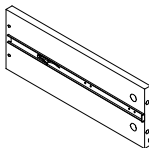
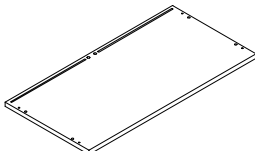
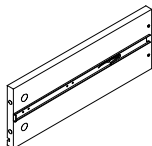
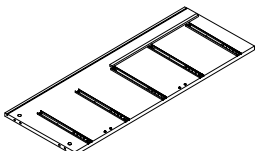
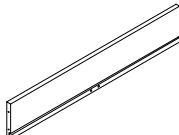
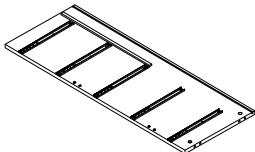
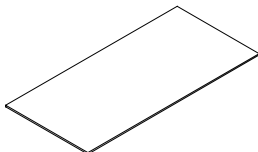
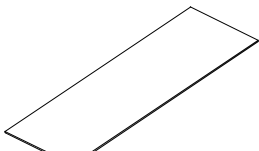
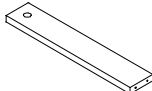
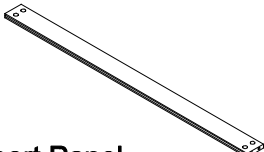
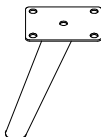
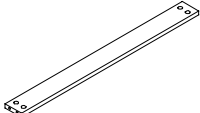
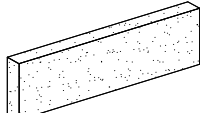
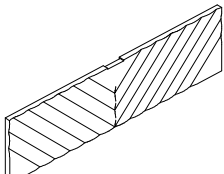
- VI. A Phillips head screwdriver is required for the assembly of this product.









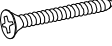



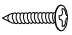

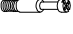



- VII. Power tools should not be used to assemble this product.

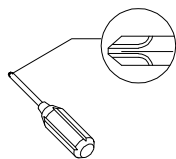


# COMPONENT PARTS

DESCRIPTION	PART NAME	QTY(PCS)	DESCRIPTION	PART NAME	QTY(PCS)
①	 Table Top	1	⑨	 Drawer Side Panel(L)	5
②	 Table Bottom	1	⑩	 Drawer Side Panel(R)	5
③	 Left Side Panel	1	⑪	 Drawer Back Panel	5
④	 Right Side Panel	1	⑫	 Drawer Bottom Panel	5
⑤	 Back Panel	2	⑬	 Support Panel	5
⑥	 Support Panel	1	⑭	 Metal Legs	4
⑦	 Support Panel	2	⑮	 Counterweight	3
⑧	 Drawer Front Panel	5			

# Hardware List

A		Ø8x30mm	Wooden dowel	8 pcs
B		Ø6x35mm	Cam bolt	16 pcs
C		Ø15x11mm	Cam lock	16 pcs
D			Sticker	33 pcs
E		Ø6x50mm	Screw	4 pcs
F		4mm	Allen Key	1 pcs
H		Ø4x30mm	Screw	30 pcs
I			Glue tube	1 pcs
K			Plastic wedge	10 pcs
L		Ø3x16mm	Screw	10 pcs
M		Ø4x16mm	Screw	16 pcs
N			Handle	5 pcs
O		Ø6x32mm	Cam bolt	25 pcs
P		Ø15x9mm	Cam lock	25 pcs
Q		Ø3x14mm	Screw	10 pcs
R				2 pcs



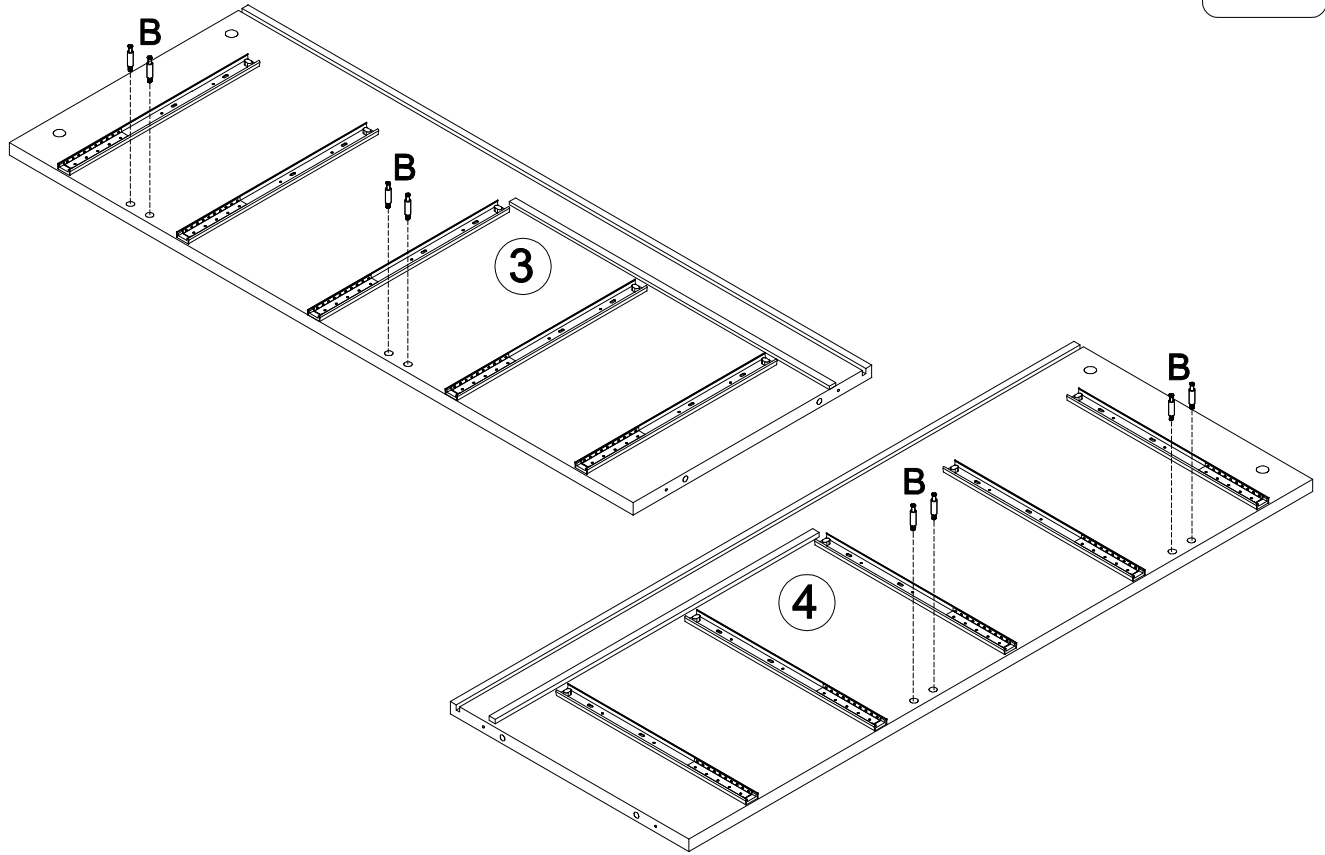
Philips head screwdriver required for assembly  
(not included)

*The hardware quantities listed above are required for proper assembly.  
Some extra hardware may also have been included.*

# Step 1

B x 8

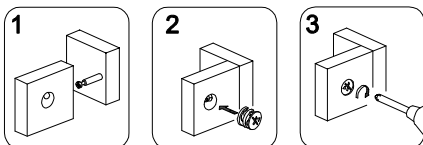
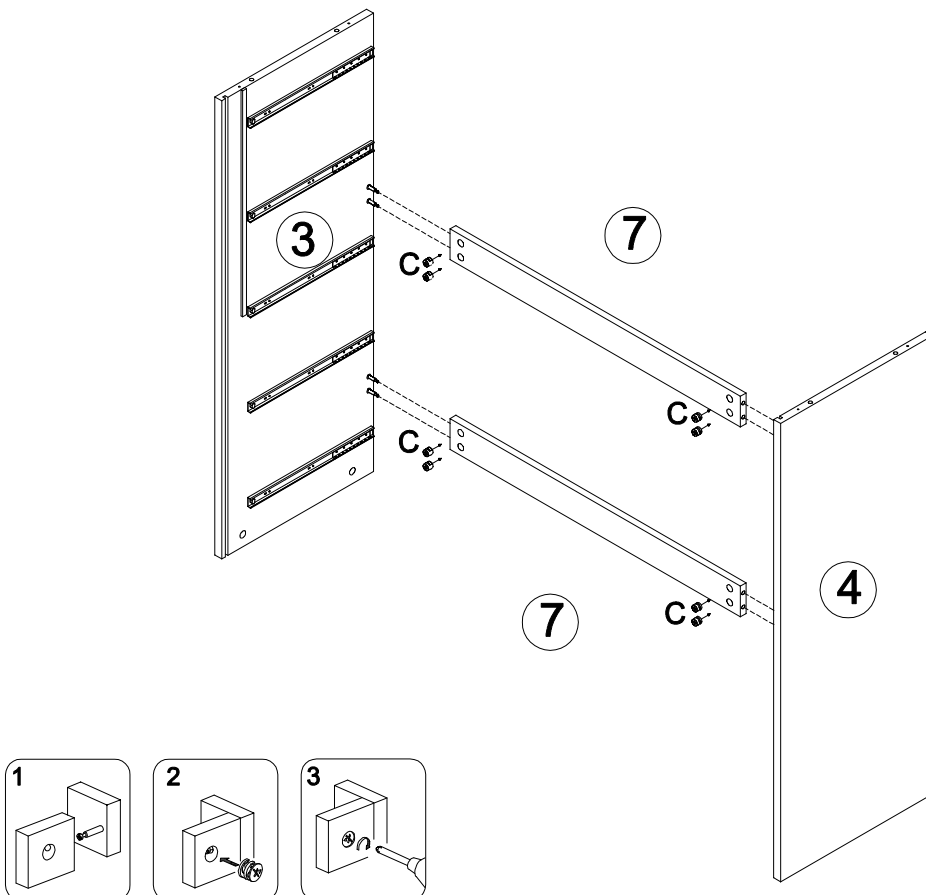
Ø6x35mm



# Step 2

C x 8

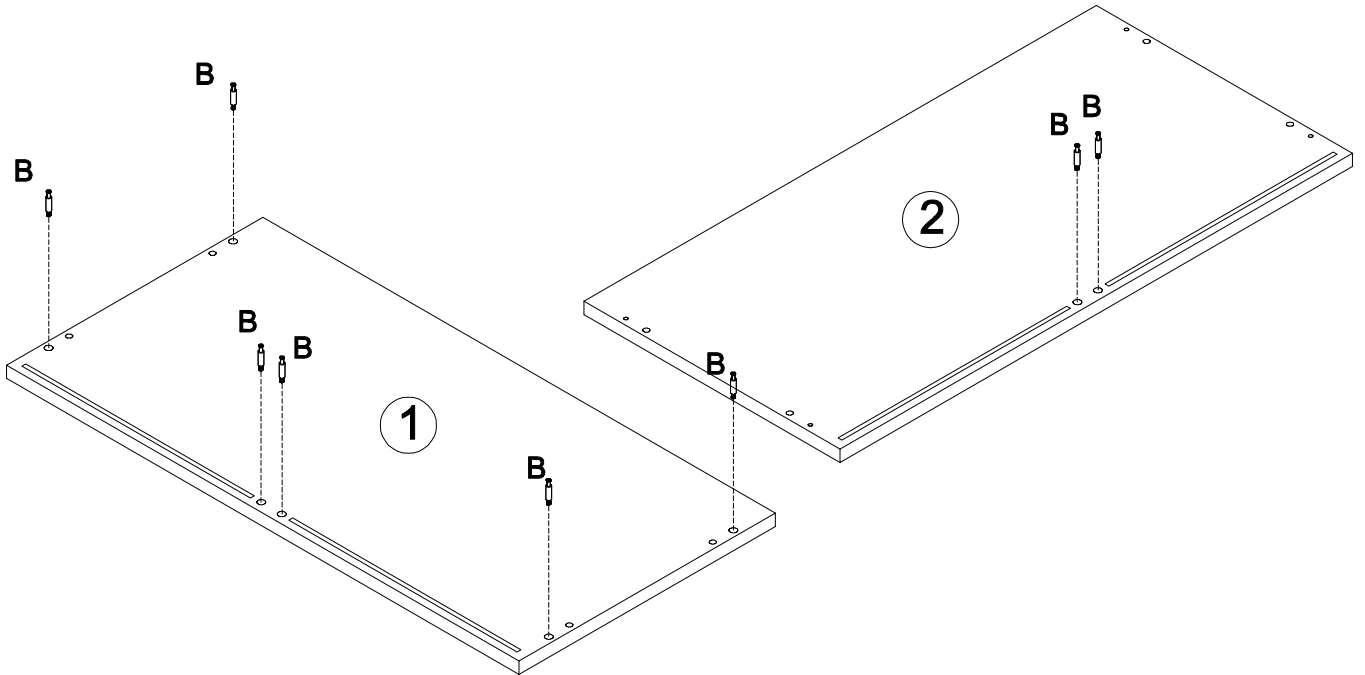
Ø15x11mm



# Step 3

B x 8

Ø6x35mm



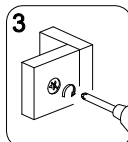
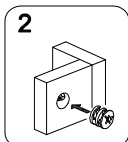
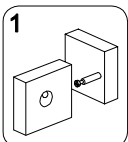
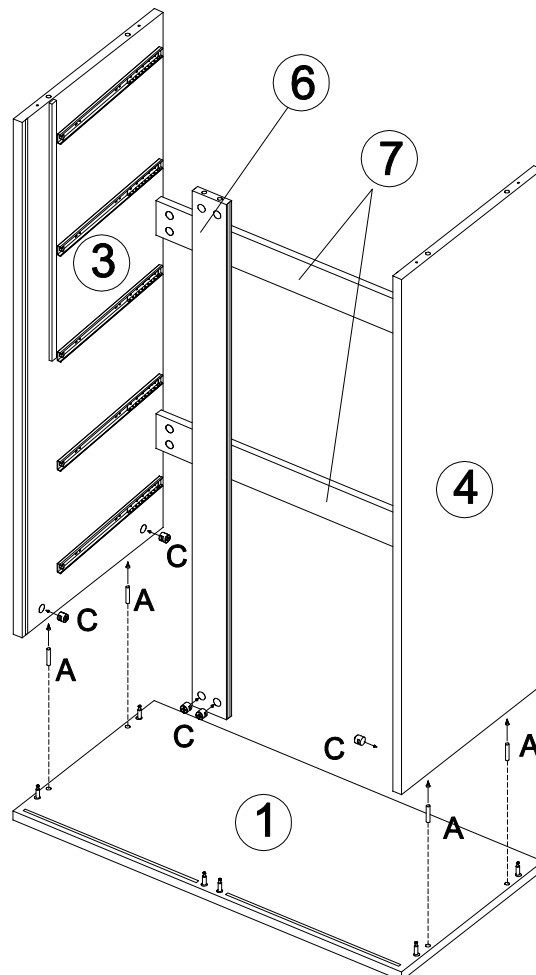
# Step 4

A x 4

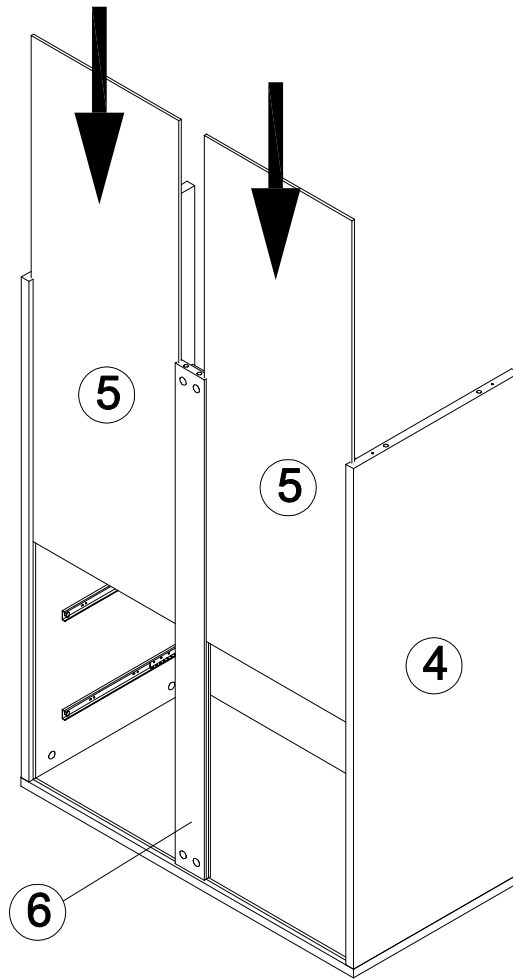
Ø8x30mm

C x 6





Ø15x11mm

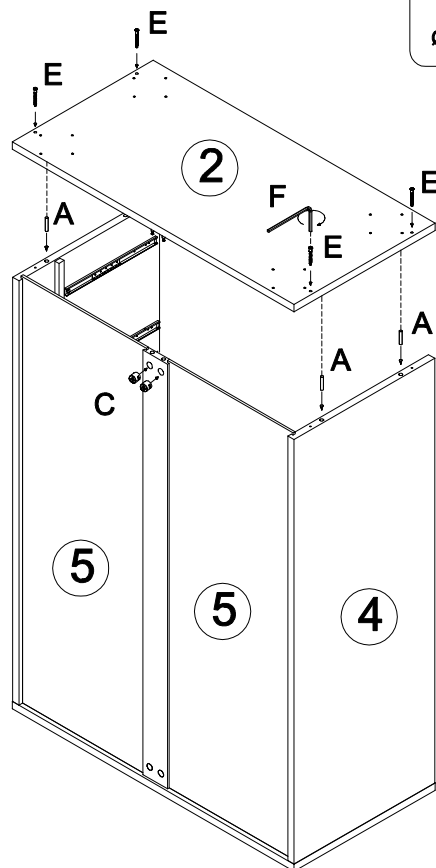


# Step 5




# Step 6

<b>A x 4</b>  Ø8x30mm	<b>C x 2</b>  Ø15x11mm	<b>E x 4</b>  Ø6x50mm	<b>F x 1</b>  4mm
---	---	--	--

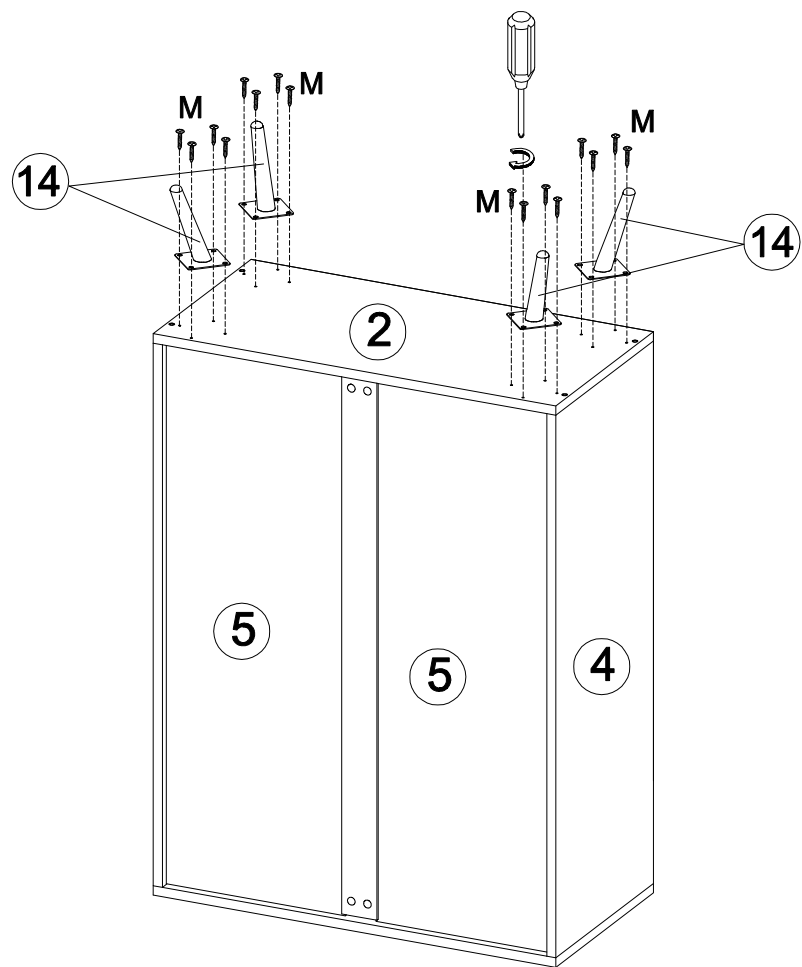


# Step 7



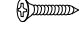
M x 16

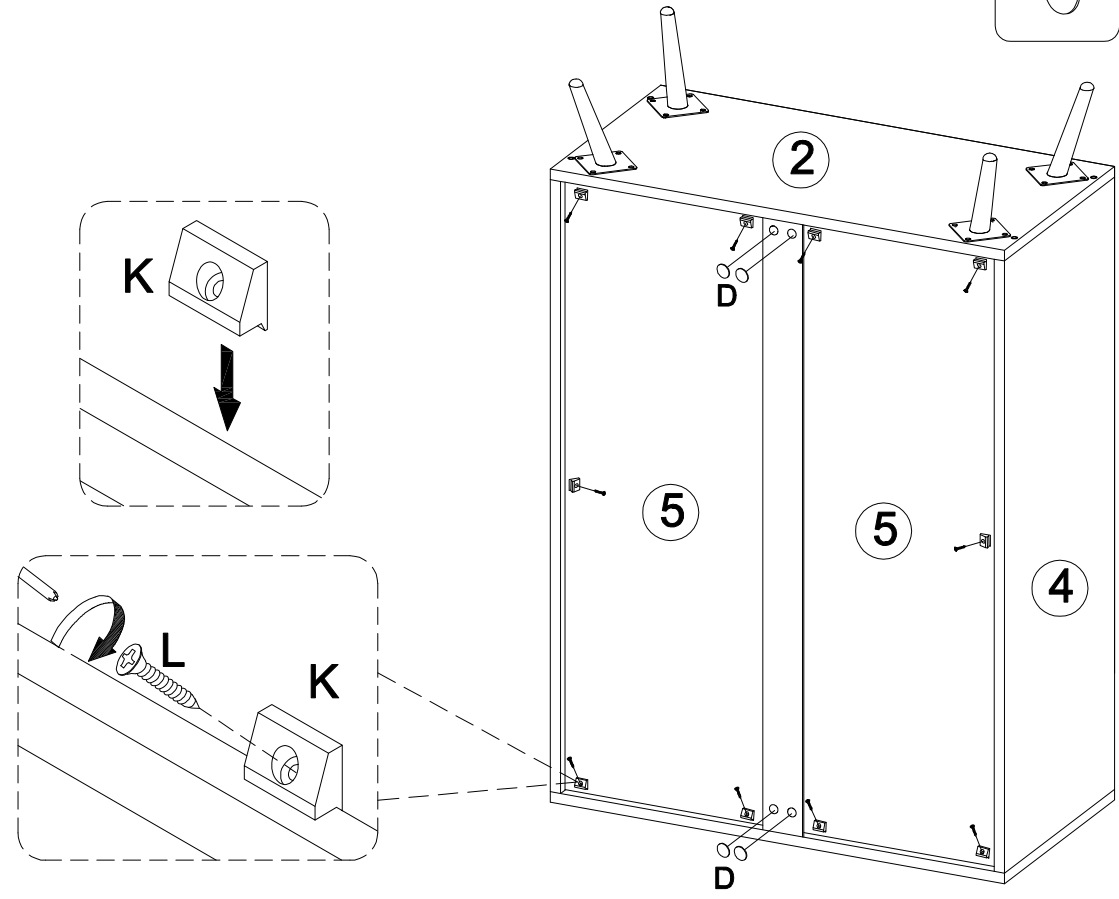


Ø4x16mm



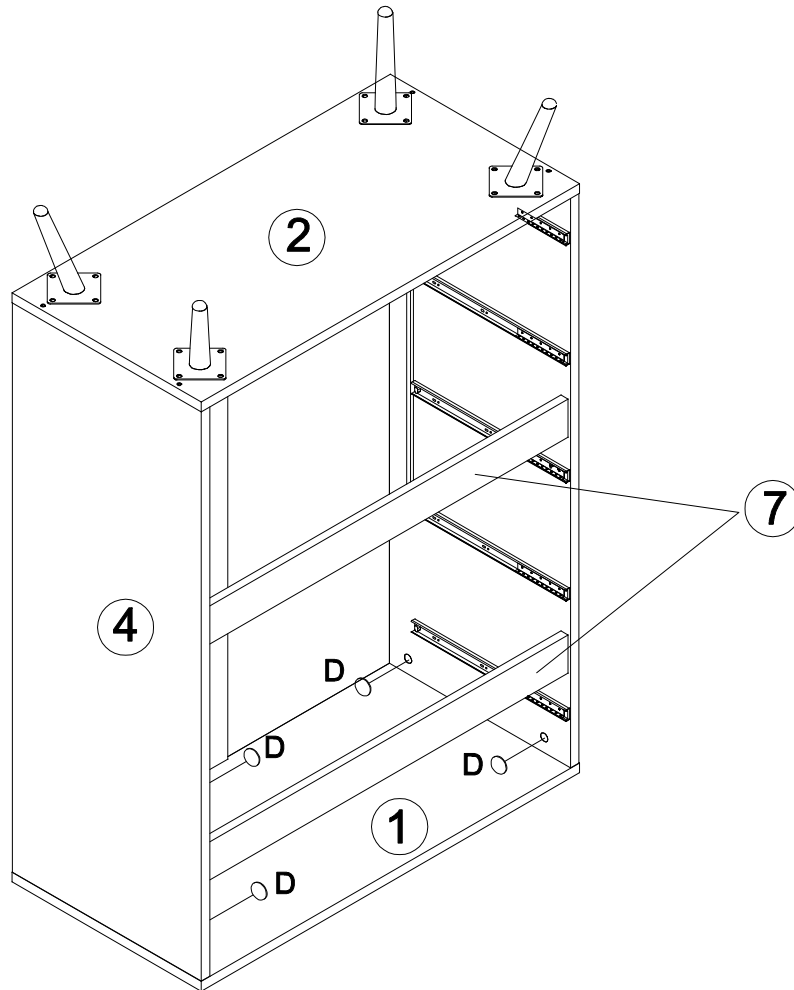

# Step 8

D x 4	K x 10	L x 10
		
		Ø3x16mm



# Step 9

D x 4

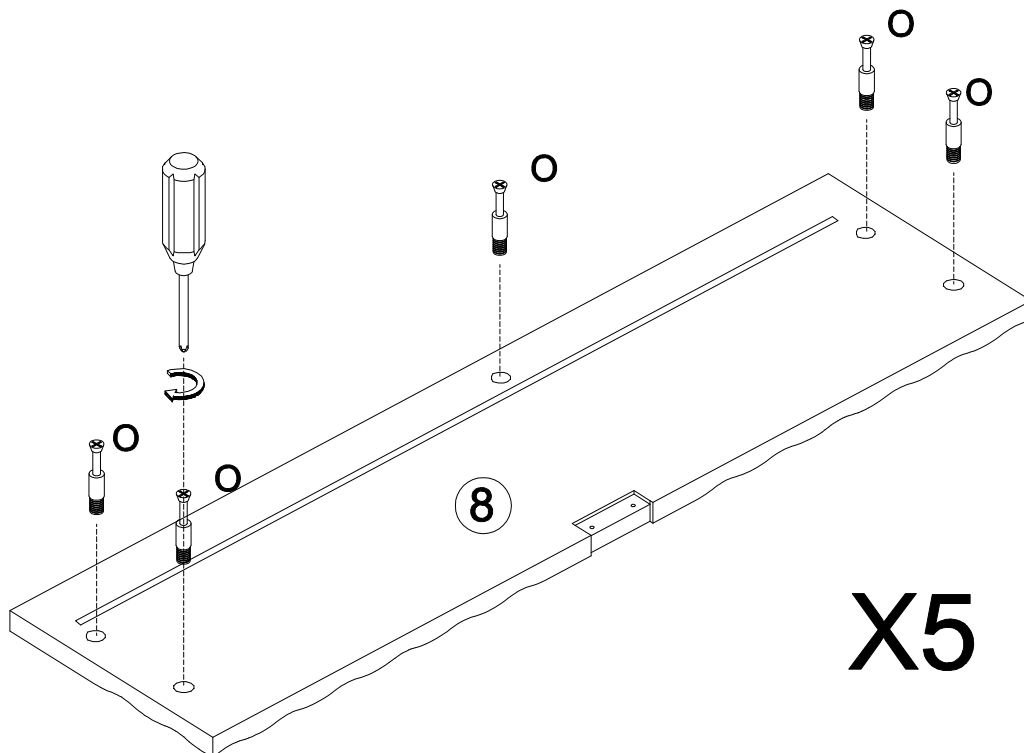


# Step 10

O x 25



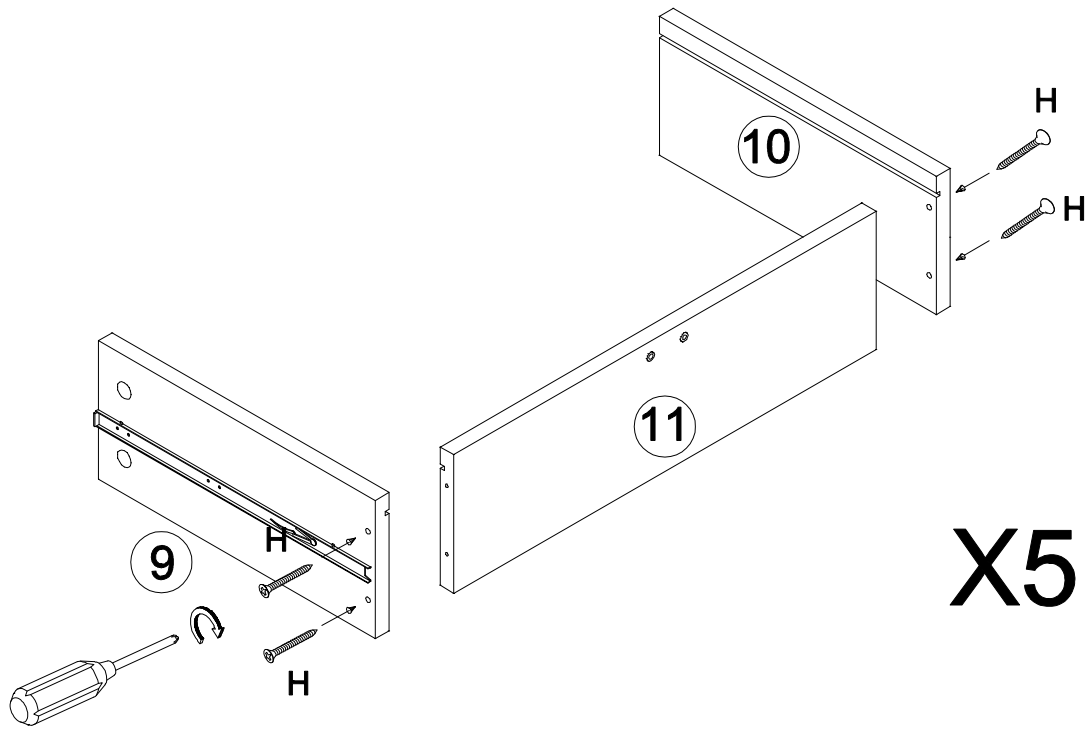
Ø6x32mm



X5

# Step 11

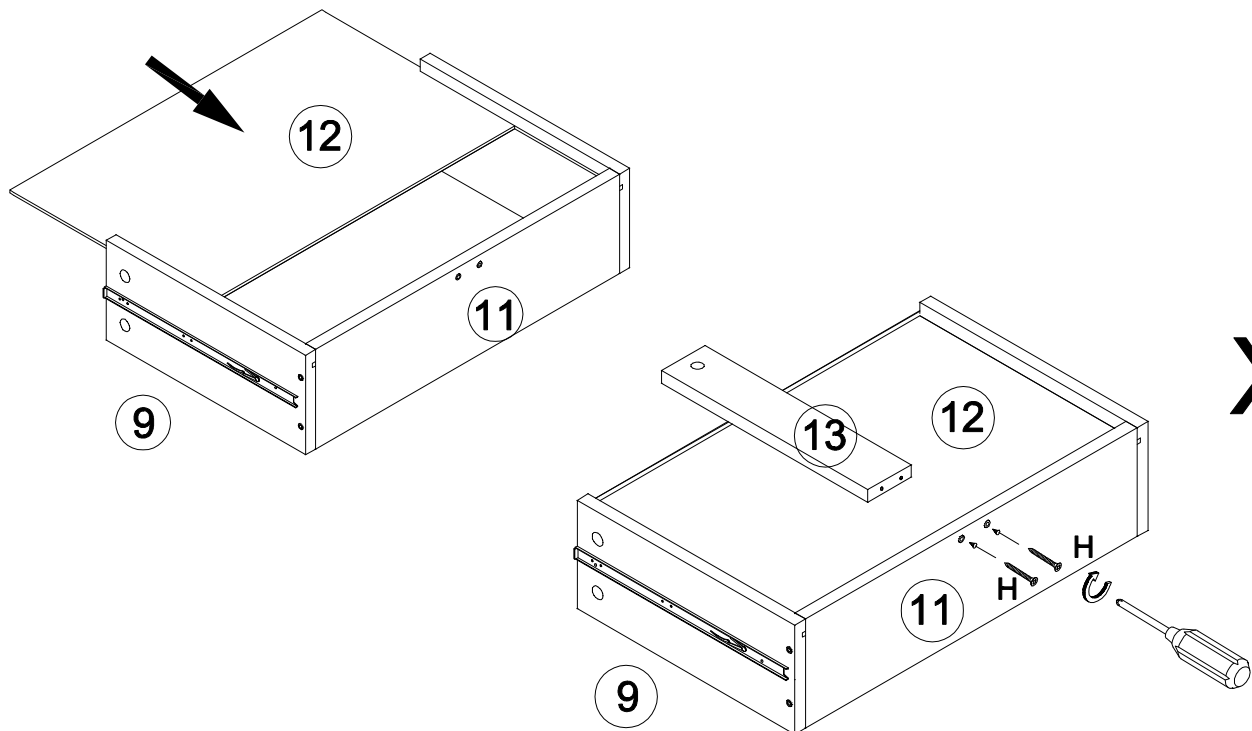
H x 20  
Ø4x30mm



X5

# Step 12

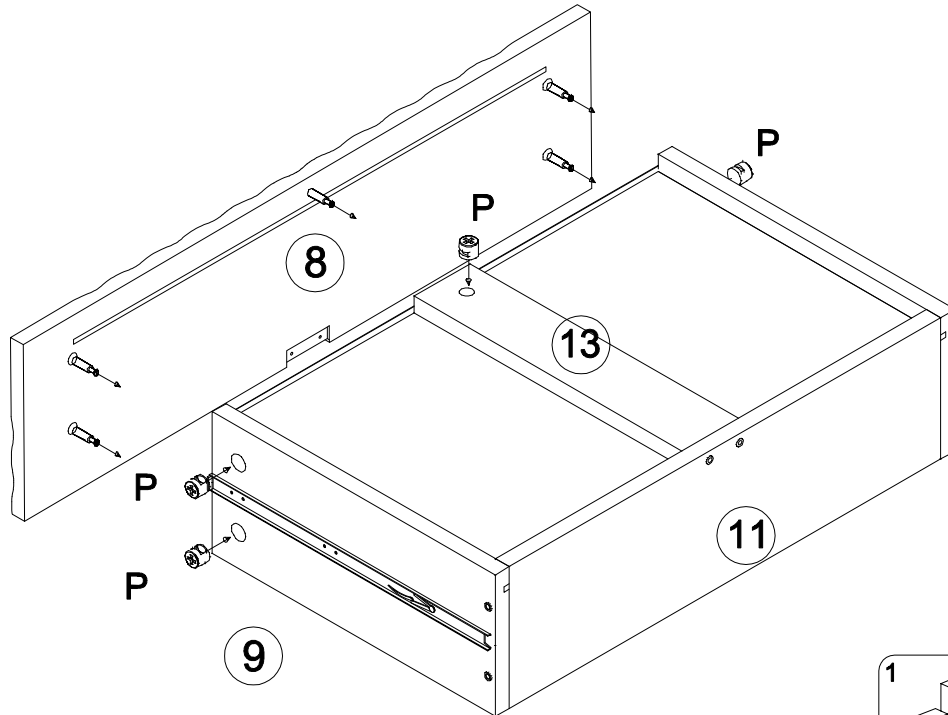
H x 10  
Ø4x30mm



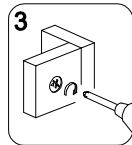
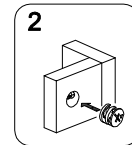
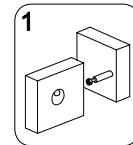
X5

# Step 13

P x 25

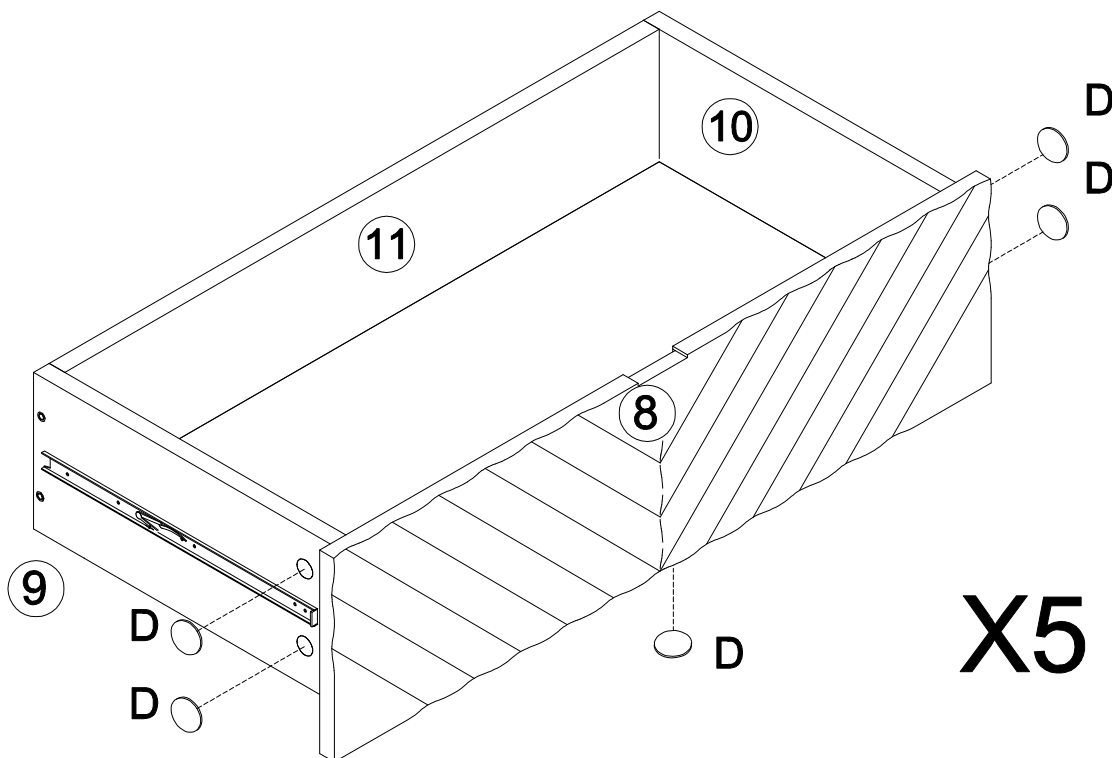


# X5



# Step 14

D x 25



# X5

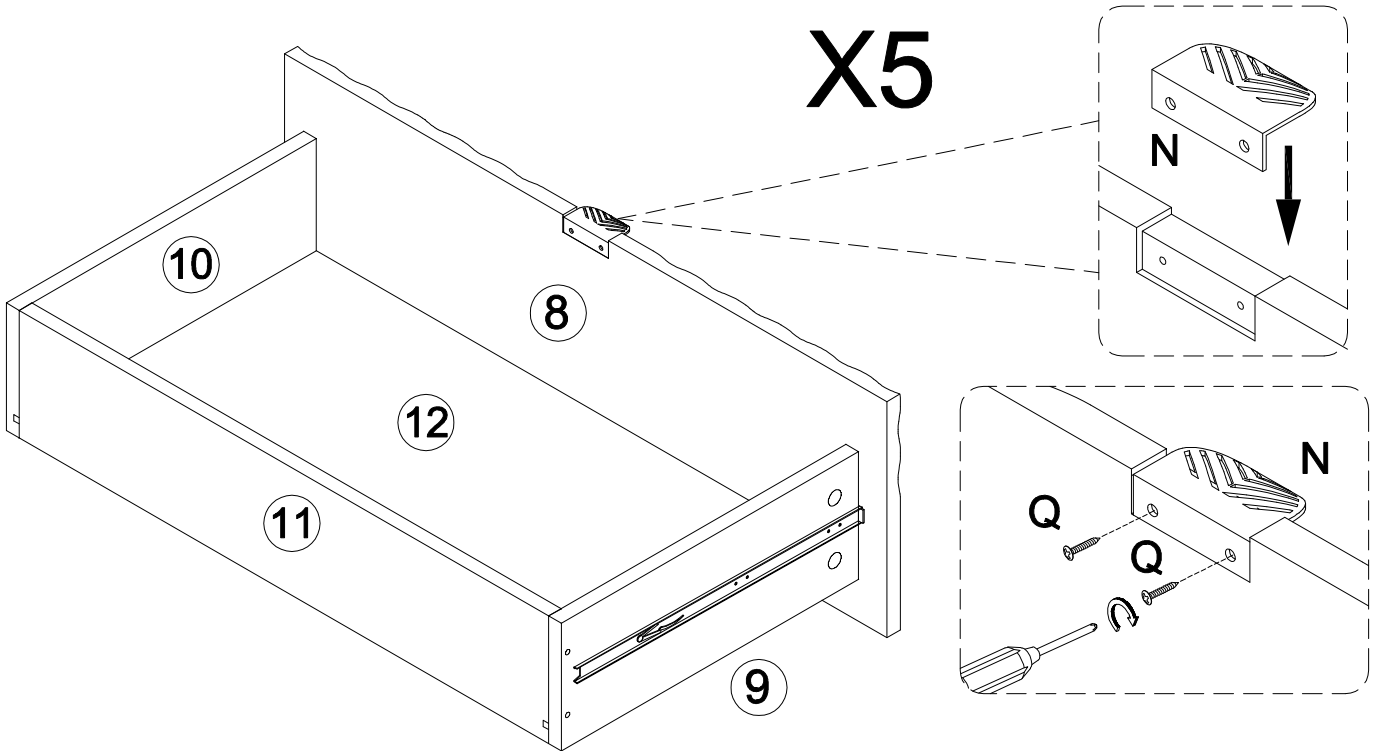
# Step 15

Q x 10

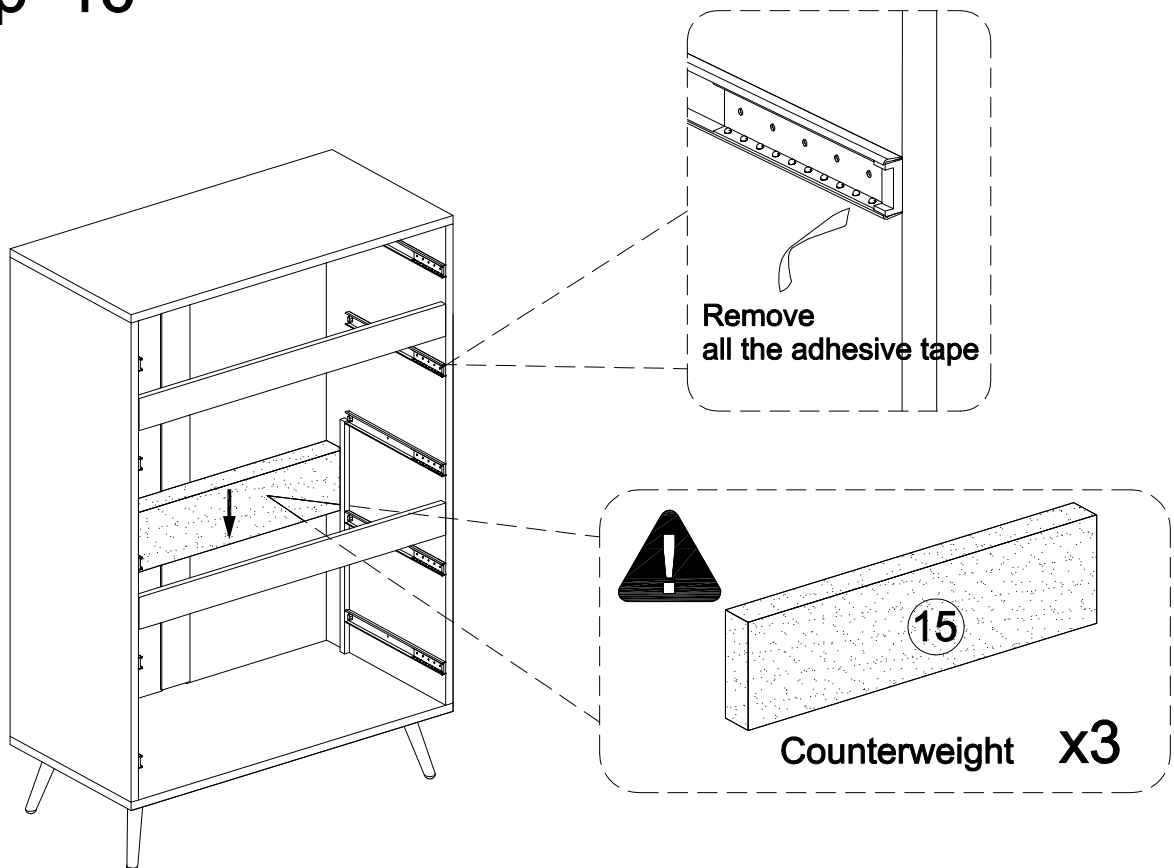
N x 5



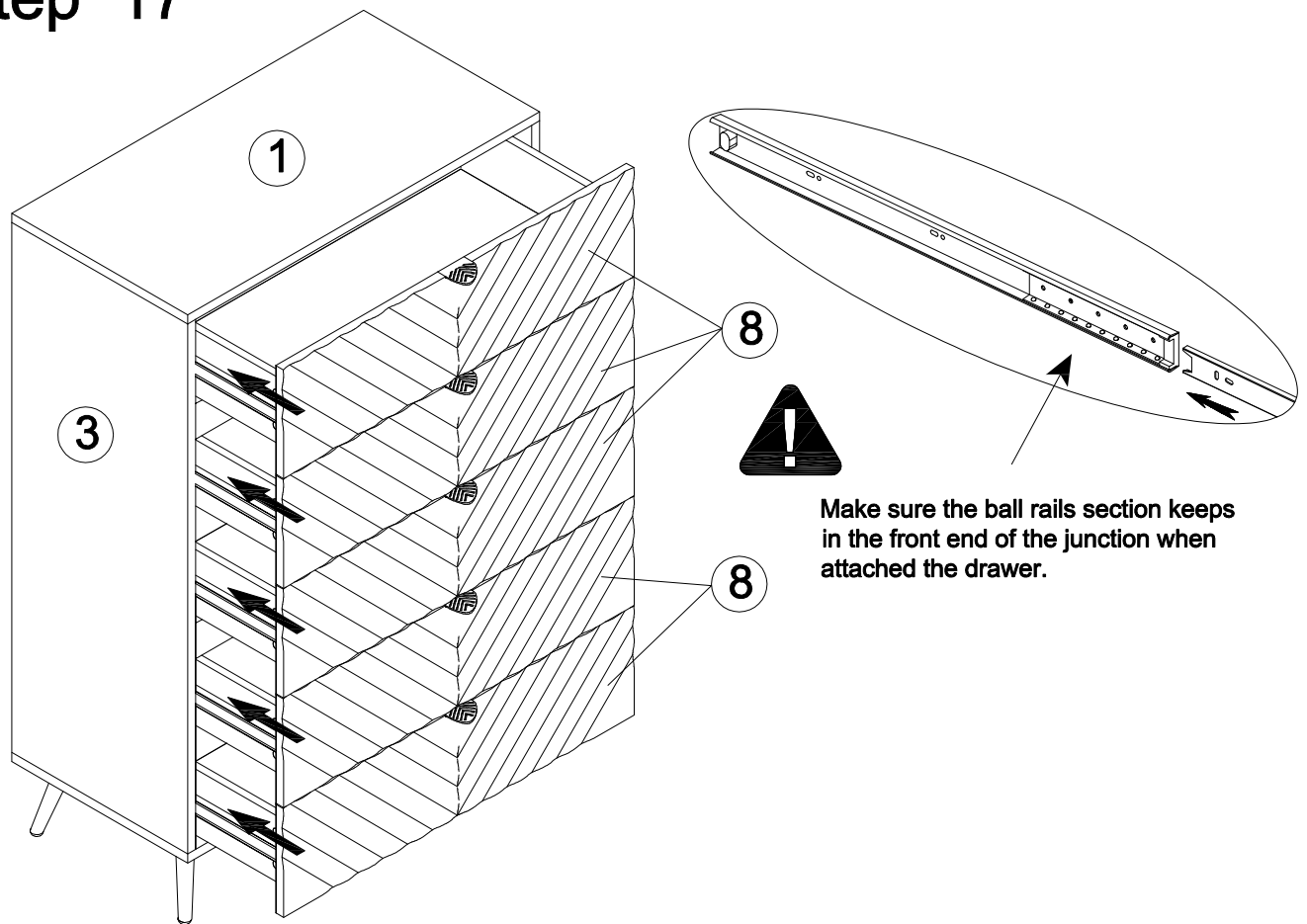
X5



# Step 16

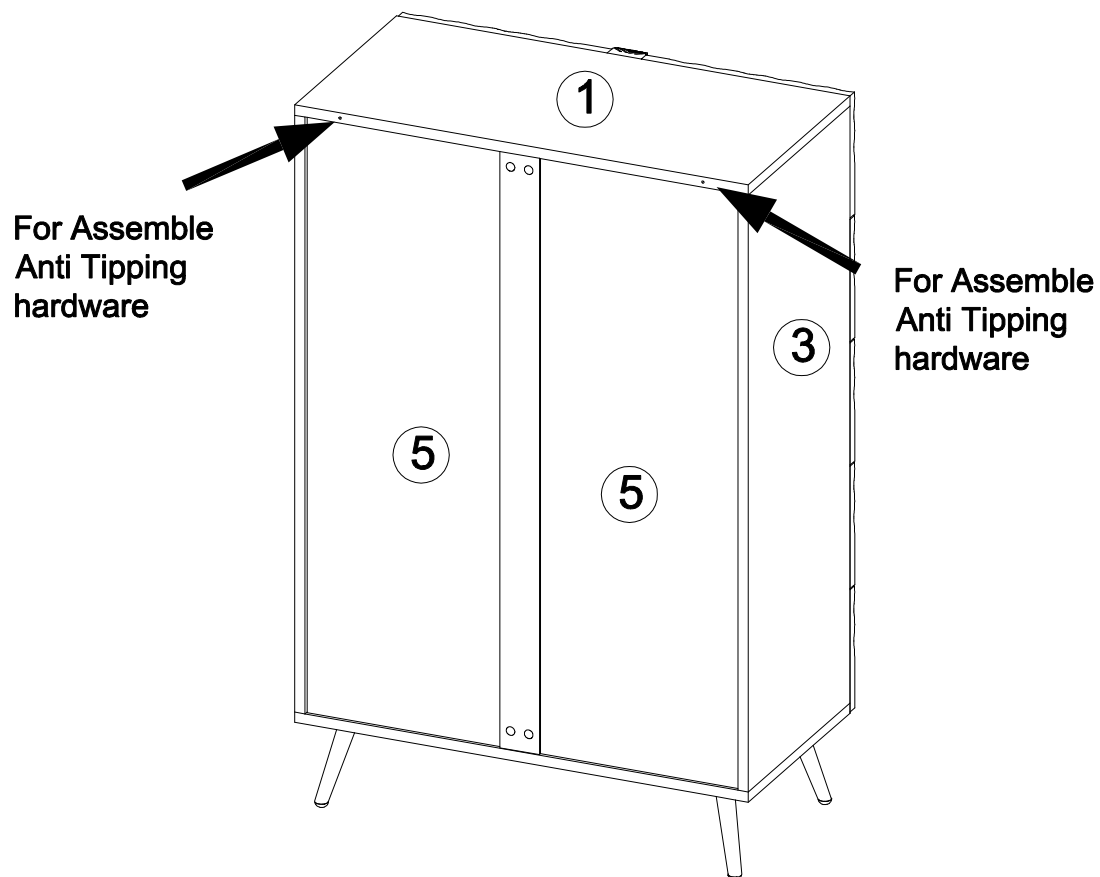


# Step 17

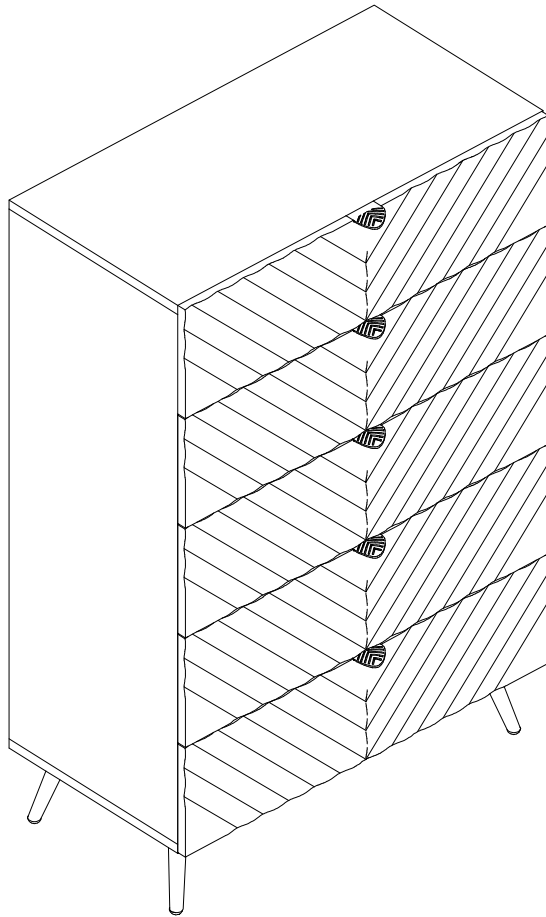


# Step 18

R x 2



## Step 19



### WARNING



Children have died from furniture tipover. To reduce the risk of furniture tipover:

- ALWAYS install tipover restraint provided.
- NEVER put a TV on this product.
- NEVER allow children to stand, climb or hang on drawers, doors, or shelves.
- NEVER open more than one drawer at a time.
- Place heaviest items in the lowest drawers.

