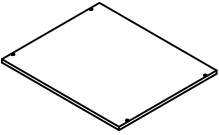
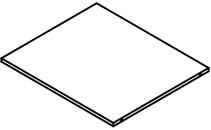
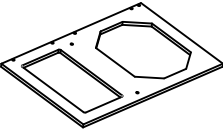
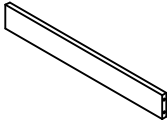
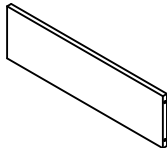
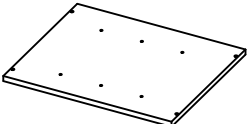


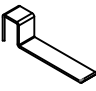





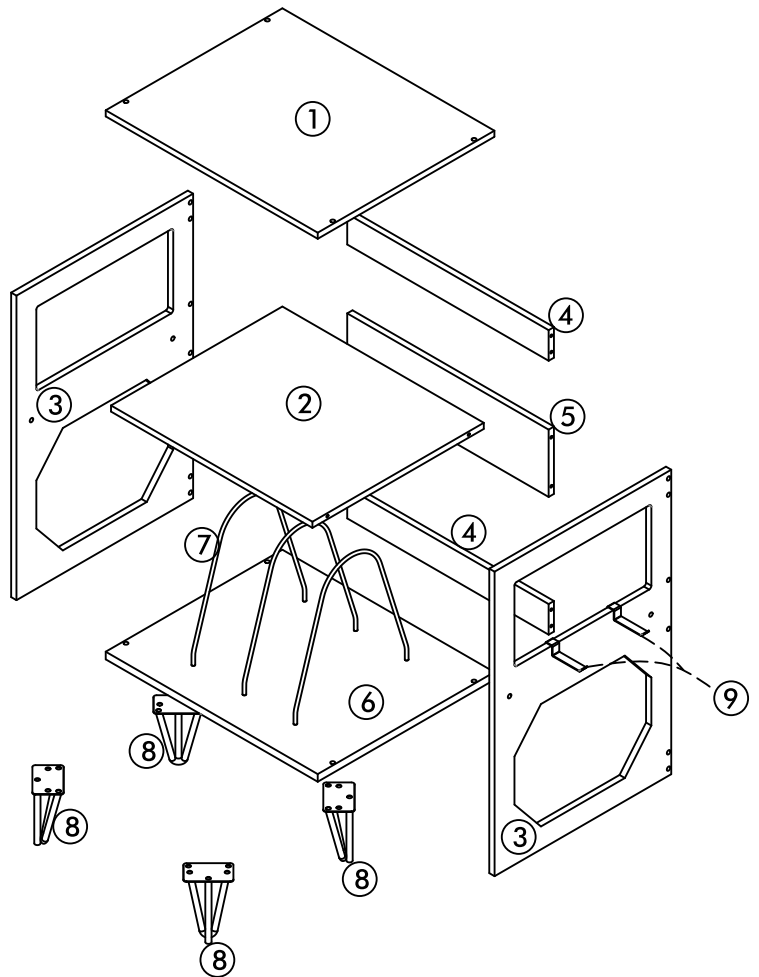
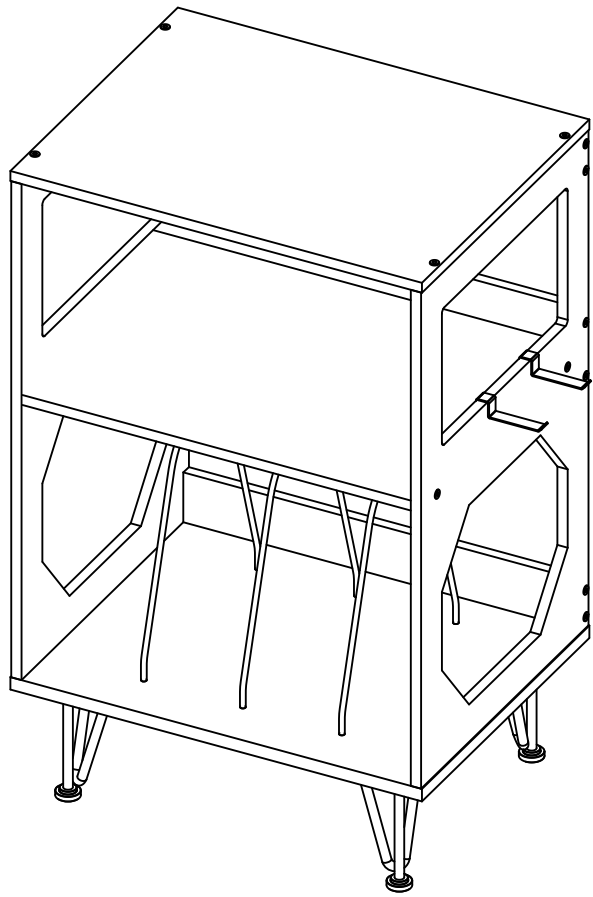
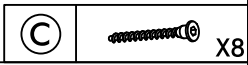
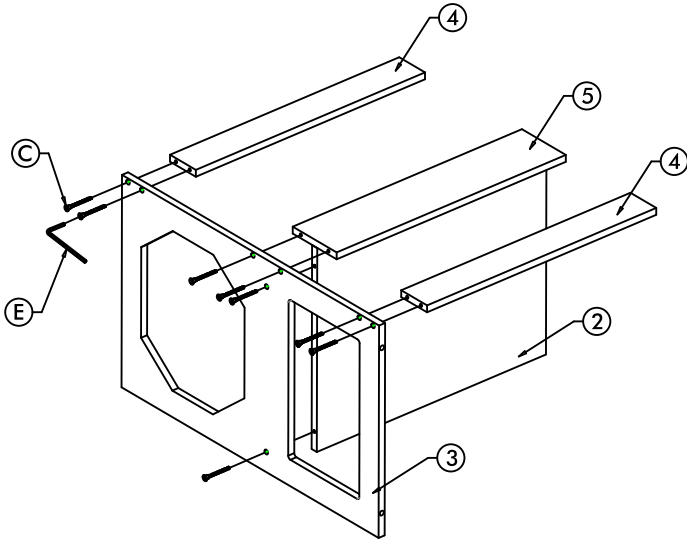


PARTS LIST

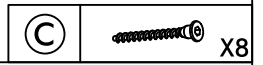
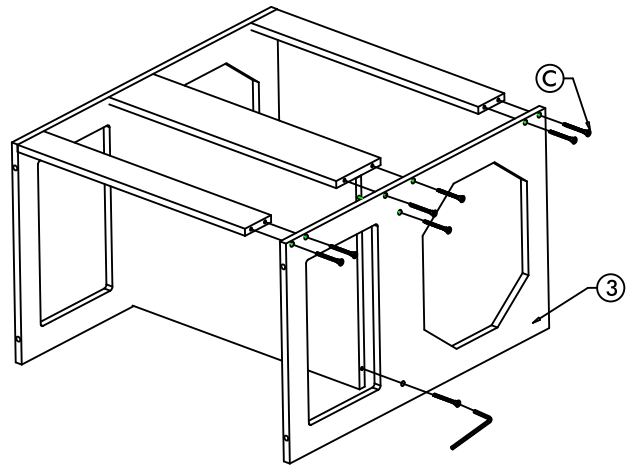
Number		Drawing
①	1	
②	1	
③	2	
④	2	
⑤	1	
⑥	1	
⑦	3	
⑧	4	
⑨	2	
A	8+1	
B	6+1	
C	24+2	
D	4+1	
E	1	



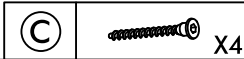
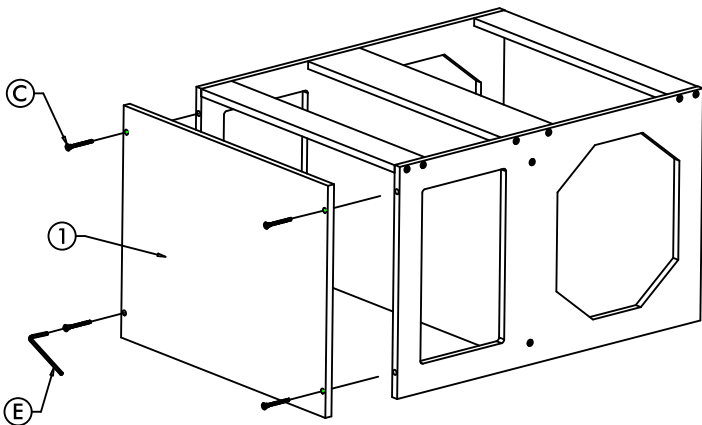
Step 1



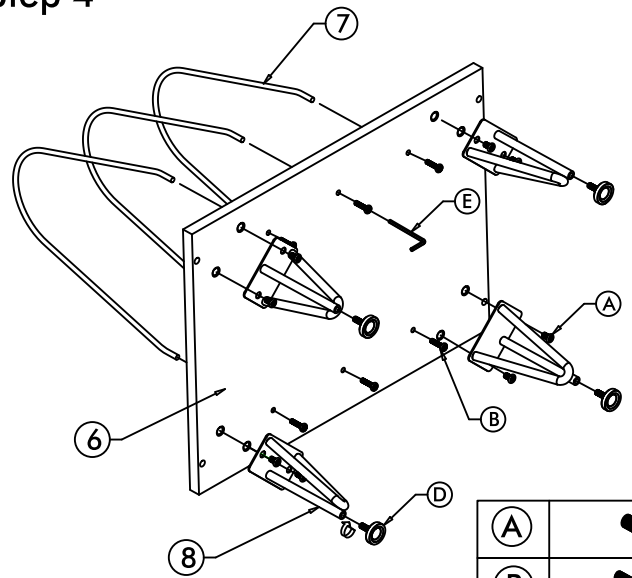
Step 2



Step 3

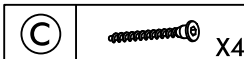
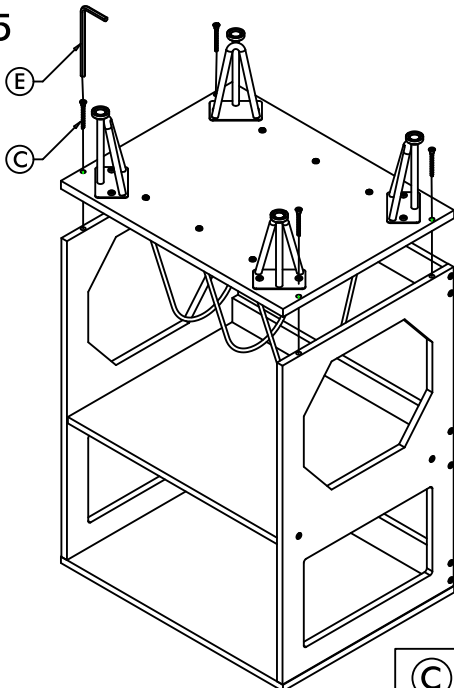


Step 4



(A)		X8
(B)		X6
(D)		X4

Step 5



COMPLETION

