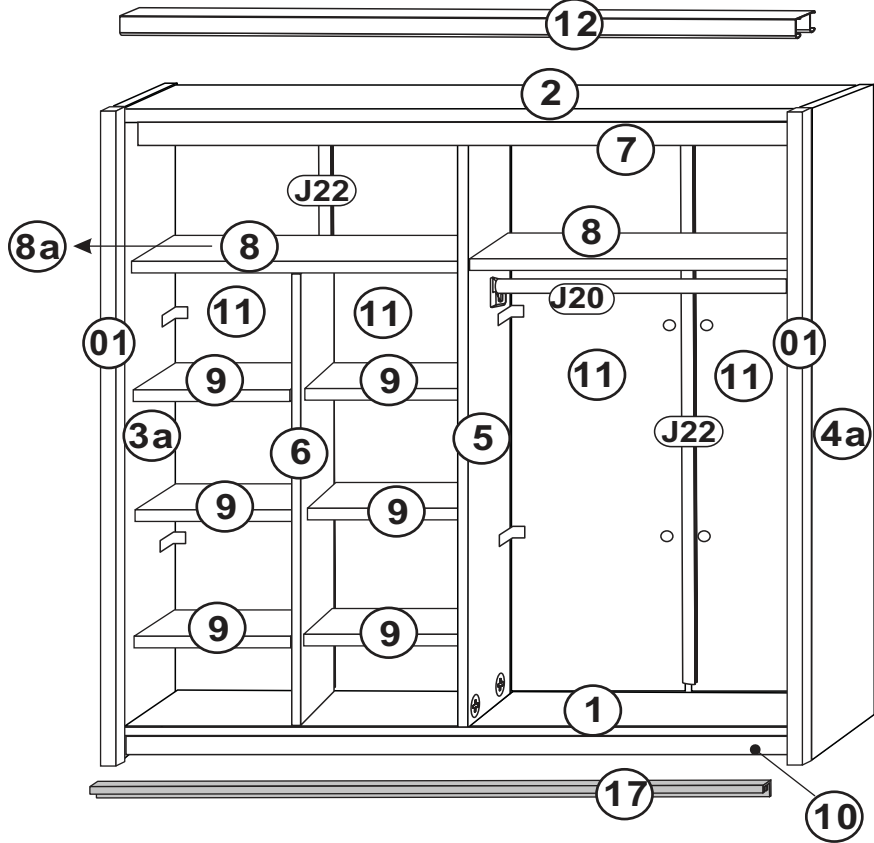
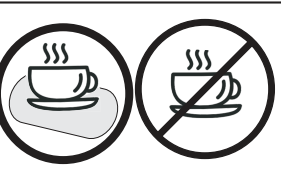
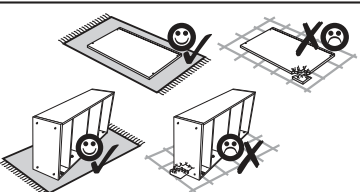
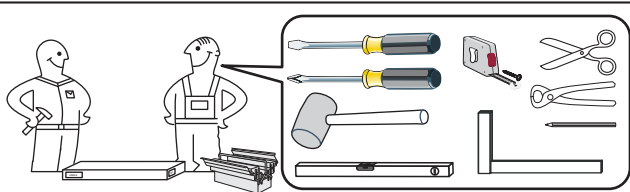
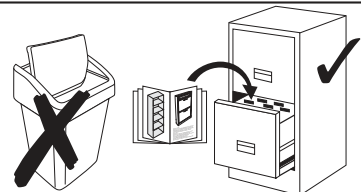
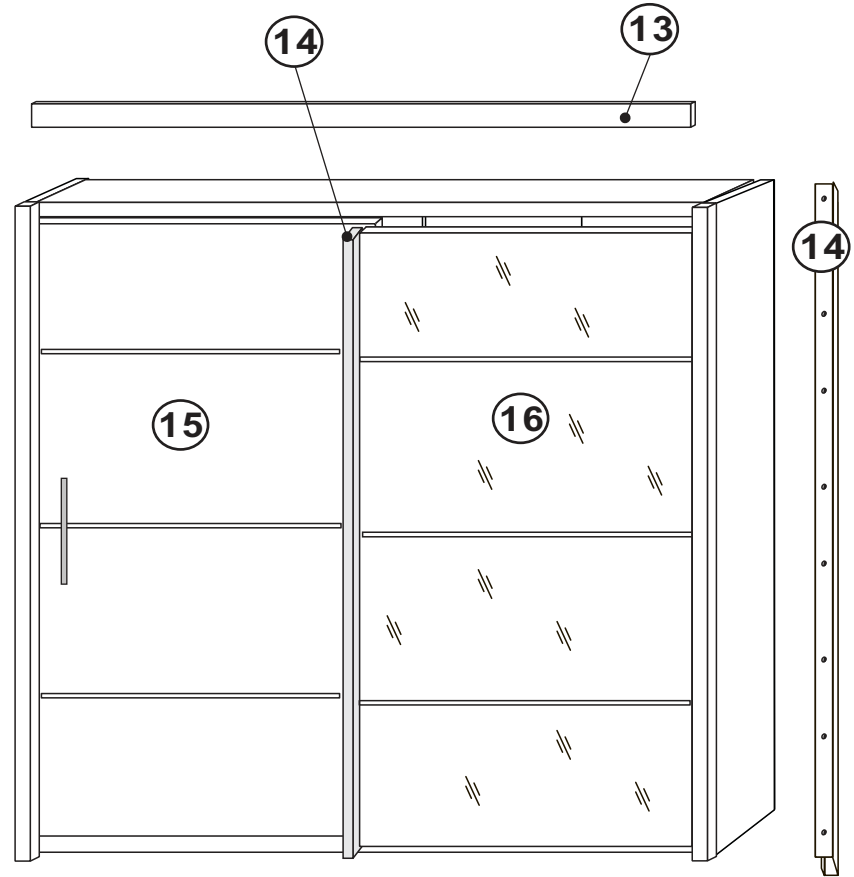
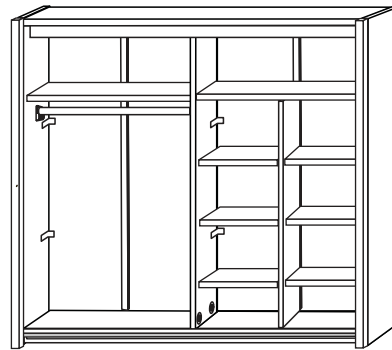


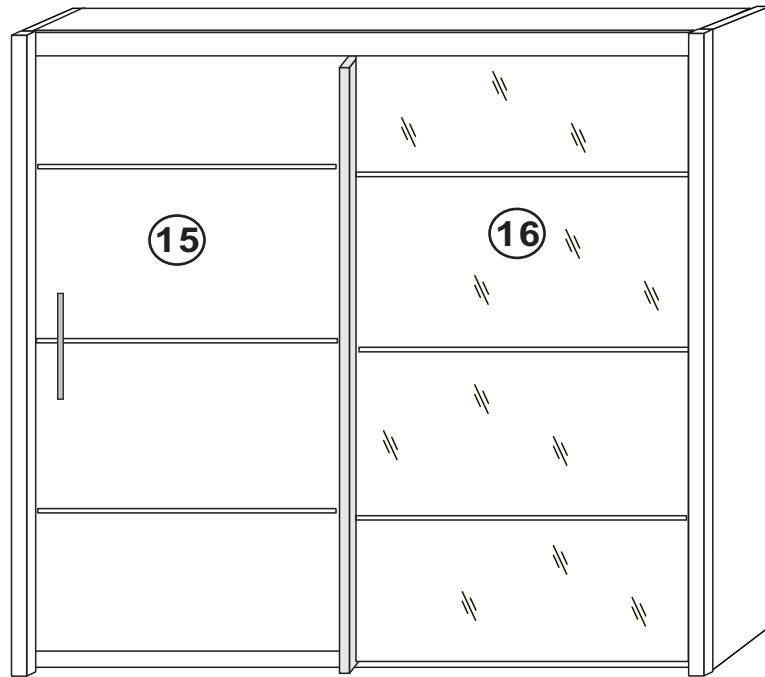
Option "a"



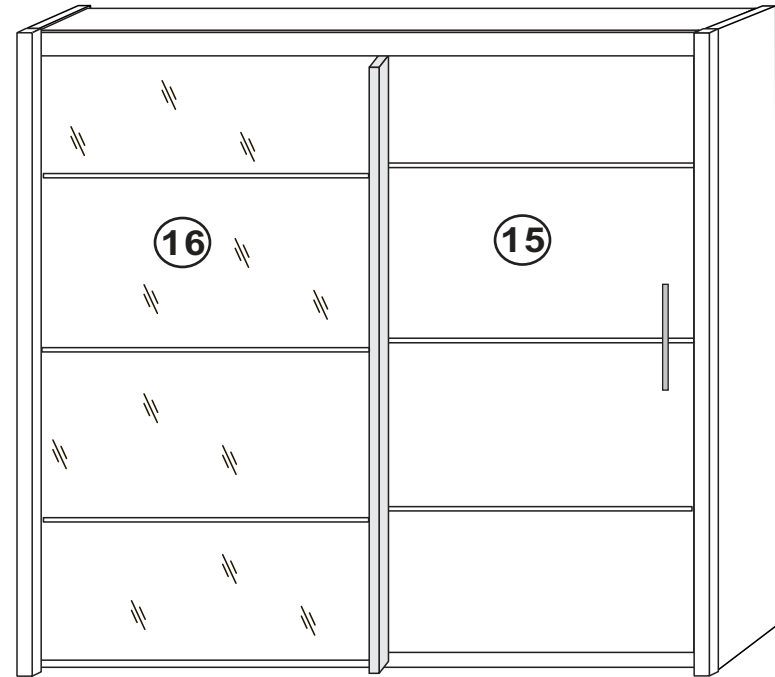
option "b"

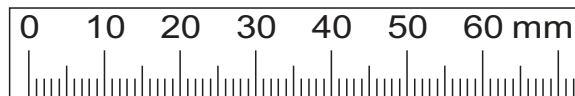
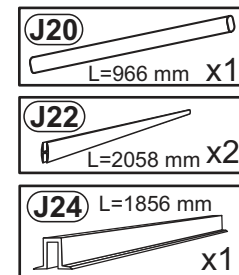
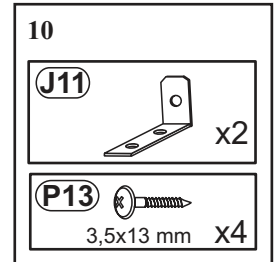
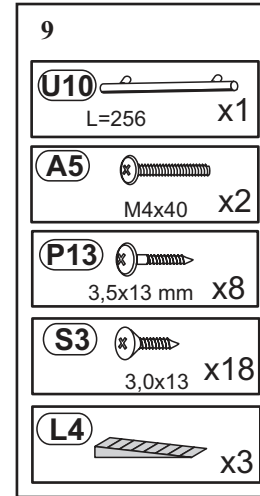
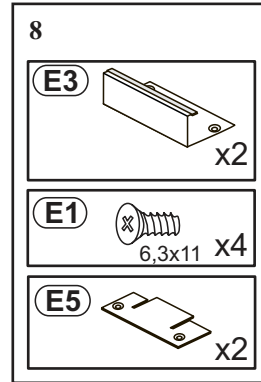
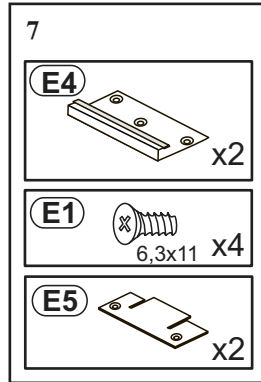
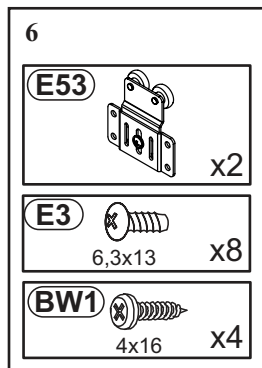
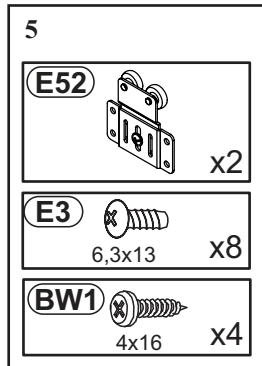
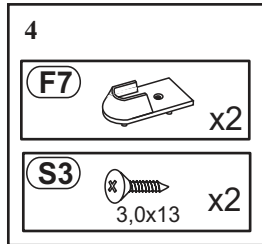
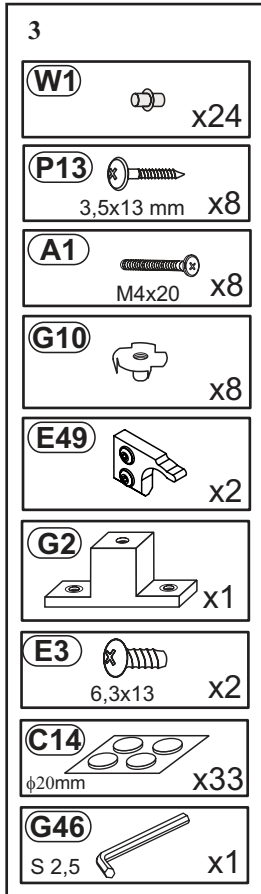
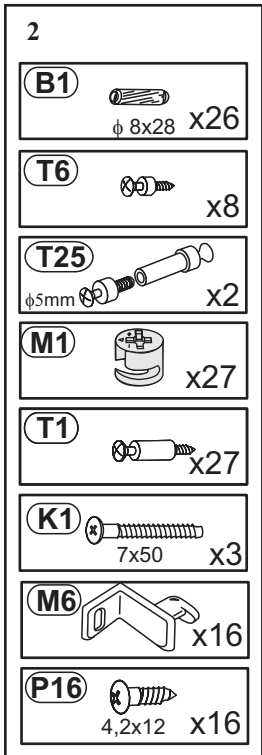
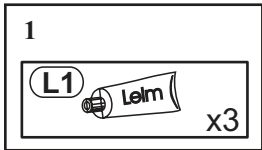


option "c"



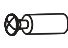


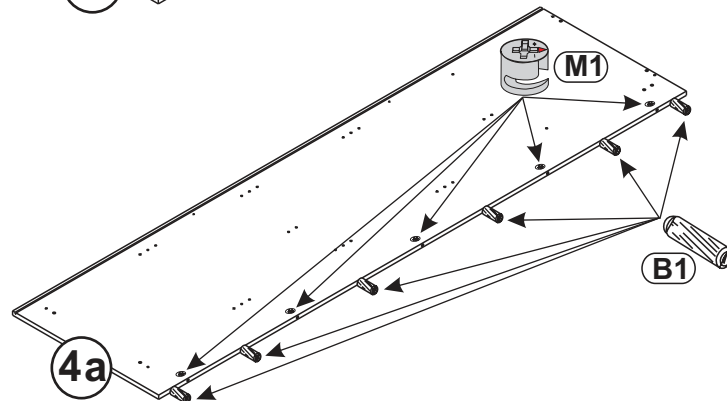
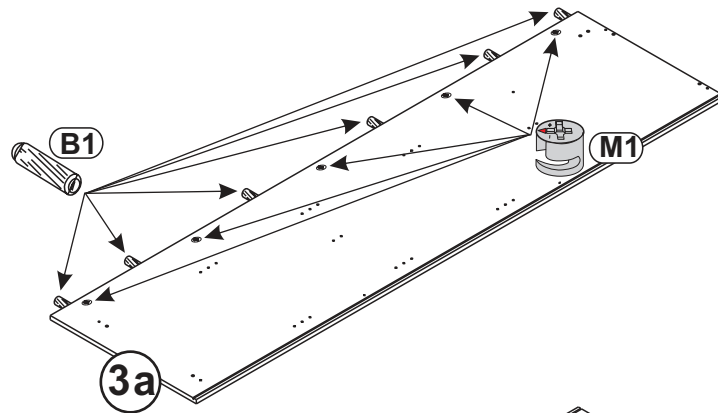
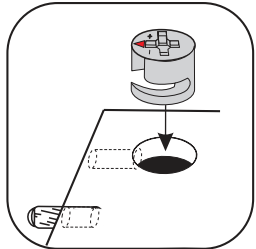
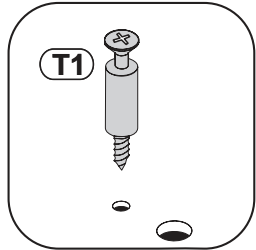
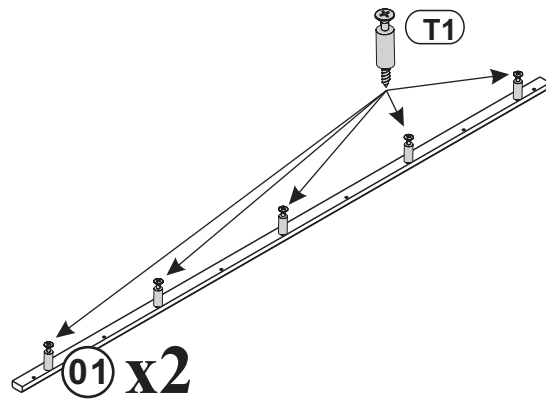
option "d"






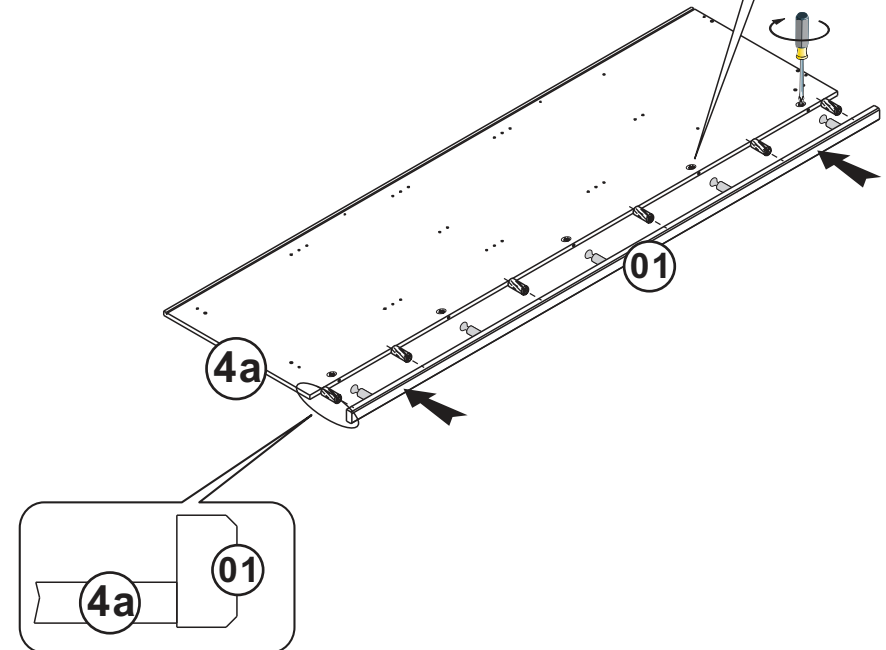
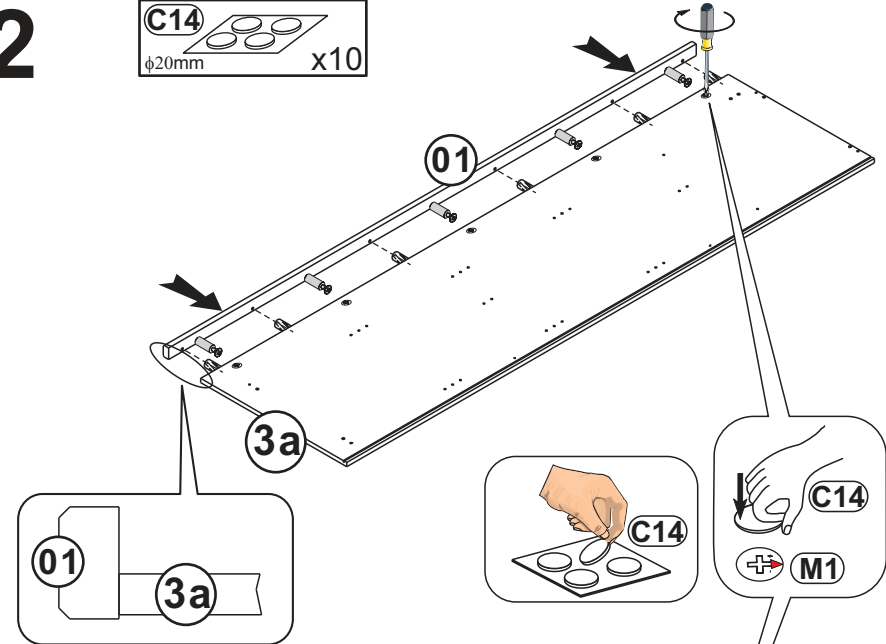
# 1

- B1**   $\phi 8 \times 28$  x12
- M1**  x10
- T1**  x10

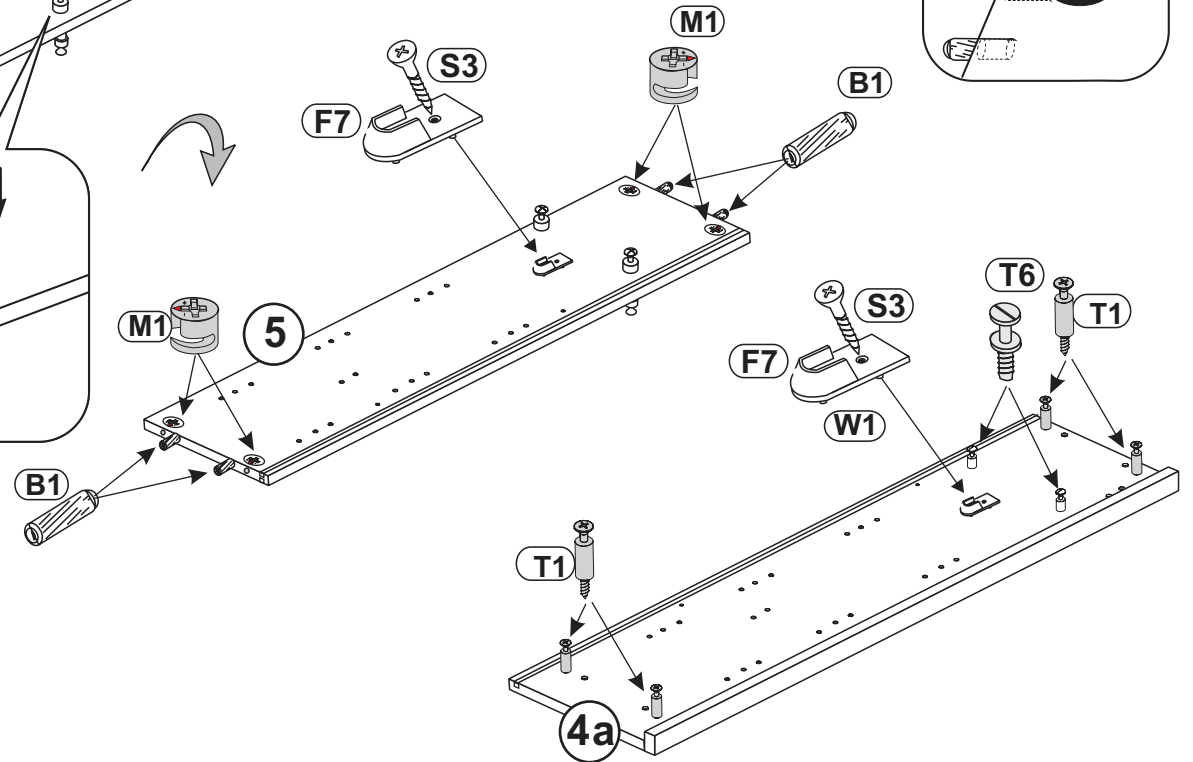
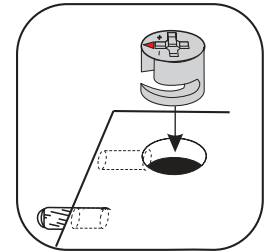
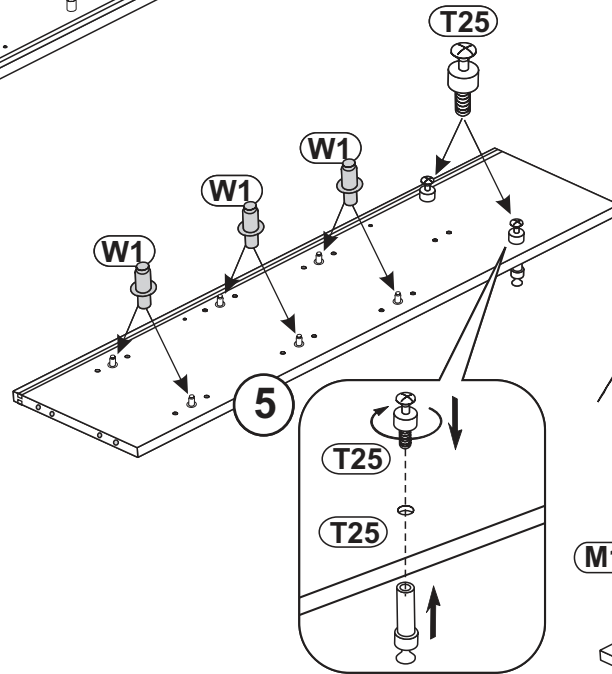
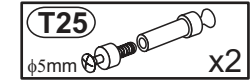
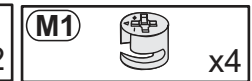
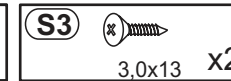
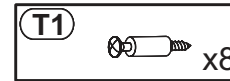
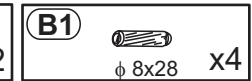
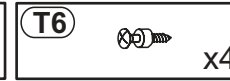
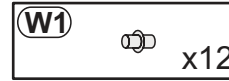
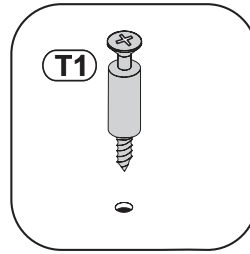
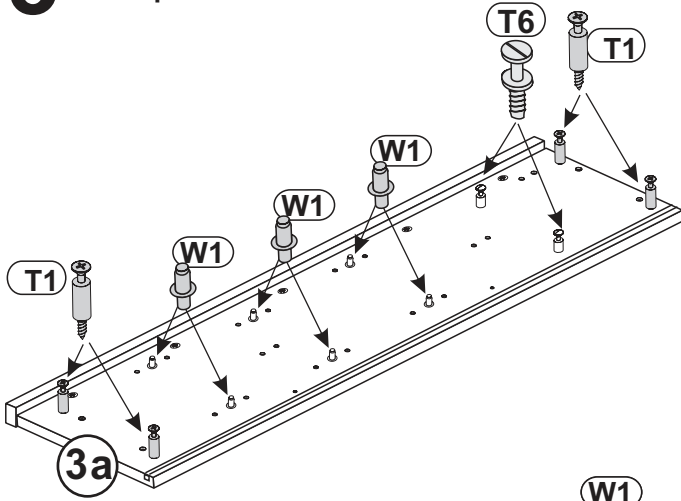


# 2




- C14**   $\phi 20$ mm x10

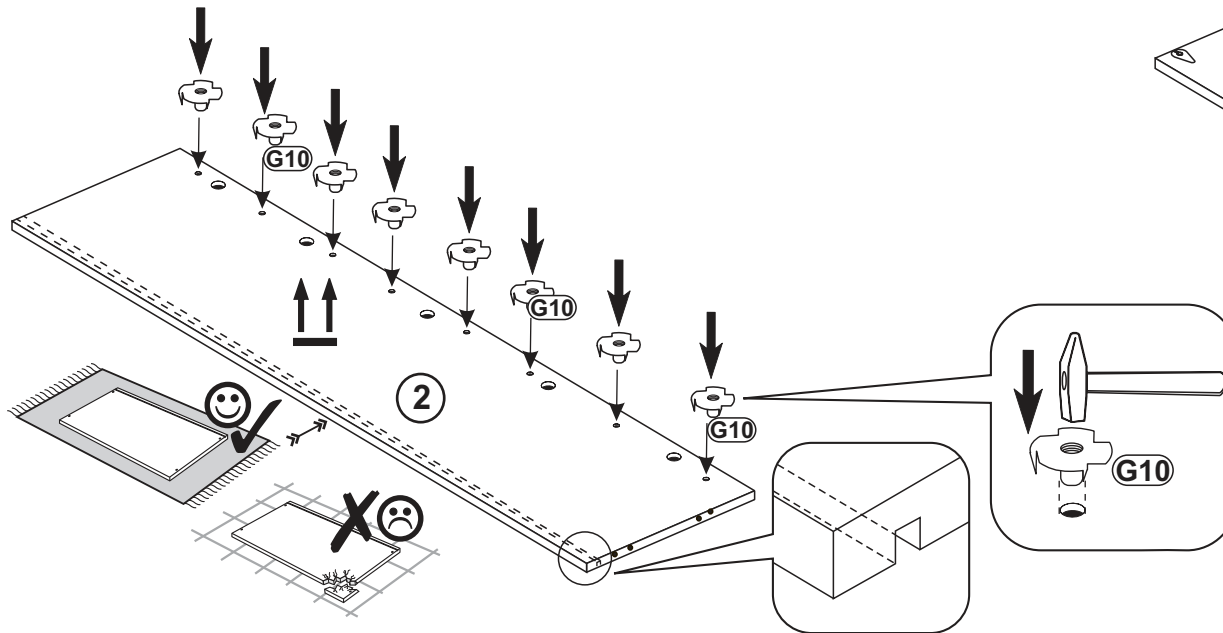
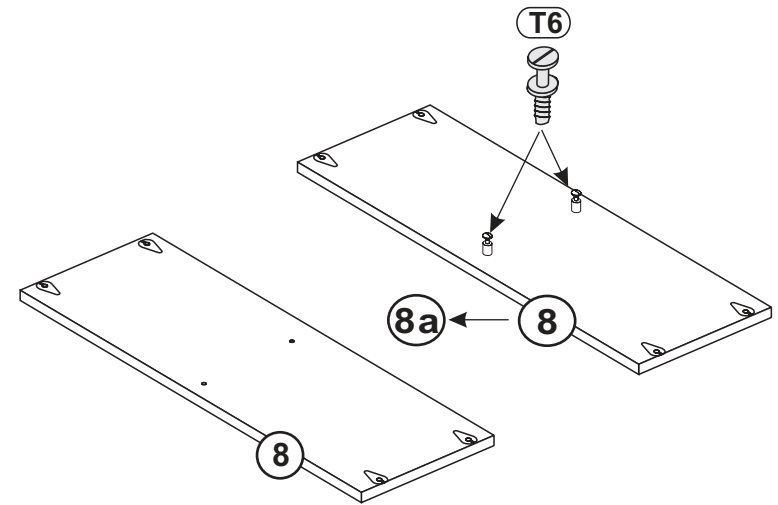
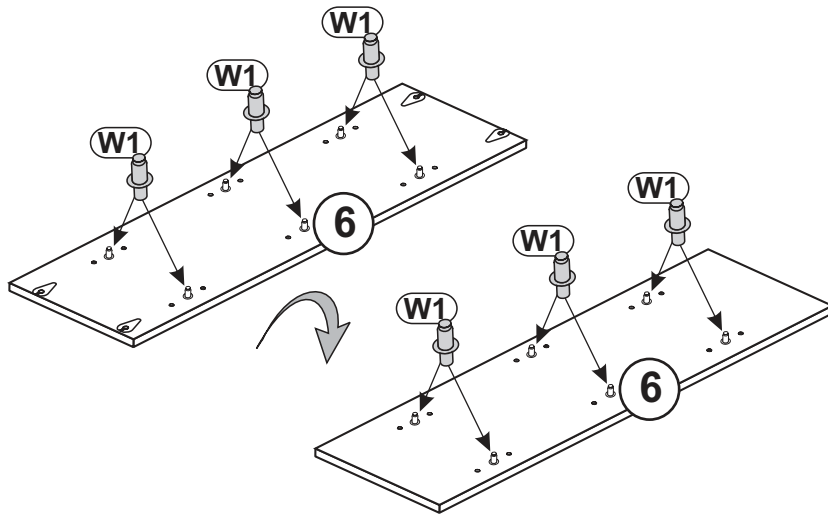


## 3 option "a"



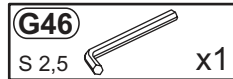
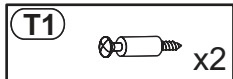
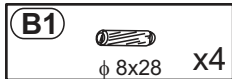
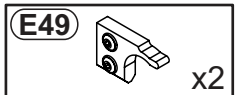
4

<b>T6</b>  x2	<b>W1</b>  x12
<b>G10</b>  x8	

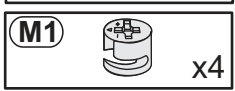




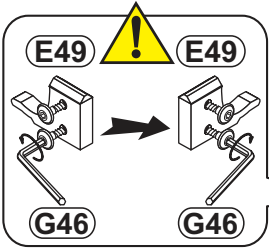
## 6a



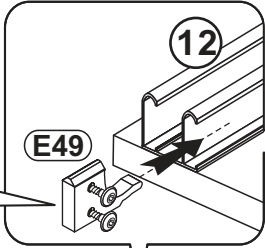
option "c"



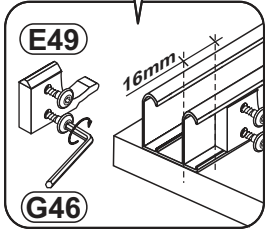
4



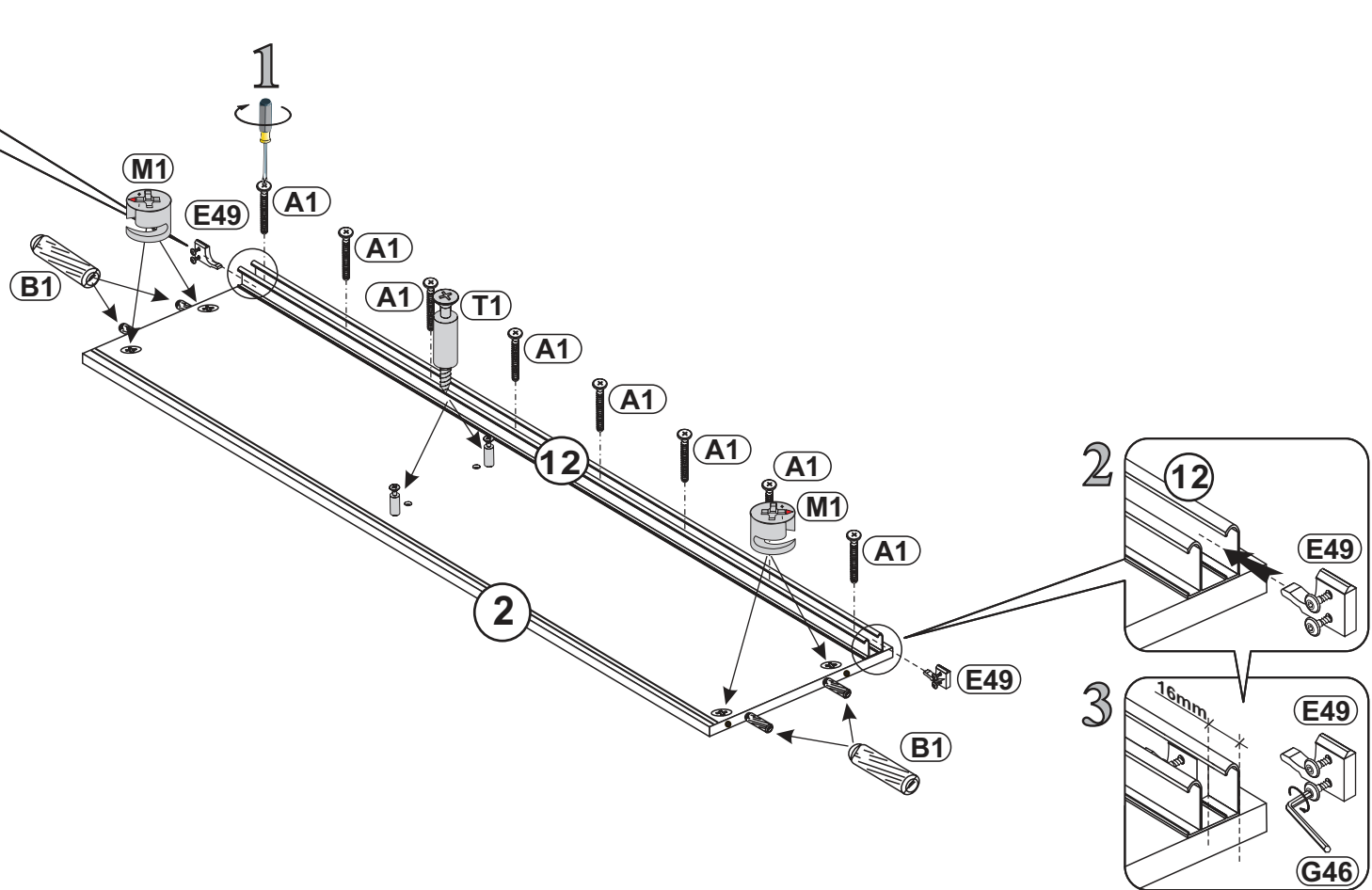
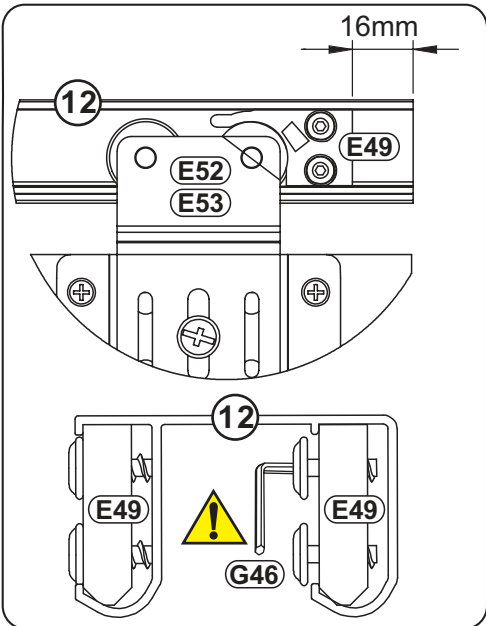
5



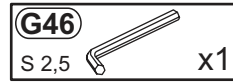
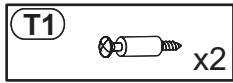
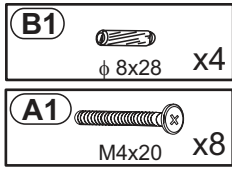
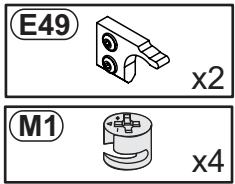
6



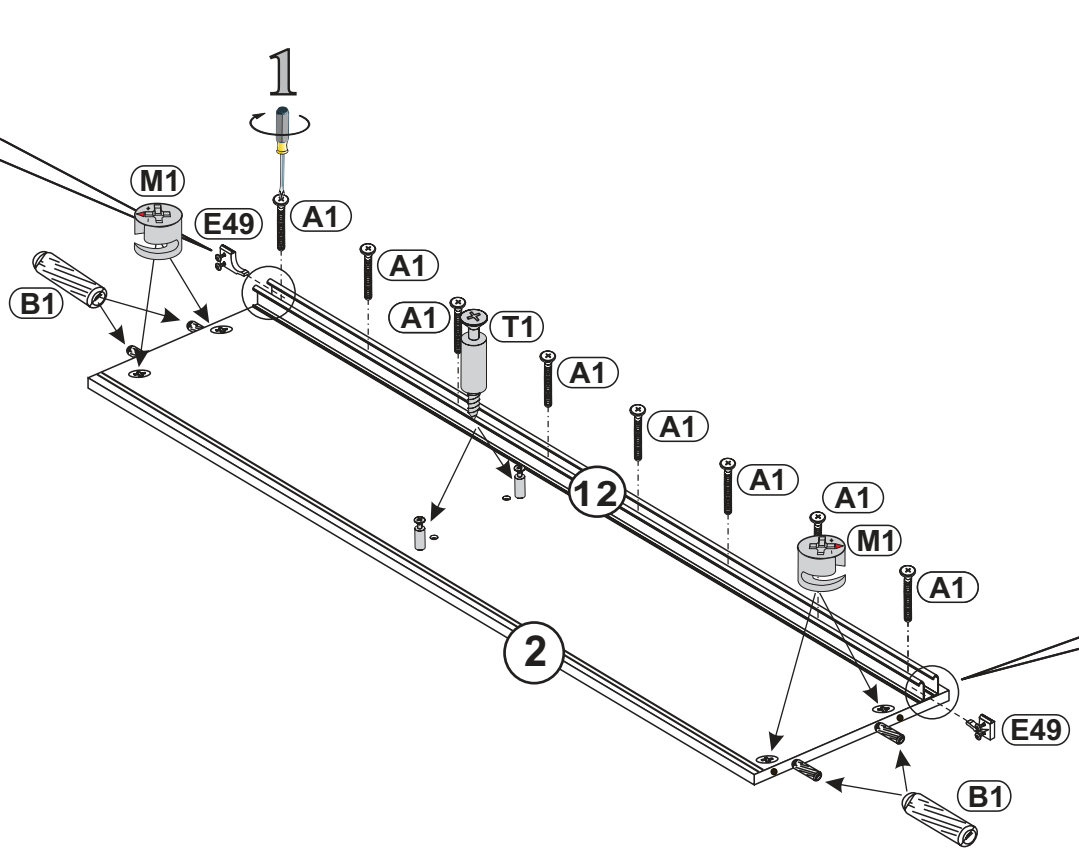
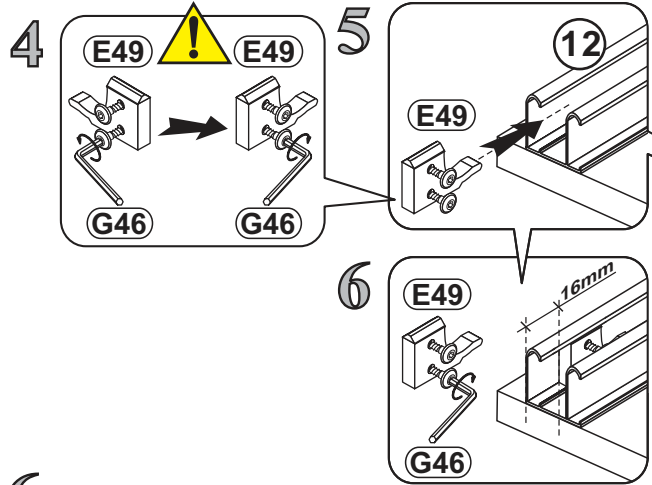
## 3a



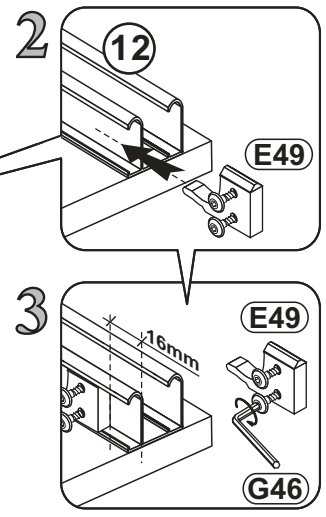
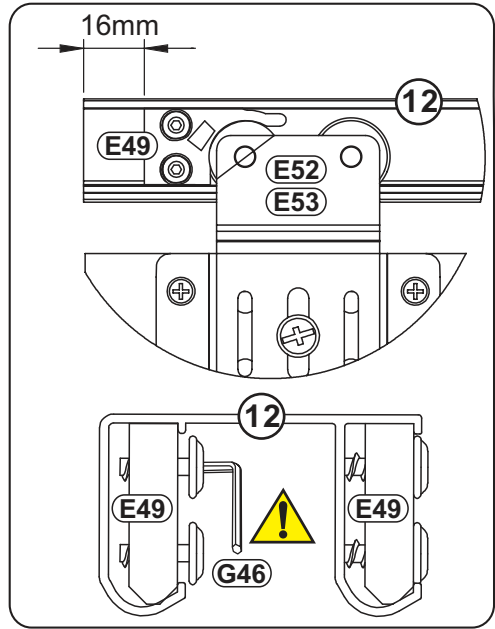
6b



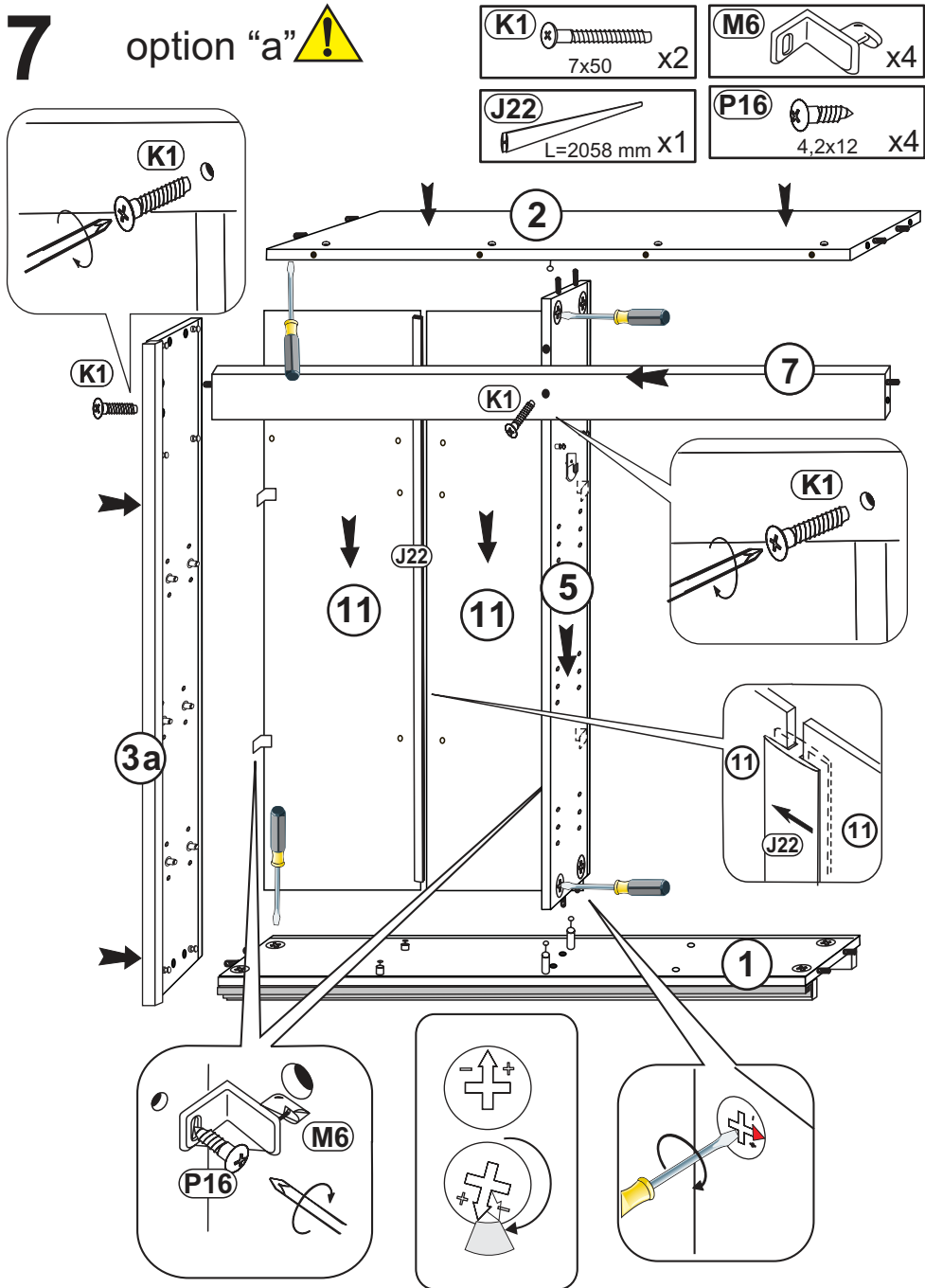
option "d" 



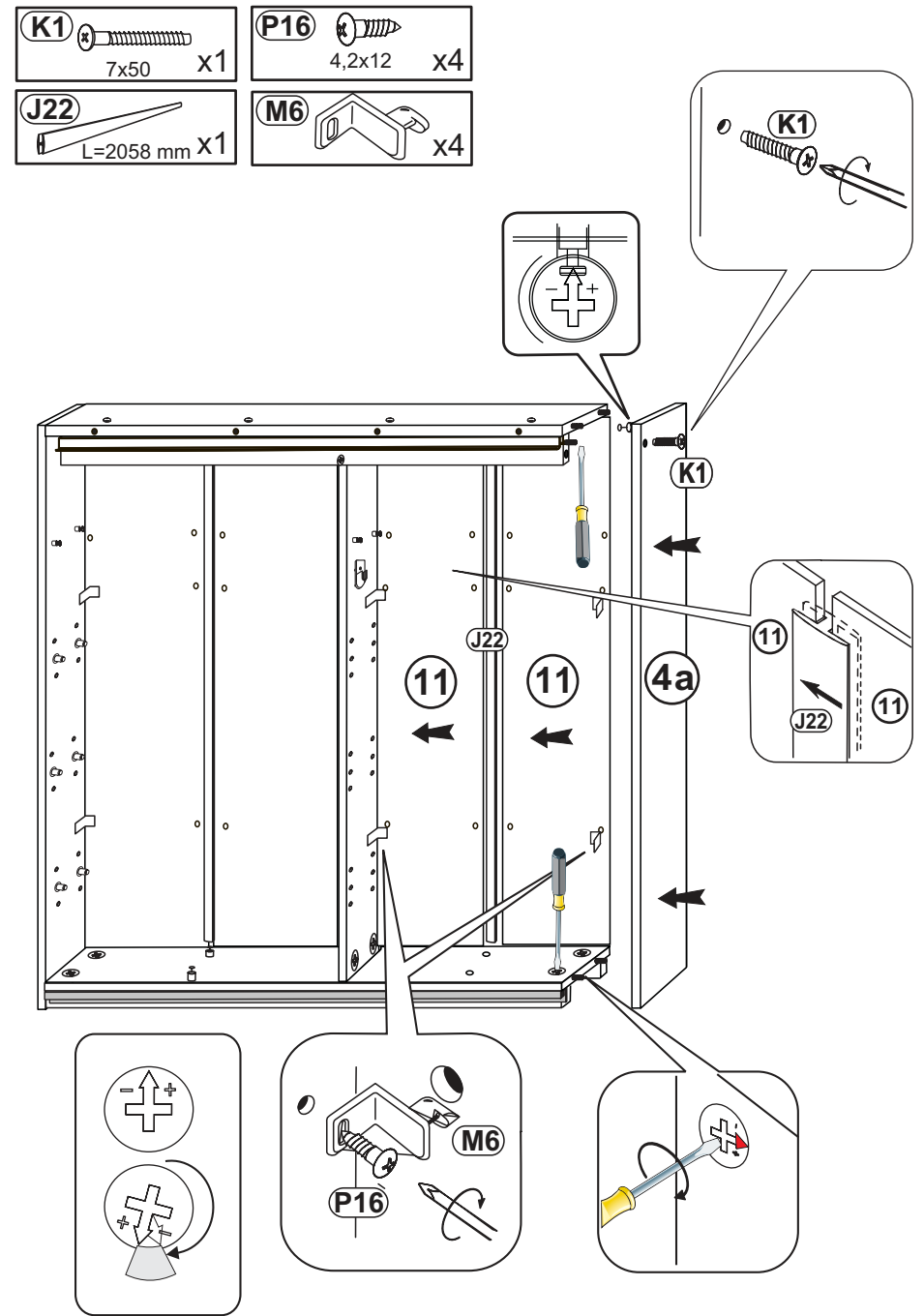
6a



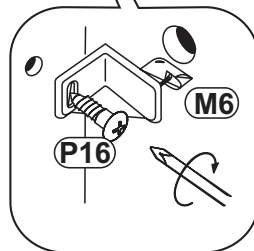
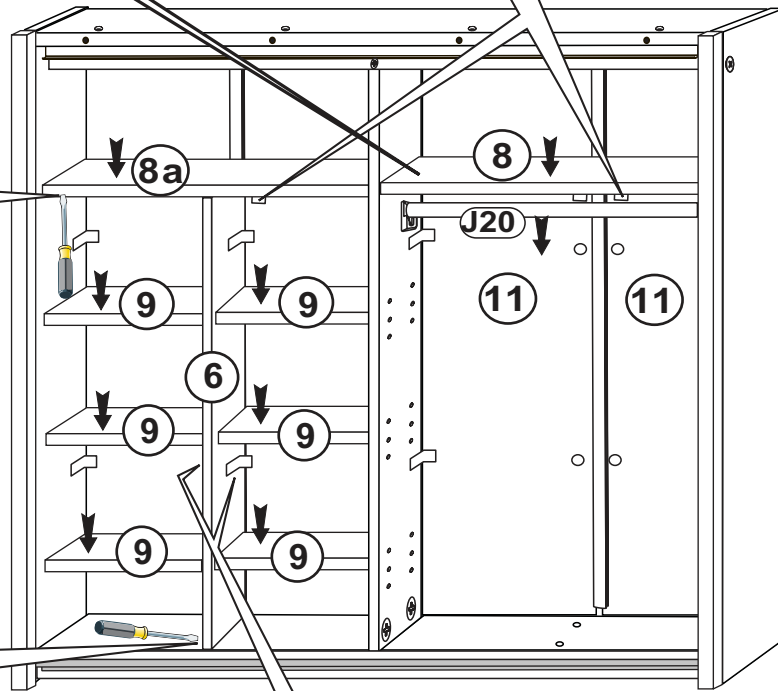
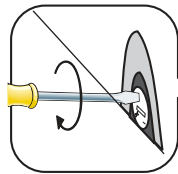
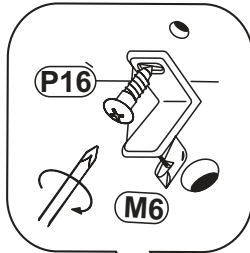
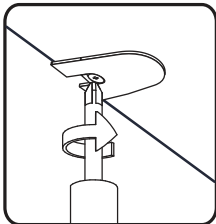
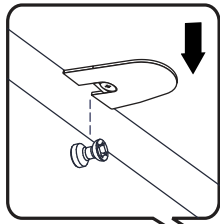
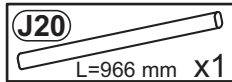
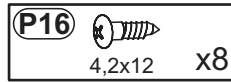
## 7 option "a"



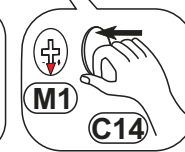
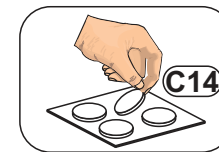
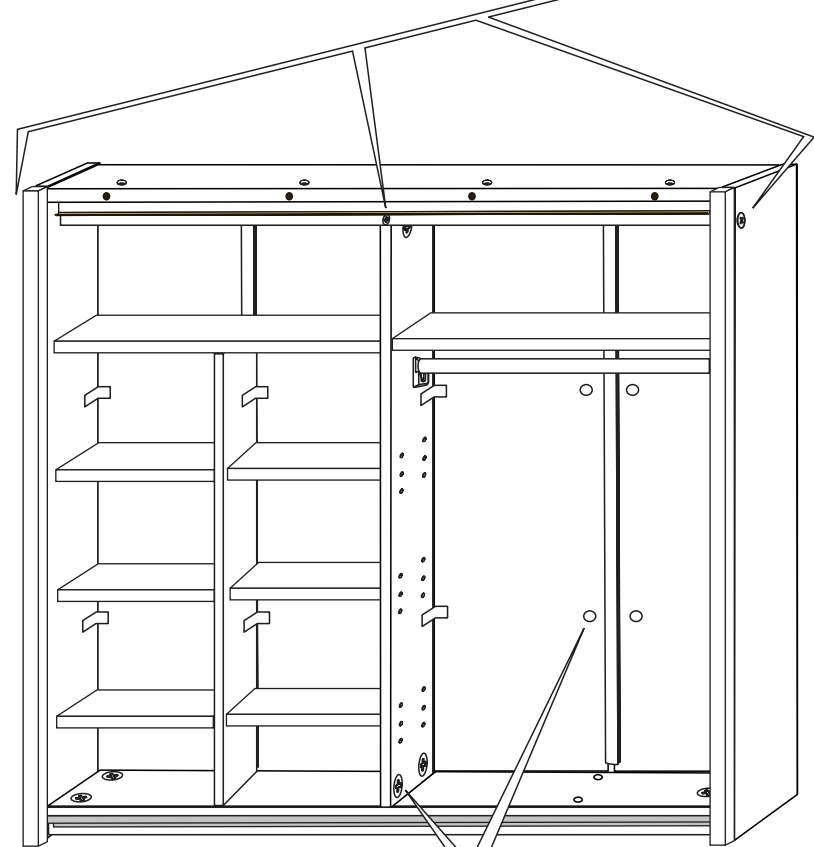
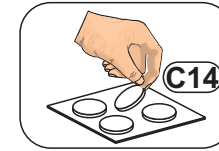
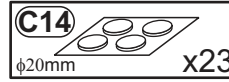
## 8



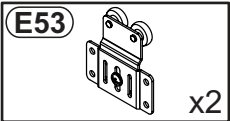
## 9



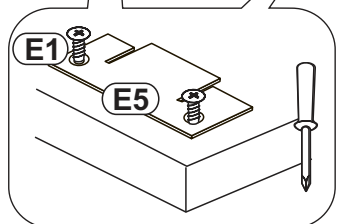
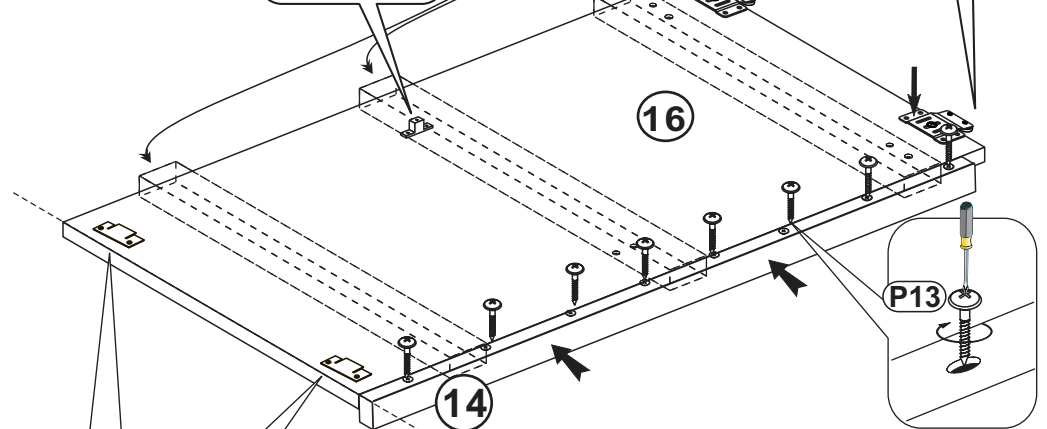
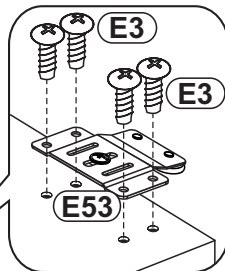
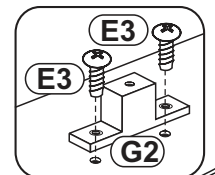
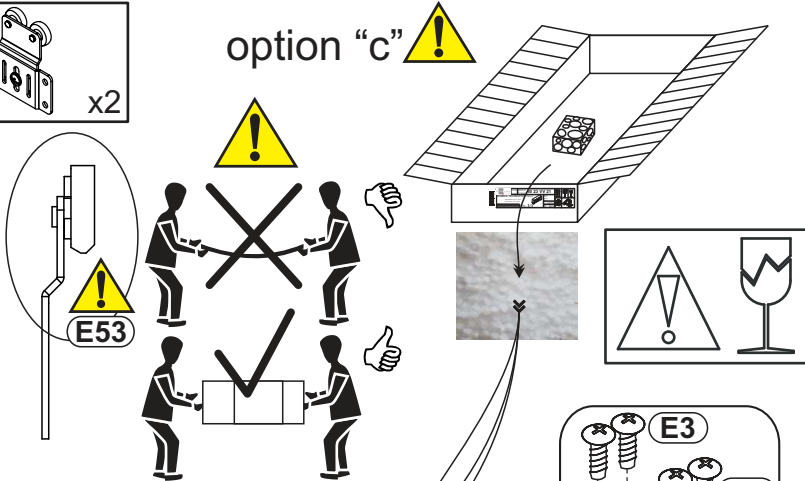
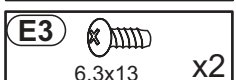
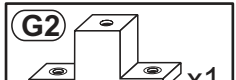
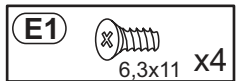
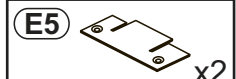
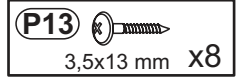
## 10



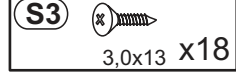
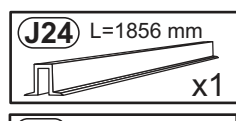
## 11



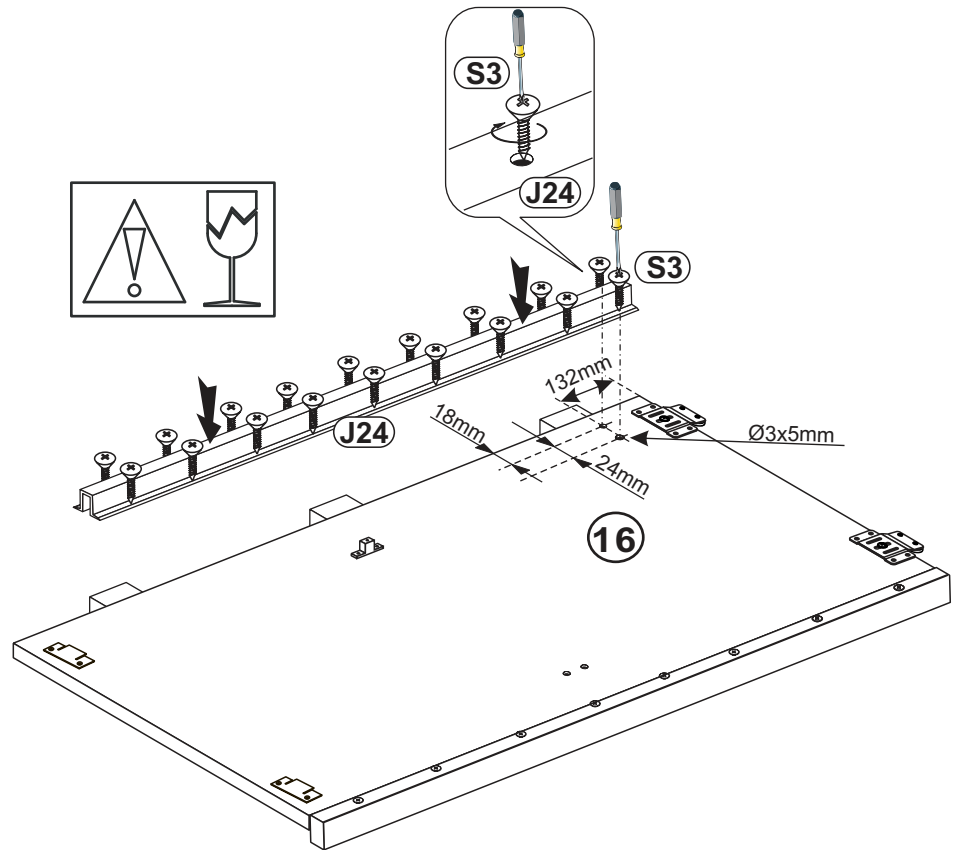
option "c"



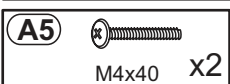
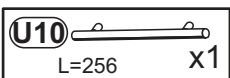
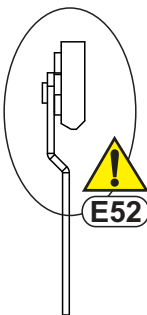
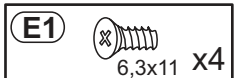
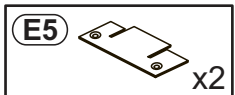
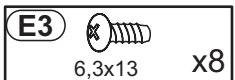
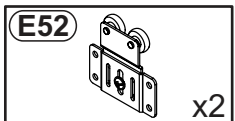
## 12



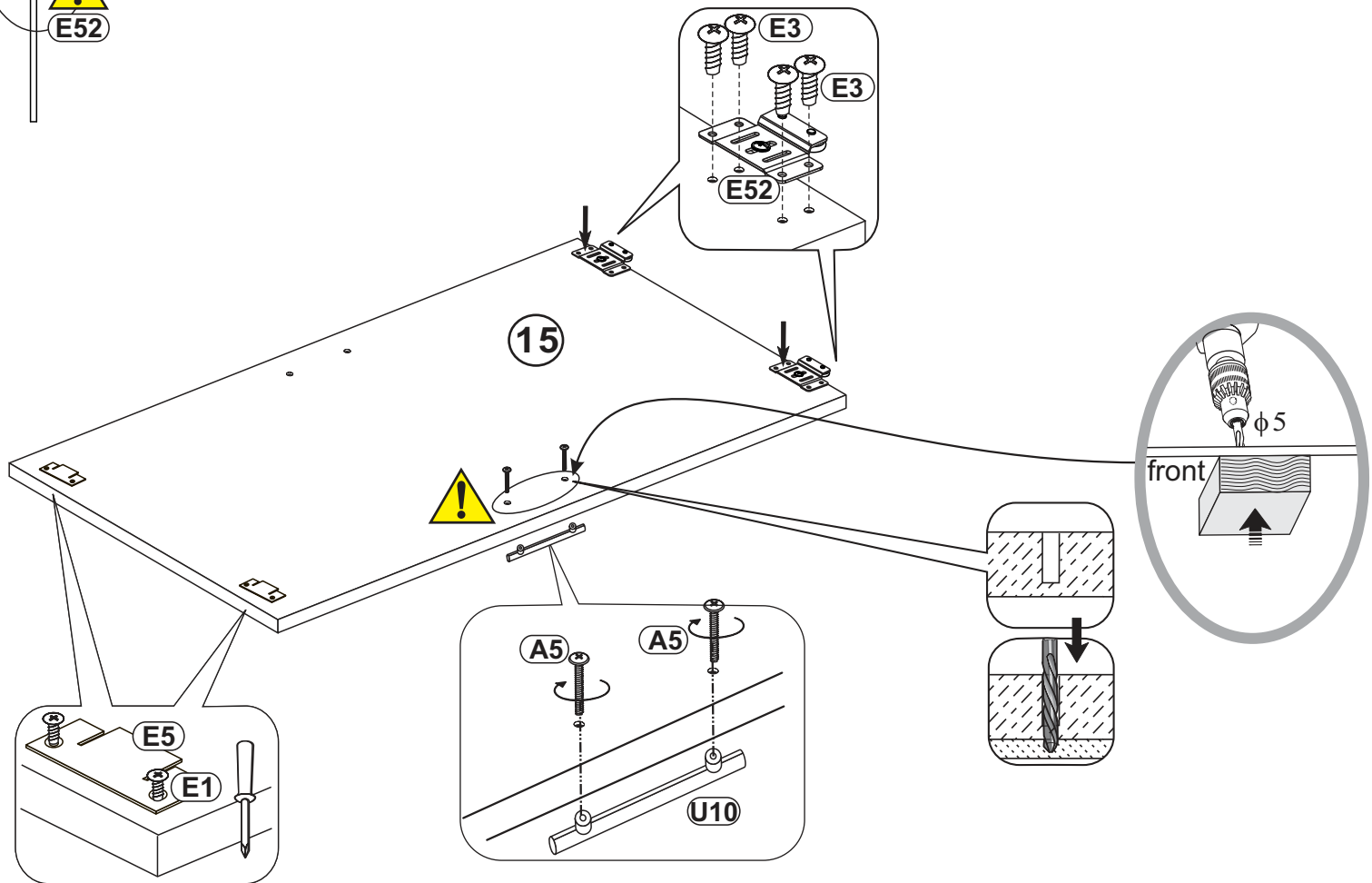
option "c"



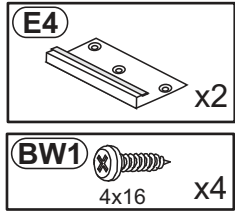
13



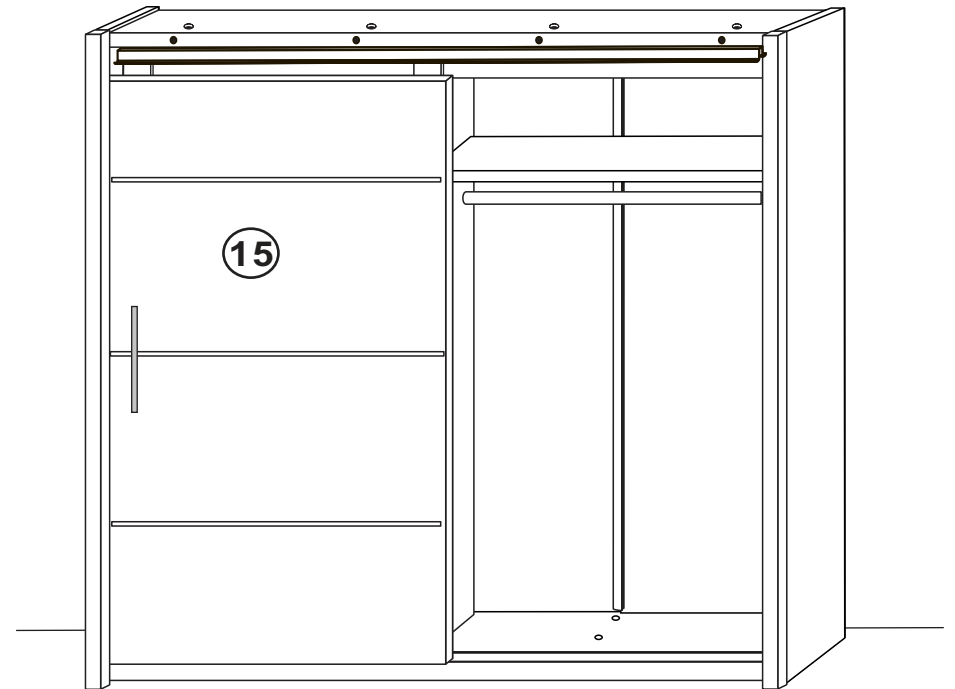
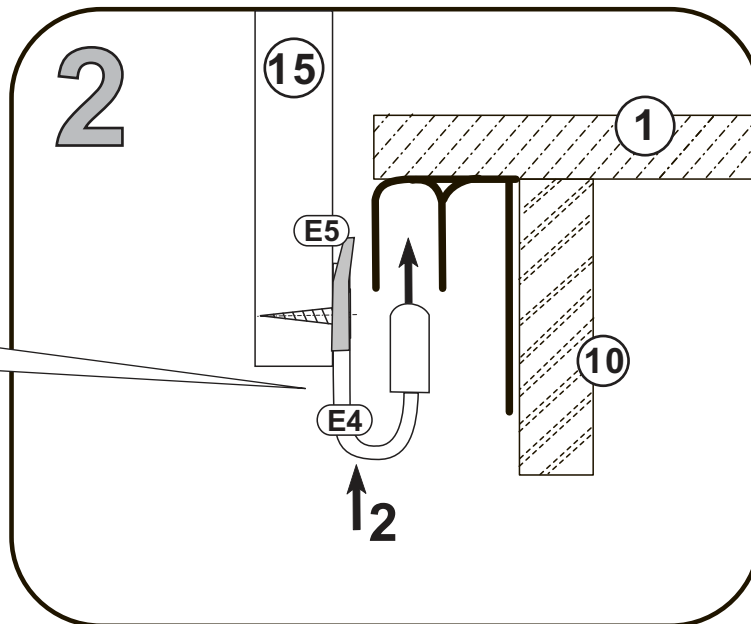
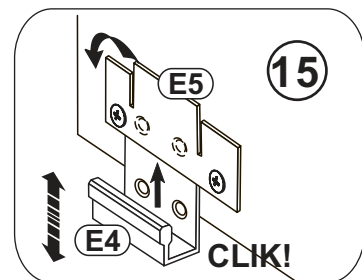
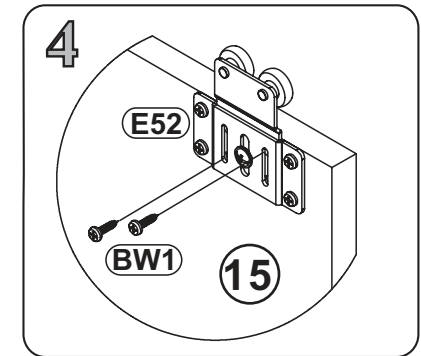
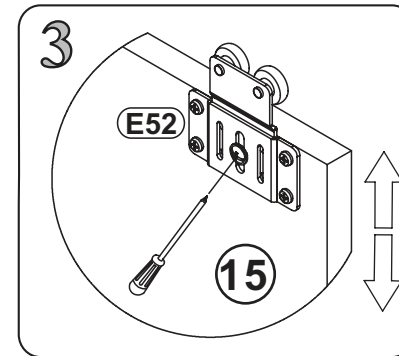
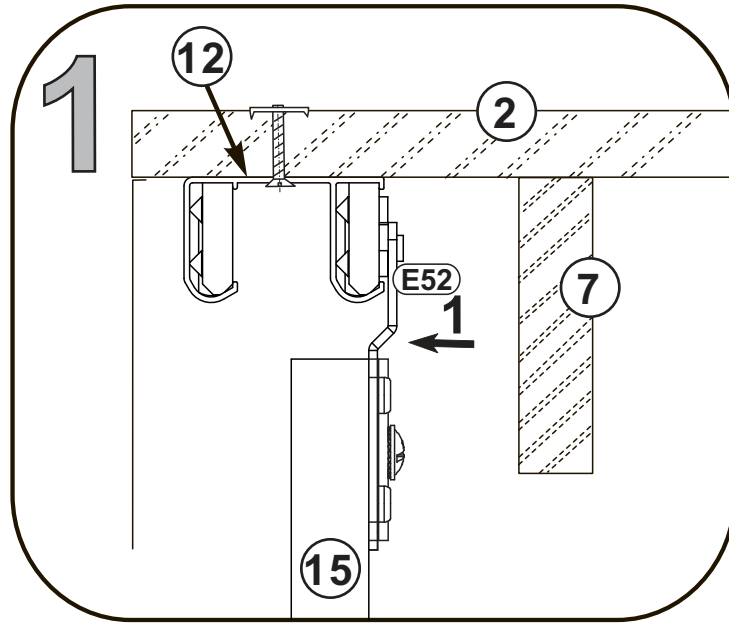
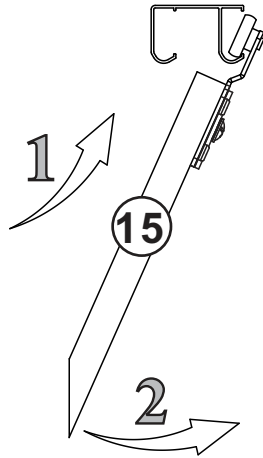
option "c"



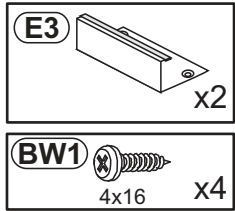
# 14



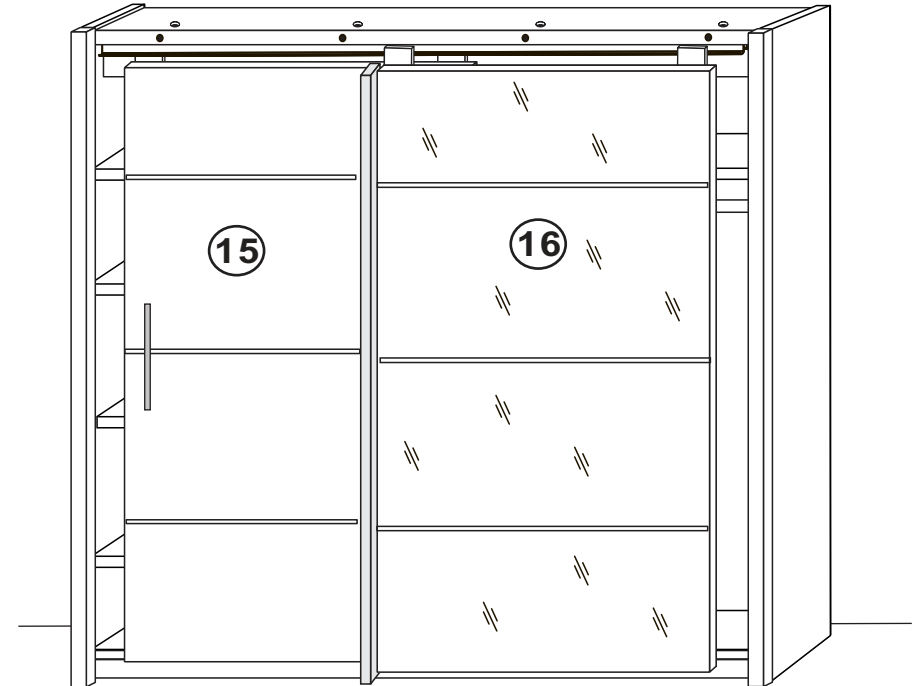
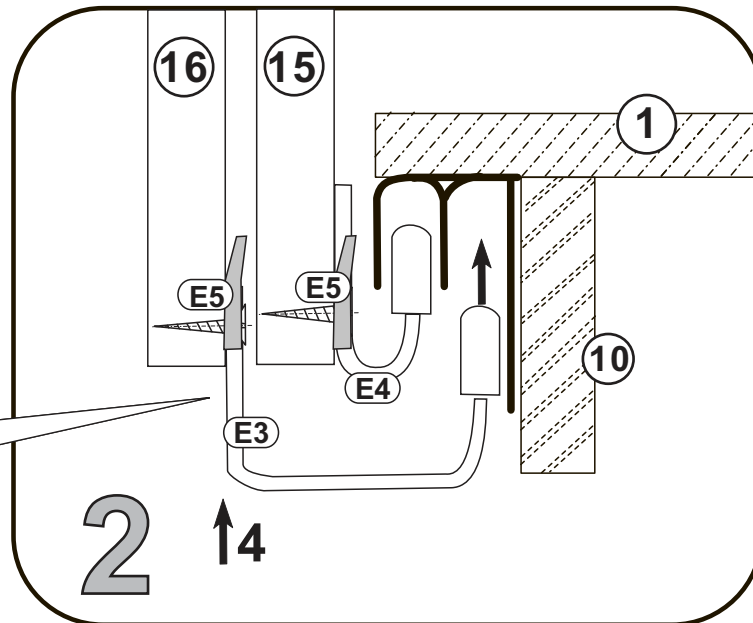
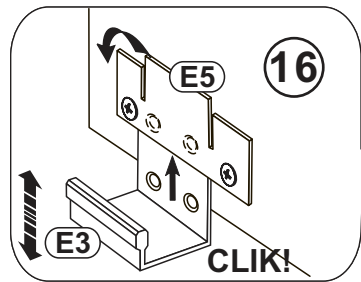
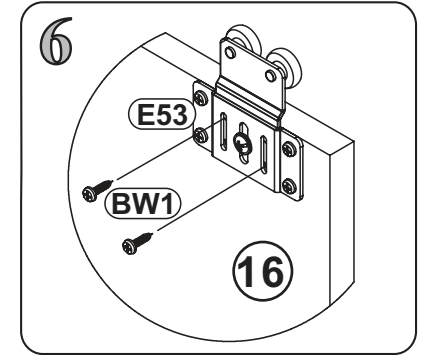
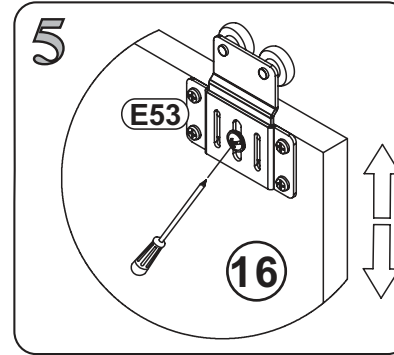
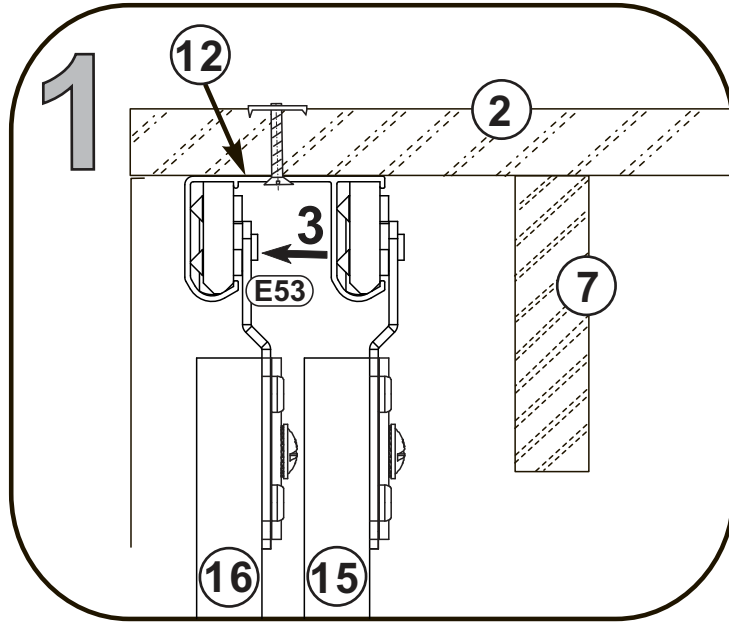
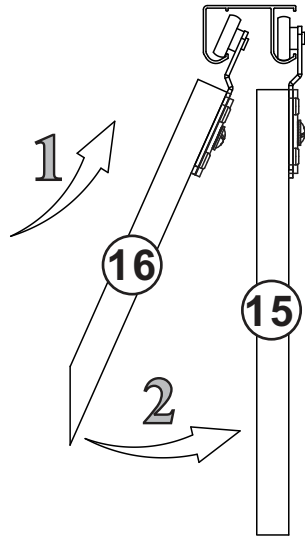
option "c" 



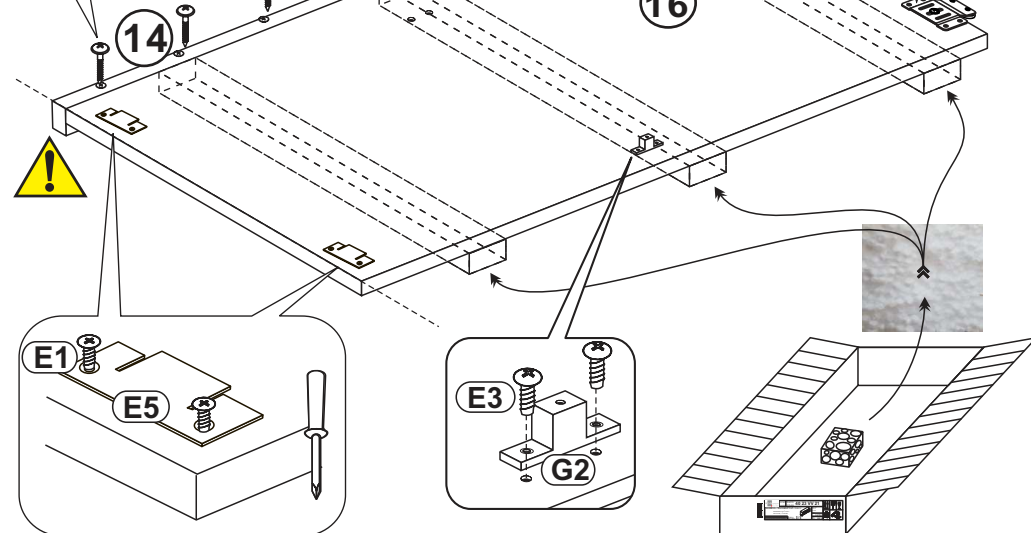
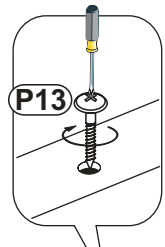
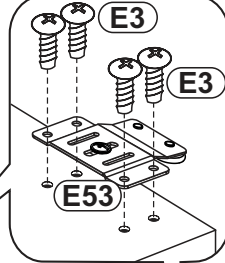
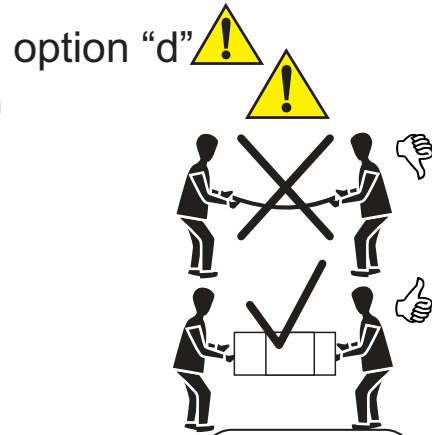
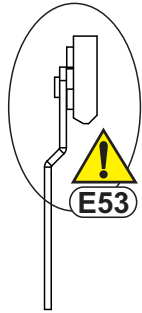
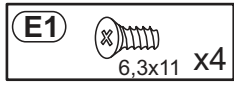
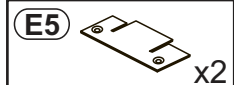
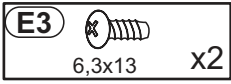
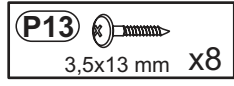
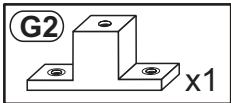
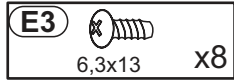
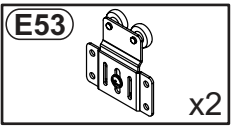
## 15



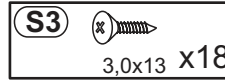
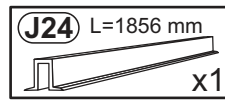
option "c" 



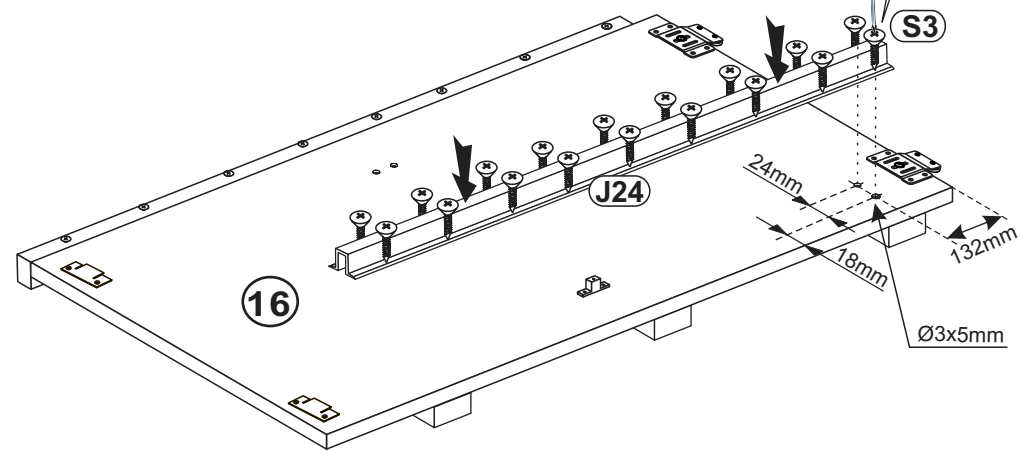
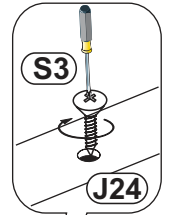
16



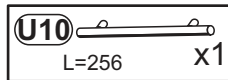
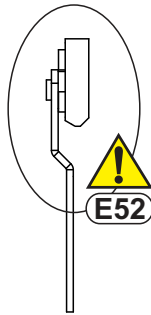
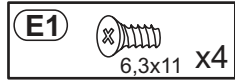
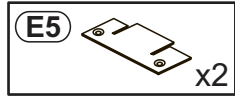
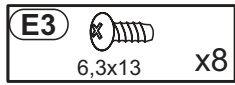
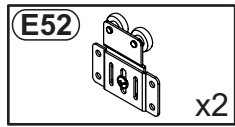
17



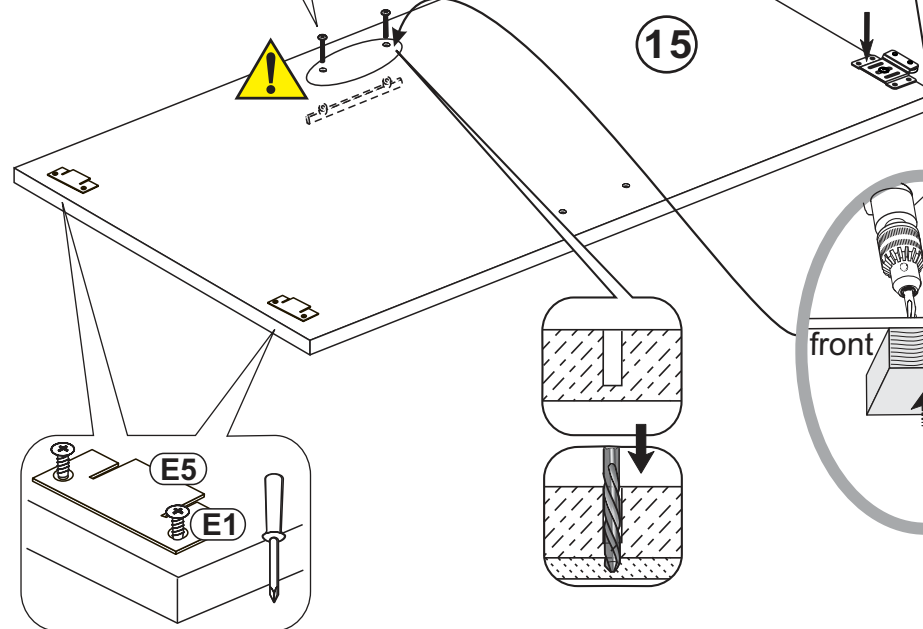
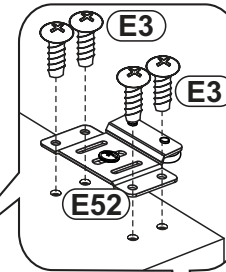
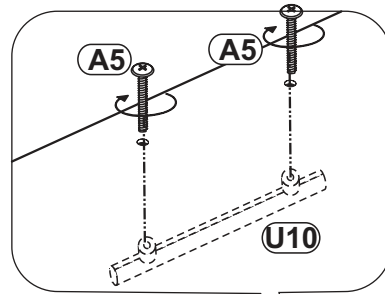
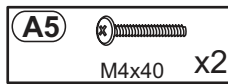
option "d"



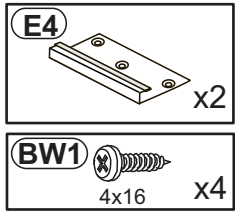
18



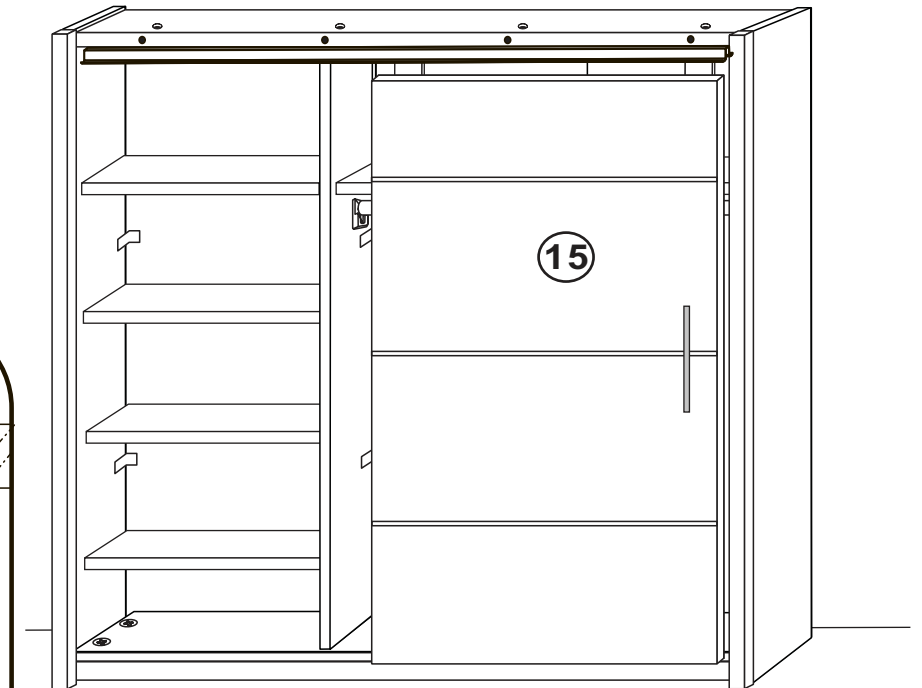
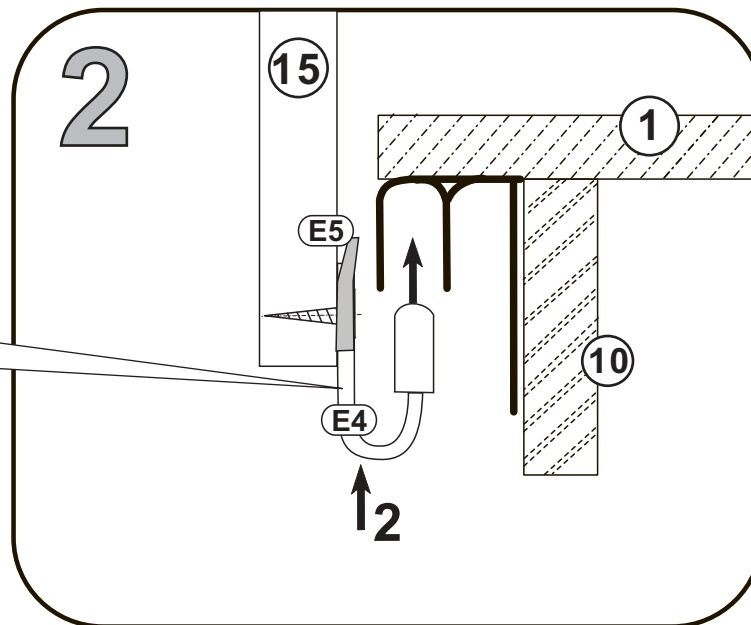
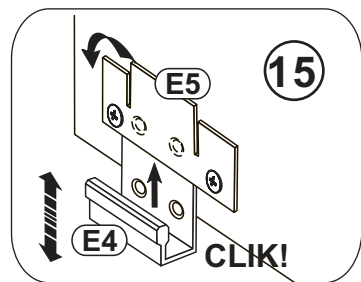
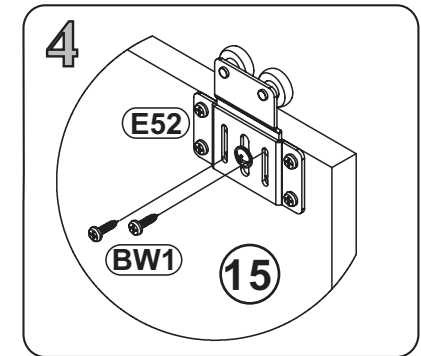
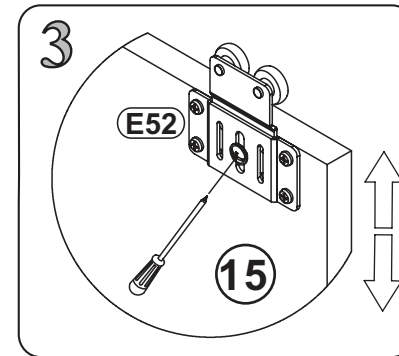
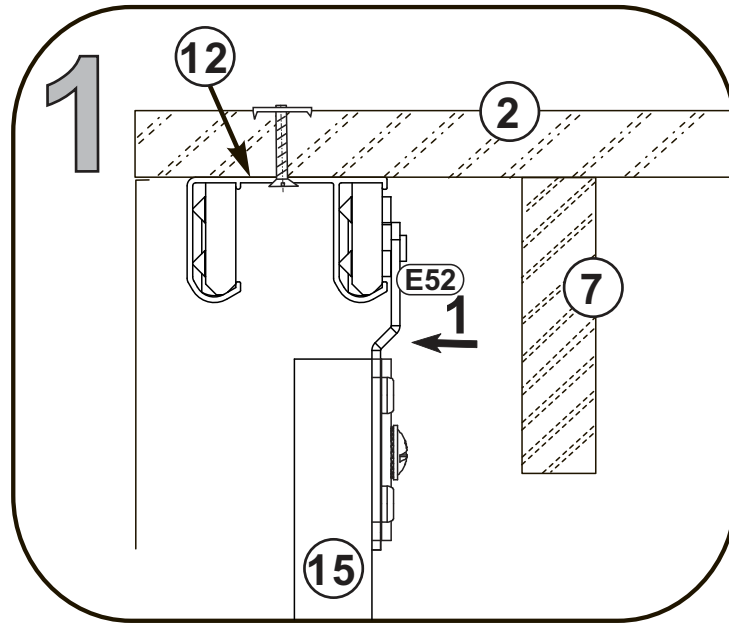
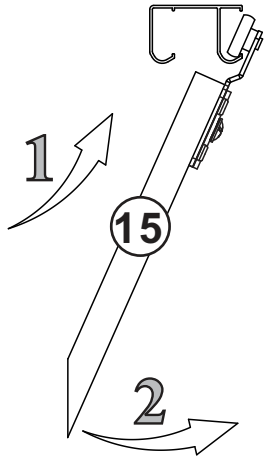
option "d" 



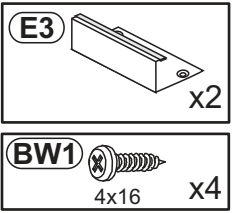
## 19



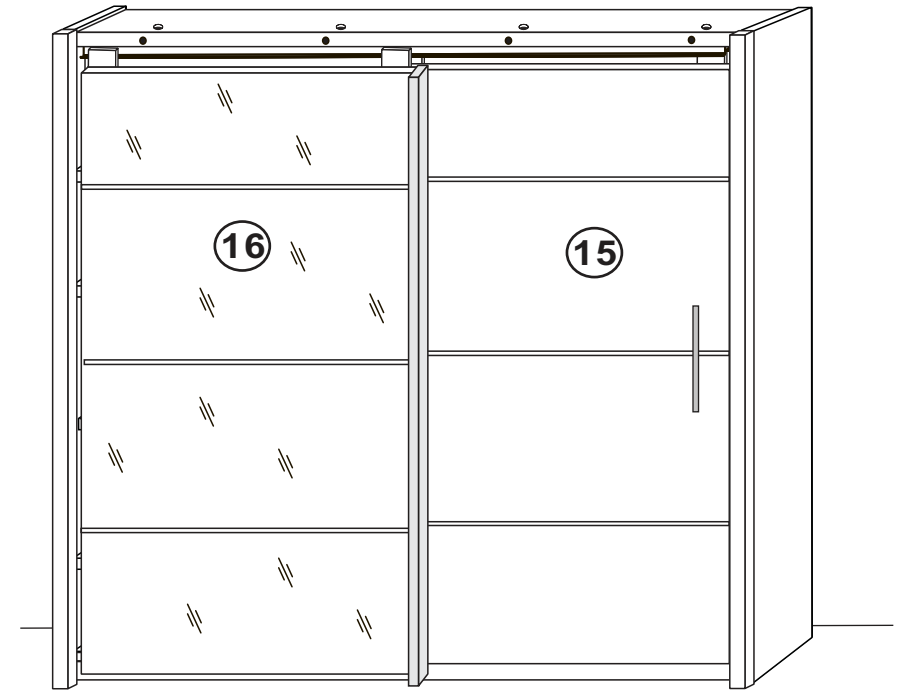
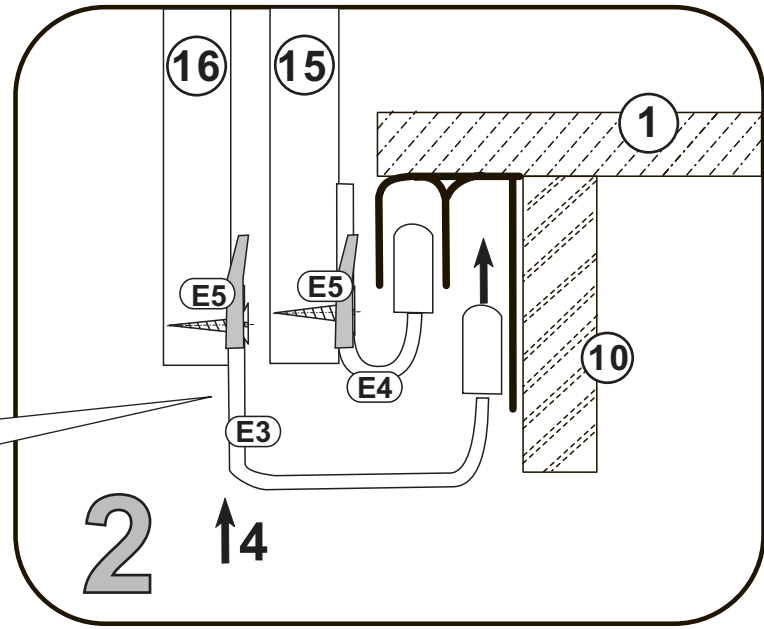
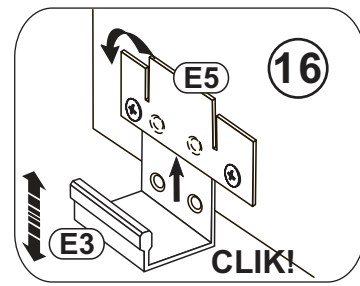
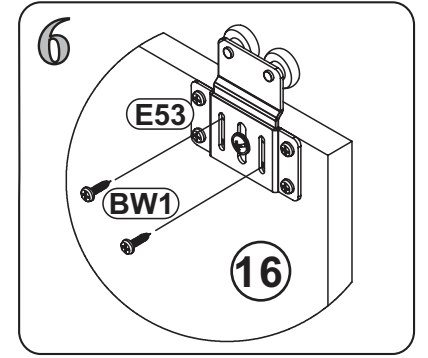
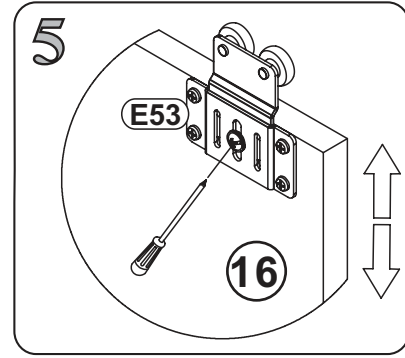
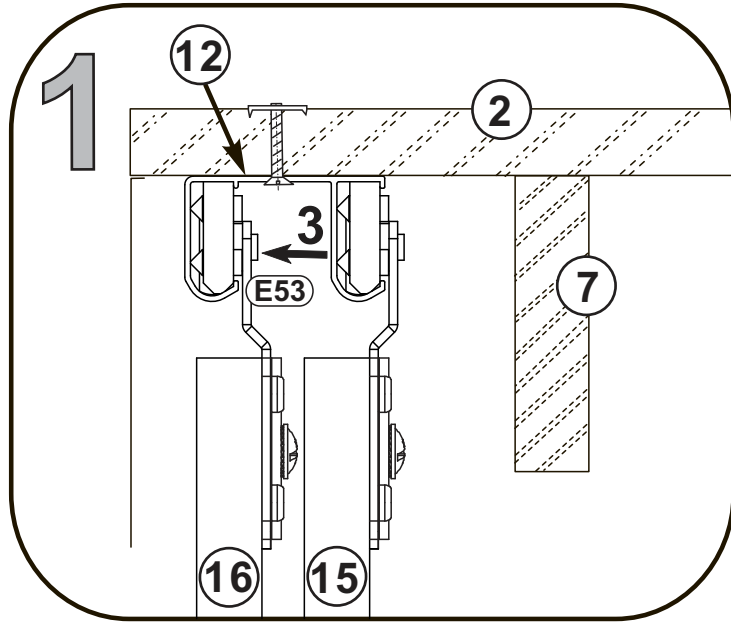
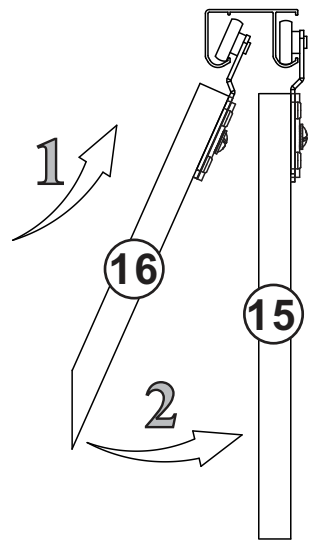
option "d" 



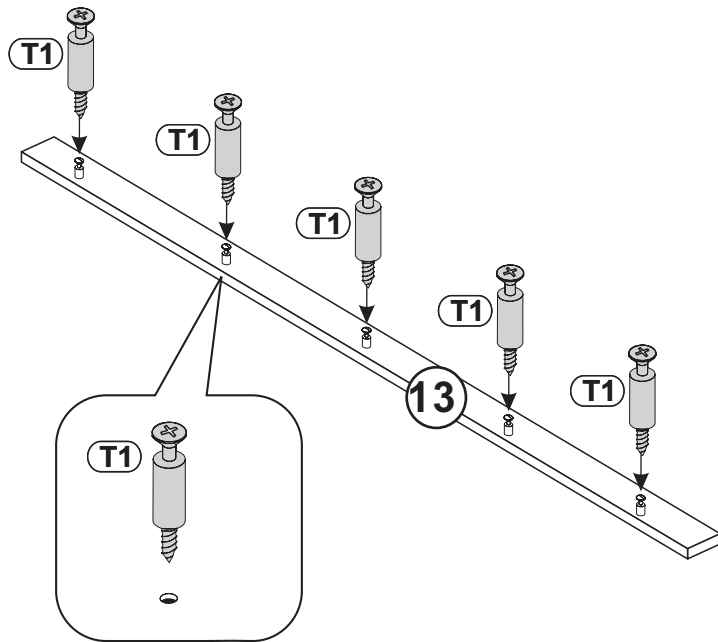
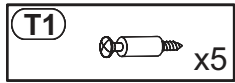
## 20



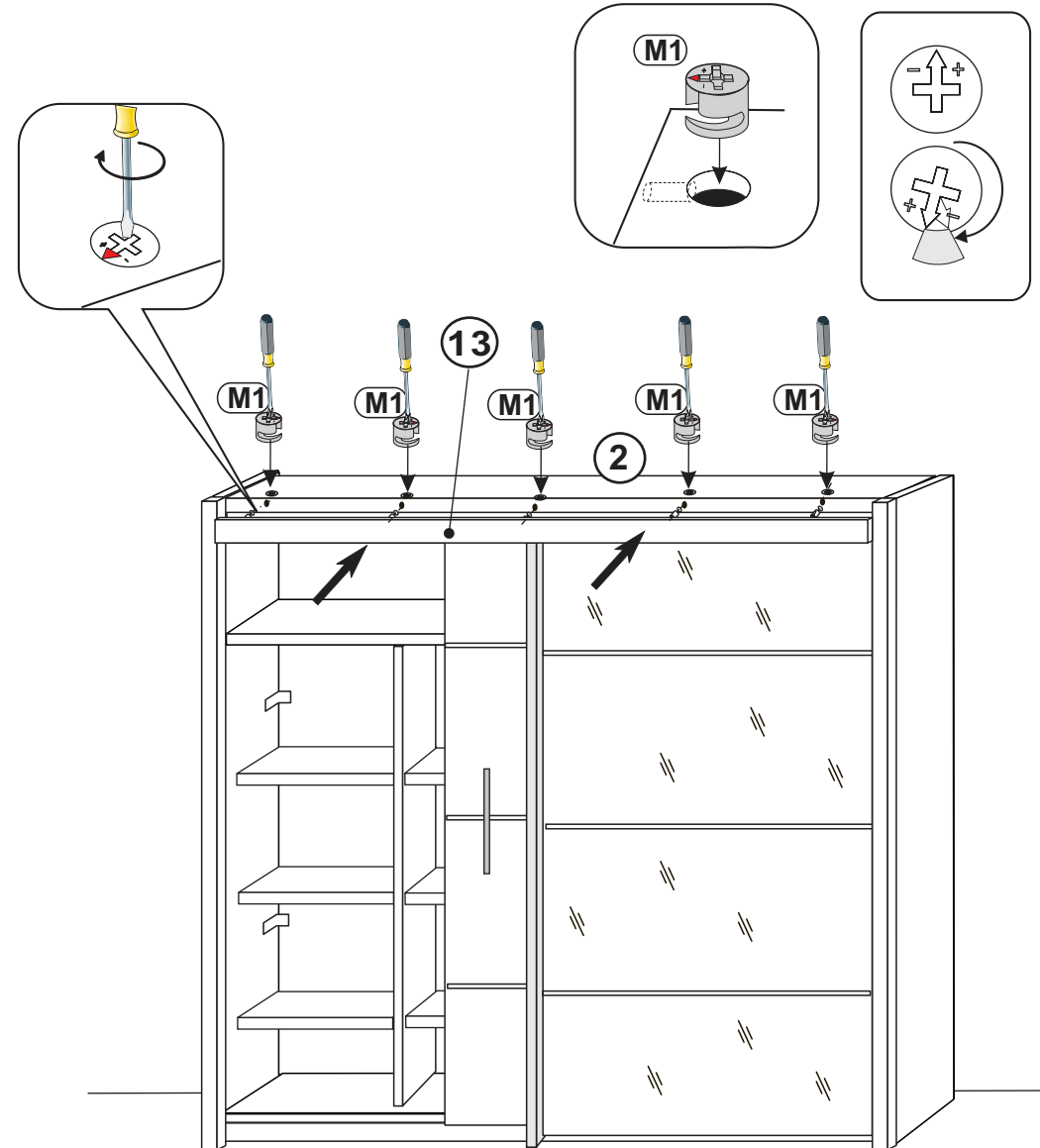
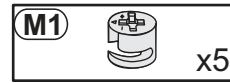
option "d" 




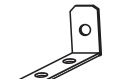

21



22



23

- L4**  x3
- J11**  x2
- P13**  3,5x13 mm x4

