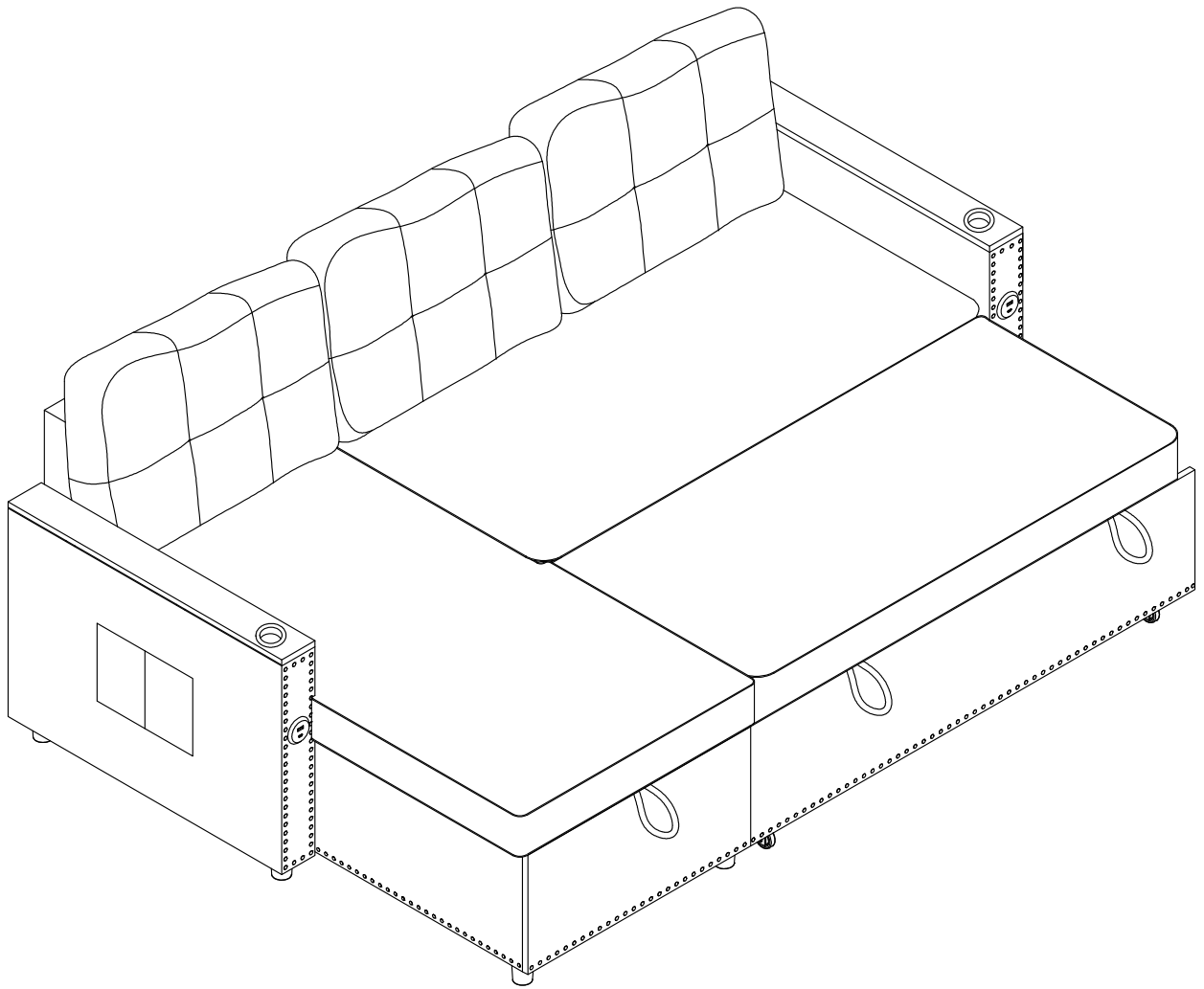


# Instruction Manual



**Sofa**

## **EN | ES**

Contact us first if you have any problems, we would do better than Amazon's official service. Replacement for missing or damaged parts will be shipped ASAP!

## **EN | ES**

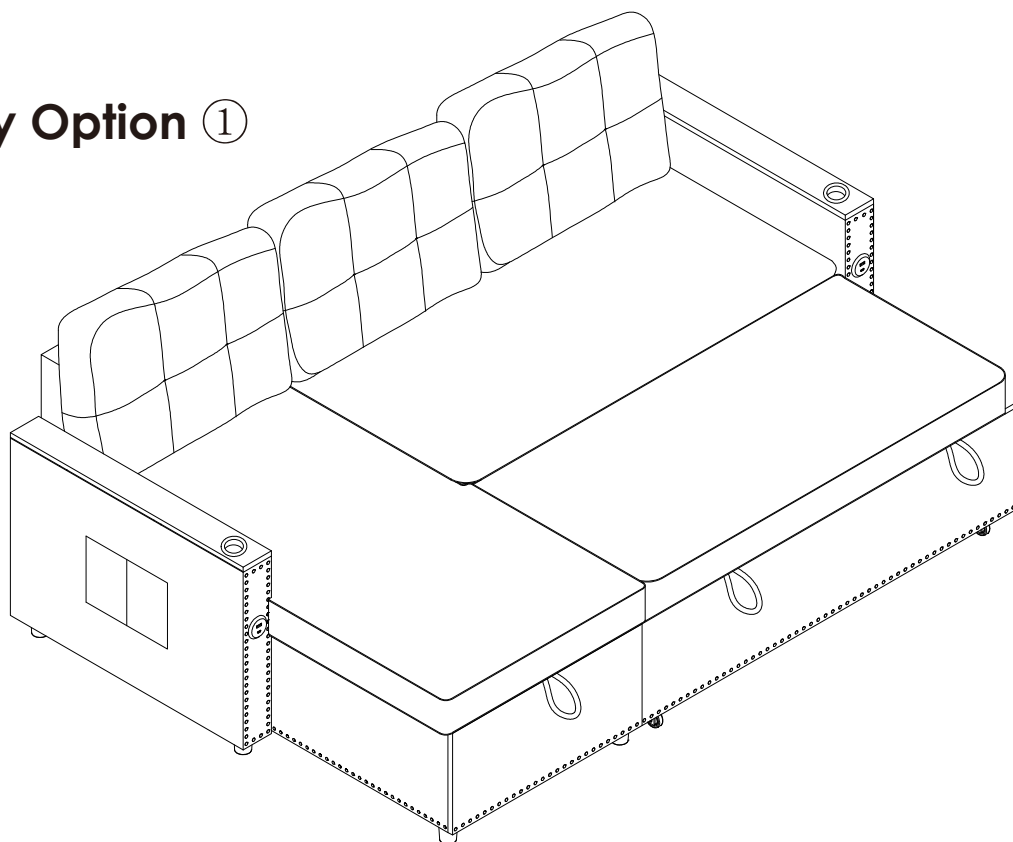
Si tiene algún problema con su producto o pedido, póngase en contacto con nosotros antes de consultar con el servicio de atención al cliente de Amazon, le resolveremos su problema con mayor brevedad. ¡Reemplazamos piezas perdidas o dañadas enviándolas rápidamente

Please read the assembly instructions carefully.

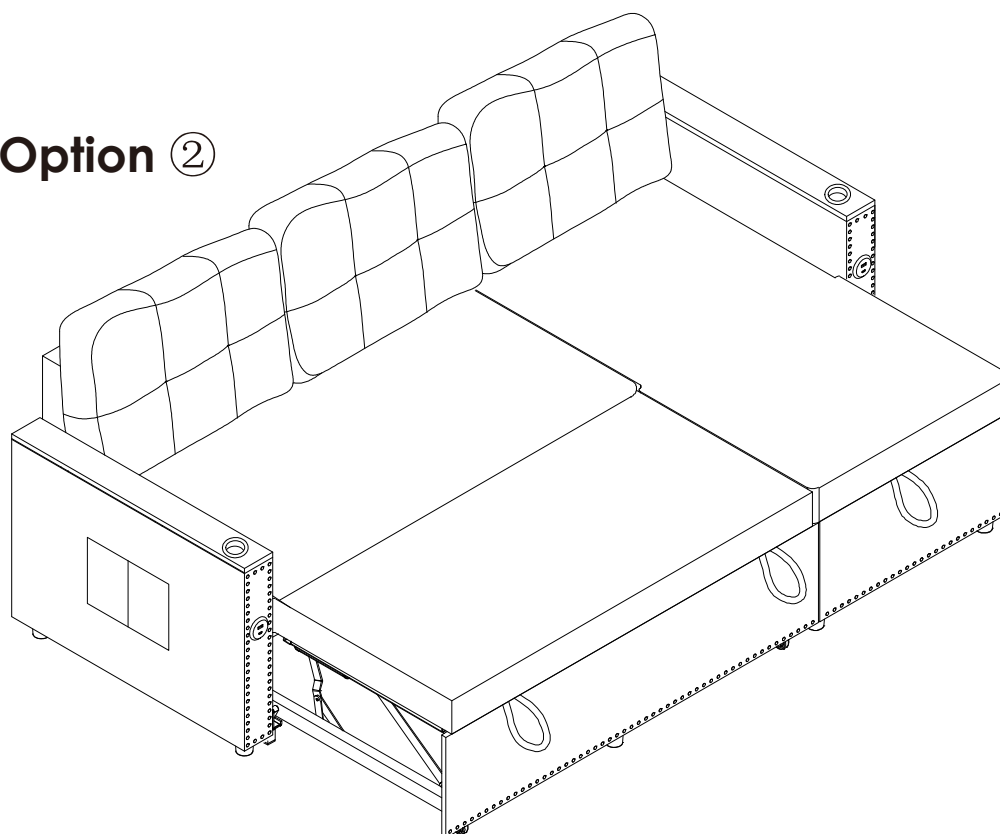
There are two sofa types: ① and ②

You can choose ① or ② to assemble according to your needs.

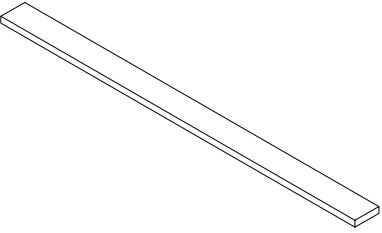
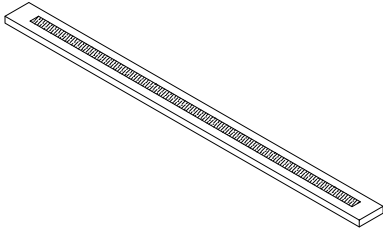
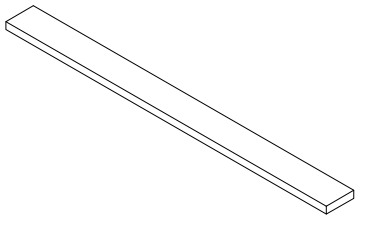
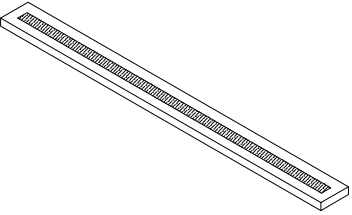
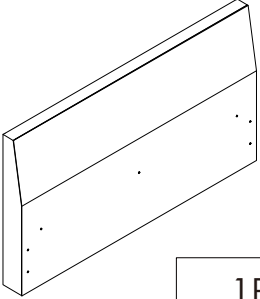
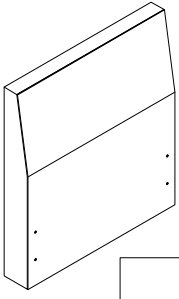
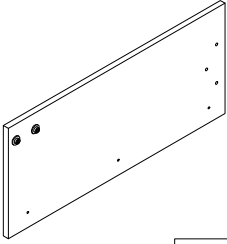
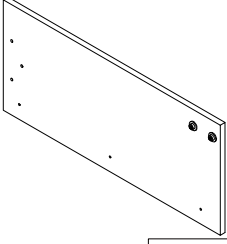
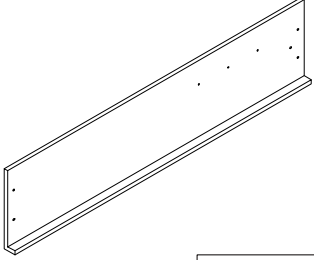
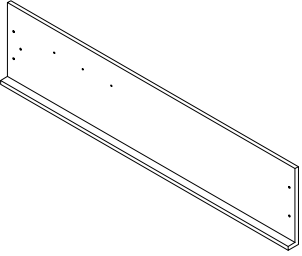
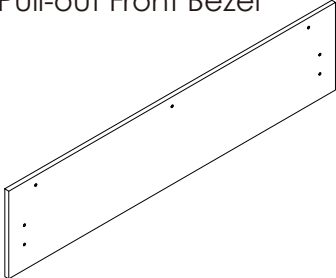
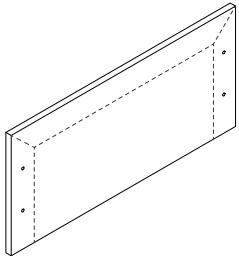
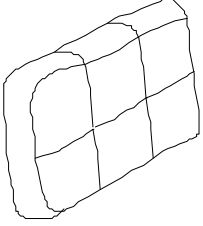
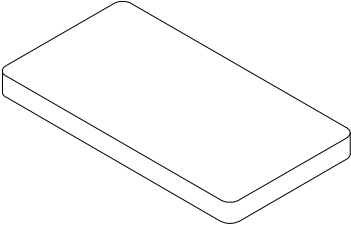
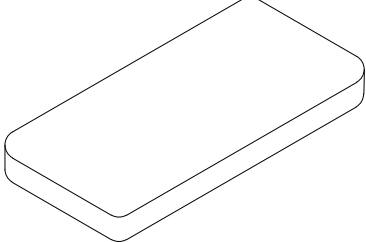
### Assembly Option ①



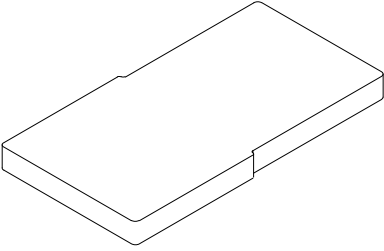
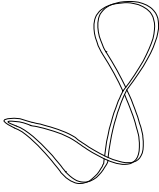
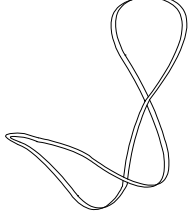
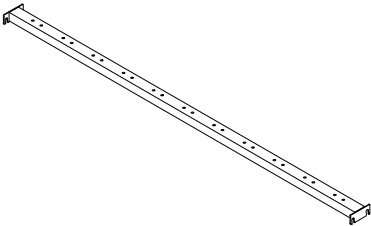
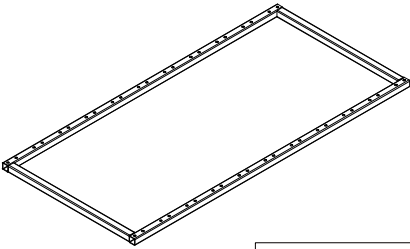
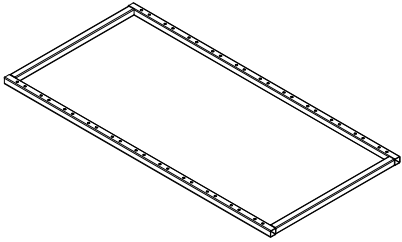
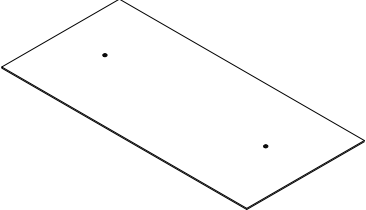
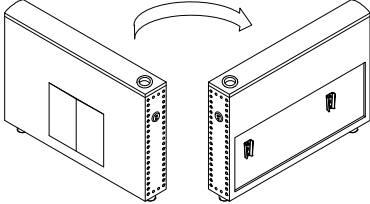
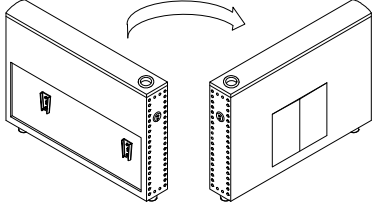
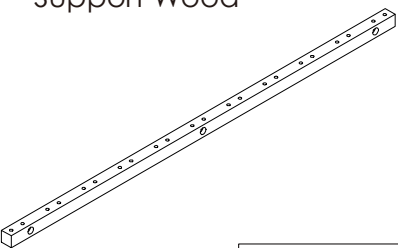
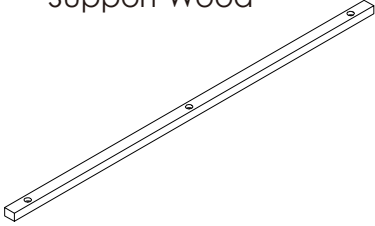

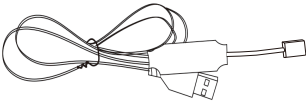
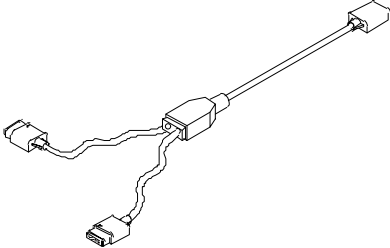
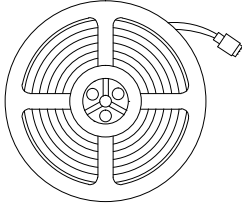
### Assembly Option ②



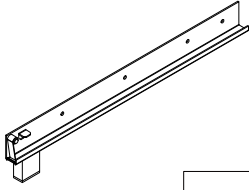
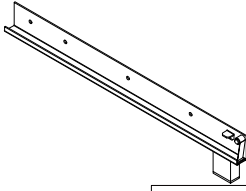
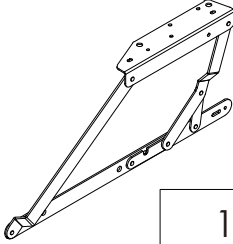
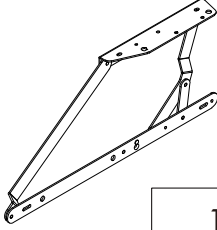
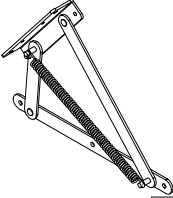
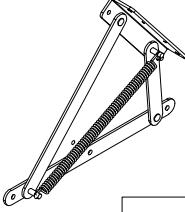
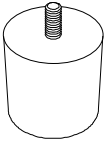
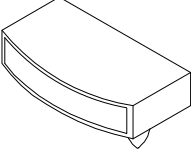
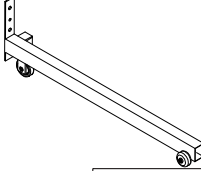
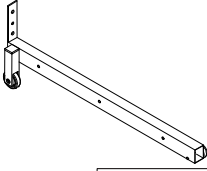
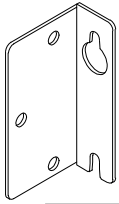
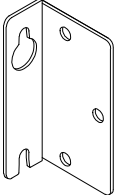
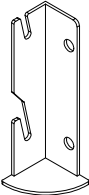
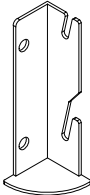
## Main Structure Accessories

<p><b>A</b> Long wood slats</p>  <p>18PCS</p>	<p><b>A1</b> Long wood slats with verlco</p>  <p>4PCS</p>	<p><b>B</b> Short Slats</p>  <p>9PCS</p>
<p><b>B1</b> Short Slats with verlco</p>  <p>2PCS</p>	<p><b>C</b> Two-Seat Back Frame</p>  <p>1PC</p>	<p><b>C1</b> Back frame of chaise</p>  <p>1PC</p>
<p><b>D</b> Left seat frame board of 2 seater</p>  <p>1PC</p>	<p><b>D1</b> Right seat frame board of 2 seater</p>  <p>1PC</p>	<p><b>D2</b> Chaise Left Side Board</p>  <p>1PC</p>
<p><b>D3</b> Chaise Right Side Board</p>  <p>1PC</p>	<p><b>E</b> Pull-out Front Bezel</p>  <p>1PC</p>	<p><b>E1</b> Front board of chaise</p>  <p>1PC</p>
<p><b>F</b> Back Cushion</p>  <p>3PCS</p>	<p><b>F1</b> Two-Seat Sitting Pad</p>  <p>1PC</p>	<p><b>F2</b> Pull-out Bed Sitting Pad</p>  <p>1PC</p>

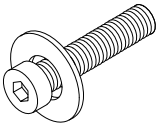
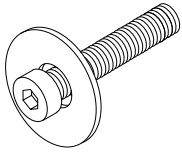

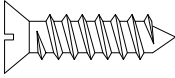
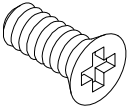
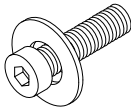
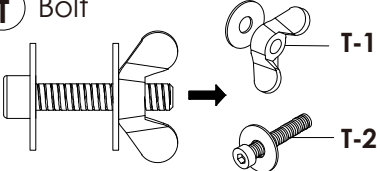
## Main Structure Accessories

<p><b>F3</b> Chaise Sitting Pad</p>  <p>1PC</p>	<p><b>F4</b> Short Rope</p>  <p>short</p> <p>1PC</p>	<p><b>F4-1</b> Long Rope</p>  <p>long</p> <p>2PCS</p>
<p><b>G</b> Two-Seat Front Brace</p>  <p>1PC</p>	<p><b>H</b> Pull-out Metal Frame</p>  <p>1PC</p>	<p><b>H1</b> Chaise Metal Frame</p>  <p>1PC</p>
<p><b>Q</b> Chaise Storage Board</p>  <p>1PC</p>	<p><b>R1</b> Left Armrest</p>  <p>1PC</p>	<p><b>R2</b> Right Armrest</p>  <p>1PC</p>
<p><b>Z</b> Two-Seat Back Support Wood</p>  <p>1PC</p>	<p><b>Z1</b> Two-Seat Front Support Wood</p>  <p>1PC</p>	<p><b>W2</b> Remote Control</p>  <p>1PC</p>
<p><b>X2</b> Connect Wire</p>  <p>1PC</p>	<p><b>X3</b> Y Connect Wire</p>  <p>1PC</p>	<p><b>X4</b> LED light strip</p>  <p>2PCS</p>

## Structural Accessories

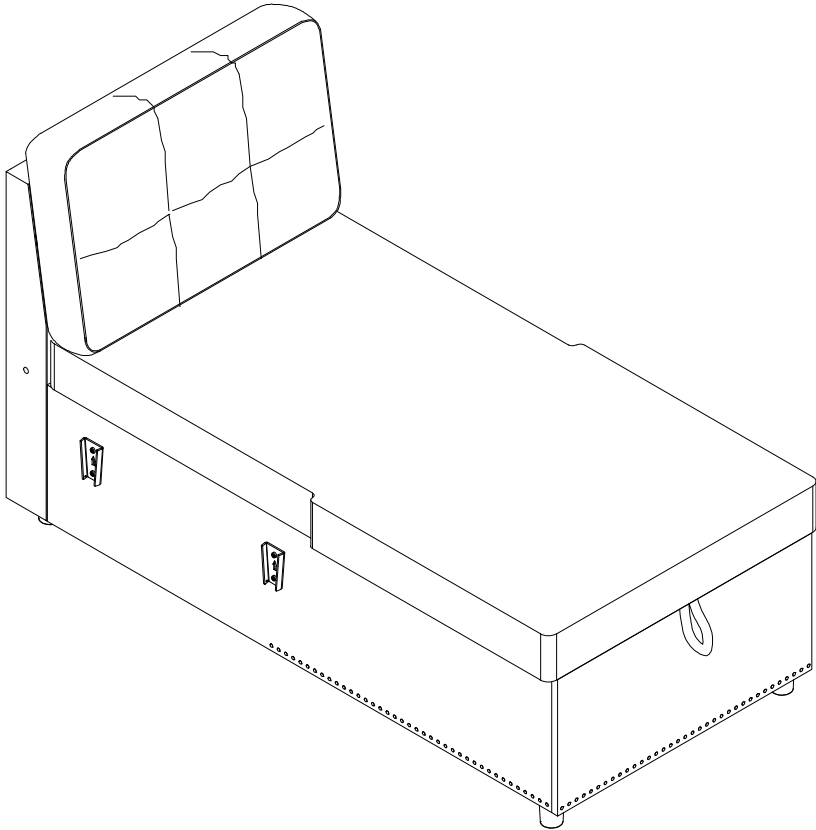
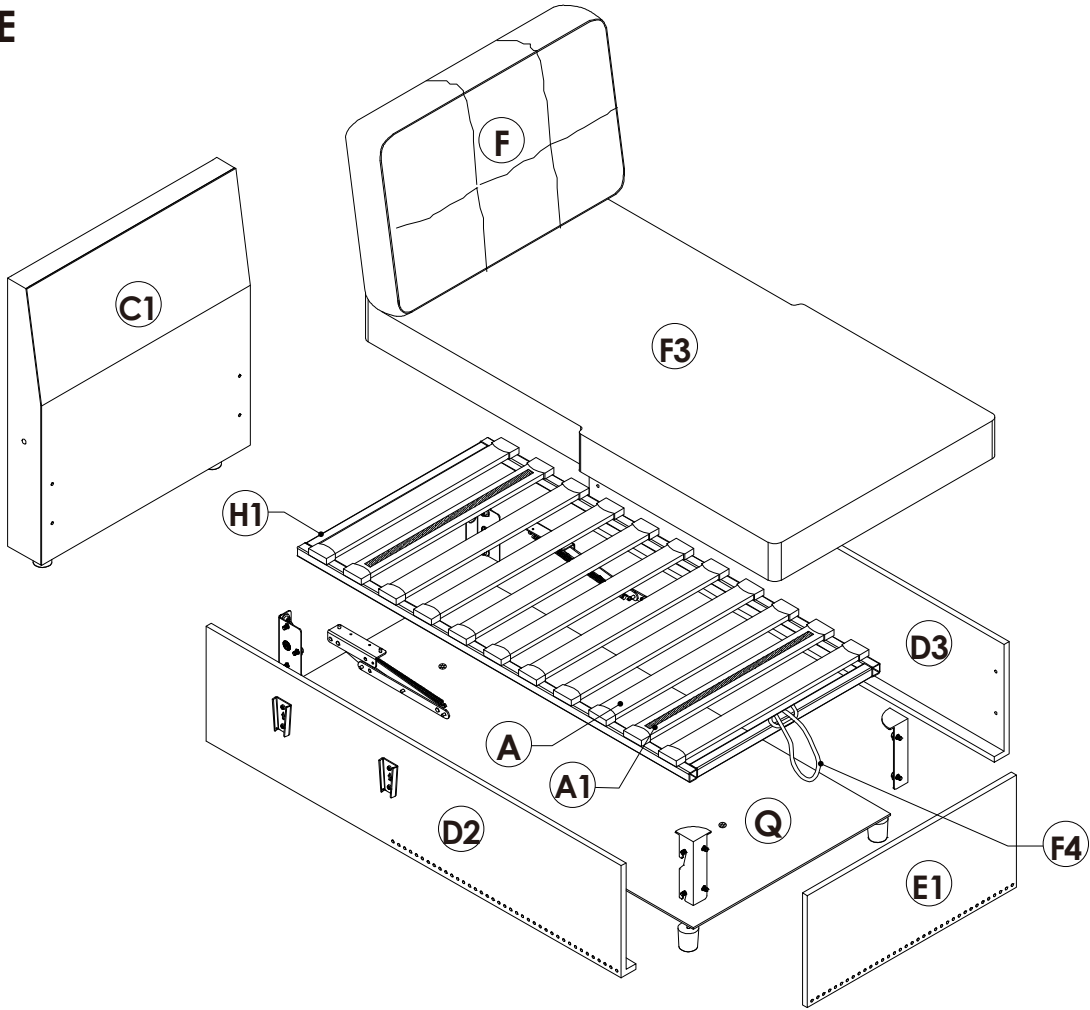
<p><b>J</b> Left metal track of pull-out bed</p>  <p>1PC</p>	<p><b>J1</b> Right metal track of pull-out bed</p>  <p>1PC</p>	<p><b>K</b> Pull-out Left Connector</p>  <p>1PC</p>	
<p><b>K1</b> Pull-out Right Connector</p>  <p>1PC</p>	<p><b>L</b> Chaise Right Connector</p>  <p>1PC</p>	<p><b>L1</b> Chaise Left Connector</p>  <p>1PC</p>	
<p><b>M</b> Sofa Legs</p>  <p>10PCS</p>	<p><b>O</b> Slats Cap</p>  <p>66+3PCS</p>	<p><b>S</b> Right wheel tube of pull-out bed</p>  <p>1PC</p>	<p><b>S1</b> Left wheel tube of pull-out bed</p>  <p>1PC</p>
<p><b>W</b> Bracket</p>  <p>2PCS</p>	<p><b>X</b> Bracket</p>  <p>2PCS</p>	<p><b>W1</b> Bracket</p>  <p>1PC</p>	<p><b>X1</b> Bracket</p>  <p>1PC</p>

## Hardware Parts

<p><b>N</b> Small gasket</p>  <p>M8×30mm 6+2PCS</p>	<p><b>N1</b> Large gasket</p>  <p>M8×45mm 2PCS</p>	<p><b>P</b> Allen Key</p>  <p>1PC</p>	<p><b>U</b> Bolt</p>  <p>M5×14mm 8+1PCS</p>
<p><b>V</b> Bolt</p>  <p>M6×17mm 20+1PCS</p>	<p><b>Y</b> Bolt</p>  <p>M8×18mm 6PCS</p>	<p><b>T</b> Bolt</p>  <p>M8×50mm 1SET</p>	

# Main Structure Accessories

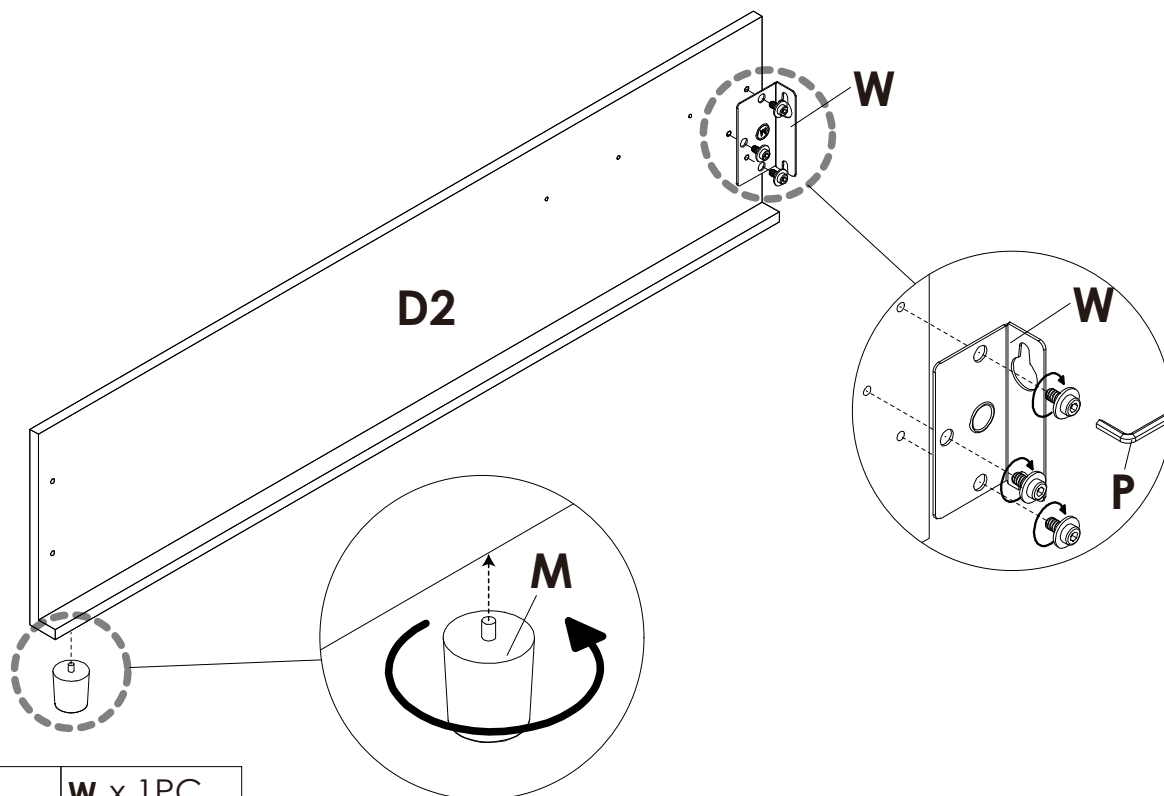
## CHAISE





## Assembly Steps(EN) / Montageschritte(DE)

### STEP 1

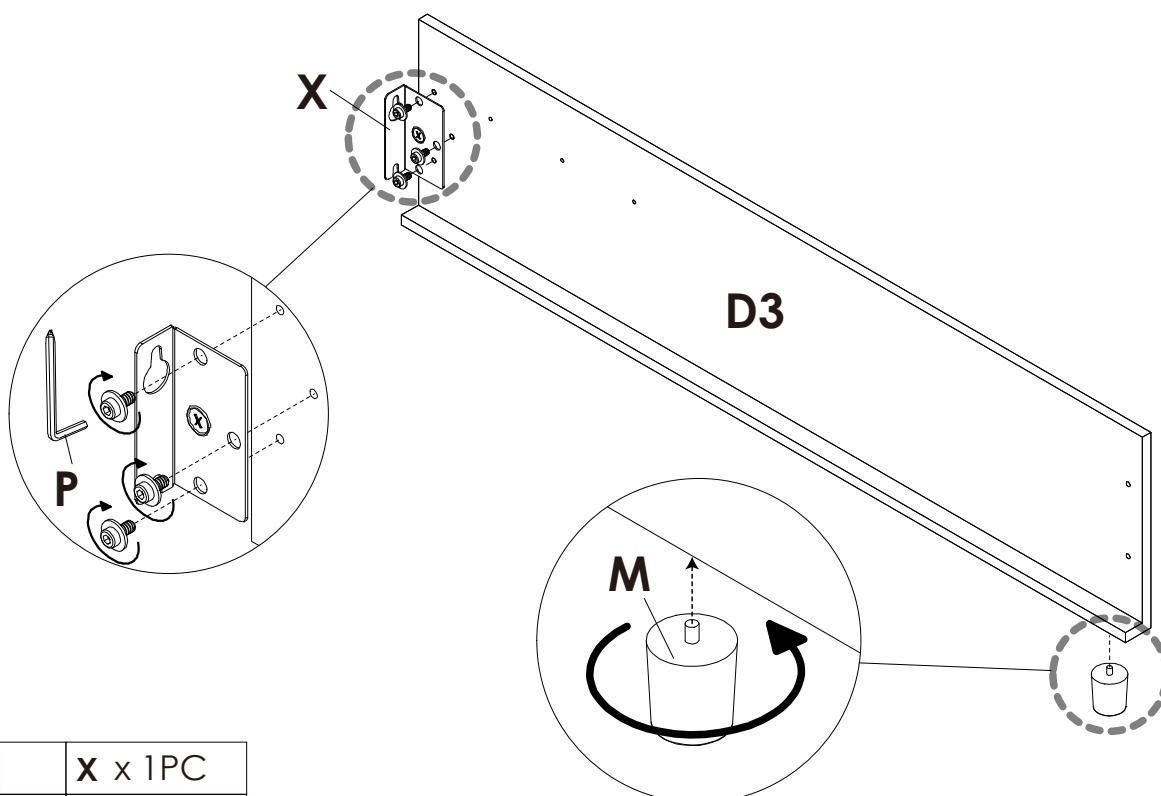
Loosen the screws first, and then lock the hanging piece  
Pay attention to the opening up on the side near the foot post





	W x 1PC
	P x 1PC

### STEP 2

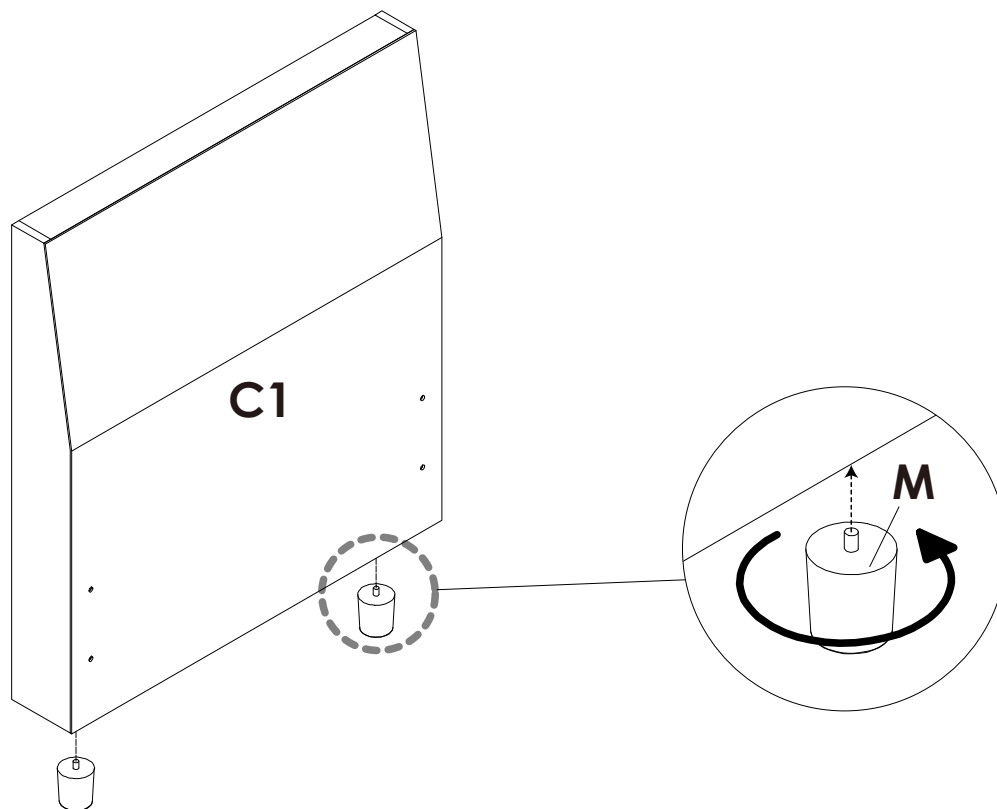
Loosen the screws first, and then lock the hanging piece  
Pay attention to the opening up on the side near the foot post



	X x 1PC
	P x 1PC

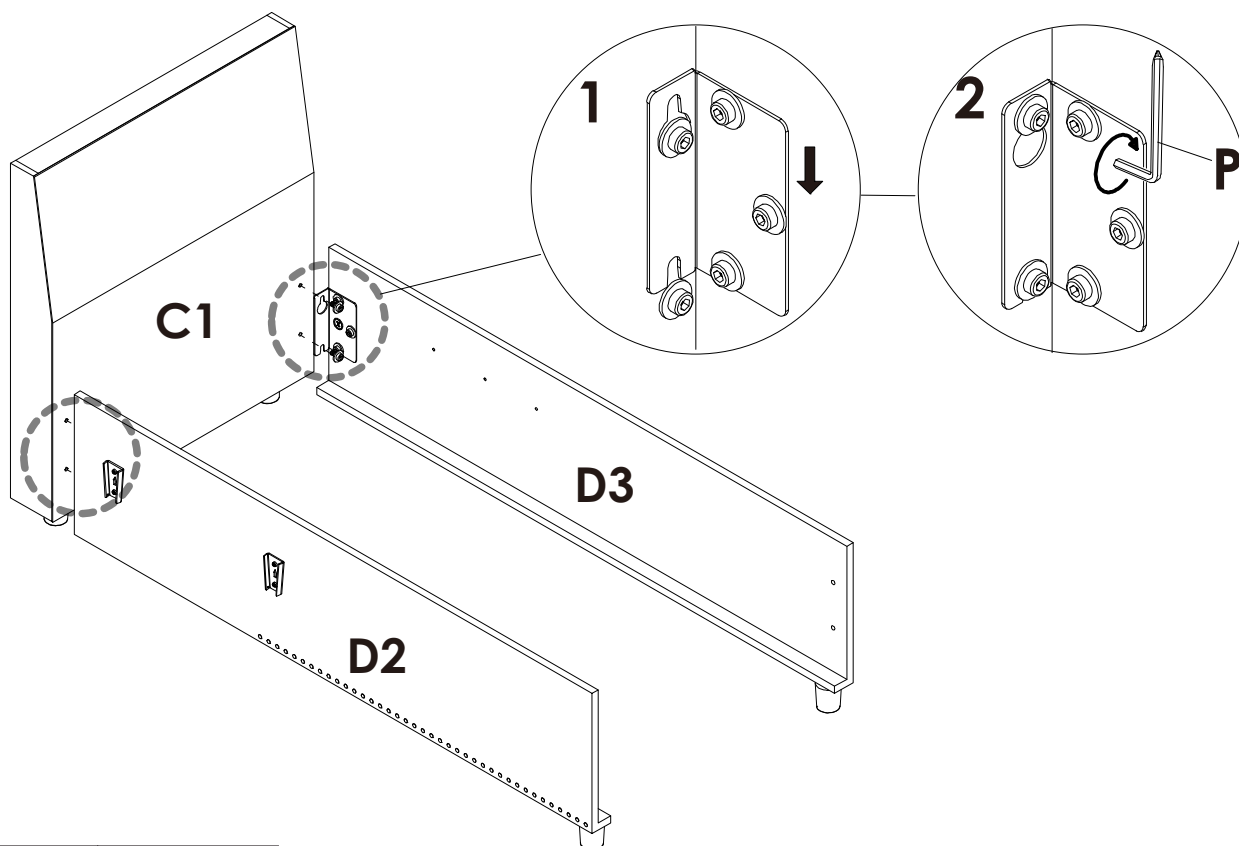
# Assembly Steps(EN) / Montageschritte(DE)

## STEP 3



## STEP 4

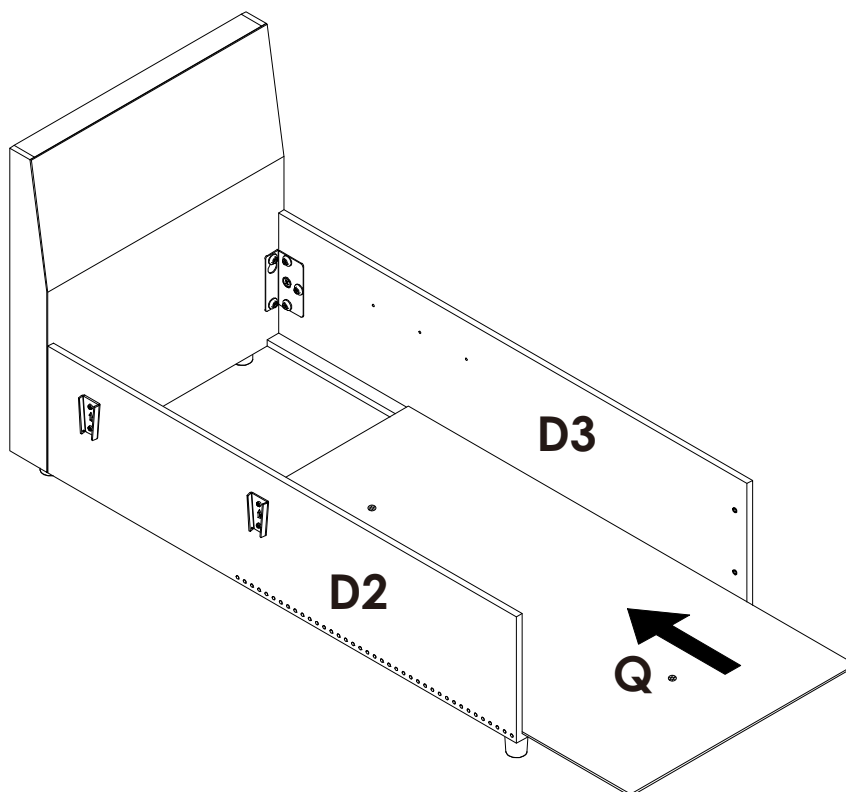
First loosen the screws, install the mounting plate, and then lock the screws.



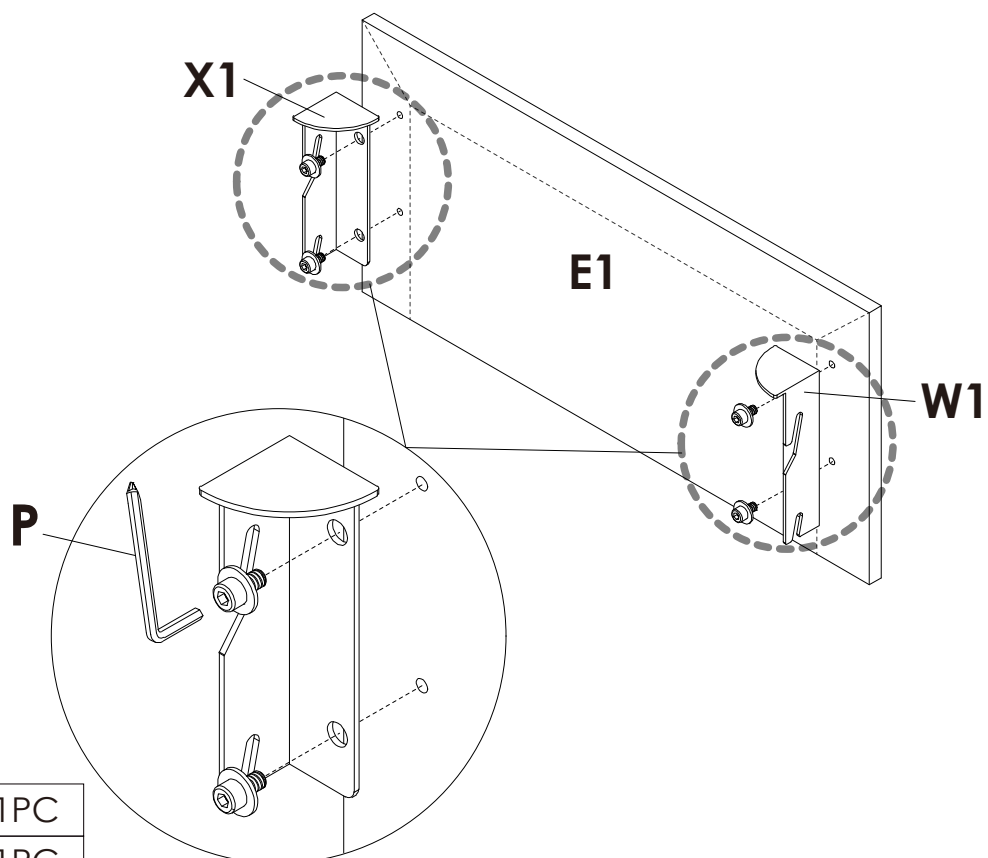
**P** x 1PC




# Assembly Steps(EN) / Montageschritte(DE)

## STEP 5



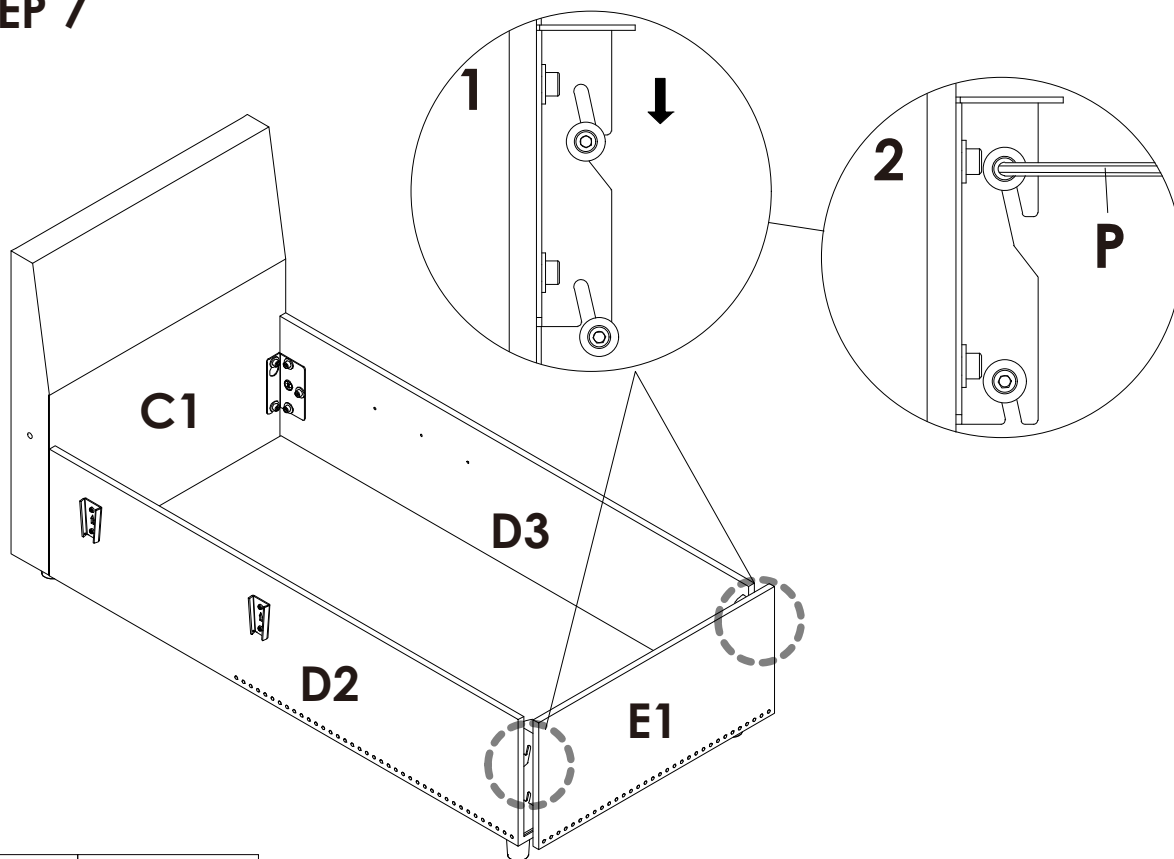
## STEP 6



	W1 x 1PC
	X1 x 1PC
	P x 1PC

# Assembly Steps(EN) / Montageschritte(DE)

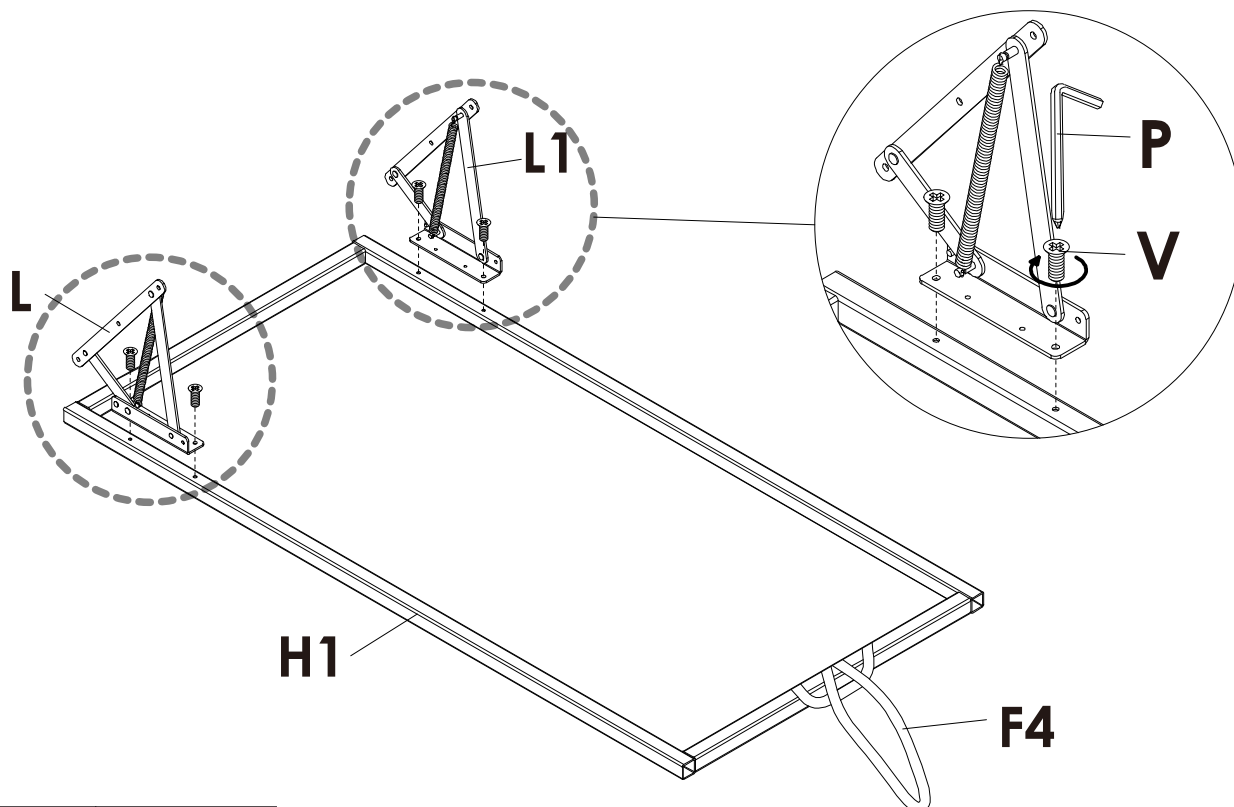
## STEP 7



**P** x 1PC

## STEP 8

Note: The accessories should be distinguished between left and right, and the screws should be tightened after installation.



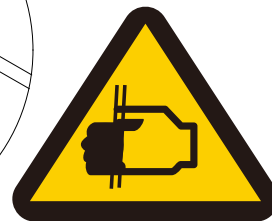
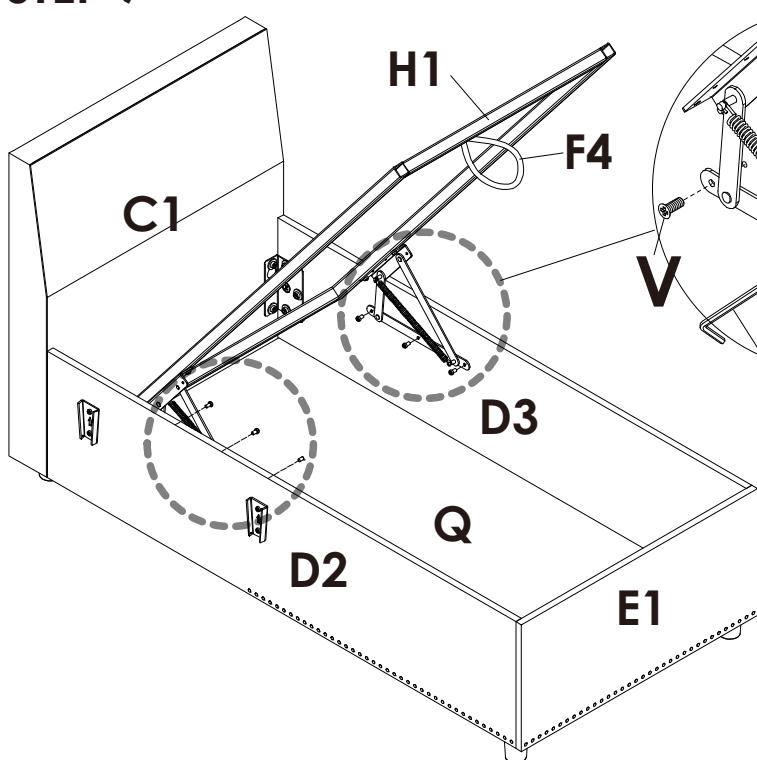
**V** x 4PCS



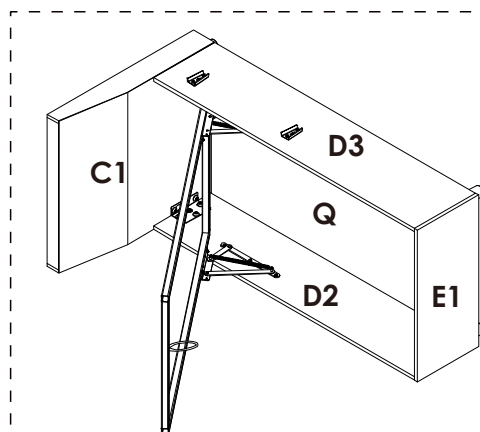
**P** x 1PC

# Assembly Steps(EN) / Montageschritte(DE)

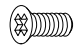

## STEP 9



WARNING: HANDS PINCHING

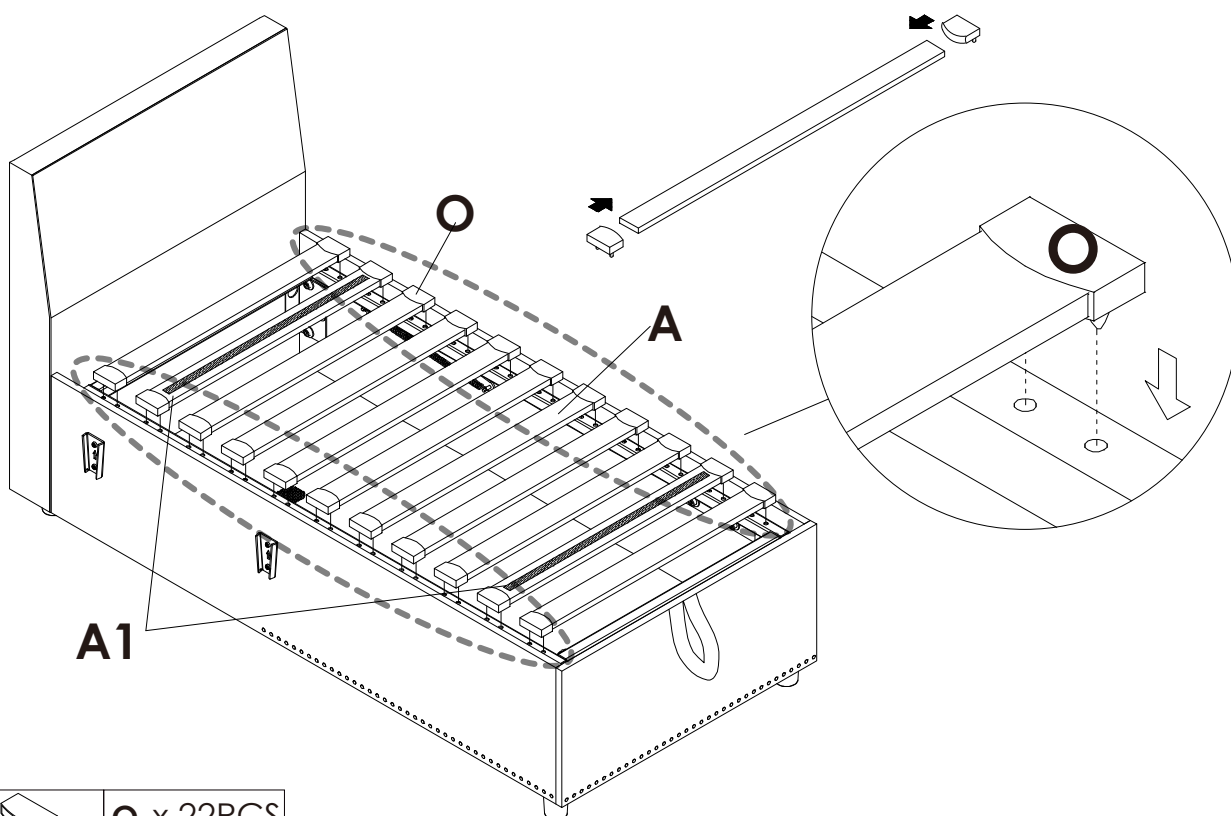


Note: Easier to install when tilted

	V x 6PCS
	P x 1PC

## STEP 10

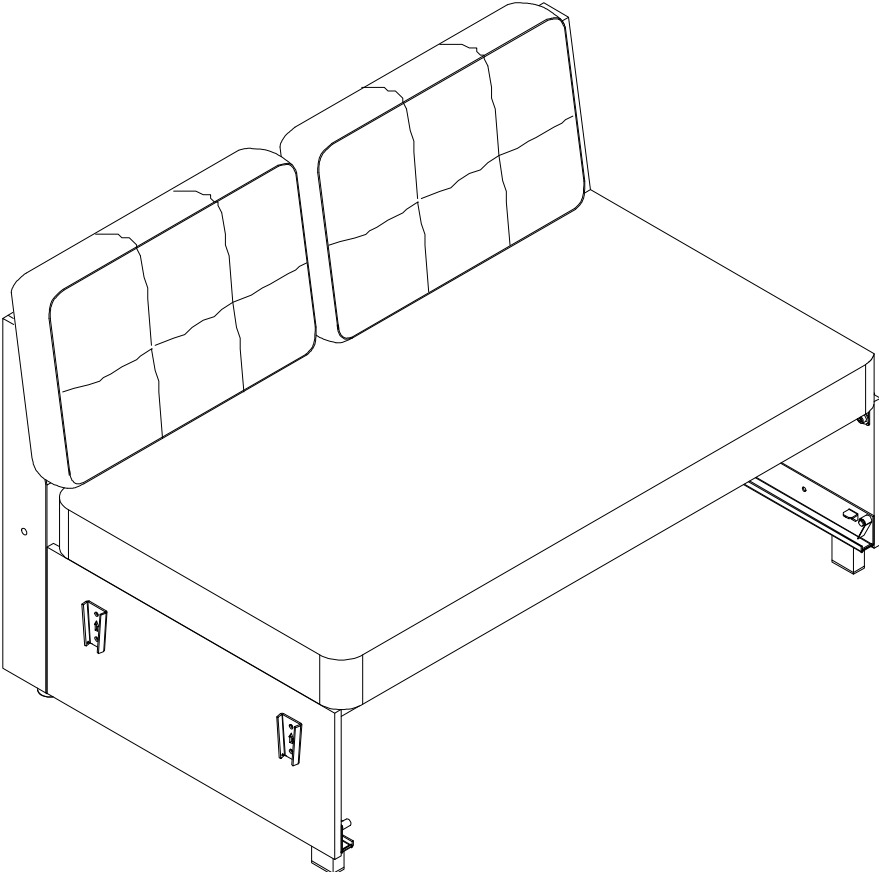
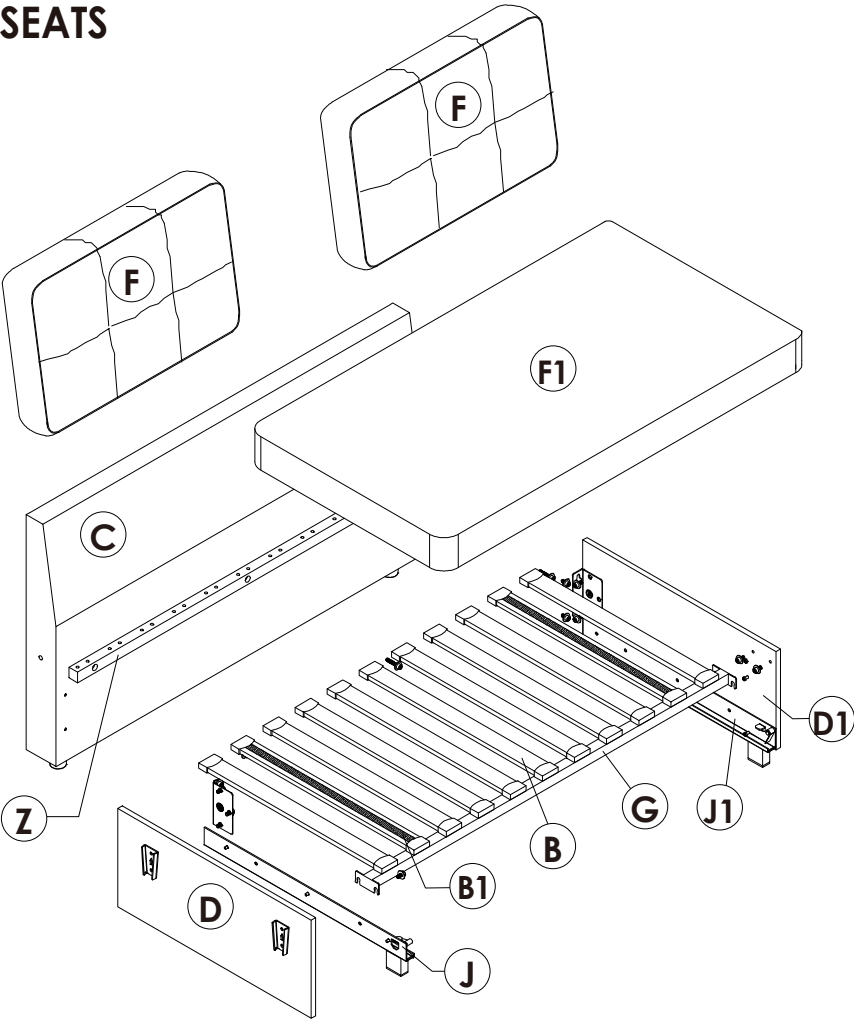
Place the **A1** in the second position and note that the Nylon Fastener side is facing up



	O x 22PCS
---	-----------

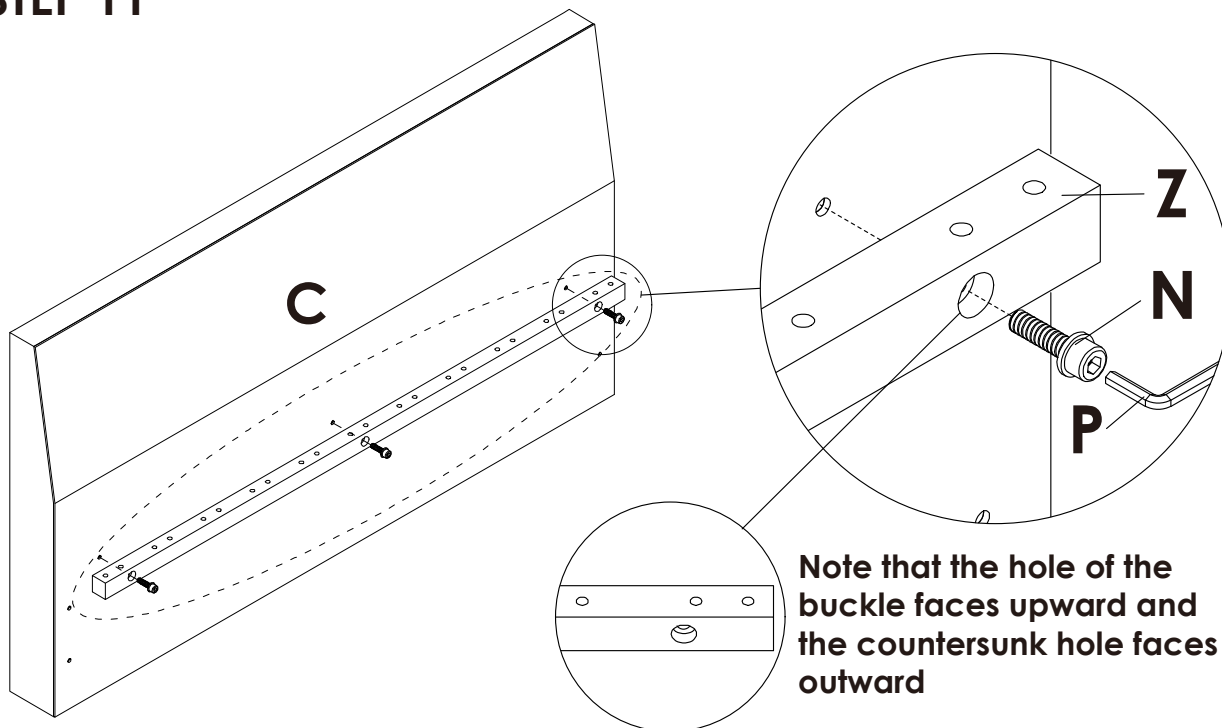
# Main Structure Accessories



TWO SEATS

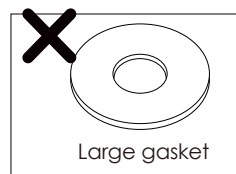


# Assembly Steps(EN) / Montageschritte(DE)

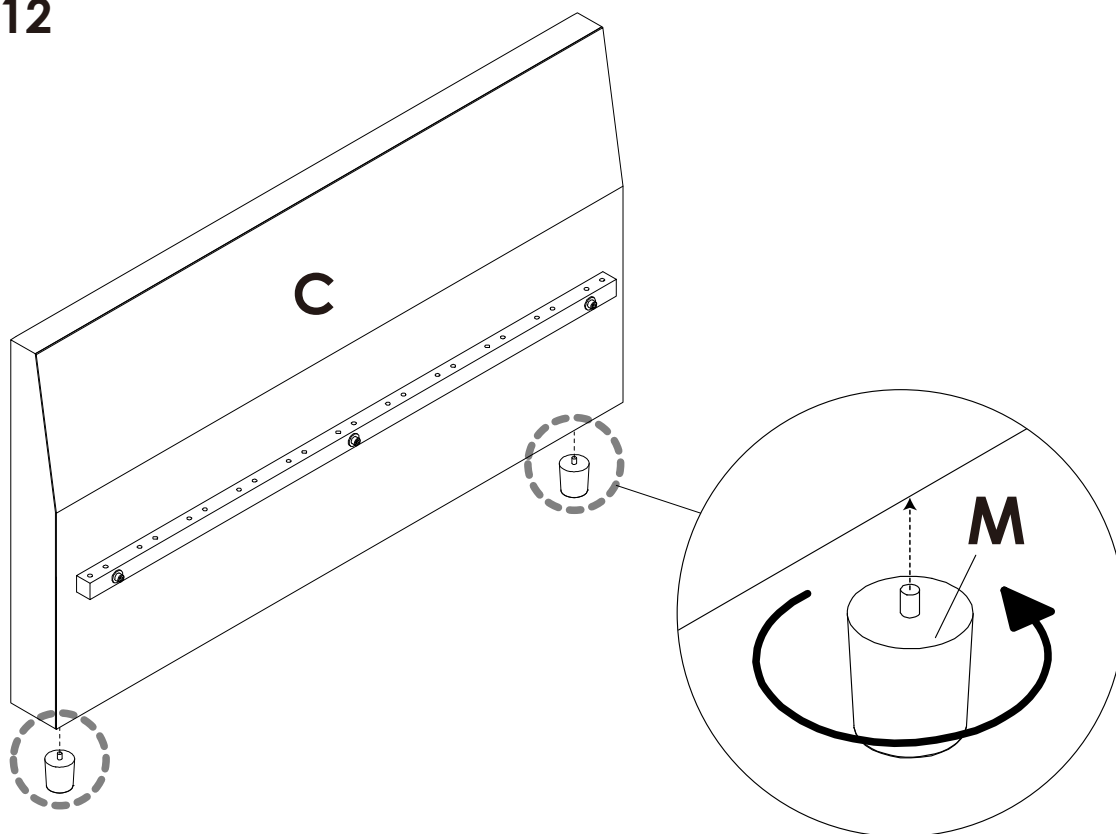
## STEP 11



	<b>N x 3PCS</b>
	<b>P x 1PC</b>

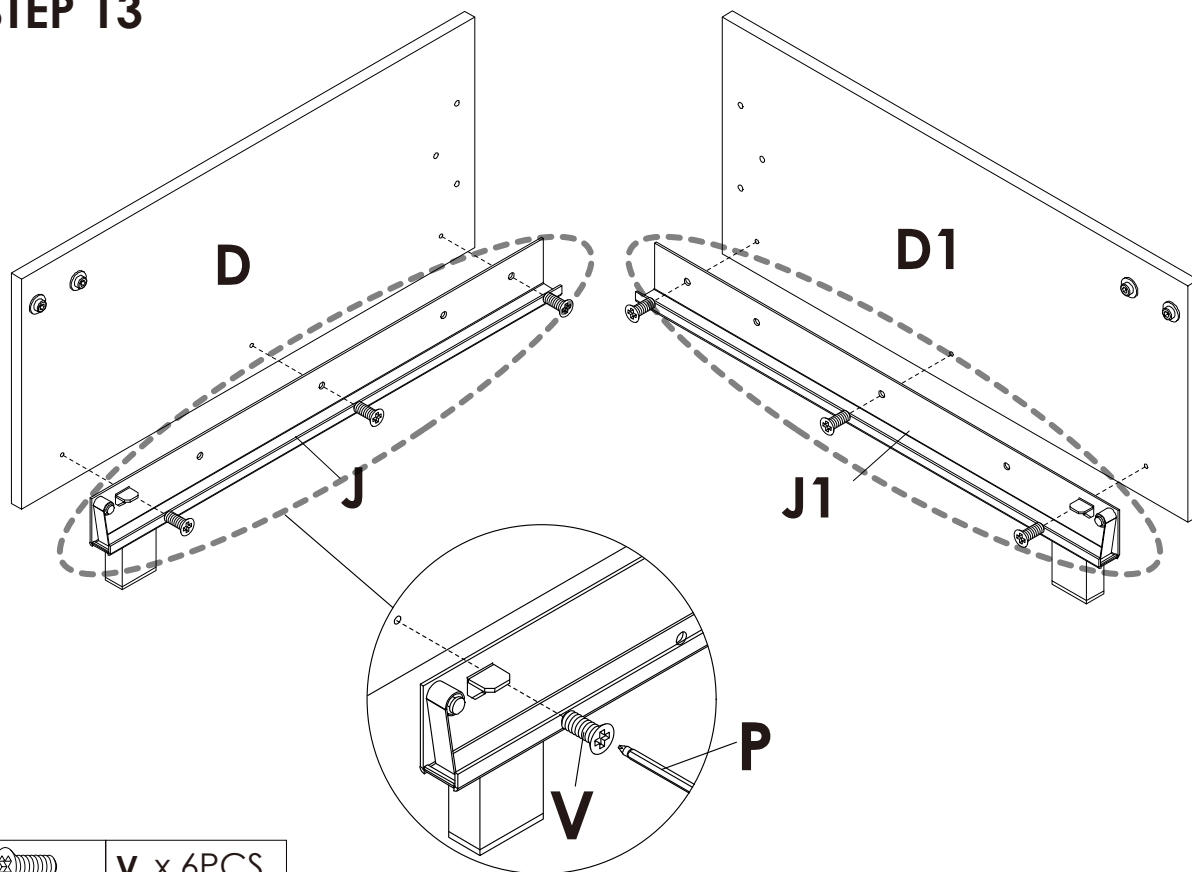




## STEP 12



## Assembly Steps(EN) / Montageschritte(DE)

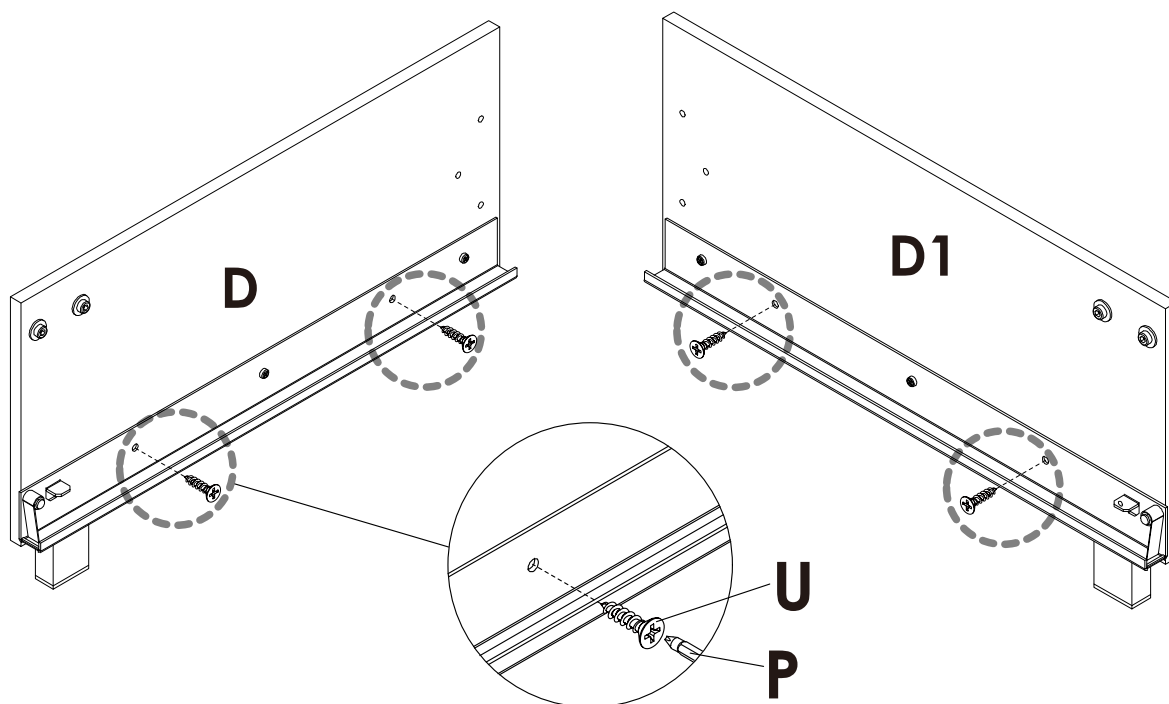
### STEP 13





	V x 6PCS
	P x 1PC

### STEP 14

Reinforcing lock with self-tapping screws

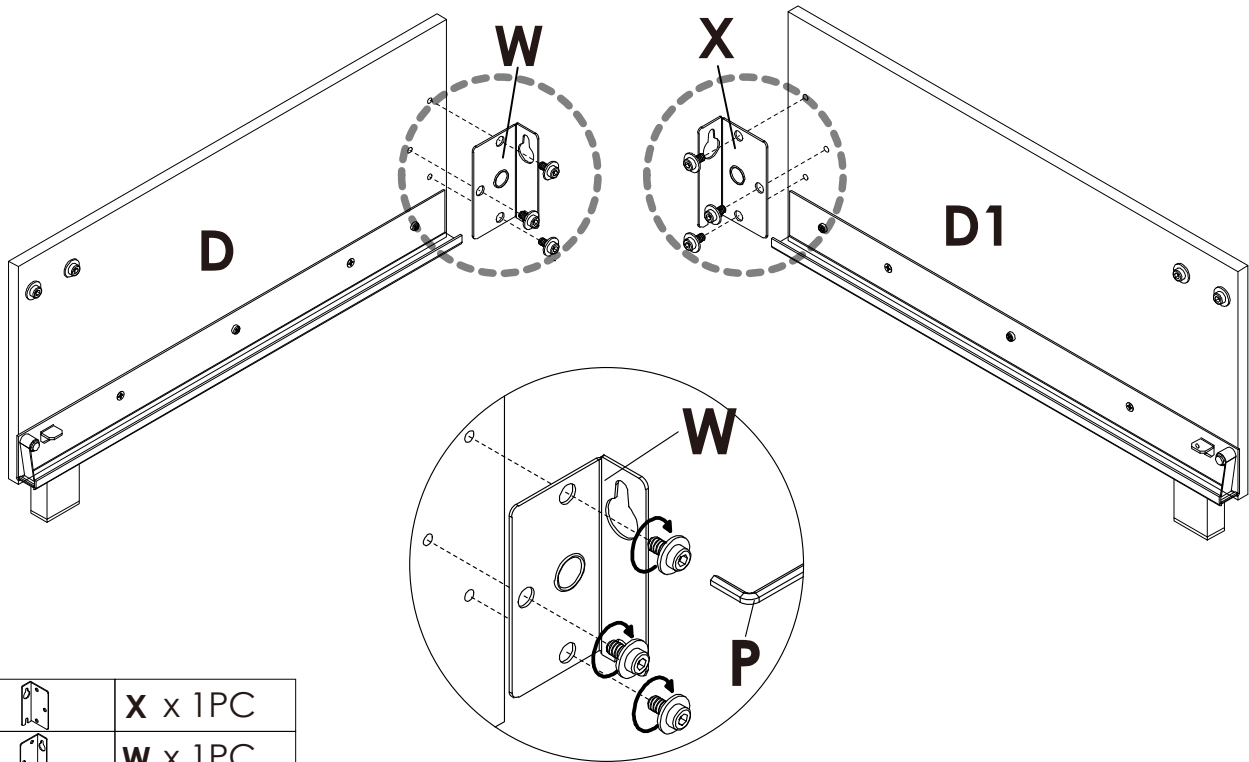



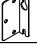

	U x 4PCS
	P x 1PC

**Tips:** Self-tapping screw is an auxiliary reinforcement function, you can choose to reinforce or not.

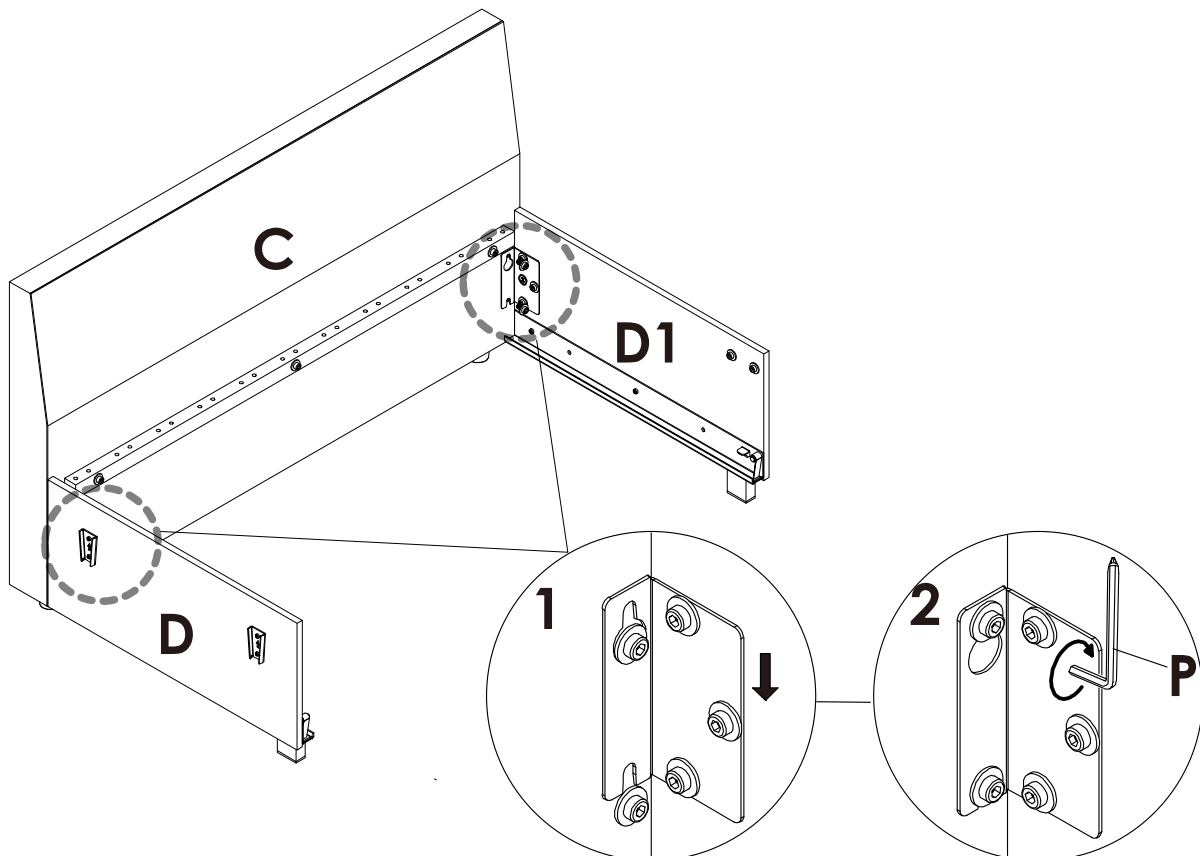
## Assembly Steps(EN) / Montageschritte(DE)

**STEP 15** First, loosen the screws properly for a better fit.



	X x 1PC
	W x 1PC
	P x 1PC

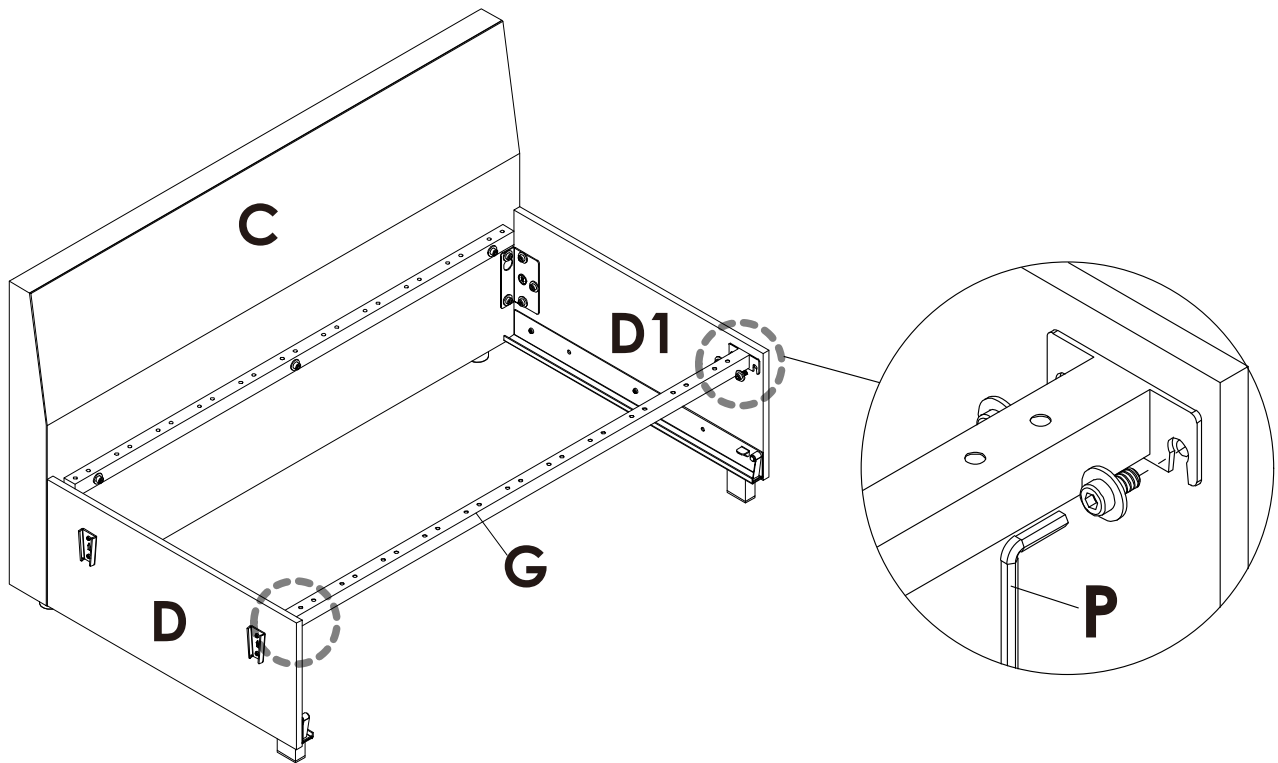
**STEP 16** First loosen the screws, install the mounting plate, and then lock the screws.



	P x 1PC
---	---------

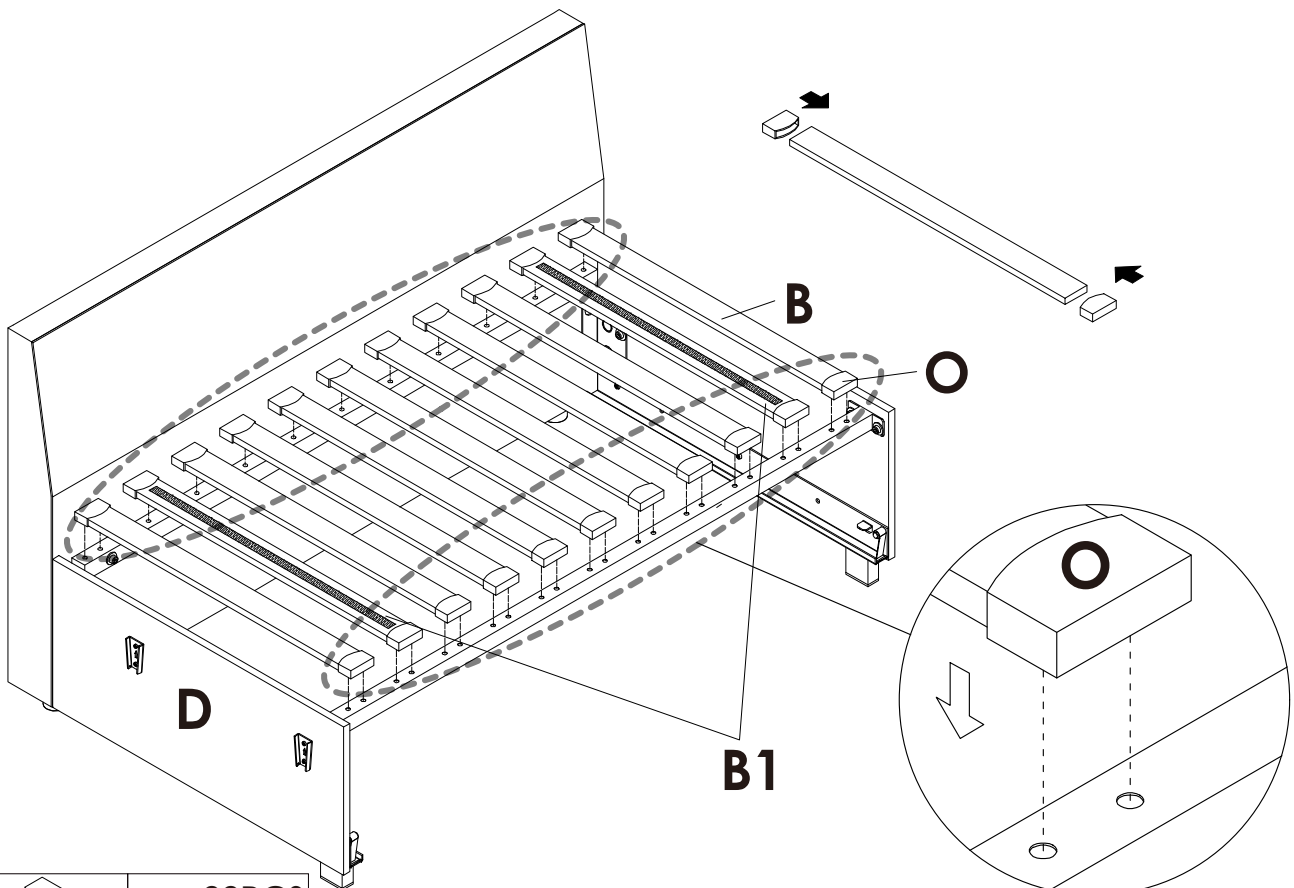
## Assembly Steps(EN) / Montageschritte(DE)

**STEP 17** First, loosen the screws properly for a better fit.



P x 1PC

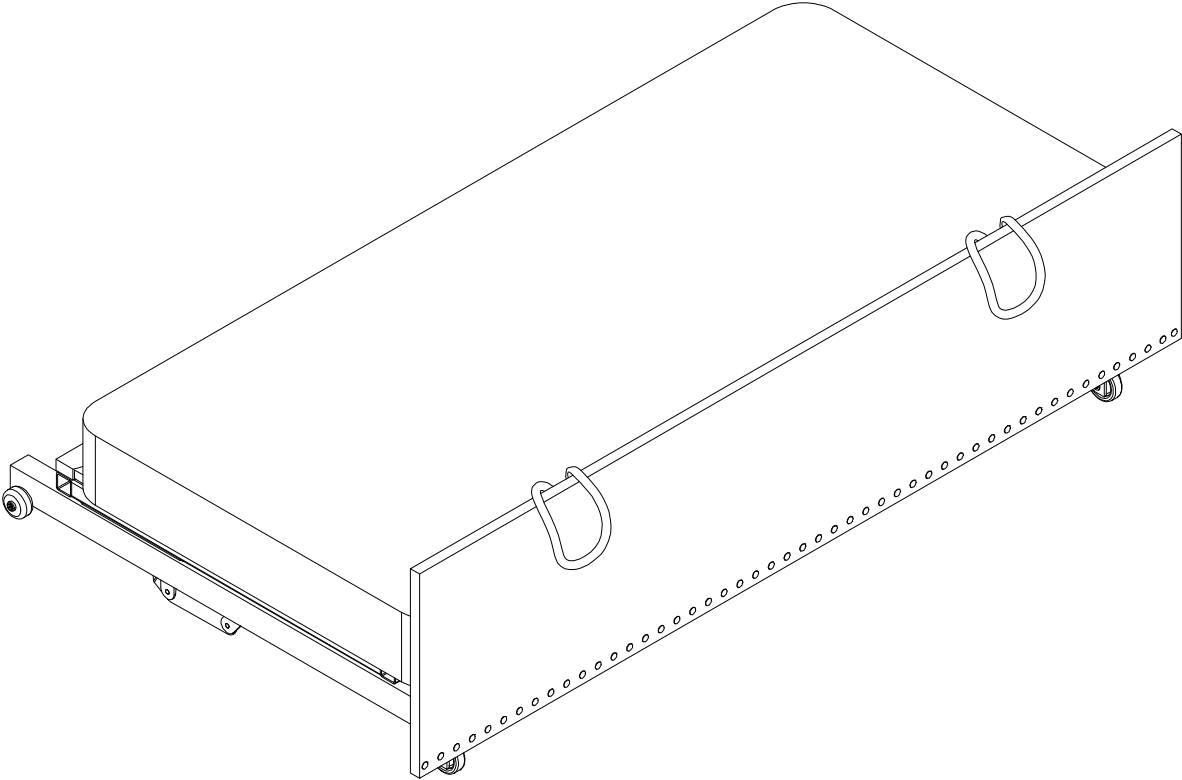
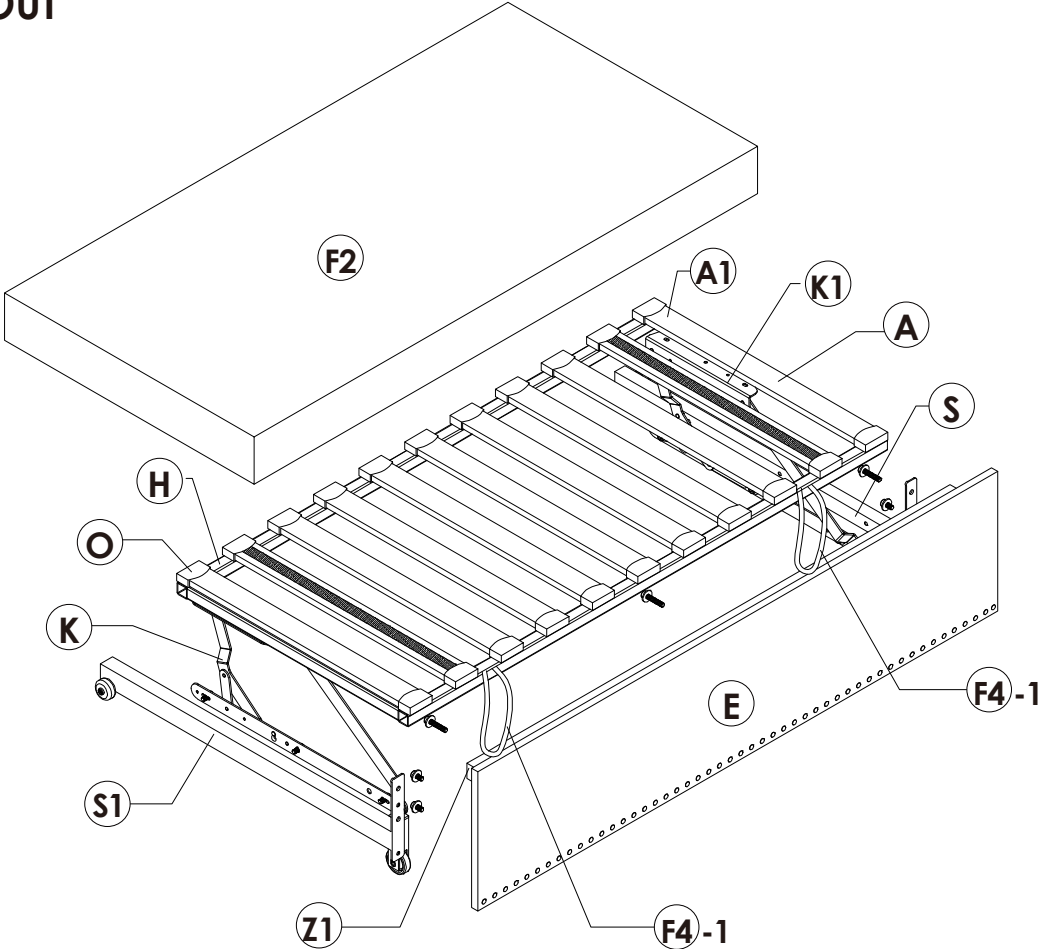
**STEP 18** Place the **B1** in the second position and note that the Velcro side is facing up



O x 22PCS

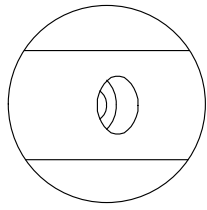
# Main Structure Accessories

## PULL-OUT

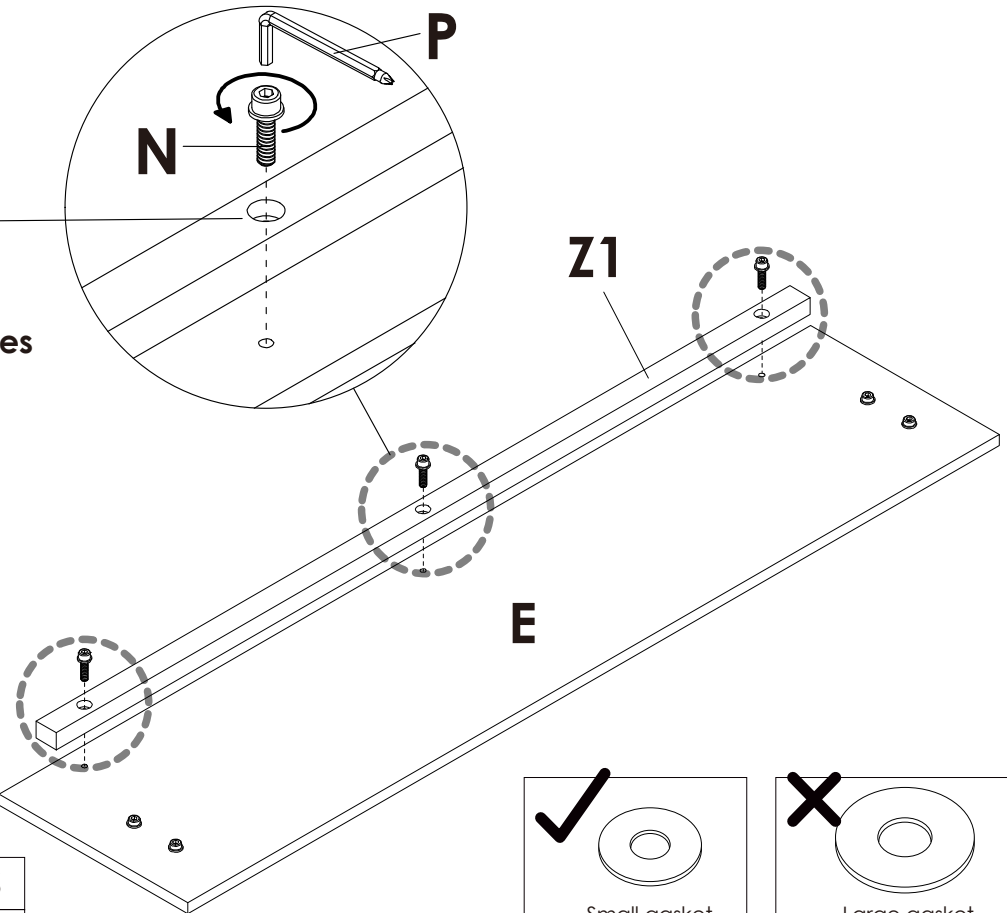




## Assembly Steps(EN) / Montageschritte(DE)

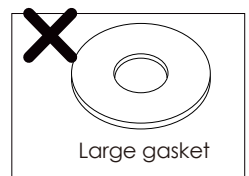
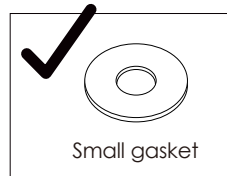
### STEP 19



Countersunk holes  
face outward.

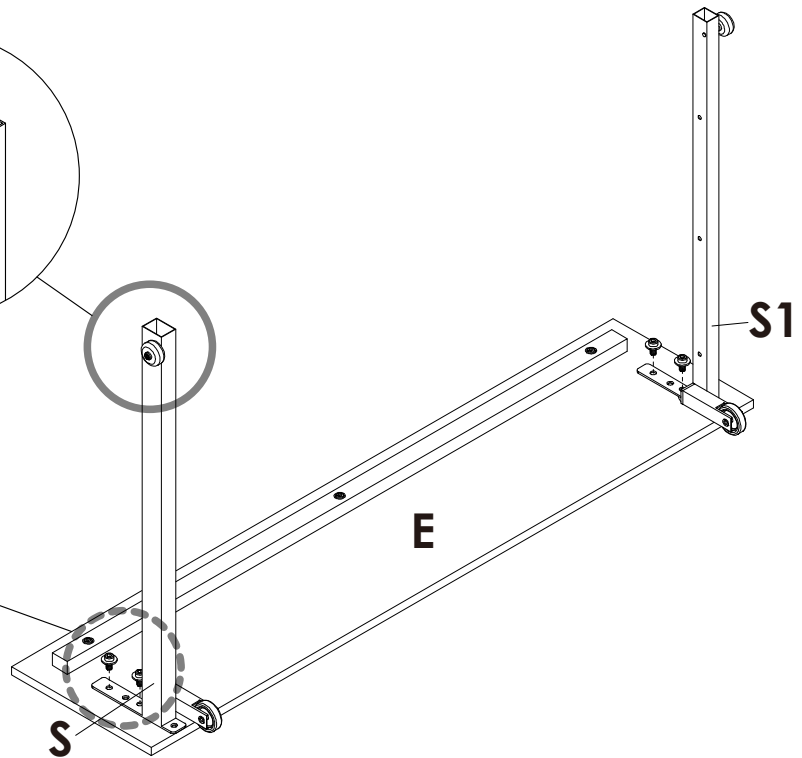
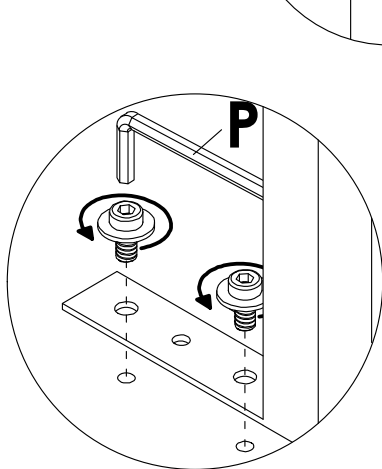
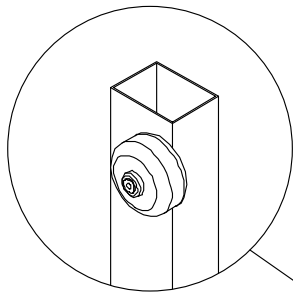


	<b>N</b> x 3PCS
	<b>P</b> x 1PC



### STEP 20

First, loosen the screws properly for a better fit.

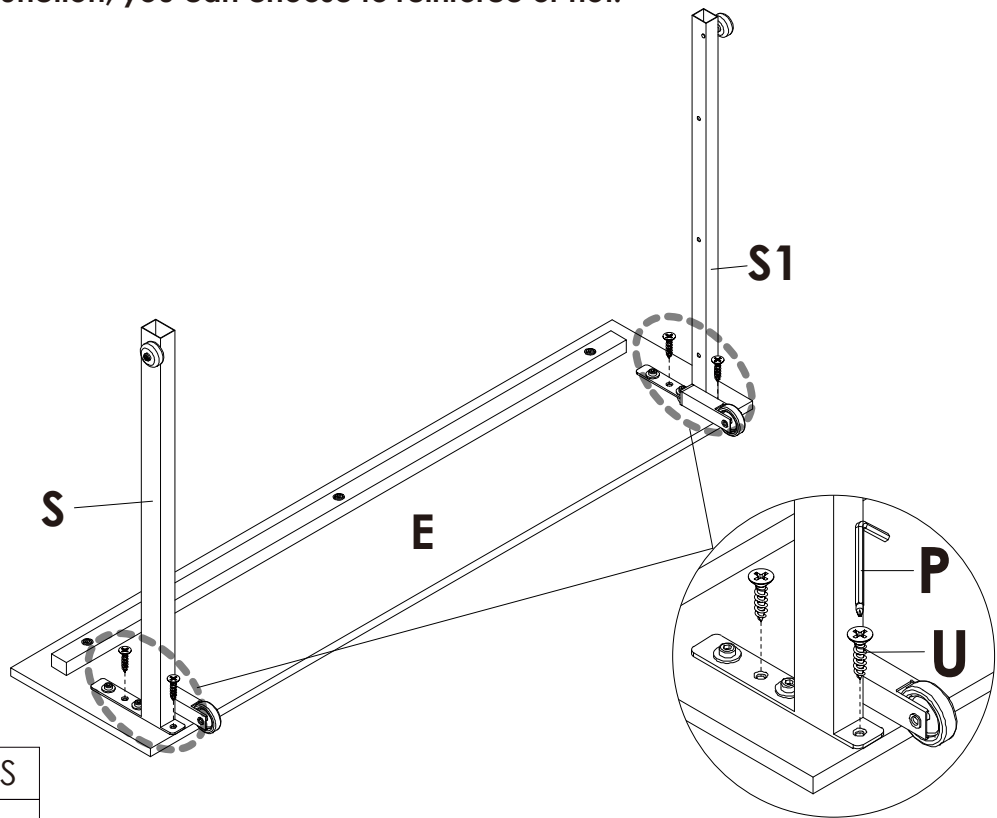


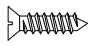

	<b>P</b> x 1PC
---	----------------

# Assembly Steps(EN) / Montageschritte(DE)

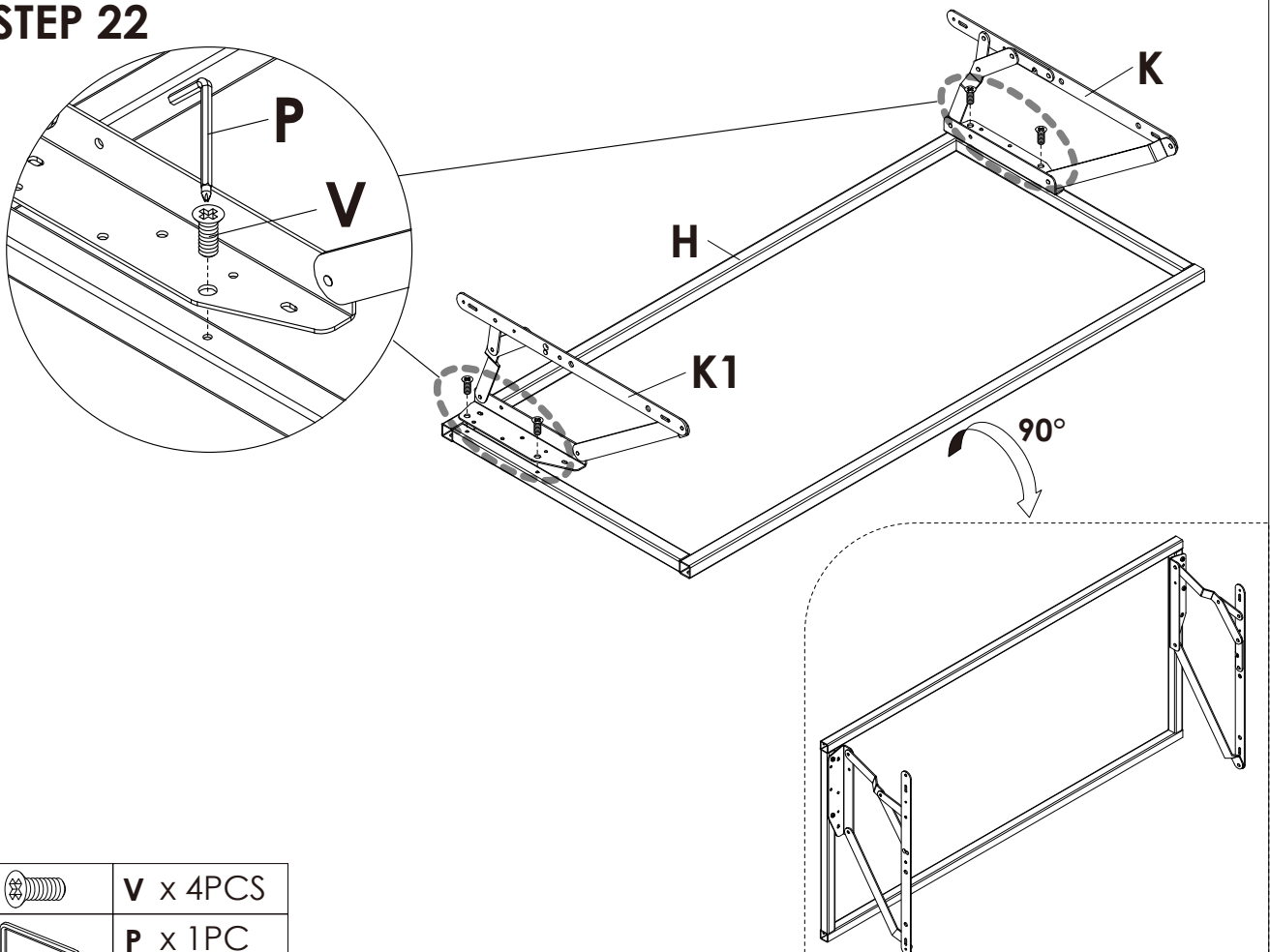
## STEP 21



Tips: Self-tapping screw is an auxiliary reinforcement function, you can choose to reinforce or not.



	U x 4PCS
	P x 1PC

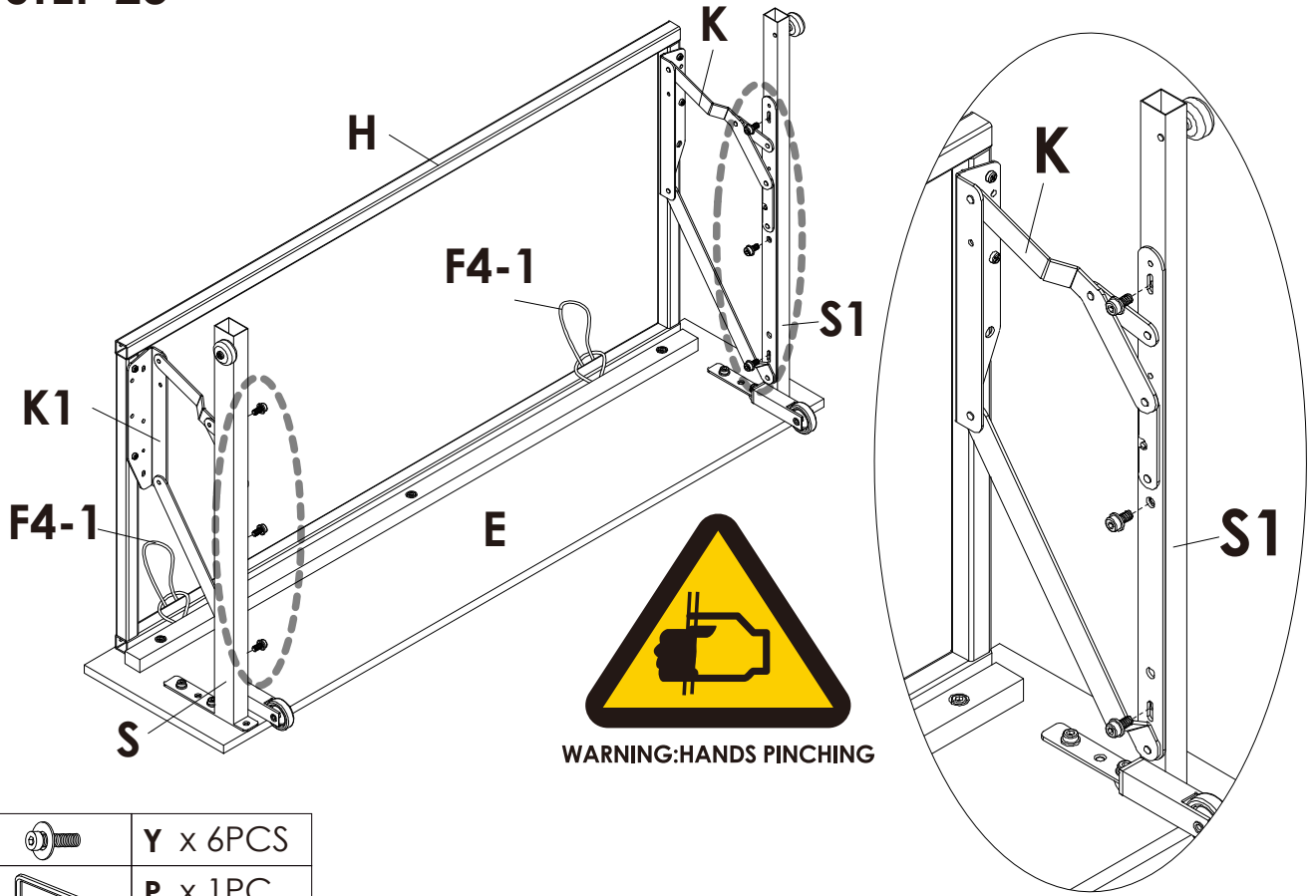
## STEP 22





	V x 4PCS
	P x 1PC

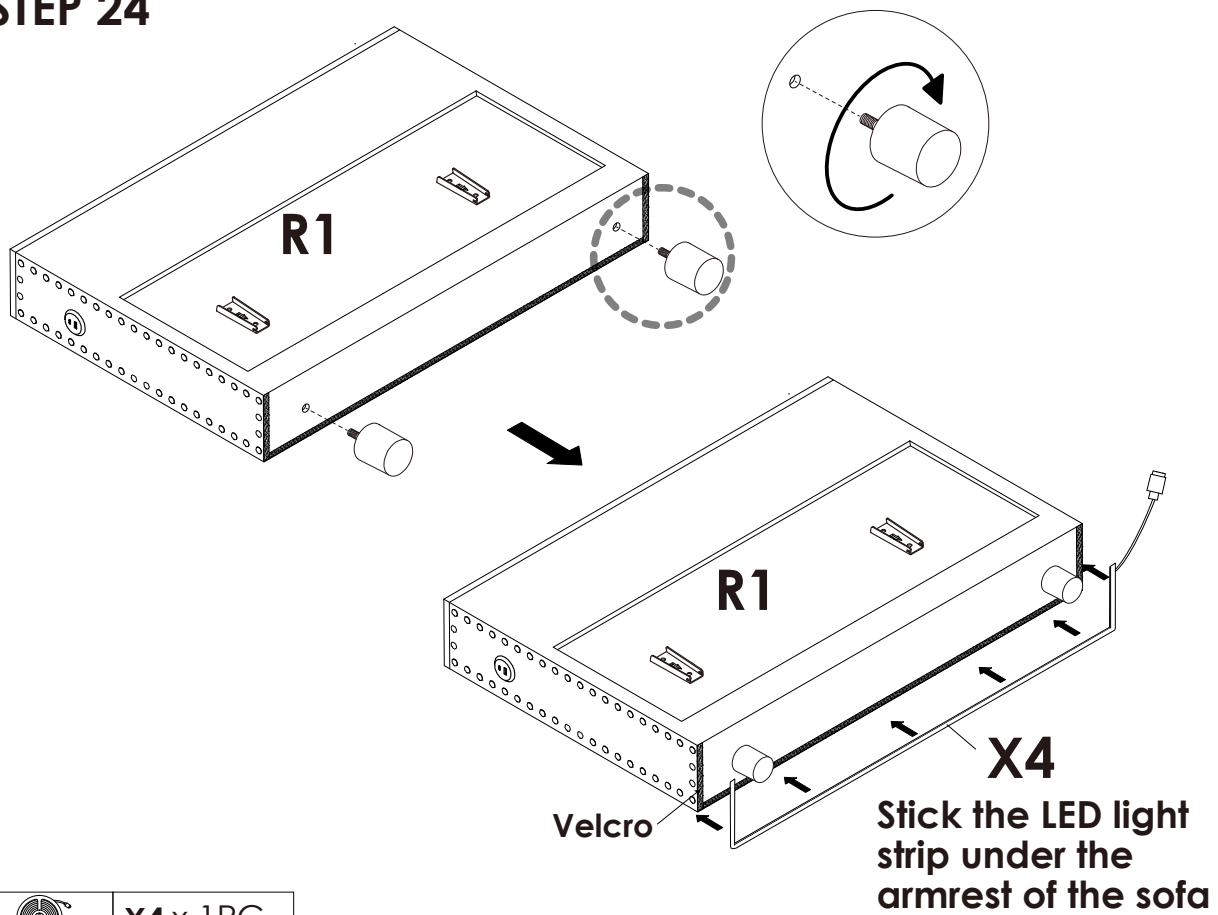
# Assembly Steps(EN) / Montageschritte(DE)

## STEP 23



	Y x 6PCS
	P x 1PC

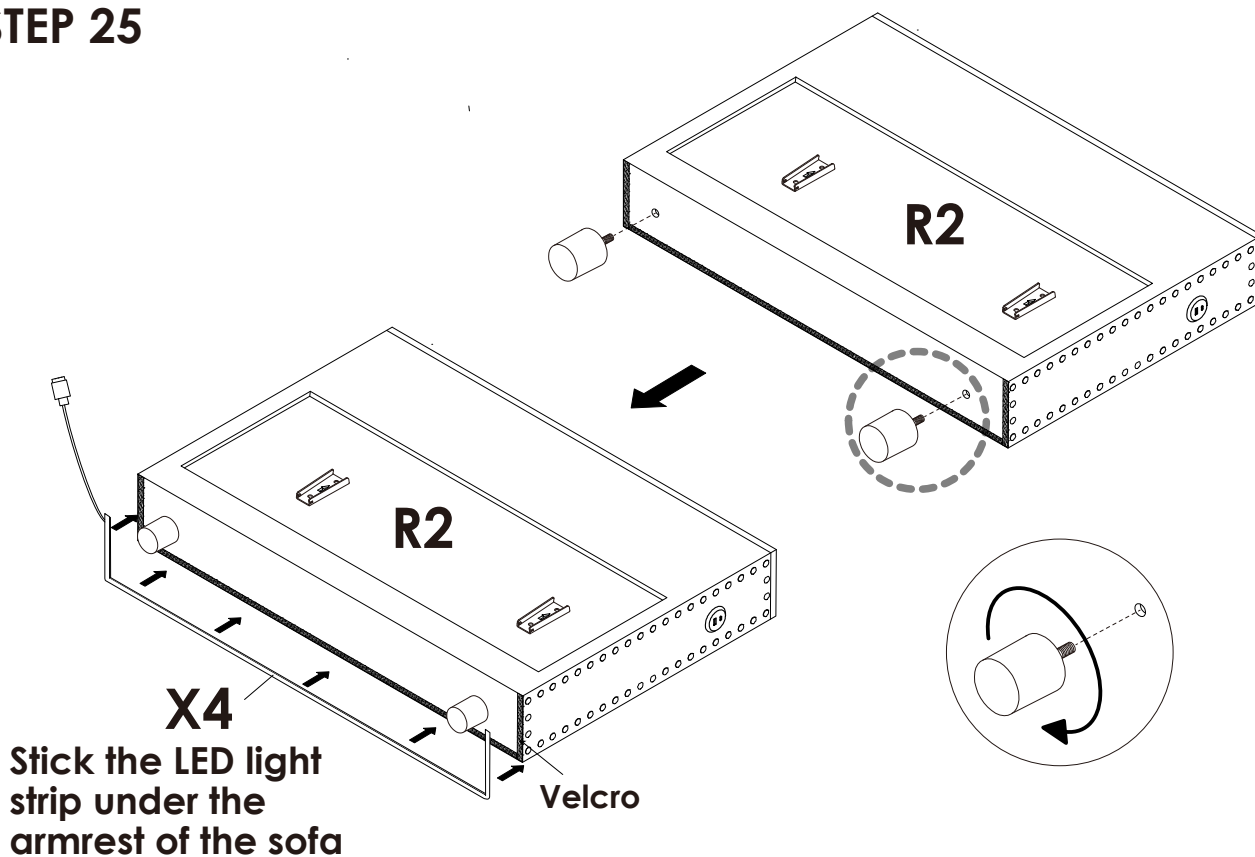
## STEP 24



	X4 x 1PC
---	----------

# Assembly Steps(EN) / Montageschritte(DE)

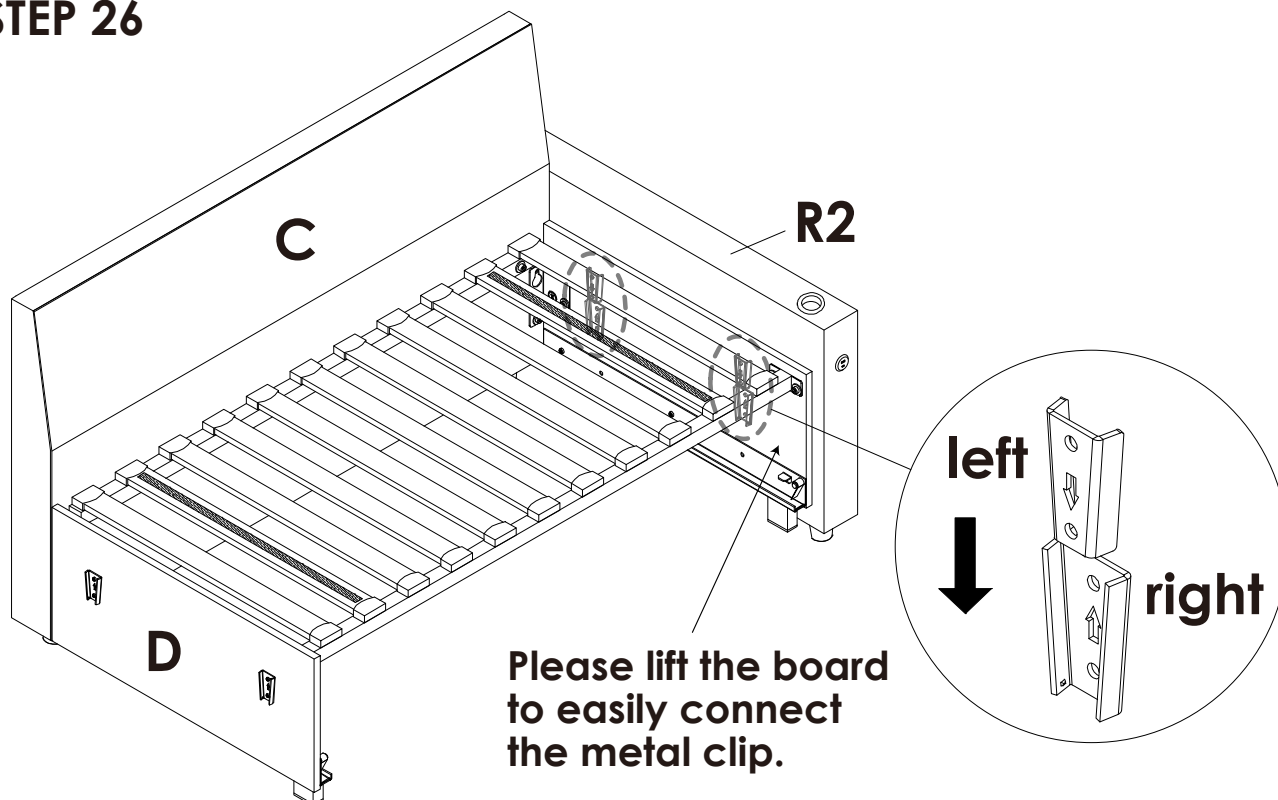
## STEP 25



X4 x 1PC

## Assembly Option ①

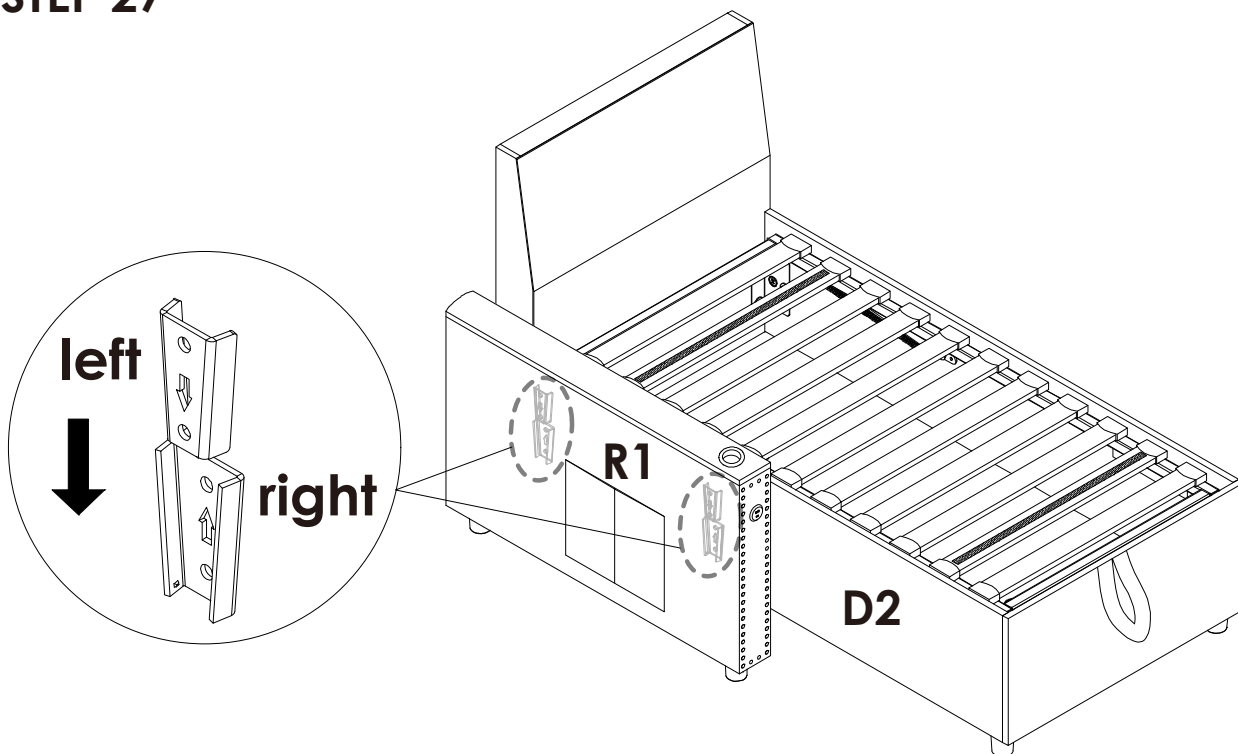
## STEP 26



# Assembly Steps(EN) / Montageschritte(DE)

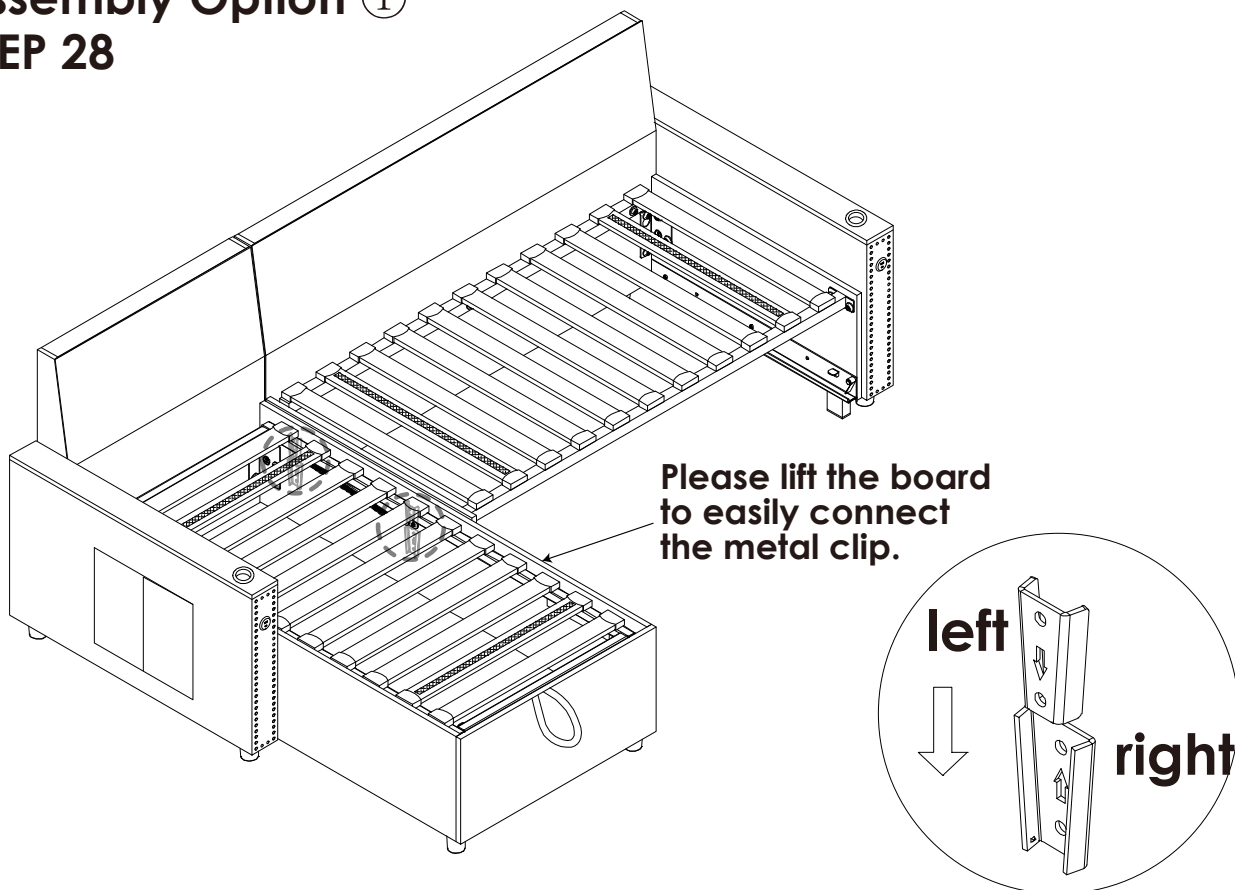
## Assembly Option ① STEP 27

Please lift the board to easily connect the metal clip.



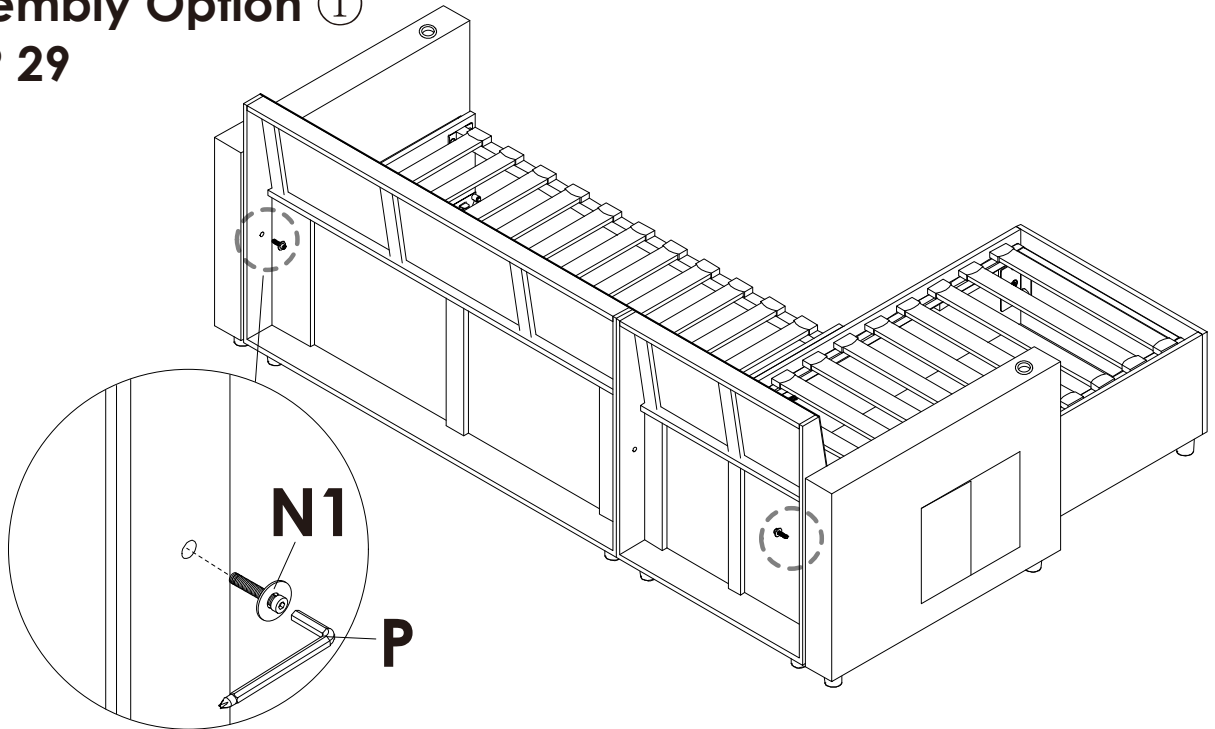
## Assembly Option ① STEP 28

Please lift the board to easily connect the metal clip.





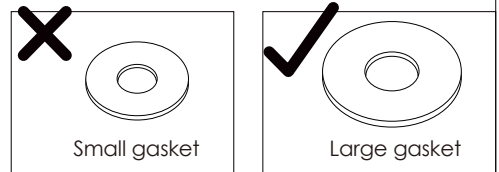
# Assembly Steps(EN) / Montageschritte(DE)

## Assembly Option ① STEP 29

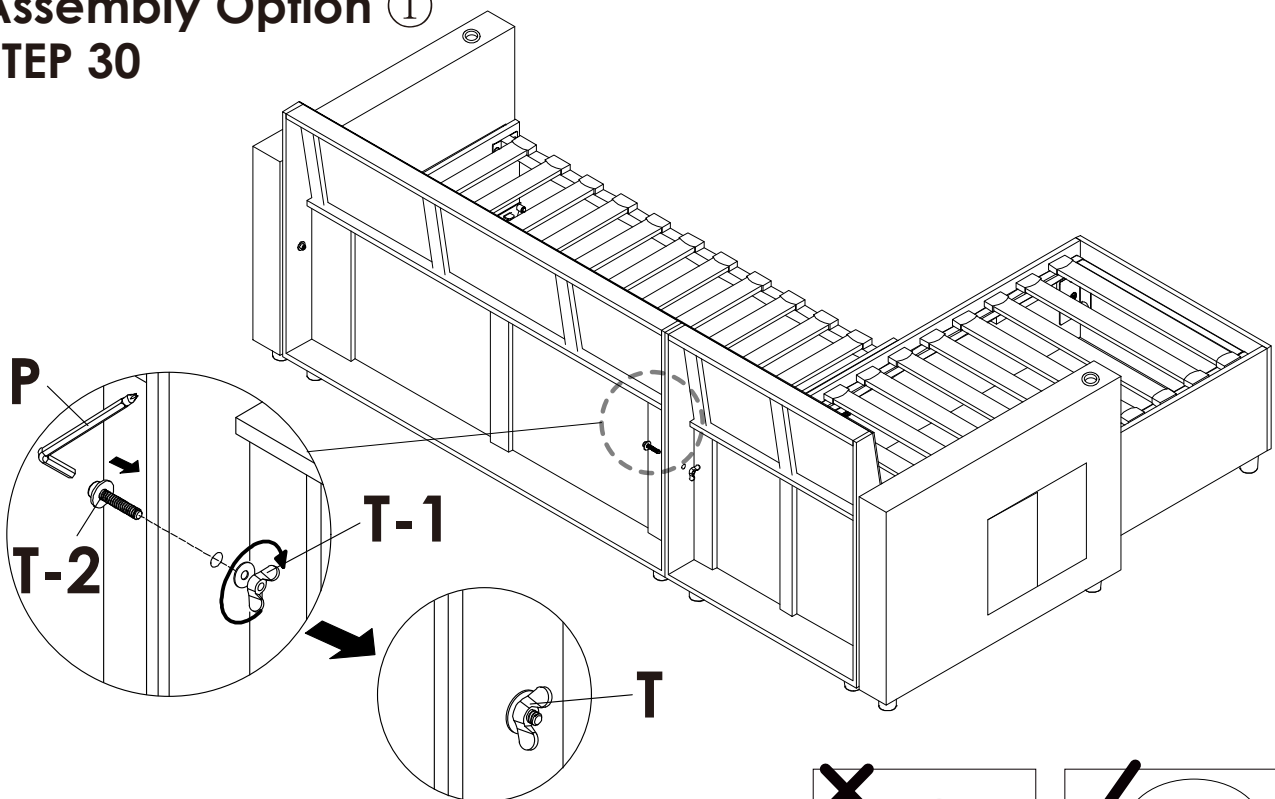


Secure with locking screws



	N1 x 2PCS
	P x 1PC

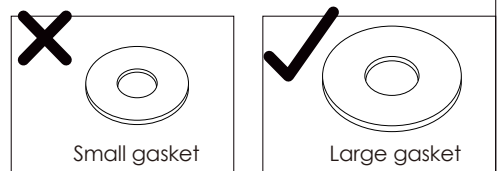


## Assembly Option ① STEP 30

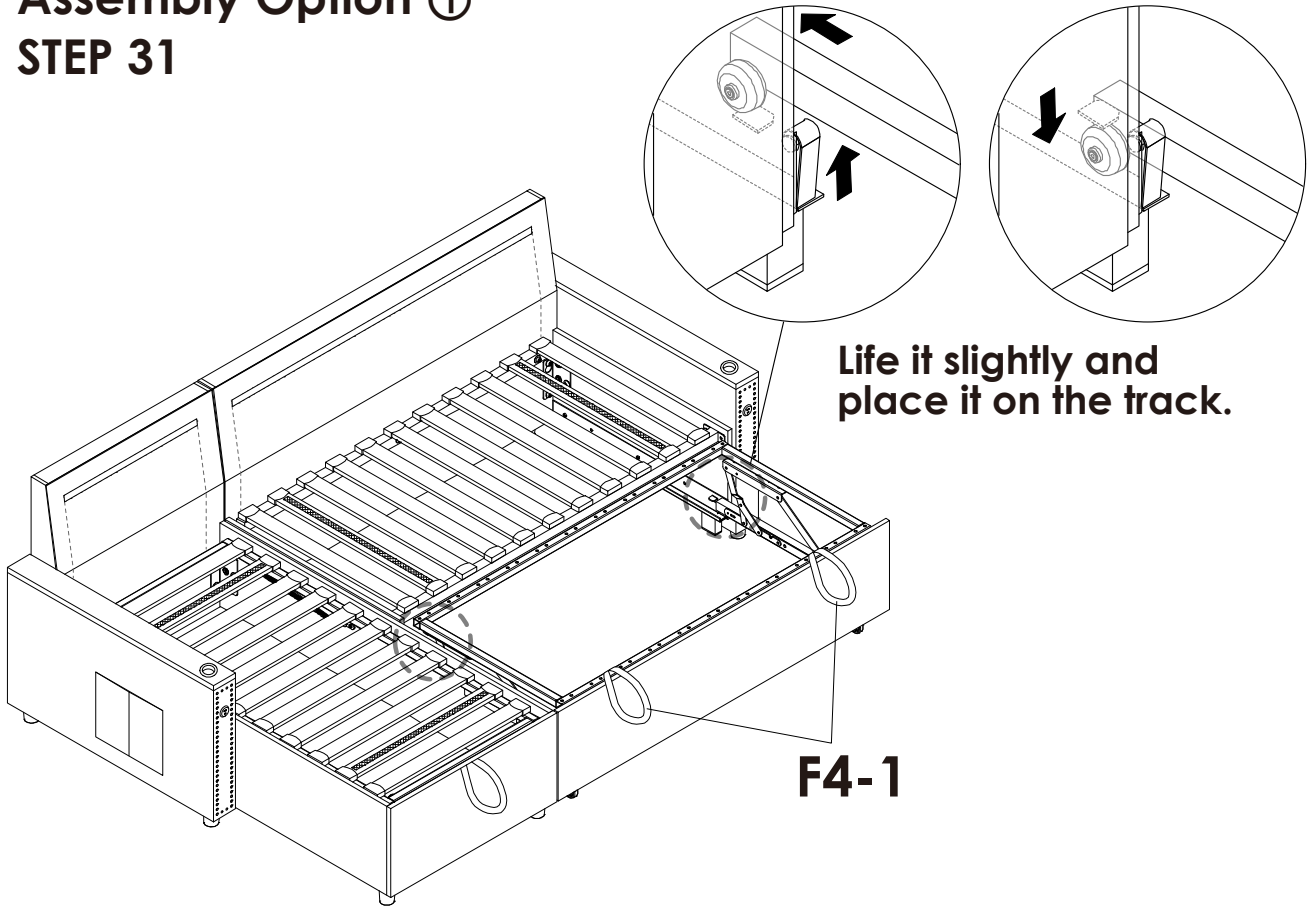


Screw through hole and tighten with butterfly nut.

	P x 1PC
	T x 1PC

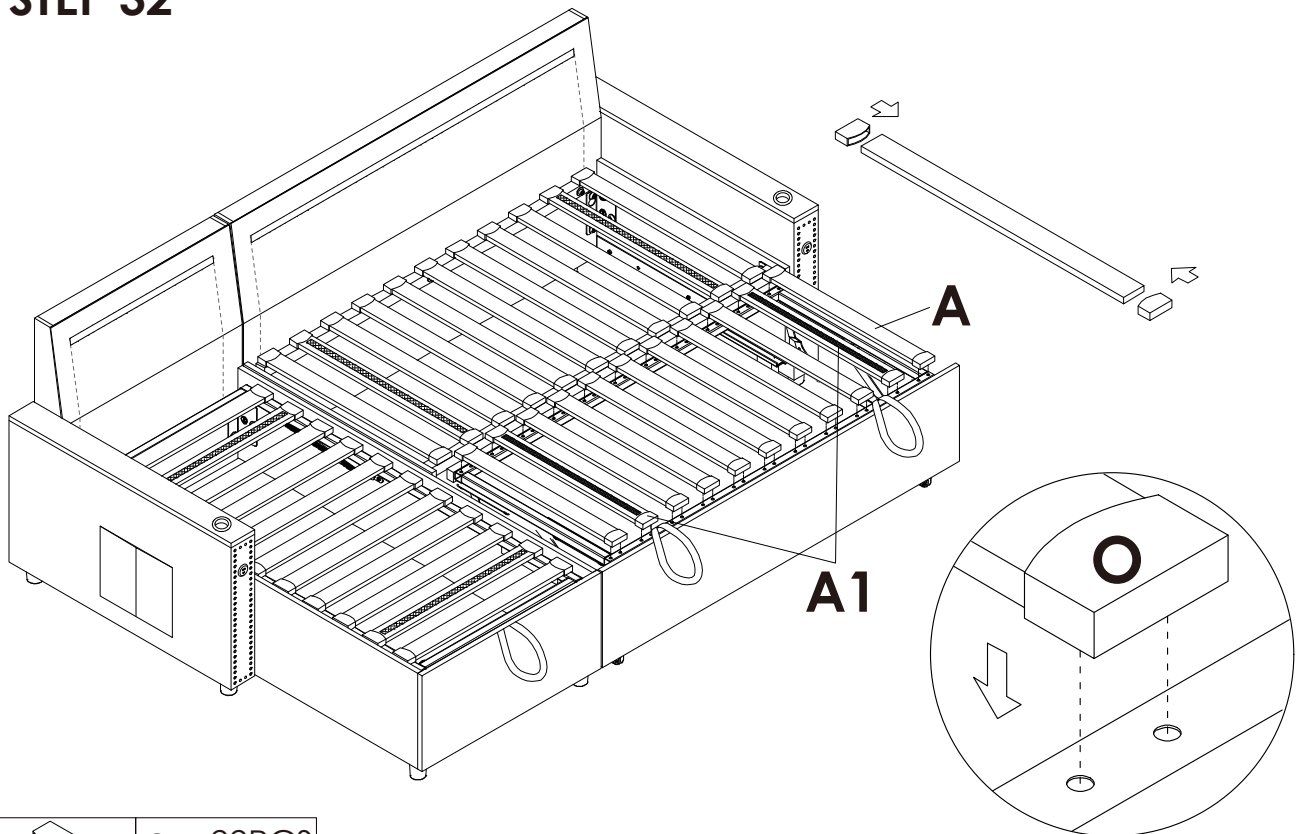


**Assembly Option ①**  
**STEP 31**



**Assembly Option ①**  
**STEP 32**

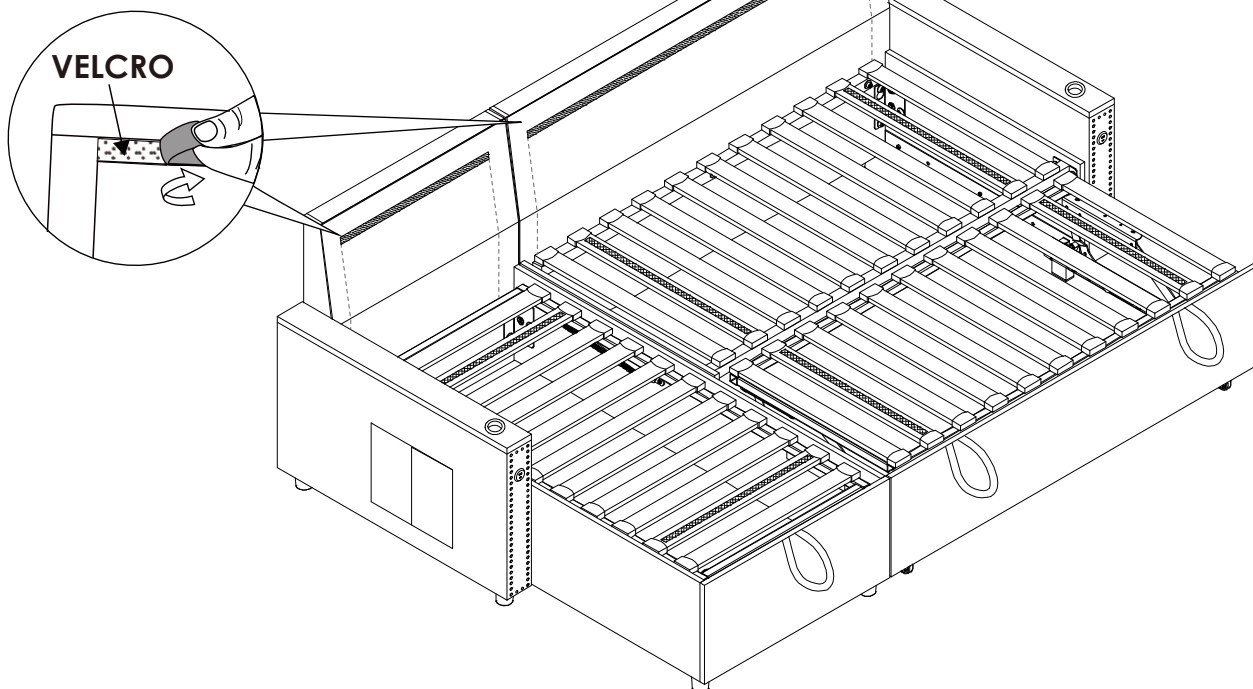
Place the A1 in the second position and note that the Nylon Fastener side is facing up.



**O x 22PCS**

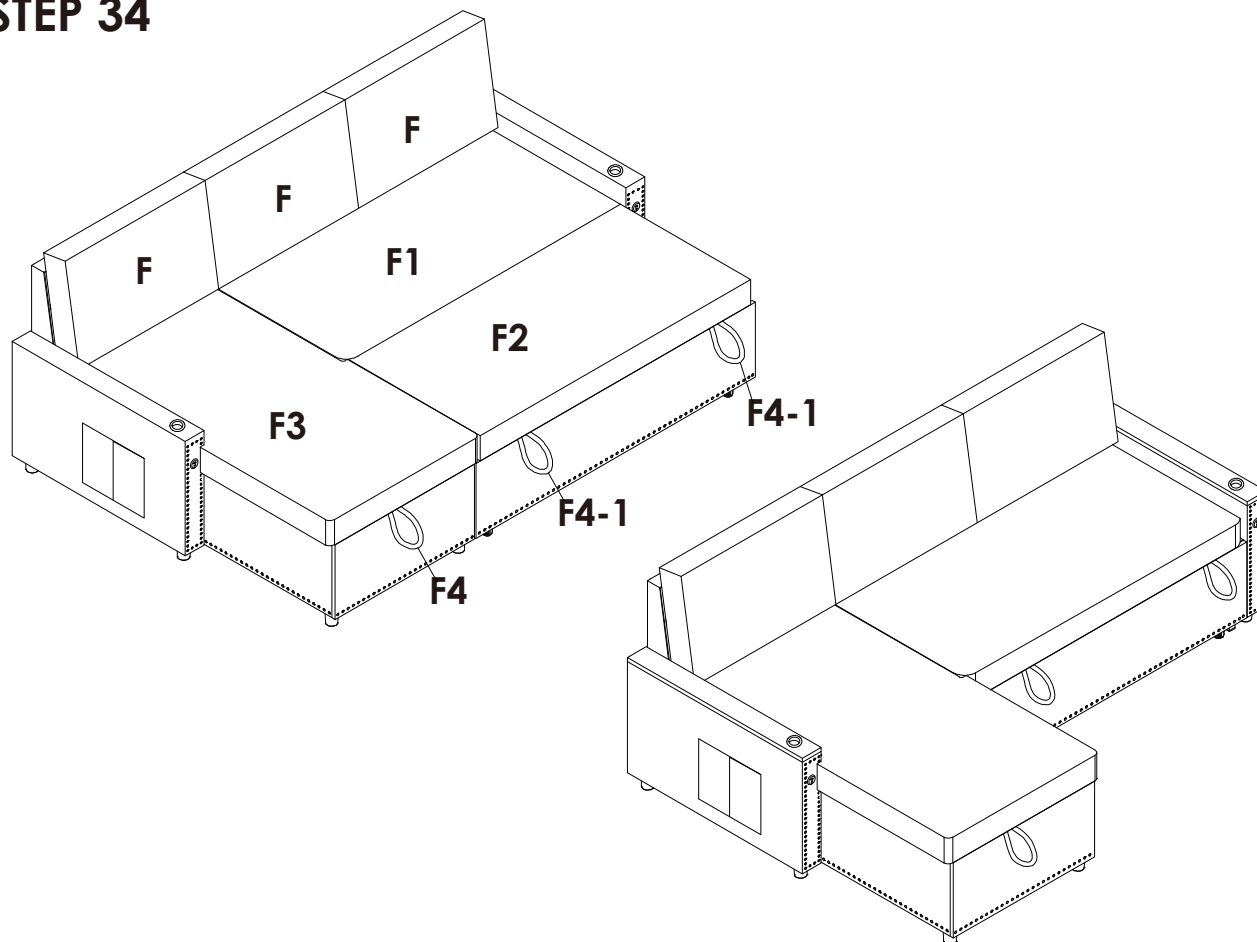
Assembly Option ①

STEP 33



Assembly Option ①

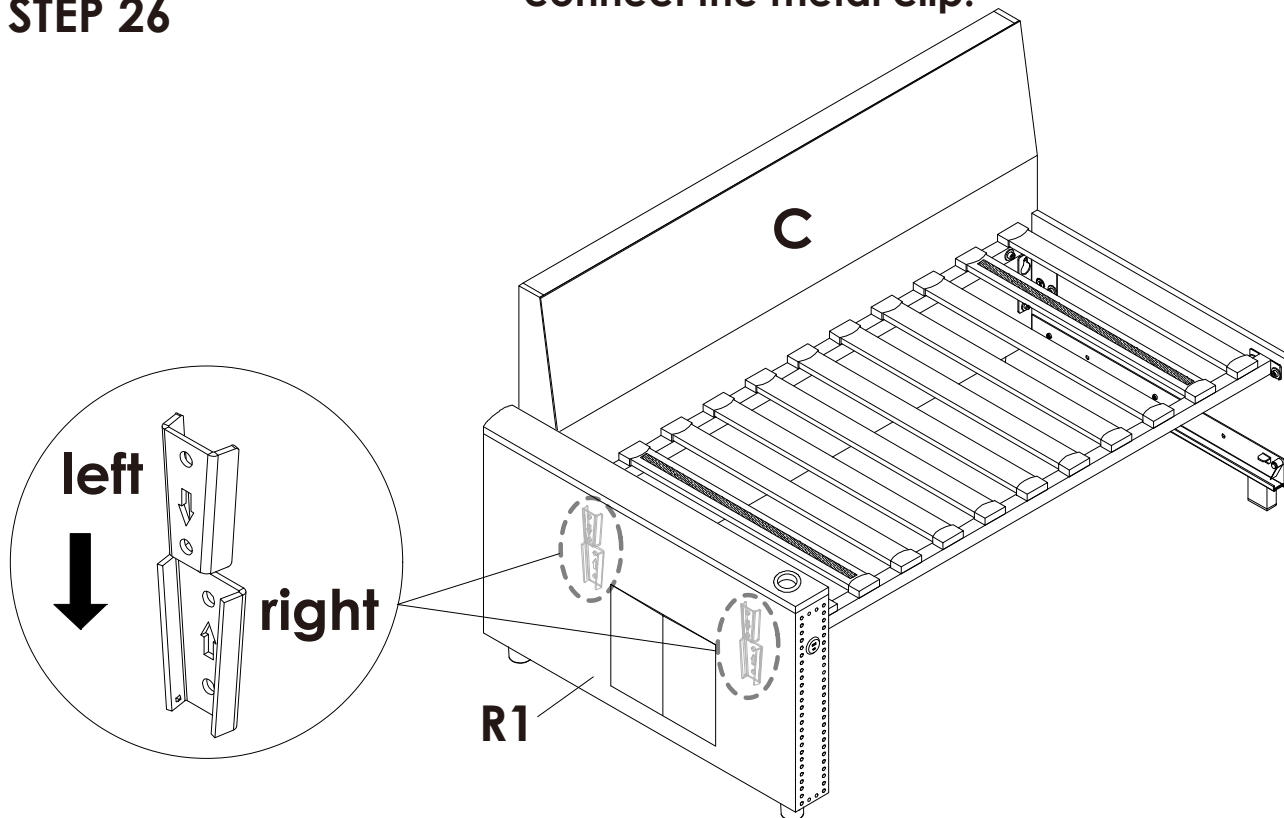
STEP 34



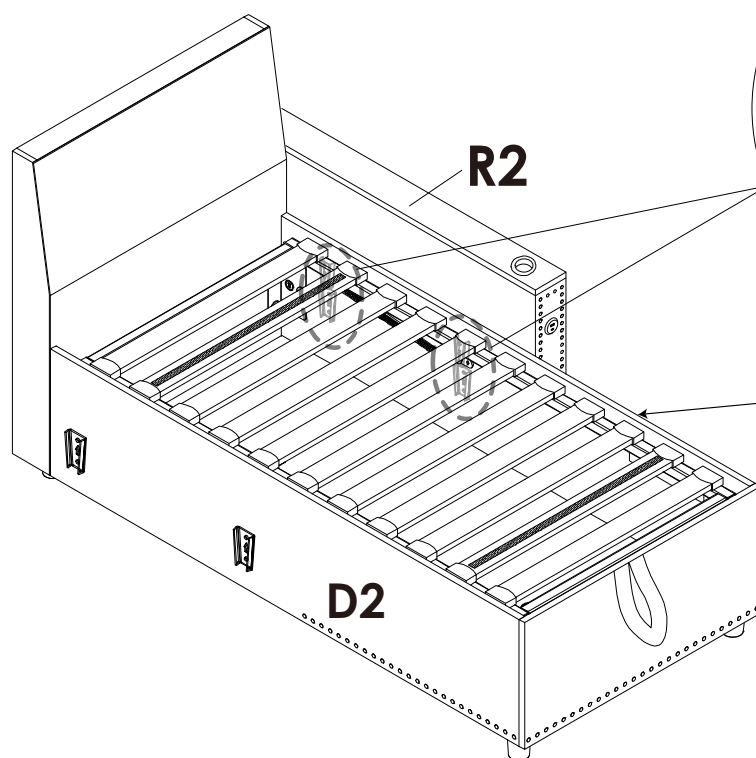
## Assembly Steps(EN) / Montageschritte(DE)

### Assembly Option ② STEP 26

Please lift the board to easily connect the metal clip.



### Assembly Option ② STEP 27

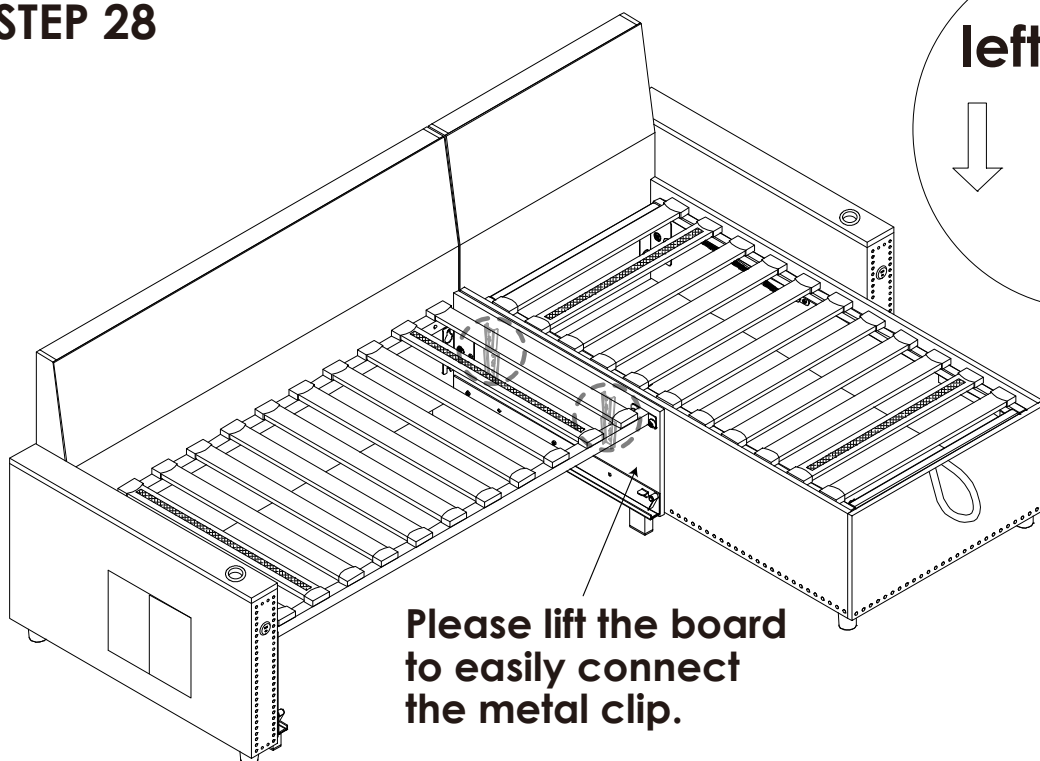


Please lift the board to easily connect the metal clip.

# Assembly Steps(EN) / Montageschritte(DE)

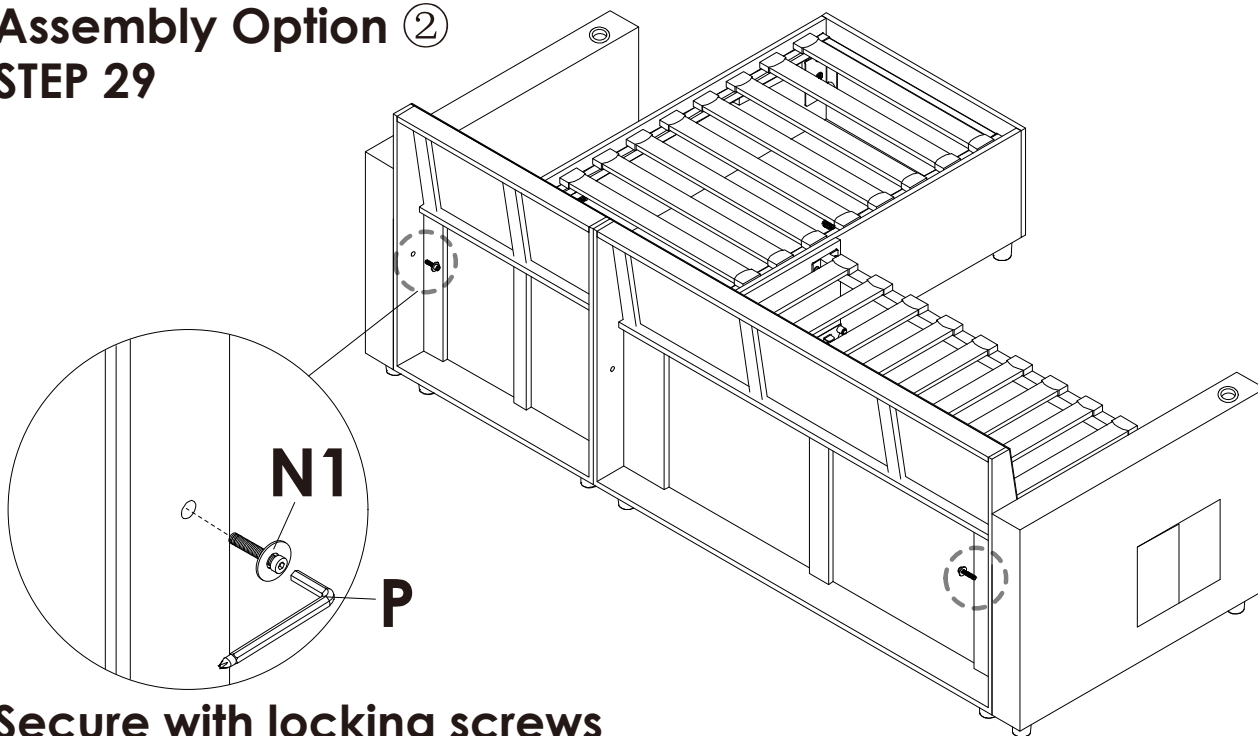
## Assembly Option ②



### STEP 28



## Assembly Option ②

### STEP 29



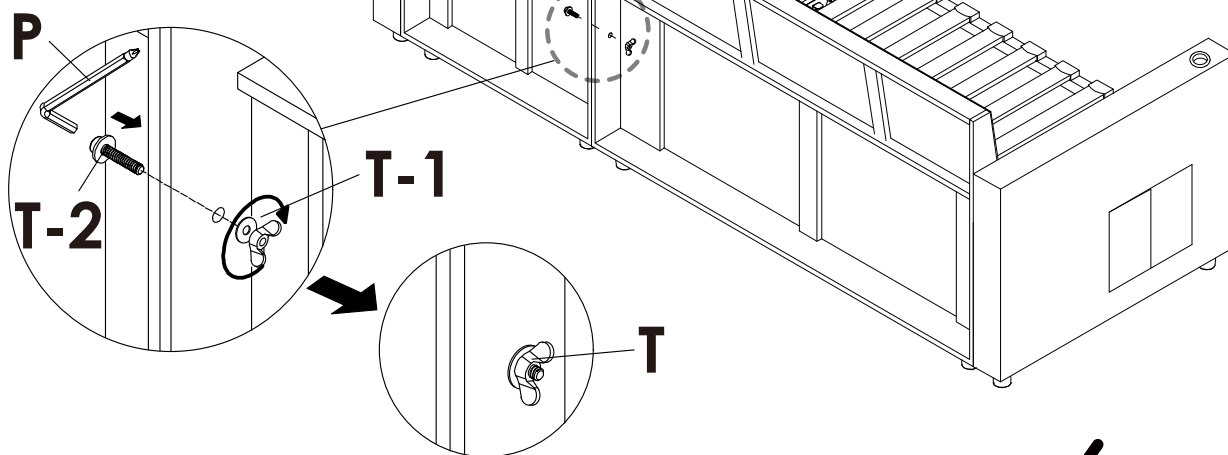
	<b>N1</b> x 2PCS
	<b>P</b> x 1PC




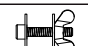
# Assembly Steps(EN) / Montageschritte(DE)

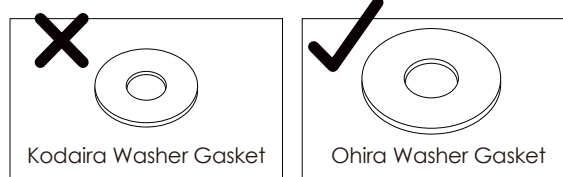
## Assembly Option ②

### STEP 30



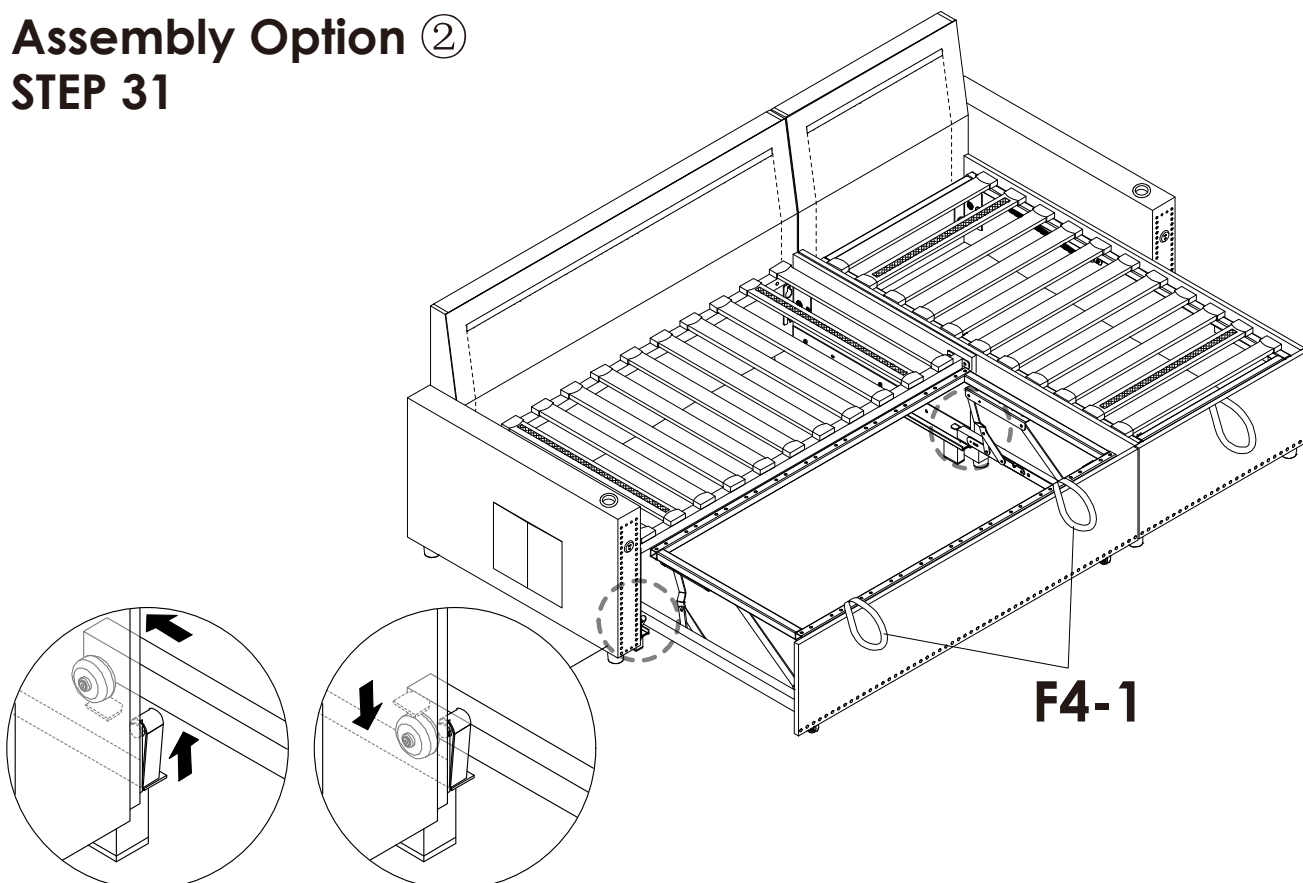
Screw through hole and tighten with butterfly nut.

	P x 1PC
	T x 1PC



## Assembly Option ②

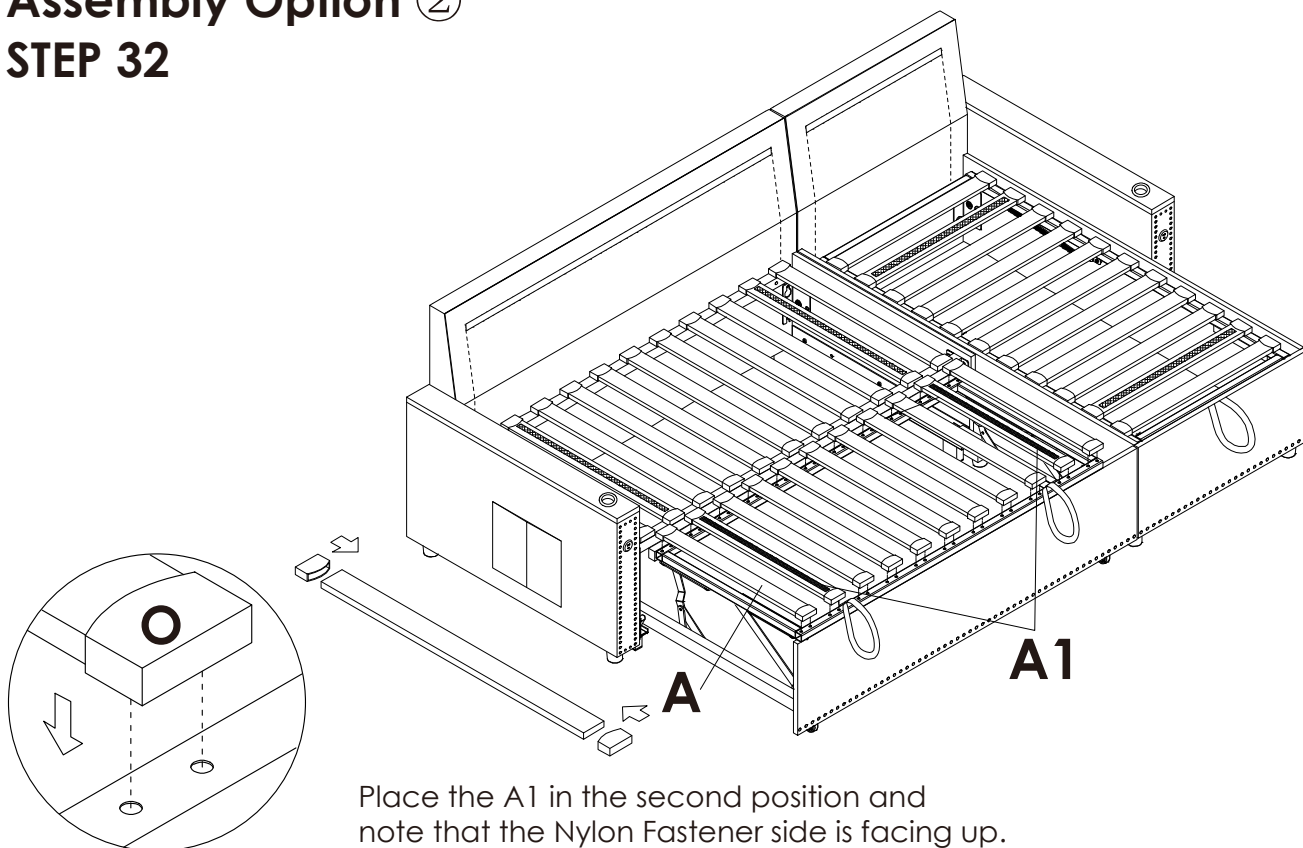
### STEP 31



Life it slightly and place it on the track.

Assembly Option ②

STEP 32



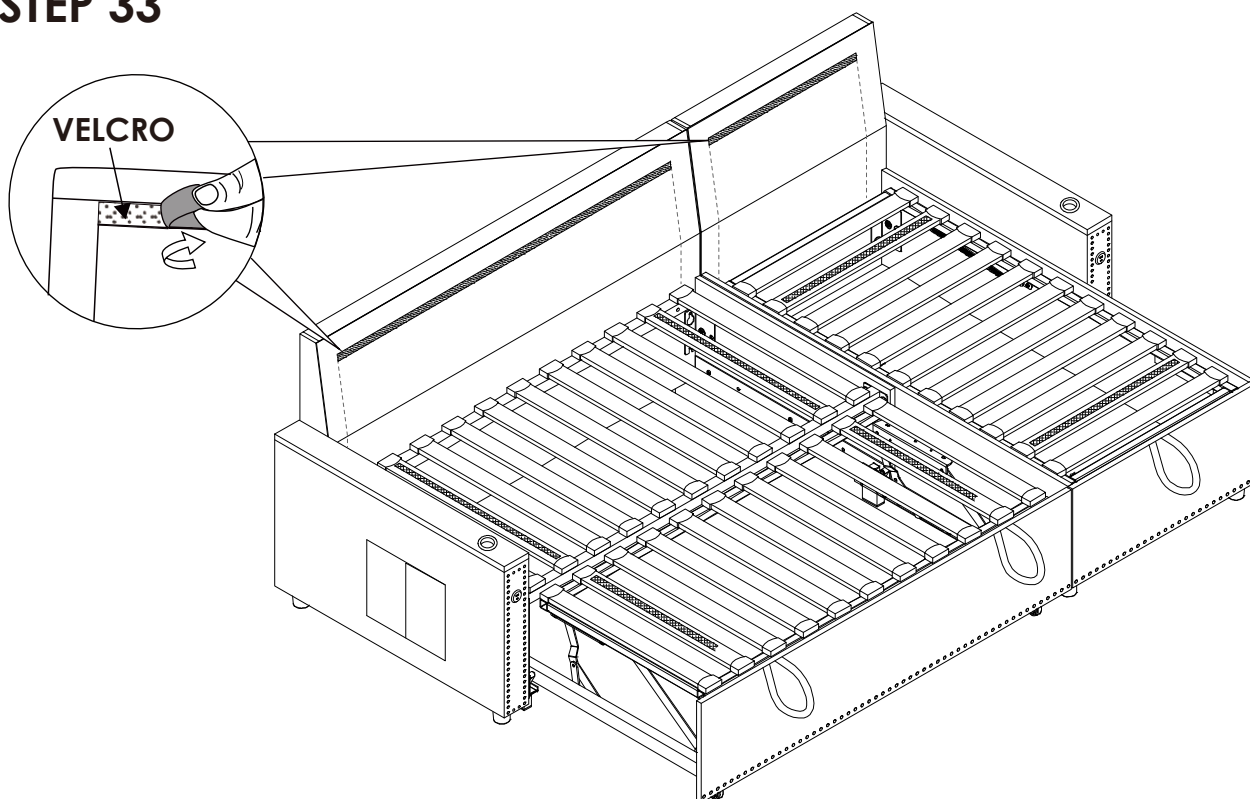
Place the A1 in the second position and note that the Nylon Fastener side is facing up.



○ x 22PCS

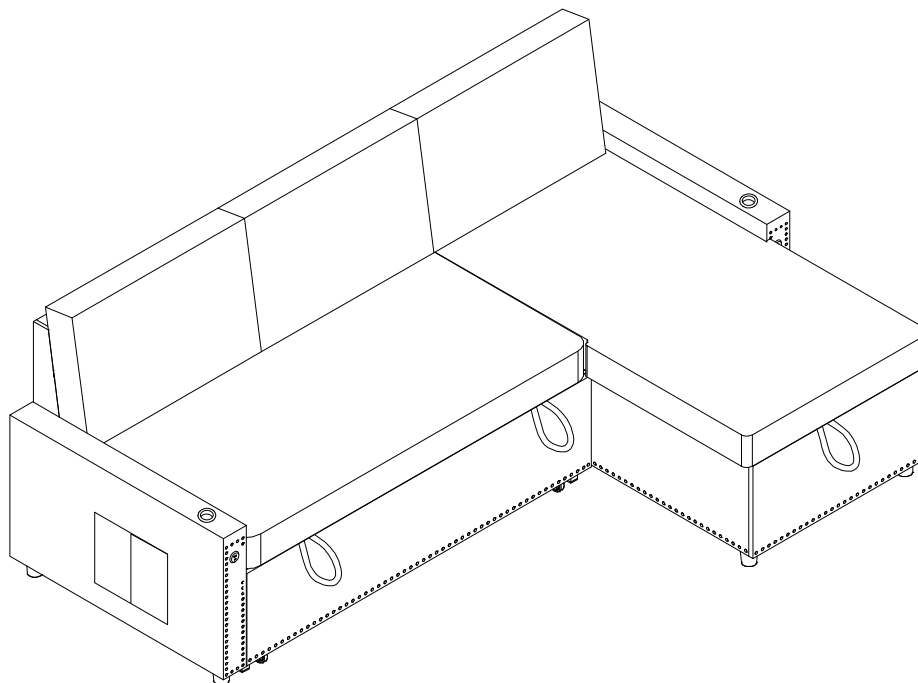
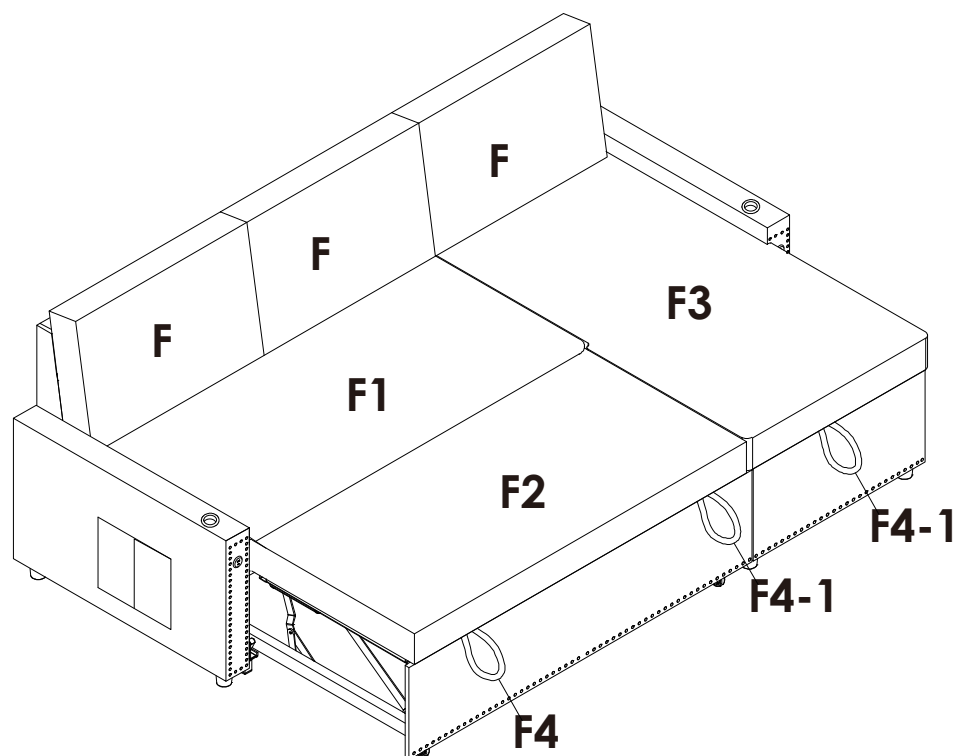
Assembly Option ②

STEP 33



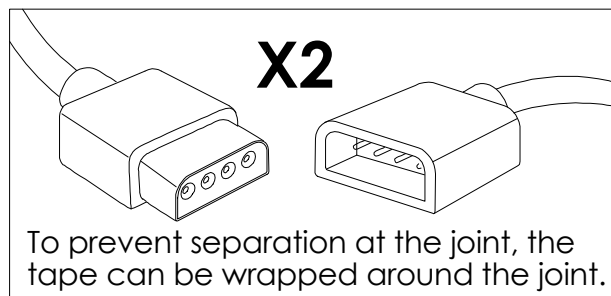
Assembly Option ②

STEP 34

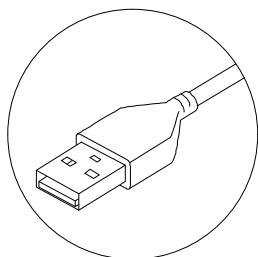


## Assembly Steps(EN) / Montageschritte(DE)

### STEP 35

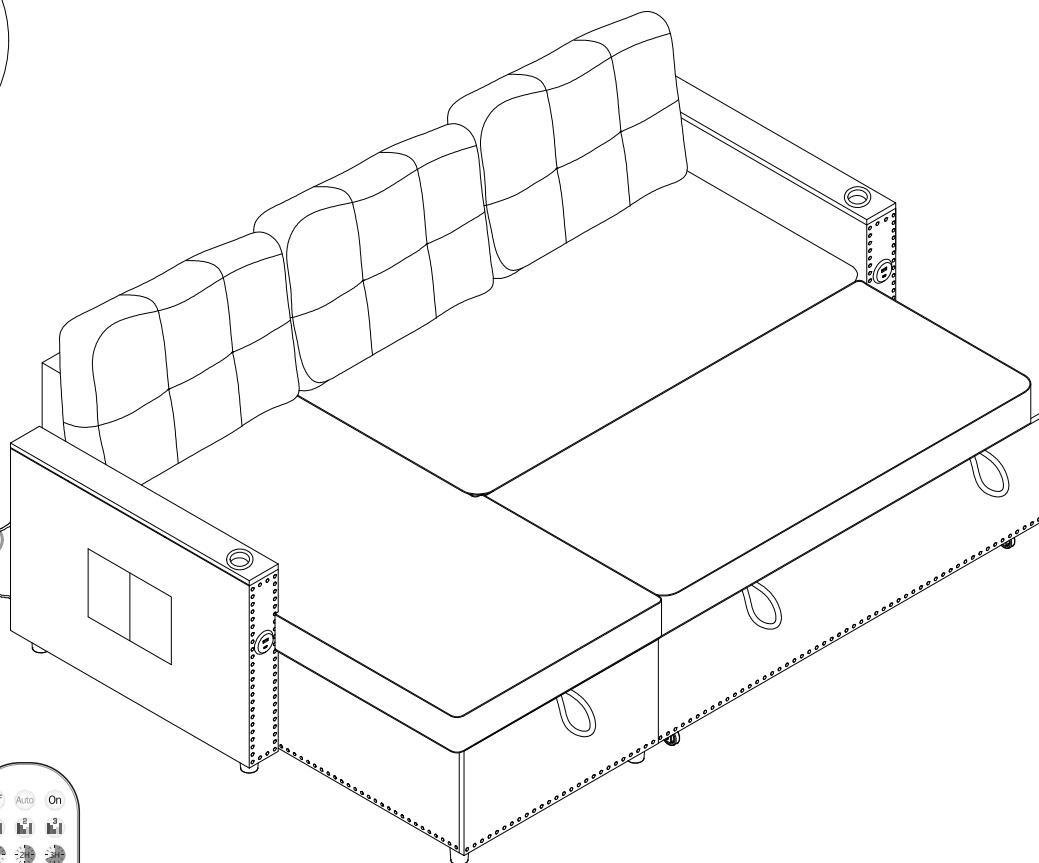


NOTE: The black part of the receiver (X2/X3) needs to be exposed to air in order to better control the LED light.



**X2**

**X3**



#### Remote control

You can use the remote control to control the light. The LED lamp can only be used after the power supply is connected