






1" DRAPERY ROD INSTALLATION INSTRUCTIONS - 36-72" ROD SET

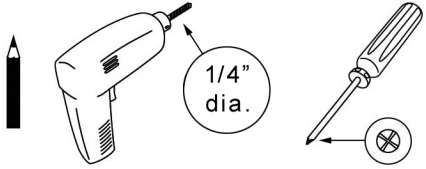
Care Instructions: Clean with a soft cloth. Do not use abrasive cleaning agents, solvents or polishes.

SET INCLUDES:

(A)	(B)	(C)	(D)	(E)
				
X10	X10	X2	X1	X1

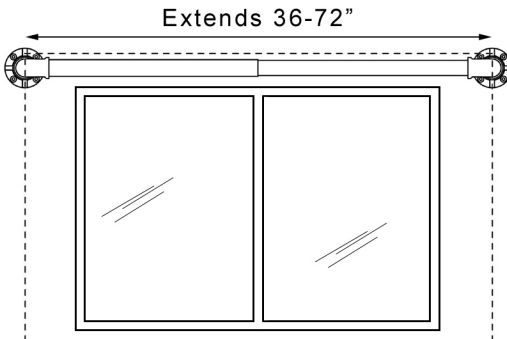
Extends 36-72"

YOU WILL NEED:



1/4" dia.

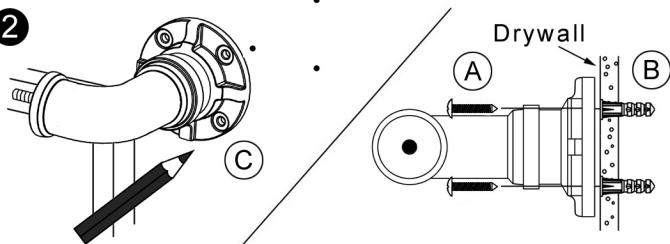
1



Extends 36-72"

Before installation, measure windows to determine appropriate drapery rod length.

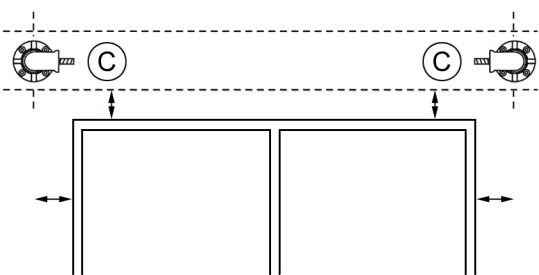
2



Drywall

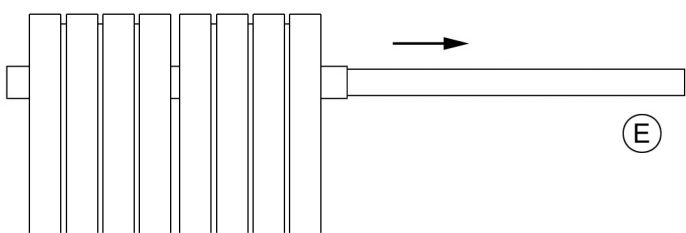
Use bracket (C) or drilling template (see reverse) as a guide to mark location for mounting screws (A). Drill pilot holes with 1/4" drill bit (not included). Insert wall anchors (B) and attach bracket (C) using mounting screws (A). Wall anchors may not be necessary if drilling into studs.

3



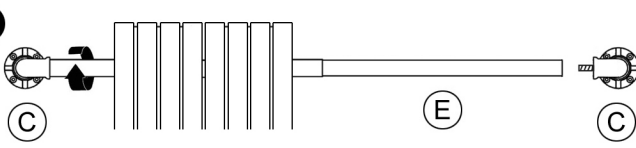
Repeat step 2 for additional bracket. Use level if necessary.

4

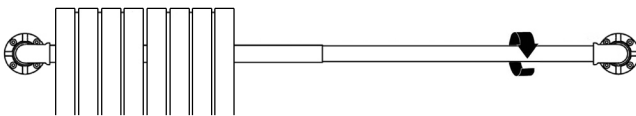


Place drapery panels (not included) onto drapery rod and extend to desired length.


5



Screw rod into one end bracket.

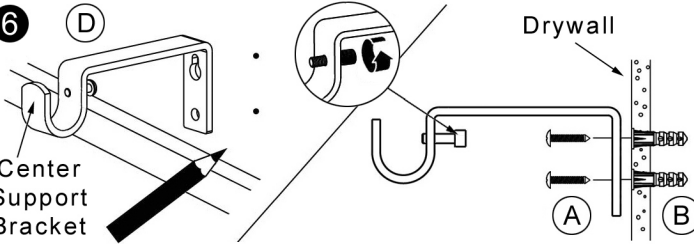


Gather drapery panels to this end. Extend rod to desired length and screw into other end bracket.



Separate panels to each end of rod.

6



Drywall

Center Support Bracket

Use bracket (D) as a guide to mark location for mounting screws (A). Drill pilot holes into wall with 1/4" drill bit (not included). Insert wall anchors (B) and attach bracket (D) using mounting screws (A). Wall anchors may not be necessary if drilling into studs. Tighten set screw to secure rod in place.