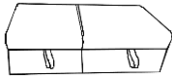

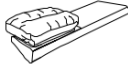








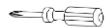
# ASSEMBLY INSTRUCTIONS

MODEL: LG-9801 Sleeper Seat & Side Chaise

## LIST OF PARTS-Sleeper Seat

NO.	Description	Item	Quantity	NO.	Description	Item	Quantity
A	PULL OUT SLEEPER SEAT		1 PC	F	RIGHT BACK CUSHION		1 PC
B	BACK REST		1 PC	I	MALE BRACKET		2 PCS
C	RSF ARM		2 PCS	O	SCREW (Ø8x45mm)		12 PCS
D	ROUND PLASTIC LEGS (50x50x50mm)		4 PCS	N	SCREW (Ø8x25mm)		16 PCS
E	CASTOR		4 PCS				

Please identify and locate all assembly parts (see parts list) before discarding any packing materials.  
Some parts may have become loose during transit.

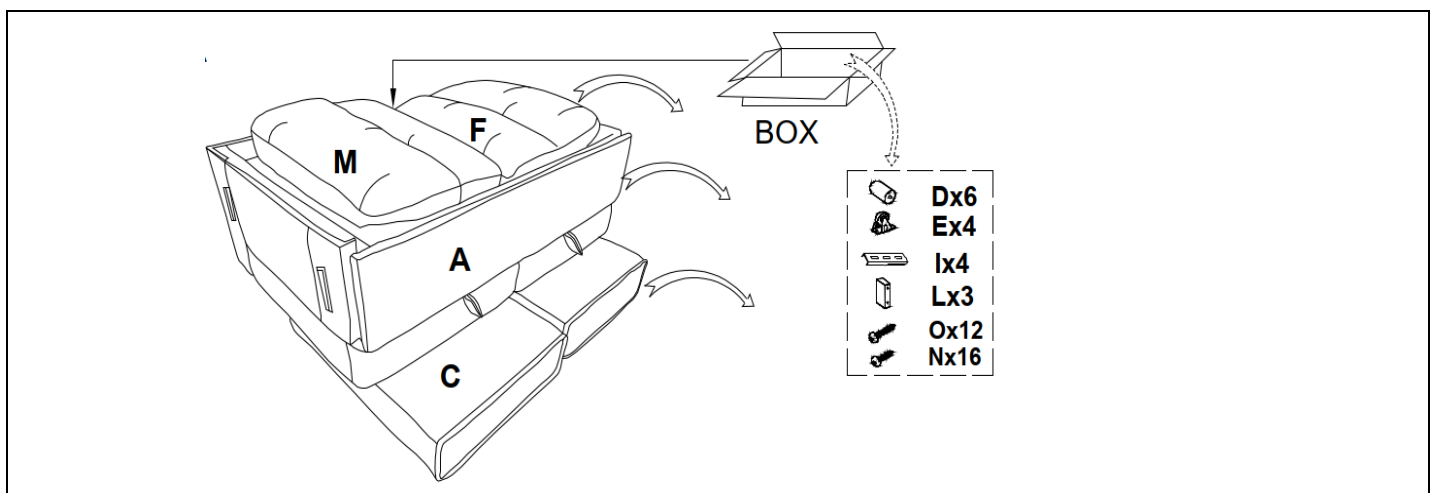


Not Included

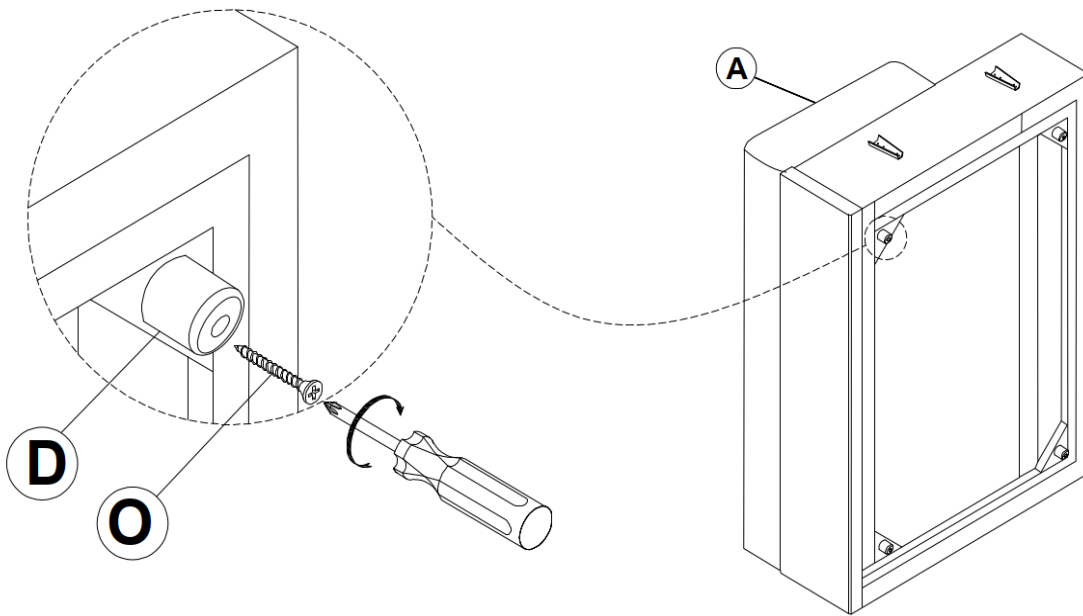
Note: Do not use power tools for assembly. Power tools increase the risk of over tightening which lead to splitting or cracking the wood.

## ASSEMBLY INSTRUCTIONS

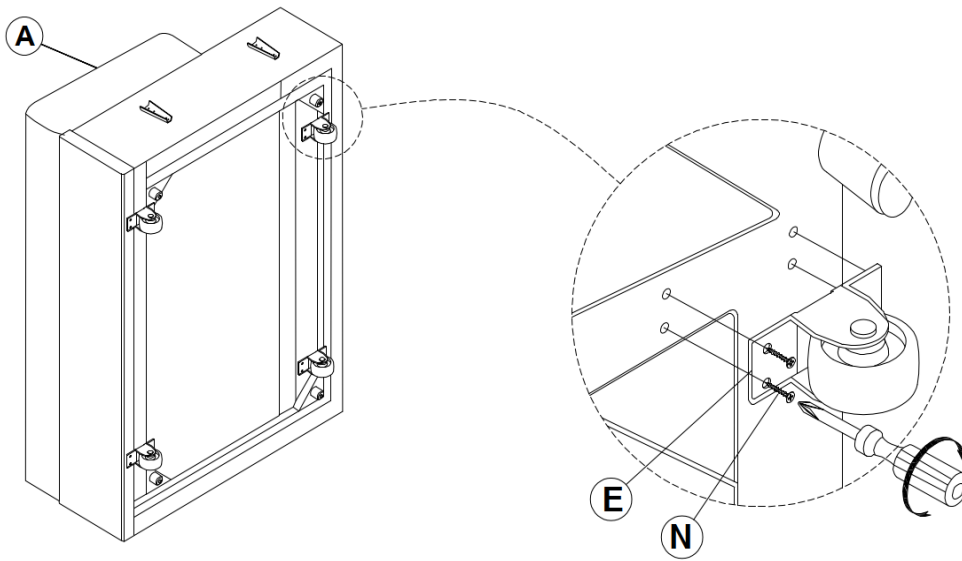
**STEP 1:** Take out carefully the Parts from the packing.



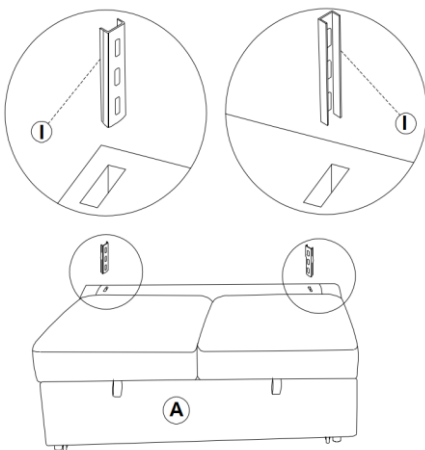
**STEP 2: Assemble the legs**



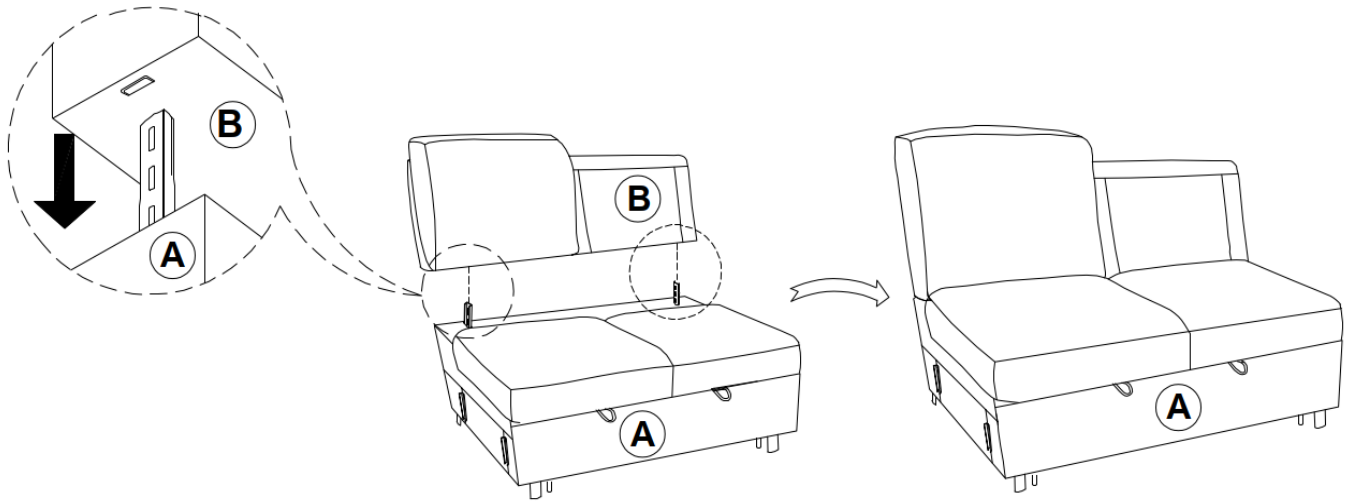
**STEP 3: Assemble the castors**



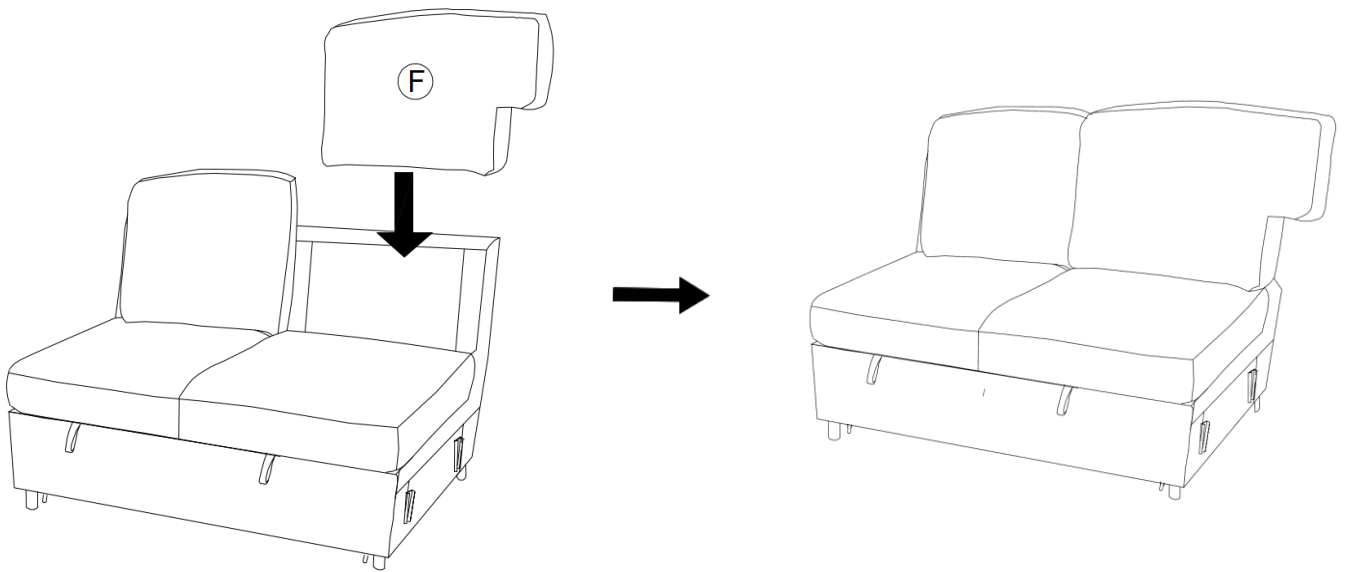
**STEP 4: Insert the brackets**



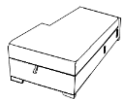
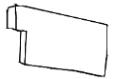
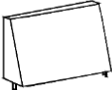




**STEP 5:**



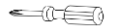
**STEP 6:**



**LIST OF PARTS-Side Chaise**

J	CHAISE SEAT		1 PC	M	BACK CUSHION LSF (packed in 2R)		1 PC
K	BACK REST		1 PC	I	MALE BRACKET		2 PCS
L	PLASTIC LEG 150x50x50mm (packed in 2R)		3 PCS	D	ROUND PLASTIC LEG 50x50x50mm(packed in 2R)		2 PCS
Z	Pillows		2 PCS				

Please identify and locate all assembly parts (see parts list) before discarding any packing materials.  
Some parts may have become loose during transit.

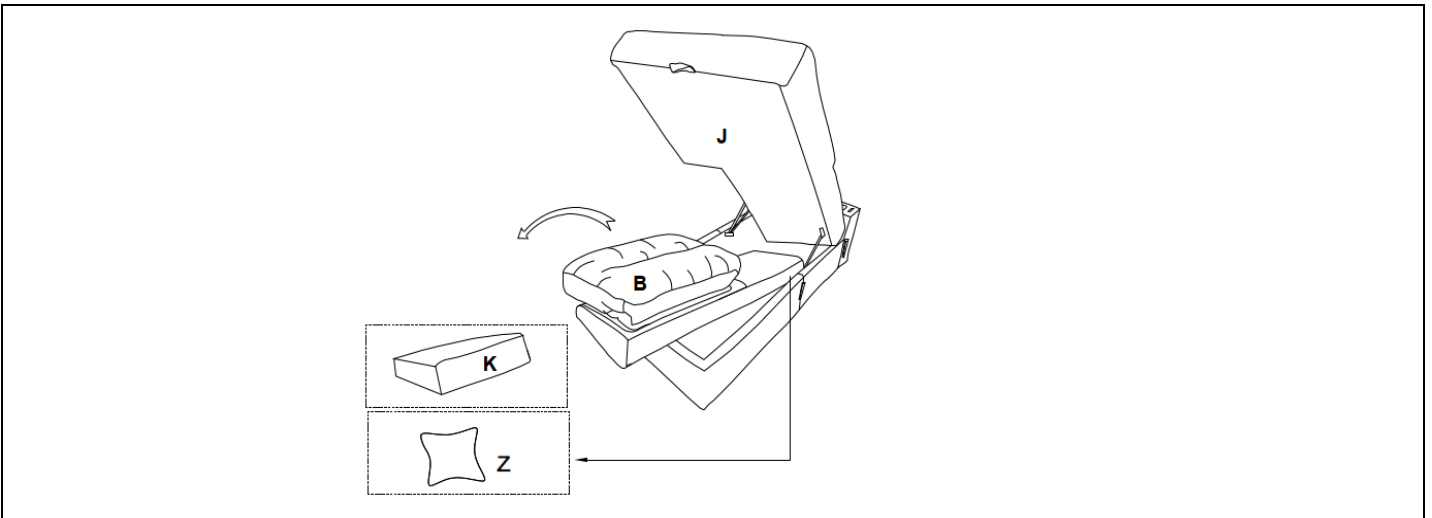


Not Included

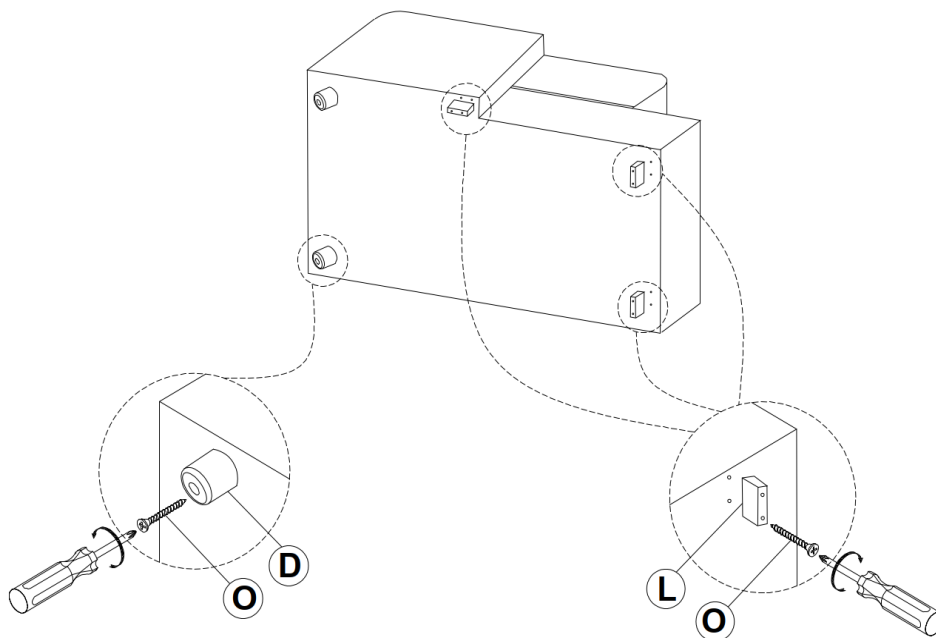
Note: Do not use power tools for assembly. Power tools increase the risk of over tightening which lead to splitting or cracking the wood.

**ASSEMBLY INSTRUCTIONS**

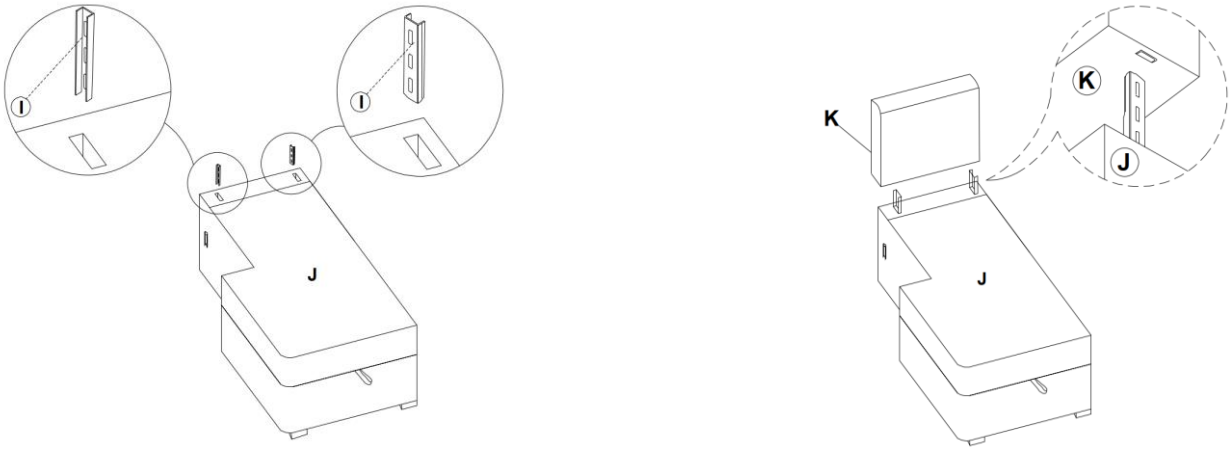
**STEP 1:** Take out carefully the Parts from the packing.



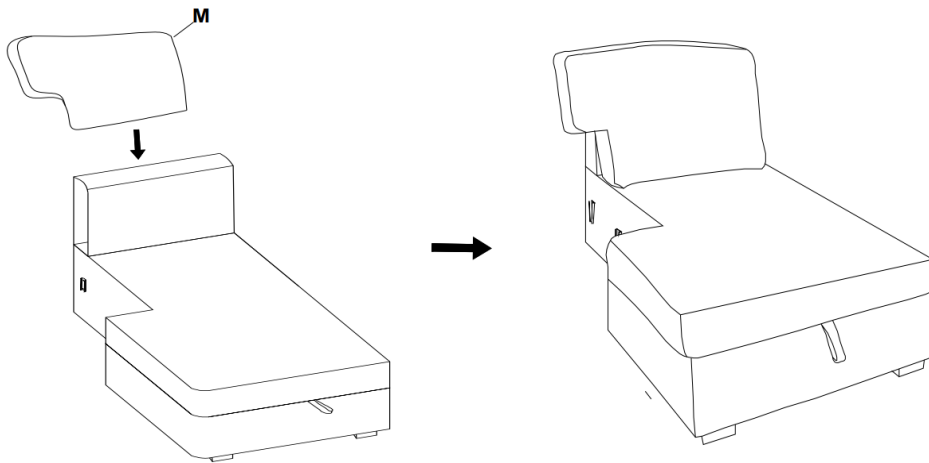
**STEP 2:** Assemble the legs



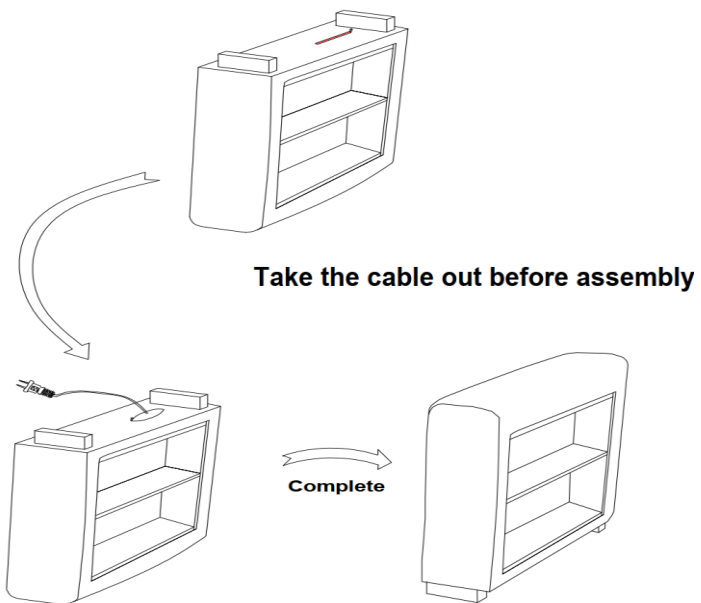
**STEP 3: Insert the brackets**



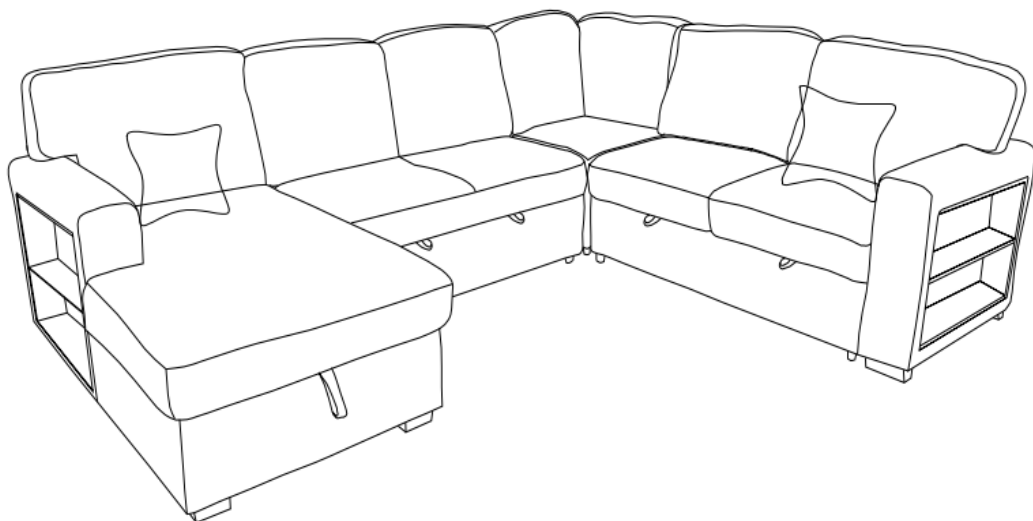
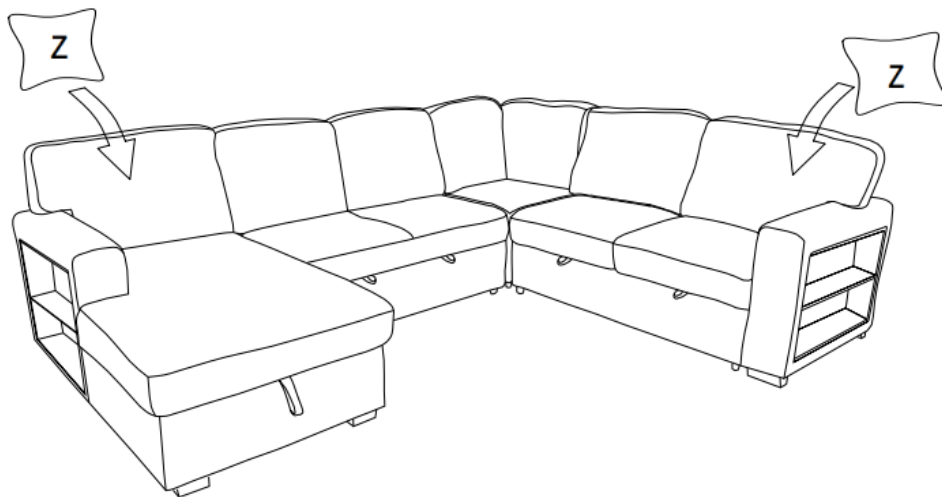
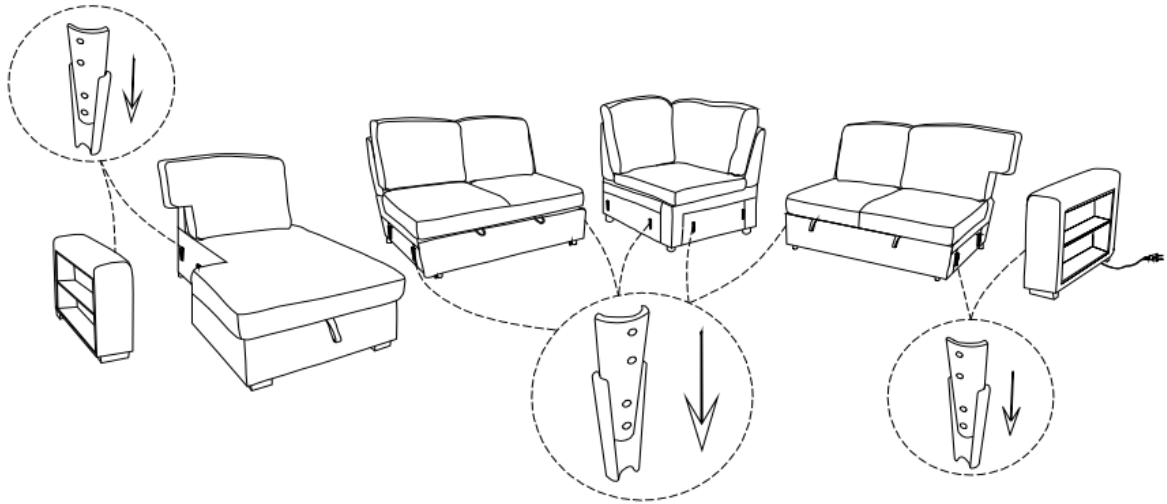
**STEP 4:**



**STEP 5:**



**STEP 6: ASSEMBLE THE SECTIONAL**



**WARNINGS**

- Do not stand or jump on any portion of the sofa , whether in the open or closed position.
- For indoor use only.
- Please do not expose to direct sunlight.
- Do not allow electrical components to come into contact with any liquids.