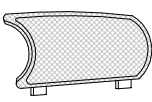
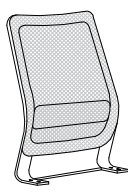


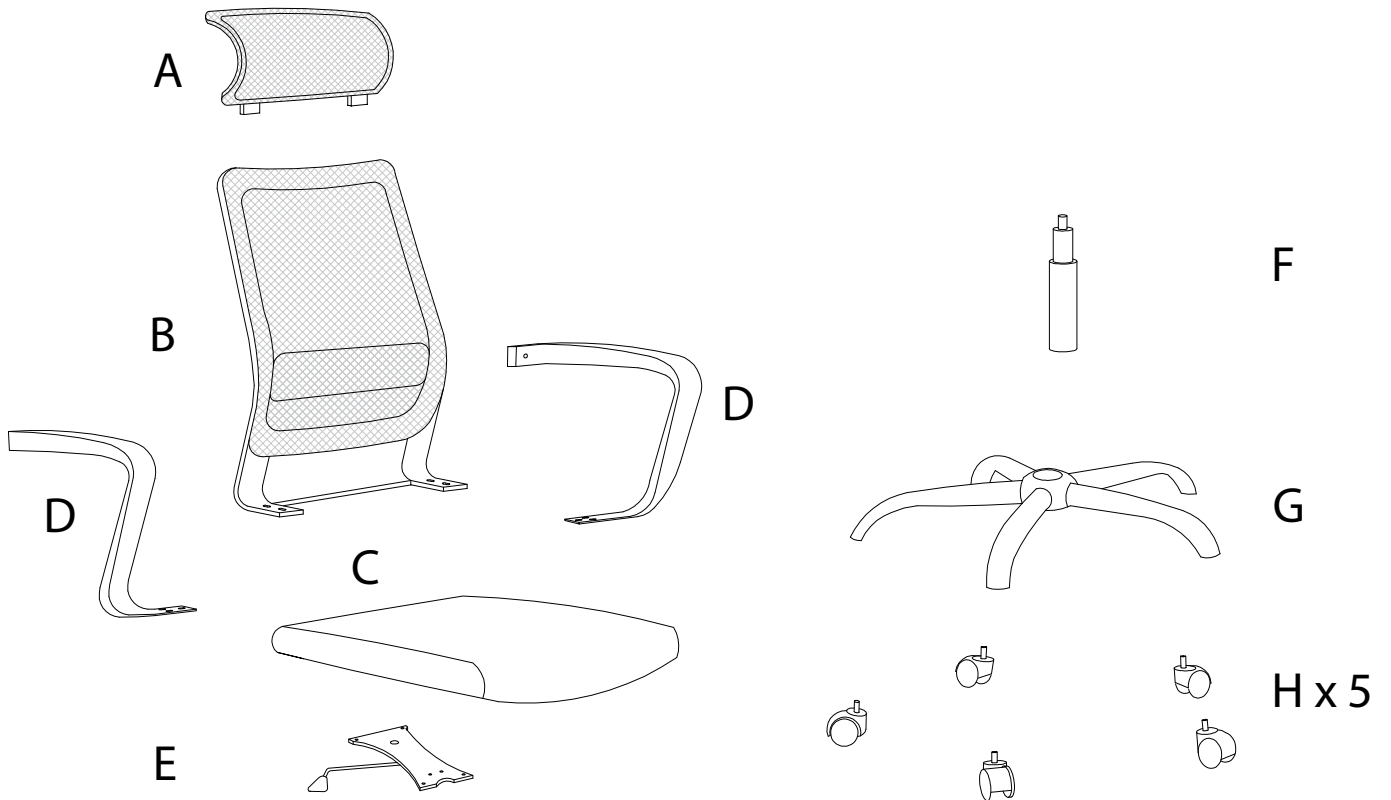


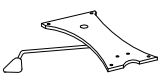
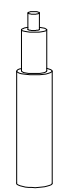

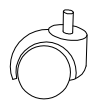
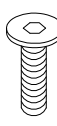
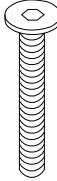
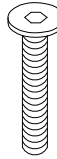
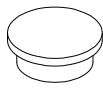
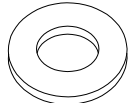
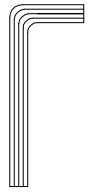


Diagram illustrating safety warnings and installation instructions:

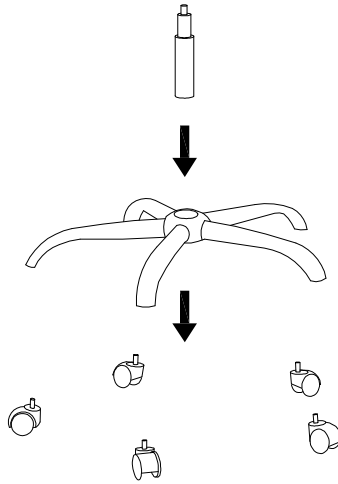
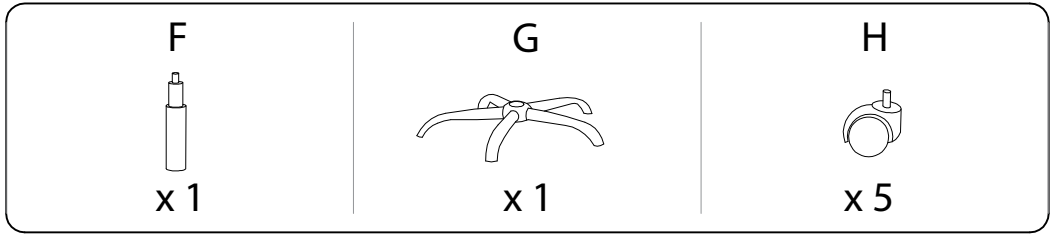
- Warning 1:** A triangle with an exclamation mark points to a box containing an L-shaped bracket and a crossed-out power drill, indicating that a power drill should not be used to install the bracket.
- Warning 2:** A triangle with an exclamation mark points to a box containing a rectangular block on a textured surface and a crossed-out block with a screw, indicating that the chair should be placed on a soft surface and not directly on a hard floor.
- Time:** A clock icon with the text "30'" below it, indicating a 30-minute installation time.
- Person:** A person icon with the text "1" below it, indicating that one person is required for installation.

A	B	C	D
			
x 1	x 1	x 1	x 2

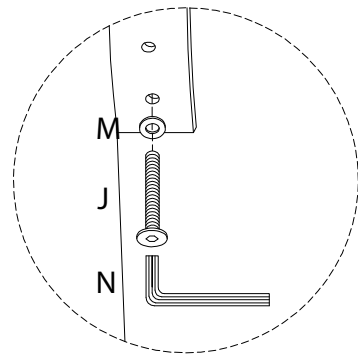
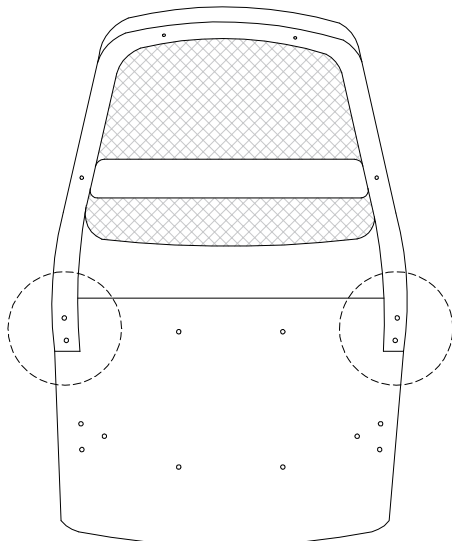
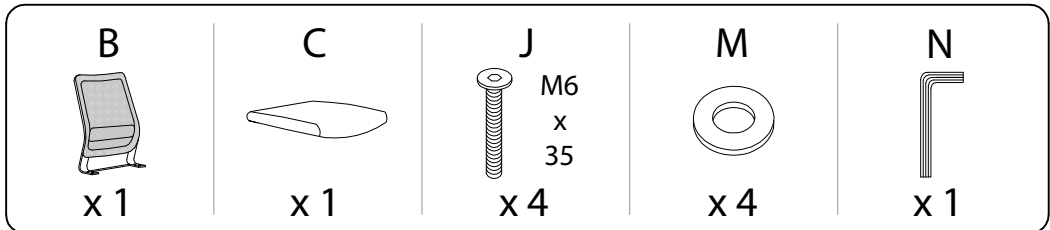


E	F	G	H	I
				
x 1	x 1	x 1	x 5	x 6
J	K	L	M	N
				
x 10	x 2	x 2	x 14	x 1

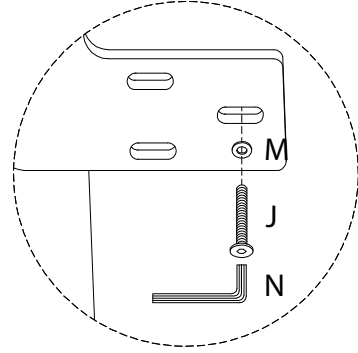
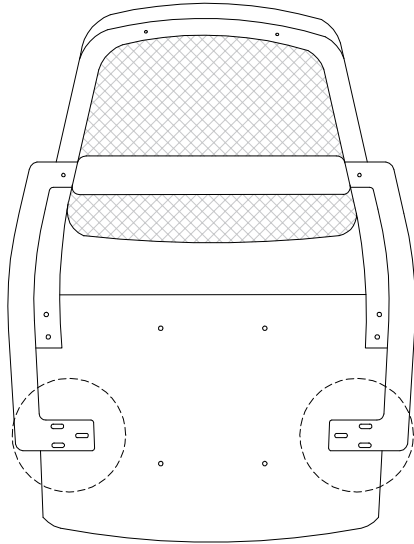
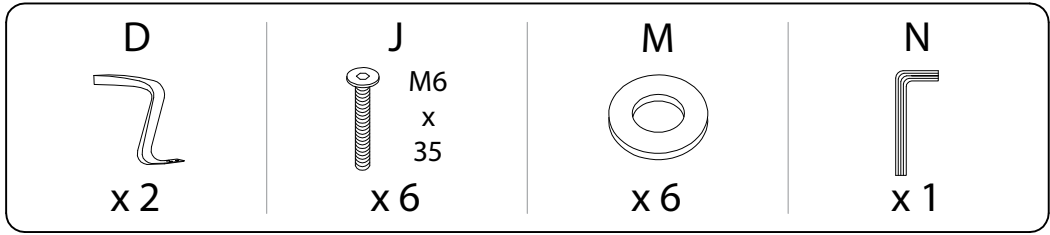
1



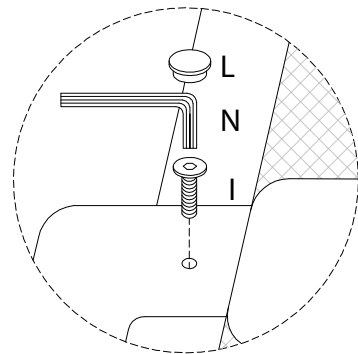
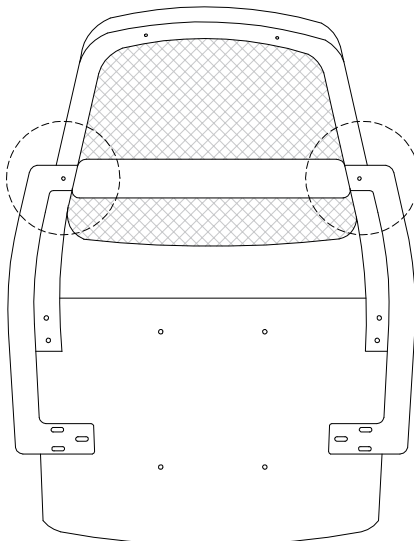
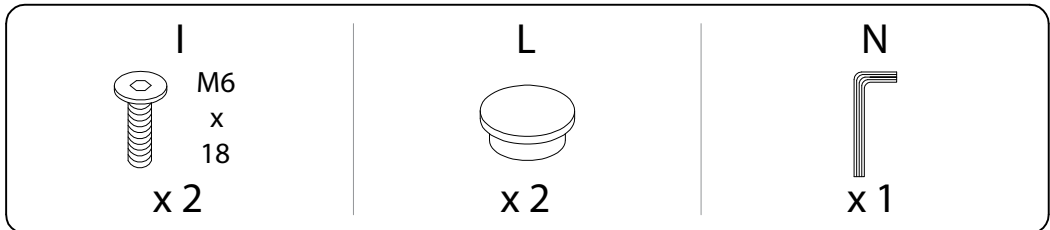
2



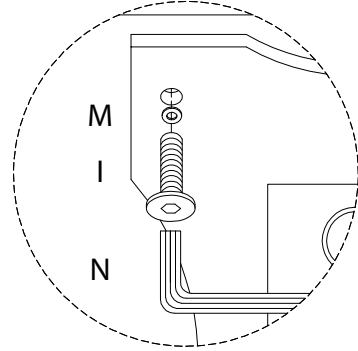
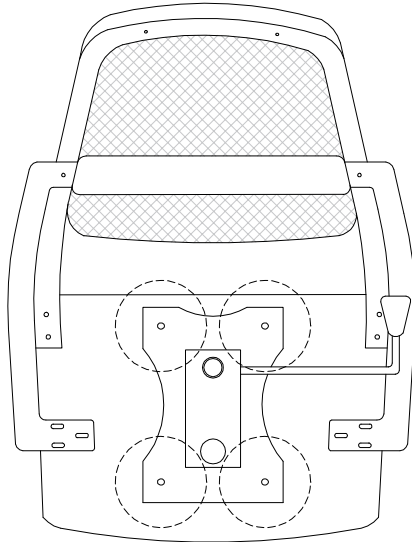
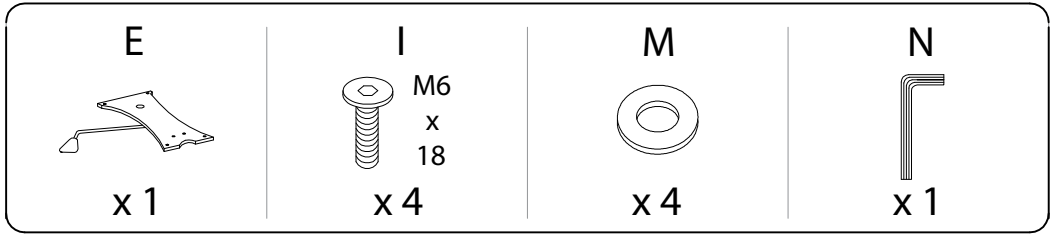
3



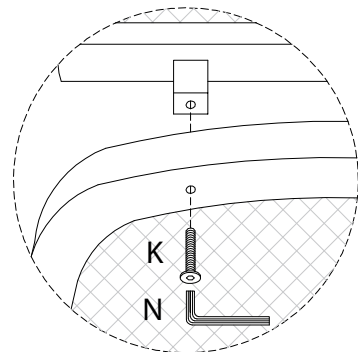
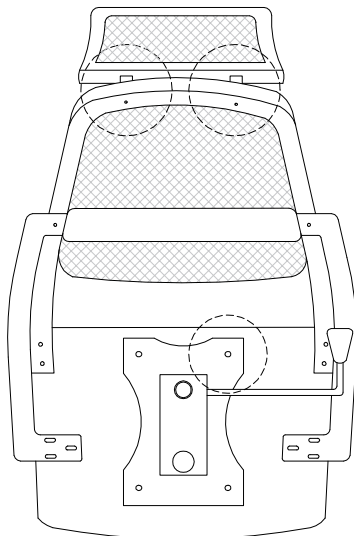
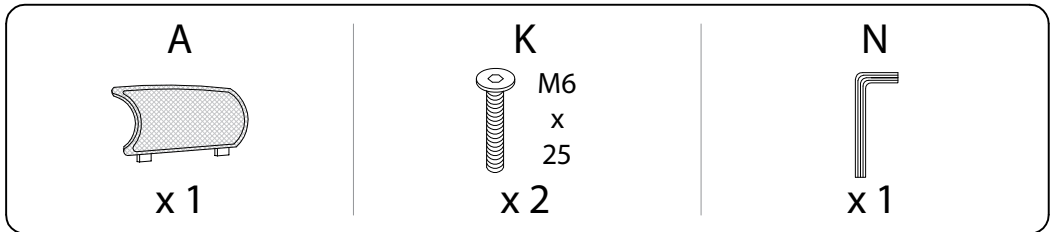
4



5



6



7

