

# RVL2300

FIRECLAY FARMHOUSE SINK

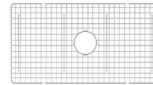
**RUVATI**<sup>®</sup>  
SPECIFICATION SHEET

## MATERIAL

- True Italian Fireclay - Made in ITALY.
- 1-inch thick solid fireclay.
- Fired at 2900F for extreme strength.

## FEATURES

- Large deep bowl.
- Rounded inside corners.
- Glossy enamel surface resistant to stains and scratches.



## COLOR OPTIONS

**BK:** Glossy Black

**CR:** Cracked White

**SB:** Distressed Coastal Blue

**WH:** White

**BS:** Biscuit

**GR:** Horizon Gray

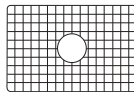
**SW:** Distressed White

**EG:** Emerald Green

## IN THE BOX



Basket Strainer  
[RVA1039ST]



Rinse Grid  
[RVA623009]

## NOMINAL DIMENSIONS

Exterior: 32-3/4" (wide) x 20-1/4" (front-to-back)

Interior Bowl: 30-3/4" (wide) x 18-1/4" (front-to-back)

Bowl Depth: 8-3/4"

Minimum Cabinet Size: 36" wide

Drain Hole Size: 3 1/2"

Installation Type:

Farmhouse

Inside Corners:

Rounded

Drain Location:

Center

**RUVATI USA**

www.ruvati.com

Phone: 1.855.478.8284  
Email: support@ruvati.com

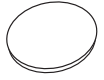
# OPTIONAL ACCESSORIES (SOLD SEPARATELY)



Deep Basket  
Disposal Flange  
[RVA1049ST]

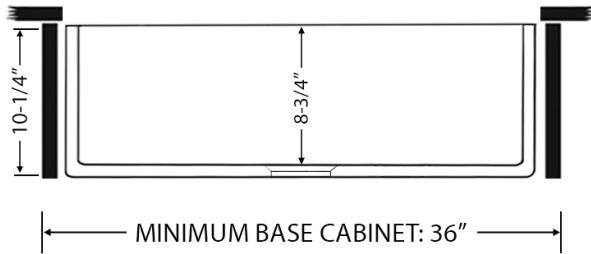
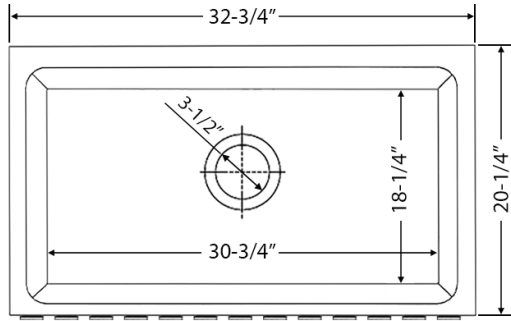


Deep Basket  
Disposal Flange/Stopper  
[RVA1052ST]



Drain Cover  
[RVA1035]

## DIMENSIONS



**SCAN TO REGISTER YOUR WARRANTY**

or visit  
[www.ruvati.com/register](http://www.ruvati.com/register)

**RUVATI USA**  
[www.ruvati.com](http://www.ruvati.com)

Phone: 1.855.478.8284  
Email: [support@ruvati.com](mailto:support@ruvati.com)