


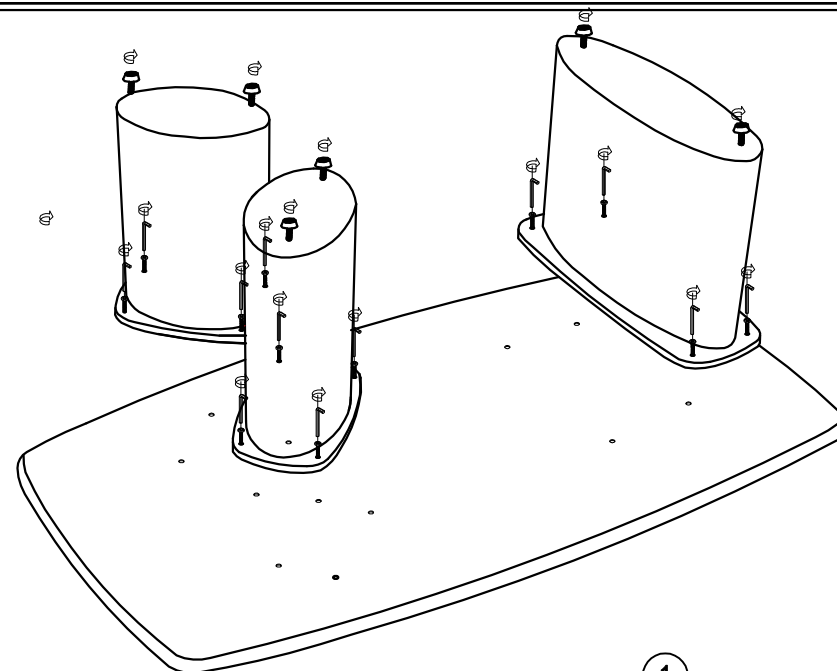


Installation & assembly

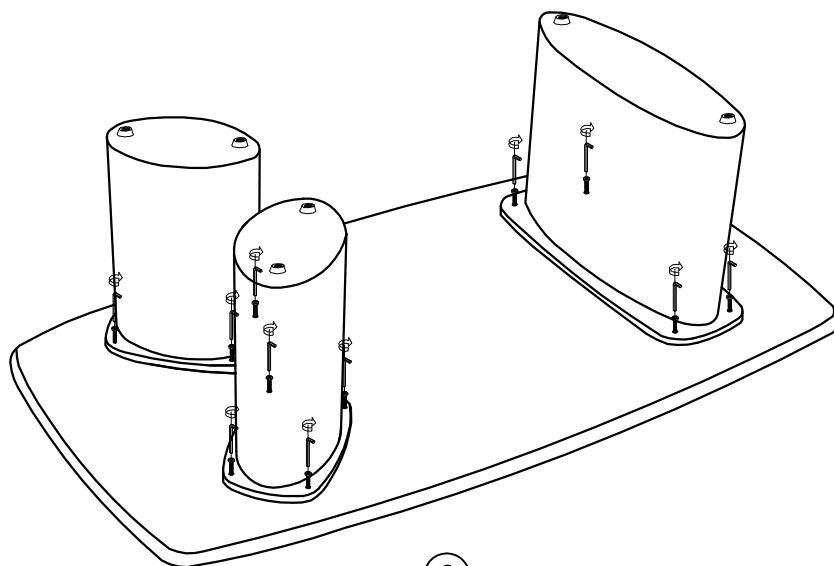
Product Name

Hardware Pack

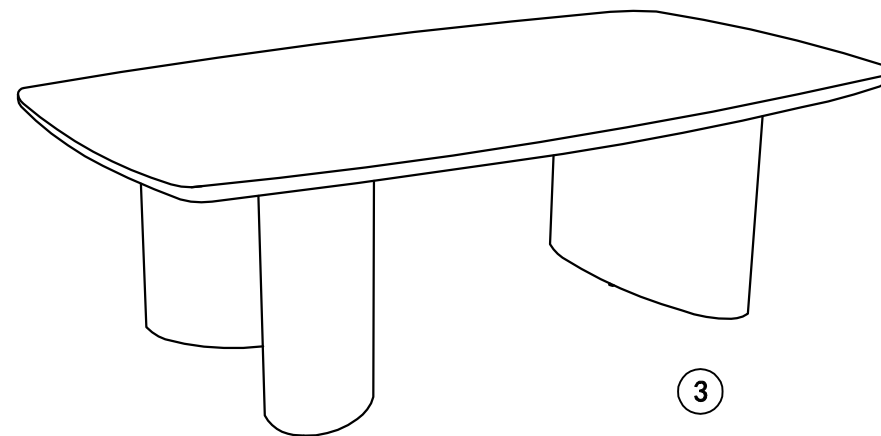
Name	Shape	QTY	Name	Shape	QTY
socket wrench		1	M8*25 Guide screw		12
Rubber foot		6			



1



2



3

① Glass countertopx1 , table legx2

③ Set the table upright,
completing the installation

② Turn the table top over and screw into the
holes in the bottom of the table top and
then into the holes in the base.