

---

---

# STORAGE CABINET

User Manual

---

---

## **INTRODUCTION**

Thank you for choosing the kitchen pantry cabinet. Please read this user manual carefully and keep it for future reference. If you need any assistance, please contact us by email with your order number and details.

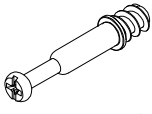
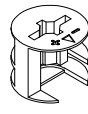
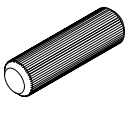
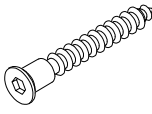
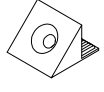

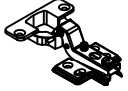

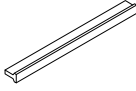

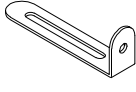
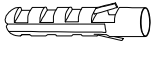

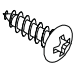

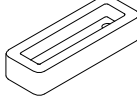

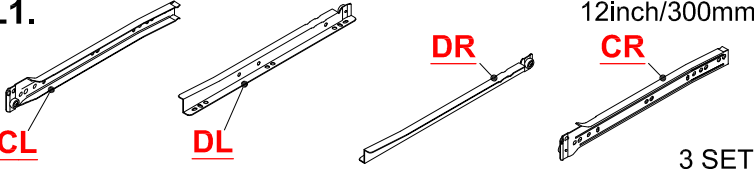

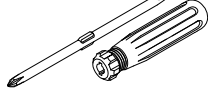

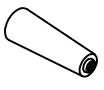
## **PACKAGE CONTENTS**

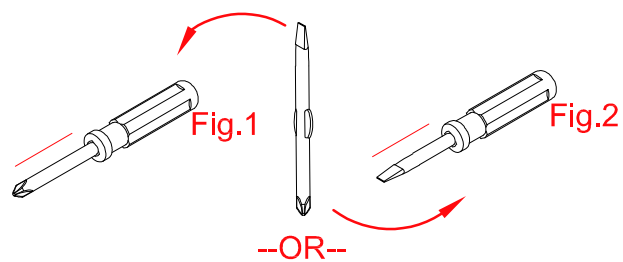
- 1 x Storage cabinet
- 2 x Pack of Accessories
- 1 x User Manual

## **PRODUCT CARE**

- Please follow the instruction to assemble this item correctly.
- Don't make the screws be too loose or too tight.
- Please put the screws into the holes' position just as shown in the arrows of the image, and then clockwise rotate 90° or 180°
- More product parts, it is recommended that two people install
- The fittings pack contains small accessories that should be kept away from small children.

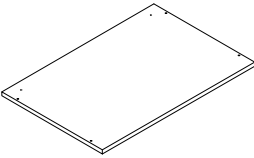
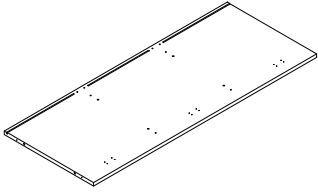
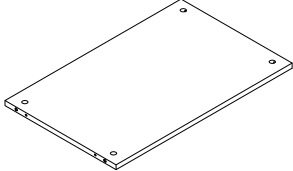
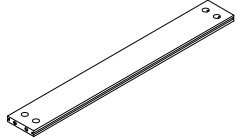
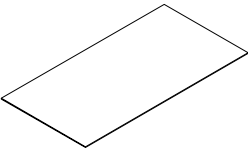
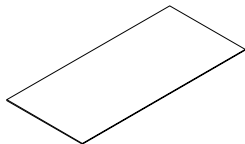
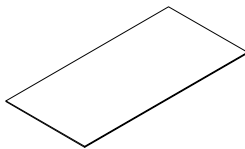
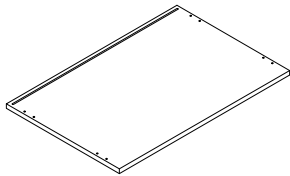
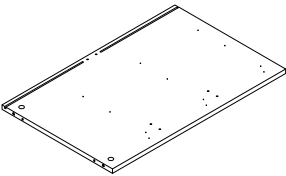
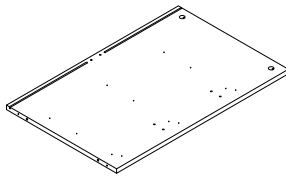
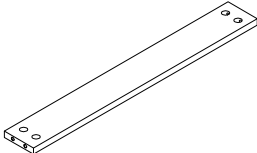
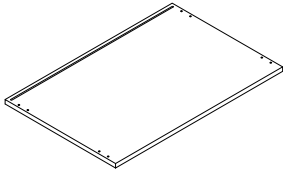
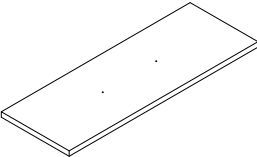
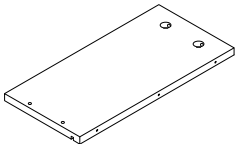
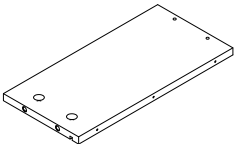
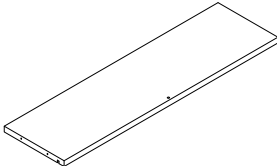
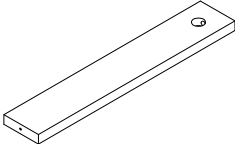
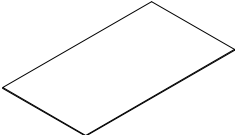
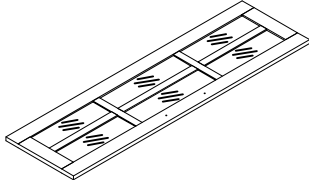
# HARDWARE SUPPLIED

<b>A.</b> 6x35mm  49 PCS	<b>B.</b> 15x9.5mm  49 PCS	<b>C.</b> Ø6x30mm  26 PCS	<b>D.</b> M5*46mm  13 PCS	<b>E1.</b> 14*15*10mm  22 PCS
<b>E2.</b> #6*Φ3*16mm  22 PCS	<b>F1.</b> 110*61*40mm  6 PCS	<b>F2.</b> #7*3.5*14mm  56 PCS	<b>G1.</b> 180*17*11mm  5 PCS	<b>G2.</b> M4*18mm  11 PCS
<b>H1.</b> 65*35*15mm  2PCS	<b>H2.</b> Ø6*35mm  2 PCS	<b>H3.</b> #8*Ø4*35mm  2 PCS	<b>H4.</b> #8*Ø3.5*12mm  2 PCS	<b>I.</b> Φ4*57*21mm  1 PC
<b>J.</b> 37*13*7mm  1 PC	<b>K.</b> #8*Ø4*30mm  16 PCS	<b>L1.</b>  12inch/300mm 3 SET		
<b>L2.</b> #7*Φ3.5*12mm  44 PCS	<b>M.</b> 140mm  1 PC	<b>N.</b> 60*60*10mm  4 PCS	<b>O.</b> Φ50*140mm  4 PCS	



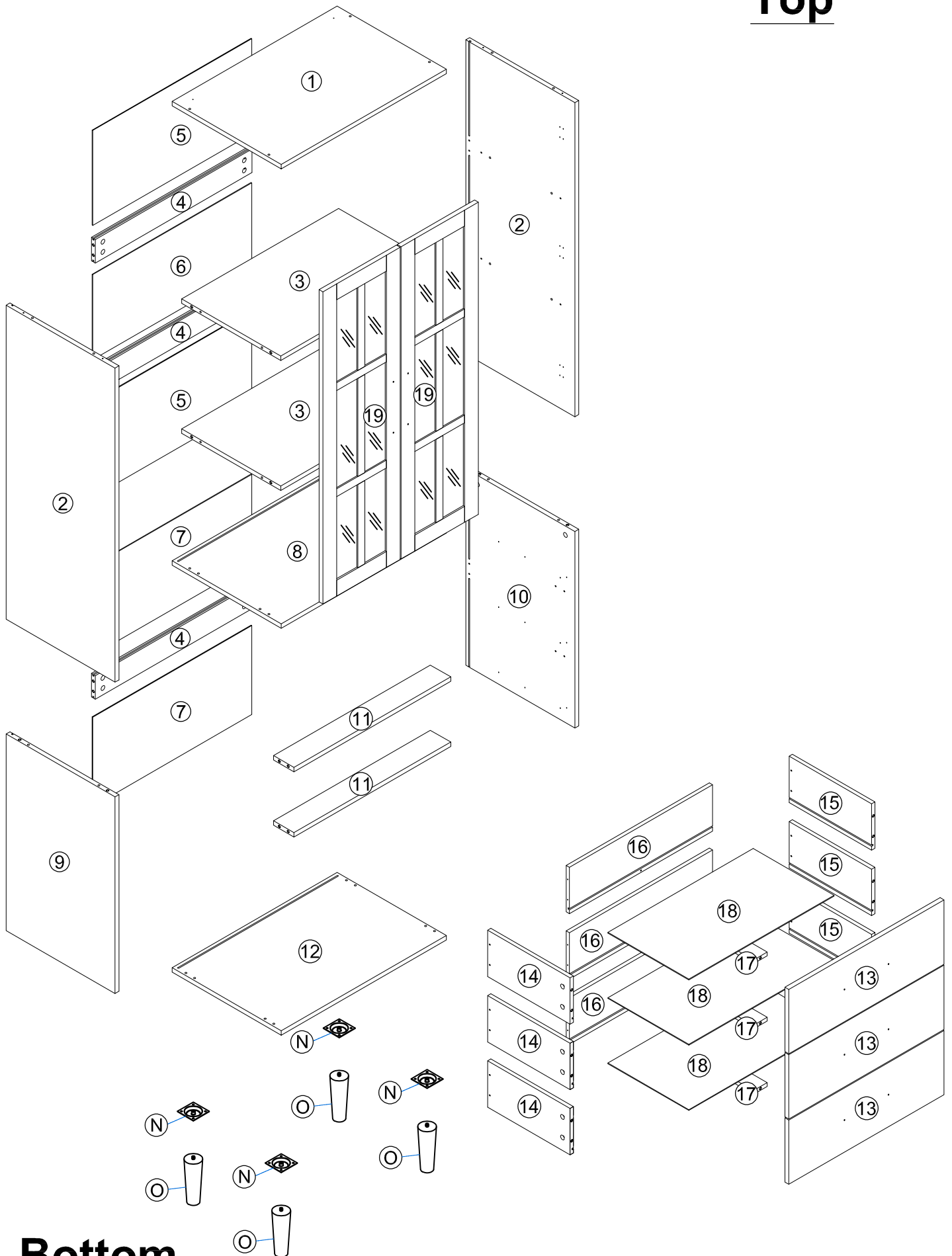
# PARTS LIST

Unit: (mm)

<p>① 600*397</p>  <p>1PC</p>	<p>② 989*396</p>  <p>2PCS</p>	<p>③ 570*360</p>  <p>2PCS</p>	<p>④ 570*74</p>  <p>3PCS</p>
<p>⑤ 578*299</p>  <p>2PCS</p>	<p>⑥ 578*268</p>  <p>1PC</p>	<p>⑦ 578*281</p>  <p>2PCS</p>	<p>⑧ 600*397</p>  <p>1PC</p>
<p>⑨ 619*396</p>  <p>1PC</p>	<p>⑩ 619*396</p>  <p>1PC</p>	<p>⑪ 570*74</p>  <p>2PCS</p>	<p>⑫ 600*397</p>  <p>1PC</p>
<p>⑬ 564*202.5</p>  <p>3PCS</p>	<p>⑭ 300*146</p>  <p>3PCS</p>	<p>⑮ 300*146</p>  <p>3PCS</p>	<p>⑯ 520.5*146</p>  <p>3PCS</p>
<p>⑰ 286*50</p>  <p>3PCS</p>	<p>⑱ 529*294</p>  <p>3PCS</p>	<p>⑲ 983*281</p>  <p>2PCS</p>	

# PANEL LAYOUT

Top



Bottom

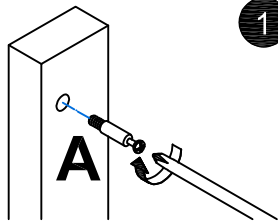
HOW TO



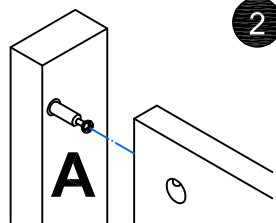
Cam lock



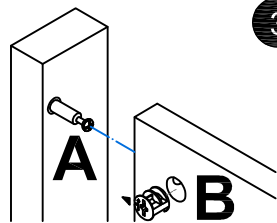
Cam bolt



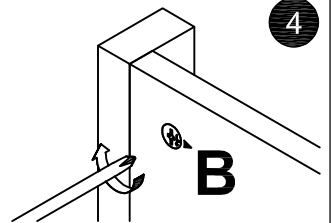
1. Screw Cam Bolt into panel



2. Insert Cam Bolt into bolt hole of joining panel.



3. Insert Cam Lock with arrow facing bolt.



4. Gently turn Cam Lock 180° clockwise to lock into position.

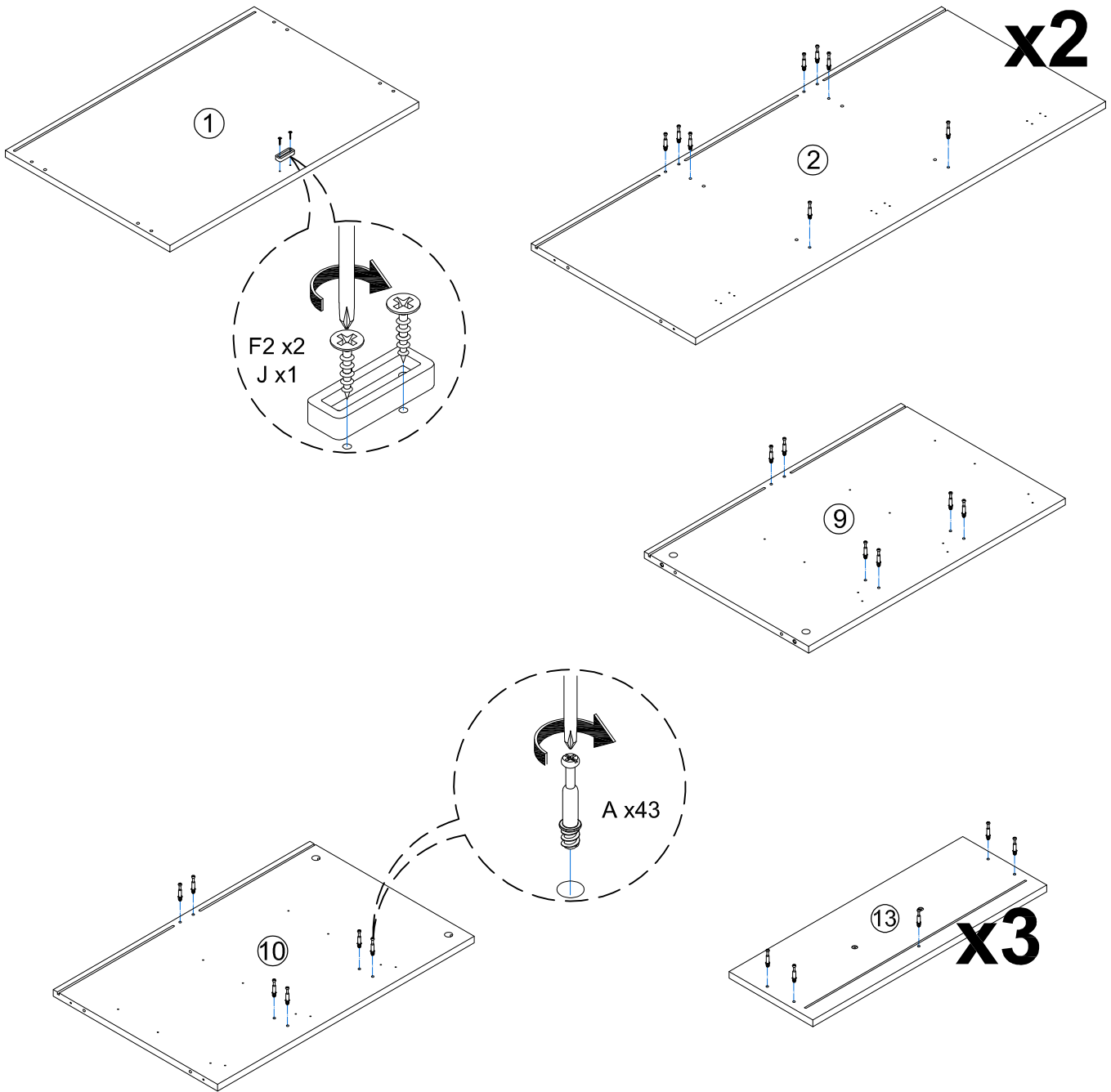
1

**YOU WILL NEED**

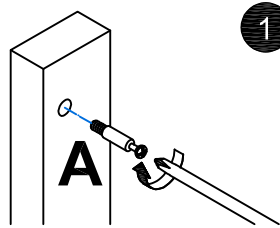
A x43

J x1

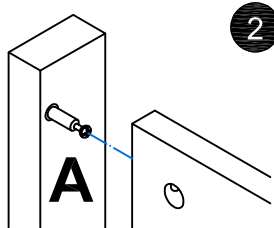
F2 x2



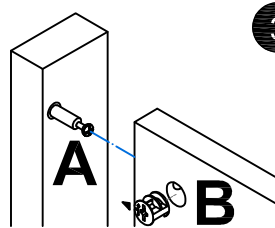
HOW TO



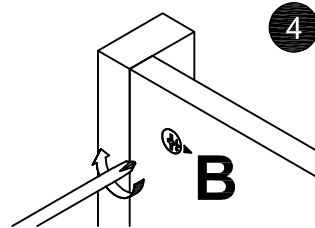
1. Screw Cam Bolt into panel



2. Insert Cam Bolt into bolt hole of joining panel.



3. Insert Cam Lock with arrow facing bolt.



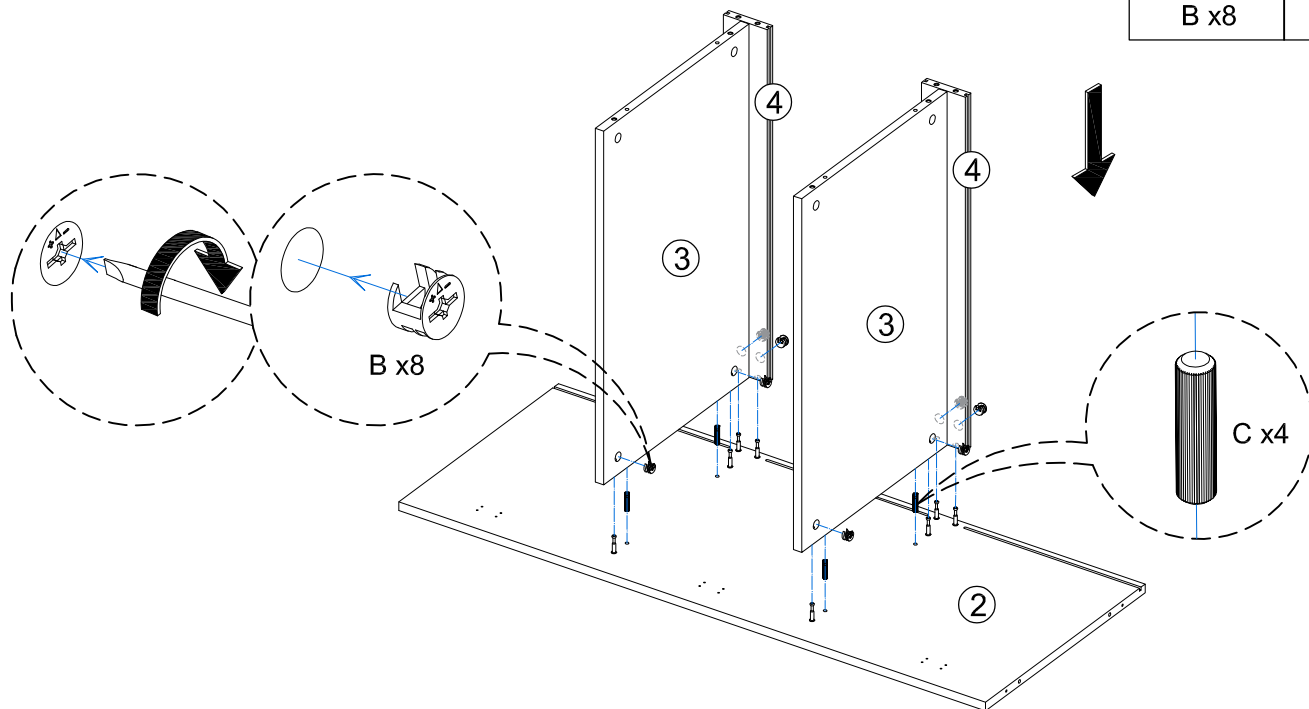
4. Gently turn Cam Lock 180° clockwise to lock into position.

2

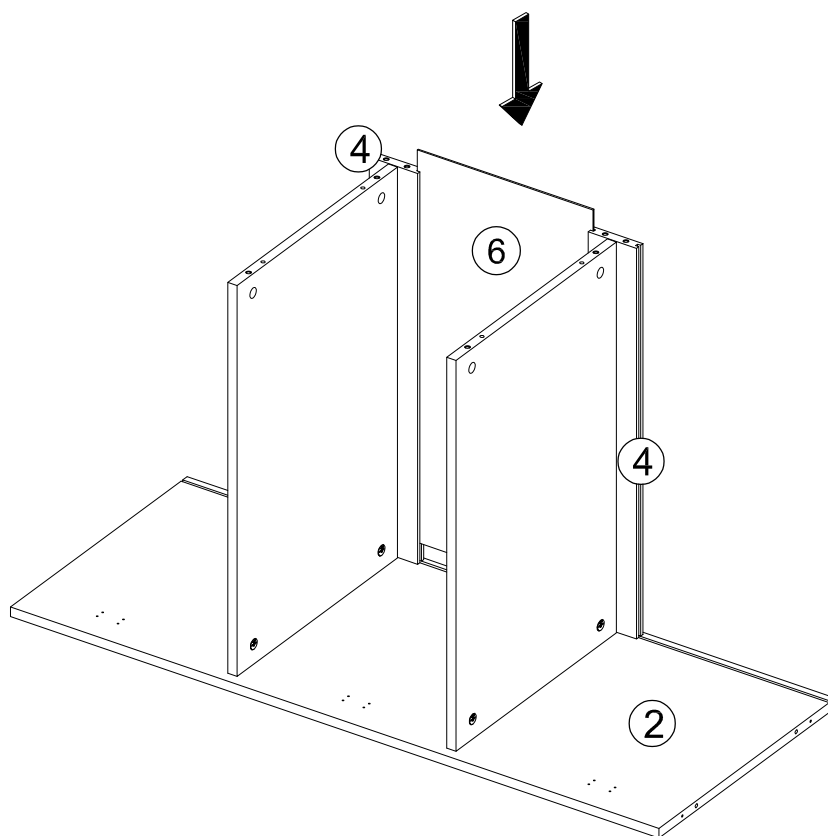
**YOU WILL NEED**

B x8

C x4



3



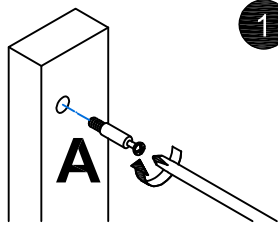
HOW TO



Cam lock

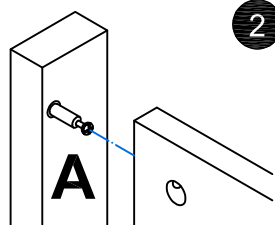


Cam bolt



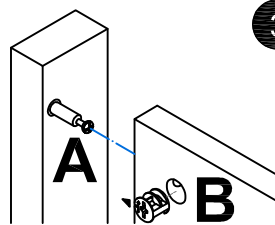
1

1. Screw Cam Bolt into panel



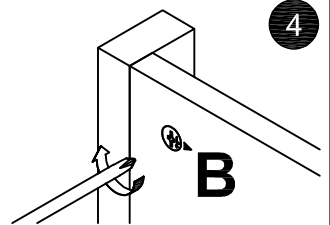
2

2. Insert Cam Bolt into bolt hole of joining panel.



3

3. Insert Cam Lock with arrow facing bolt.



4

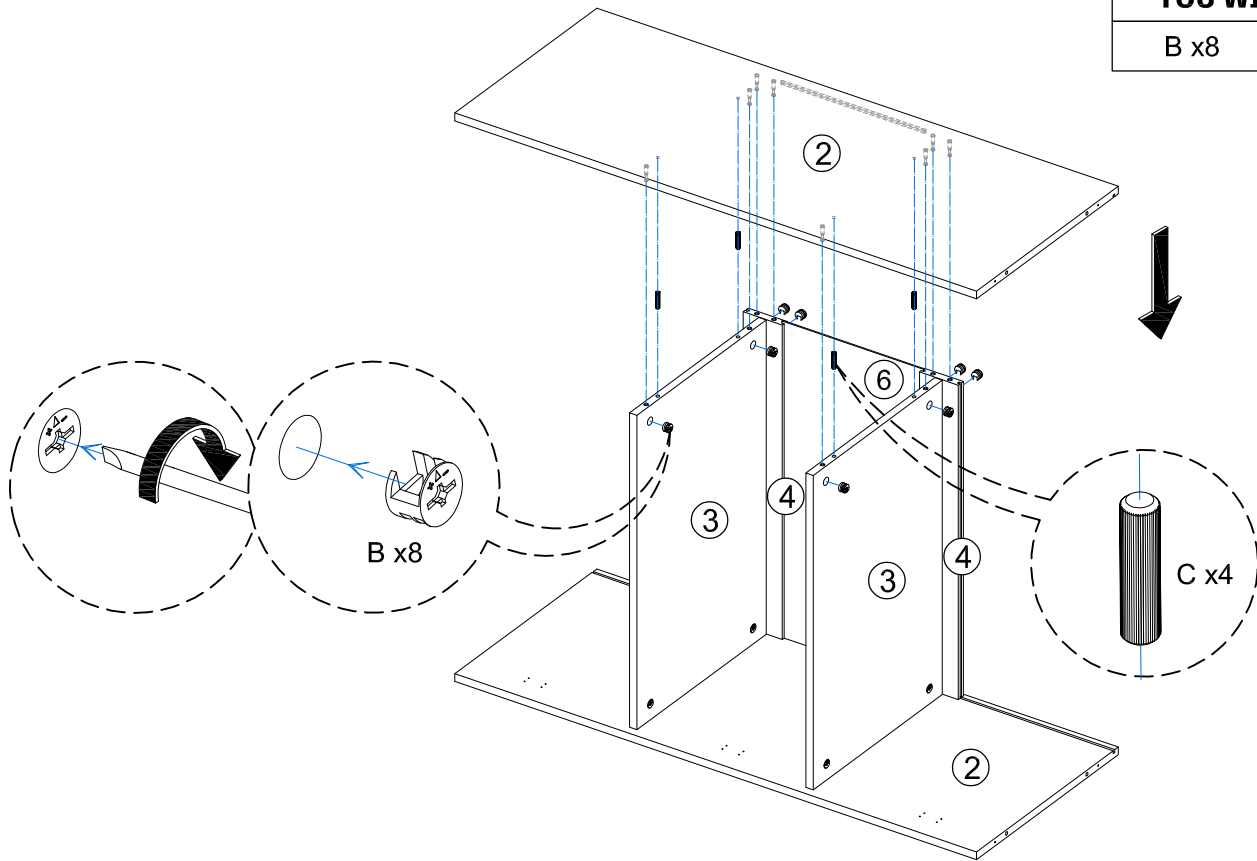
4. Gently turn Cam Lock 180° clockwise to lock into position.

4

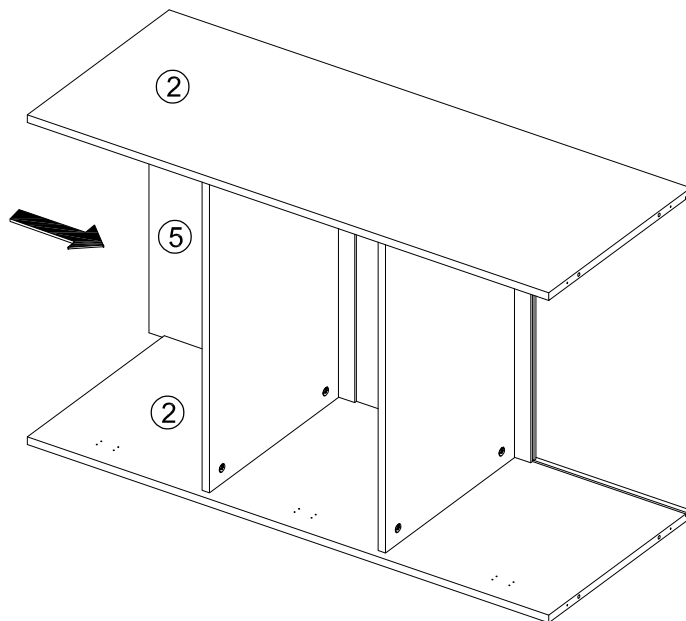
**YOU WILL NEED**

B x8

C x4



5



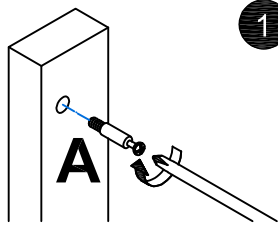
HOW TO



Cam lock

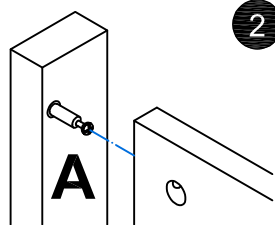


Cam bolt



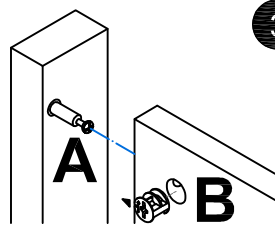
1

1. Screw Cam Bolt into panel



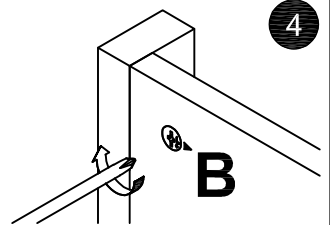
2

2. Insert Cam Bolt into bolt hole of joining panel.



3

3. Insert Cam Lock with arrow facing bolt.



4

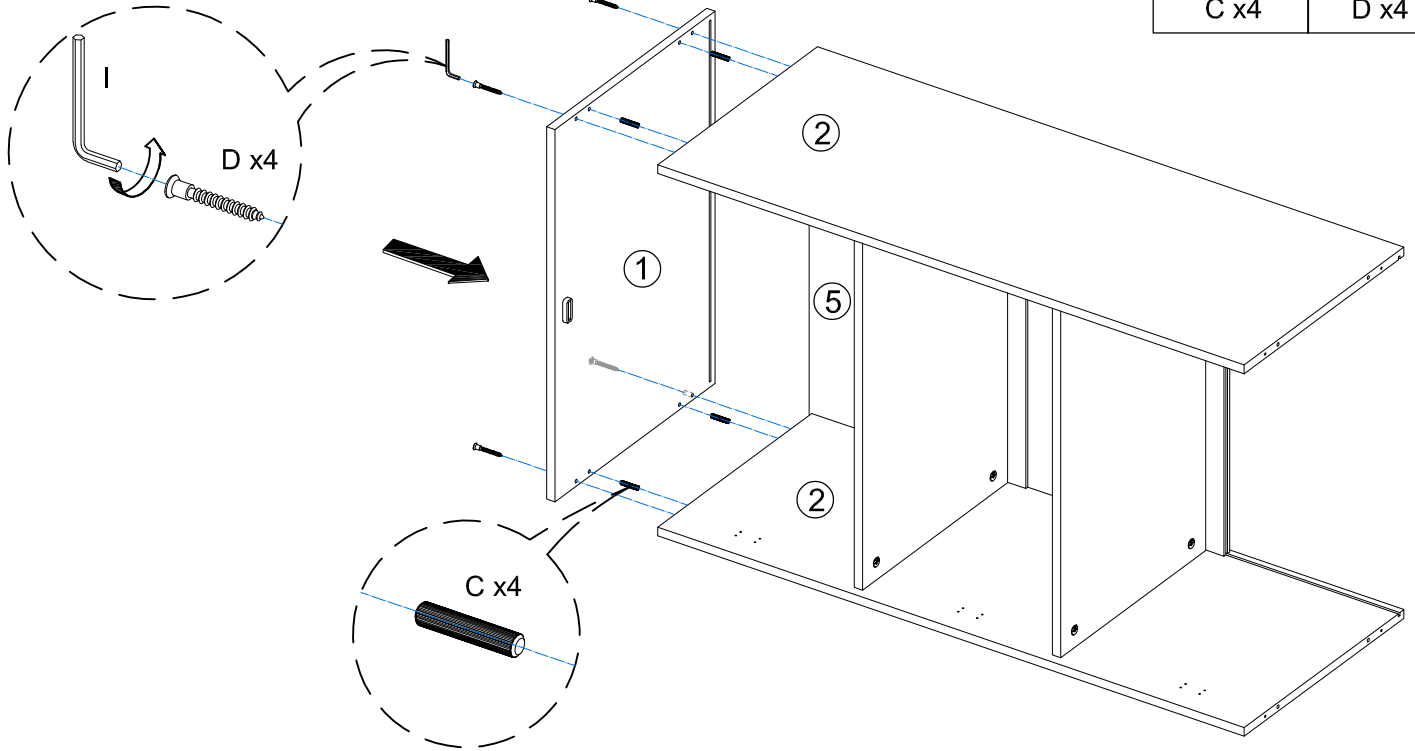
4. Gently turn Cam Lock 180° clockwise to lock into position.

6

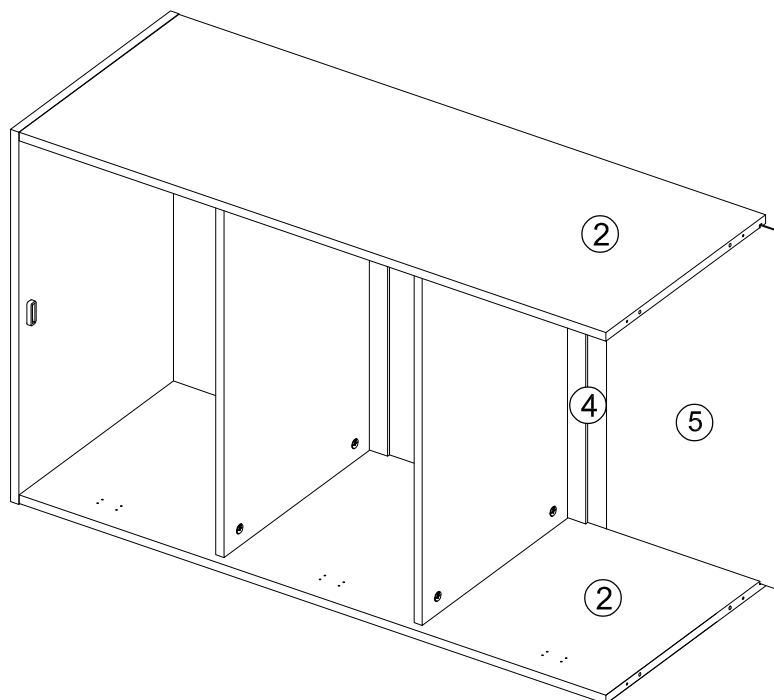
YOU WILL NEED

C x4

D x4



7



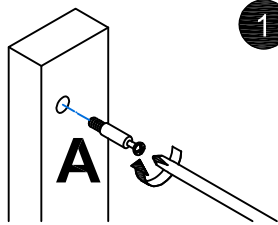
HOW TO



Cam lock

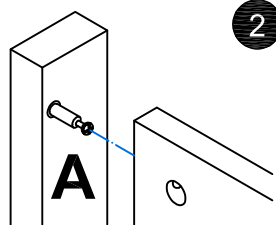


Cam bolt



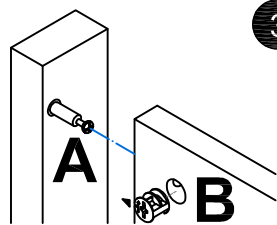
1

1. Screw Cam Bolt into panel



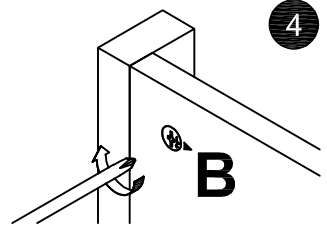
2

2. Insert Cam Bolt into bolt hole of joining panel.



3

3. Insert Cam Lock with arrow facing bolt.



4

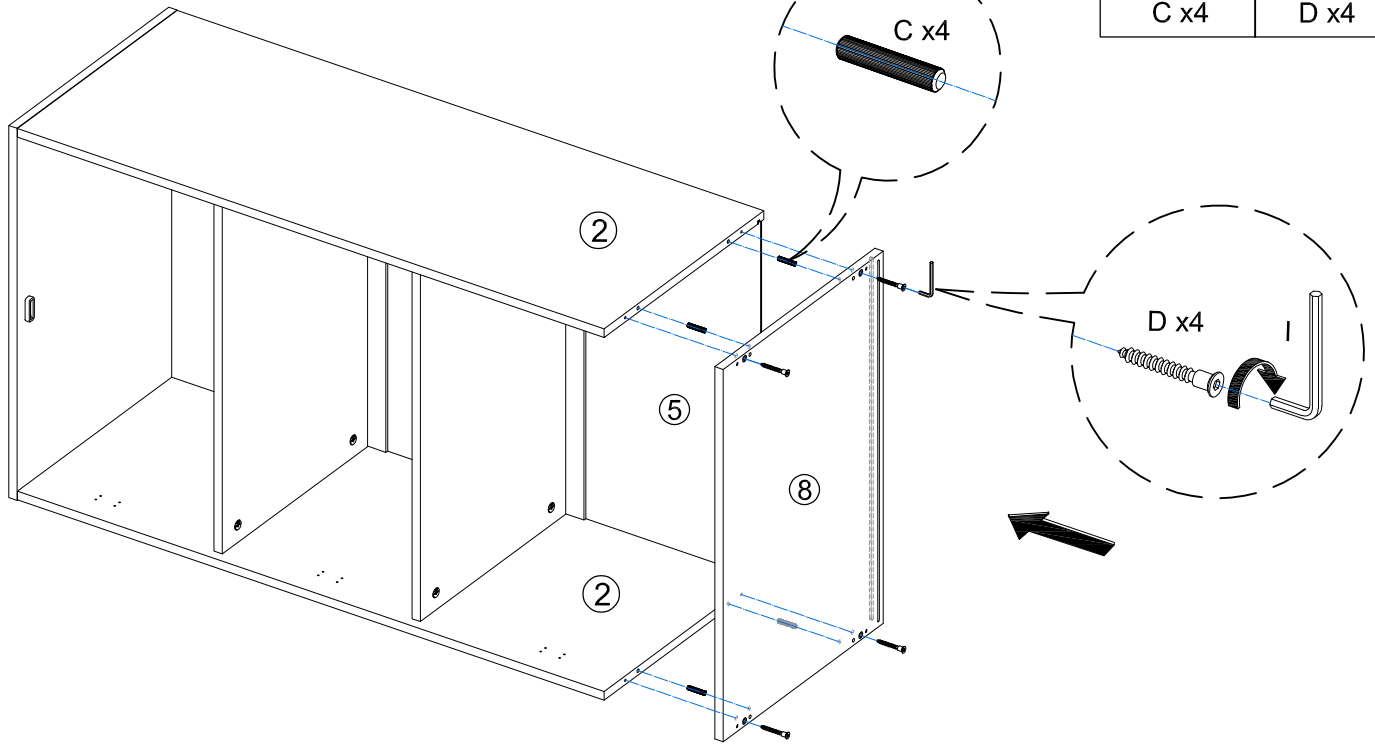
4. Gently turn Cam Lock 180° clockwise to lock into position.

8

YOU WILL NEED

C x4

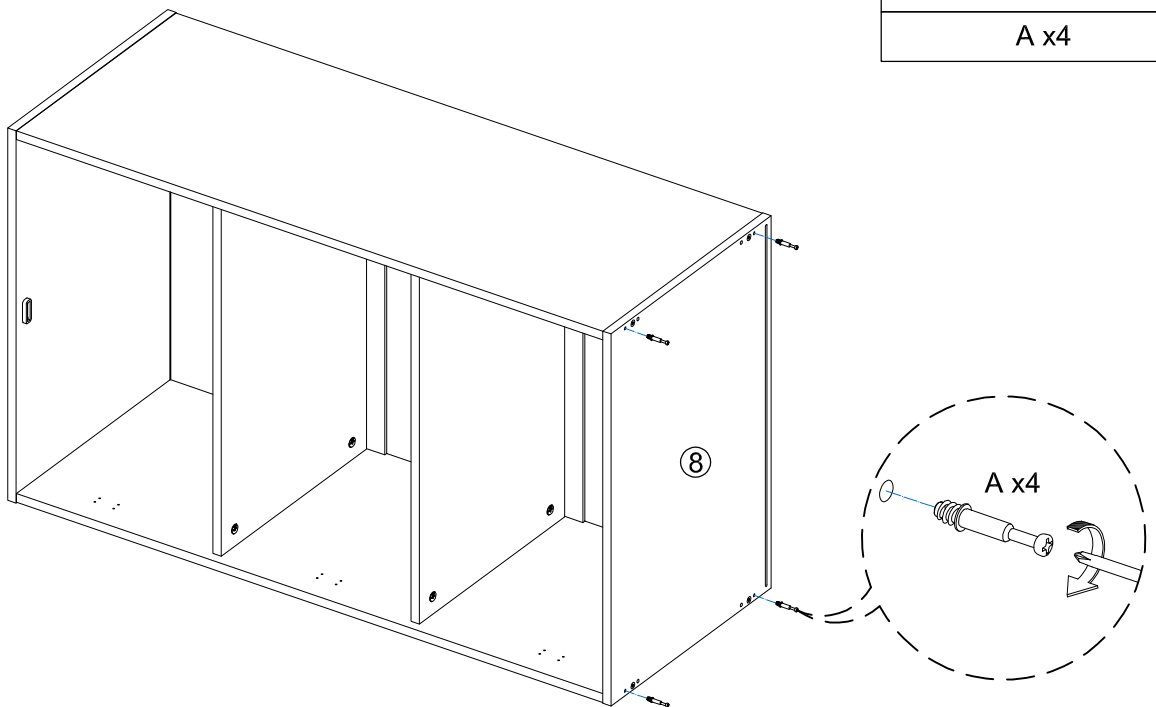
D x4


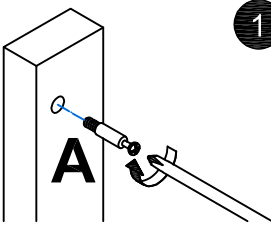
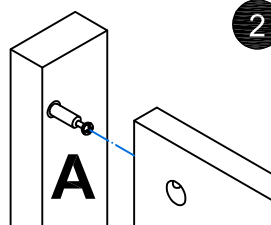
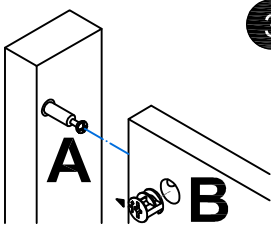
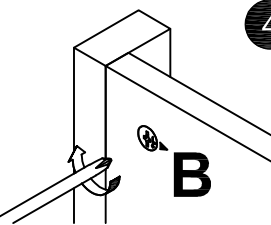


9

YOU WILL NEED

A x4



<p>HOW TO</p>  <p>Cam lock</p> <p>Cam bolt</p>	<p><b>1</b></p>  <p><b>A</b></p> <p>1. Screw Cam Bolt into panel</p>	<p><b>2</b></p>  <p><b>A</b></p> <p>2. Insert Cam Bolt into bolt hole of joining panel.</p>	<p><b>3</b></p>  <p><b>A</b> <b>B</b></p> <p>3. Insert Cam Lock with arrow facing bolt.</p>	<p><b>4</b></p>  <p><b>B</b></p> <p>4. Gently turn Cam Lock 180° clockwise to lock into position.</p>
---------------------------------------------------------------------------------------------------------------------------------	------------------------------------------------------------------------------------------------------------------------------------------------------	-----------------------------------------------------------------------------------------------------------------------------------------------------------------------------	------------------------------------------------------------------------------------------------------------------------------------------------------------------------------	-----------------------------------------------------------------------------------------------------------------------------------------------------------------------------------------

**10**

**YOU WILL NEED**

L2 x 24

L1.(CL) x3	L1.(CR) x3
------------	------------

Front Bottom Back

**CL**

L2 L2 L2 L2

UP

Front Bottom Back

**CR**

L2 L2 L2 L2

UP

Front Bottom Back

**11**

**YOU WILL NEED**

B x6

**B x6**

**4**

**11**

**9**

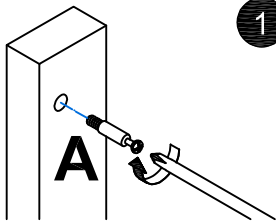
HOW TO



Cam lock

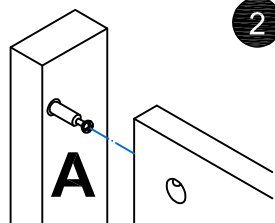


Cam bolt



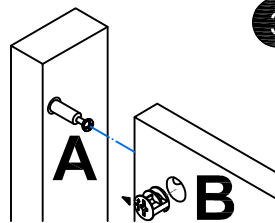
1

1. Screw Cam Bolt into panel



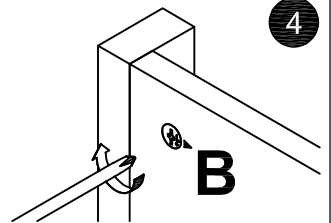
2

2. Insert Cam Bolt into bolt hole of joining panel.



3

3. Insert Cam Lock with arrow facing bolt.



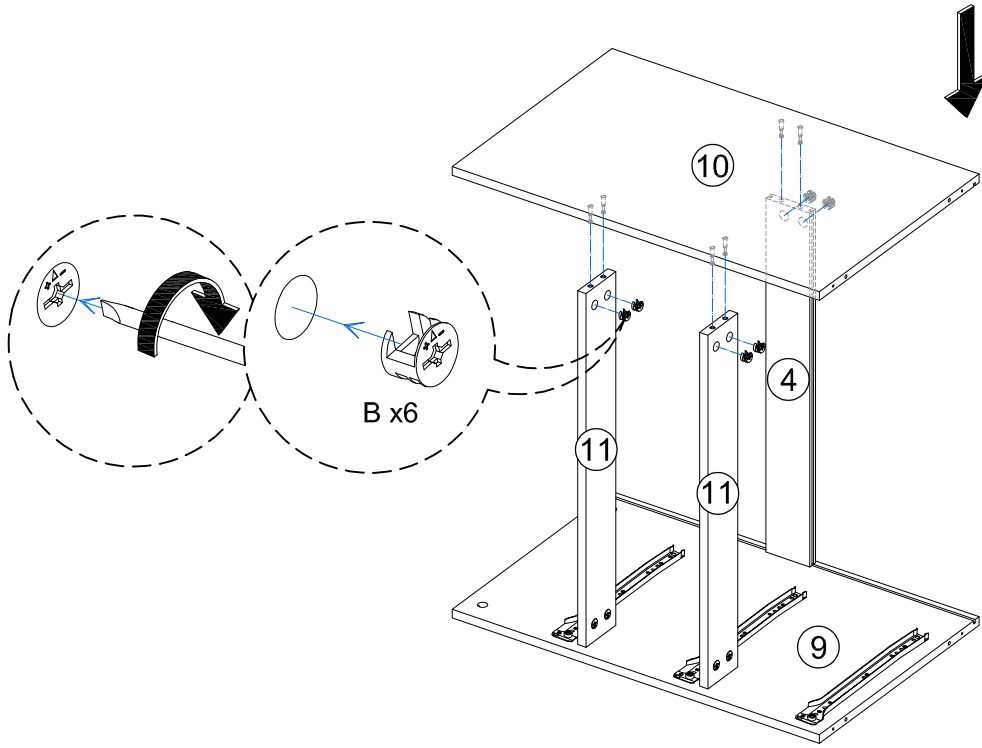
4

4. Gently turn Cam Lock 180° clockwise to lock into position.

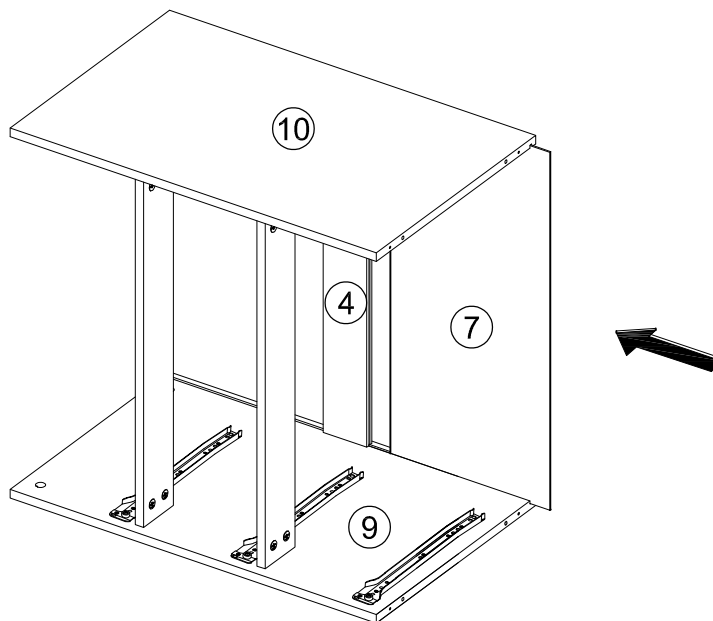
12

**YOU WILL NEED**

B x6



13

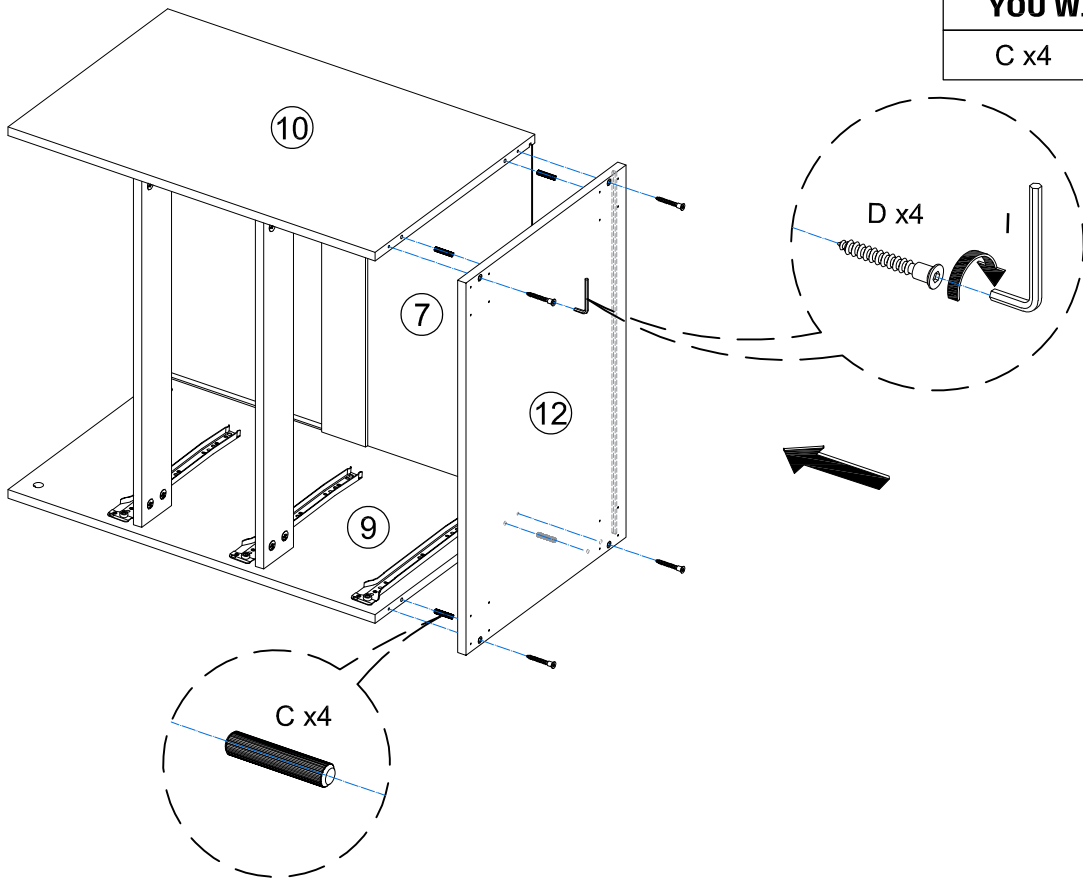


14

**YOU WILL NEED**

C x4

D x4

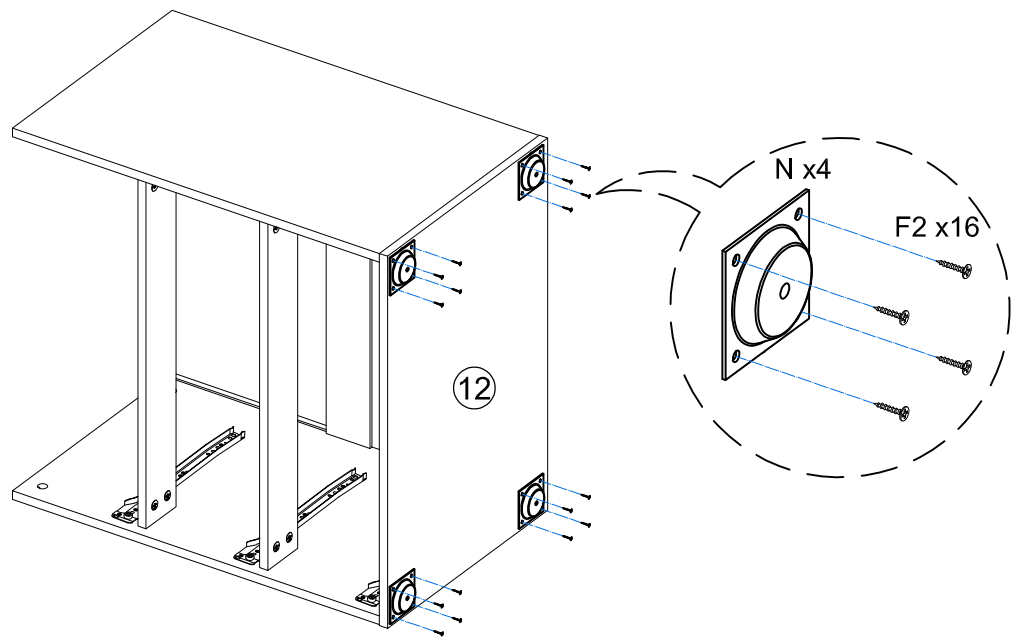


15

**YOU WILL NEED**

F2 x16

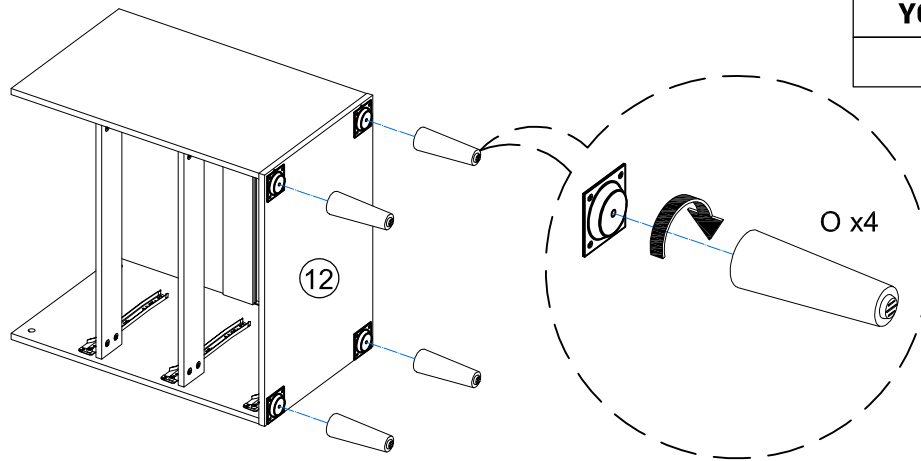
N x4



16

**YOU WILL NEED**

O x4



HOW TO



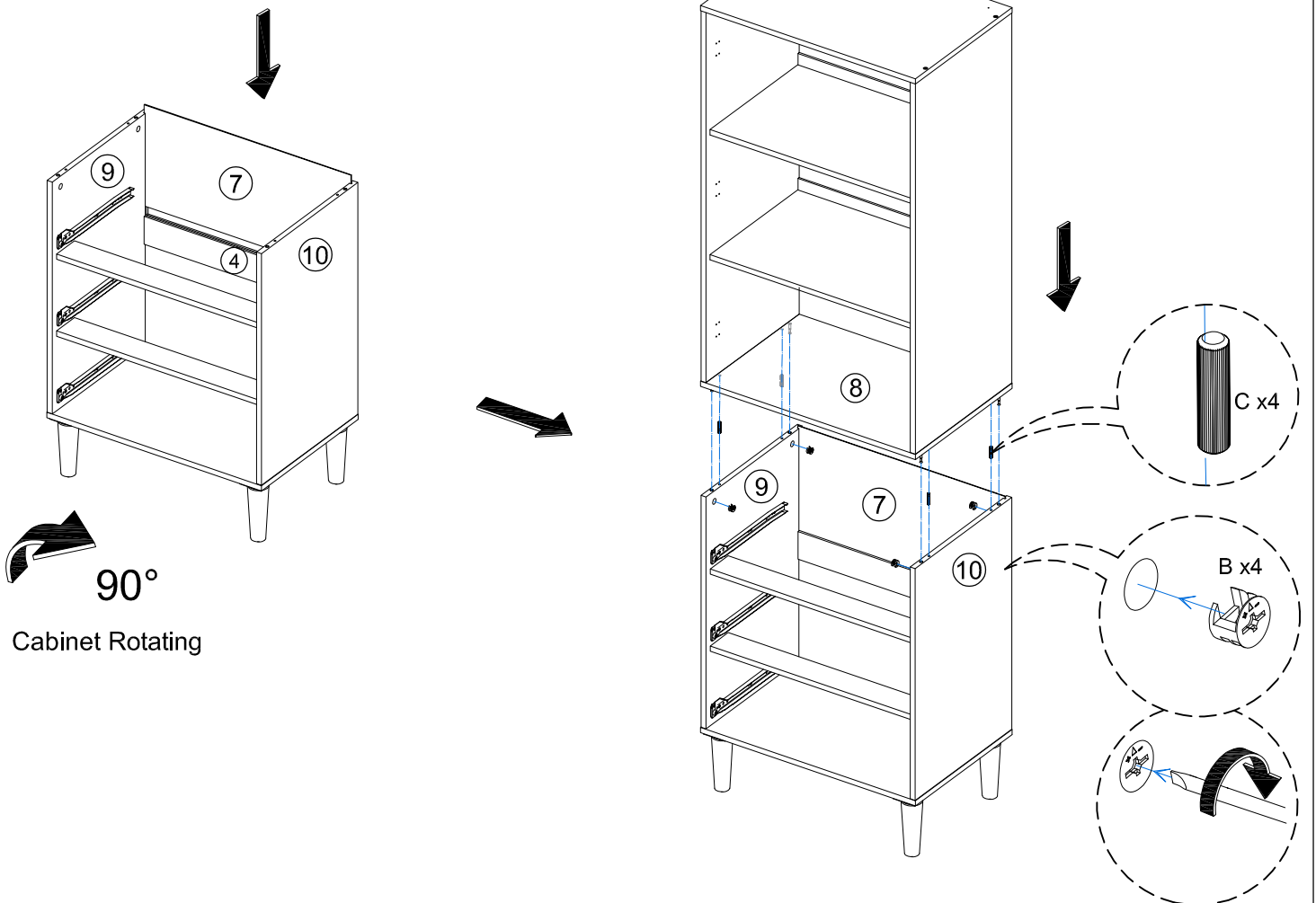
- |                                     |                                                            |                                                   |                                                                      |
|-------------------------------------|------------------------------------------------------------|---------------------------------------------------|----------------------------------------------------------------------|
|                                     |                                                            |                                                   |                                                                      |
| <p>1. Screw Cam Bolt into panel</p> | <p>2. Insert Cam Bolt into bolt hole of joining panel.</p> | <p>3. Insert Cam Lock with arrow facing bolt.</p> | <p>4. Gently turn Cam Lock 180° clockwise to lock into position.</p> |

17

**YOU WILL NEED**

B x4

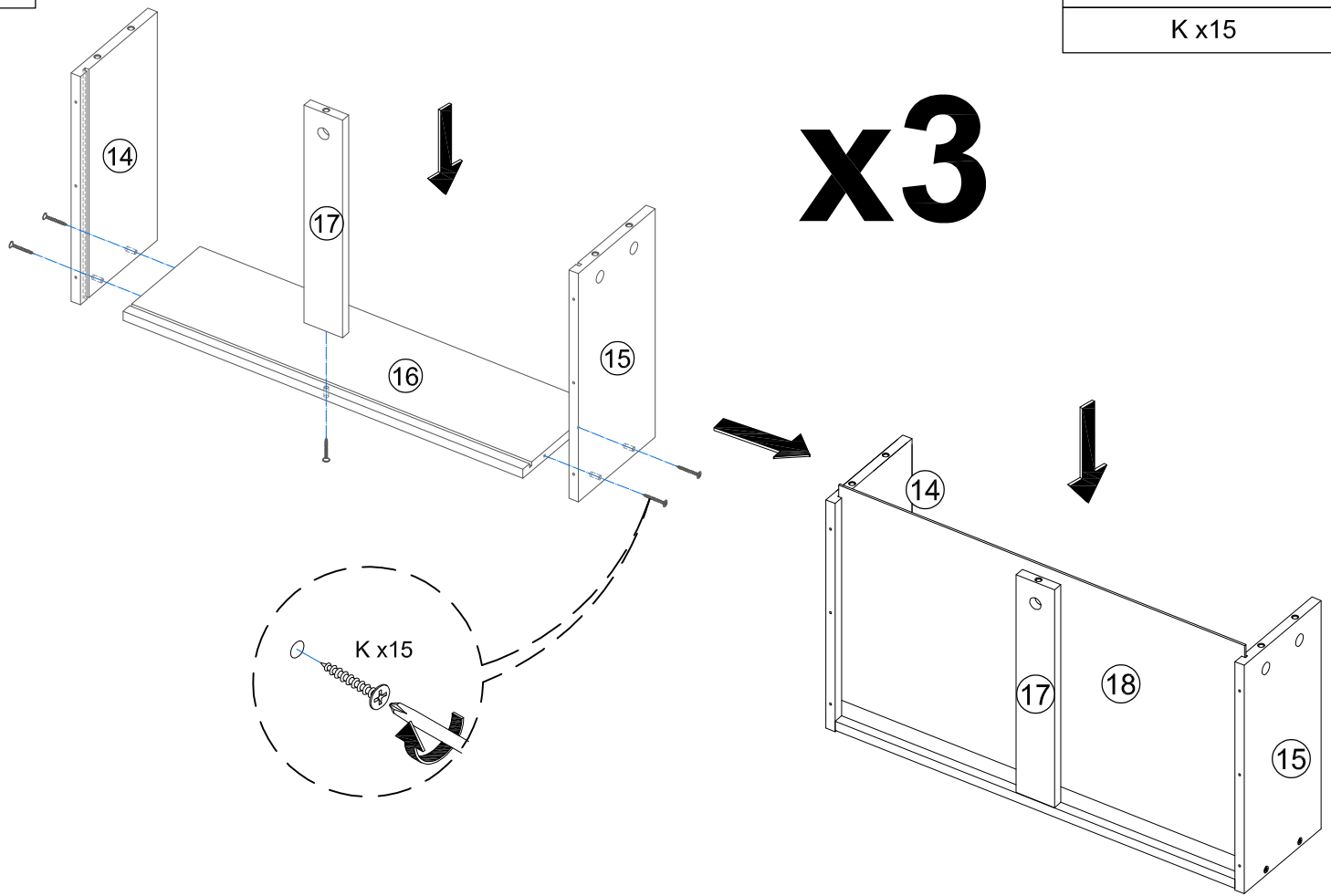
C x4



18

YOU WILL NEED

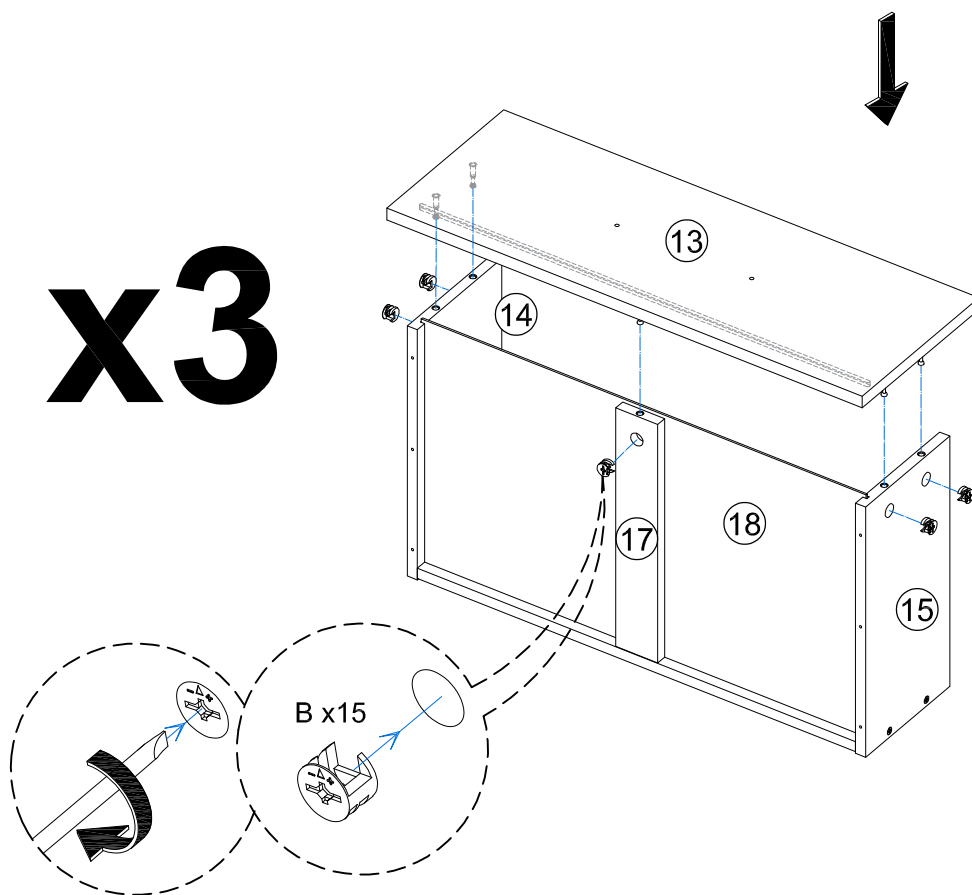
K x15



19

YOU WILL NEED

B x15

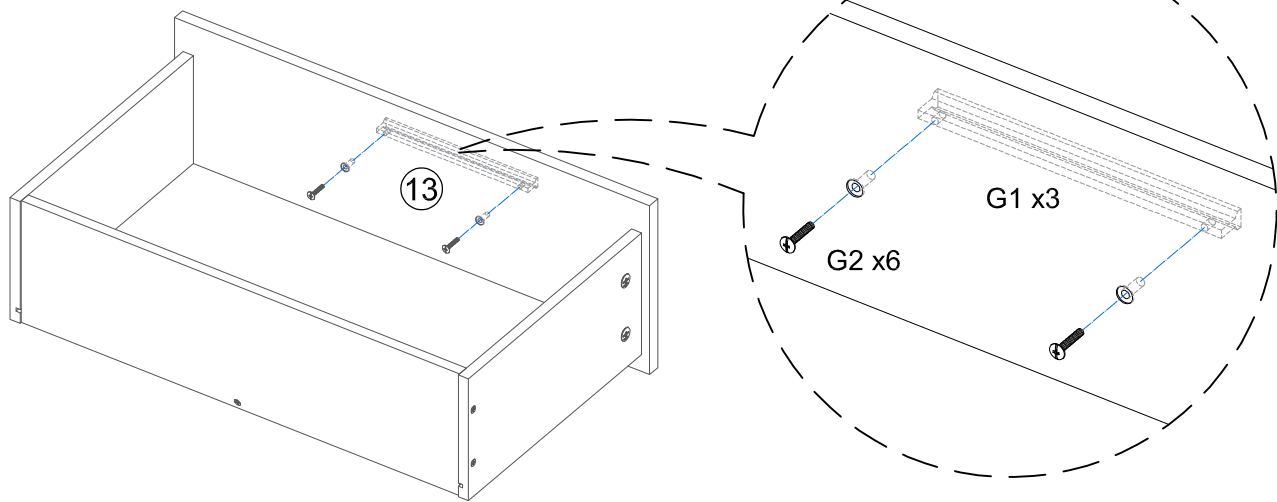


20

**YOU WILL NEED**

G1 x3

G2 x6

**x3**

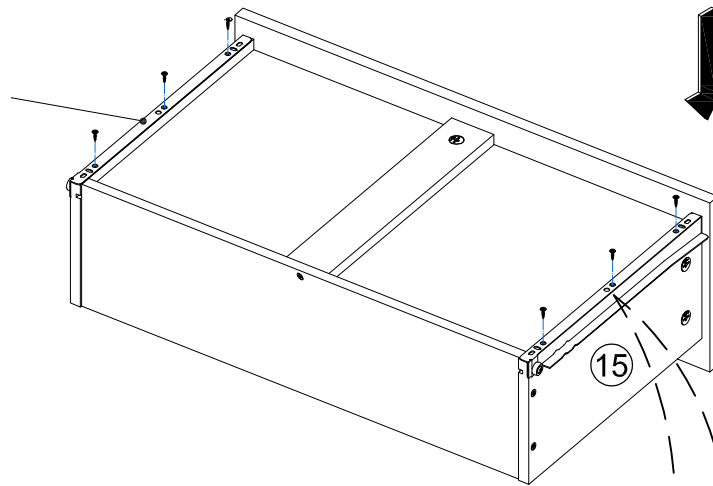
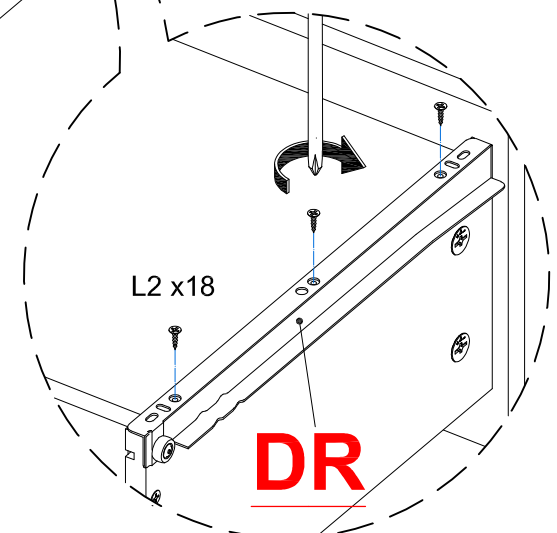
21

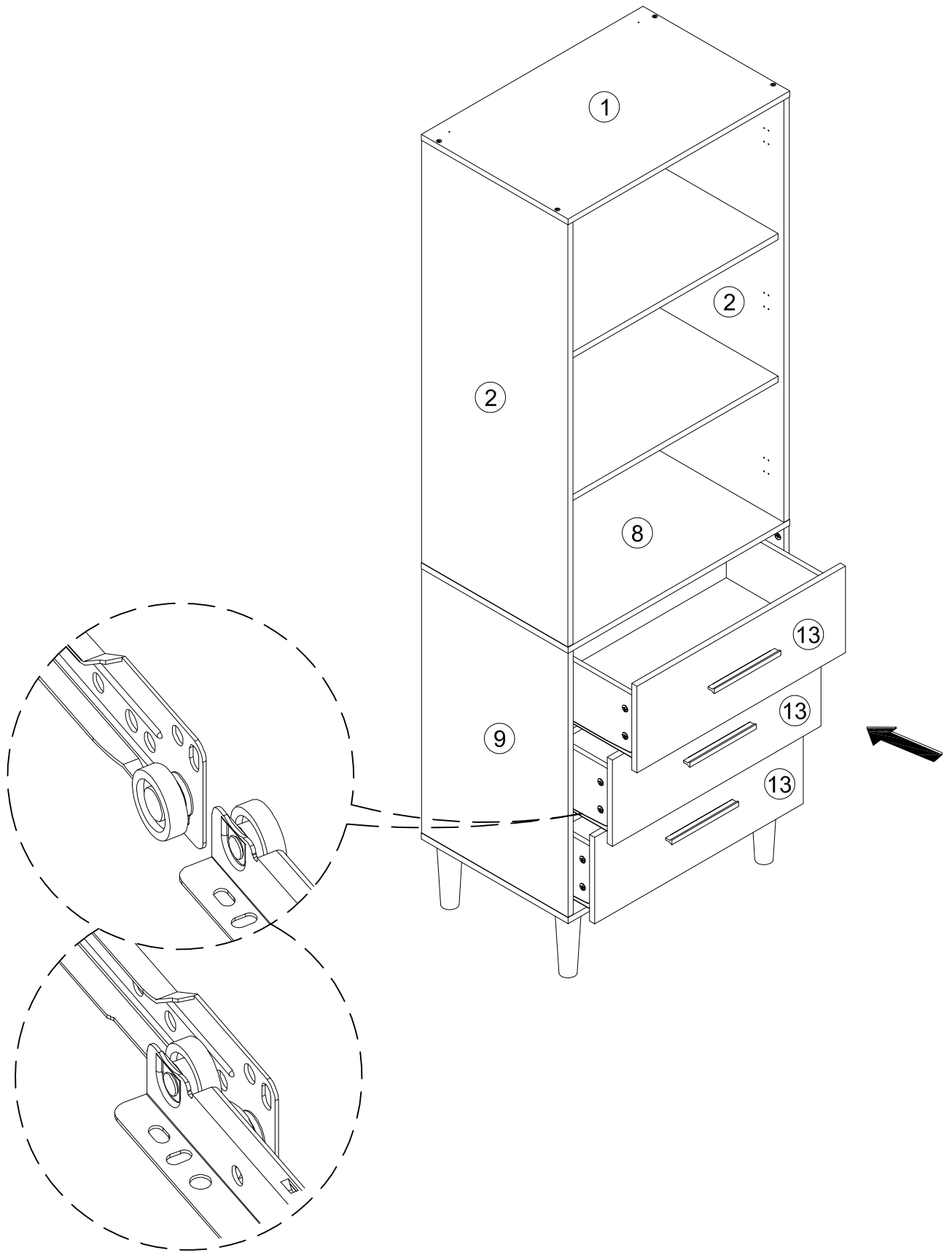
**YOU WILL NEED**

L2 x 18

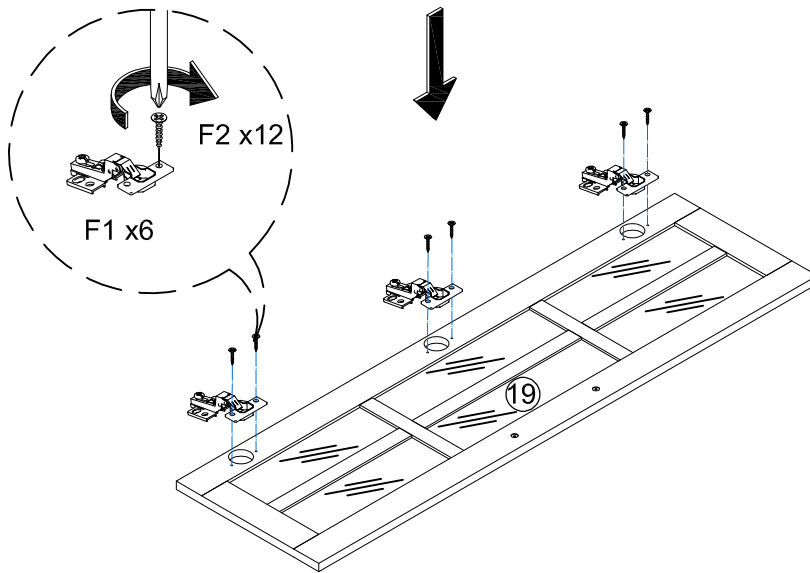
L1.(DL) x3

L1.(DR) x3

**DL****x3**



23



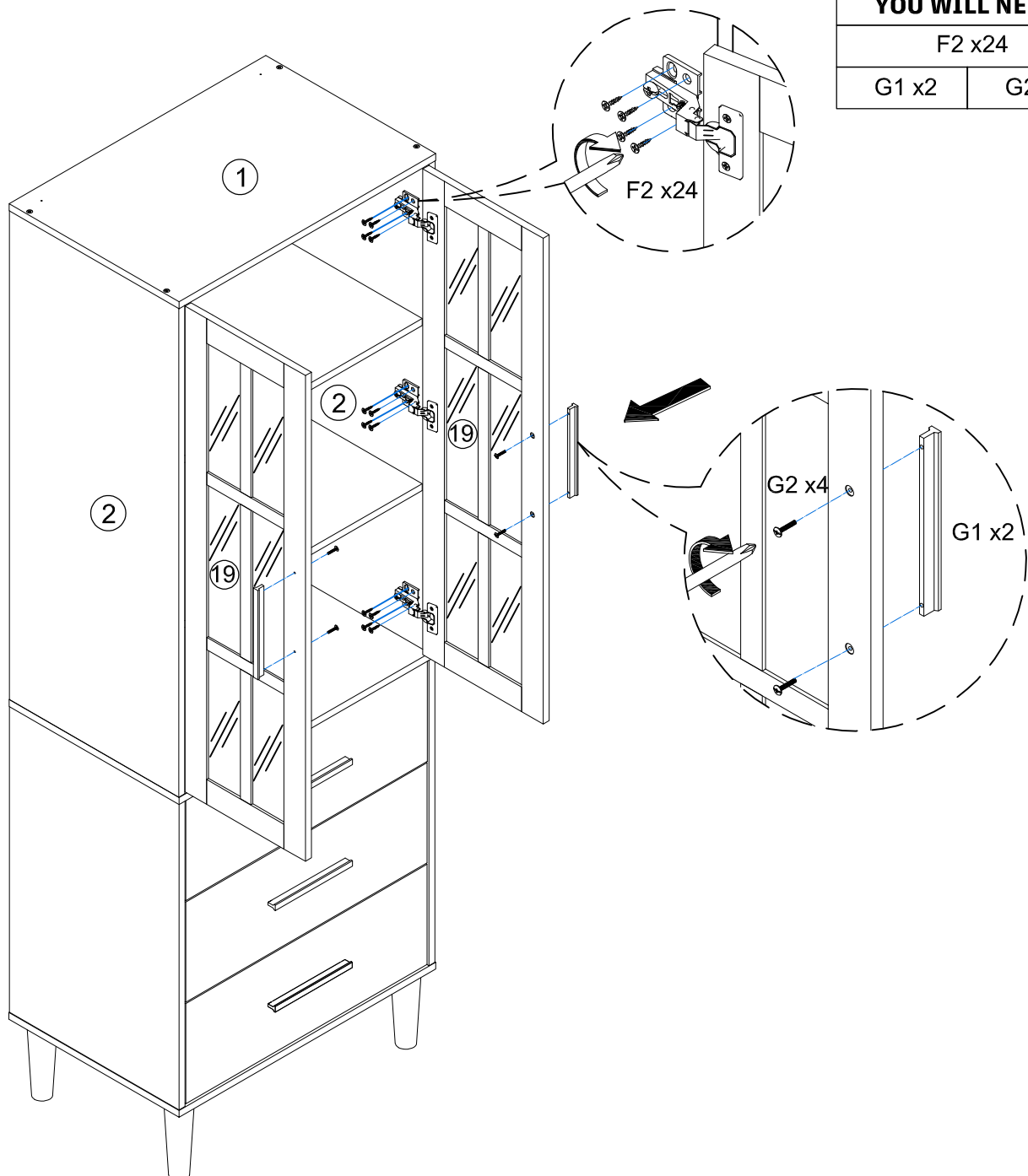
**YOU WILL NEED**

F1 x6

F2 x12

**x2**

24



**YOU WILL NEED**

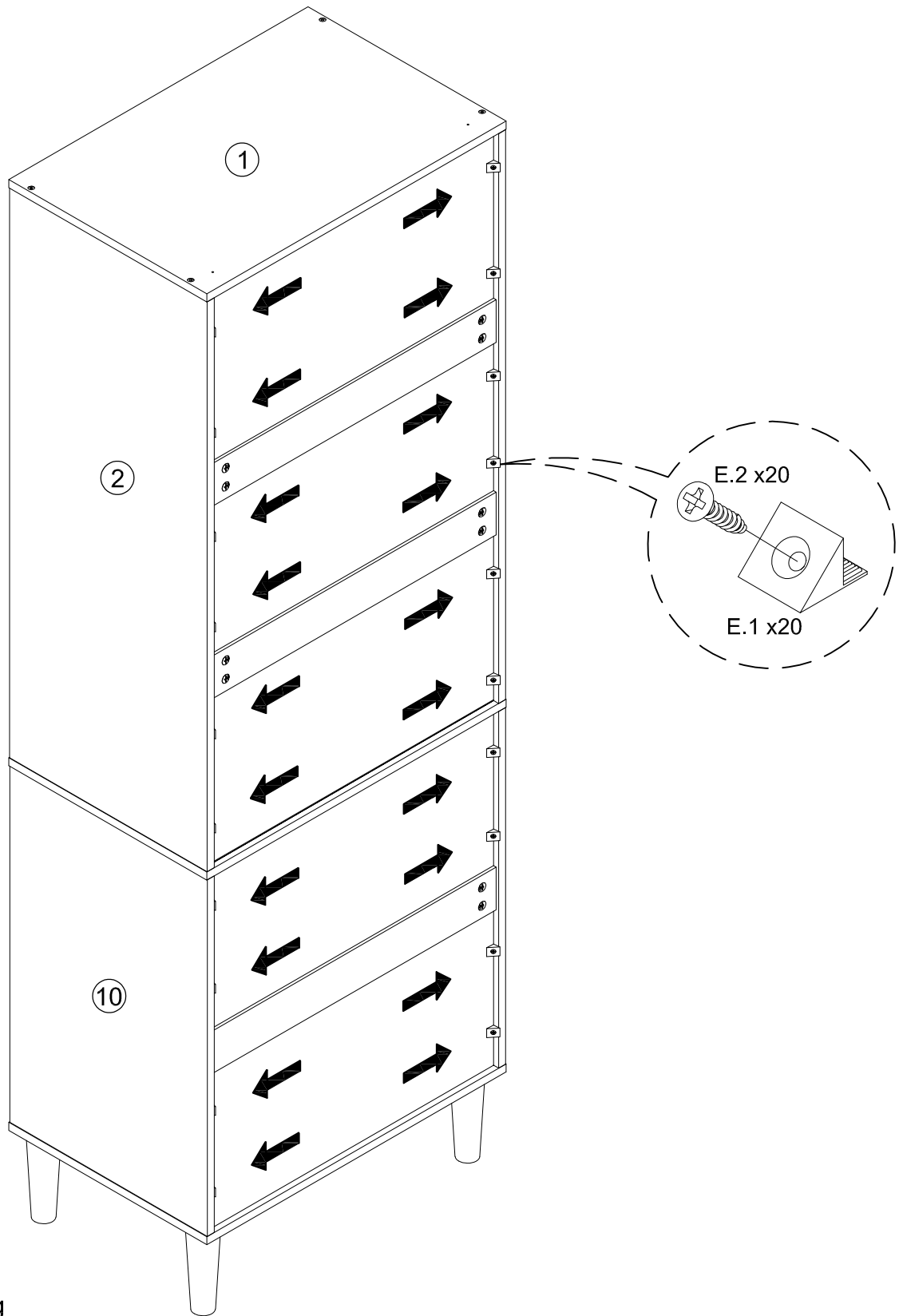
F2 x24

G1 x2

G2 x4

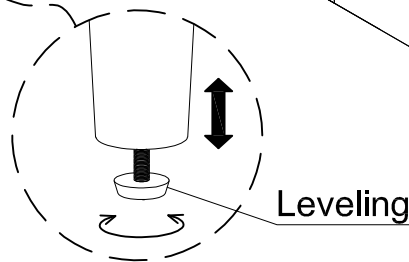
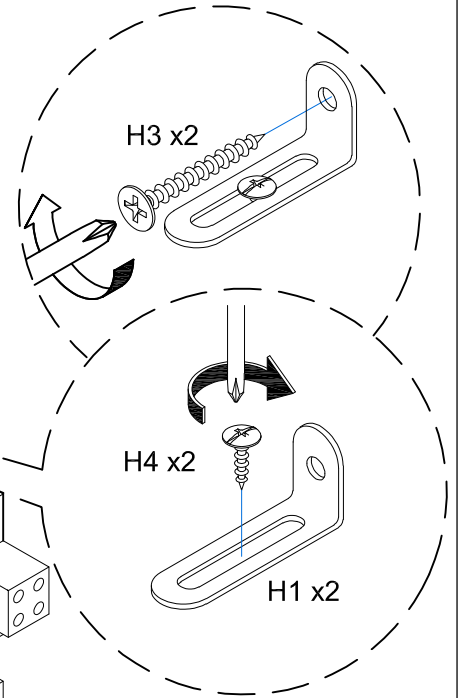
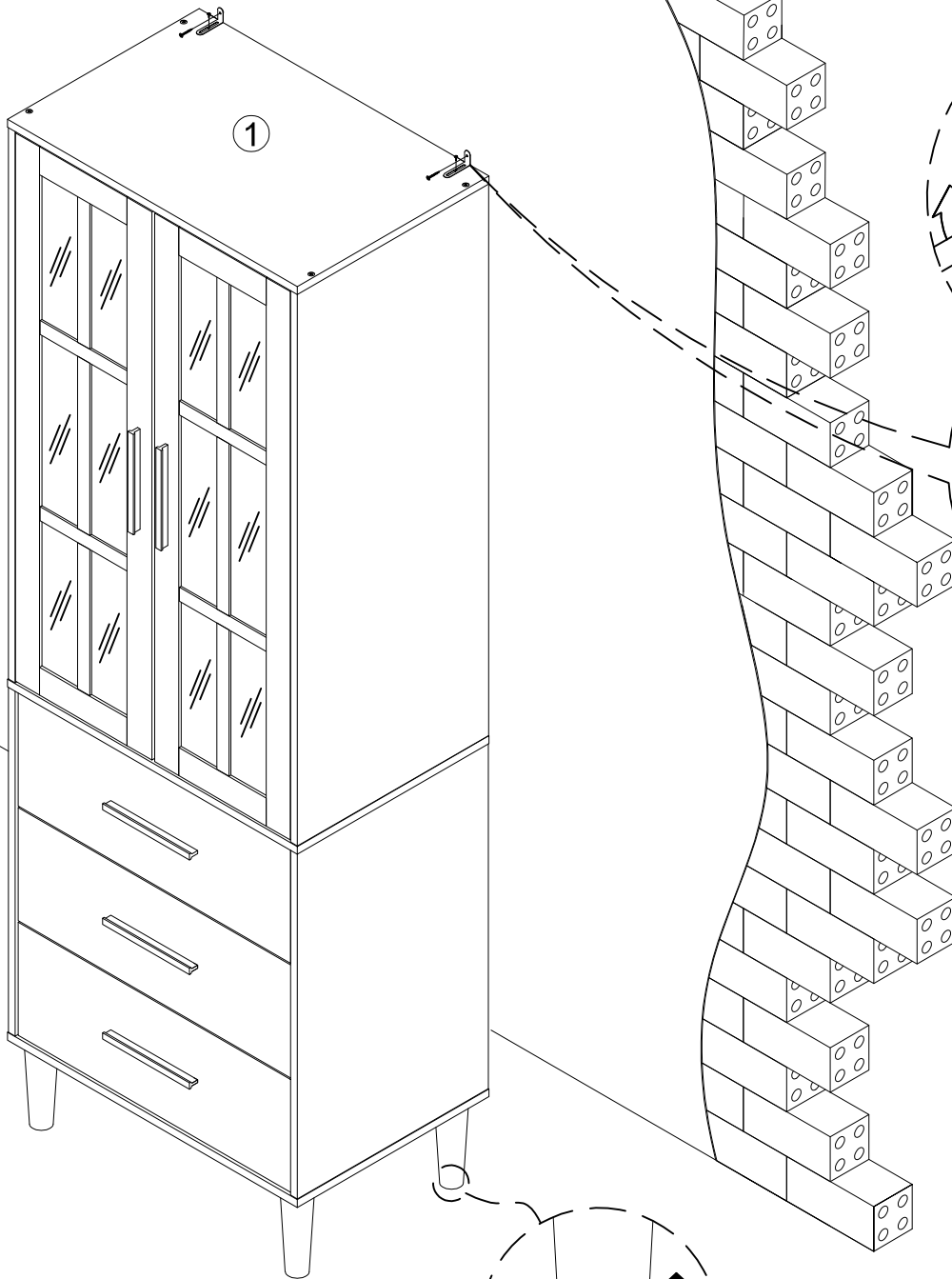
E1 x20

E2 x20



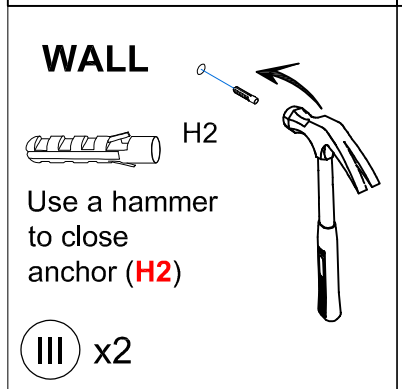
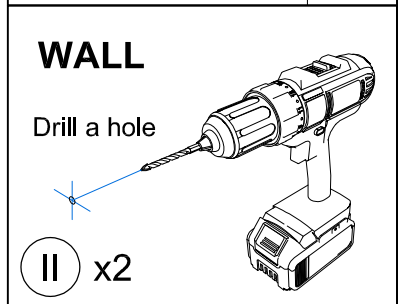
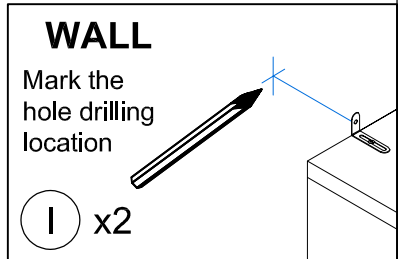
**YOU WILL NEED**

H1 x2	H2 x2
H3 x2	H4 x2

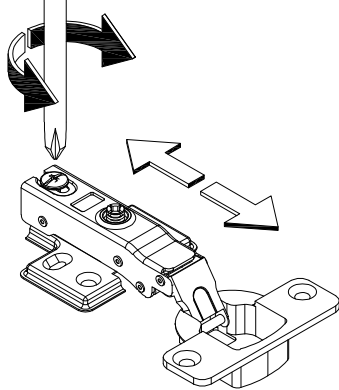
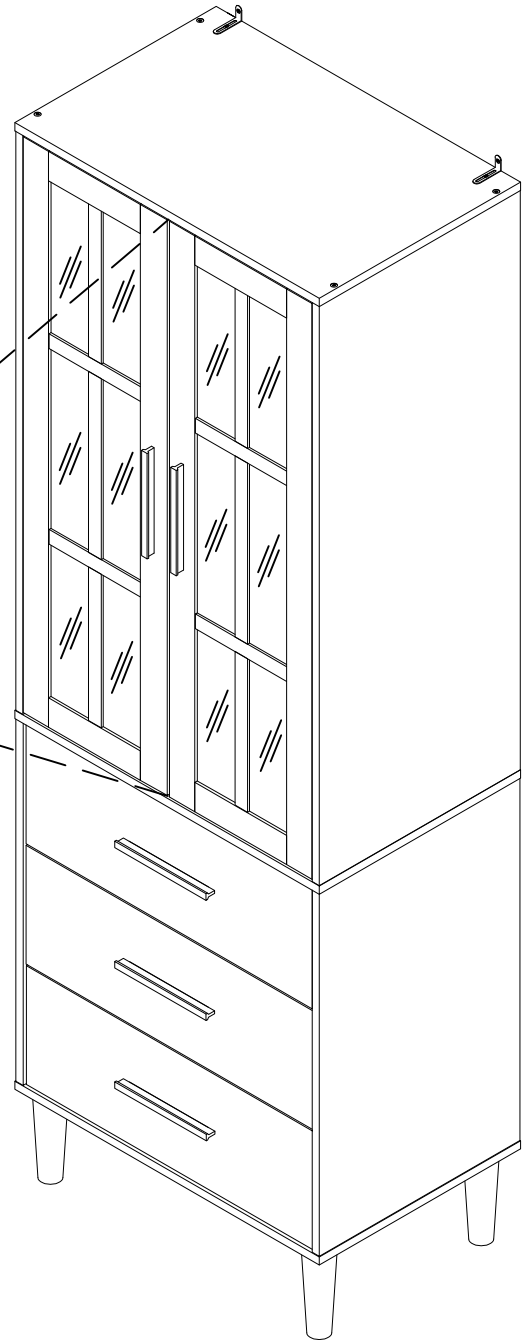
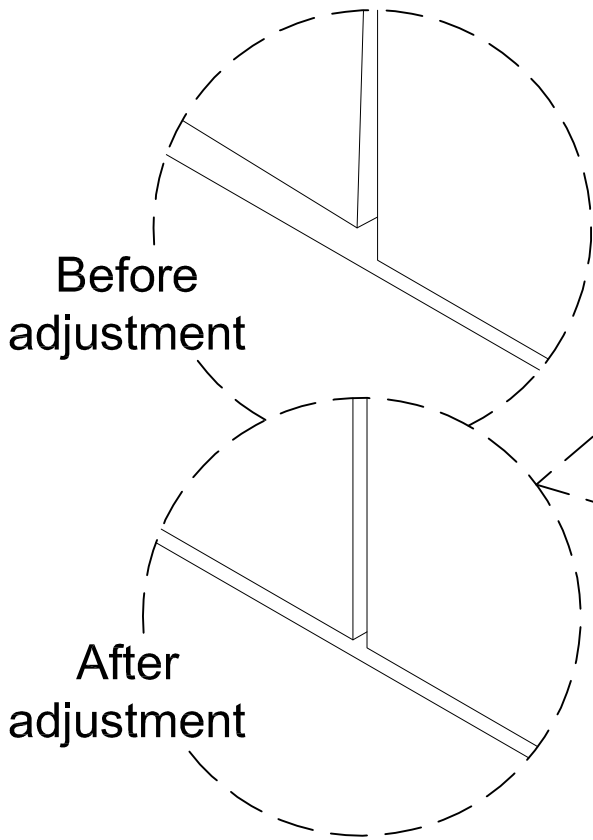


If the unit is placed on an unlevel surface.  
adjust leveler under foot until the unit is level.

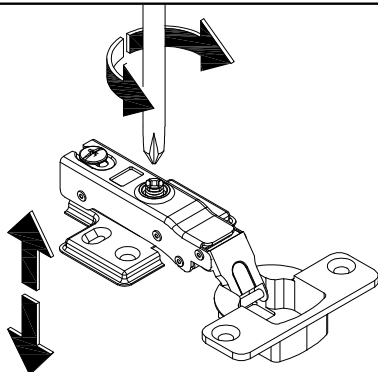
- Step1: determine the location of the anti-overturning on the wall and then mark the position after confirming the product has been balanced.
- Step 2: drill the hole and then fixed the anchor (**H2**) on the wall
- Step 3: use screw (**H3**) to fix (**H1**) on the wall



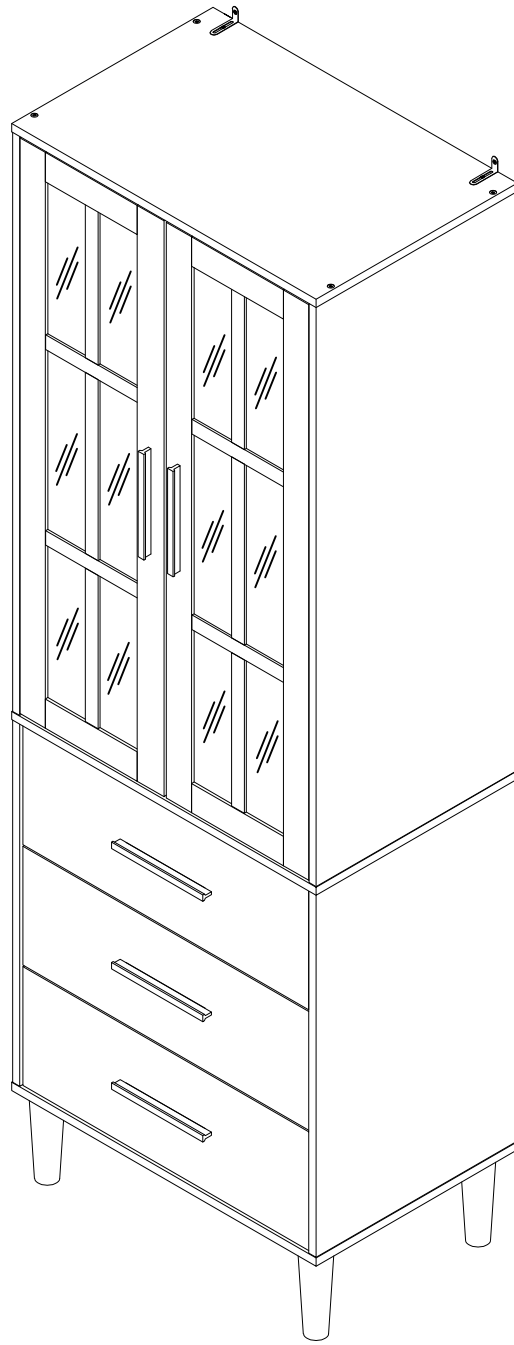
**\*IF THE DOOR ARE NOT BALANCE**



Adjust the door  
running back  
and front



Adjust the  
door left  
and right



## GUARANTEE

Storage cabinet offers a **90-days** warranty that begins on the date of the original purchase and applies to problems caused by the manufacturer. For questions, assistance, or support, please contact the Customer Service by e-mail with your order number and details. We will send you further information about the solution.

**Model: SLJ-002**

**Made in VIETNAM**

