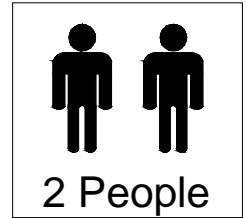
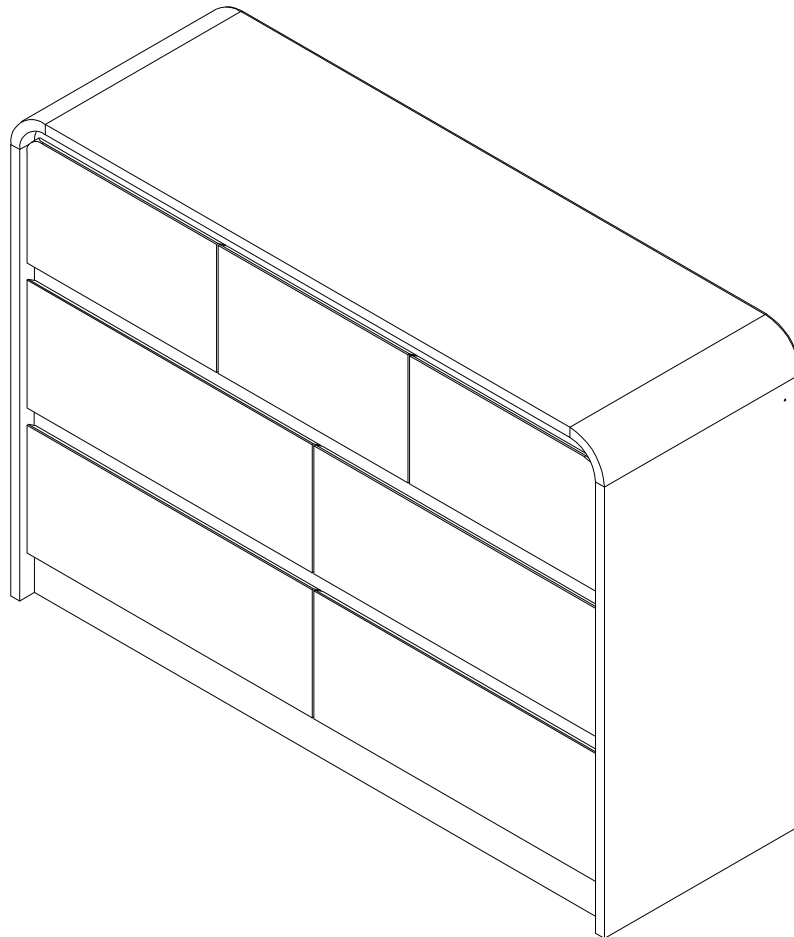


# ASSEMBLY INSTRUCTIONS

## ITEM:LDQMFJ7D

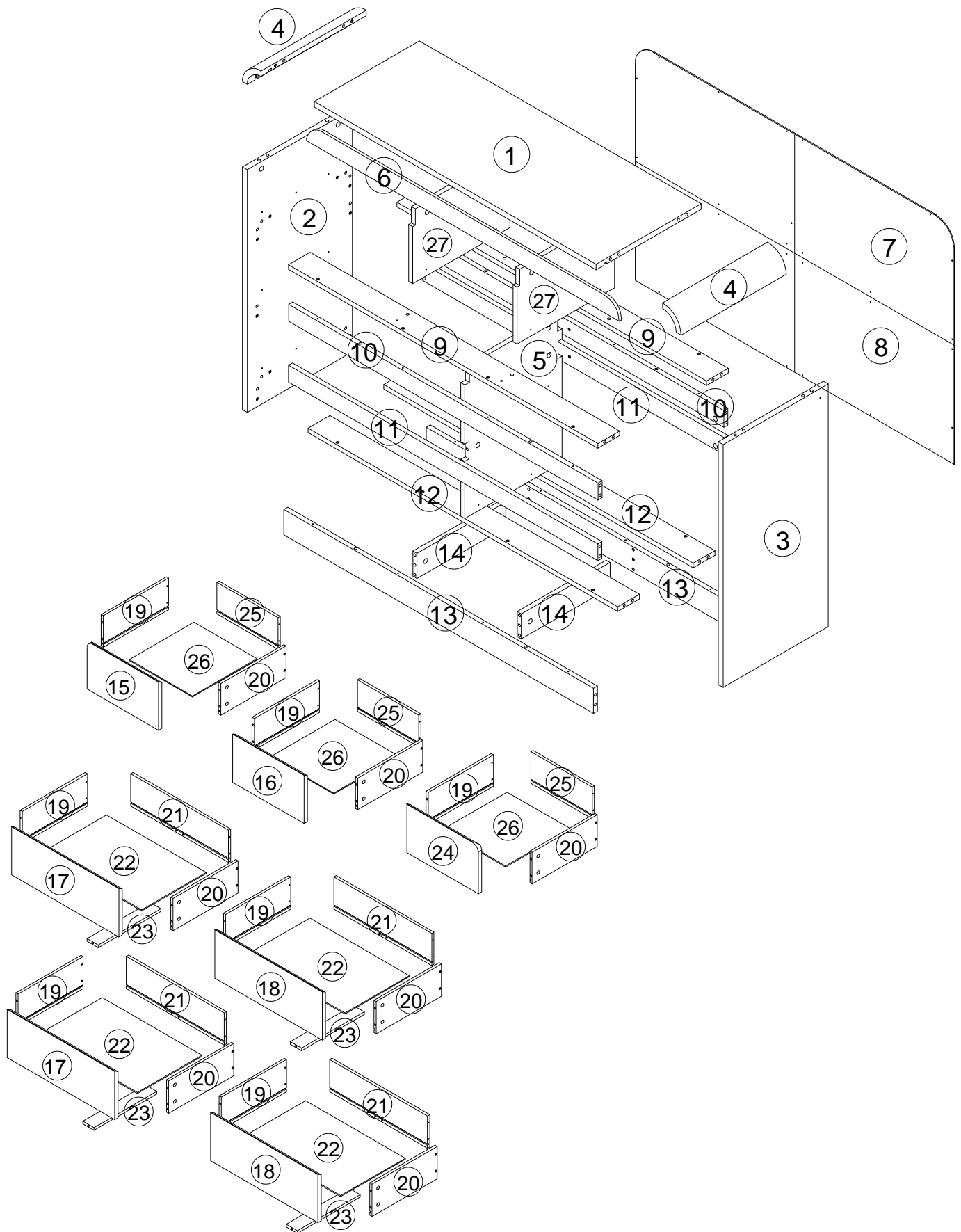


Please scan this QR code and contact us if you have any questions! If your products has damages, missing parts, problems with installation and use, or you are not 100% satisfied with our products, please scan the QR code and contact us!

LDQMFJ7D

**Email:[vimity-service@outlook.com](mailto:vimity-service@outlook.com)**

---


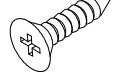
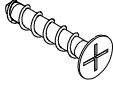

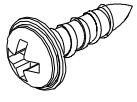
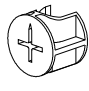
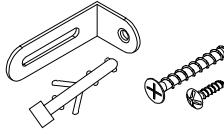
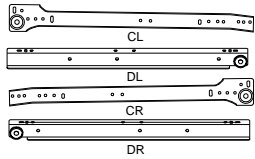
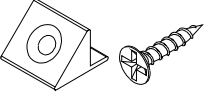


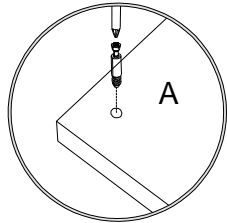
**LDQMFJ7D-BK/BR/NA/WH-N-A**

<b>CODE</b>	<b>DESCRIPTION</b>	<b>QTY</b>
1	Top Panel	1
2	Left Side Panel	1
3	Right Side Panel	1
4	Bent Wood Board	2
6	Upper Front Strip	1
7	Upper Back Panel	1
8	Lower Back Panel	1
9	Front Crosspiece	2
10	Front vertical panel 1	2
11	Front vertical panel 2	2
12	Bottom Crosspiece	2
13	Bottom Vertical Panel	2
14	Bottom Supported Panel	2
19	Drawer Left Side Panel	7
20	Drawer Right Side Panel	7
22	Lower Drawer Bottom Panel	4
26	Upper Drawer Bottom Panel	3

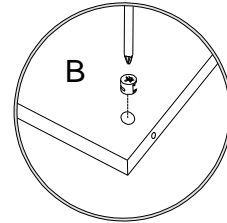
**LDQMFJ7D-BK/BR/NA/WH-N-B**

<b>CODE</b>	<b>DESCRIPTION</b>	<b>QTY</b>
5	Lower Middle Vertical Panel	1
15	Upper Left Drawer Top Panel	1
16	Upper Middle Drawer Top Panel	1
17	Lower Left Drawer Top Panel	2
18	Lower Right Drawer Top Panel	2
21	Lower Drawer Back Panel	4
23	Drawer Bottom Strip	4
24	Upper Right Drawer Top Panel	1
25	Upper Drawer Back Panel	3
27	Upper Middle Vertical Panel	2

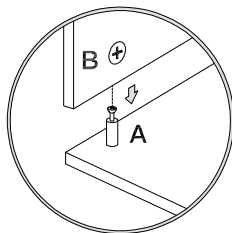
<p>Ø8X30MM</p>  <p><b>A</b> 54X+2</p>	<p>Ø3X12MM</p>  <p><b>B</b> 84X+2</p>	<p>Ø4X35MM</p>  <p><b>C</b> 58X+2</p>	 <p><b>D</b> 72X+2</p>
<p>Ø3.5X12MM</p>  <p><b>F</b> 28X+2</p>	<p>Ø15X10MM</p>  <p><b>G</b> 72X+2</p>	 <p><b>H</b> 2X</p>	 <p><b>L</b> 7X</p>
 <p><b>M</b> 2X</p>			



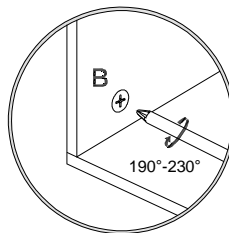
1. Screw cam bolt into panel



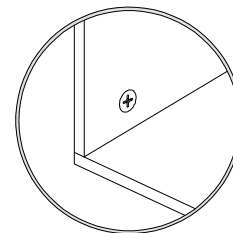
2. Push cam into panel - arrow feature on cam top points to panel edge



3. Align cam bolt(s) with cam(s) and insert all the way into cross-bored hole(s)

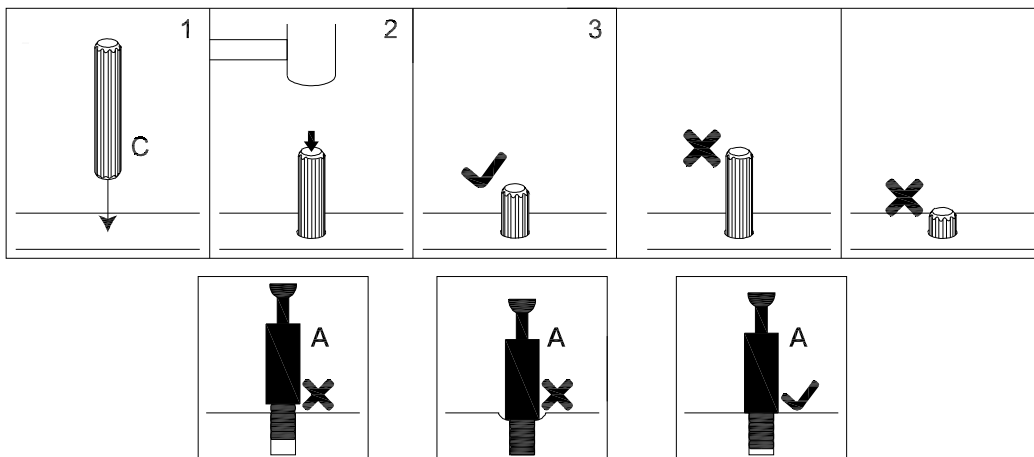


4. Rotate cam(s) clockwise 190°-230° to lock panels together



5. Panels should be tight against each other and connection should be rigid

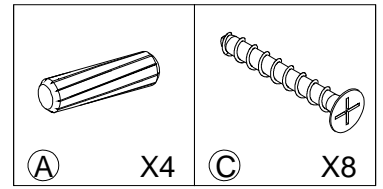
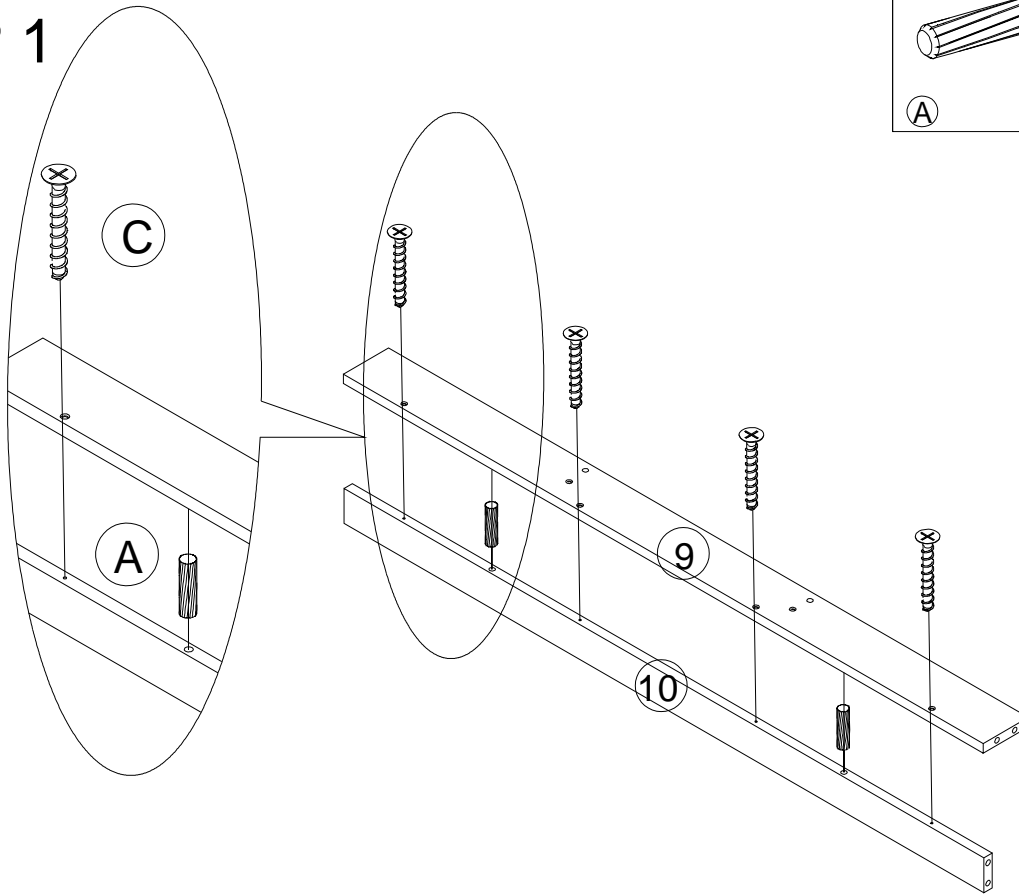
Insert the wood dowel [C] at least half way by tapping lightly with a rubber mallet, IF NECESSARY.



### ⚠ WARNING

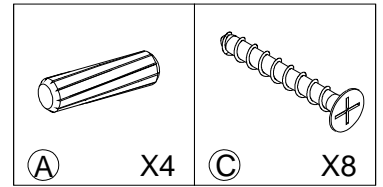
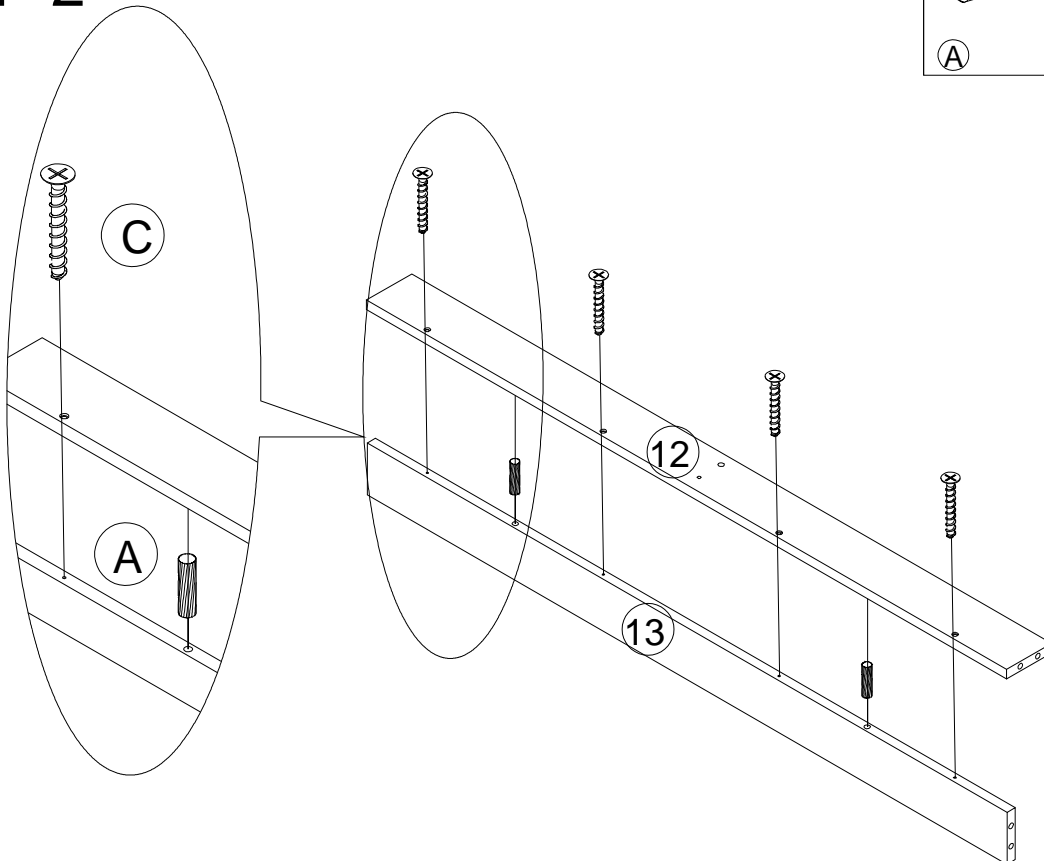
- Unit must be placed on a level surface or leveled with included hardware (when applicable).
- Do not sit or stand on or allow children to climb, sit or stand on the assembled product.
- For safety reasons, it is imperative that this unit be mounted to the wall.
- Do not use without installing the tip restraint.
- Unit can tip over causing severe injury or death.
- Do not exceed the recommended weight limits.
- Evenly distribute the weight on each level and always keep the heavier loads on the bottom.
- Before cutting, drilling or hammering into any wall or floor surface, verify the location of electrical, plumbing and gas lines. Cutting may cause serious injury.

# STEP 1



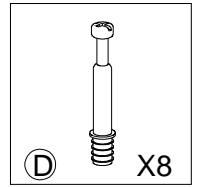
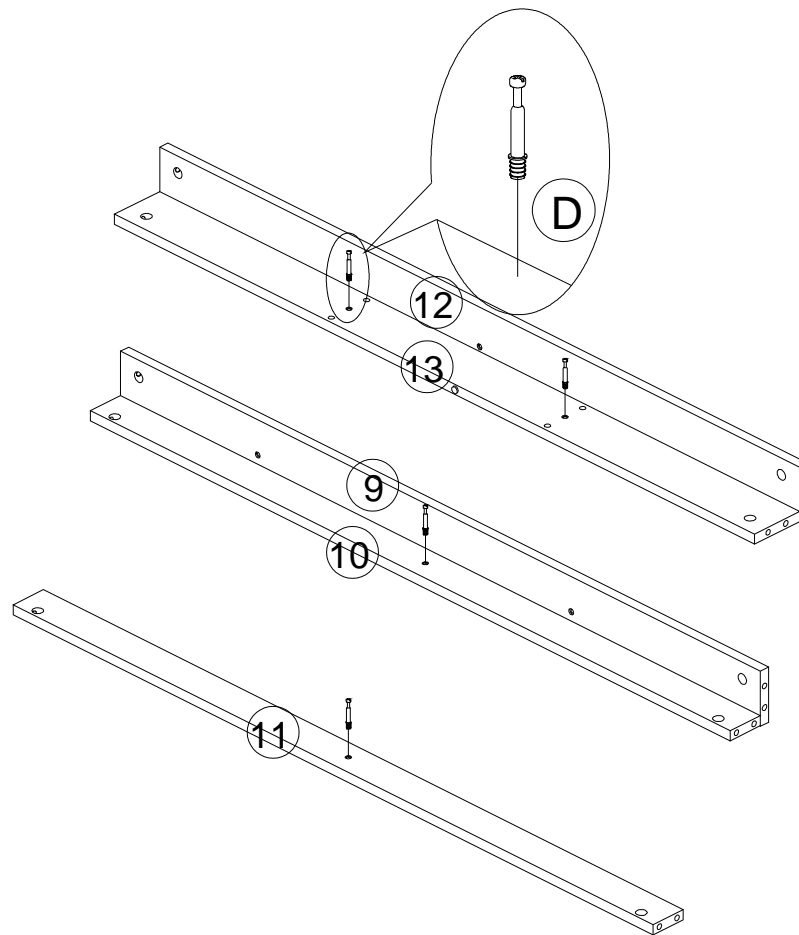
X2

# STEP 2



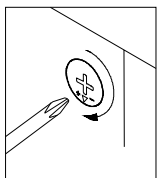
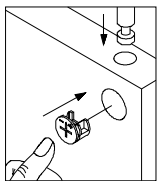
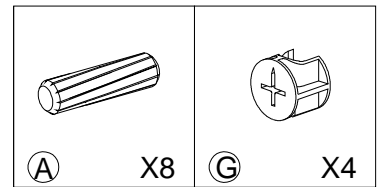
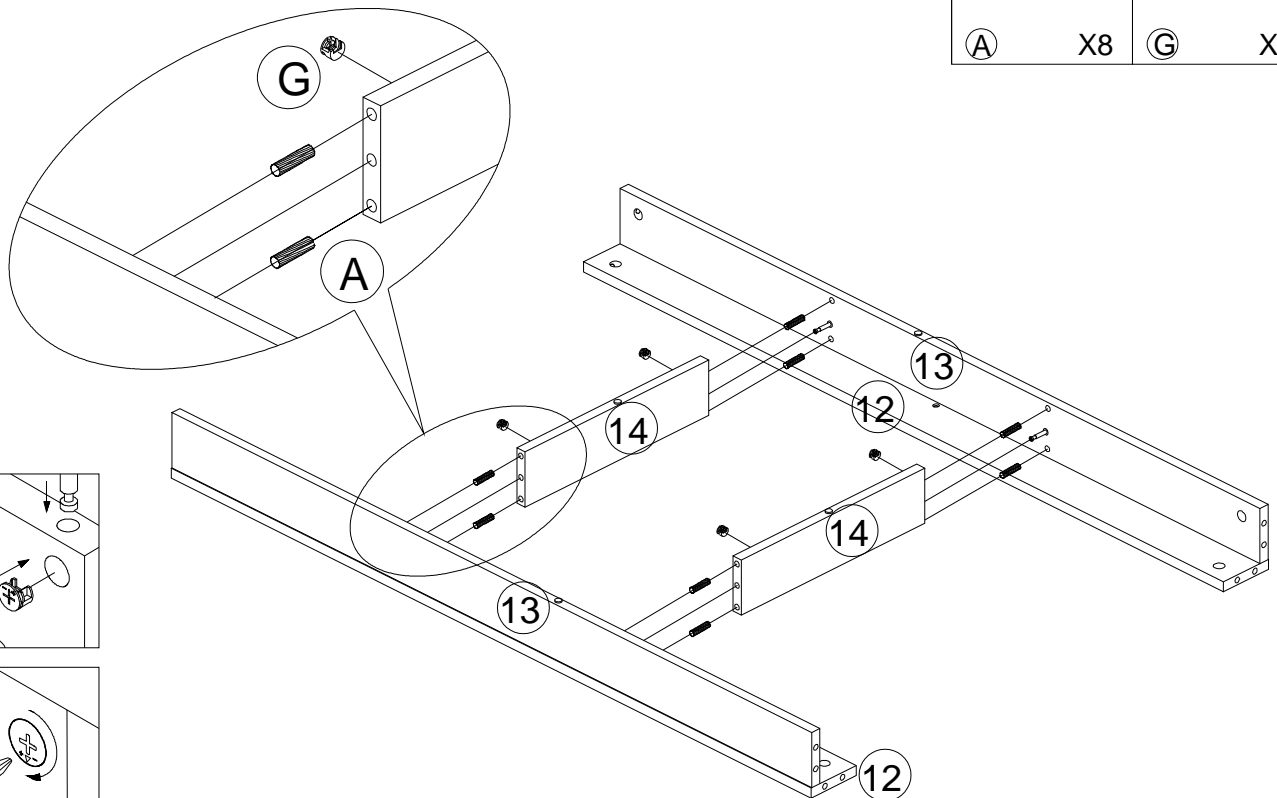
X2

# STEP 3

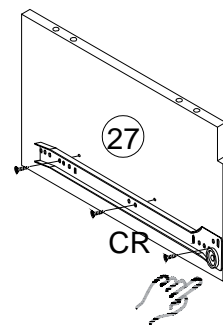
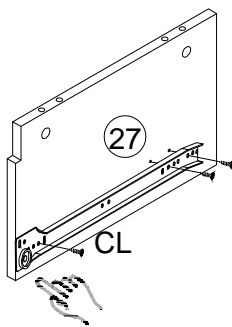
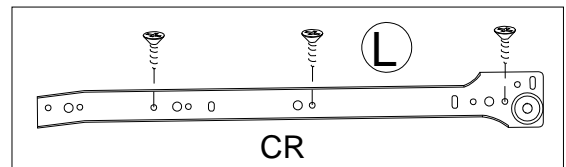
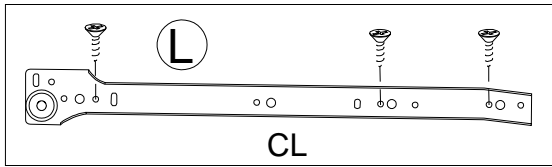
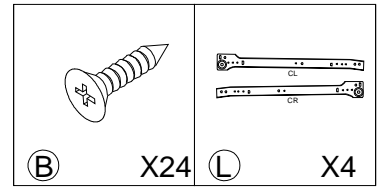


**X2**

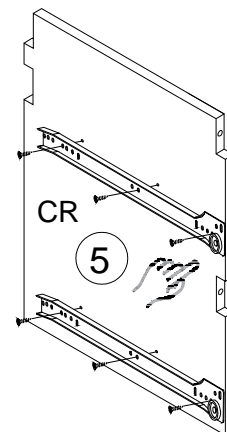
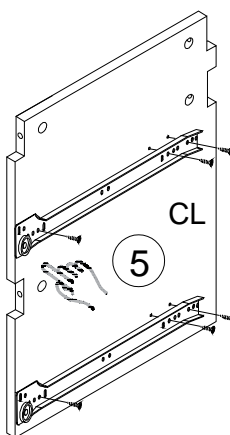
# STEP 4



# STEP 5

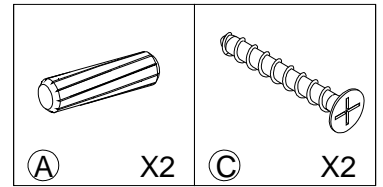
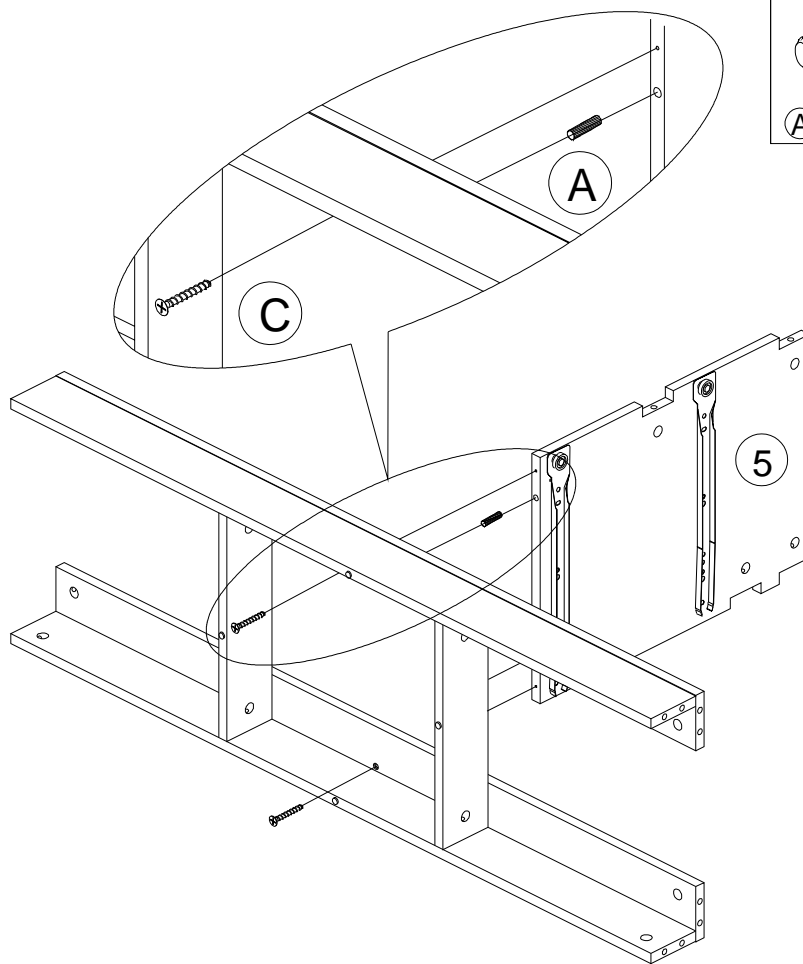


X2

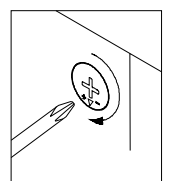
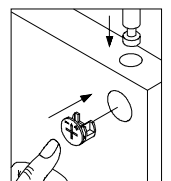
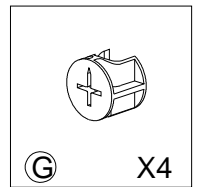
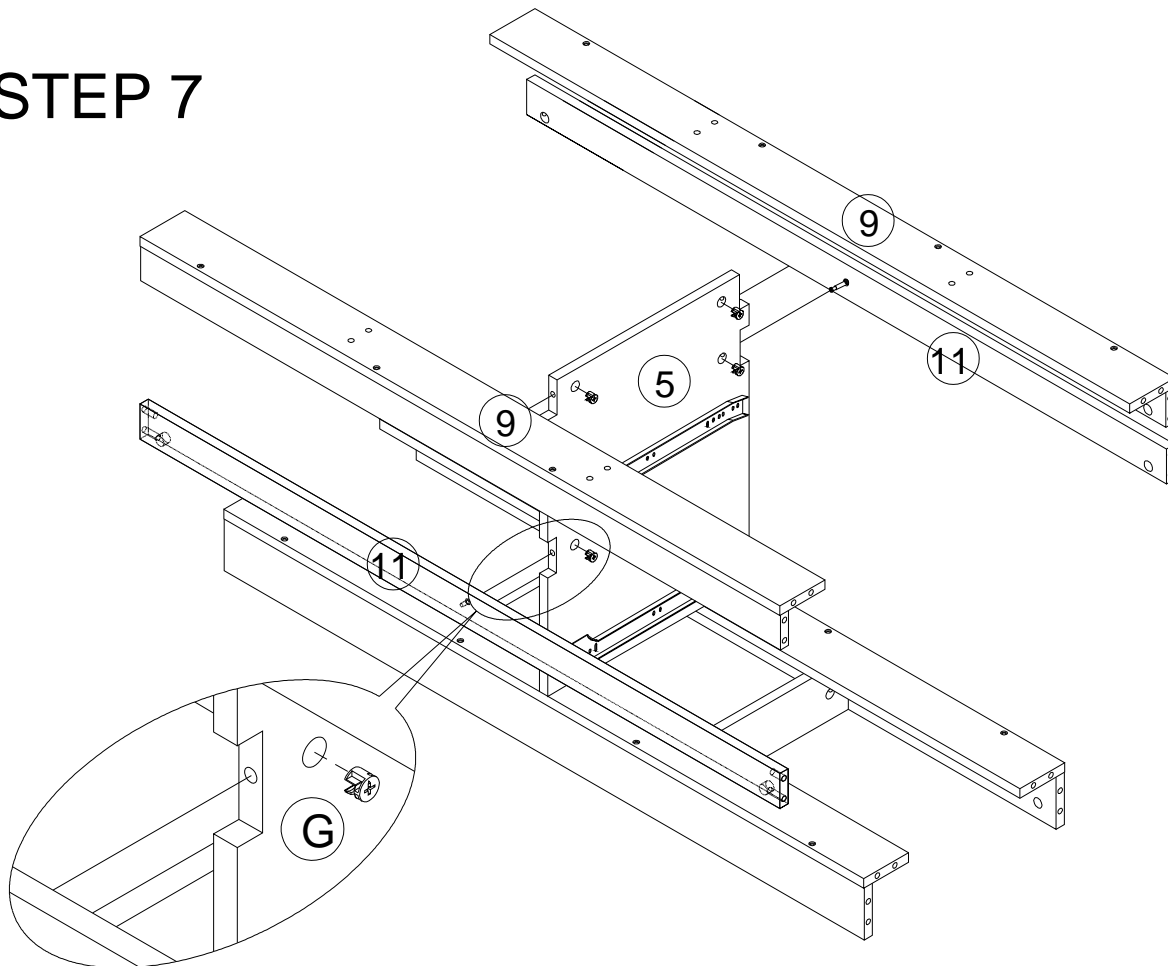


X1

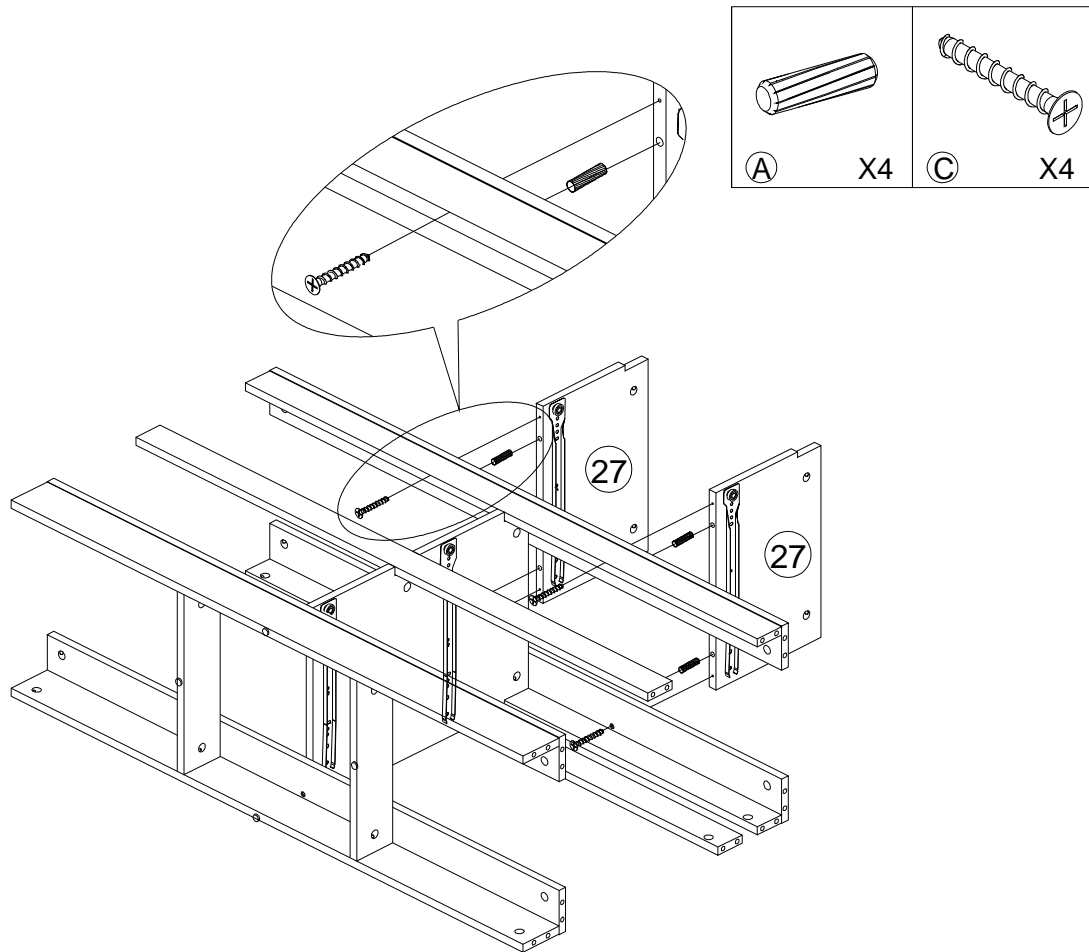
# STEP 6



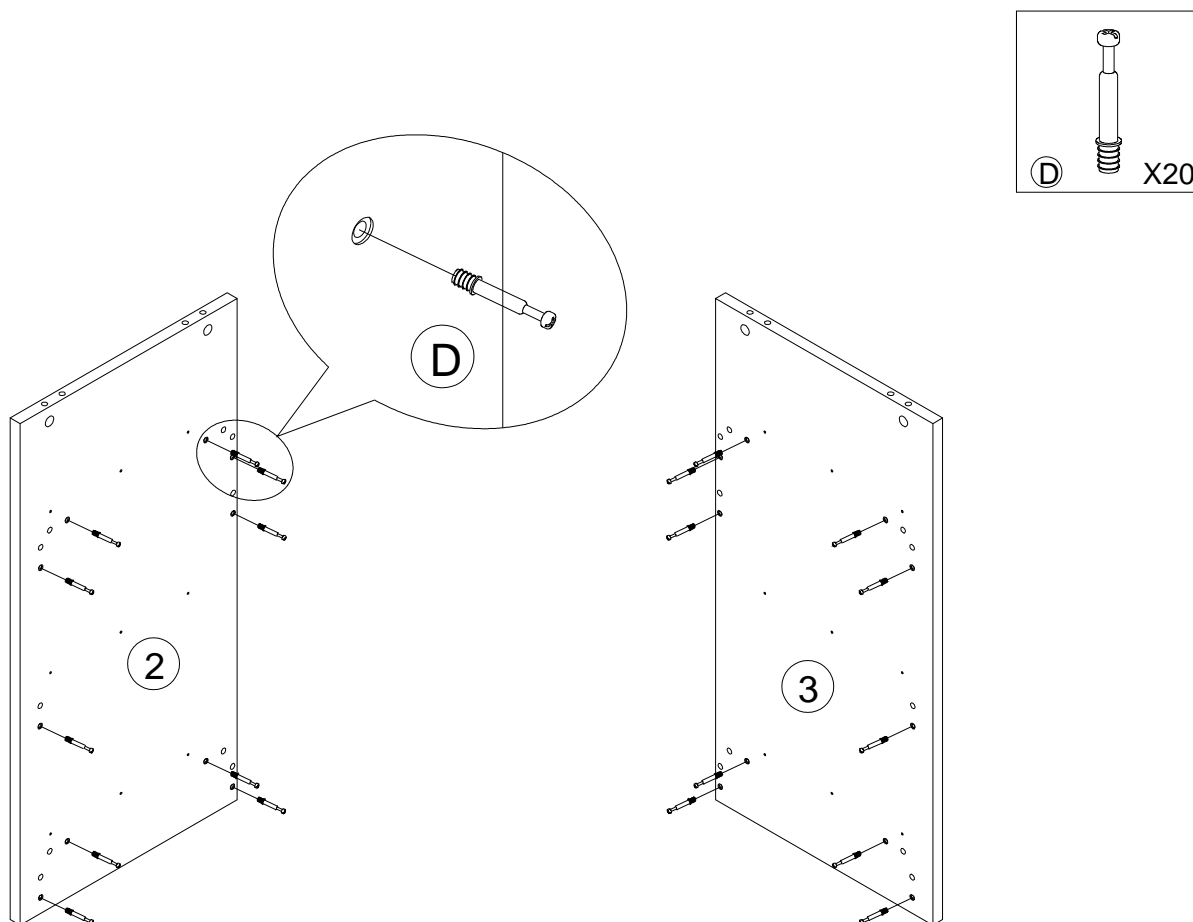
# STEP 7



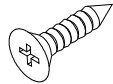
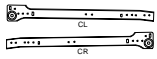
# STEP 8

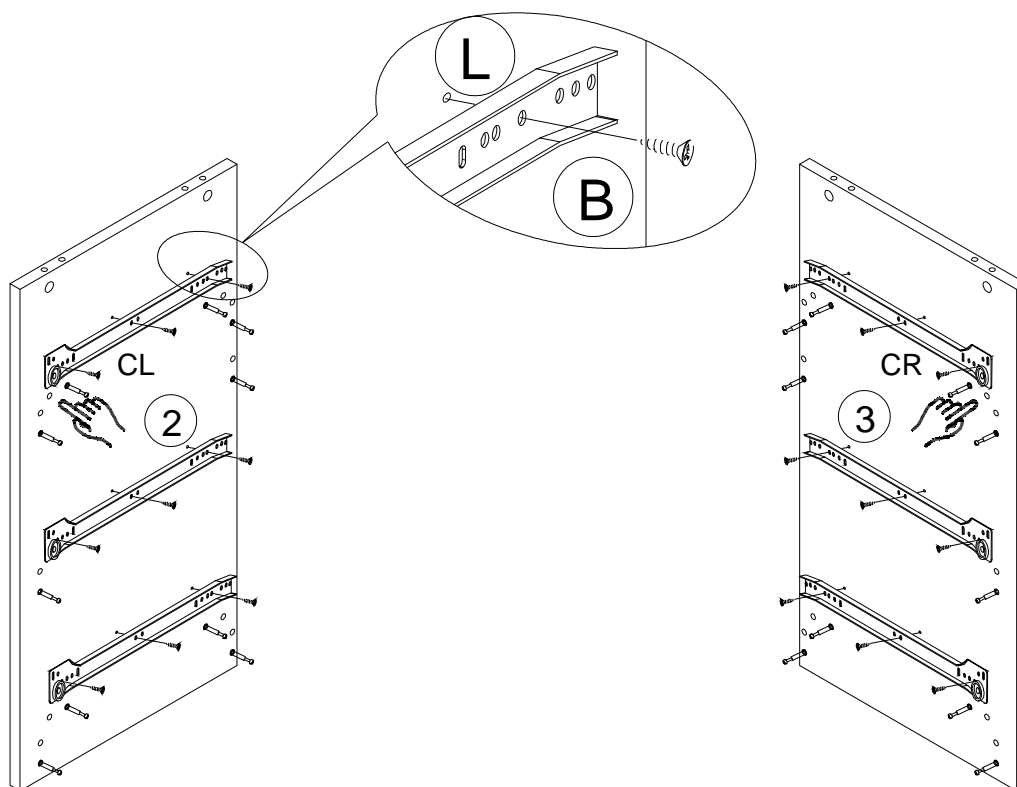
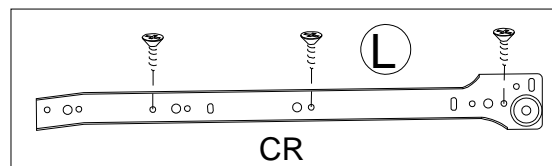
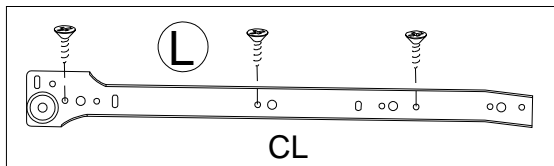


# STEP 9

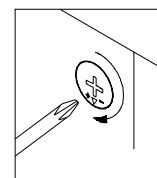
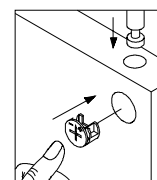
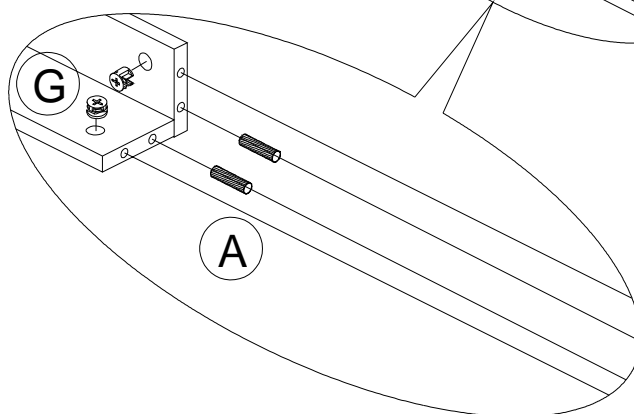
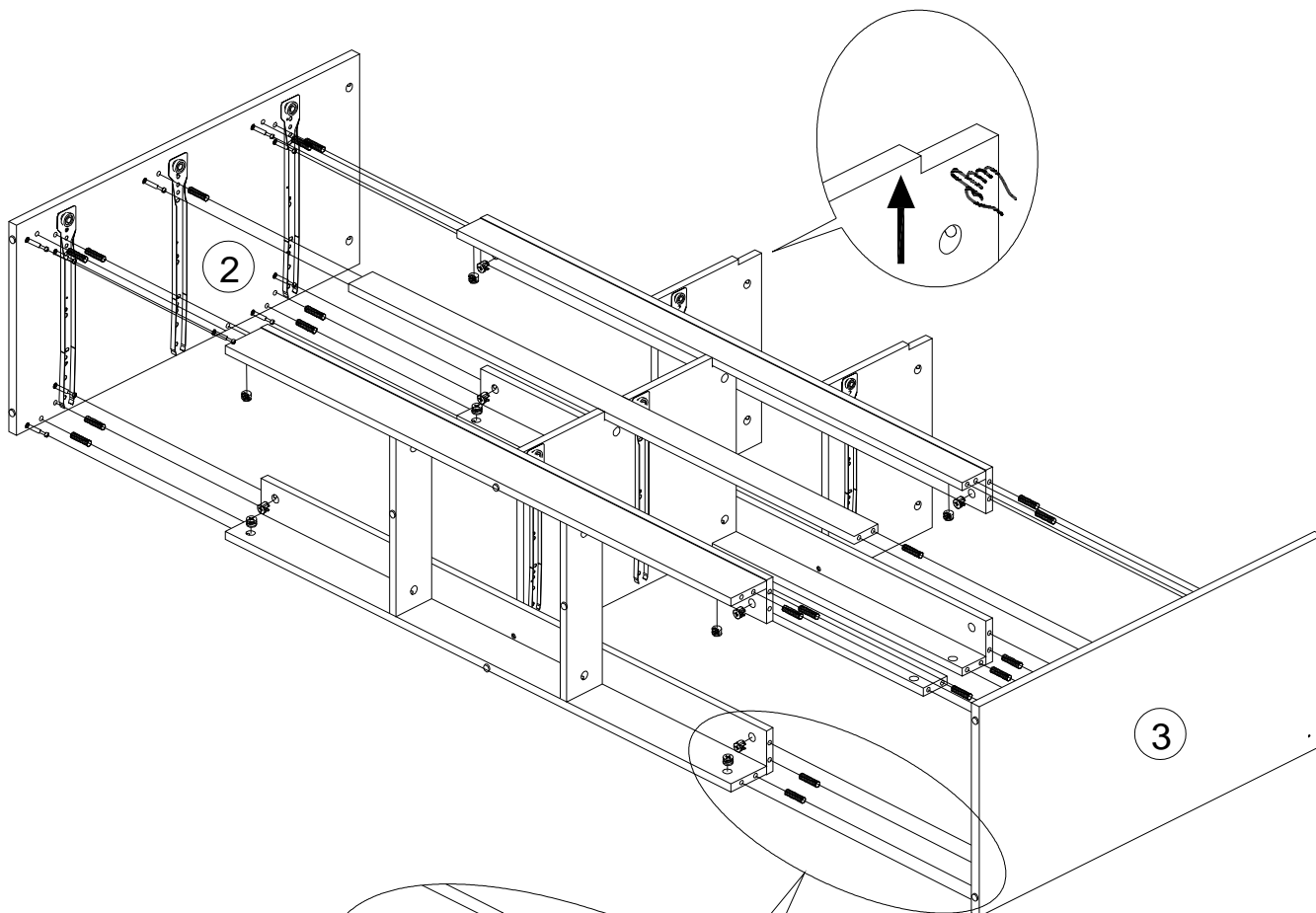
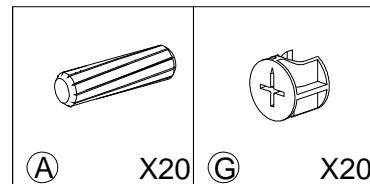


# STEP 10

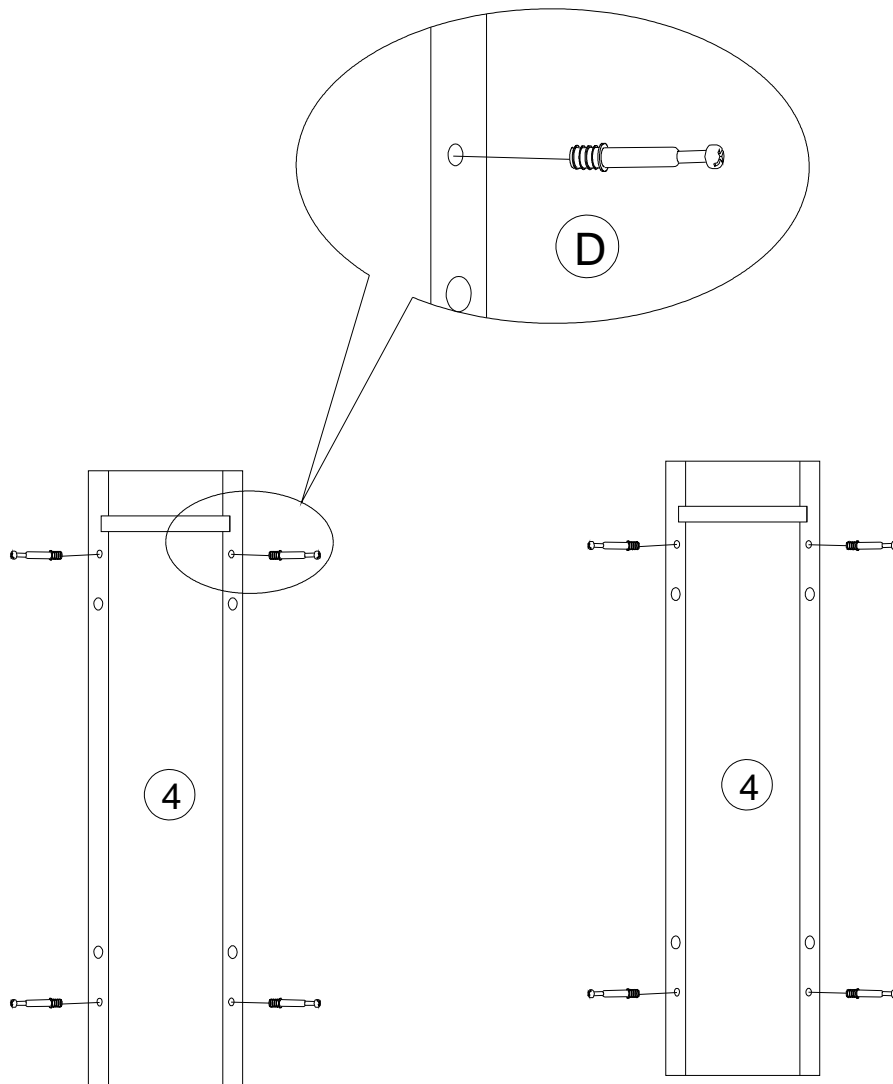
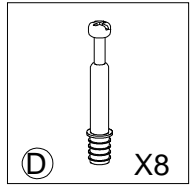
	
<b>(B)</b>	X18
<b>(L)</b>	X3



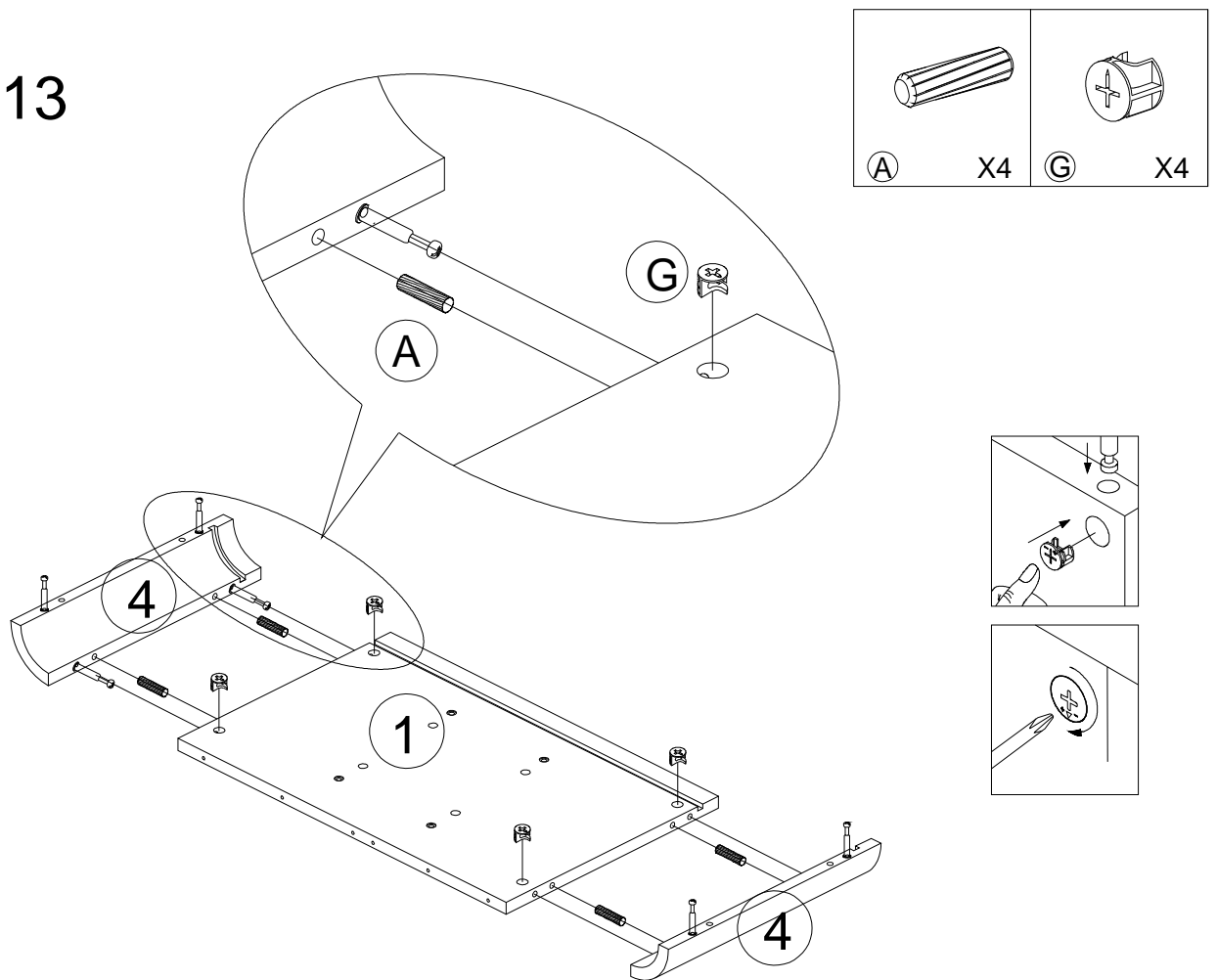
# STEP 11



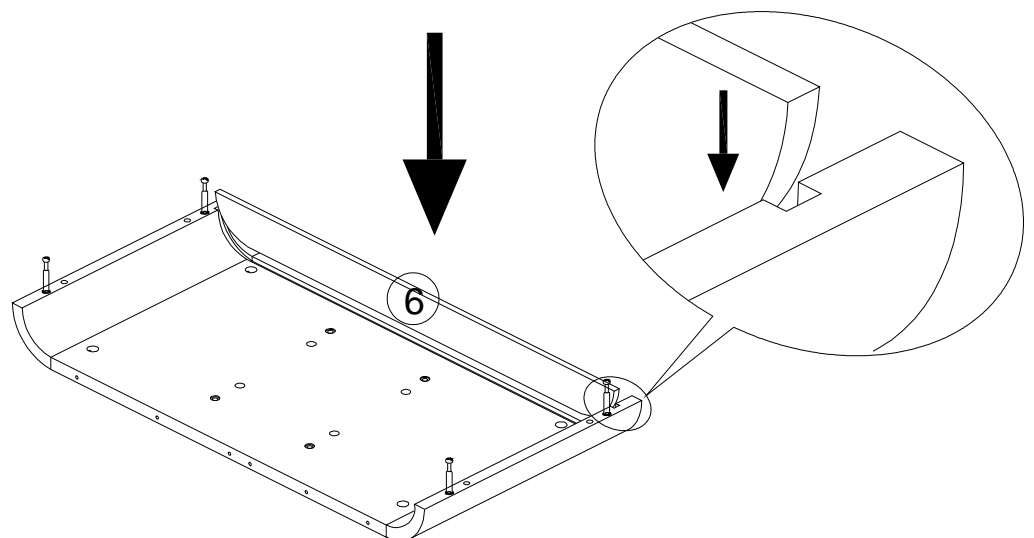
# STEP 12



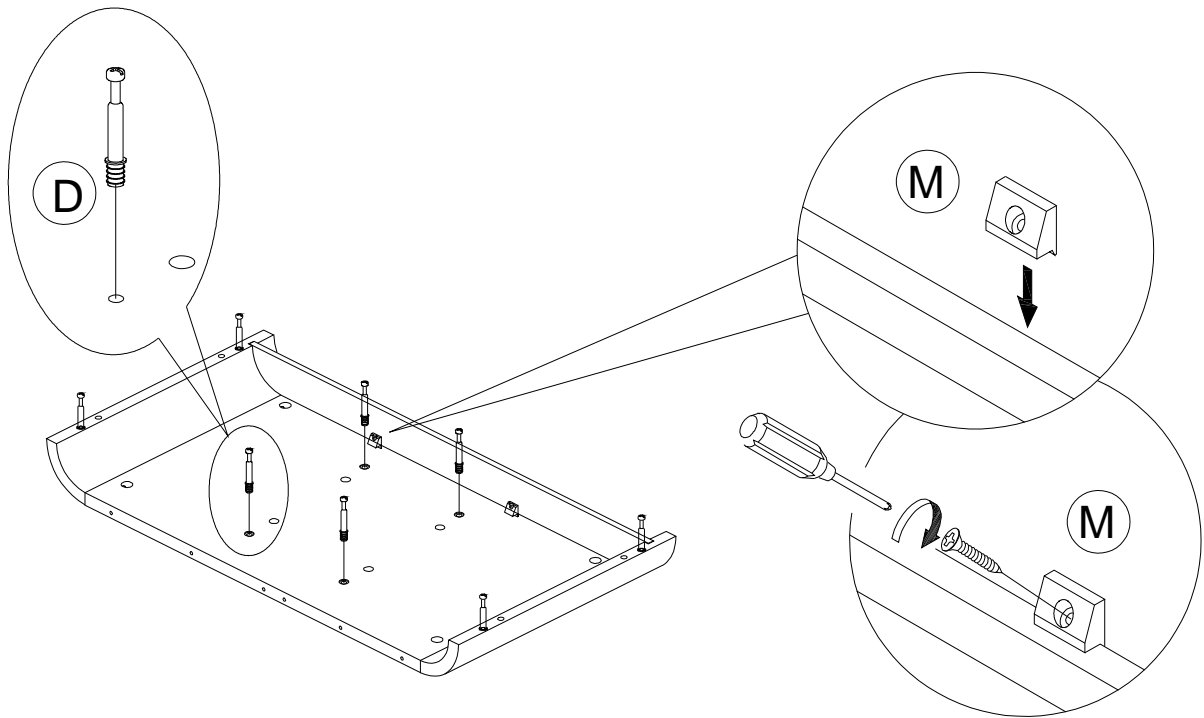
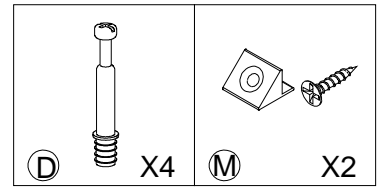
# STEP 13



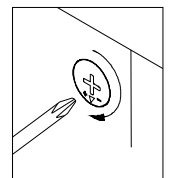
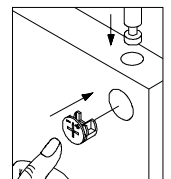
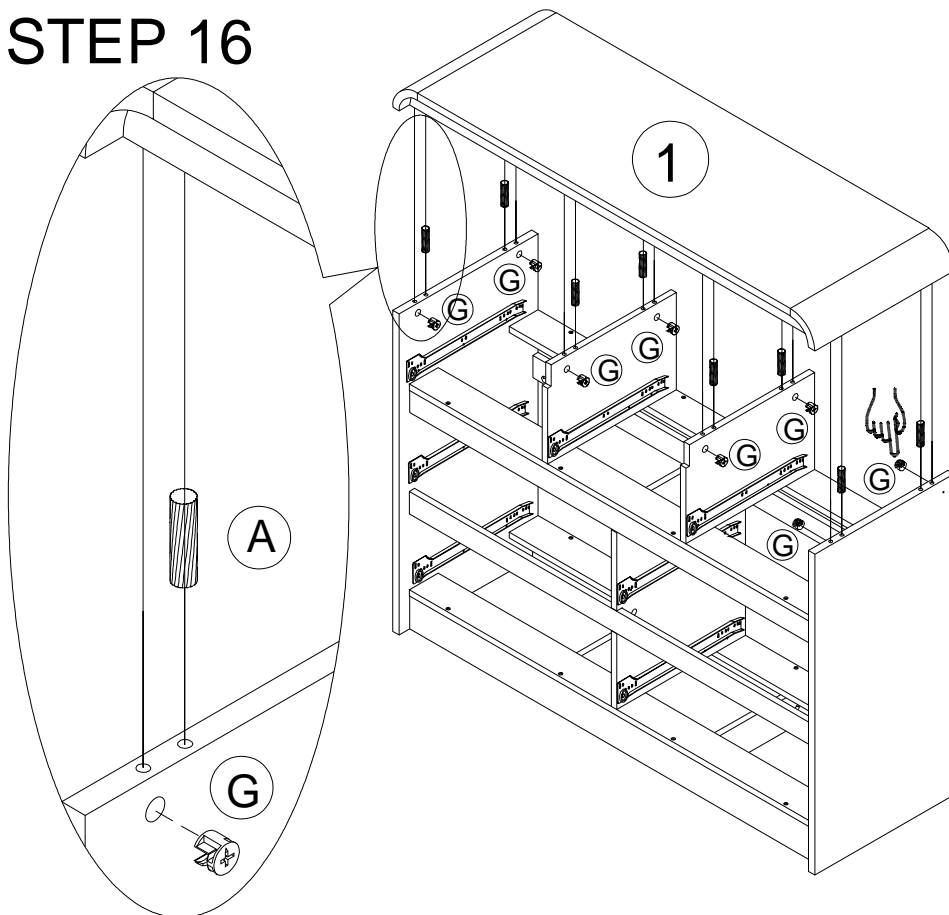
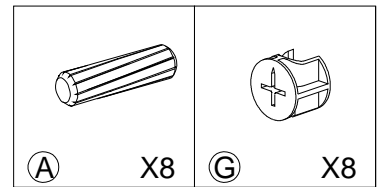
# STEP 14



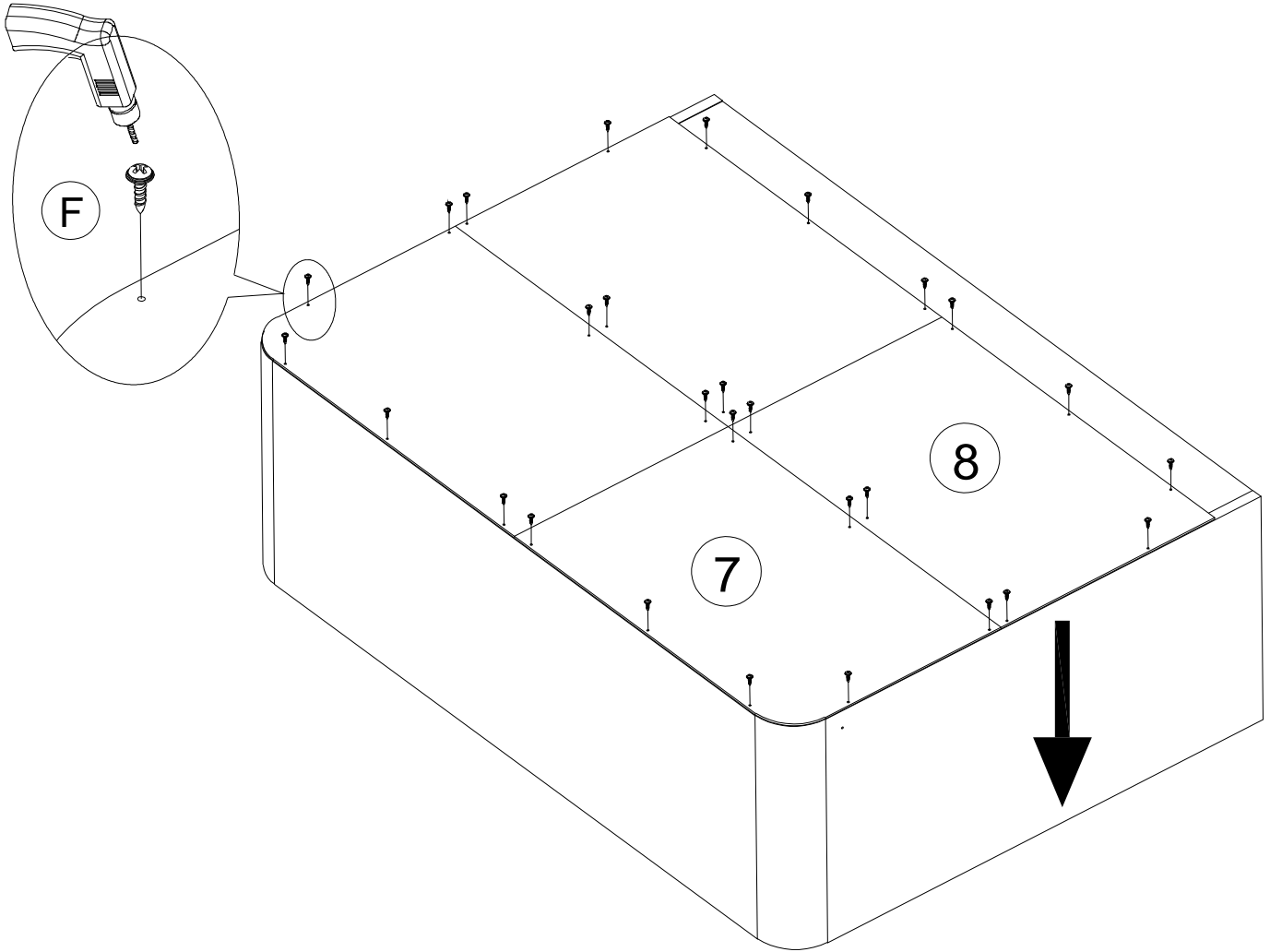
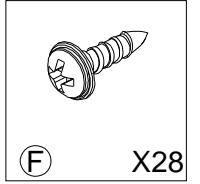
# STEP 15



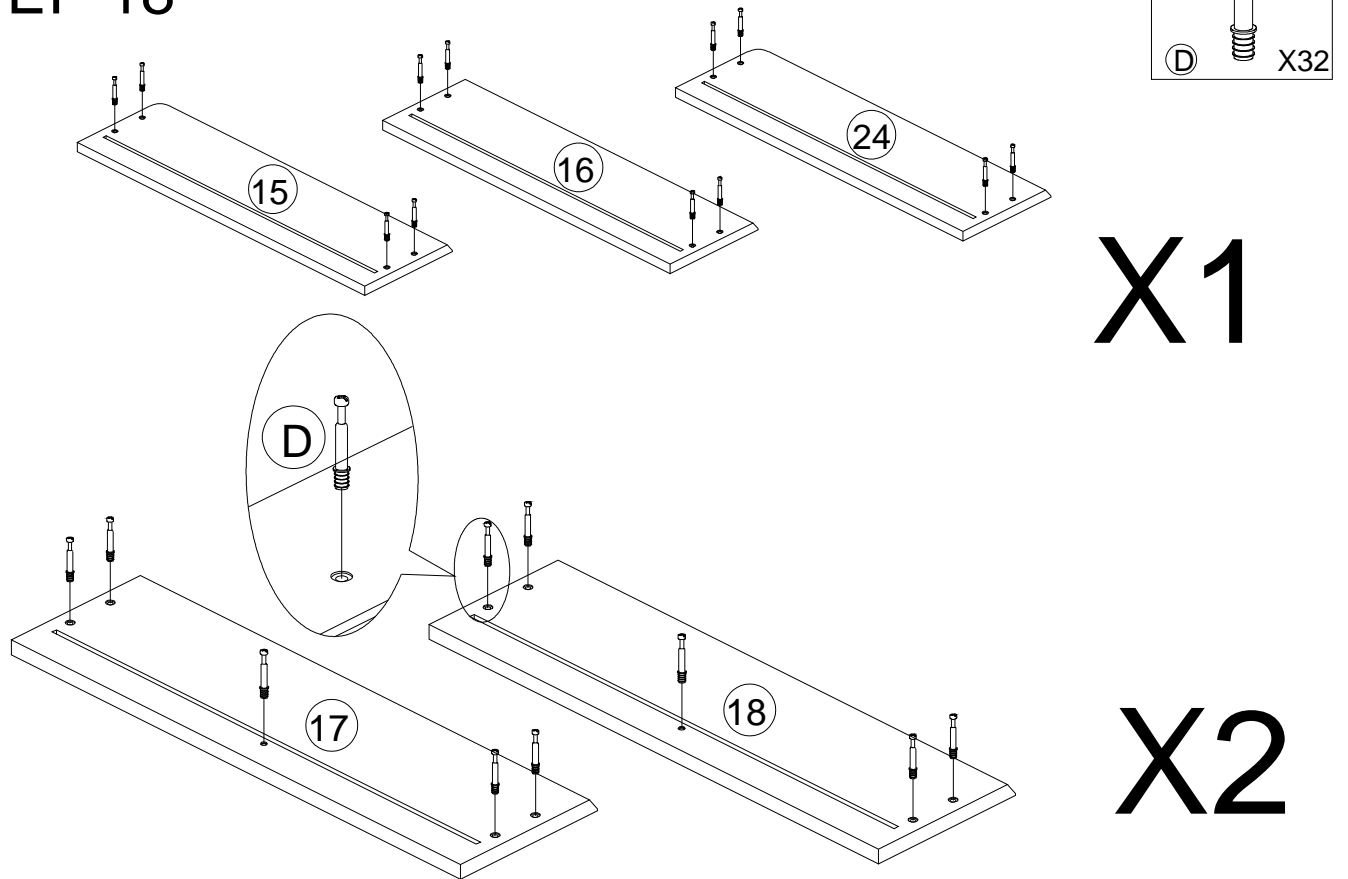
# STEP 16



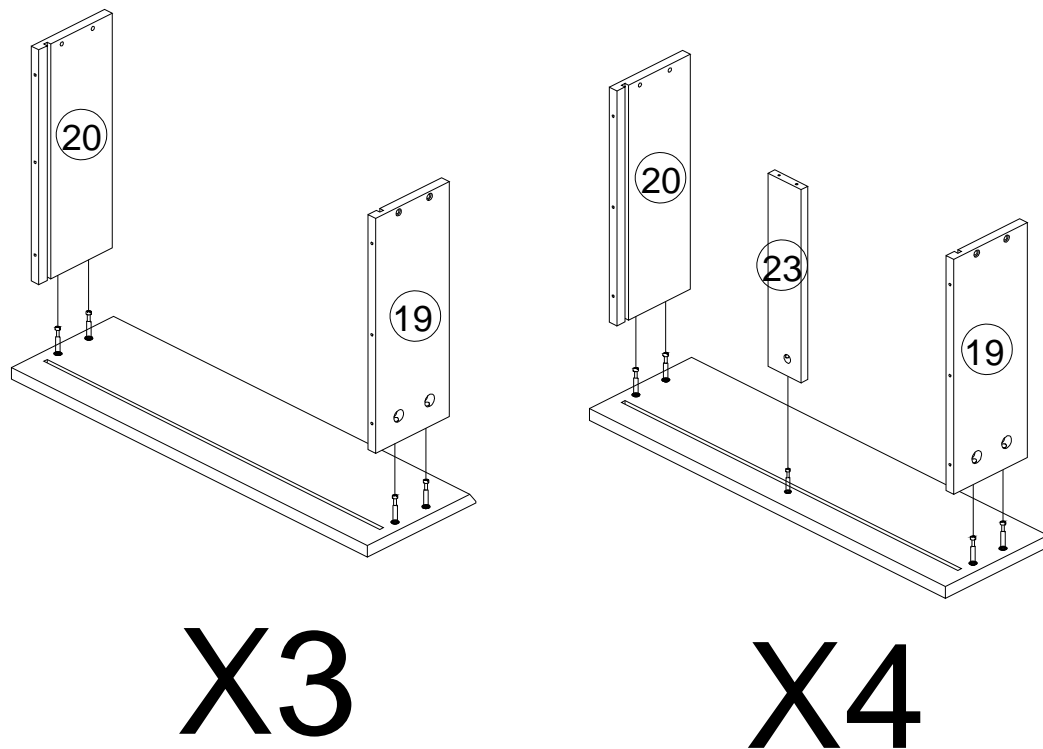
# STEP 16



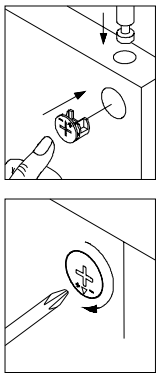
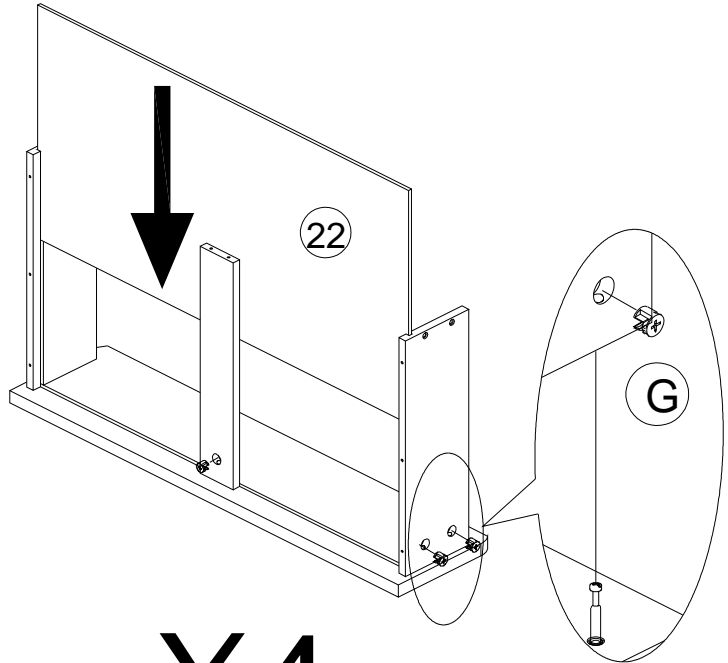
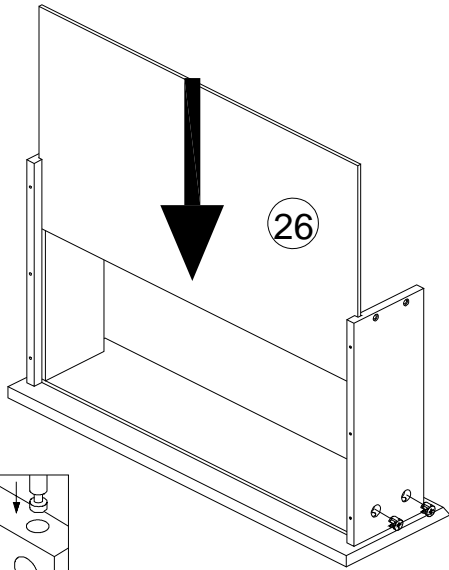
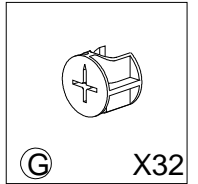
# STEP 18



# STEP 19



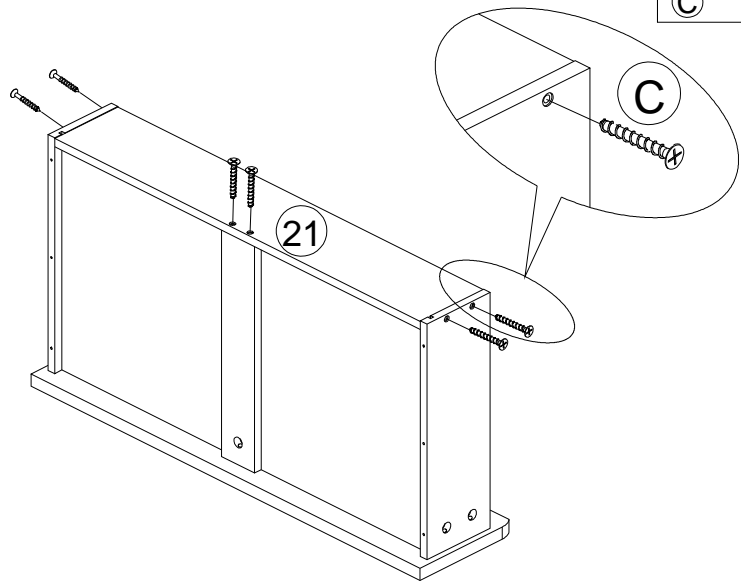
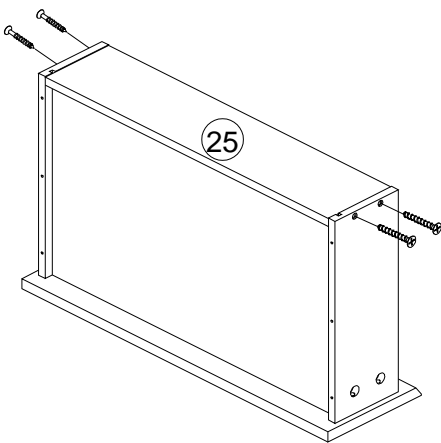
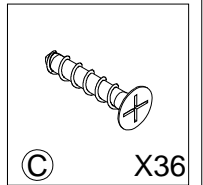
# STEP 20



X3

X4

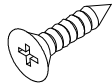

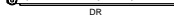
# STEP 21

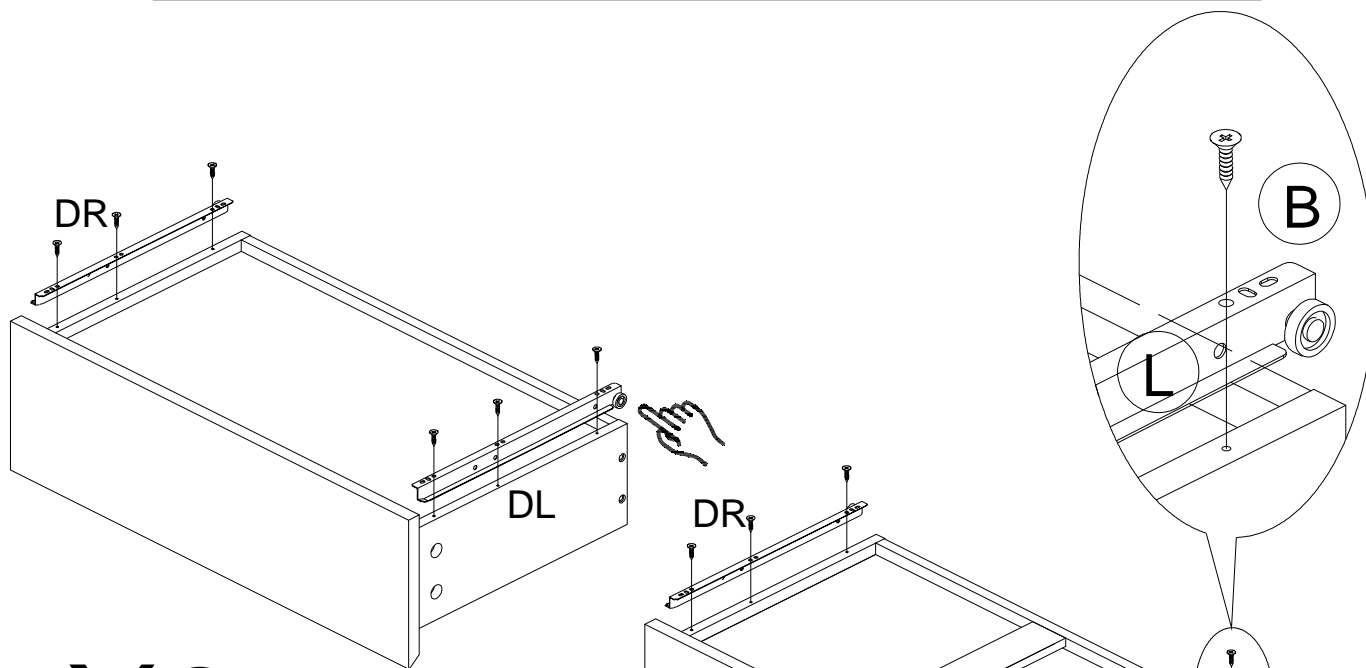
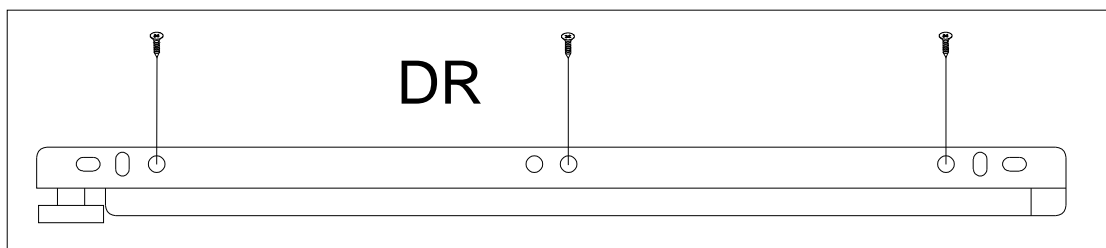
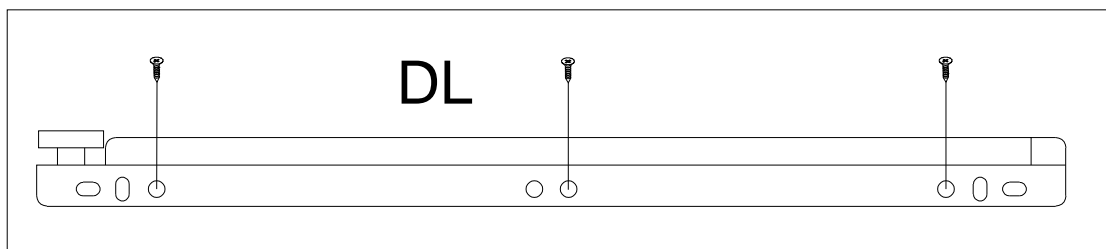


X3

X4

# STEP 22

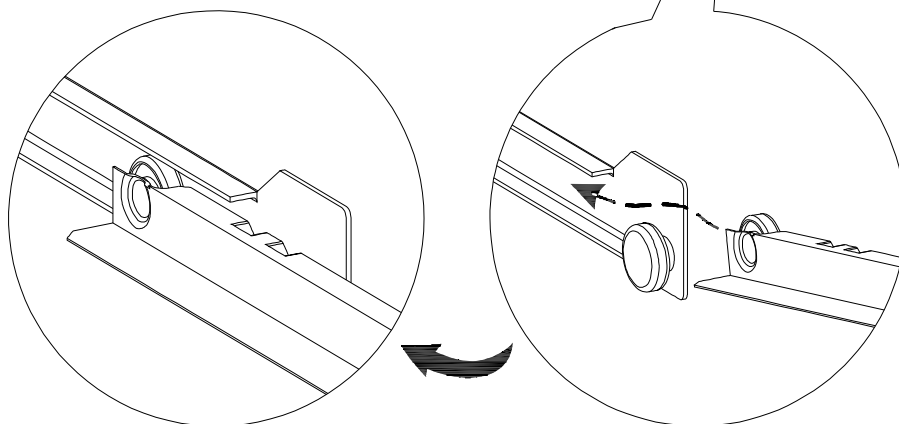
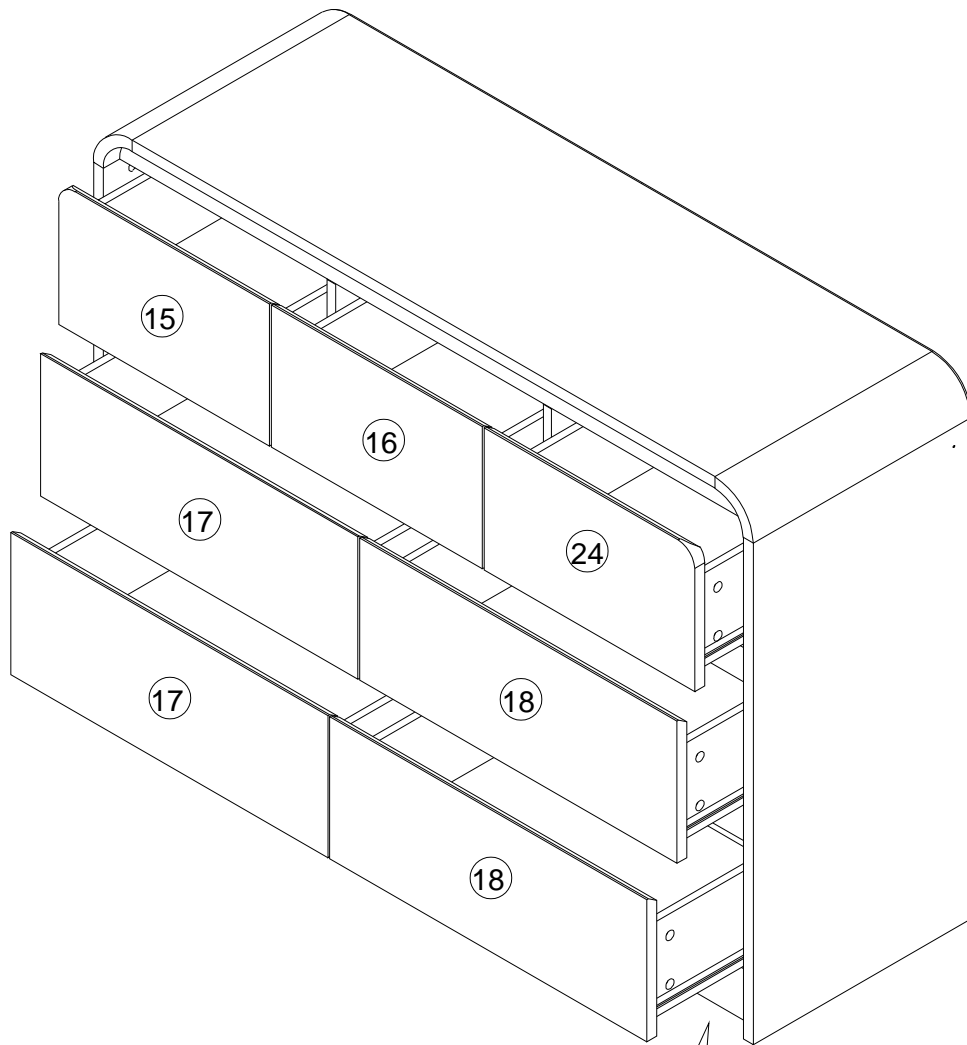
	
	
<b>(B)</b>	X42
<b>(L)</b>	X7



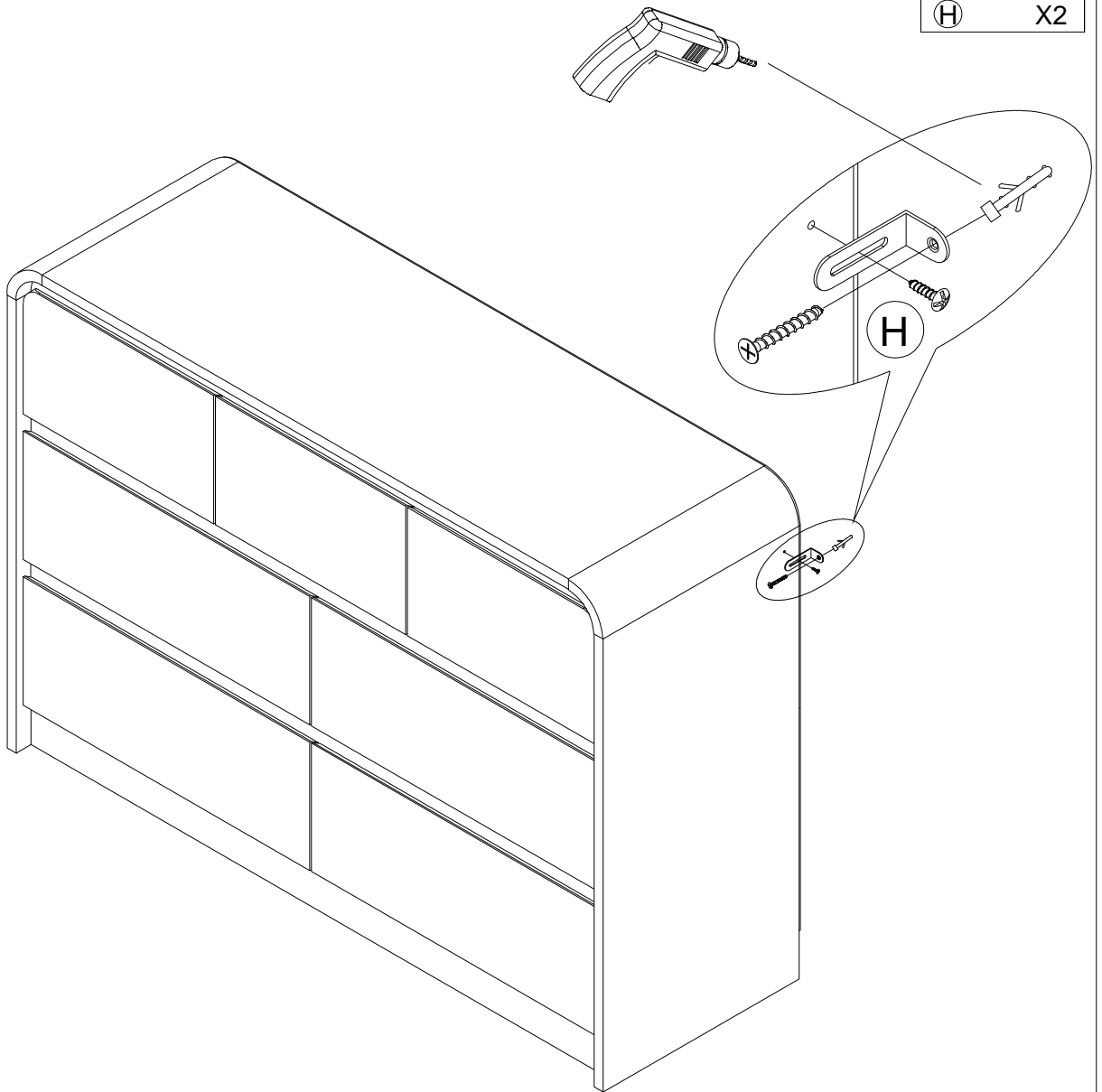
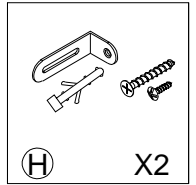
**X3**

**X4**

# STEP 23



# STEP 24



<b>▲ WARNING</b>	
	<b>Children have died from furniture tipover. To reduce the risk of furniture tipover:</b>
	<ul style="list-style-type: none"><li>• ALWAYS install anti-tip device provided.</li><li>• NEVER put a TV on this product.</li><li>• NEVER allow children to stand, climb or hang on any drawers, doors, or shelves.</li><li>• NEVER open more than one drawer at a time.</li><li>• Place heaviest items in the lowest drawers.</li></ul>
<i>this is a permanent label. Do not remove!</i>	