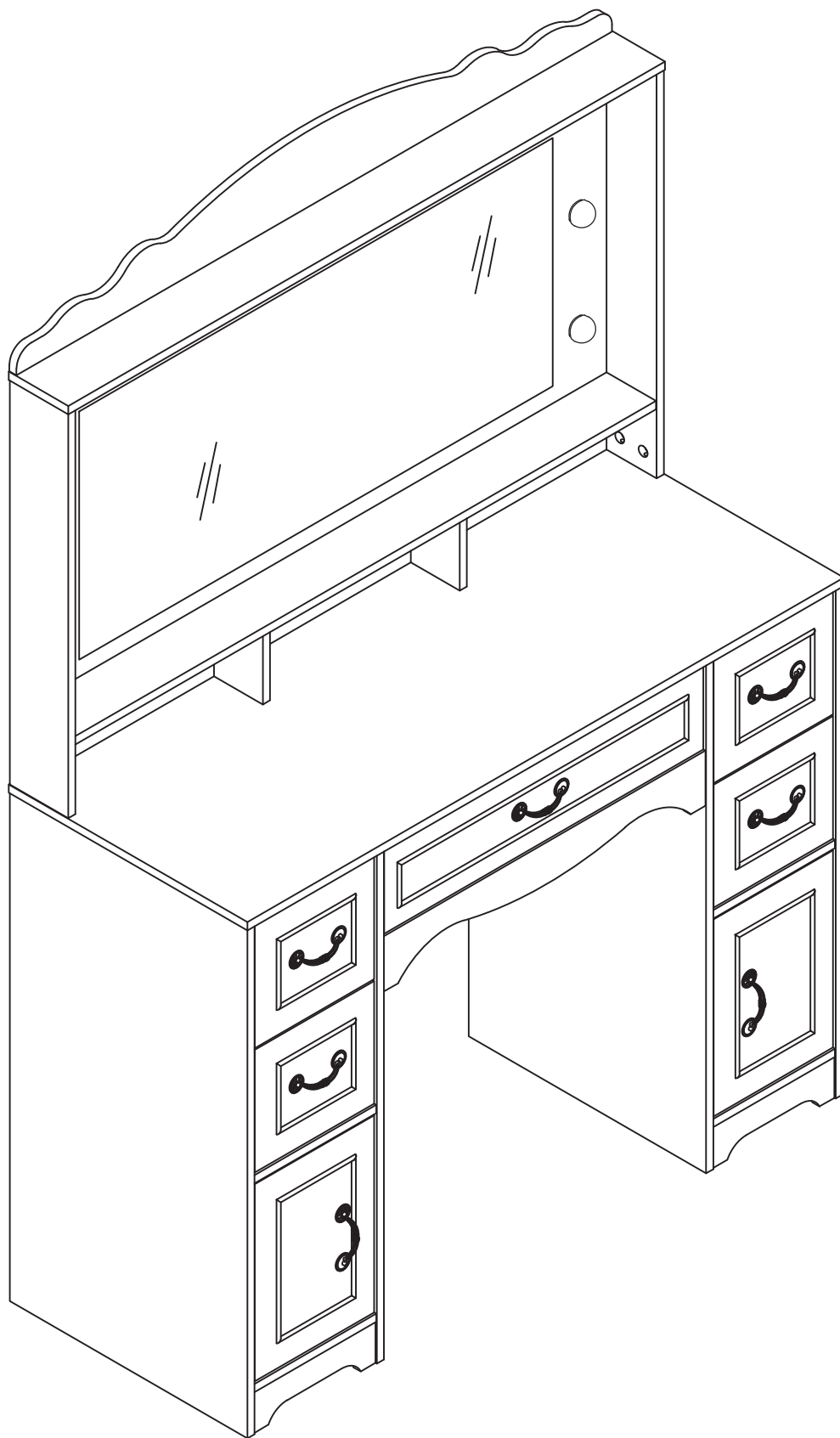
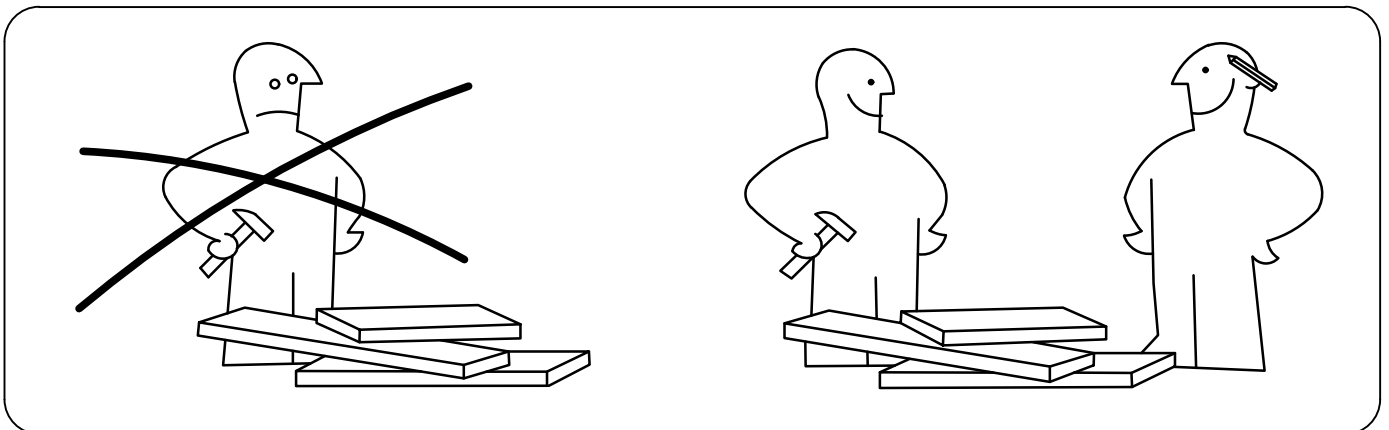
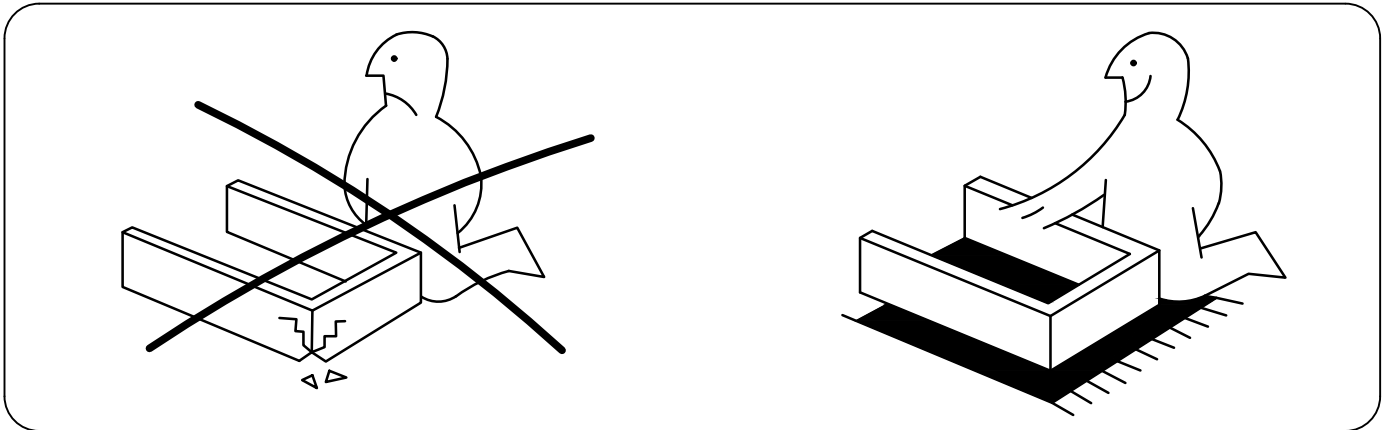


# MAKEUP VANITY USERMANUAL



## INTRODUCTION

Thank you for purchasing our products. Committed to providing customers with the best quality products and service has always been our lifelong goal. Before using the product, please read this instruction manual carefully to ensure correct use. Keep the instruction manual in a place where the user can find it at any time.



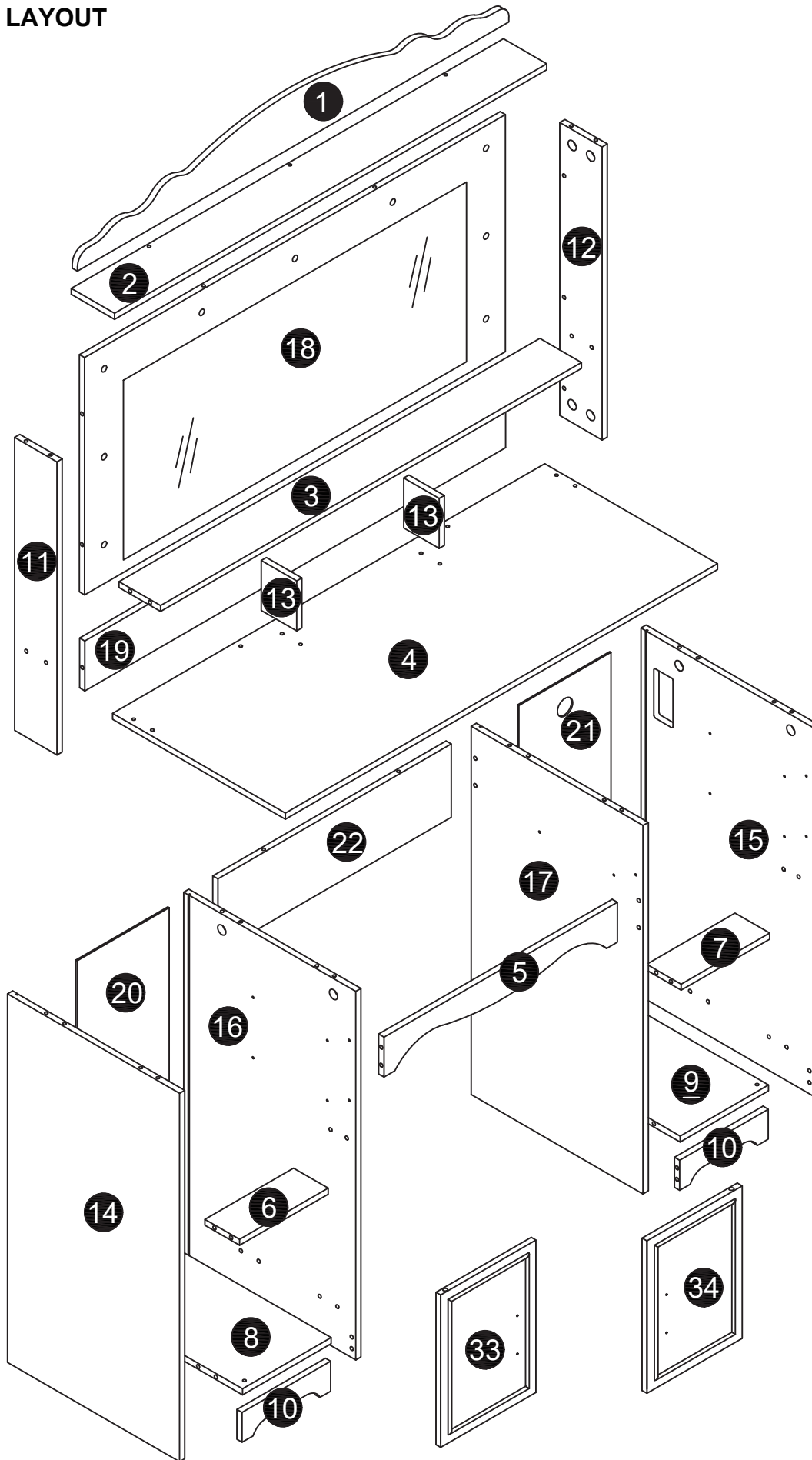
## PRECAUTIONS

1. There are many components and accessories in the package. Each component and accessory is labeled with a letter or a number, check carefully before using any of them. Keep them away from children to prevent accidents.
2. Please install the product on a clean and soft underlay (such as carpet or cardboard) to avoid scratching or damaging the surface of the product.
3. The main components of the product is relatively heavy. Please pay attention to safety during installation.
4. The product is not stable during installation. Please do not move it randomly before it is completely installed.
5. If you have any questions during installation, please contact the customer service in time.

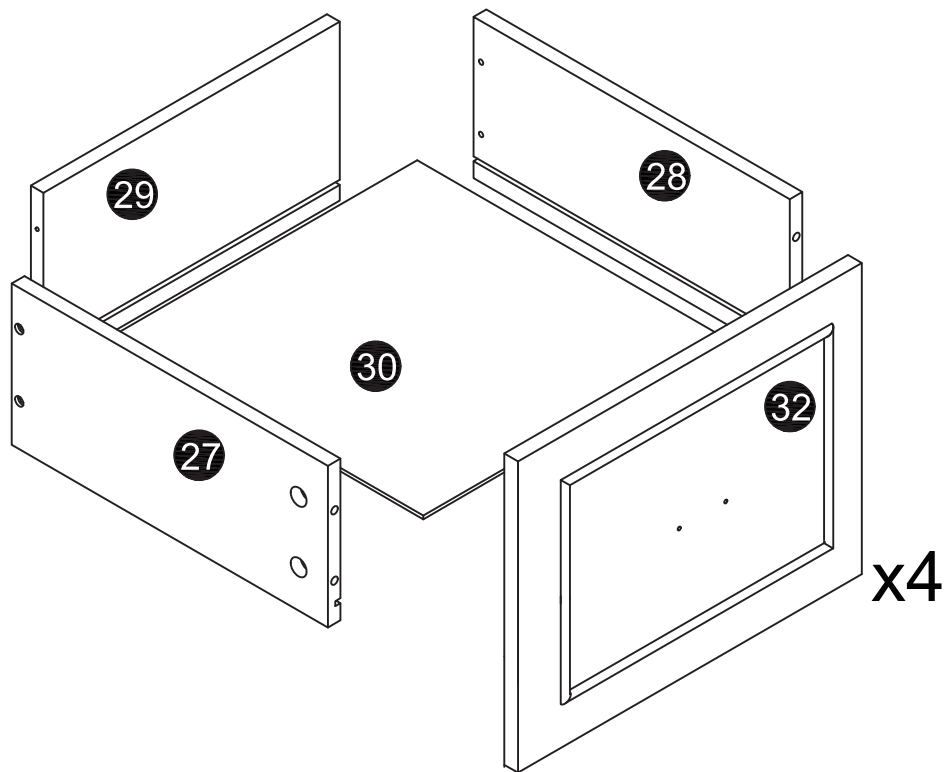
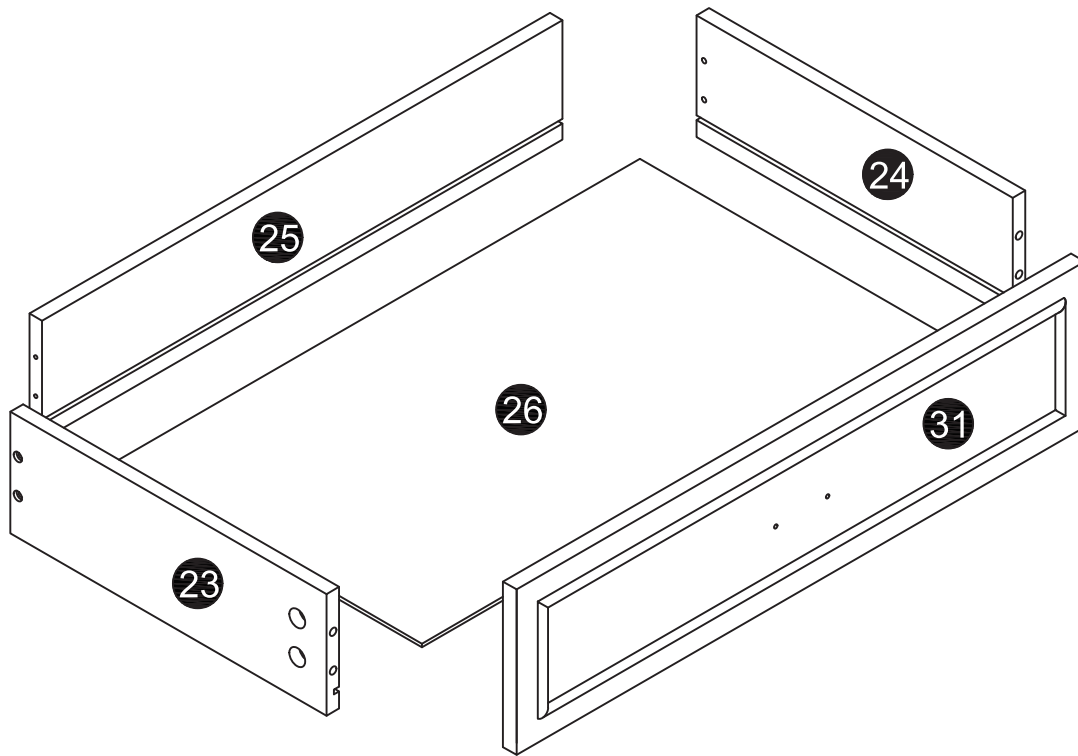
**\*PLEASE BE SURE TO FOLLOW THE INSTALLATION STEPS IN THE MANUAL TO AVOID UNNECESSARY LOSSES CAUSED BY IMPROPER INSTALLATION.**

**\*IF YOU NEED FURTHER ASSISTANCE, PLEASE CONTACT THE CUSTOMER SERVICE ONLINE.**

## PANEL LAYOUT

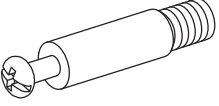
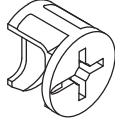
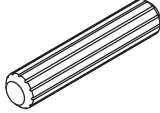
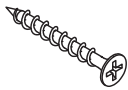

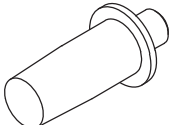
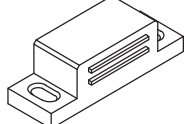
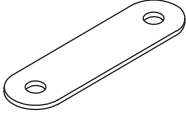
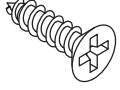
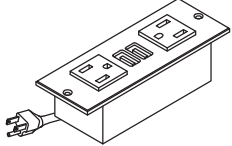


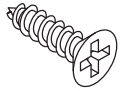


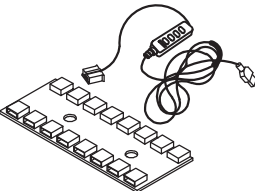






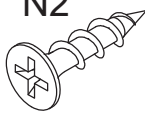
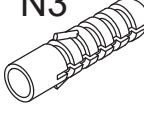
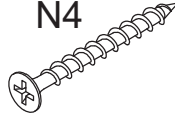


Due to the large number of boards, in order to facilitate the installation, please place the boards in order after opening the parcel and then start the installation.

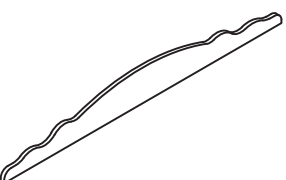
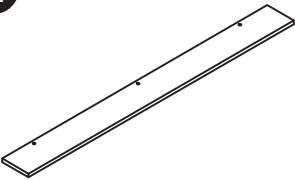
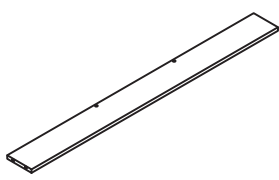
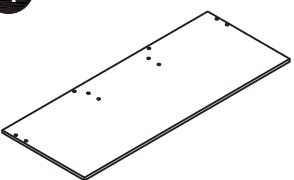
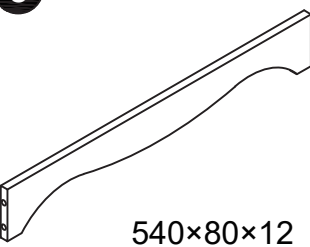
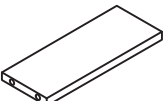
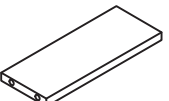
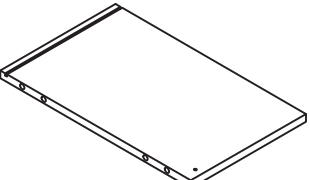
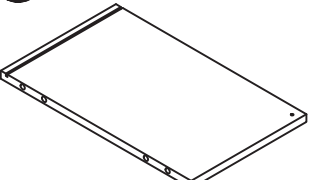



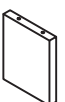
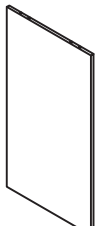
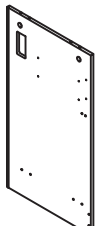
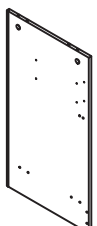
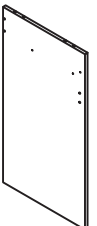
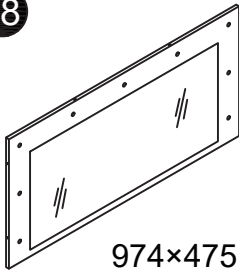
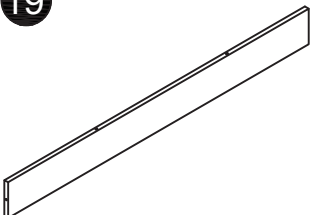


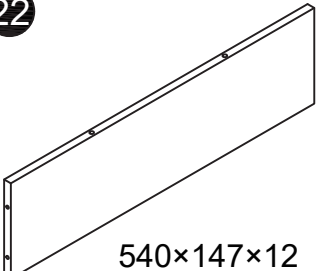
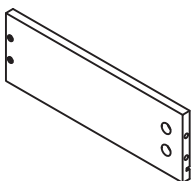
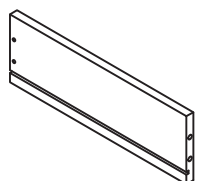


Due to the large number of boards, in order to facilitate the installation, please place the boards in order after opening the parcel and then start the installation.

# HARDWARE LIST

<p><b>A</b></p>  <p>6×35mm 87(+2)PCS</p>	<p><b>B</b></p>  <p>87(+2)PCS</p>	<p><b>C</b></p>  <p>6×30mm 24(+2)PCS</p>	<p><b>D</b></p>  <p>3.5×35mm 20(+2)PCS</p>	<p><b>E</b></p>  <p>M5×40mm 4 PCS</p>
<p><b>F</b></p>  <p>12×25mm 4PCS</p>	<p><b>G</b></p>  <p>46×15×15mm 2PCS</p>	<p><b>H</b></p>  <p>45×12×0.8mm 2PCS</p>	<p><b>I</b></p>  <p>M3×12mm 68(+2)PCS</p>	<p><b>K</b></p>  <p>124×46×46mm 1PC</p>
<p><b>L</b></p>  <p>96×35×14mm 7PCS</p>	<p><b>M</b></p>  <p>M4×16mm 14(+1)PCS</p>	<p><b>P</b></p>  <p>M3×14mm 12(+1)PCS</p>	<p><b>Q</b></p>  <p>15×14×10mm 8PCS</p>	<p><b>R</b></p>  <p>9PCS</p>
<p><b>S</b></p>  <p>1PC</p>	<p><b>V</b></p>  <p>87(+2)PCS</p>			
<p><b>O</b></p> <div style="display: flex; justify-content: space-around; align-items: flex-end;"> <div style="text-align: center;">  DL L300 5PCS         </div> <div style="text-align: center;">  DR L300 5PCS         </div> <div style="text-align: center;">  CL L300 5PCS         </div> <div style="text-align: center;">  CR L300 5PCS         </div> </div>				
<p><b>N</b></p> <div style="display: flex; justify-content: space-around; align-items: flex-end;"> <div style="text-align: center;">  N1         </div> <div style="text-align: center;">  N2 M3×15mm         </div> <div style="text-align: center;">  N3         </div> <div style="text-align: center;">  N4 M3×35mm         </div> </div> <p style="text-align: center;">2PCS</p>				

# PANEL LIST

<p><b>1</b></p>  <p>998×110×12 x1PC</p>	<p><b>2</b></p>  <p>1000×100×12 x1PC</p>	<p><b>3</b></p>  <p>974×96×12 x1PC</p>	<p><b>4</b></p>  <p>1000×400×24 x1PC</p>
<p><b>5</b></p>  <p>540×80×12 x1PC</p>	<p><b>6</b></p>  <p>192×80×12 x1PC</p>	<p><b>7</b></p>  <p>192×80×12 x1PC</p>	<p><b>8</b></p>  <p>383×192×12 x1PC</p>
<p><b>9</b></p>  <p>383×192×12 x1PC</p>	<p><b>10</b></p>  <p>192×60×12 x2PCS</p>	<p><b>11</b></p>  <p>587×98×12 x1PC</p>	<p><b>12</b></p>  <p>587×98×12 x1PC</p>
<p><b>13</b></p>  <p>100×82×12 x2PCS</p>	<p><b>14</b></p>  <p>726×385×12 x1PC</p>	<p><b>15</b></p>  <p>726×385×12 x1PC</p>	<p><b>16</b></p>  <p>726×385×12 x1PC</p>
<p><b>17</b></p>  <p>726×385×12 x1PC</p>	<p><b>18</b></p>  <p>974×475×12 x1PC</p>	<p><b>19</b></p>  <p>974×100×12 x1PC</p>	<p><b>20</b></p>  <p>662×200×3 x1PC</p>
<p><b>21</b></p>  <p>662×200×3 x1PC</p>	<p><b>22</b></p>  <p>540×147×12 x1PC</p>	<p><b>23</b></p>  <p>300×90×12 x1PC</p>	<p><b>24</b></p>  <p>300×90×12 x1PC</p>

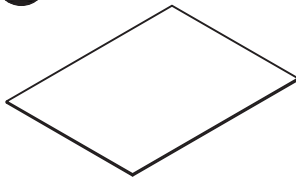
**PANEL LIST**

**25**



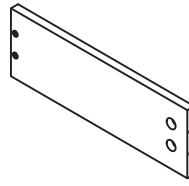
490×88×12  
x1PC

**26**



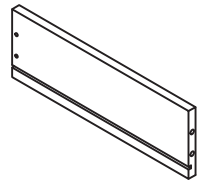
498×295×3  
x1PC

**27**



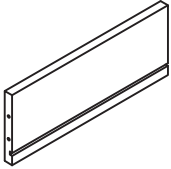
300×110×12  
x4PCS

**28**



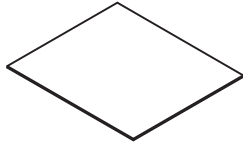
300×110×12  
x4PCS

**29**



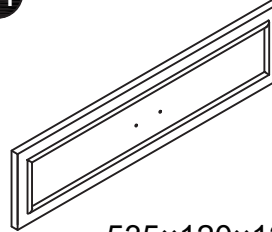
142×108×12  
x4PCS

**30**



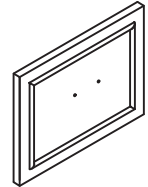
295×150×3  
x4PCS

**31**



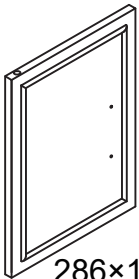
535×120×12  
x1PC

**32**



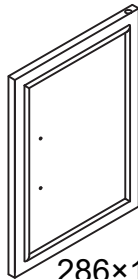
187×178×12  
x4PCS

**33**



286×157×12  
x1PC

**34**

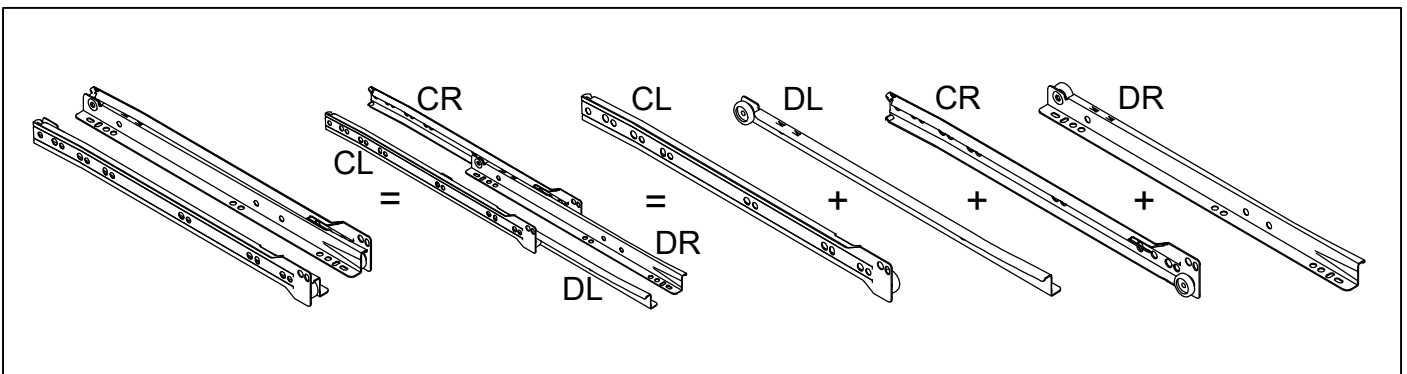
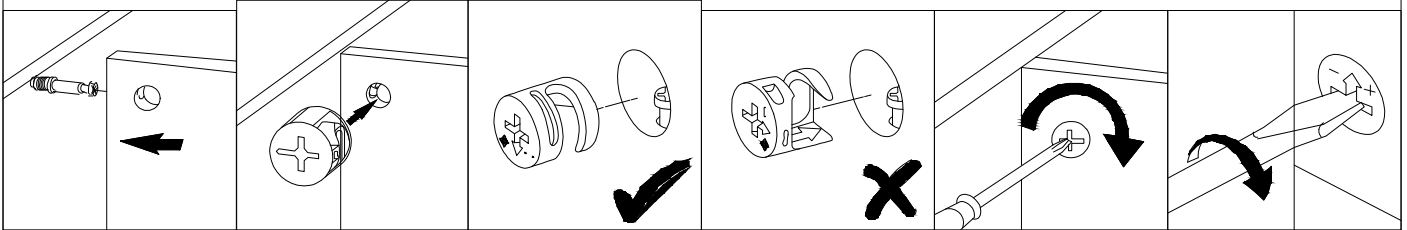
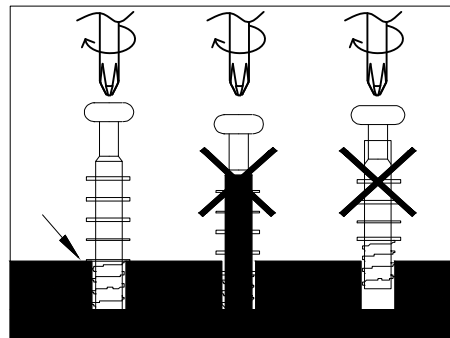


286×157×12  
x1PC

**TIPS**




1. When installing the product, use a soft surface (such as carpet or cardboard) to avoid scratching or damaging the surface of the product.
2. Please try to use a manual screwdriver instead of electric screw driver. A manual screwdriver can be used to better control the tightness of the screws.
3. Do not use any glue.
4. The product is unstable before it is assembled. Please pay attention to the product installation sequence, and align all screws and screw holes before tightening.
5. The structure of this product can not meet the requirements of children climbing.

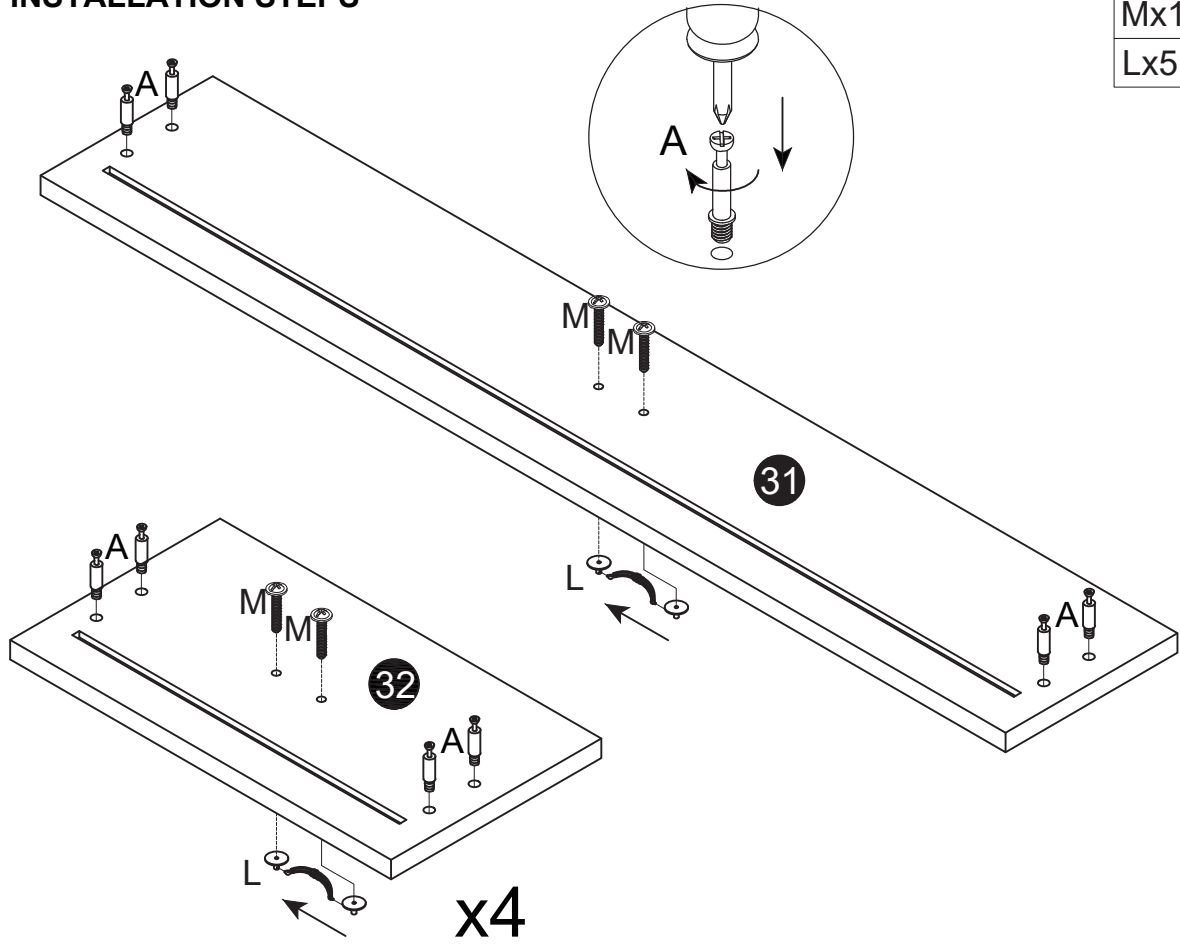
Installation method of three in one rod and buckle



01

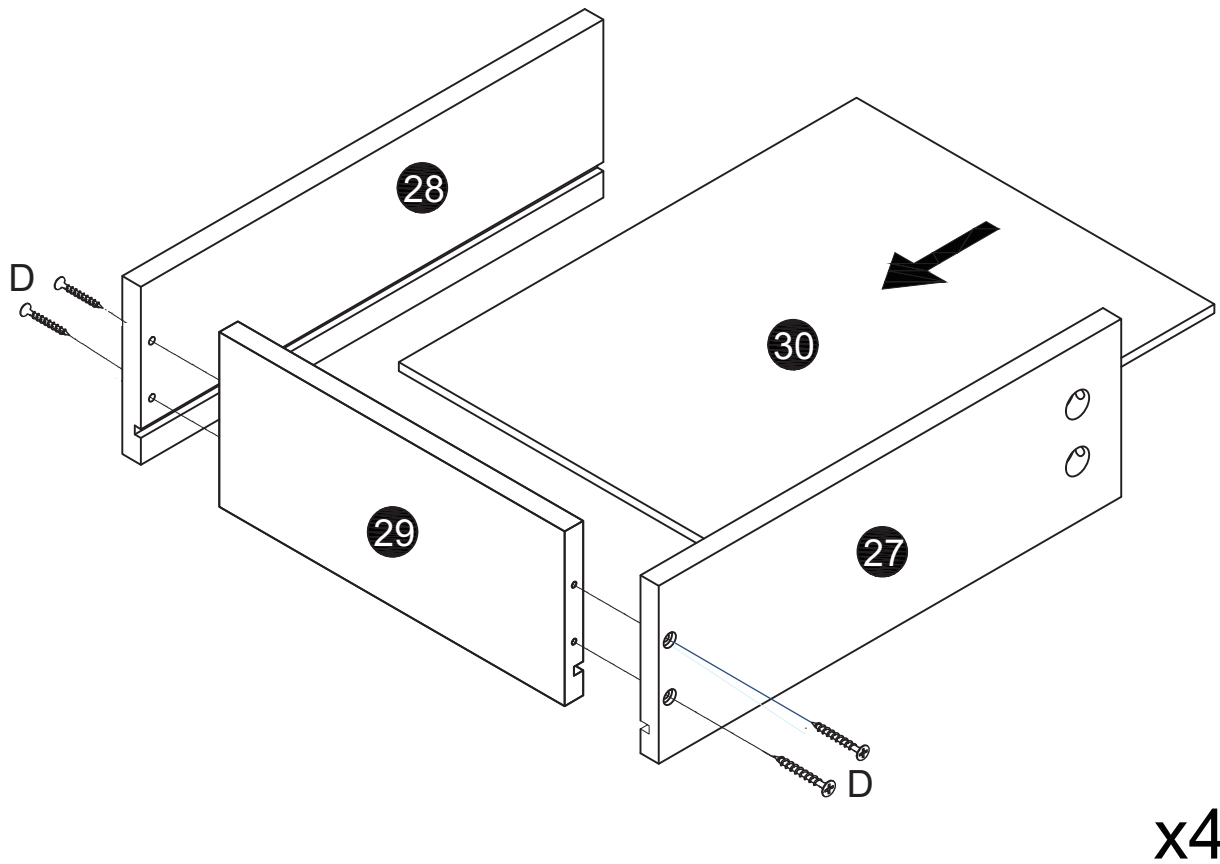
INSTALLATION STEPS

- Ax20 
- Mx10 
- Lx5 




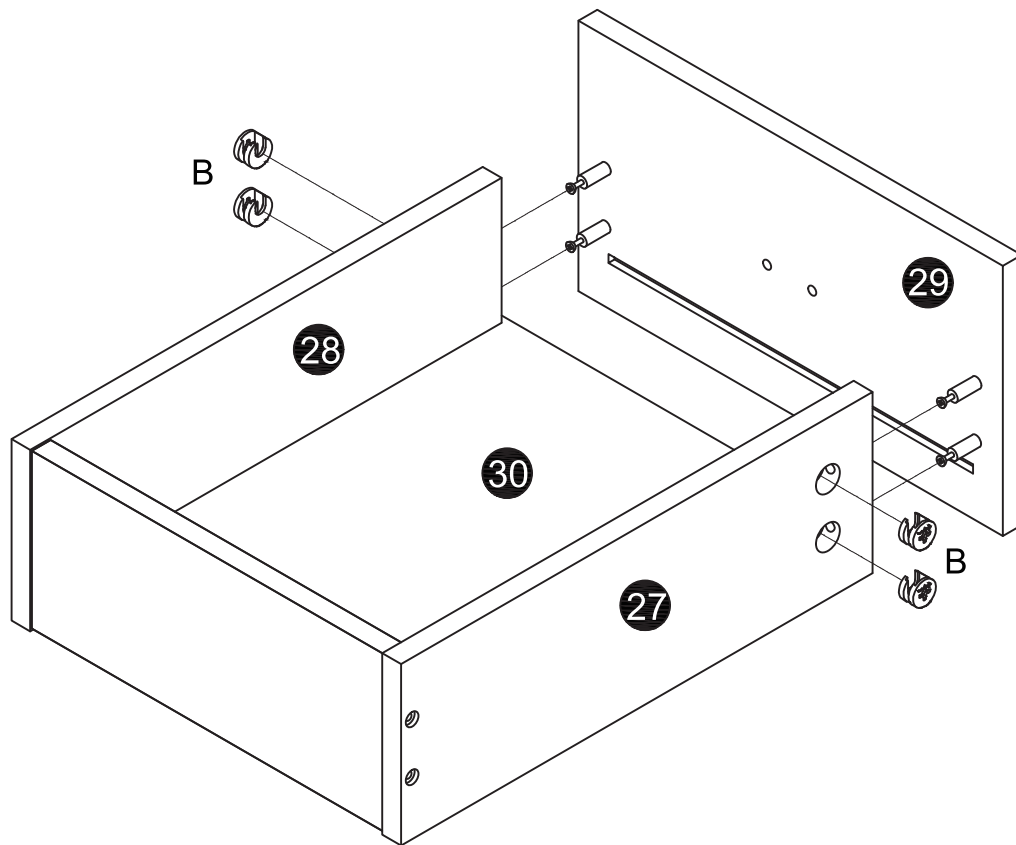
02

- Dx16 





03

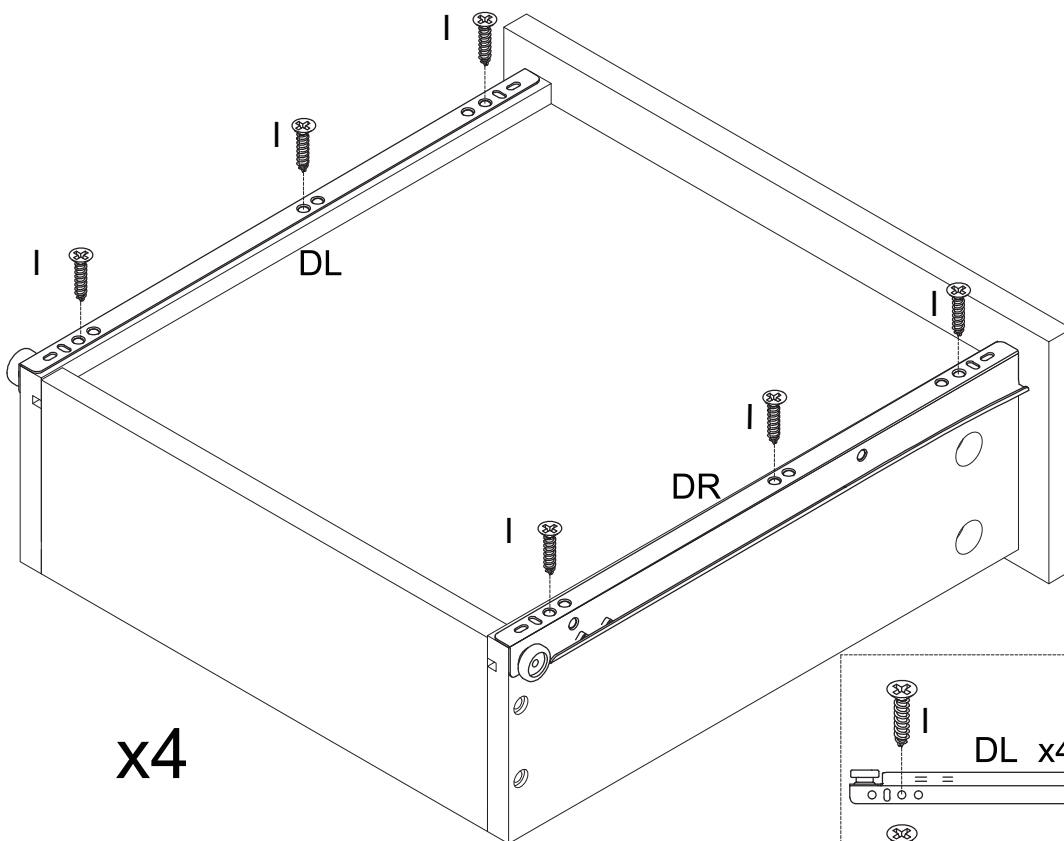
Bx16 



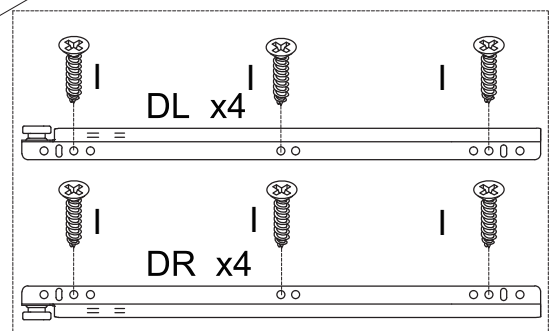
x4

04

-  DRx4
-  DLx4
-  lx24

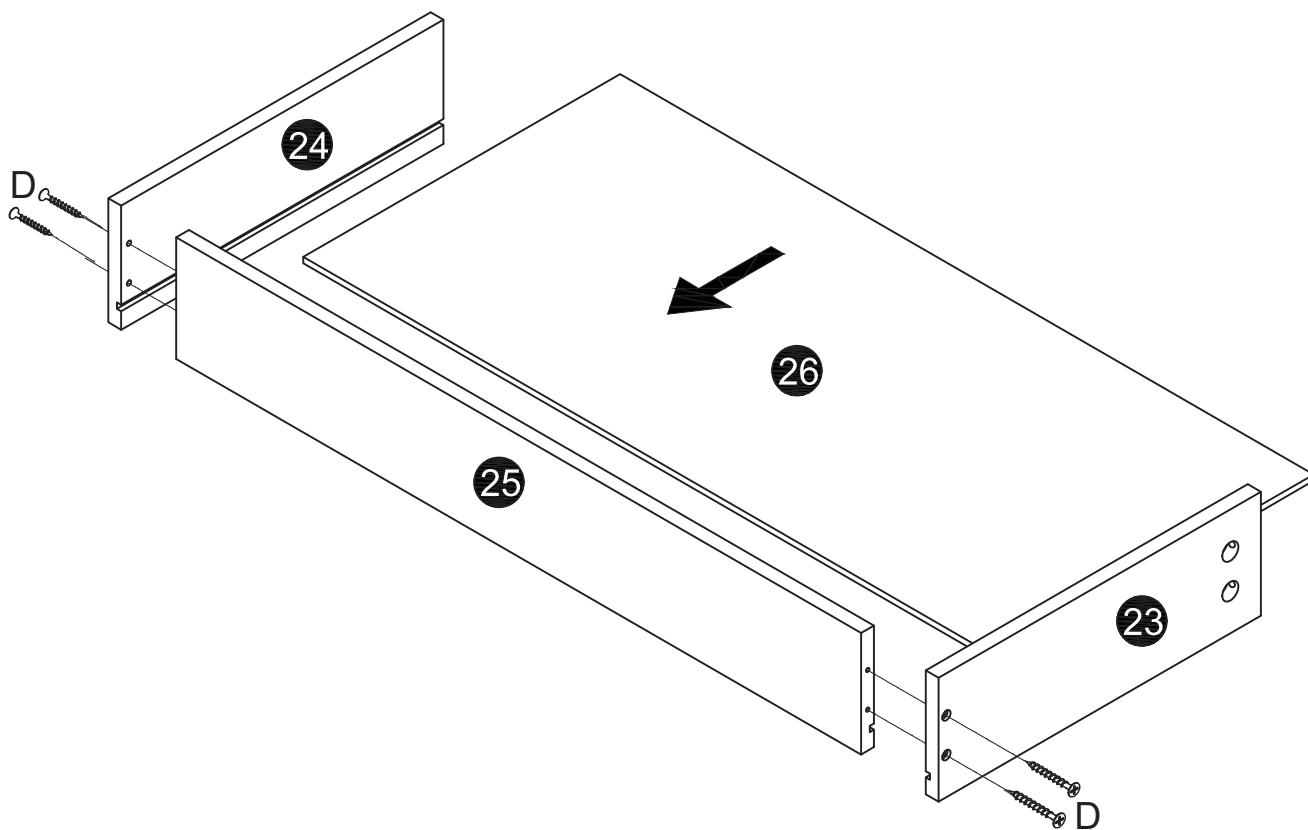


x4



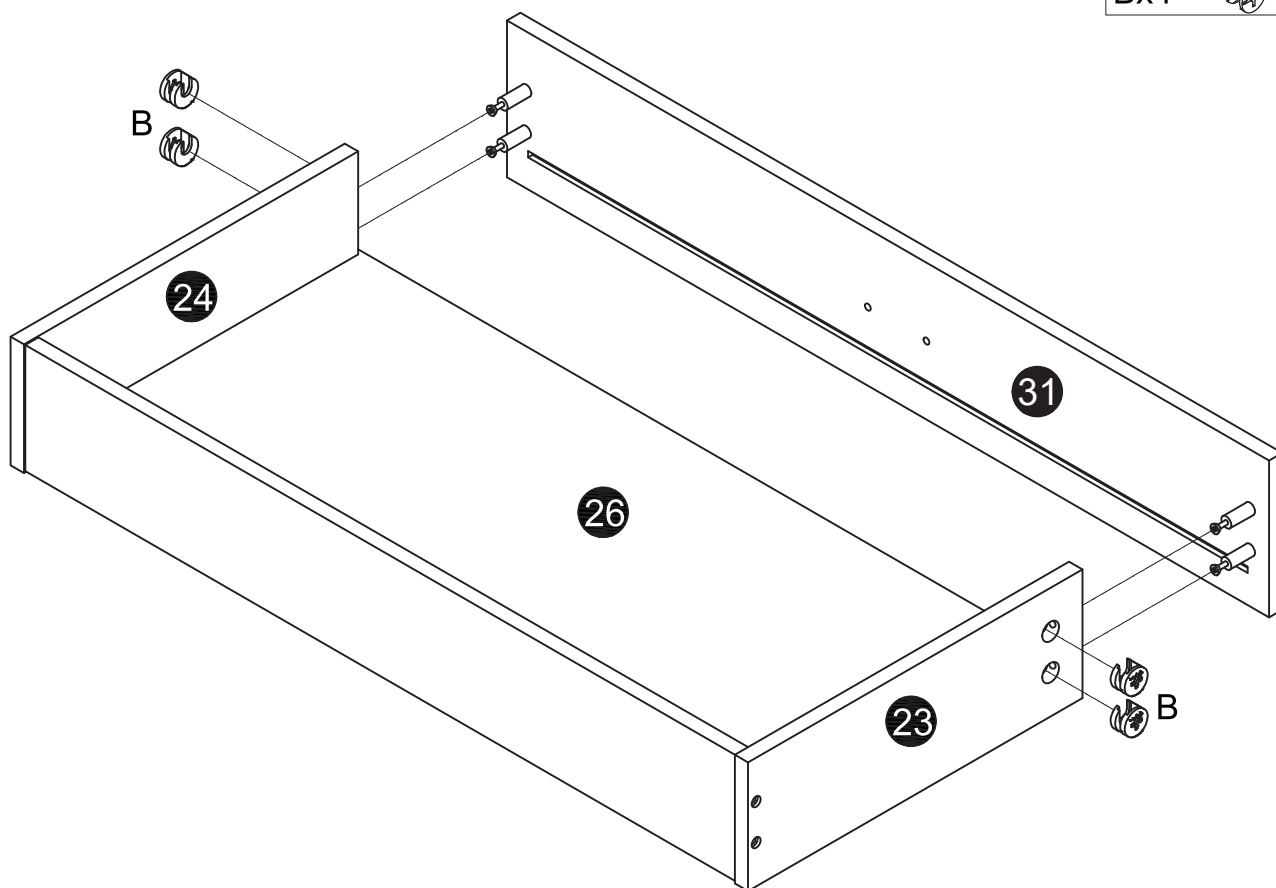
05




Dx4

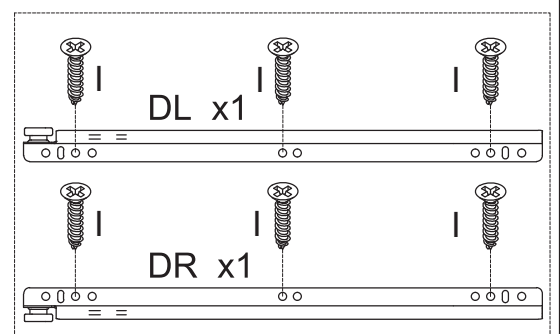
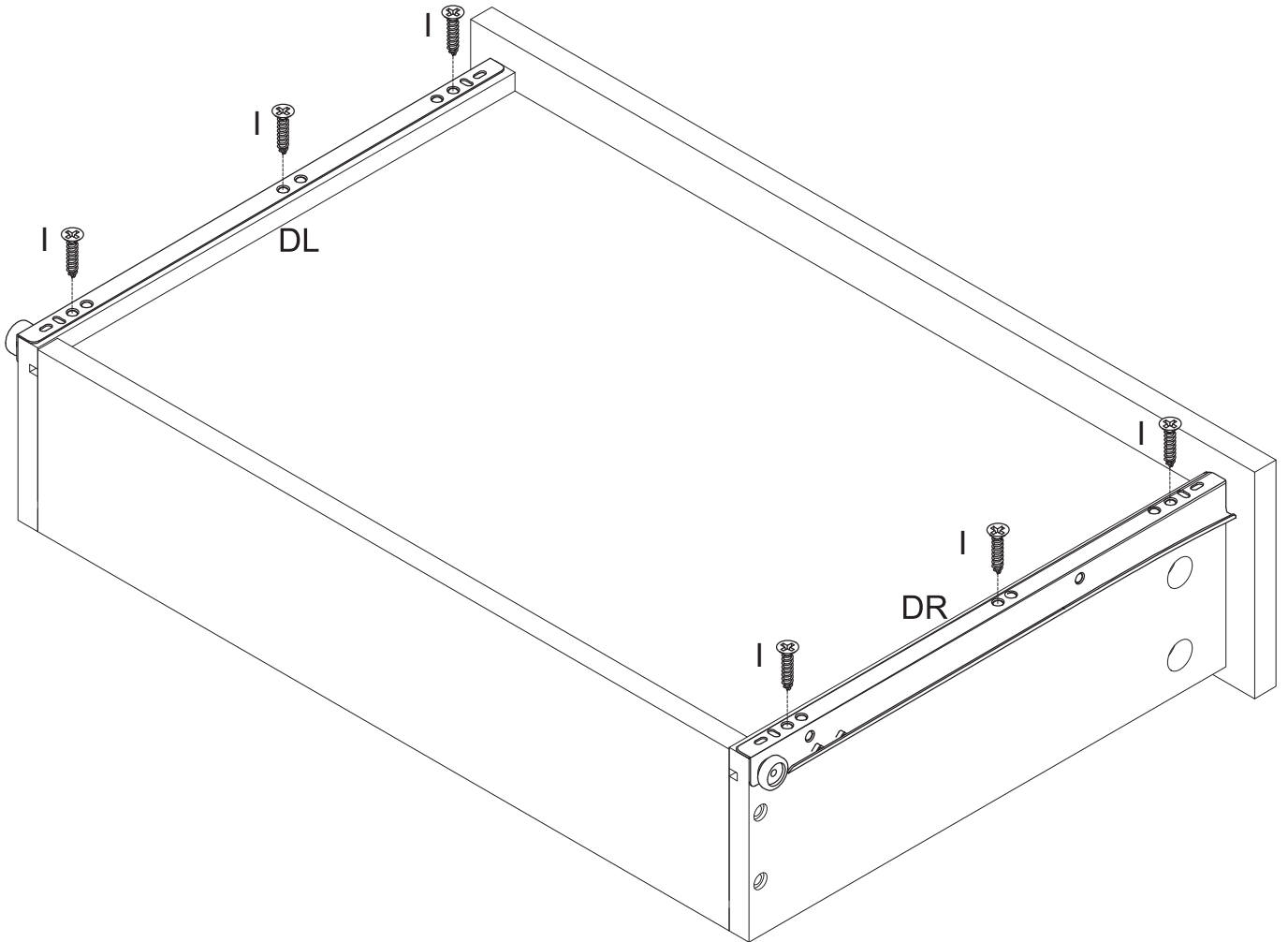


06




Bx4

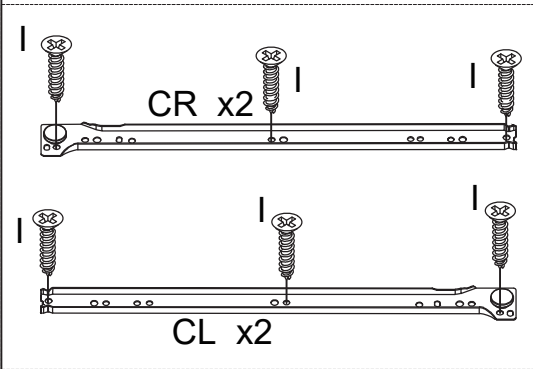
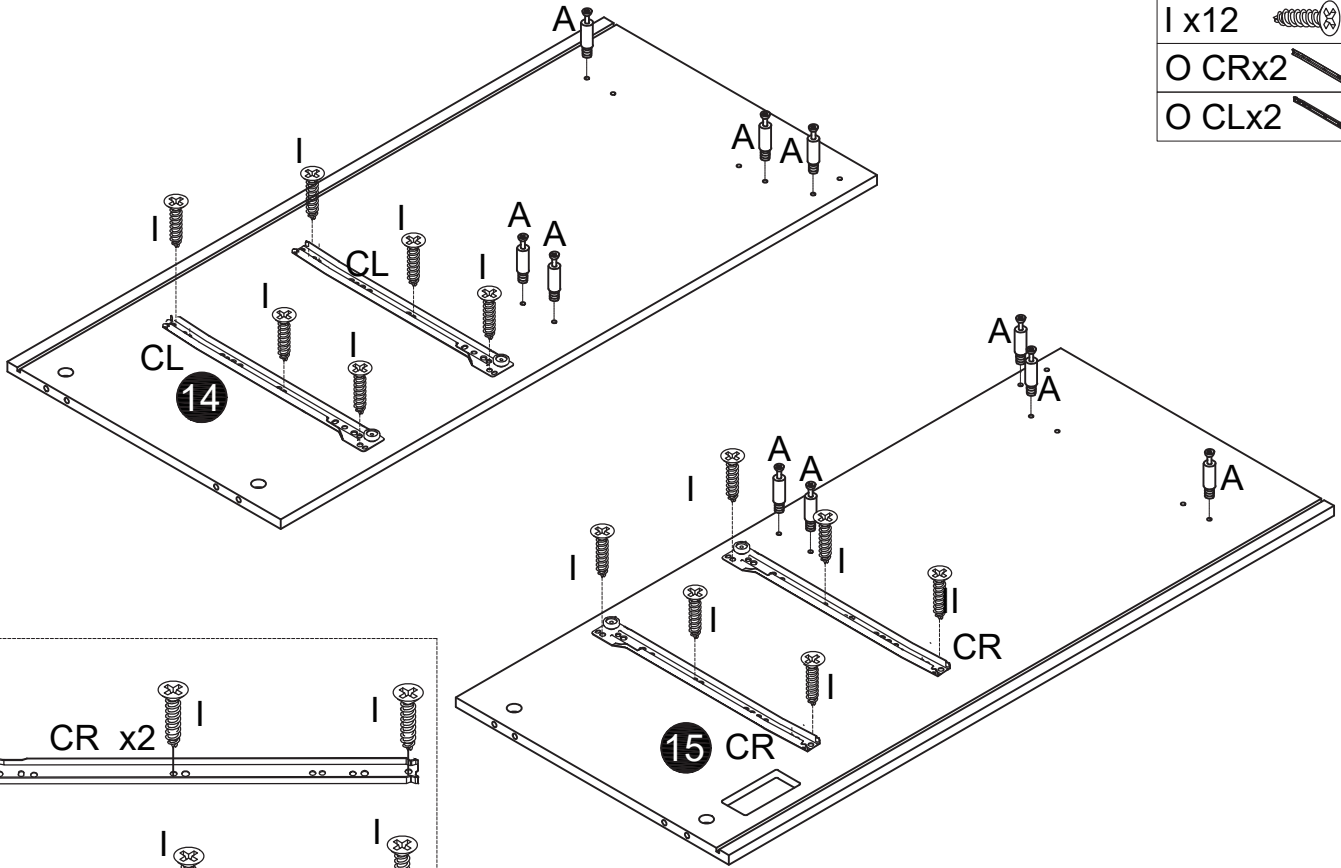


- O DRx1 
- O DLx1 
- Ix6 







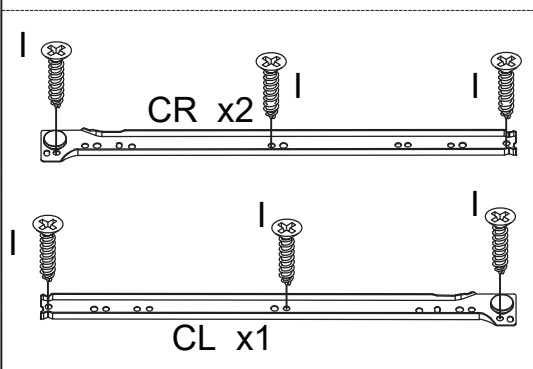
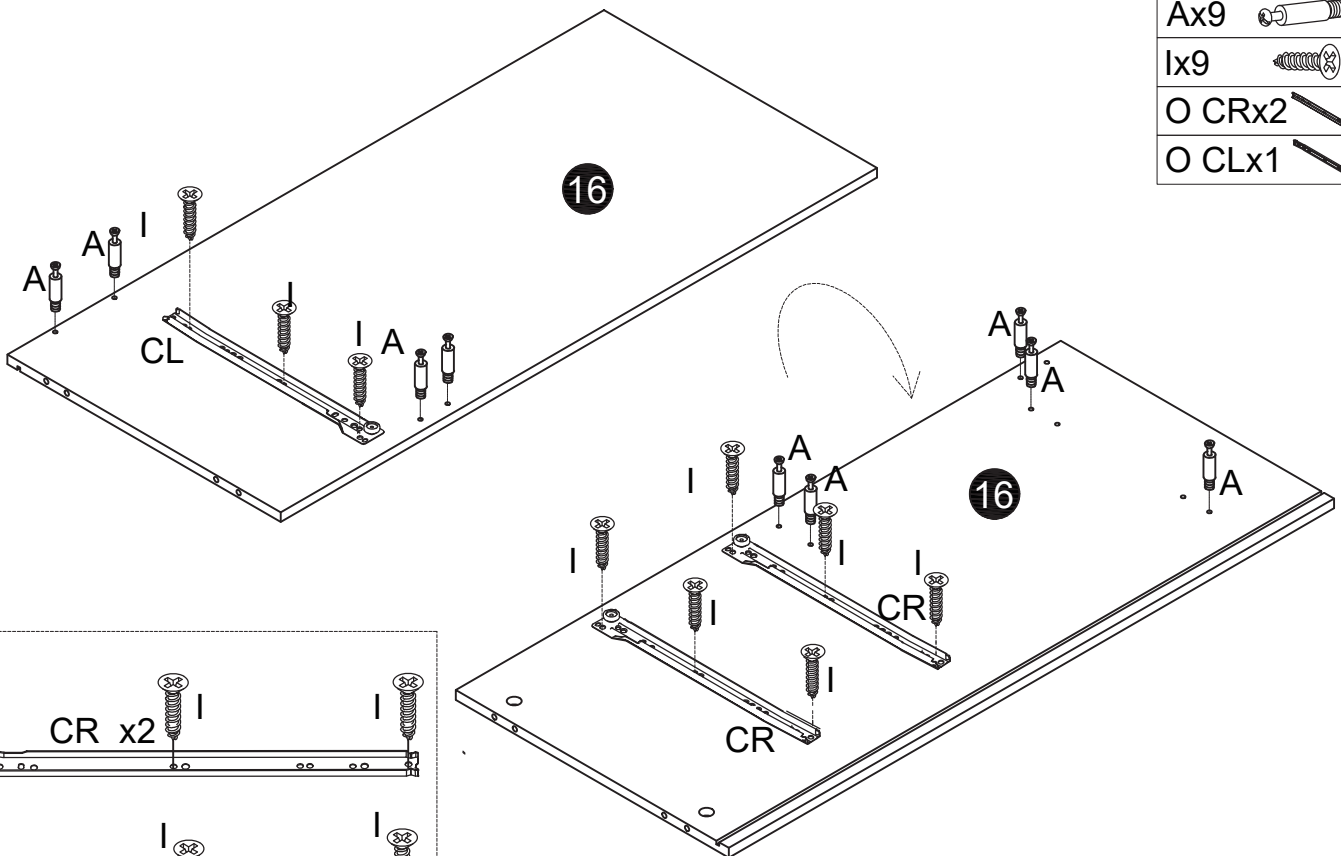
08

- Ax10 
- I x12 
- O CRx2 
- O CLx2 









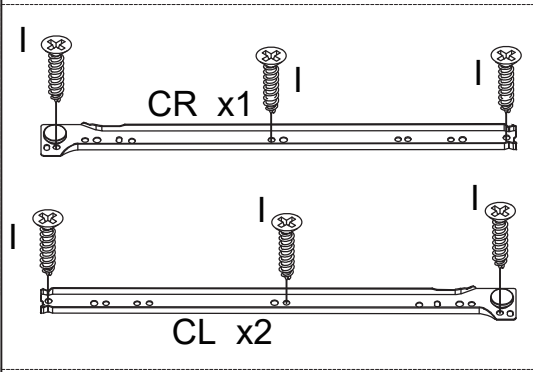
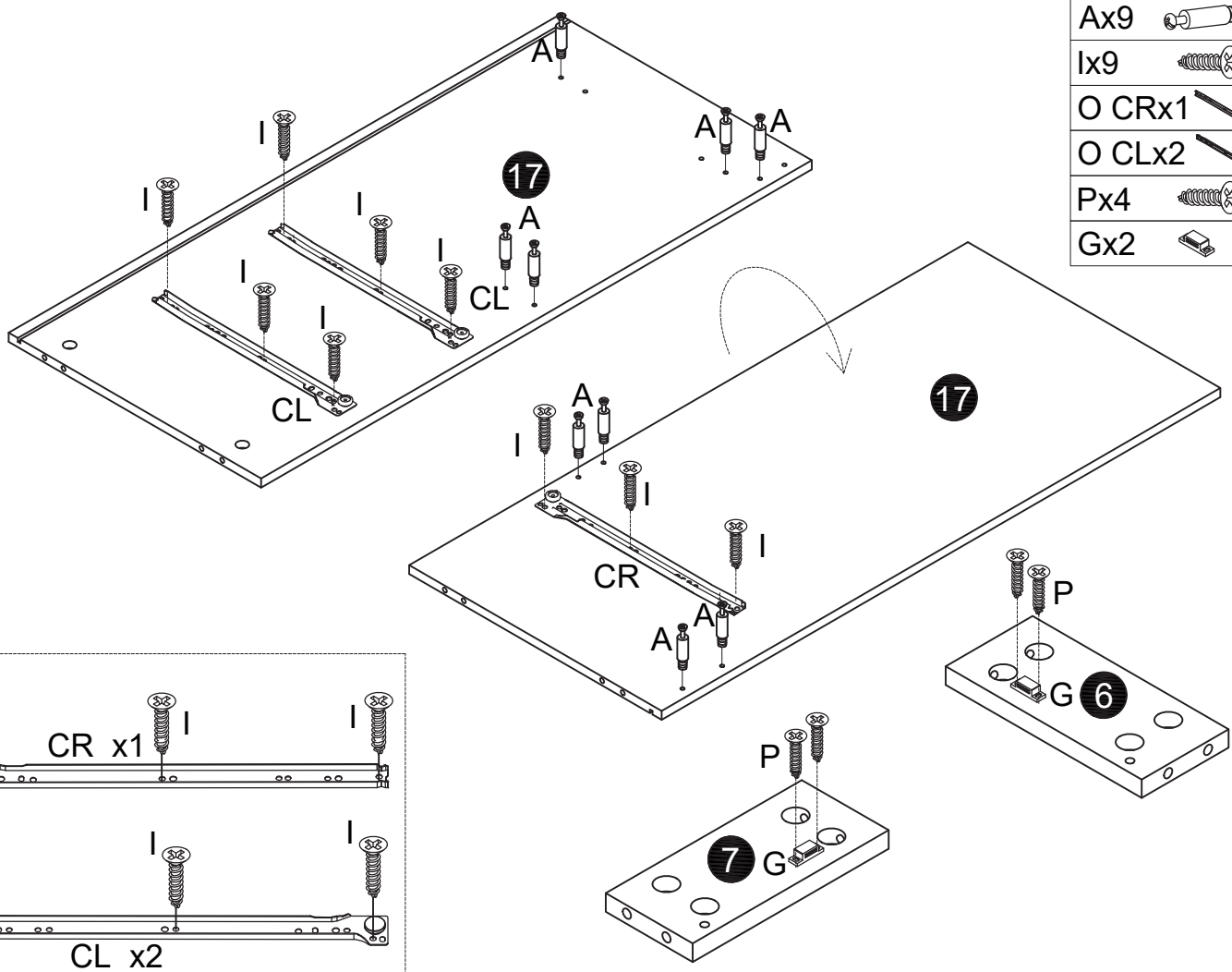
09

- Ax9 
- I x9 
- O CRx2 
- O CLx1 





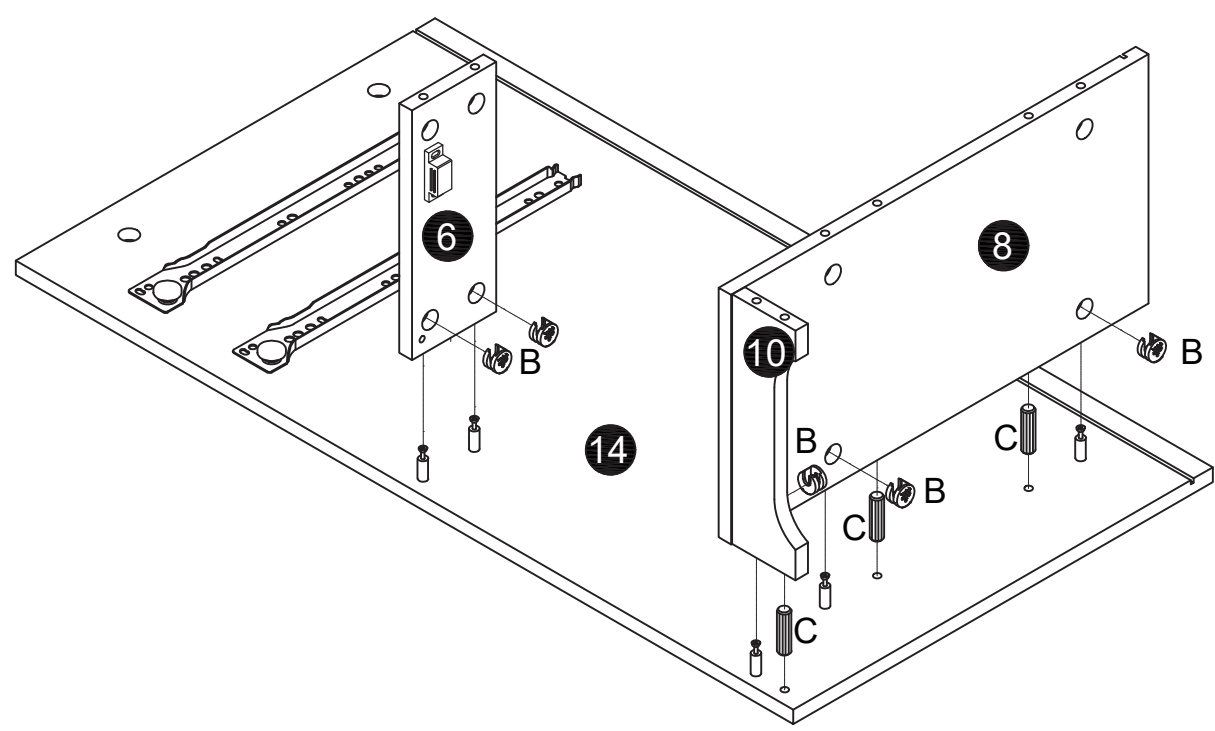
10

- Ax9 
- Ix9 
- O CRx1 
- O CLx2 
- Px4 
- Gx2 





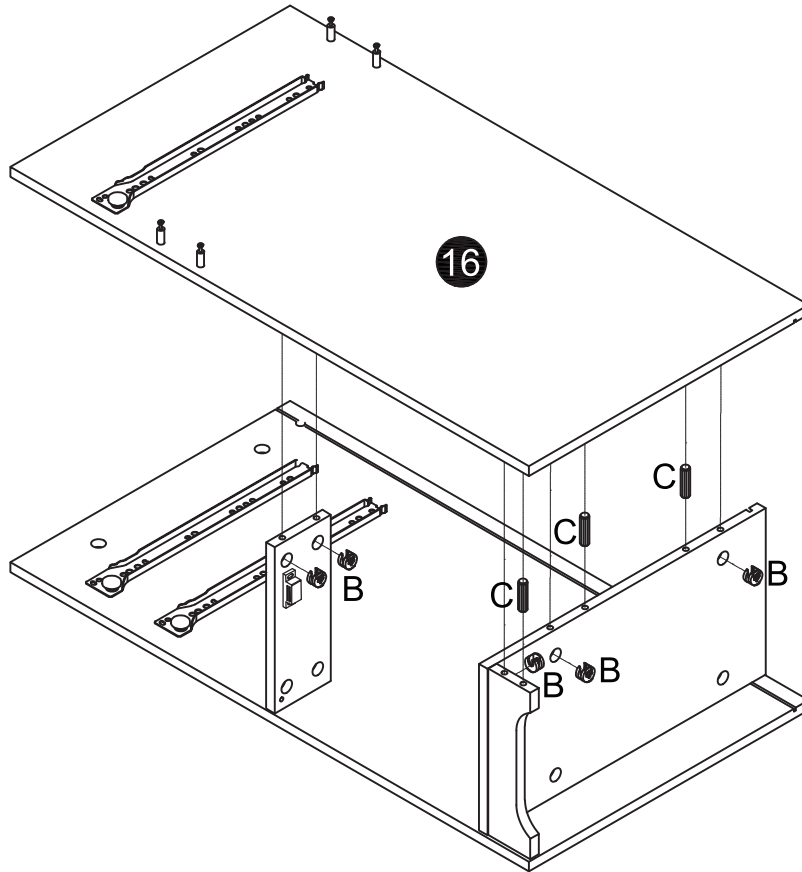
11

- Bx5 
- Cx3 





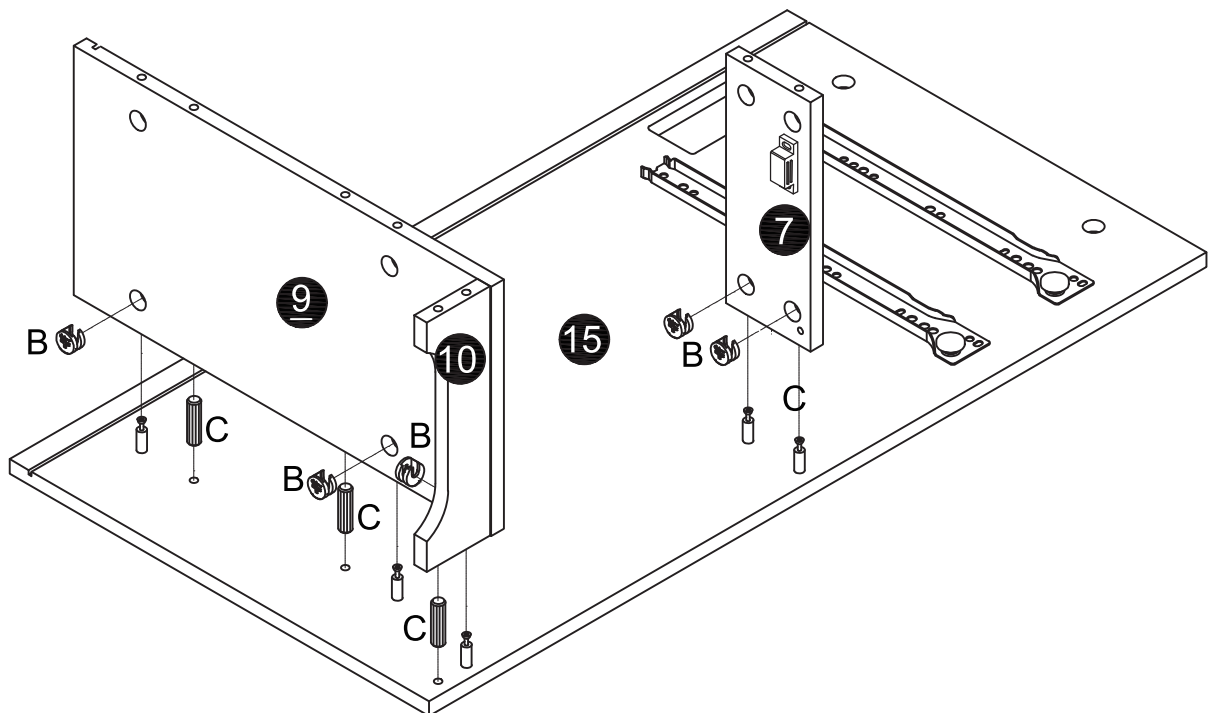
12

Bx5   
Cx3 





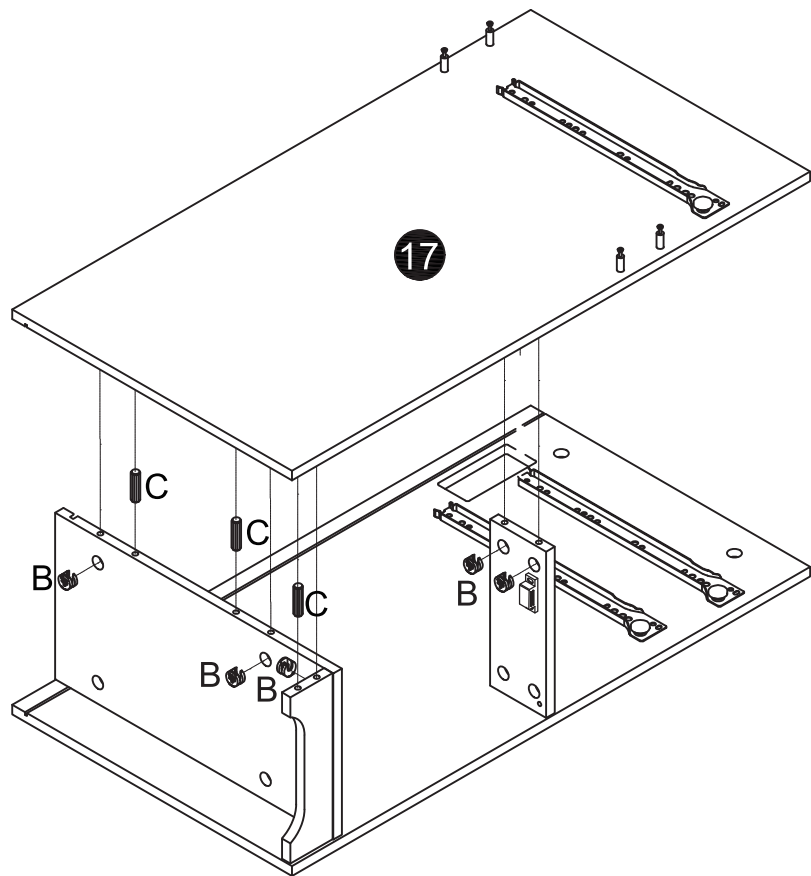
13

Bx5   
Cx3 

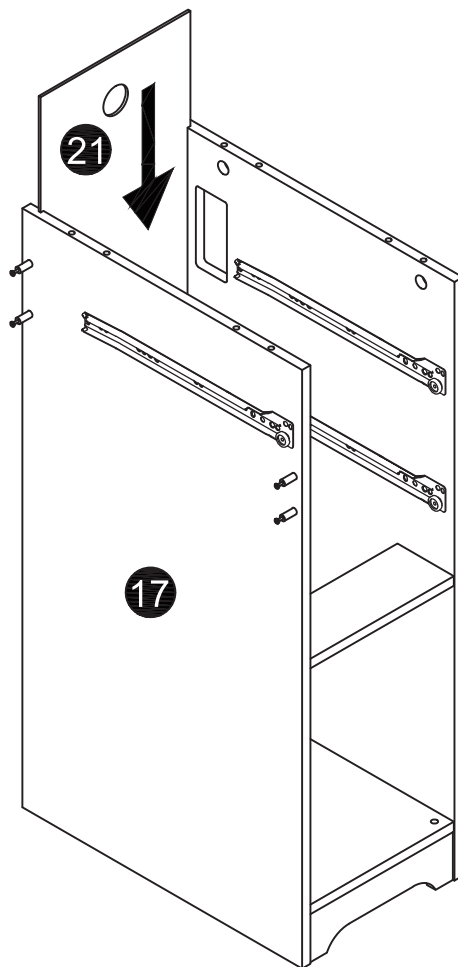
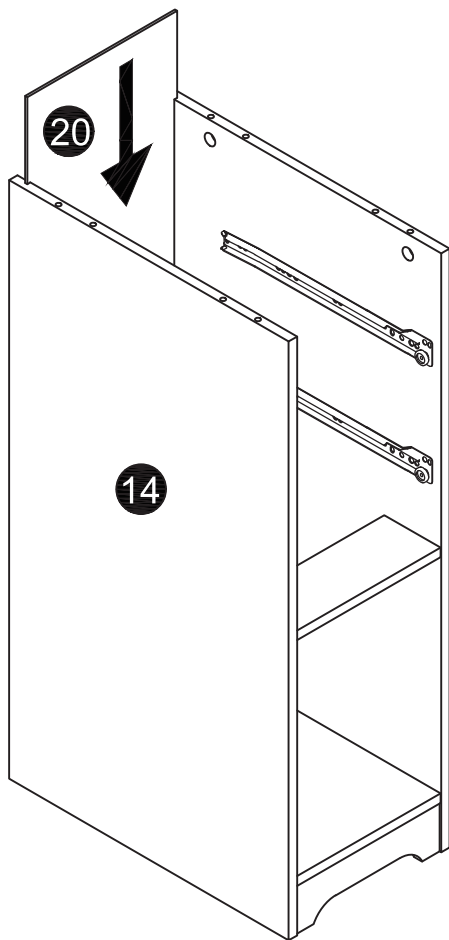


14

Bx5   
Cx3 

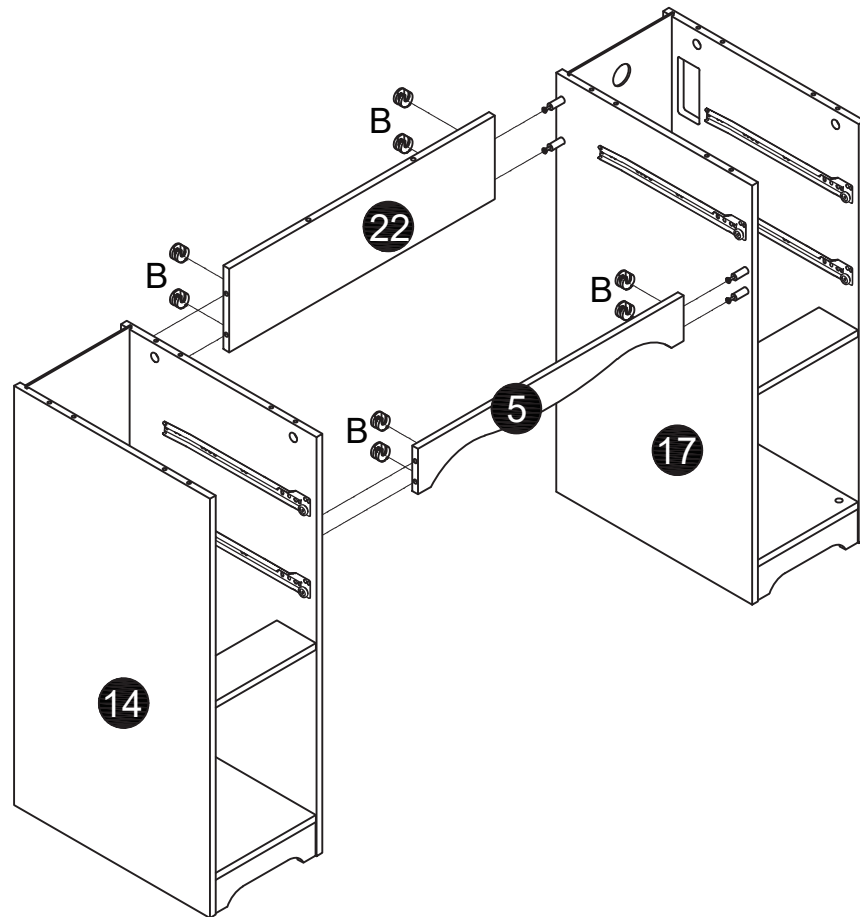


15



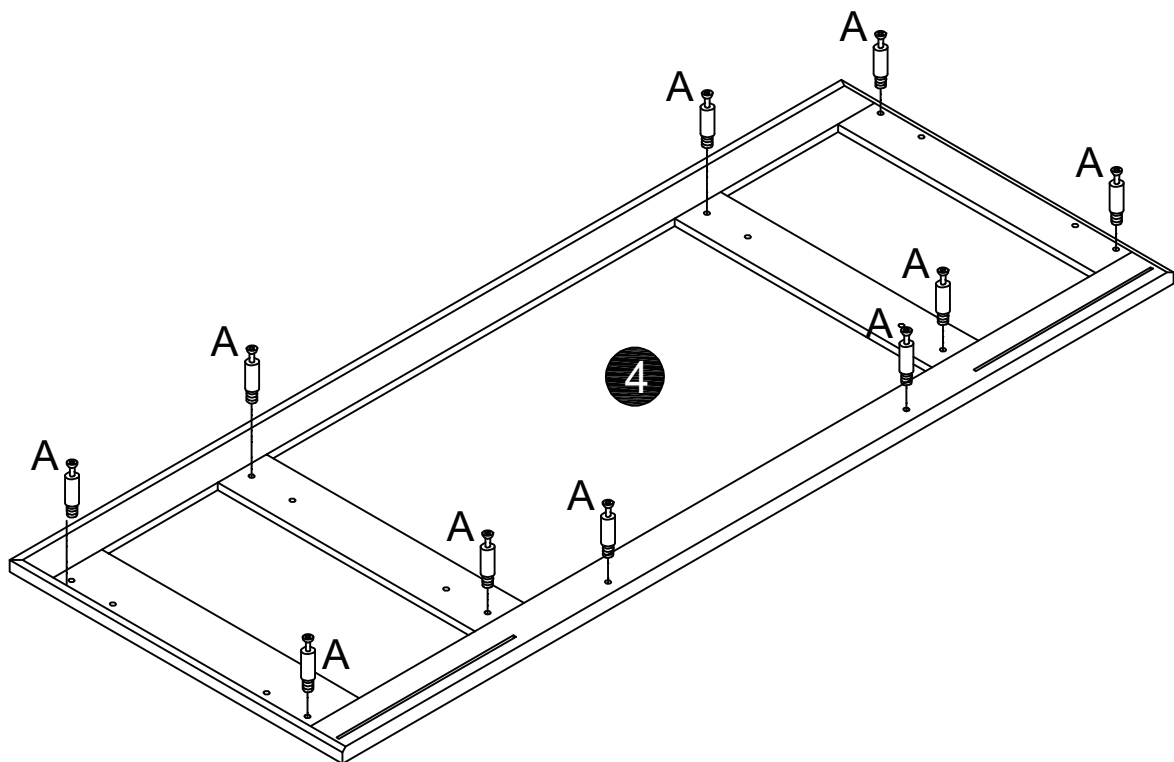
16

Bx8





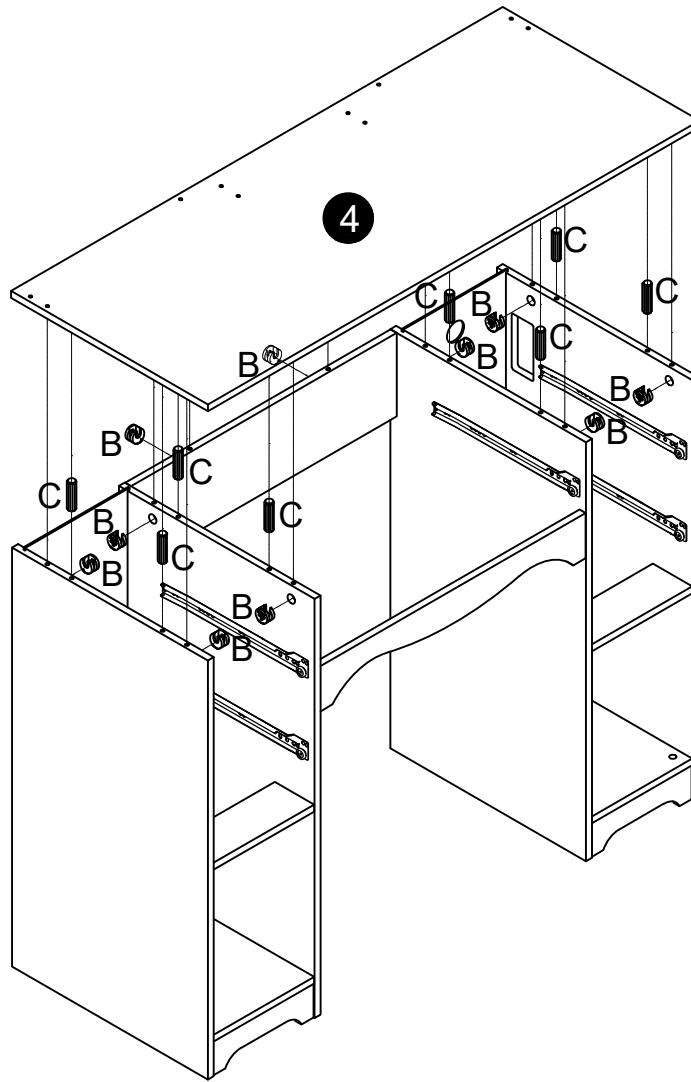
17

Ax10

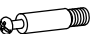


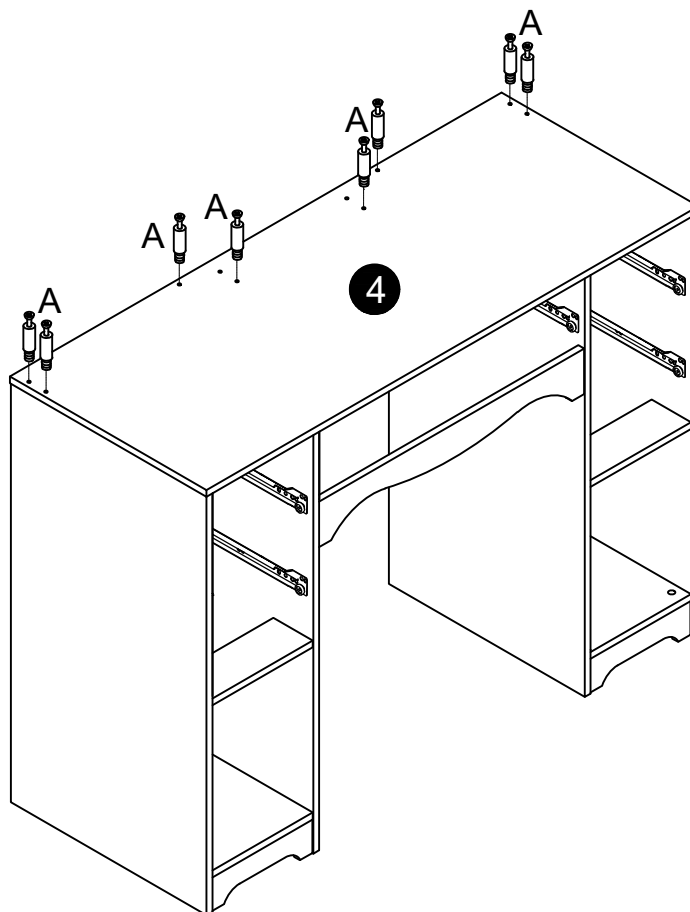
18

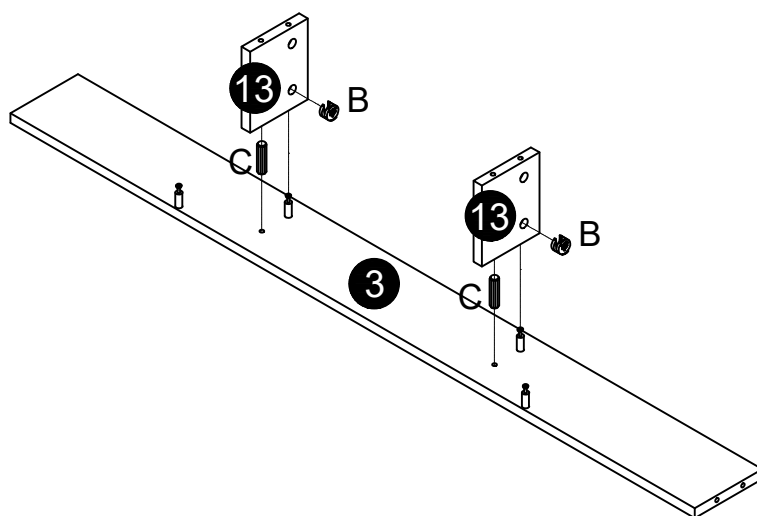
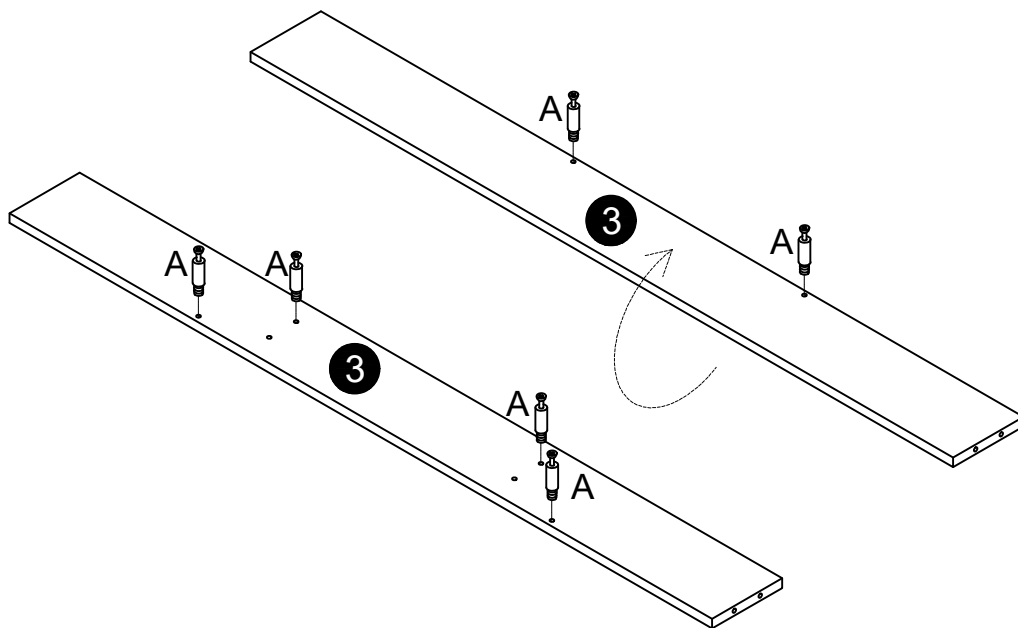
Bx10   
Cx8 

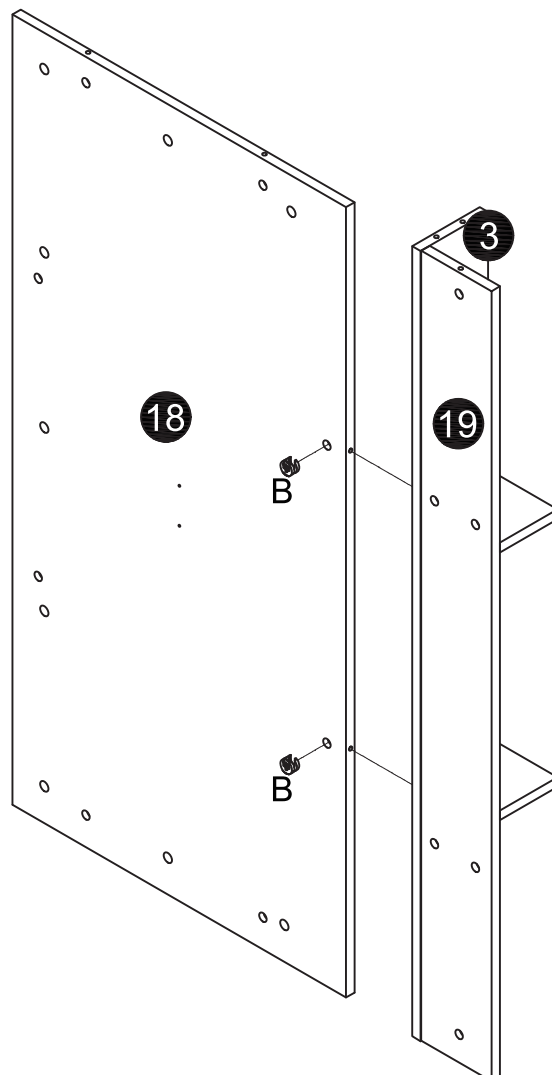
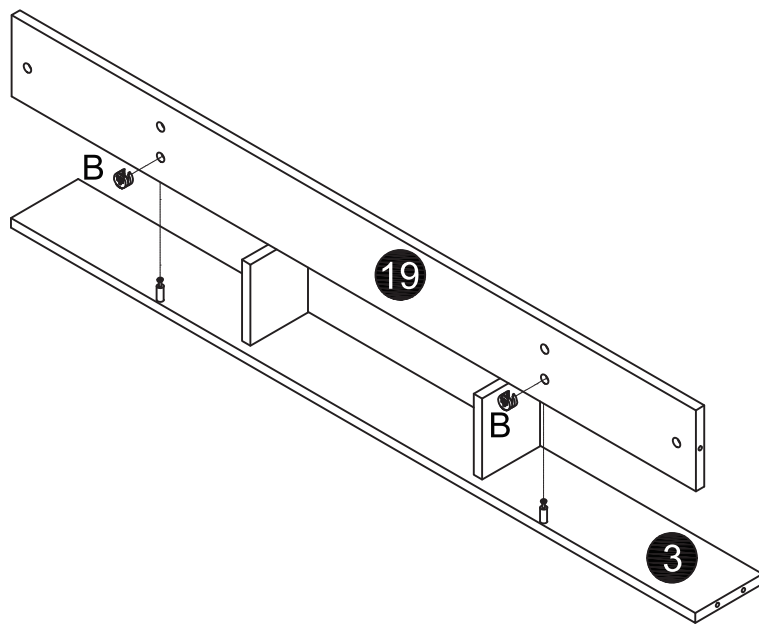


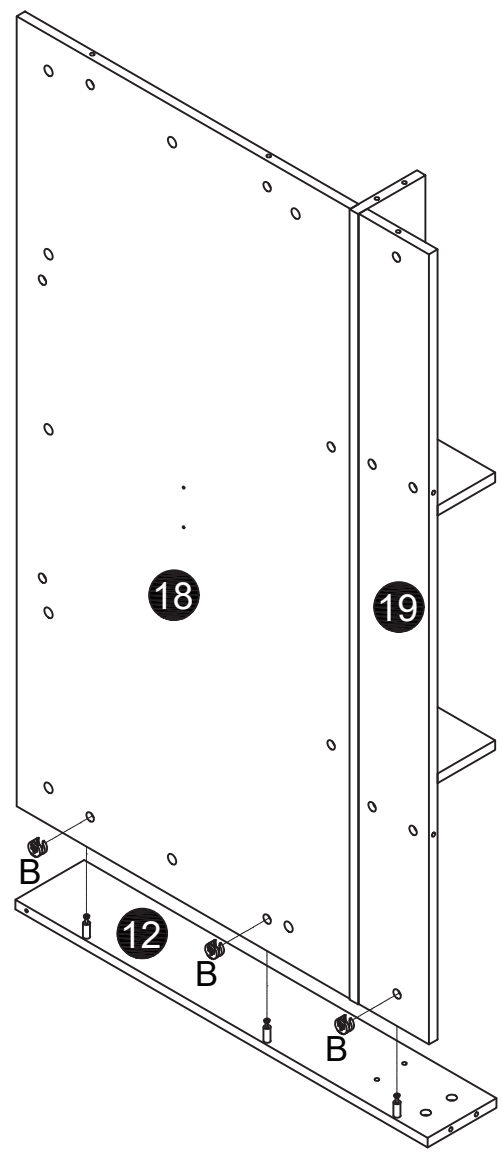
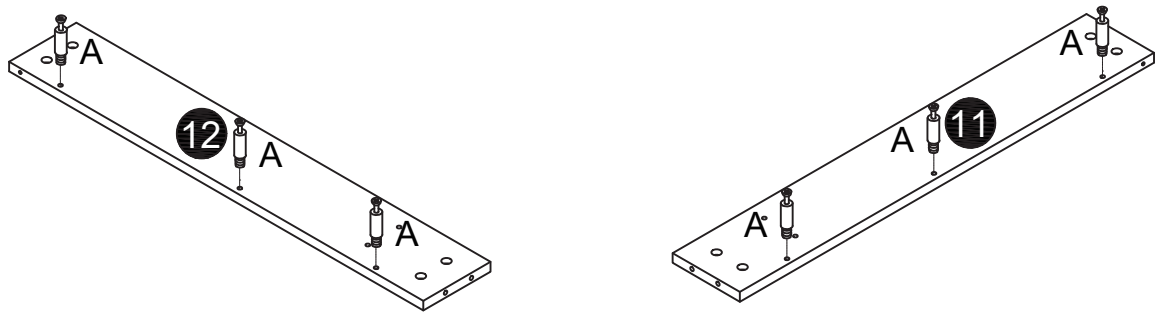
19

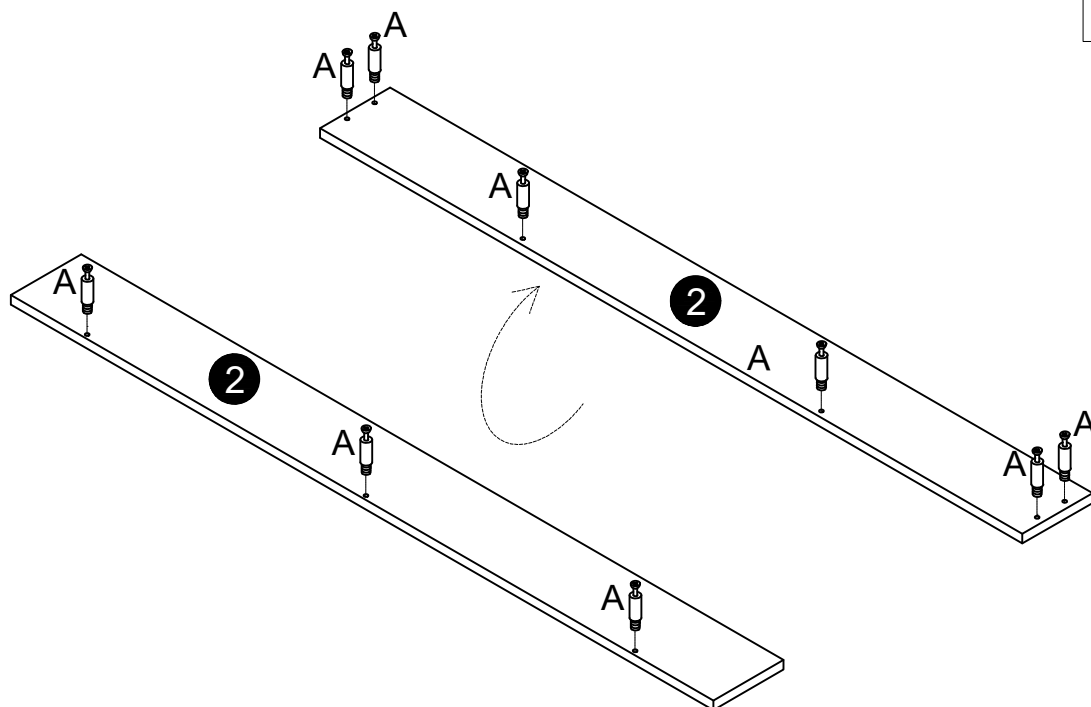
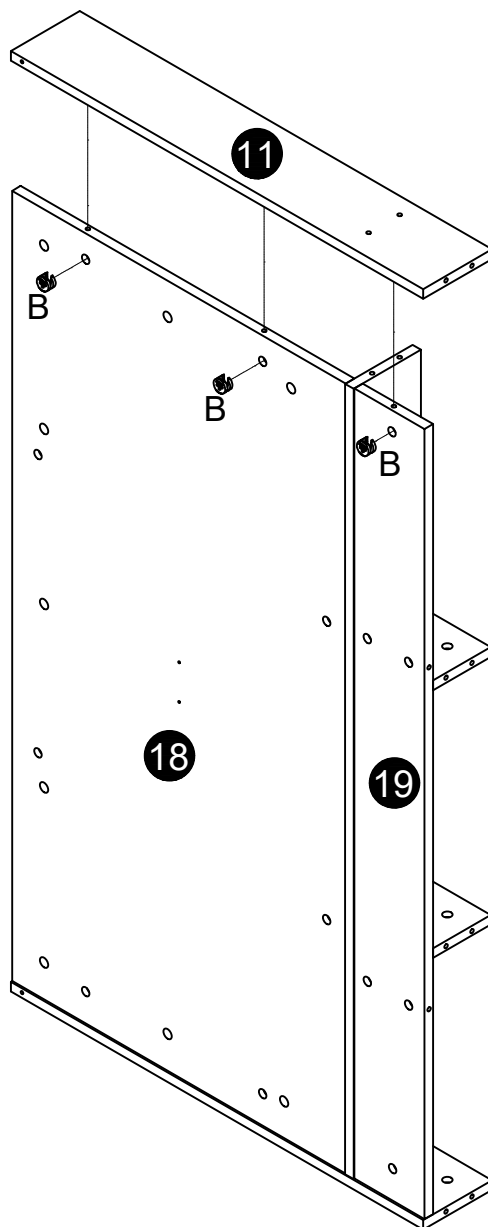
Ax8 

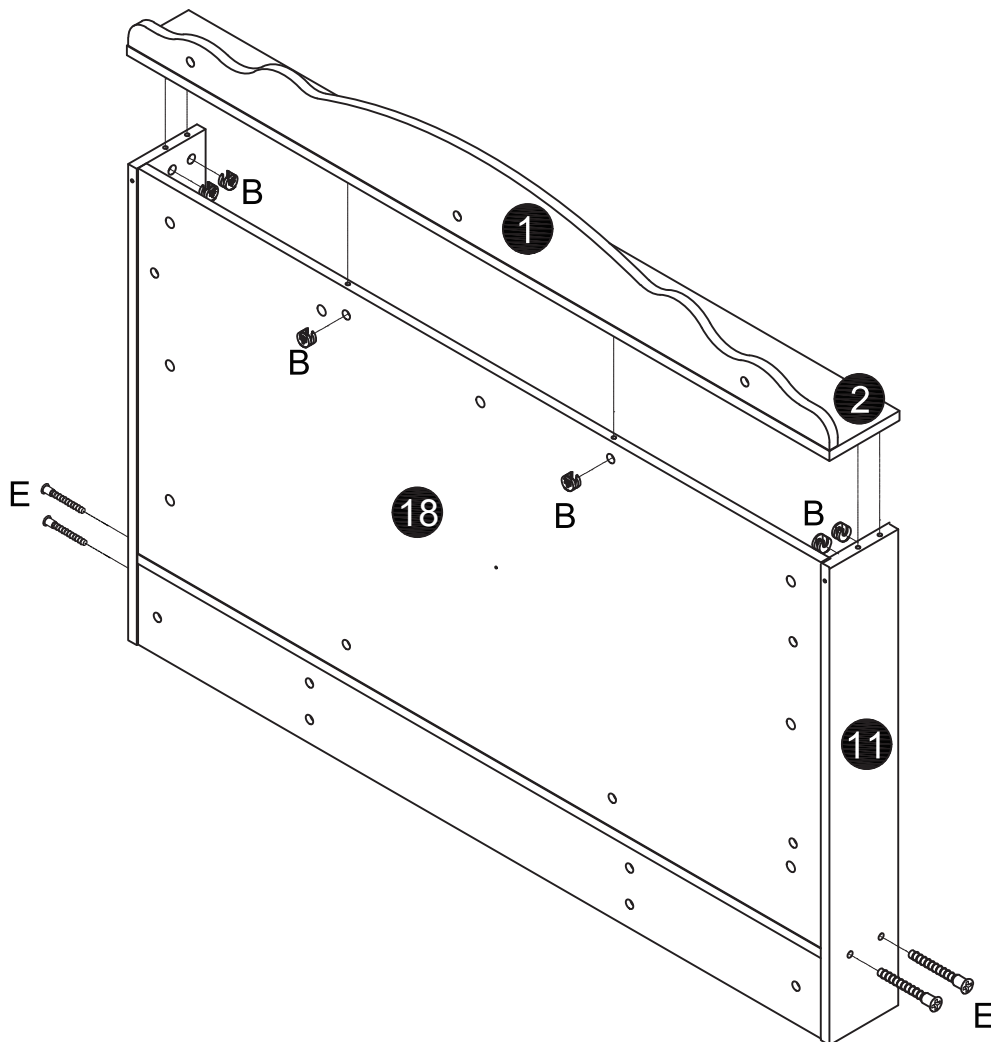
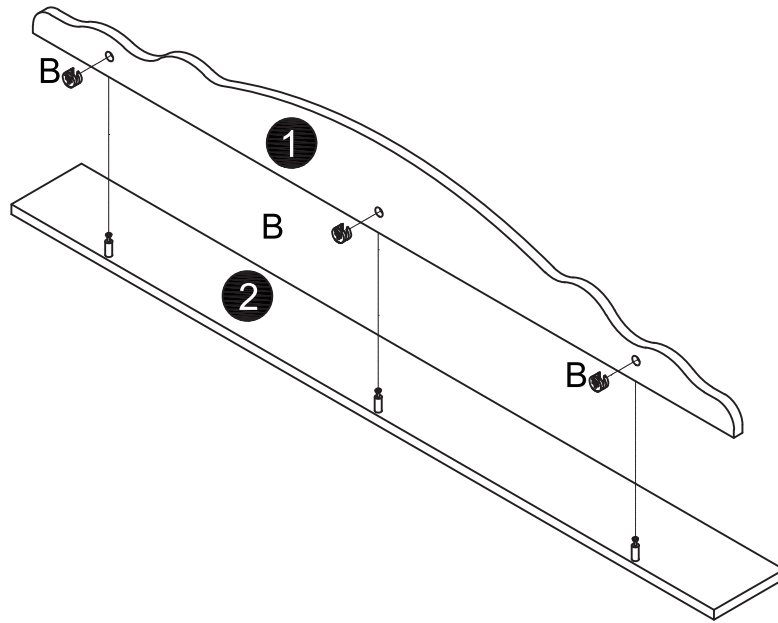


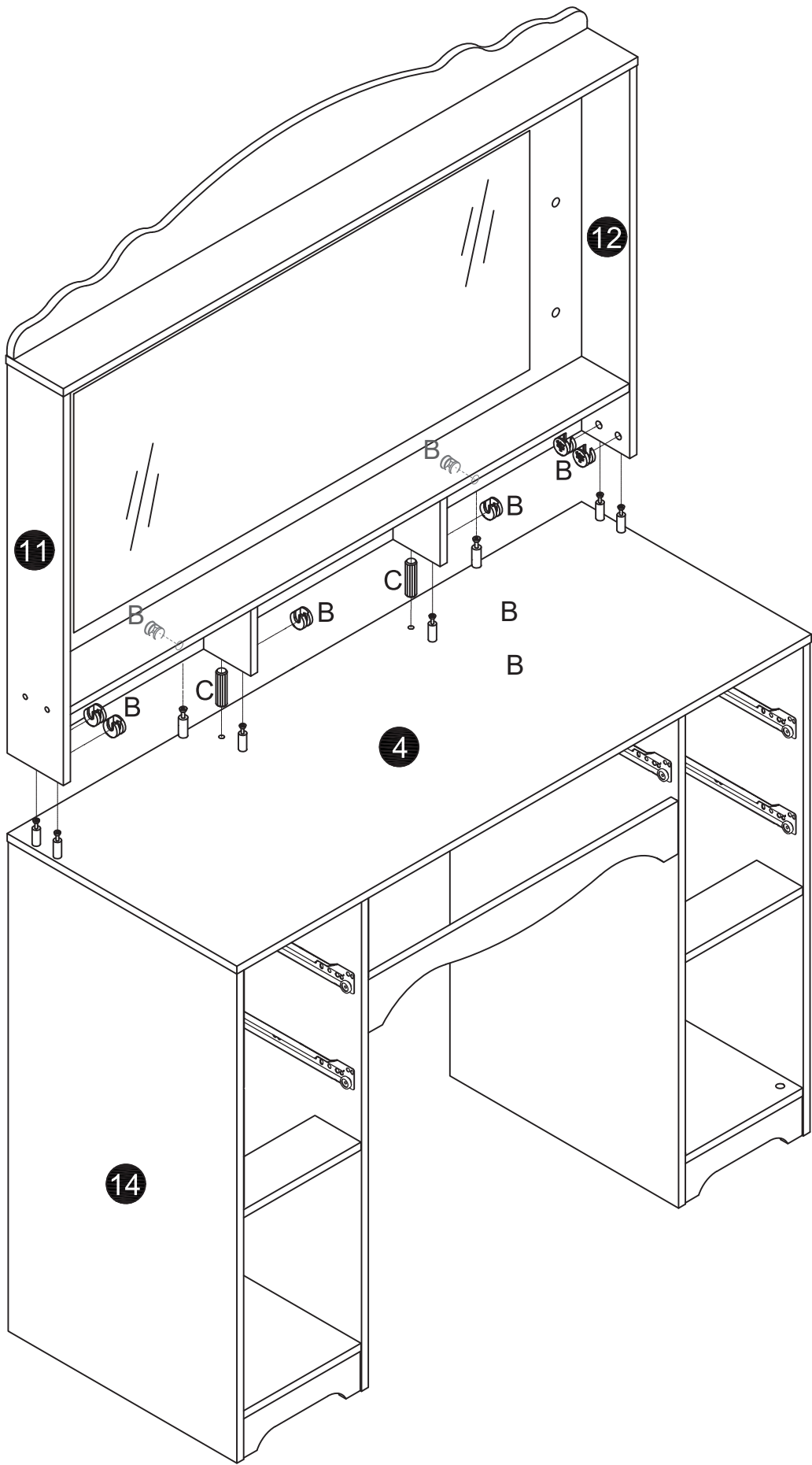


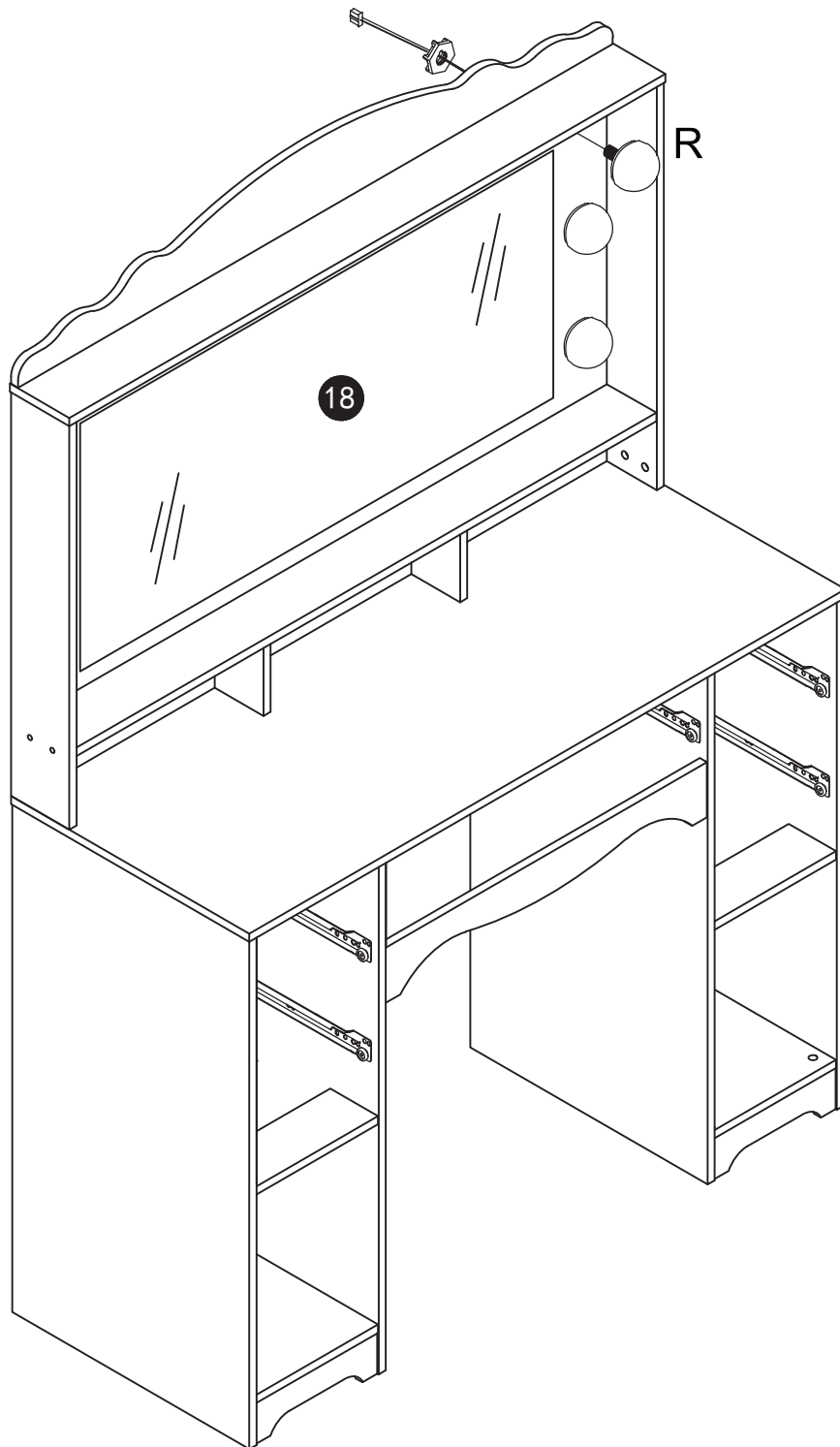
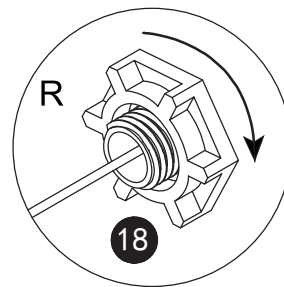
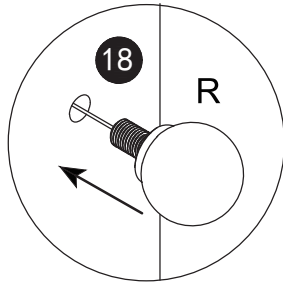









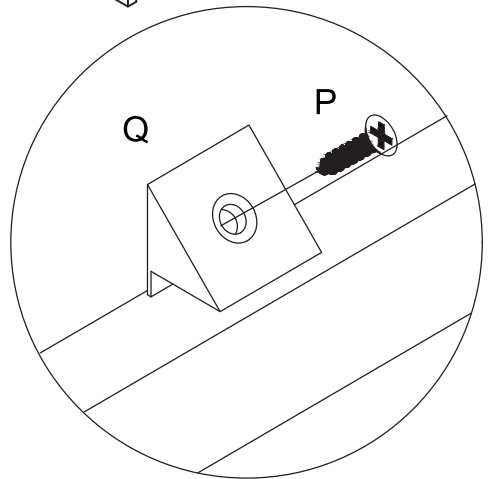
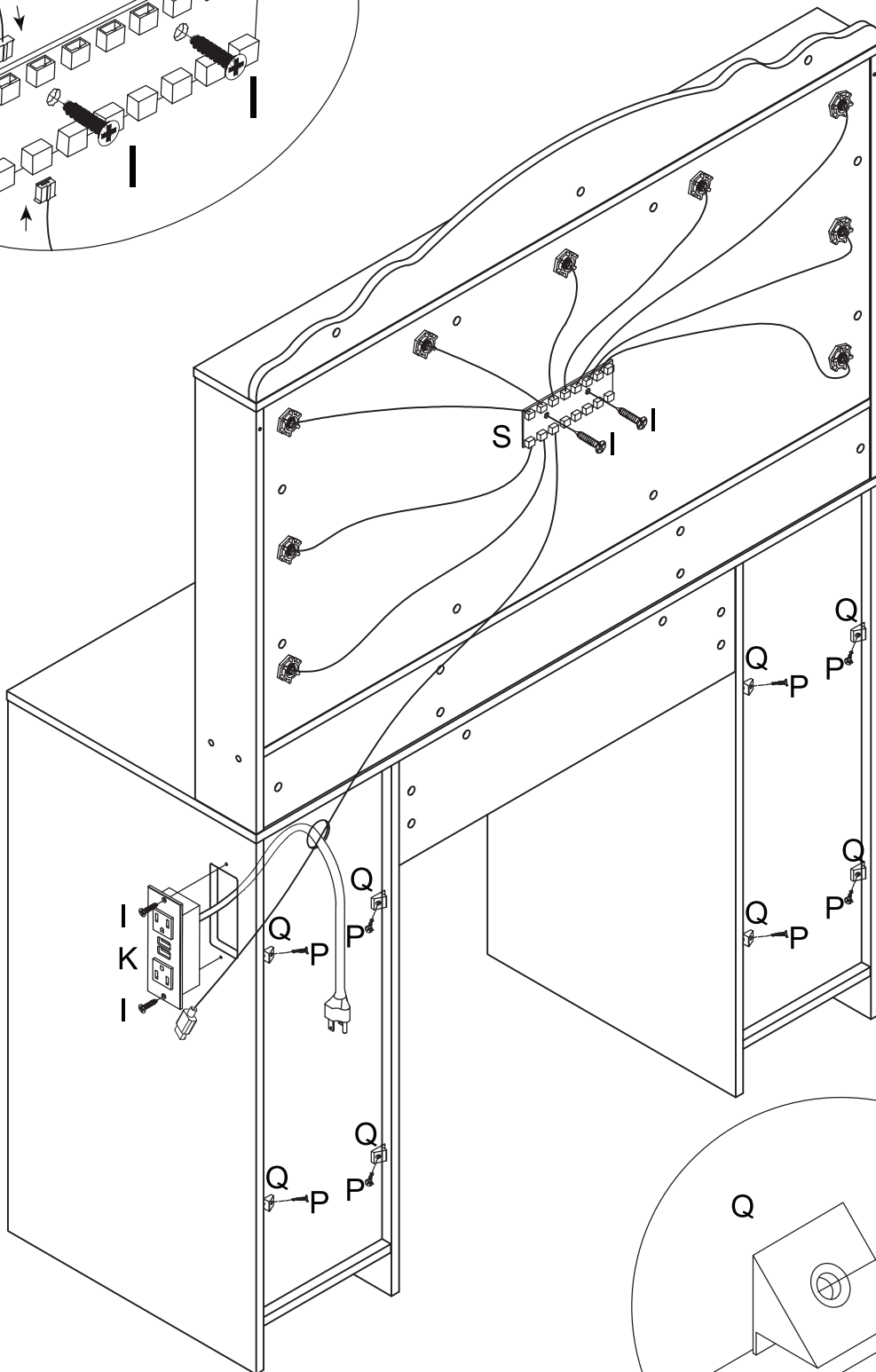
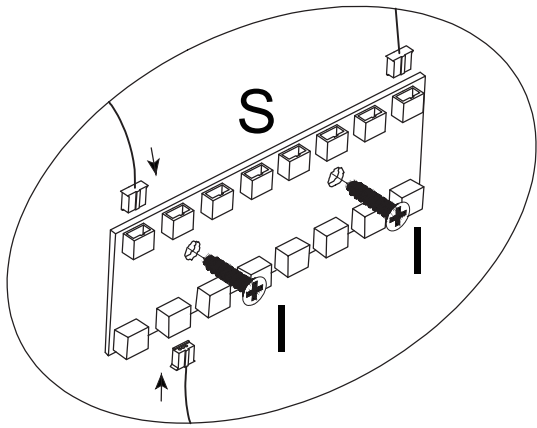




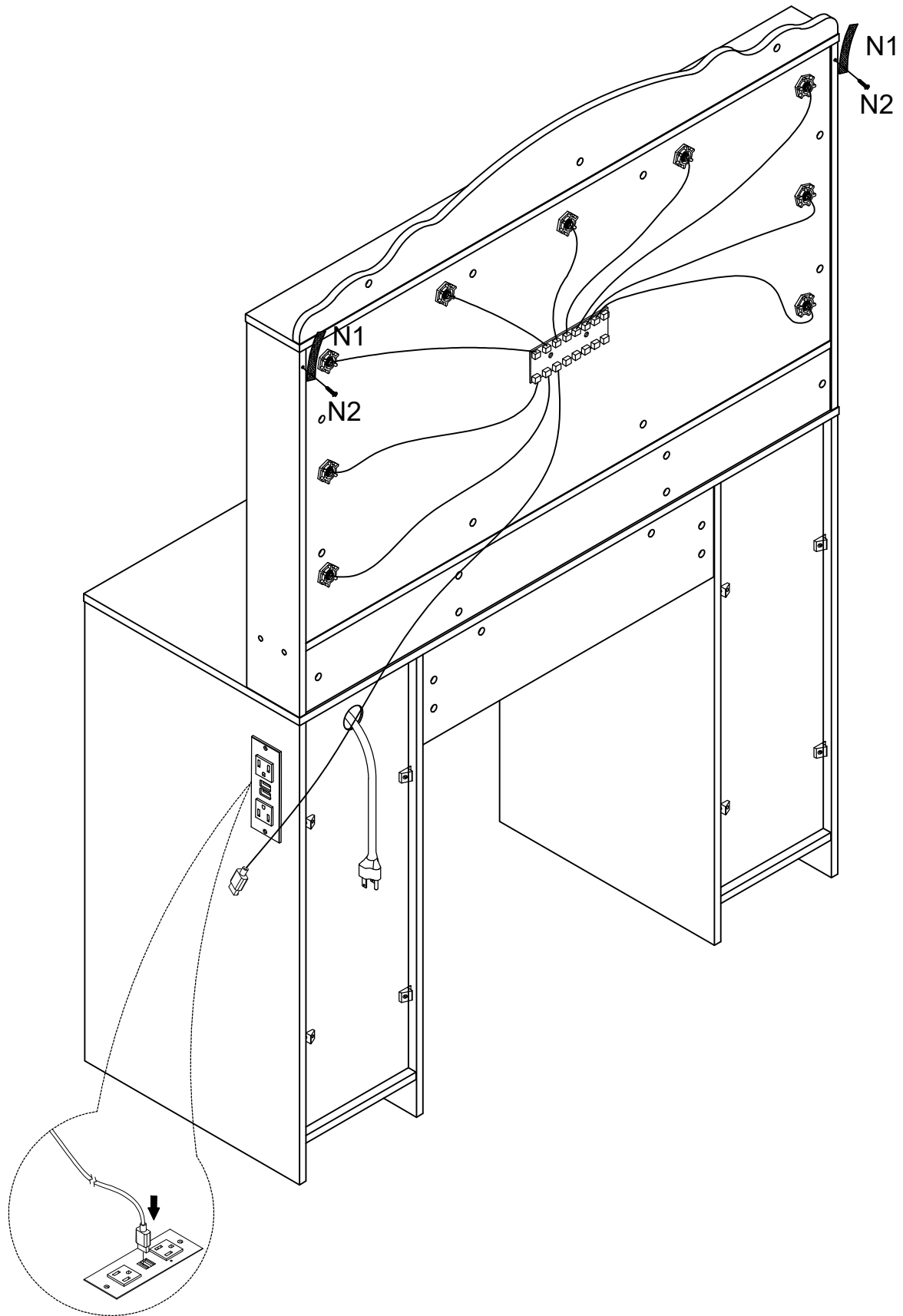




- Ix4 
- Px8 
- Sx1 
- Kx1 
- Qx8 



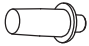



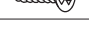
Install backboard nails can effectively enhance the stability of hte product and extend the life span of the product.

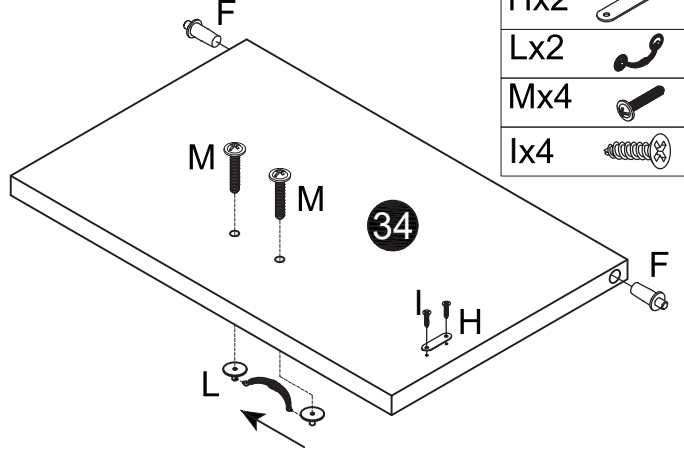
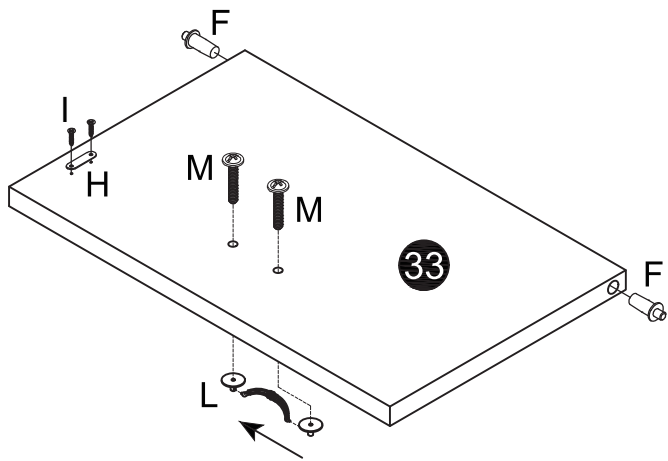


34

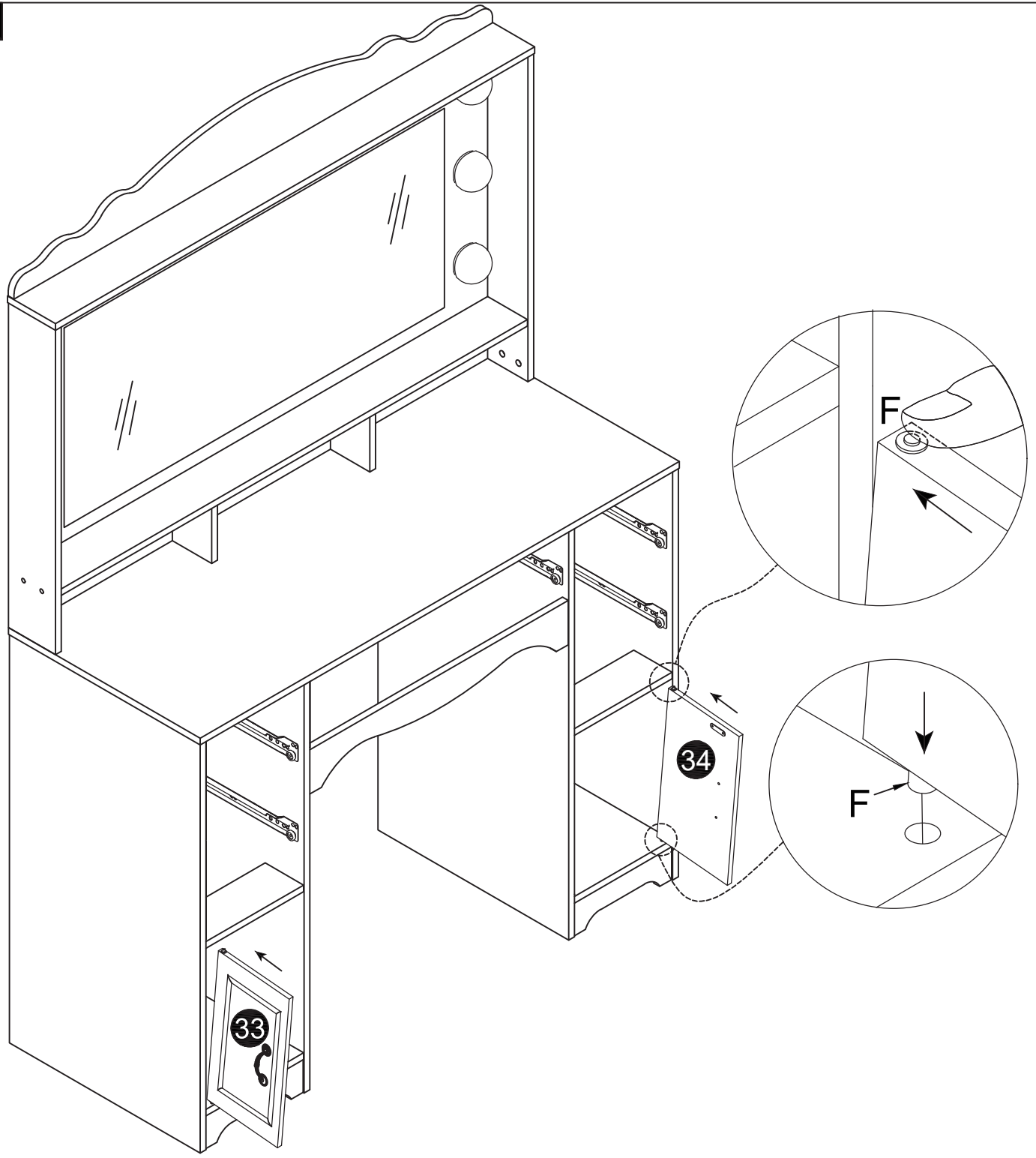
Left door

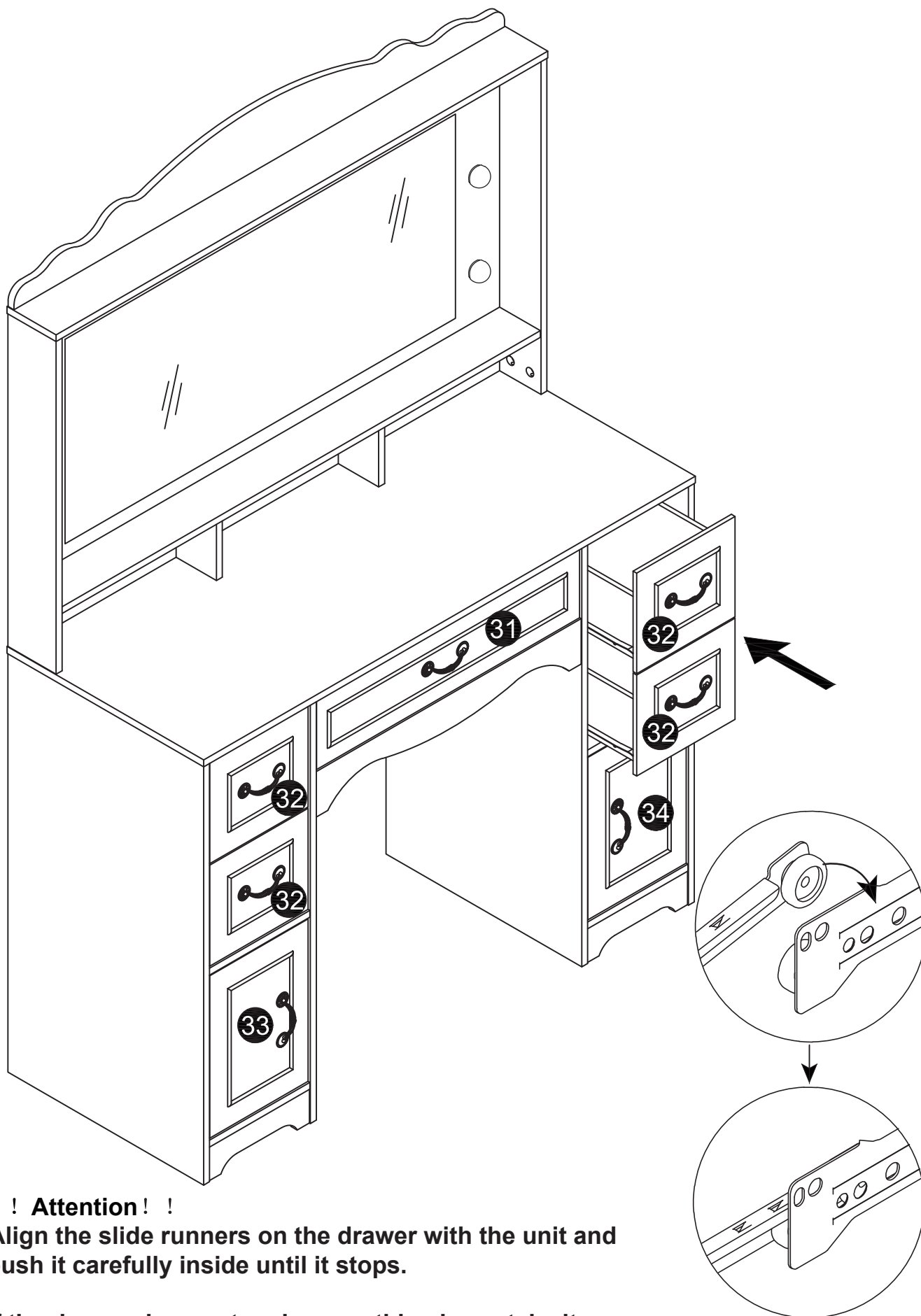
Right door

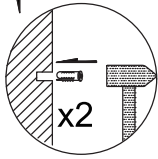
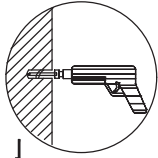
Fx4	
Hx2	
Lx2	
Mx4	
Ix4	



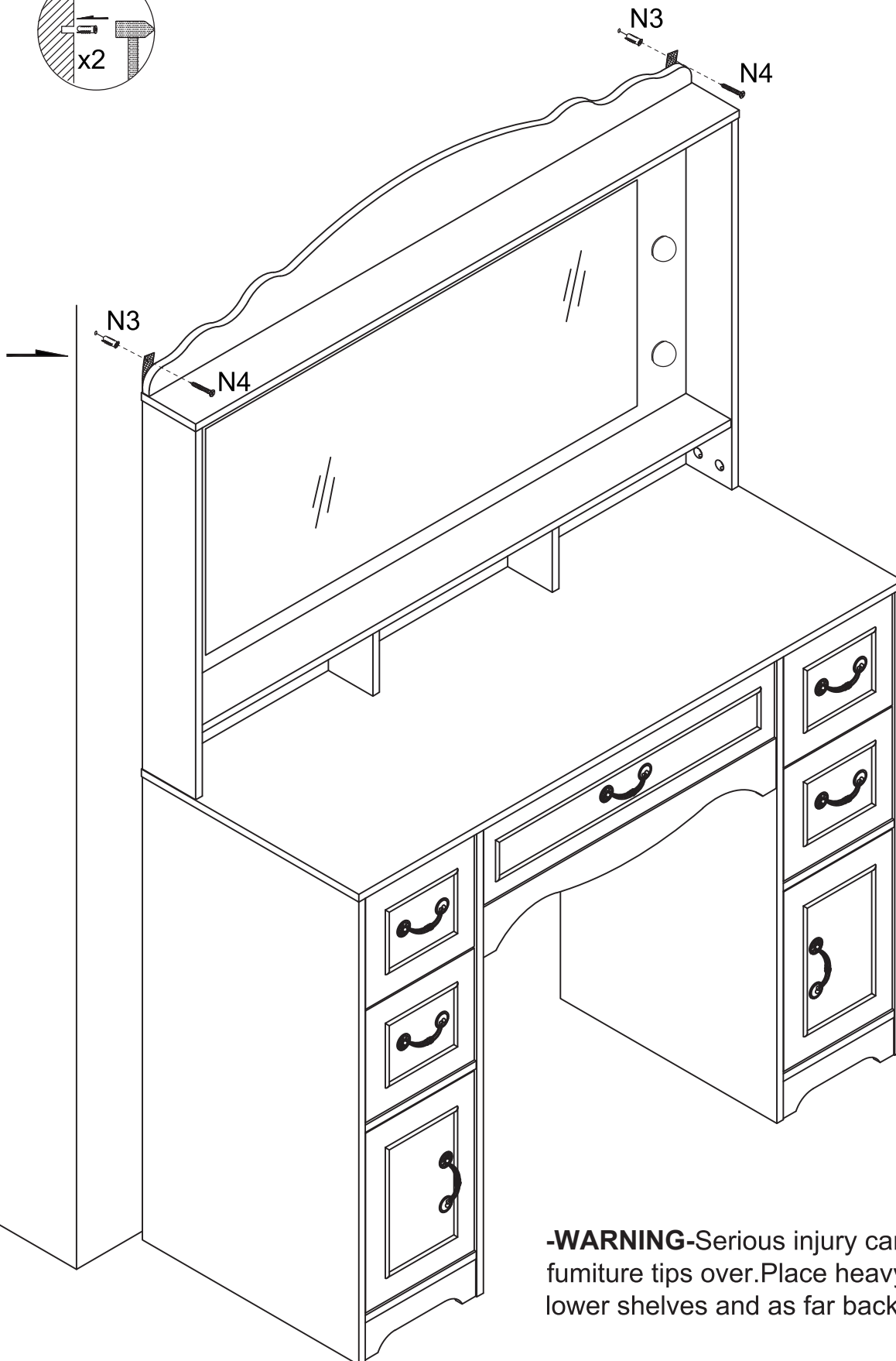
35



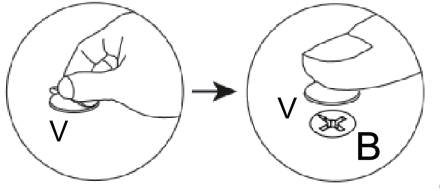


**MANDATORY!**

For safety reasons, we recommend you follow these instructions to install the anti-tipping hardware, when installed properly, this hardware may prevent the unit from tipping unexpectedly.



**-WARNING-** Serious injury can occur if furniture tips over. Place heavy items on lower shelves and as far back as possible.



At last, V covers B for added aesthetics,  
or don't use it.

