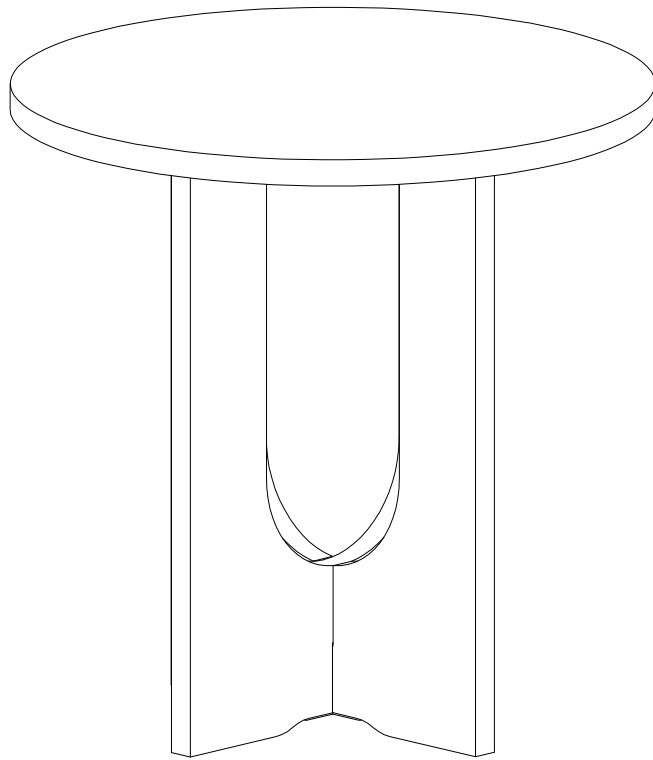
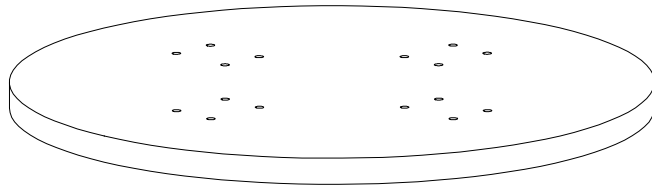


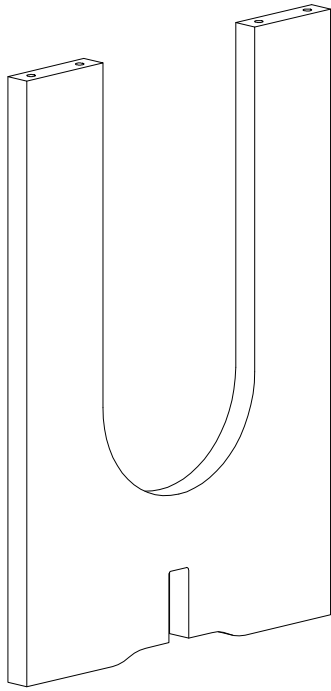
ASSEMBLY INSTRUCTION



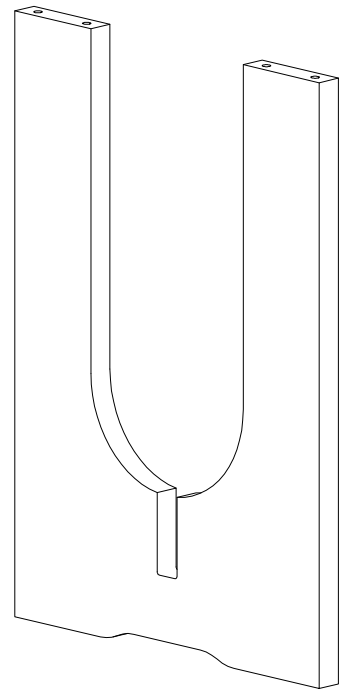
Hardware List



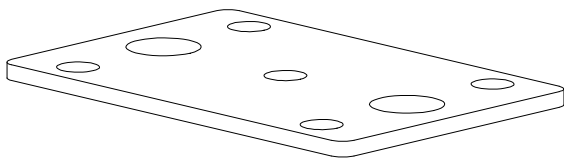
① x1



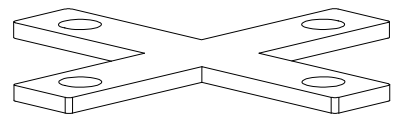
② x1



③ x1

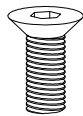


④ x4



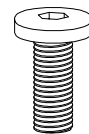
⑤ x1

⑥ x8+1



M6*15mm

⑦ x20+2



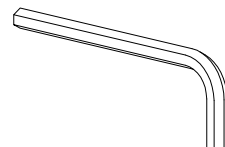
M6*15mm

⑧ x4

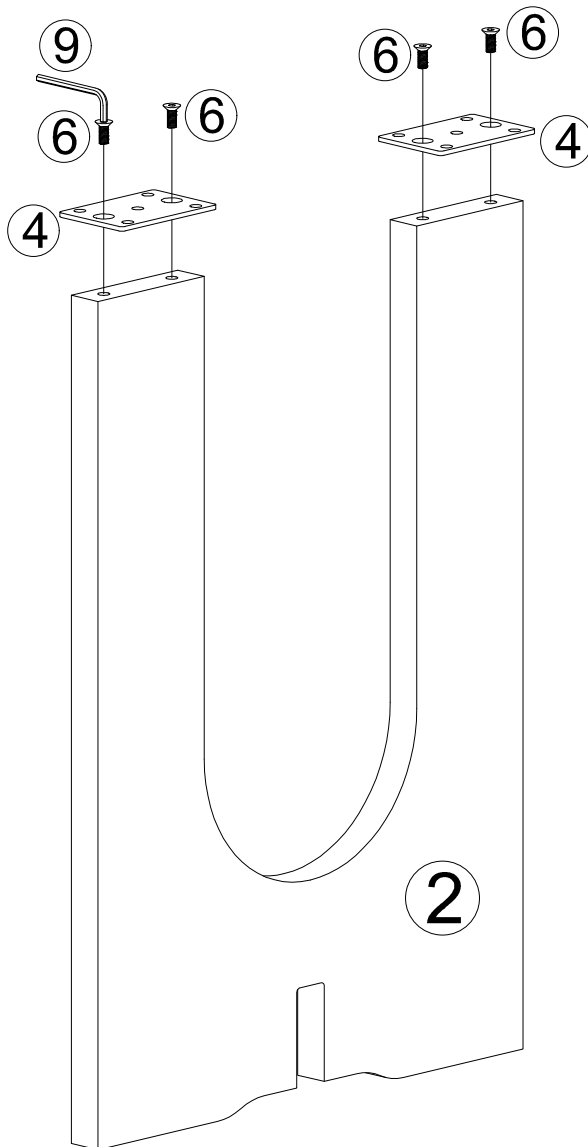
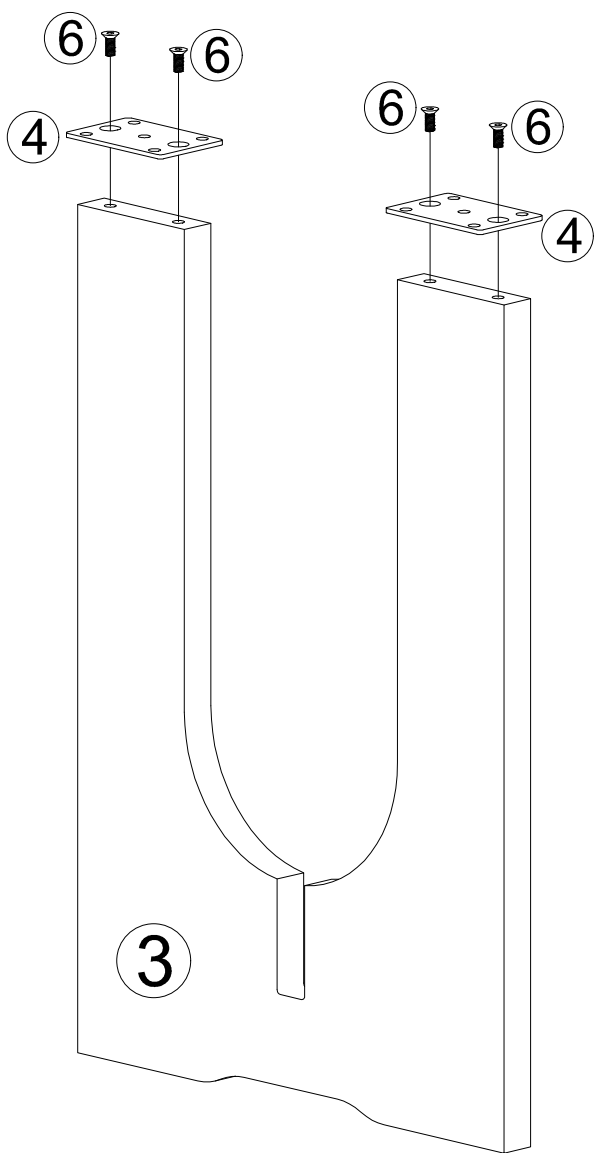


ø20*3mm

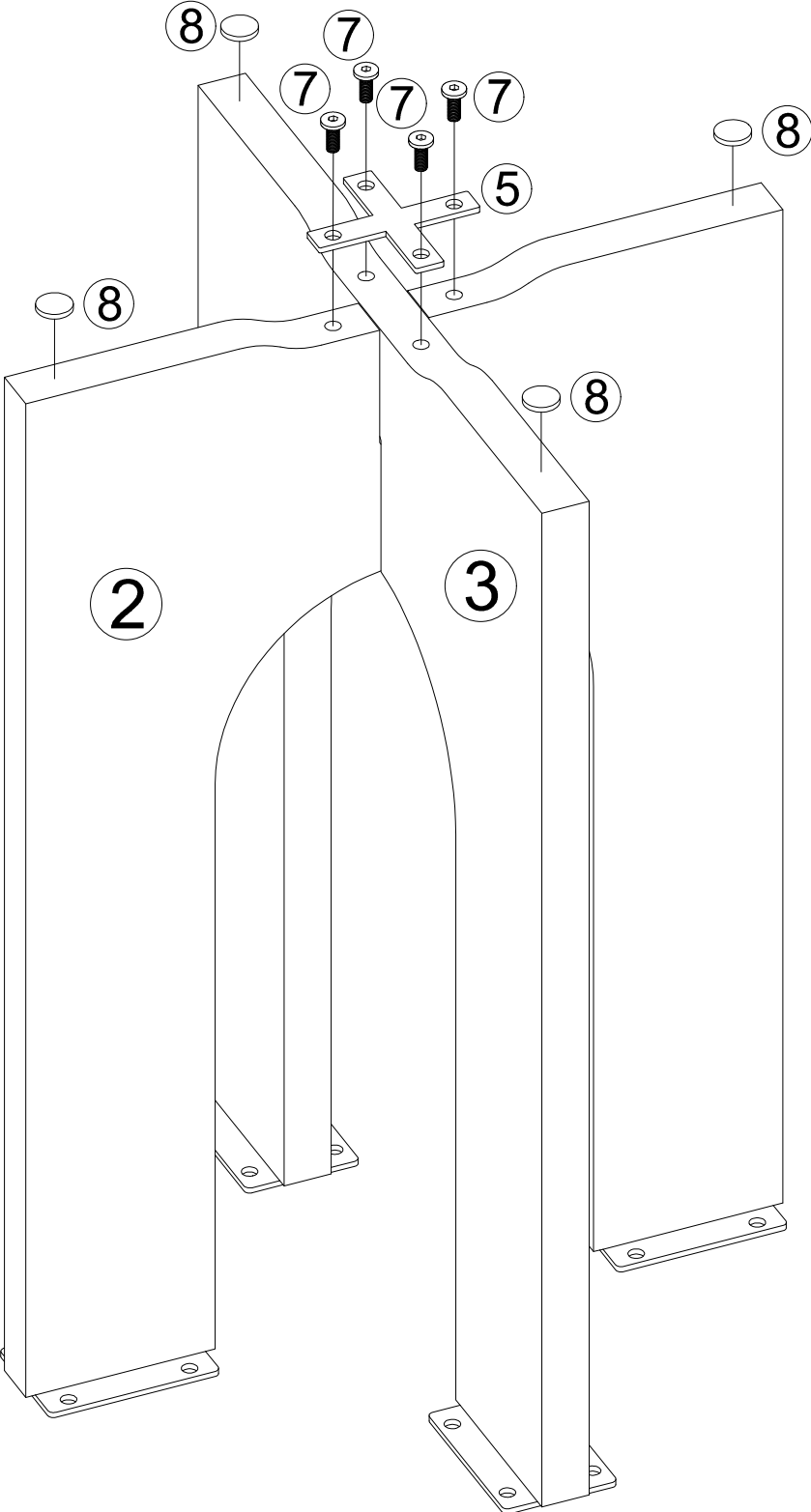
⑨ x1



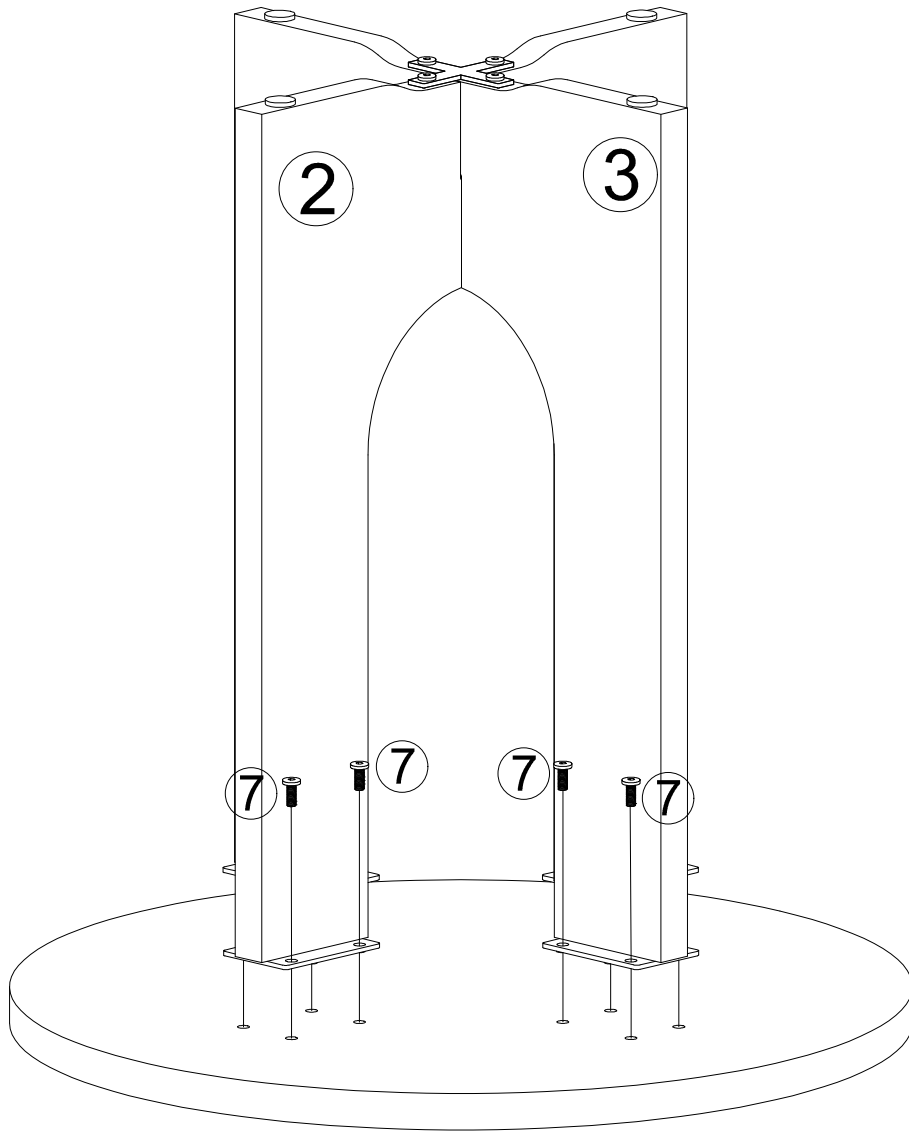
Step 1



Step 2



Step 3



Step 4

