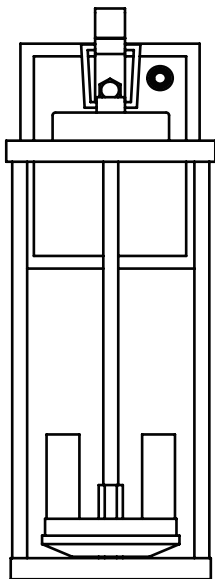


edishinē

Outdoor Wall Light

SPU: HOWL06W

[Instruction Manual]



Please pay attention to the warning signs
Read the instructions with caution before operating
and keep it properly

WARNING:

Risk of fire. Min 75°C supply conductors. Consult a qualified electrician to ensure correct installation. Before installation, please turn off the main power of the circuit breaker to prevent possible electric shock.

Packing List

Part	Description	Quantity
1	Wall light	1pc
2	Wire nuts	3pcs
3	Outlet screw	2pcs
4	Mounting bracket	1pc
5	Instruction manual	1pc

Installation Instructions

NOTE: PLEASE INSTALL THIS WALL LANTERN 1.2 METERS 3.94 FEET ABOVE THE GROUND

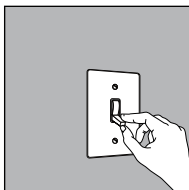


FIG.1 WALL SWITCH

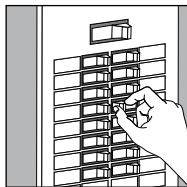


FIG.2 BREAKER PANEL

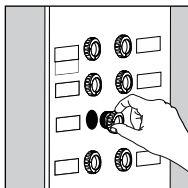


FIG.3 FUSE BOX

STEP 01: POWER OFF

FIG.1. Turn the wall switch to the "OFF" position.
Depending on which type of fuse box in your home.

FIG.2. Either turn the main (Master) switch to the "OFF" position to cut off the power supply of the entire home, or turn off the individual switch that supplies power to the fixture installation location.

OR

FIG.3. Either turn the main (Master) switch to the "OFF" position to cut off the power supply of the entire home, or unscrew the fuse that supplies or turn off the individual switch that supplies power to the fixture installation location.

STEP 02: CLEAN THE LIGHT

Cleaning: Cleaning the glass and sensor surface of the wall light with a soft and damp cloth. Dust will affect the sensitivity of sensor and brightness of the light.

STEP 03: CONNECT THE WIRE

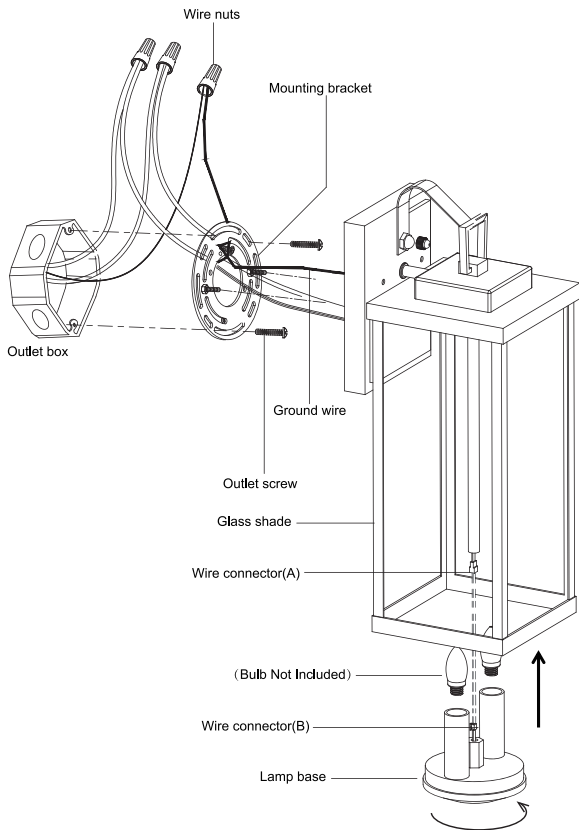
Connect black live wire, white neutral wire and ground wire with wire nuts, be sure that the wires are connected sturdily.

STEP 04: FIX THE LIGHT

Unscrew the two nuts, remove the mounting bracket from the lamp body, and then fix the mounting bracket to the wall or junction box with the outlet screws, and then tighten the nuts to fix the lamp body to the mounting bracket.

STEP 05: INSTALL THE BULB AND TURN ON THE POWER

Unscrew the lamp holder with counterclockwise rotation, unplug the wire connector(A) and wire connector(B), then install two B11(E12) bulbs (Bulb Not Included), connect the wire connector(A) and wire connector(B), and tighten the lamp holder clockwise.



Specifications:

- Input Voltage: 120VAC 60Hz
- Max load Power for Bulb : Incandescent Bulb 60W(bulb not included)
- Socket Type: E12
- Material: Metal and glass
- Product size: (H)15.95×(W)5.3×(D)6.57 inch
- Function : Dusk to Dawn Sensor

One Year Limited Warranty

Supported by our professional R&D team and QC team, we provide One Year Warranty for materials and workmanship from the purchase date. Please note that the warranty does not cover damage caused by personal misuse or improper installation.

Please attach your Order ID and Name so that our dedicated customer service team can help you better.