
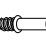
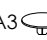






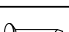
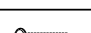
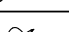




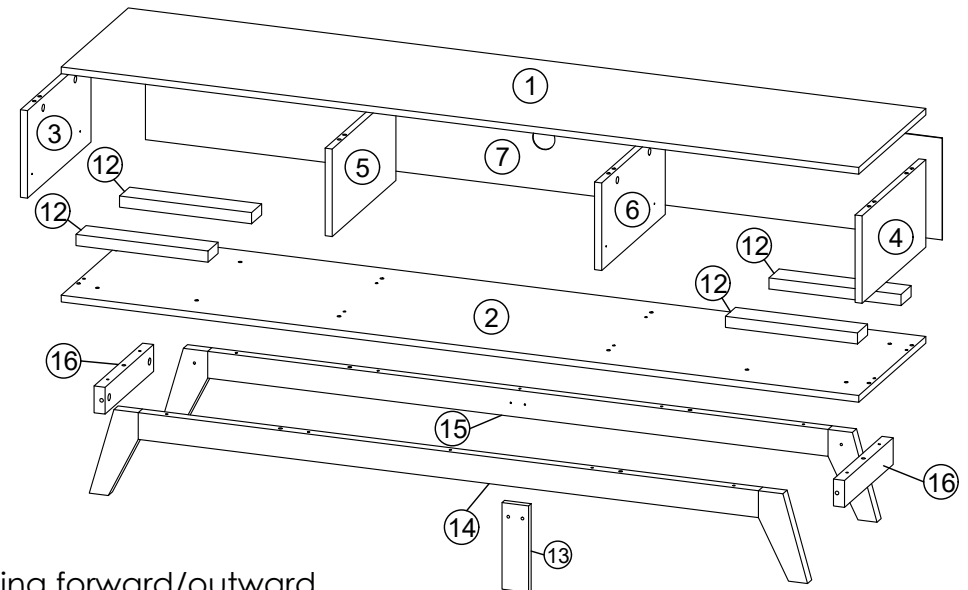
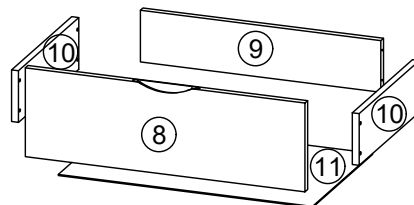
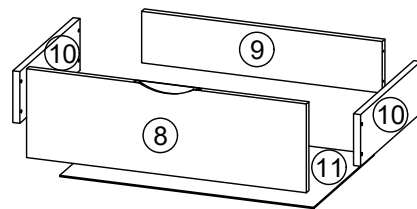
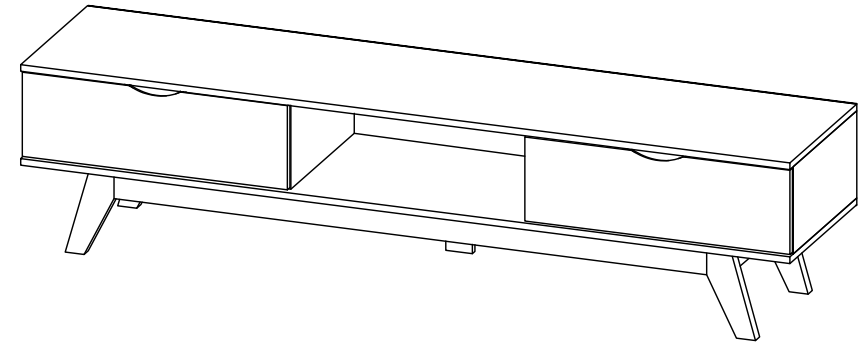
# ASSEMBLY INSTRUCTIONS

Before you begin, please follow assembly instructions carefully, then follow them step by step.

Read instruction carefully . See Furniture Parts list and Hardware List for guidance . Be sure you have all parts before you start assembling . Place and assemble furniture on a clean flat soft surface , such as carpet or rug to prevent being scratched .

PART LIST		QTY
1	TOP PANEL	1 PC
2	BOTTOM PANEL	1 PC
3	SIDE PANEL (L)	1 PC
4	SIDE PANEL (R)	1 PC
5	CENTER PANEL (L)	1 PC
6	CENTER PANEL (R)	1 PC
7	BACK PANEL	1 PCS
8	DRAWER FRONT	2 PCS
9	DRAWER BACK	2 PCS
10	DRAWER SIDE	4 PCS
11	BOTTOM DRAWER	2 PCS
12	MIDDLE BONE	4 PCS
13	CENTER LEG	1 PCS
14	APRON BONE FRONT	1 PCS
15	APRON BONE BACK	1 PCS
16	APRON BONE SIDE	2 PCS

HARDWARE				
A	MINI FIX	A1  A2  A3 		12 SETS
B	M8 X 30MM WOOD DOWEL			20 PCS
C	M6 X 50MM CSK CAP WOOD SCREW			8 PCS
D	ALLEN KEY M4			1 PC
E	M3.5 X 16MM C.B SCREW			24 PCS
F	M4 X 30MM C.B SCREW			2 PCS
G	M4 X 38MM C.B SCREW			30 PCS
H	5/8 NAIL			48 PCS
I	JCBC Screw M6 x 25MM			8 PCS
J	5/8 PVC NAIL LEG			5 PCS
K	14" DRAWER SLIDE	 K1 (L/R)  K2 (L/R)		2 SETS



**SELF-PREPARED TOOLS:** Tools below are NOT included in package.



SCREWDRIVER



HAMMER

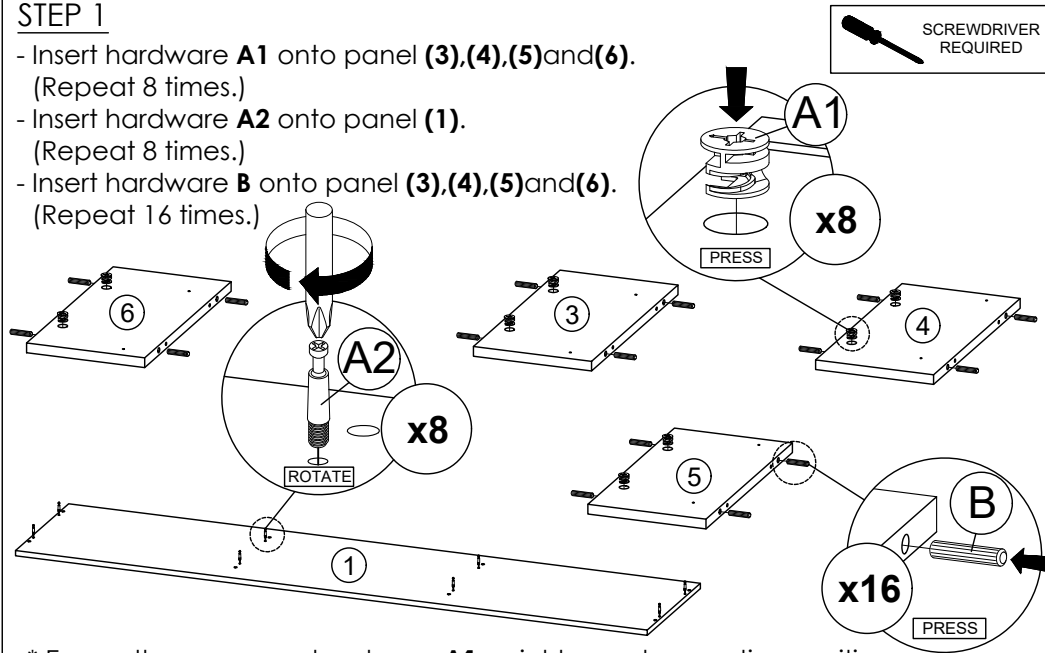
## Reminder:

Please ensure that all surfaces and edges with colours/laminations are facing forward/outward.

# ASSEMBLY INSTRUCTIONS

## STEP 1

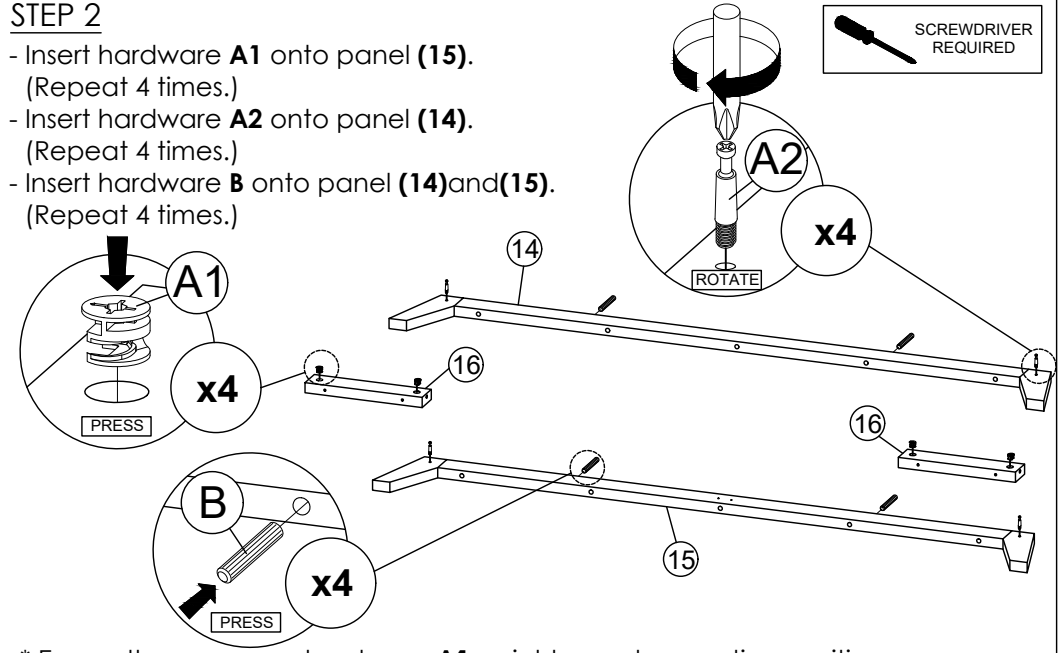
- Insert hardware **A1** onto panel **(3),(4),(5)** and **(6)**.  
(Repeat 8 times.)
- Insert hardware **A2** onto panel **(1)**.  
(Repeat 8 times.)
- Insert hardware **B** onto panel **(3),(4),(5)** and **(6)**.  
(Repeat 16 times.)



\* Ensure the arrows on hardware **A1** point towards mounting positions.

## STEP 2

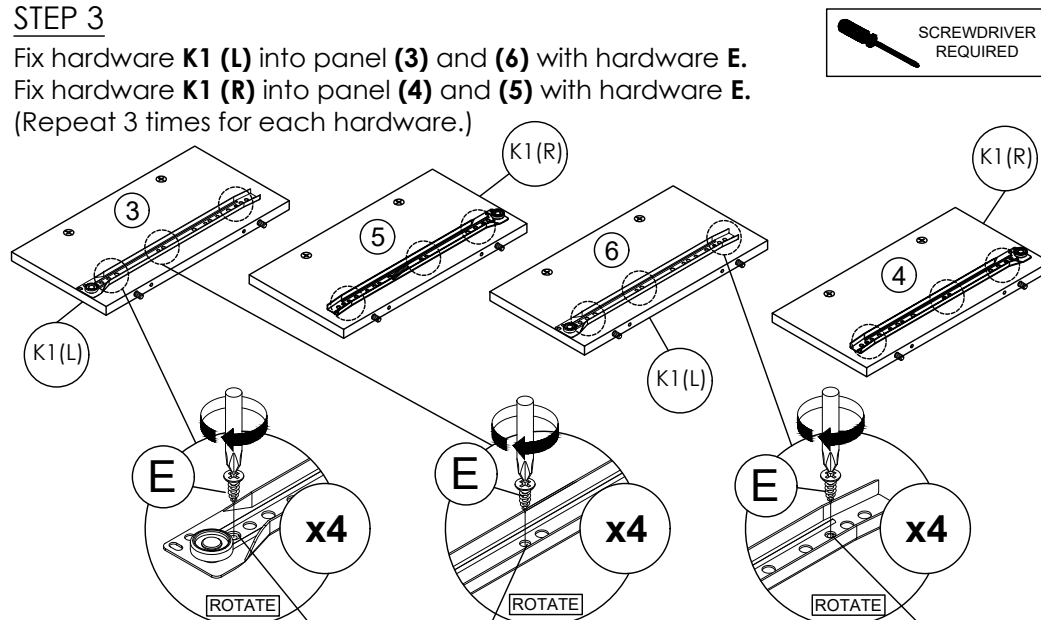
- Insert hardware **A1** onto panel **(15)**.  
(Repeat 4 times.)
- Insert hardware **A2** onto panel **(14)**.  
(Repeat 4 times.)
- Insert hardware **B** onto panel **(14)** and **(15)**.  
(Repeat 4 times.)



\* Ensure the arrows on hardware **A1** point towards mounting positions.

## STEP 3

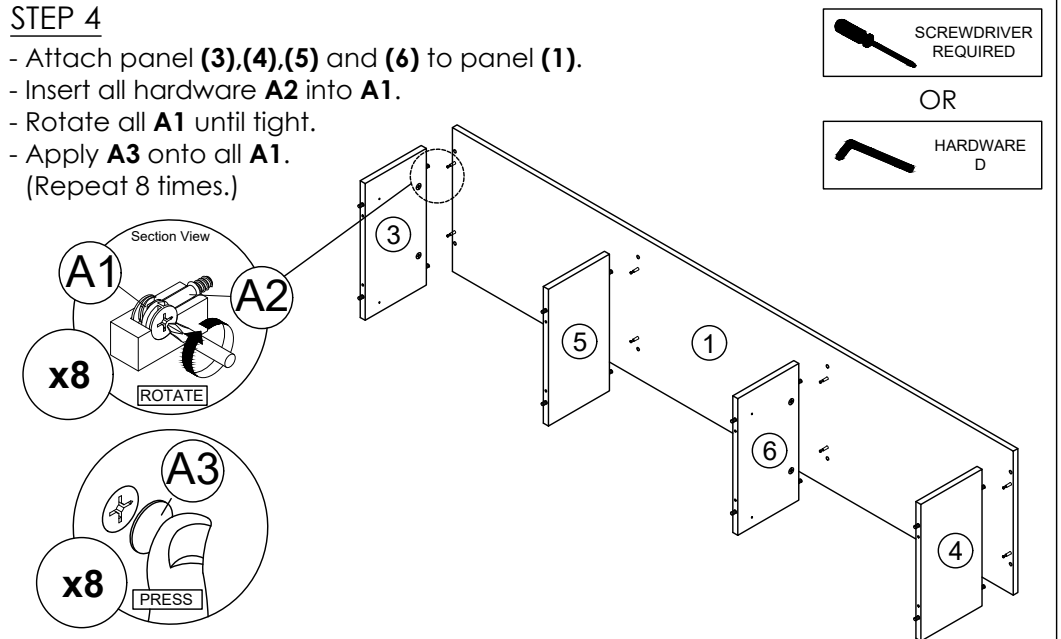
- Fix hardware **K1 (L)** into panel **(3)** and **(6)** with hardware **E**.
- Fix hardware **K1 (R)** into panel **(4)** and **(5)** with hardware **E**.
- (Repeat 3 times for each hardware.)



First hole from the edge.    Small hole at the center.    Third hole from the edge.

## STEP 4

- Attach panel **(3),(4),(5)** and **(6)** to panel **(1)**.
- Insert all hardware **A2** into **A1**.
- Rotate all **A1** until tight.
- Apply **A3** onto all **A1**.  
(Repeat 8 times.)



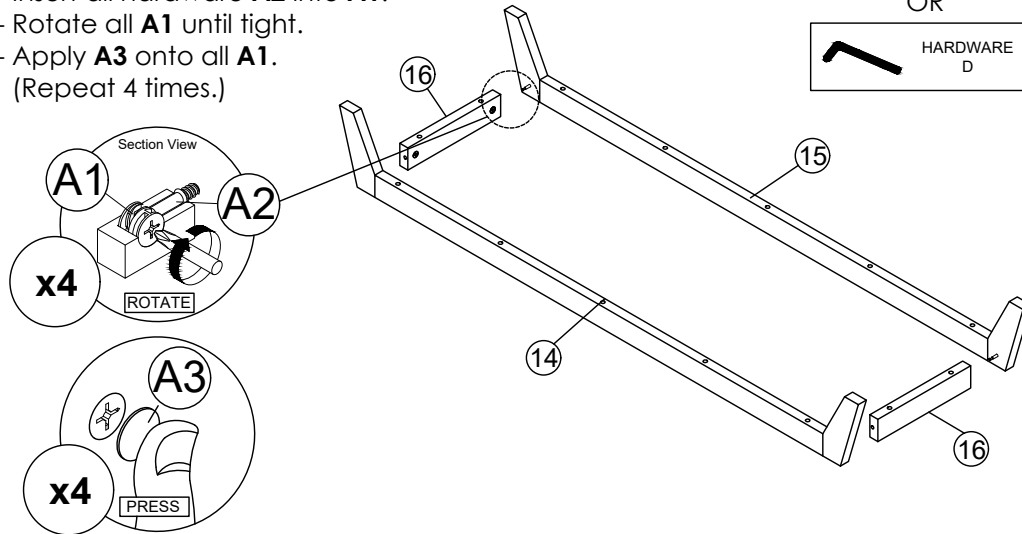
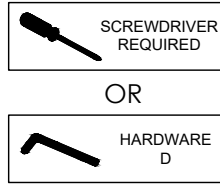
\* In this step hardware **A1**, **A2** and **B** are pre-inserted.

# ASSEMBLY INSTRUCTIONS

PAGE: 3/5

## STEP 5

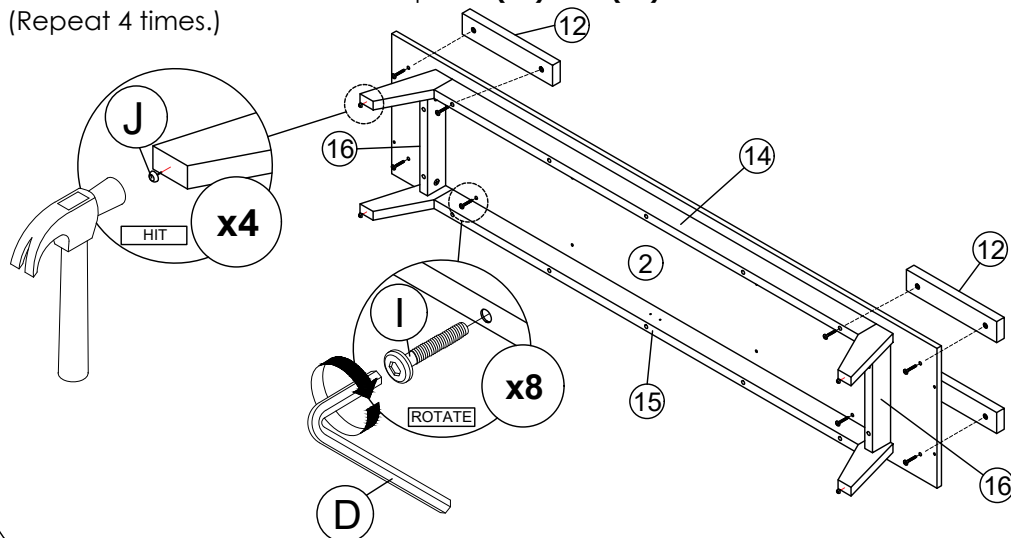
- Attach panel (14) to panel (15).
- Insert all hardware A2 into A1.
- Rotate all A1 until tight.
- Apply A3 onto all A1.
- (Repeat 4 times.)



\* In this step hardware A1, A2 and B are pre-inserted.

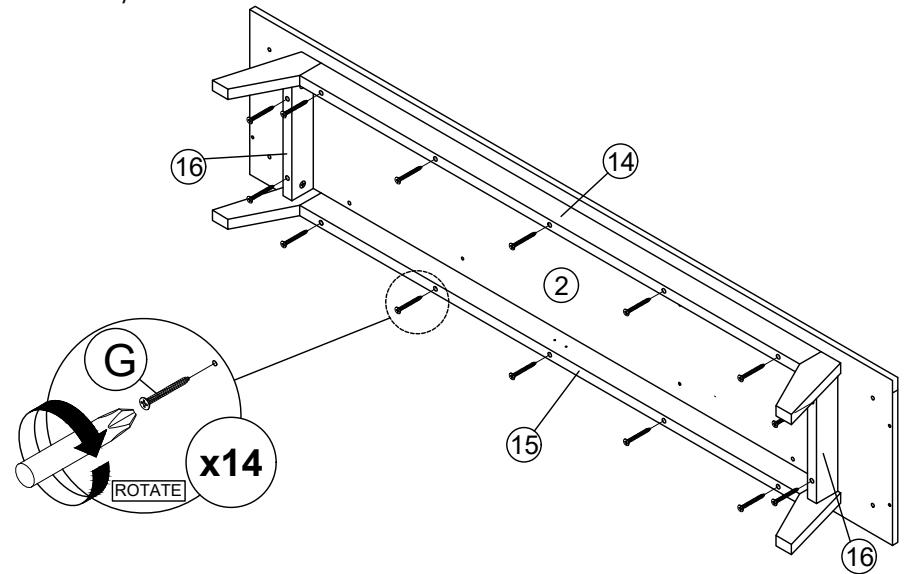
## STEP 7

- Connect panel (12) to panel (2) by using hardware D and I.
- (Repeat 8 times.)
- Hit hardware J at the bottom of panel (14) and (15).
- (Repeat 4 times.)



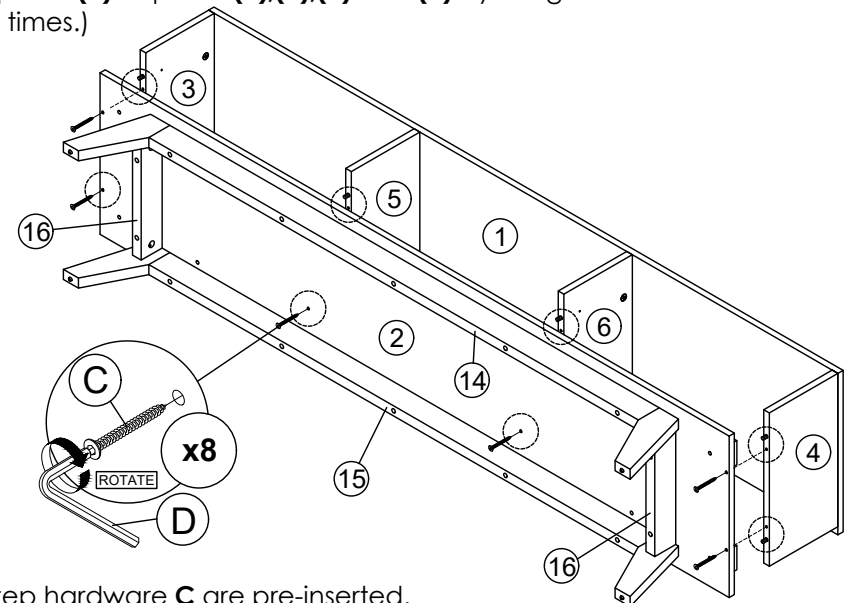
## STEP 6

- Connect panel (14) and (15) to panel (2) by using hardware G.
- (Repeat 14 times.)



## STEP 8

- Connect panel (2) to panel (3),(4),(5) and (6) by using hardware C and D.
- (Repeat 8 times.)



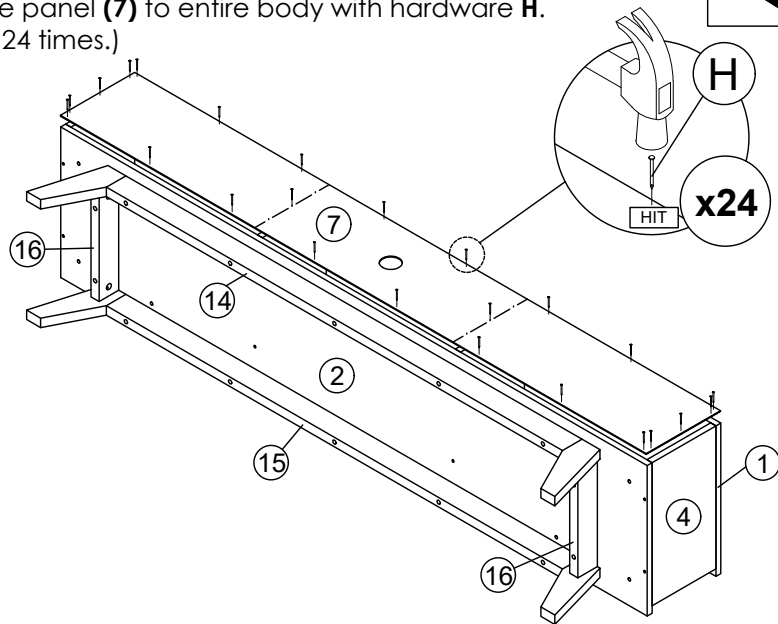
\* In this step hardware C are pre-inserted.

# ASSEMBLY INSTRUCTIONS

PAGE: 4/5

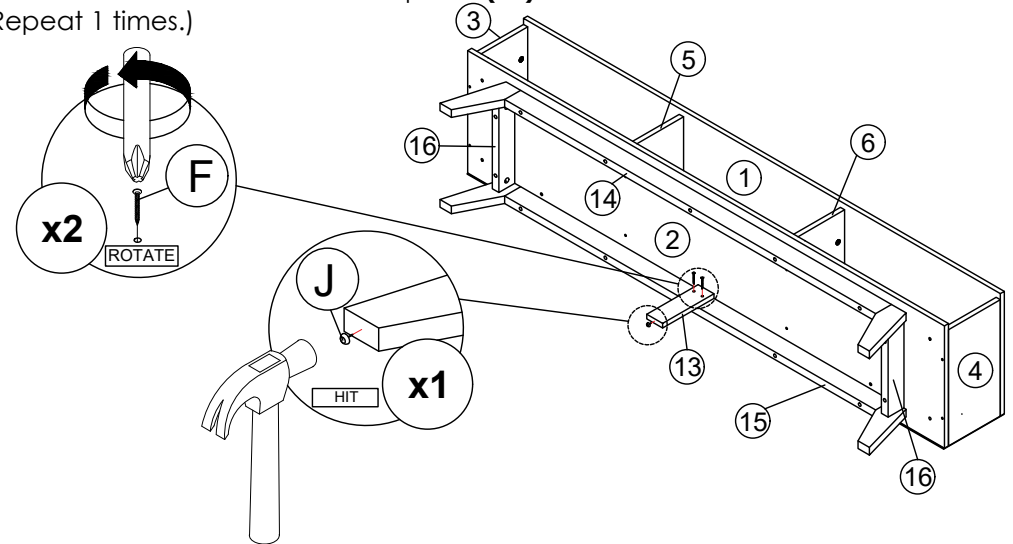
## STEP 9

Assemble panel (7) to entire body with hardware H.  
(Repeat 24 times.)



## STEP 10

- Fix hardware F onto panel (15) by using screwdriver.  
(Repeat 2 times)  
- Hit hardware J at the bottom of panel (13).  
(Repeat 1 times.)

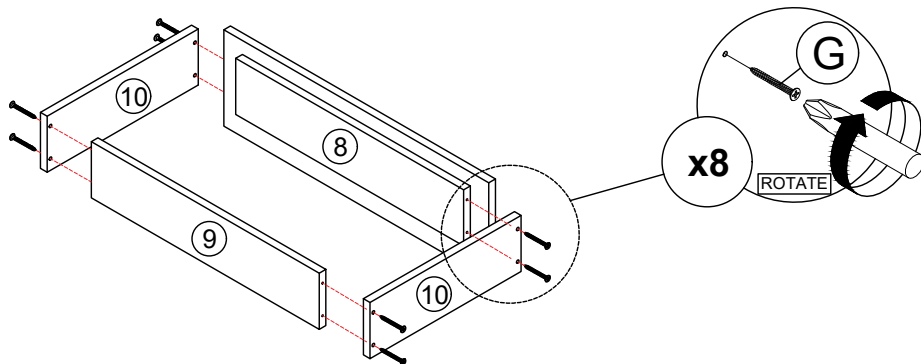


## STEP 11

Assemble panel (10) to panel (8) and (9)  
by using hardware G.  
(Repeat 8 times.)

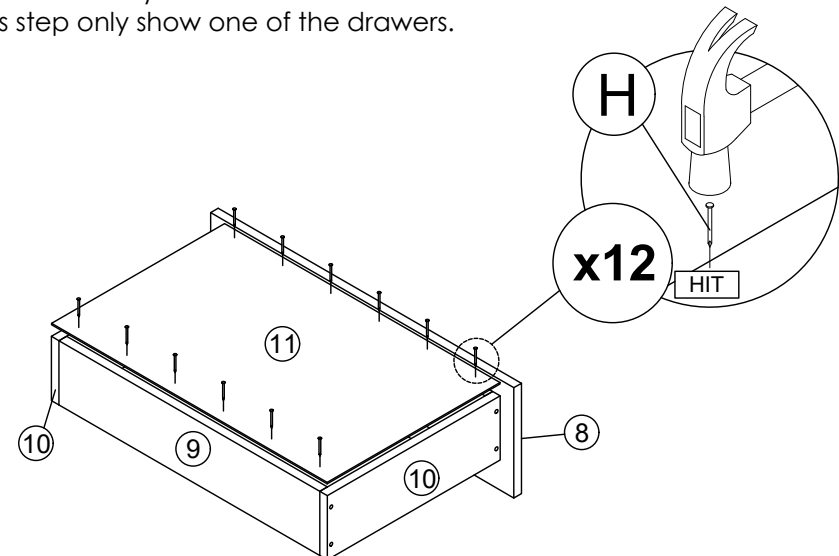


\* In this step only show one of the drawers.



## STEP 12

Assemble panel (11) to entire body with hardware H  
(Repeat 12 times.)  
\* In this step only show one of the drawers.



# ASSEMBLY INSTRUCTIONS

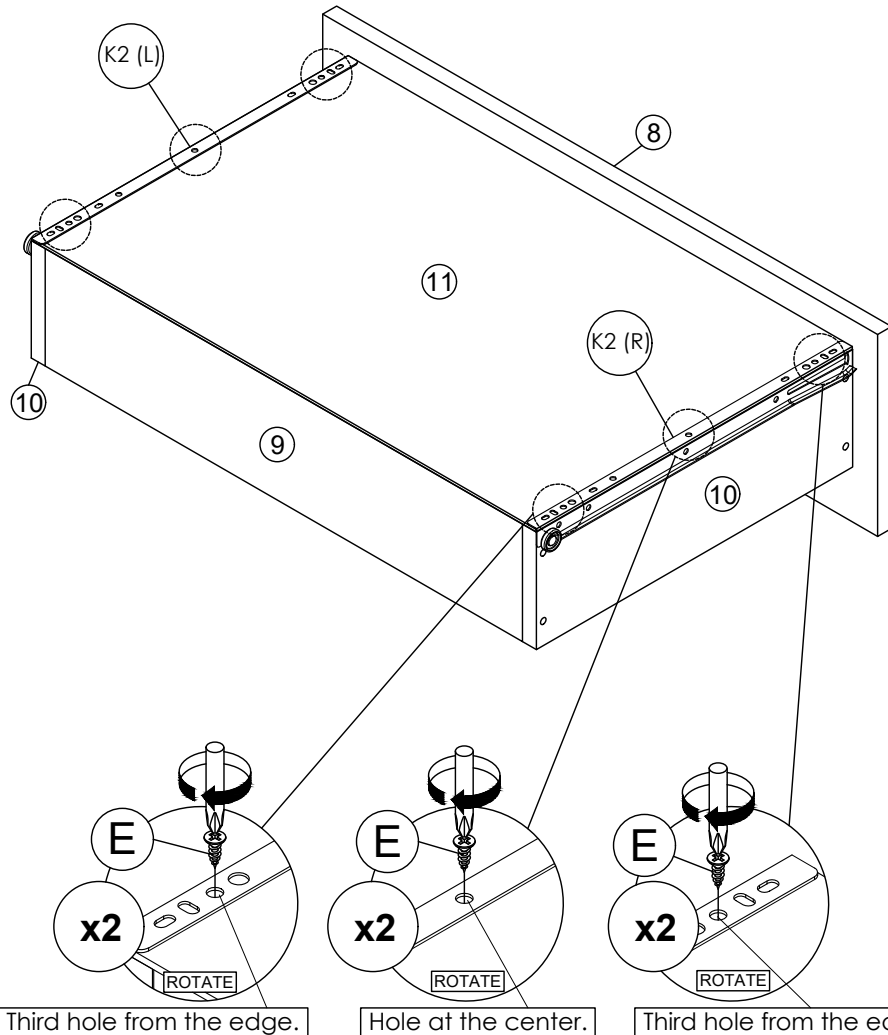
PAGE: 5/5

## STEP 13

Assemble hardware **K2 (L) & K2(R)** to panel **(11)** by using hardware **E**.

(Repeat 6 times for each hardware.)

\* In this step only show one of the drawers.



\*Hardware **K2 (L),K2 (R)** shall be leaning against panel **(8)** when assembling.

## STEP 14

Put all the drawer in place along the drawer slides.

