

NOTICE

- * Please make sure that you have all parts indicated and they are in good condition before you begin assembly of this item. Refer to part list and hardware list below for guidance.
- * This item should be assembled on a soft surface to prevent scratching the finish during assembly.
- * This item may require periodic tightening.
- * If you are having difficulty, our friendly Customer Care team is always here to help. Please email customersupport@safavieh.com

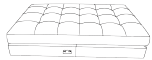


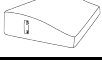

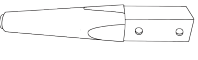




PREPARATION

- * Before beginning assembly of product, make sure all parts are present. Compare parts with part contents list and hardware contents list.
- * If any part is missing or damaged, do not attempt to assemble the product.
- * Estimated Assembly Time: 10 minutes.
- * Tools Required for Assembly (included): Allen Key

CARE AND MAINTENANCE

- * Spot clean using a mild water-free solvent. Only a professional cleaner should undertake a complete overall cleaning.
- * The use of steam or water-based cleaners may cause excessive shrinking or staining.

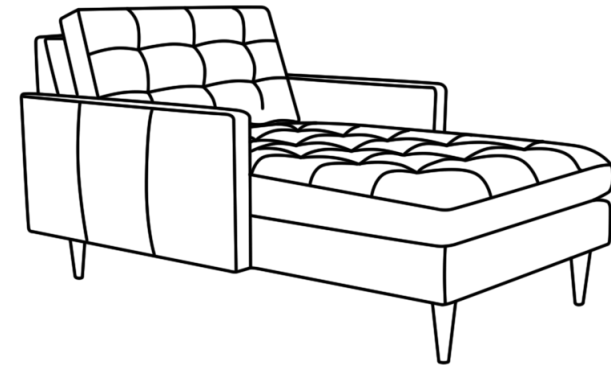
Part List and Hardware List

PIECE	DESCRIPTION	PICTURE	QUANTITY
A	Seat		1X
B	Left arm		1X
C	Right arm		1X
D	Back		1X
E	Back pillow		1X
F	Leg		4X
HW1	Split Lock Washer(M8)		13X
HW2	Flat Washer(M8)		13X
HW3	Socket Screws 8 *1.25*65MM		13X
HW4	Allen Key		1X

SAFAVIEH COUTURE

Model#: SFV4760

Dimensions: 42.3"W*63.0"D*36.2"H



 **WARNING** 

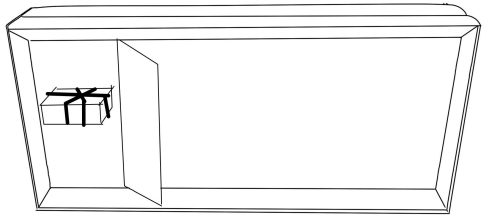
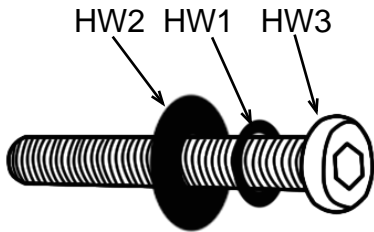
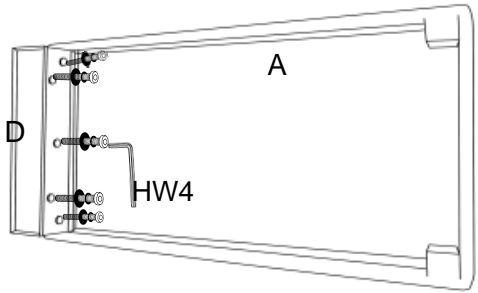
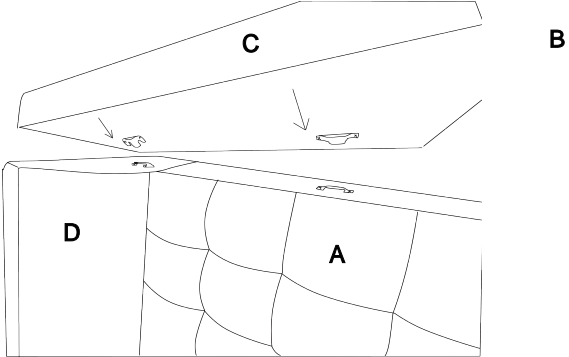
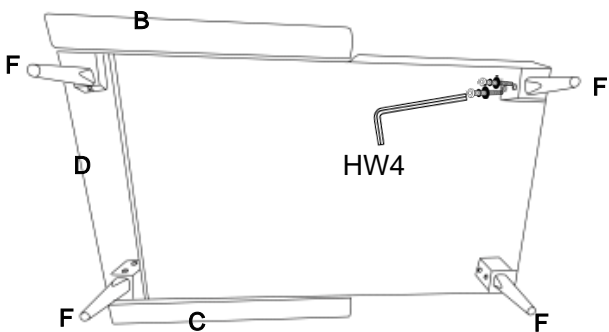
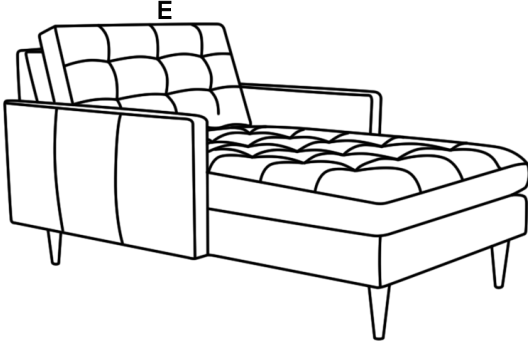
Weight Capacity: 550 lbs

WARNING: DO NOT STAND ON CHAISE

WARNING: DO NOT OVER TORQUE WASHER/SCREWS

PREPARATION

- * Before beginning assembly of product, make sure all parts are present. Compare parts with part contents list and hardware contents list.
- * If any part is missing or damaged, do not attempt to assemble the product.
- * Estimated Assembly Time: 10 minutes.
- * Tools Required for Assembly (included): Allen Key
- * If you are having difficulty, our friendly Customer Care team is always here to help. Please email customersupport@safavieh.com

		
<p>STEP1 OPEN THE ZIPPER ON THE UNDERSIDE OF THE SEAT AND TAKE OUT LEGS AND HARDWARE.</p>	<p>STEP2 PUT THE WASHERS ON THE SCREW IN THE ORDER SHOWN IN THE PICTURE</p>	<p>STEP3 CONNECT THE BACK WITH THE SEAT BY SCREWS(AS STEP2 SHOWN) ,TIGHTEN THE SCREWS BY USING WRENCH (HW4) AS SHOWN.</p>
		
<p>STEP4 CONNECT THE LEFT ARM WITH THE SEAT BY CONNECTORS AS SHOWN.THEN REPEAT THE SAME STEP TO CONECT THE RIGHT ARM.</p>	<p>STEP5 INSERT THE LEGS BY SCREW (AS STEP2 SHOWN) IN THE SCREWS ,TIGHTEN THE SCREW BY USING WRENCH(HW4) AS SHOWN.</p>	<p>STEP5 PUT THE BACK PILLOW ON THE CHAISE, IT'S NOW READY TO USE.</p>