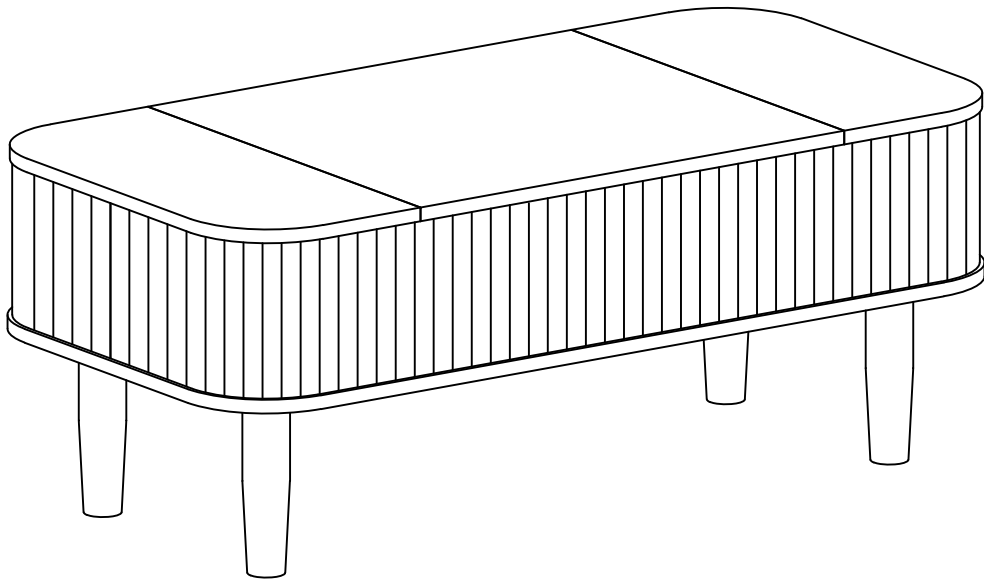


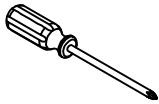
Installation instruction



Assembling

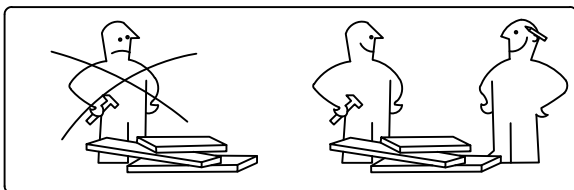
What you need

- Use the packaging carton as a working surface to prevent product damage during assembly
- Phillips head screwdriver



Weight Limitation

 **100** | **35**
lbs table top lbs per

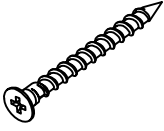


What's included

Code	Description	Qty
A	Screw M 4X40MM	4
B	Screw M4X14MM	44
C	Screw M4X14MM	24
D	Screw M6X25MM	14
E	Screw M6X40MM	8
F	Screw M6X30MM	12
G	Screw M6X15MM	8
H	Wooden Dowel M8X30MM	4
I	Screw wrench	2
J	Door panel hinge	4
K	Left Lifter	1
L	Right Lifter	1

The Hardware

A x 4



Ø4x40mm

B x 44



Ø4x14mm

C x 24



Ø4x14mm

D x 14



M6x25mm

E x 8



M6x40mm

F x 12



M6x30mm

G x 8



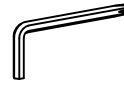
M6x15mm

H x 4



Ø8x30mm

I x 2

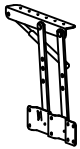


M4

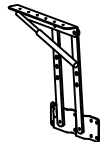
J x 4



K x 1



L x 1



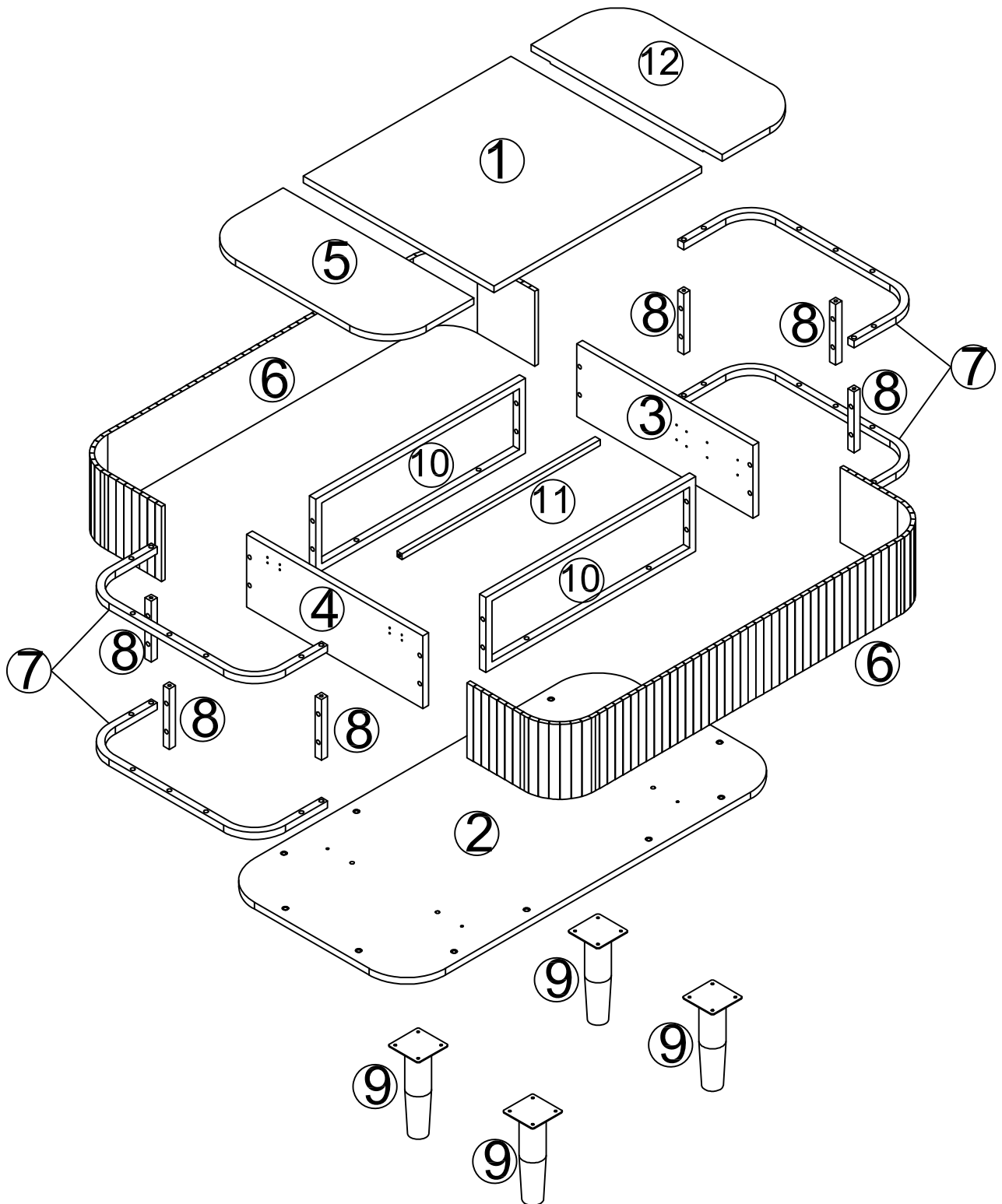
IMPORTANT:

1. Do not tighten bolts / screws completely until all bolts / screws are lined up and inserted into holes.
2. Do not over tighten screws and bolts to avoid stripping
3. Please use hand tools to assemble this product, You can also use power tools (please use power tools carefully)


Included Accessories

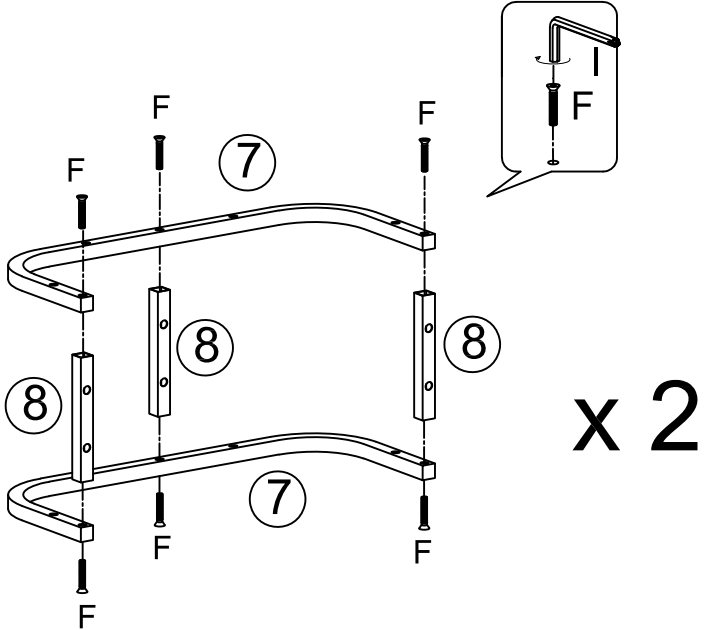
Code	Description	Qty
1	Middle Top panel	1
2	Bottom Panel	1
3	Right Side Panel	1
4	Left Side Panel	1
5	Left Top Panel	1
6	Long Standing Board	2
7	U-shape Metal Frame	4
8	Support Metal Tube	6
9	Support Foot	4
10	Rectangular Metal Frame	2
11	Connetion Metal Tube	1
12	Right Top Panel	1

The Accessoriss





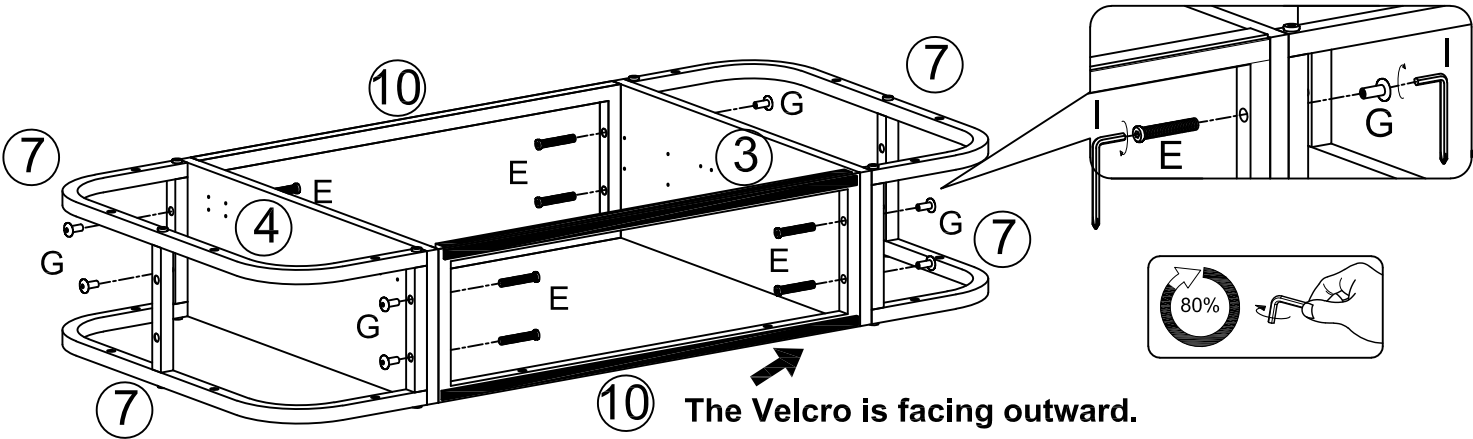
Step 1

F x 12





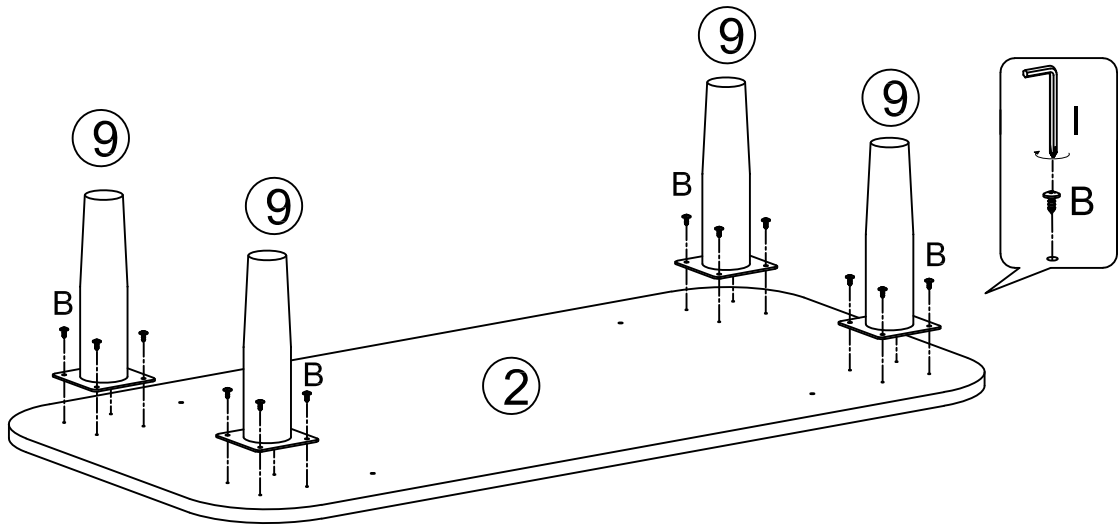
Step 2

E x 8	G x 8
	


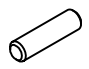


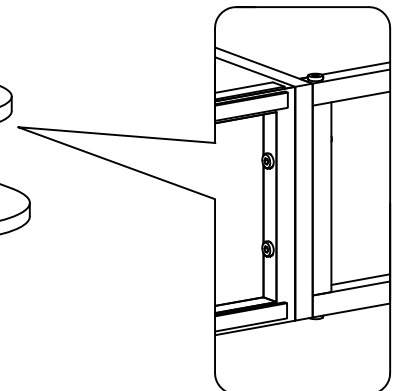
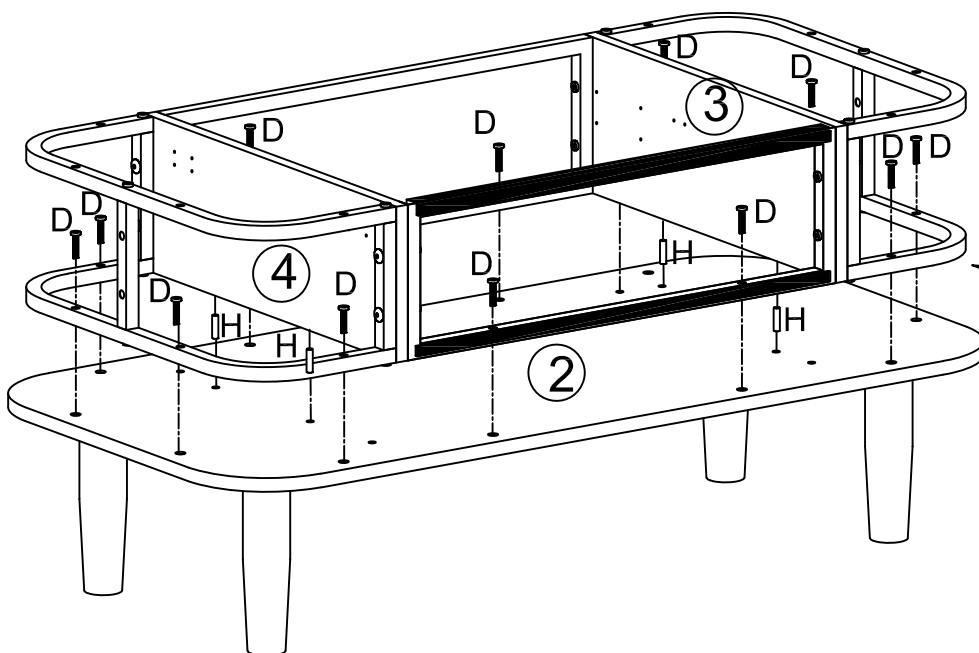
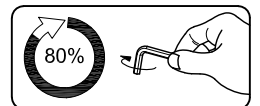
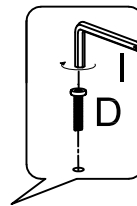
Step 3

B x 16




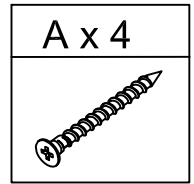
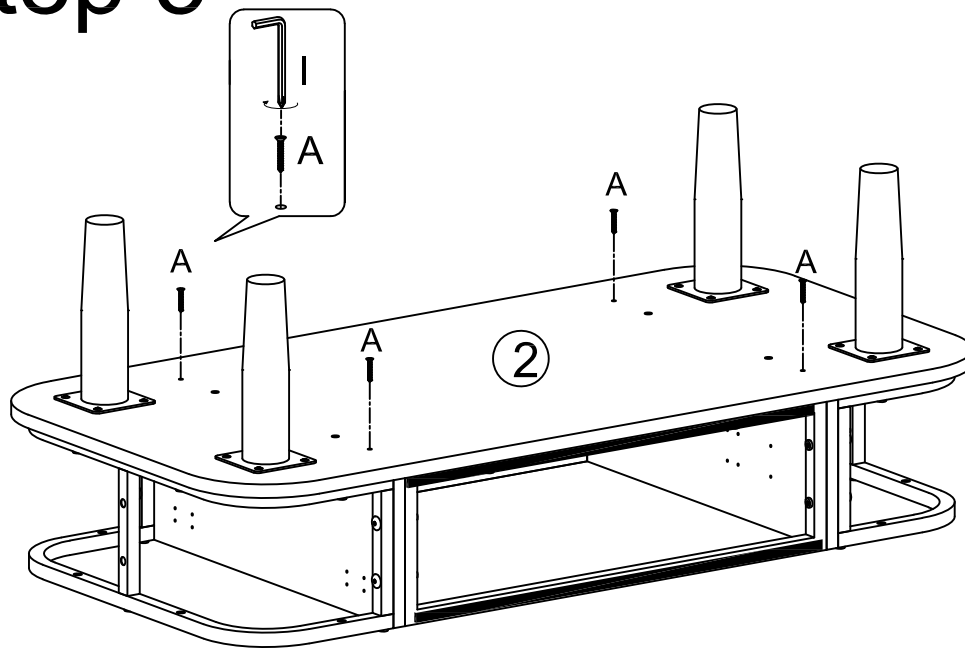
Step 4

D x 12	H x 4
	

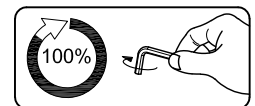
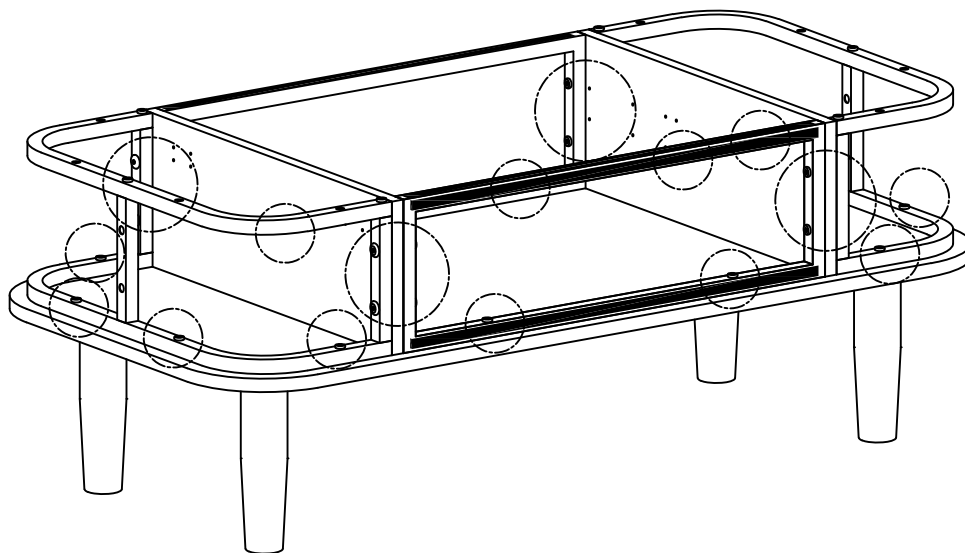


The top surface is flat.

Step 5





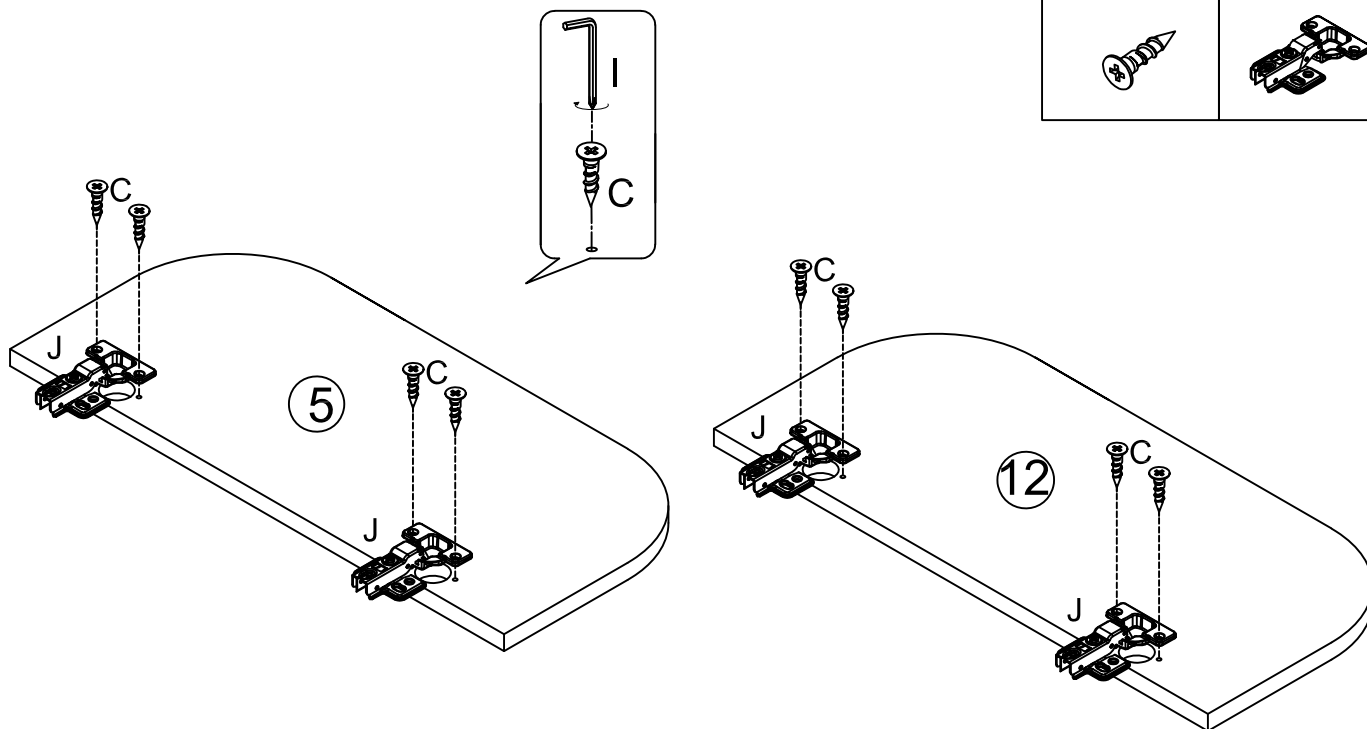
Step 6




Please complete the installation of part 5 first and then tighten the screws to 100%.

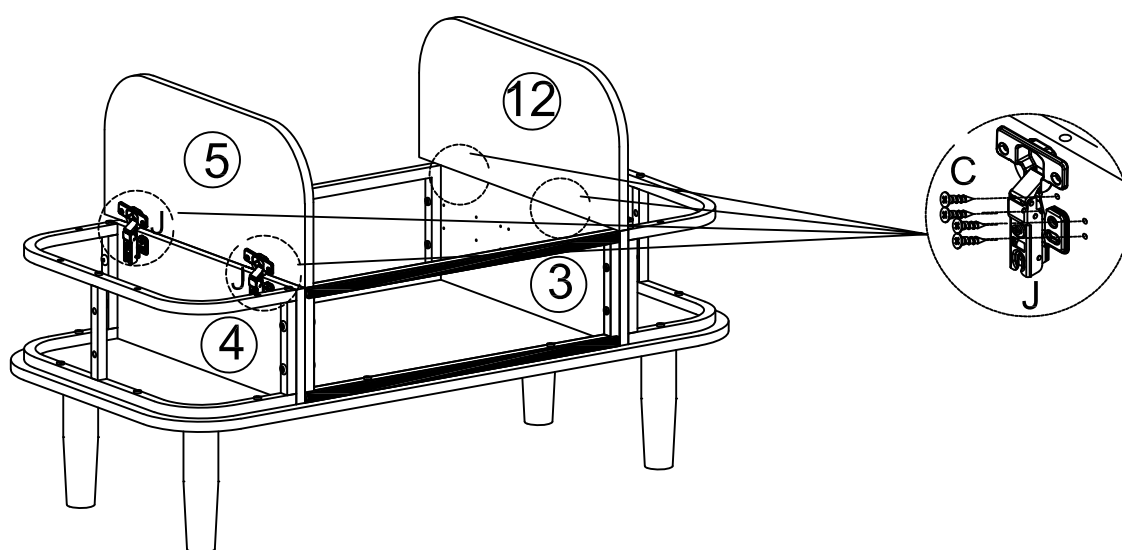
Step 7

C x 8	J x 4
	



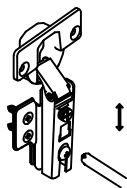
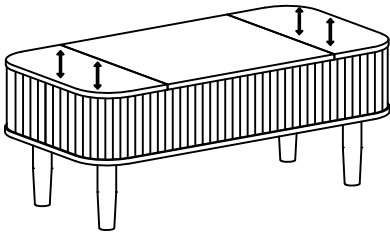
Step 8

C x 16


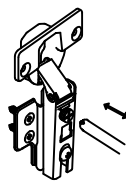
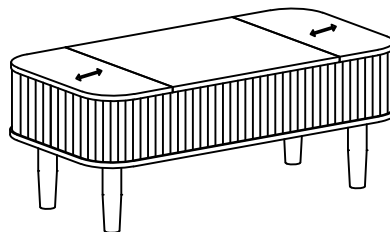


Step 9

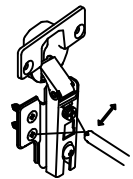
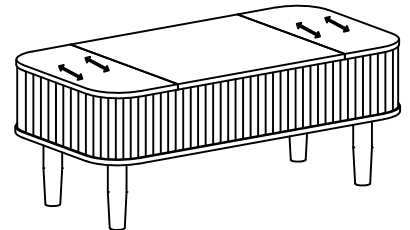
How do I get the two doors to align flat by adjusting the hinges?



1. The screws can be loosened to adjust the uneven problem under the table top.



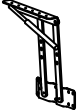


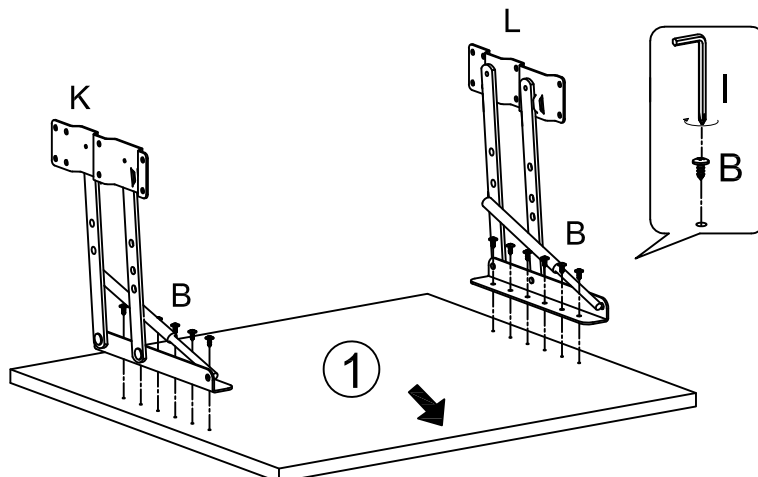
2. Adjust the screws shown in Fig. 2 and pull the door back and forth so that it can be opened smoothly.



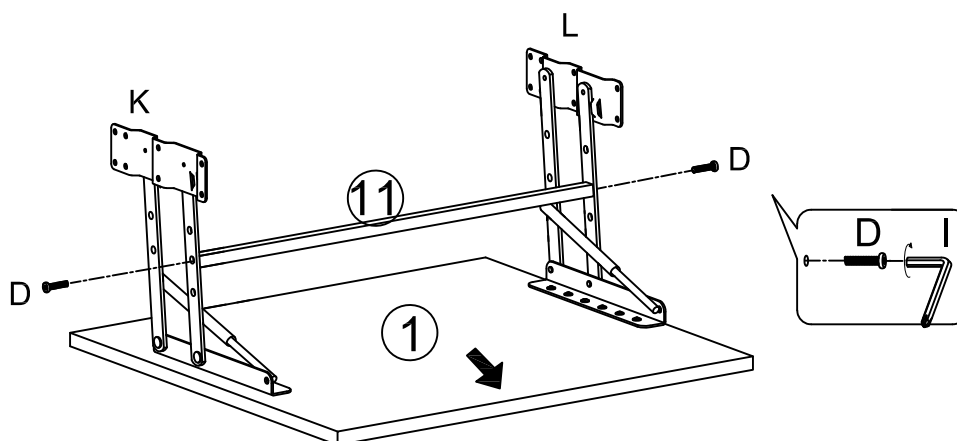
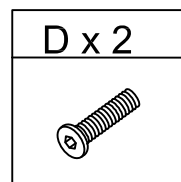
3. Adjust the screws shown in Figure 3 to adjust the door left and right to the right position.

Step 10

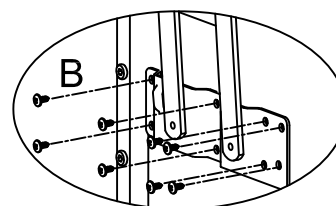
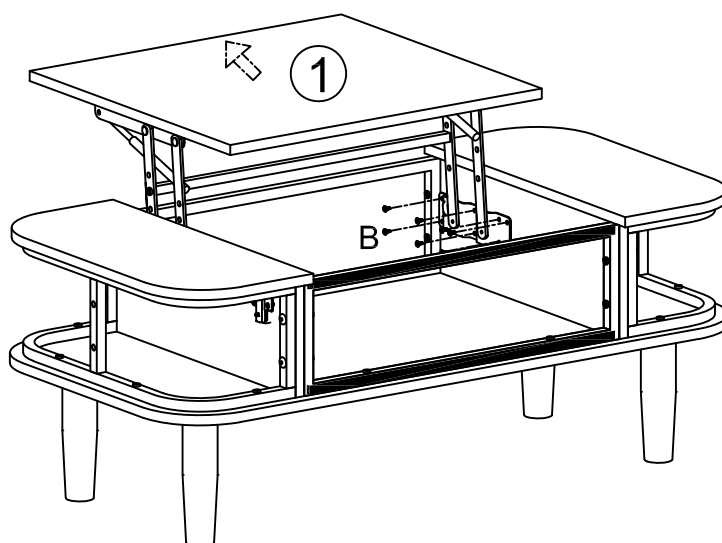
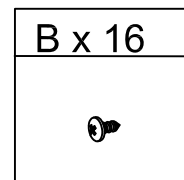
B x 12	K x 1	L x 1
		



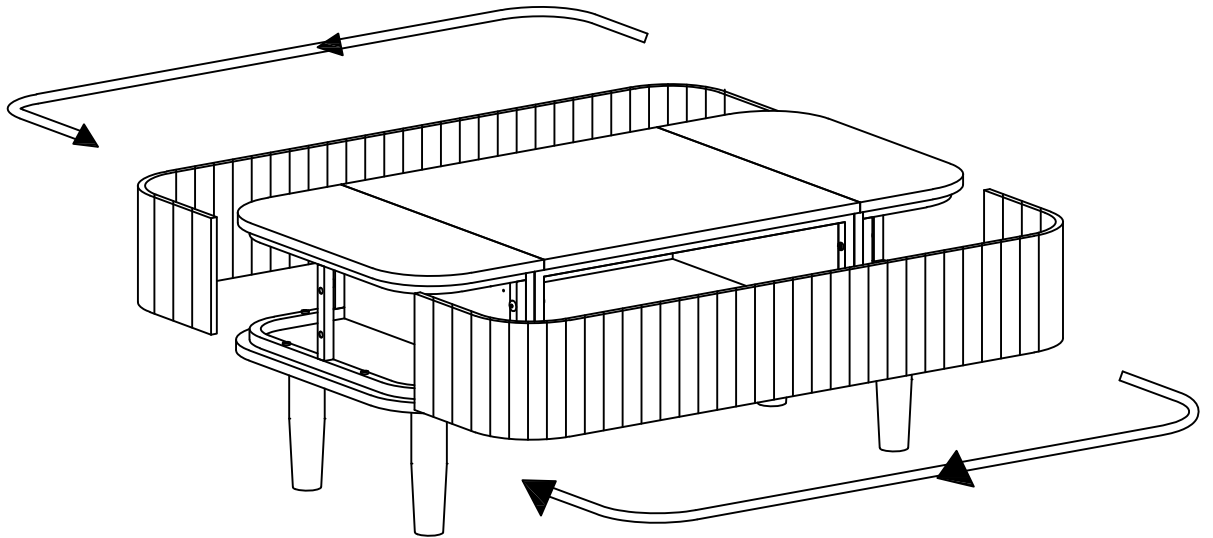
Step 11



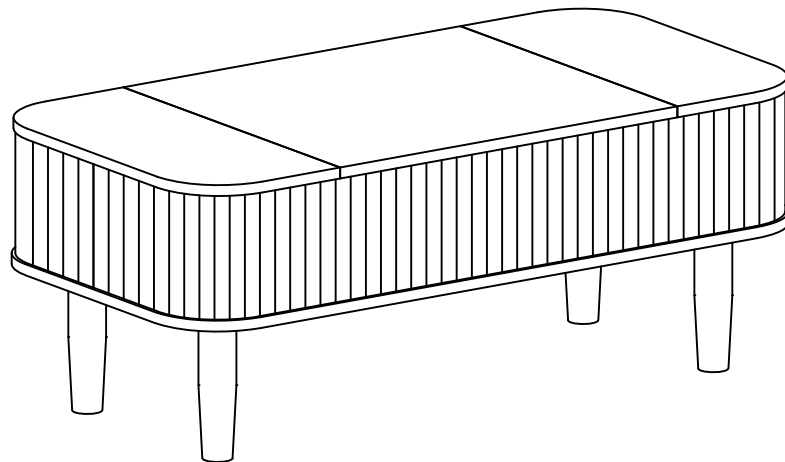
Step 12



Step 13



Step 14



Two people work together to move the table.
Make sure you lift it off the ground.
Don't push and pull.