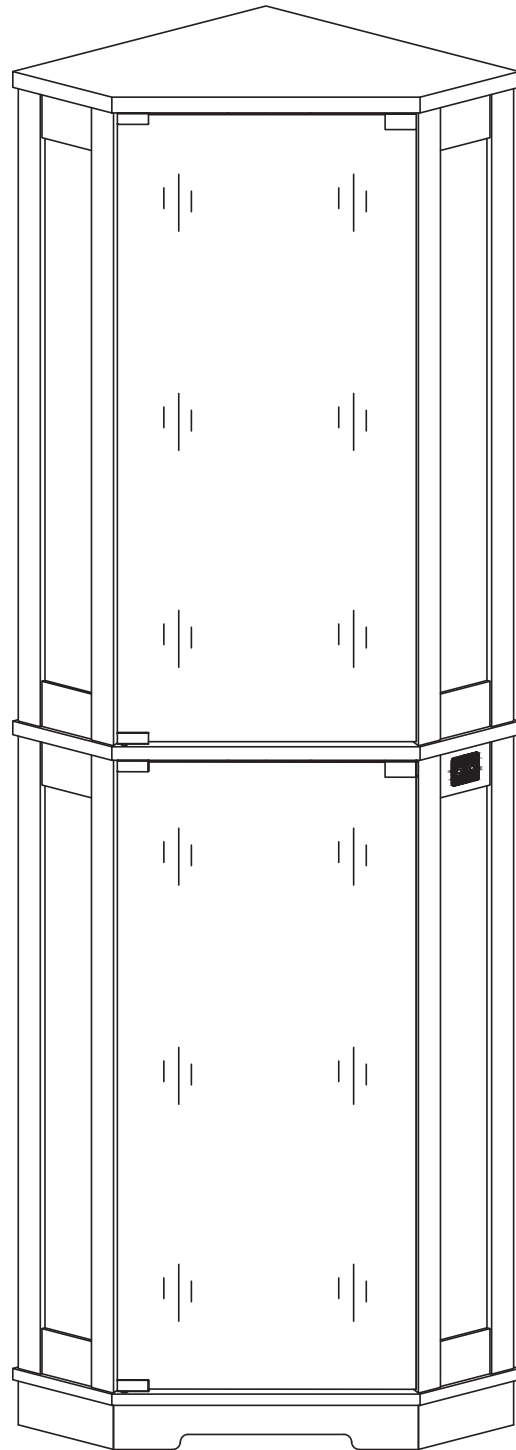
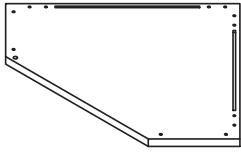
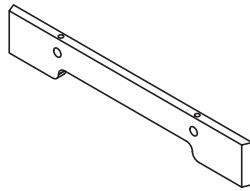


Product Installation Instructions

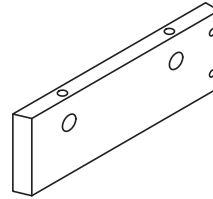




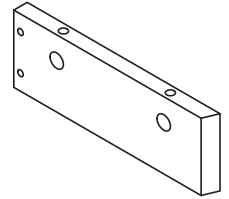
Ax1



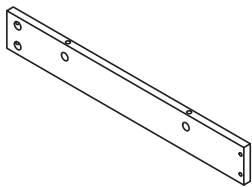
Bx1



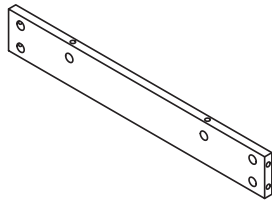
Cx1



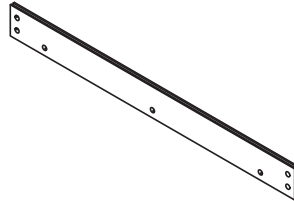
Dx1



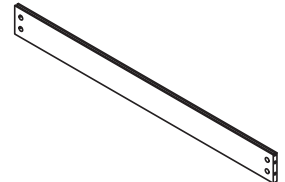
Ex1



Fx1



Gx6



Hx2



Ix3



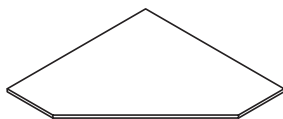
Jx1



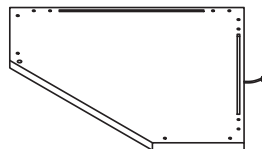
Kx2



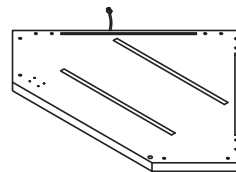
Lx2



Mx4



Nx1



Ox1

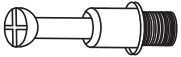



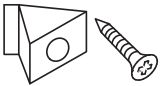

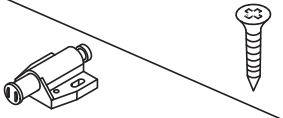







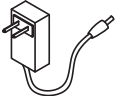


Px2

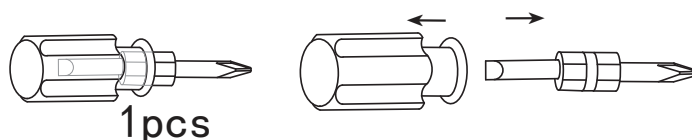


1

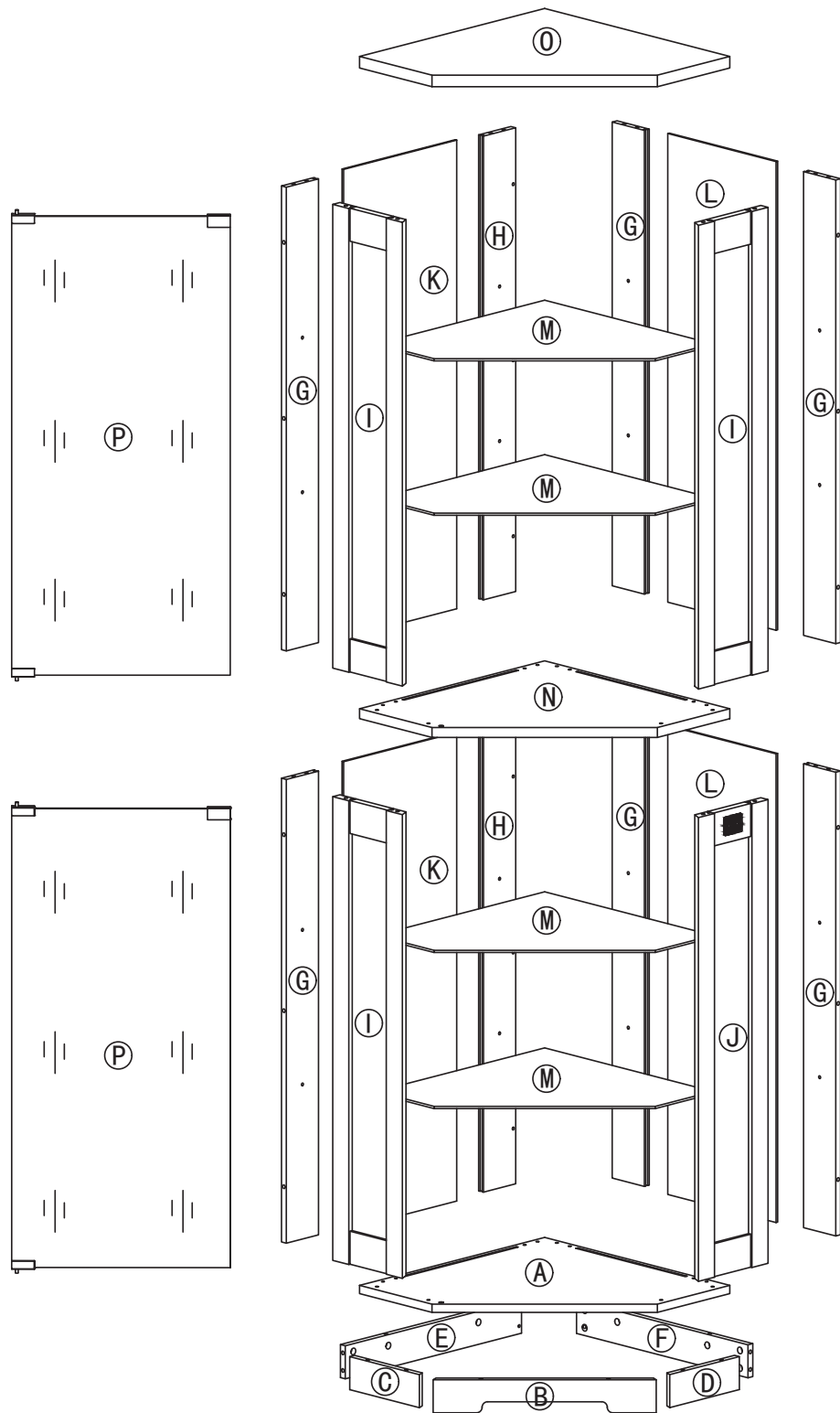
Accessories list

①		Two in one screw (6x28mm)	82pcs +6pcs		
②		Two in one nut (10x12mm)	82pcs +6pcs		
③		Non-slip pads (50x10)	6pcs		
④		Wire clamp	3pcs +1pcs		
⑤		Fixing clip & screw (3x16mm)	24pcs +3pcs		
⑥		Laminate Support Nail	24pcs +2pcs		
⑦		Rebound device & Screw (3x16mm)	8pcs +1pcs 2pcs		
		Rubber ring	4pcs		
		Iron sheet & Hinge	2pcs		
⑧	Anti Fall Hardware	 x2 (3.5x14mm)  x2	 x2	 x2 (4x45mm)	 x4
		AC/DC Adapter (12V=2.0A)	1pcs		

Double-head screwdriver, use as required

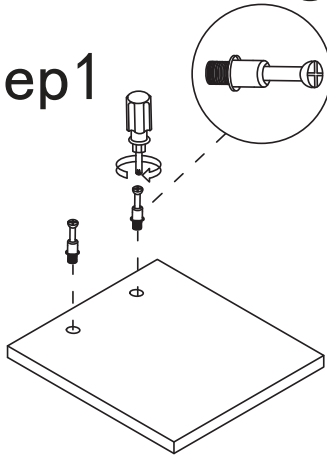


Product structure decomposition

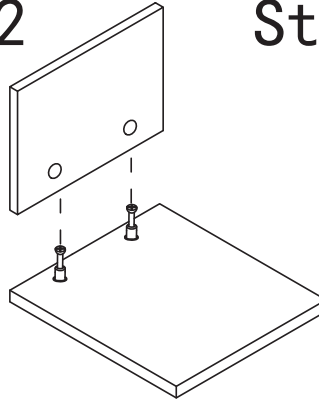


Use parts ① and ②

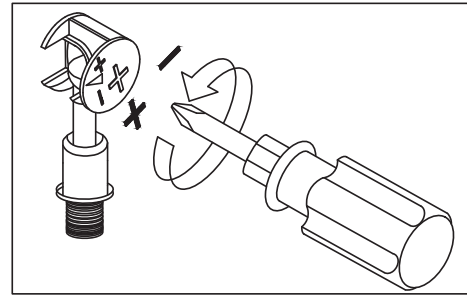
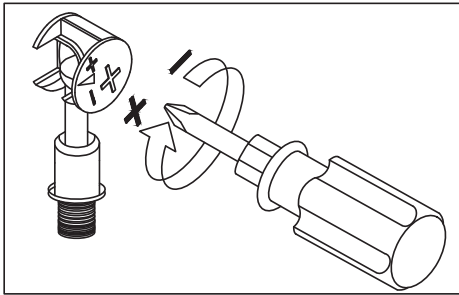
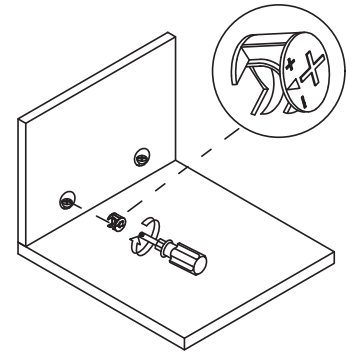
Step1



Step2



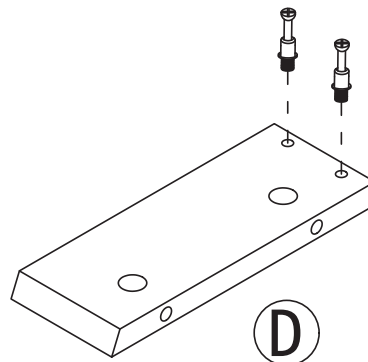
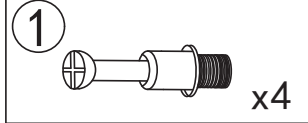
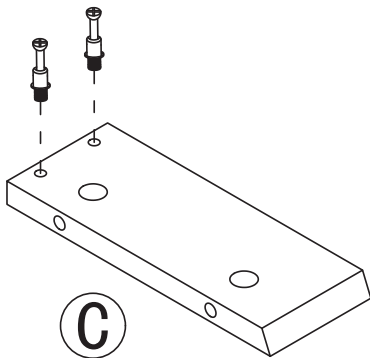
Step3



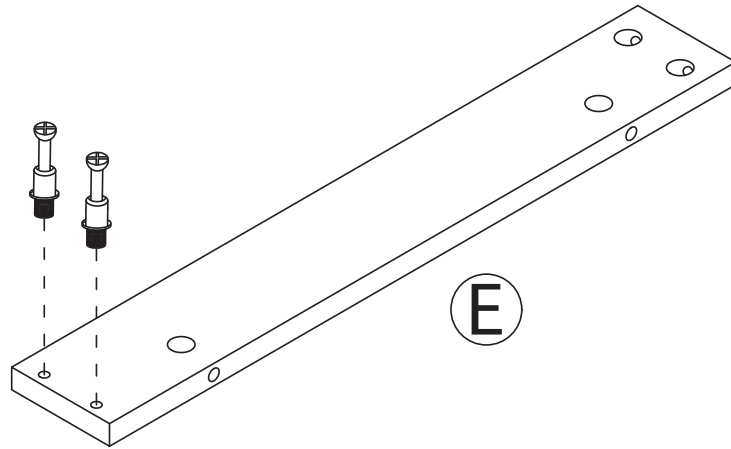
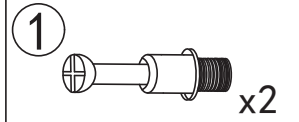
Use a screwdriver to lock in the direction of the "+" sign

Disassemble along the direction of "-" sign

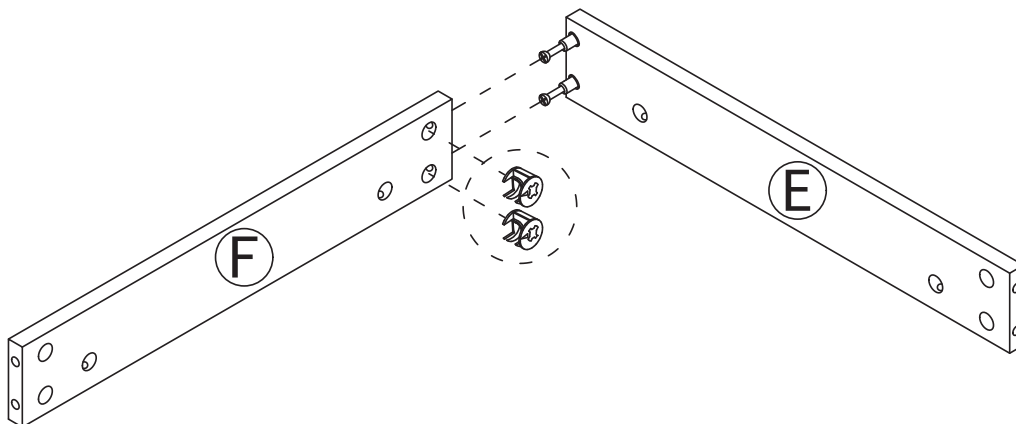
Step 1



Step 2



Step 3

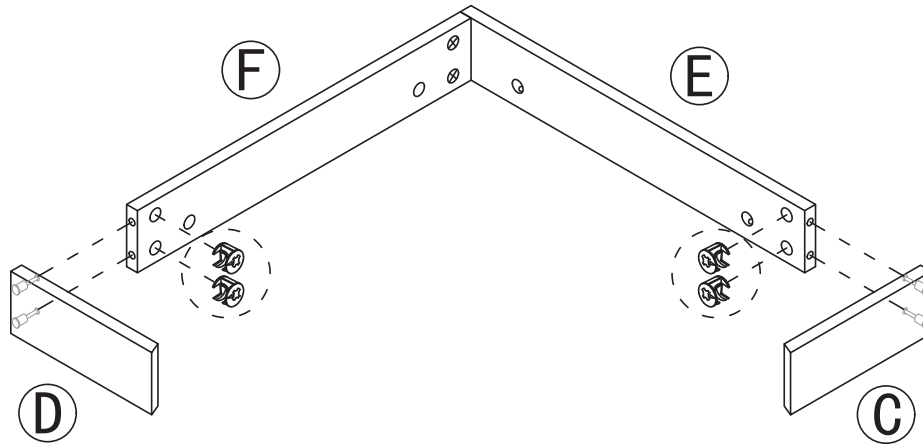


Step 4

2

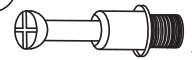


x4

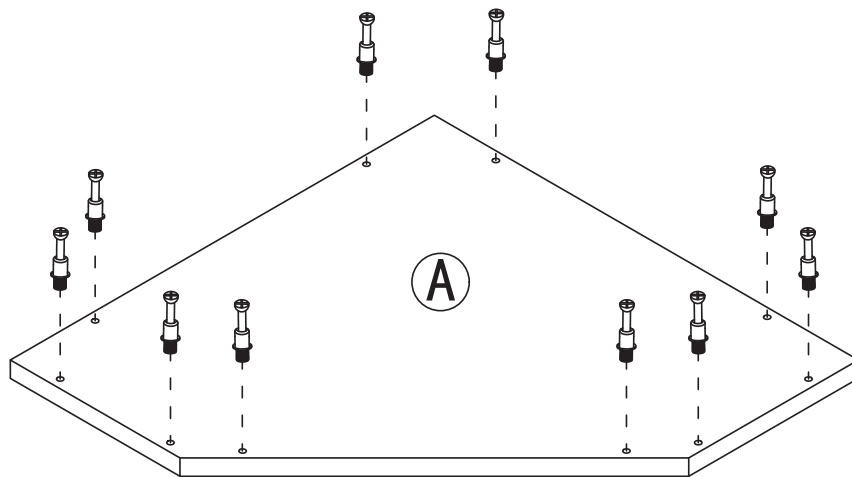


Step 5

1



x10



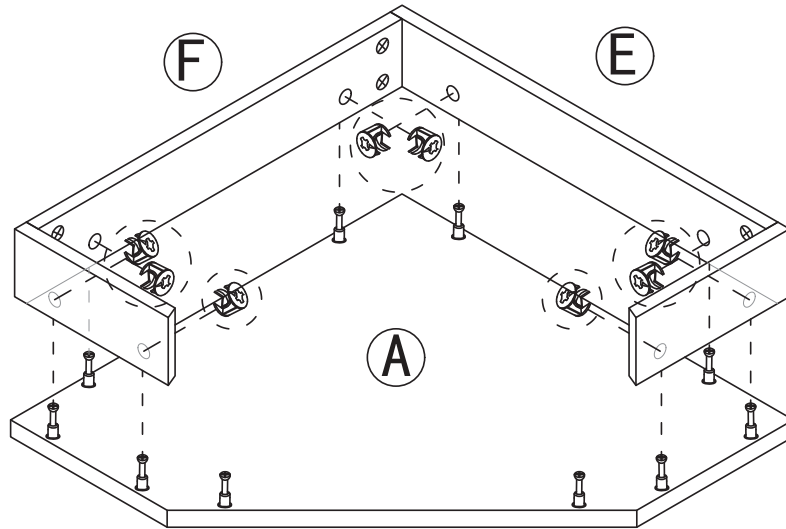
6

Step 6

2



x8

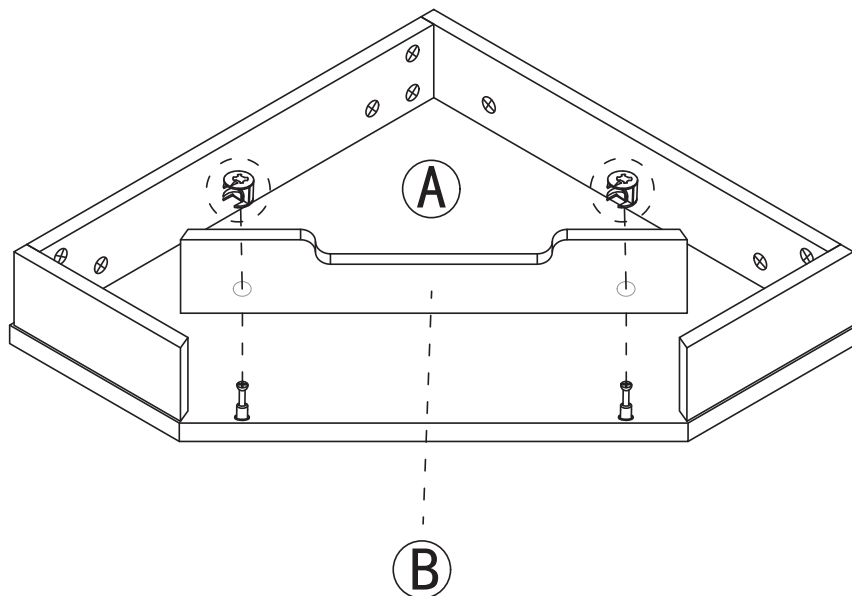


Step 7

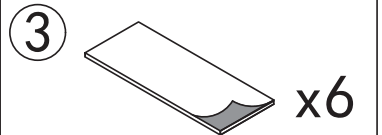
2



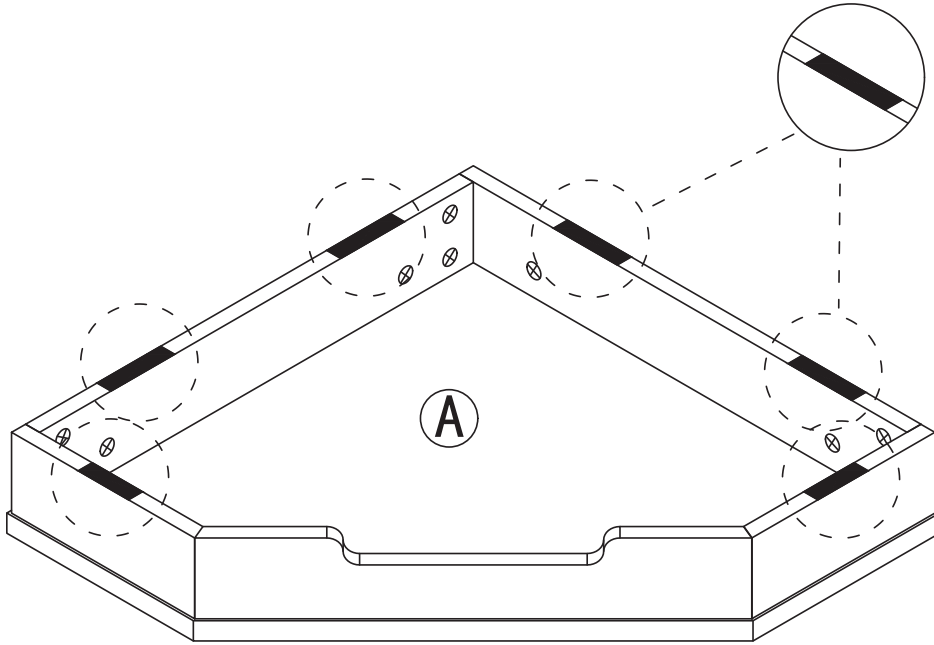
x2



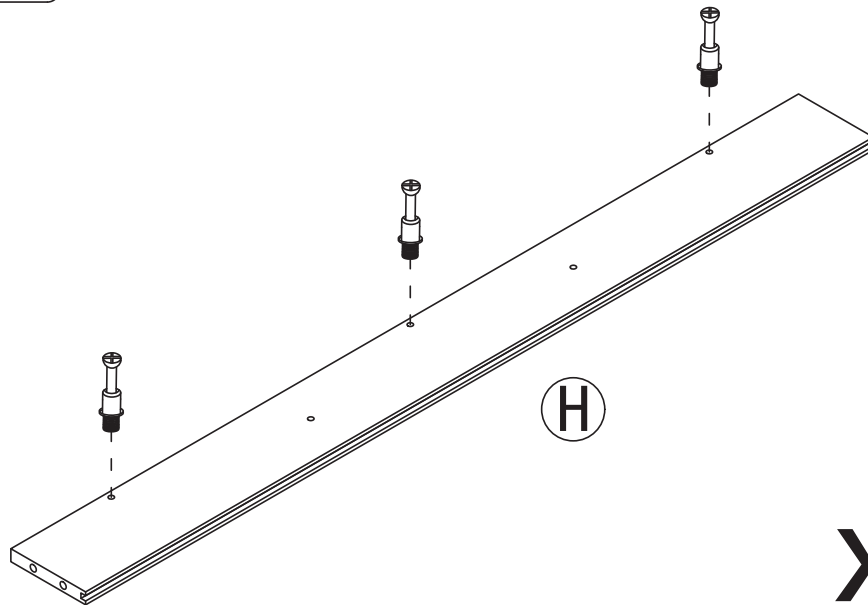
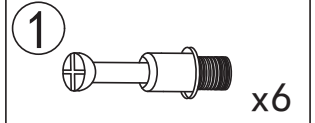
Step 8



Tear off release paper and stick the black foot pad on the board



Step 9



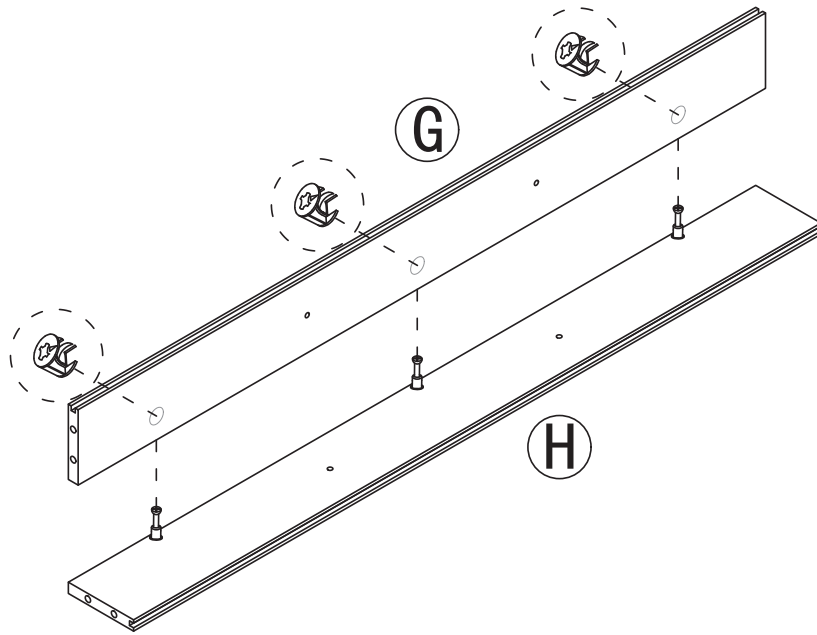
x2

Step 10

2



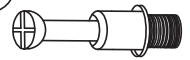
x6



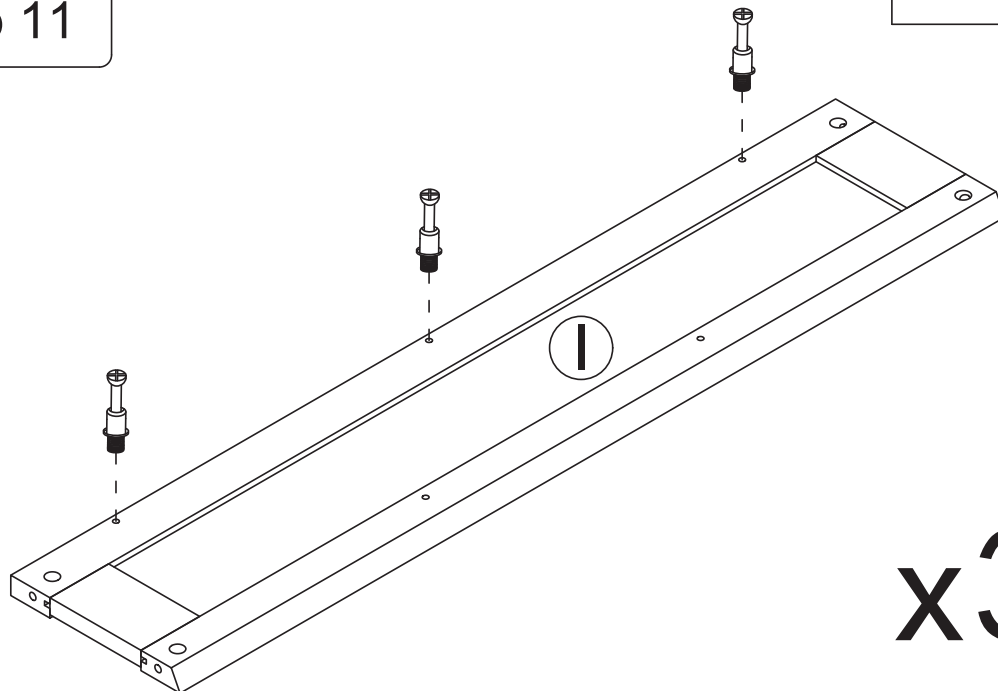
x2

Step 11

1



x9



x3

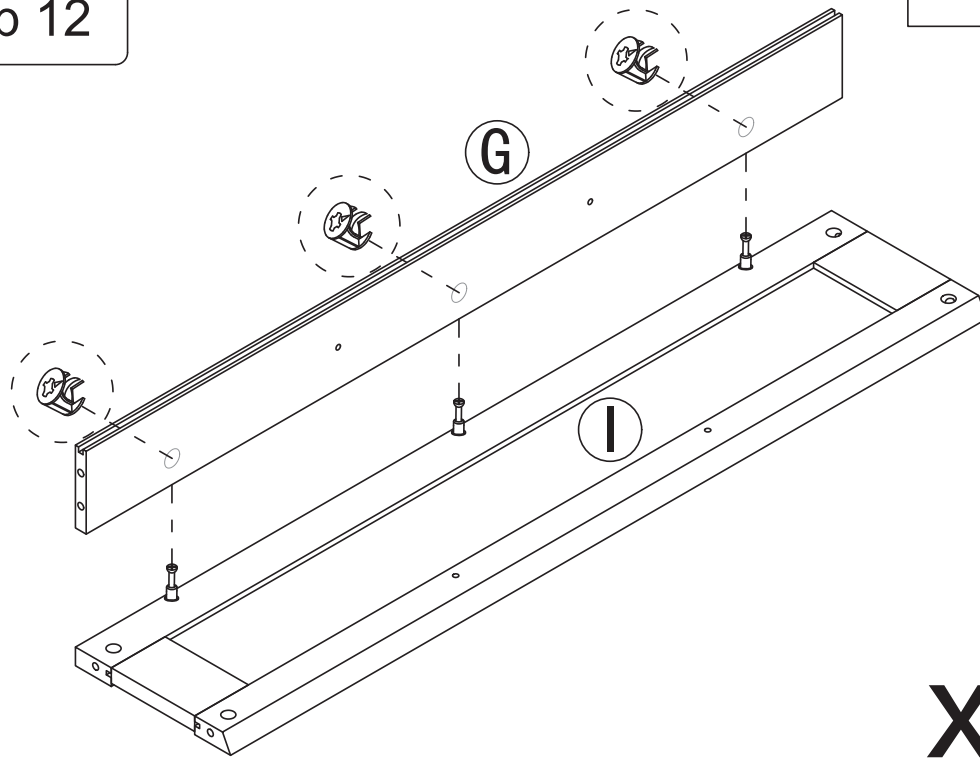
9

Step 12

2



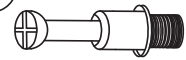
x9



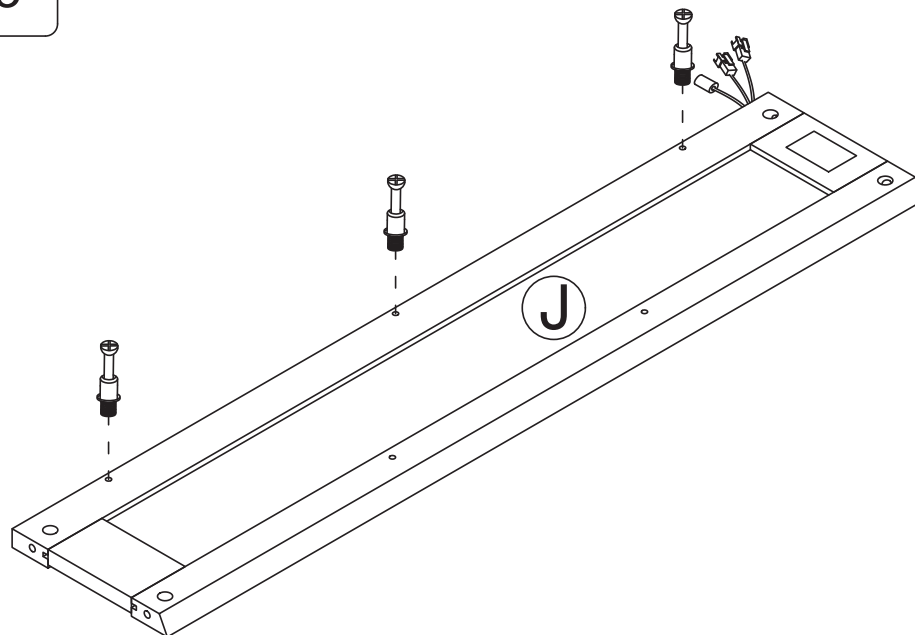
x3

Step 13

1



x3



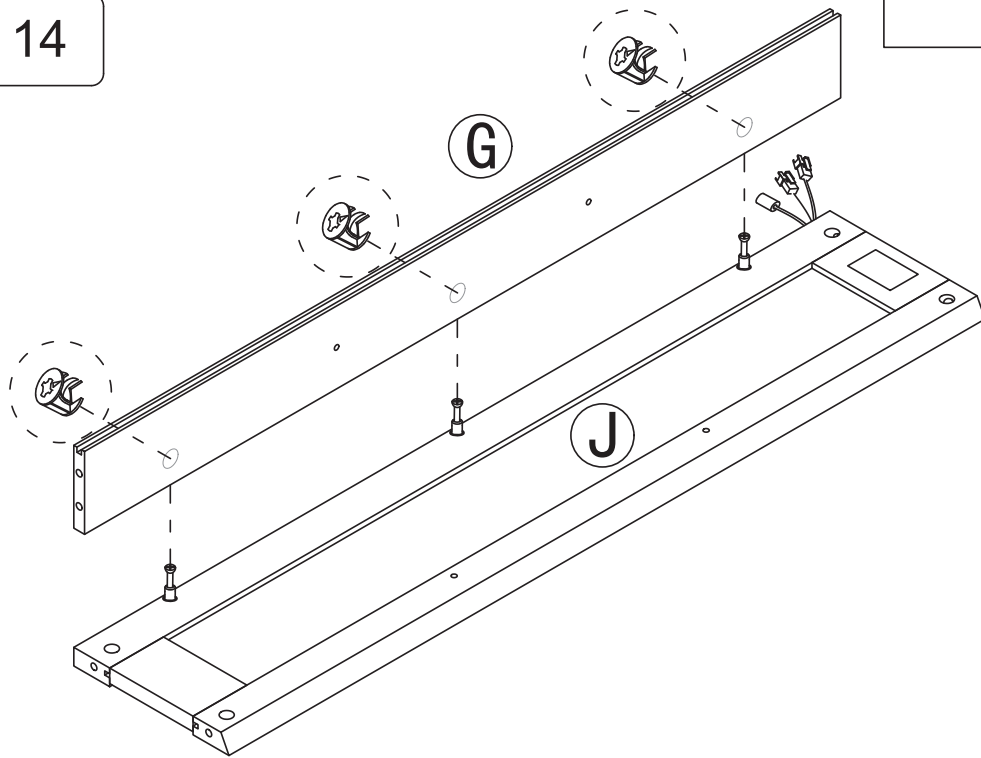
10

Step 14

2

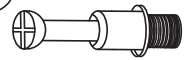


x3

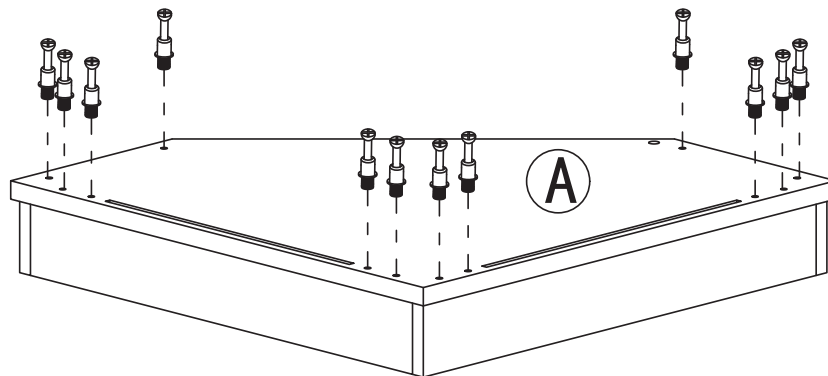


Step 15

1



x12

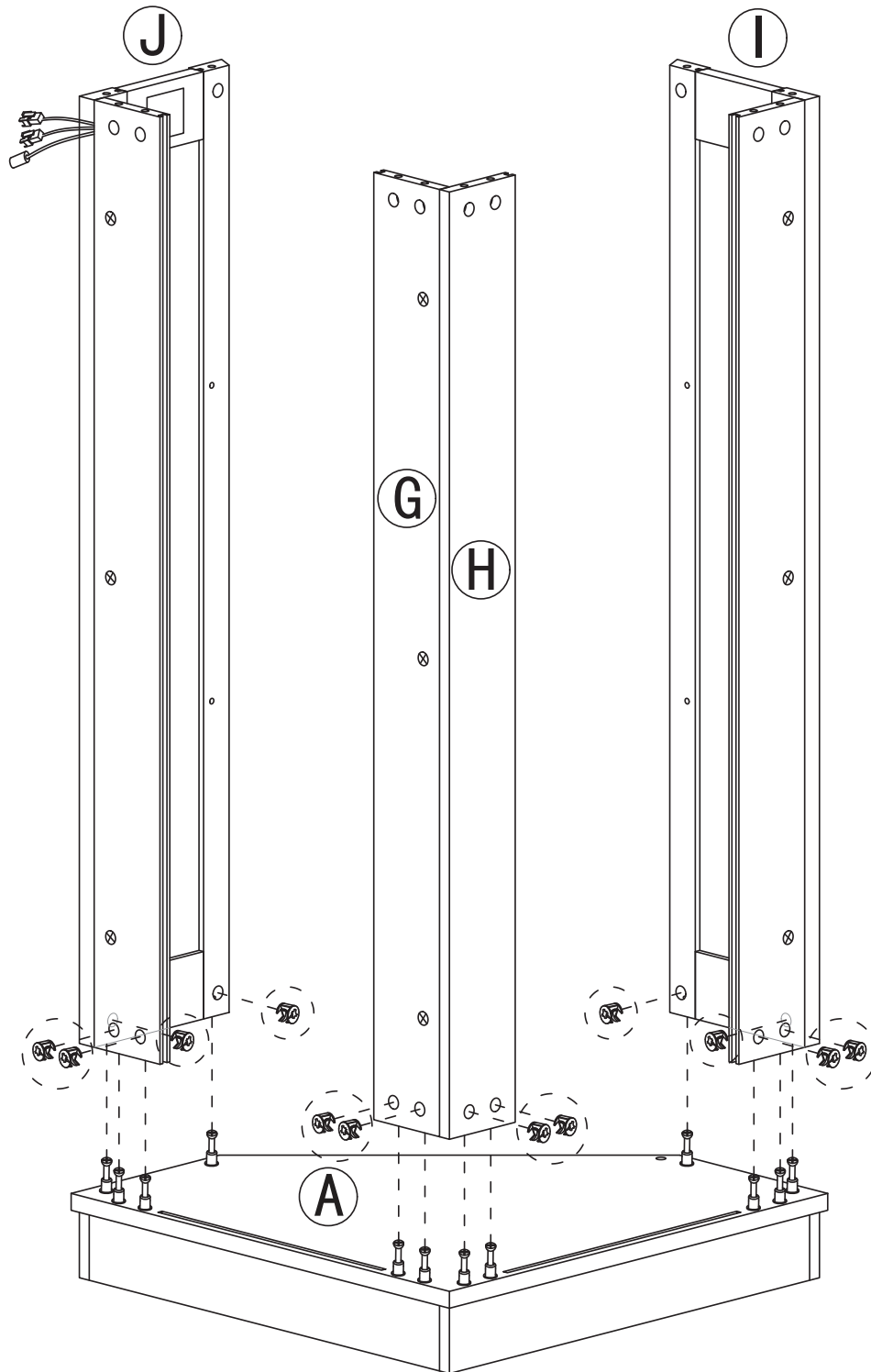


Step 16

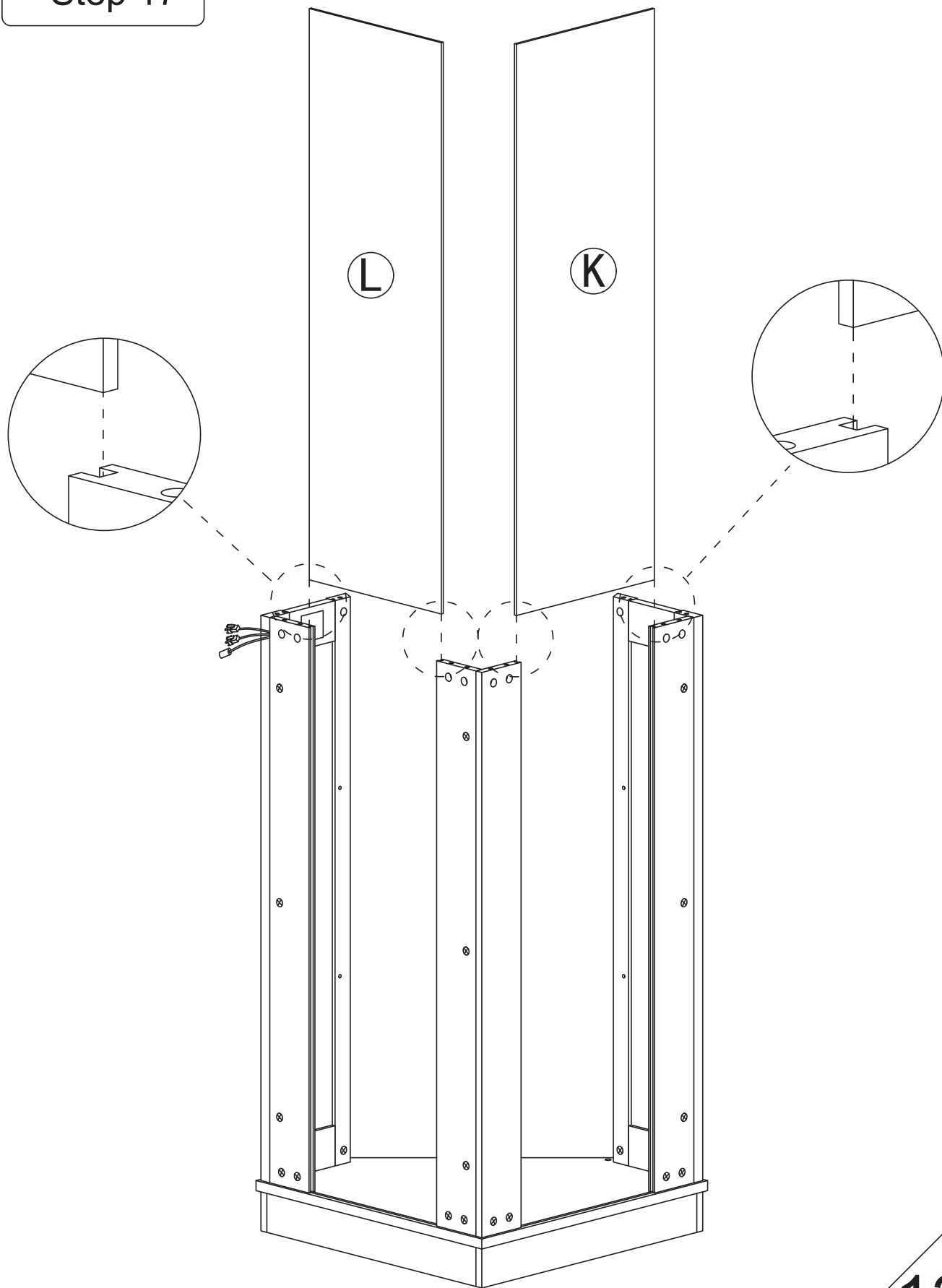
2



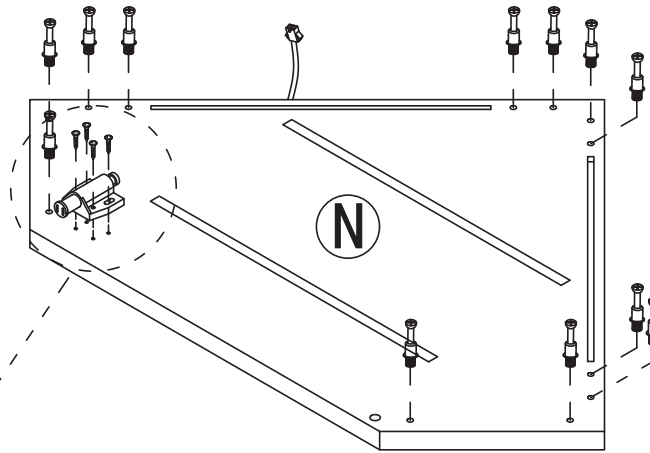
x12

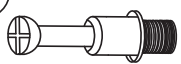




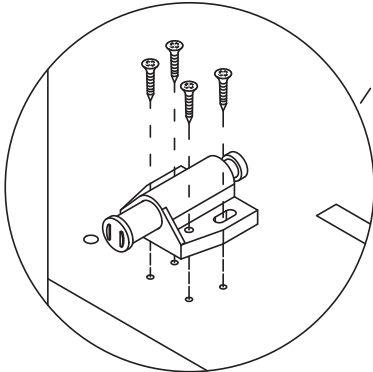
Step 17



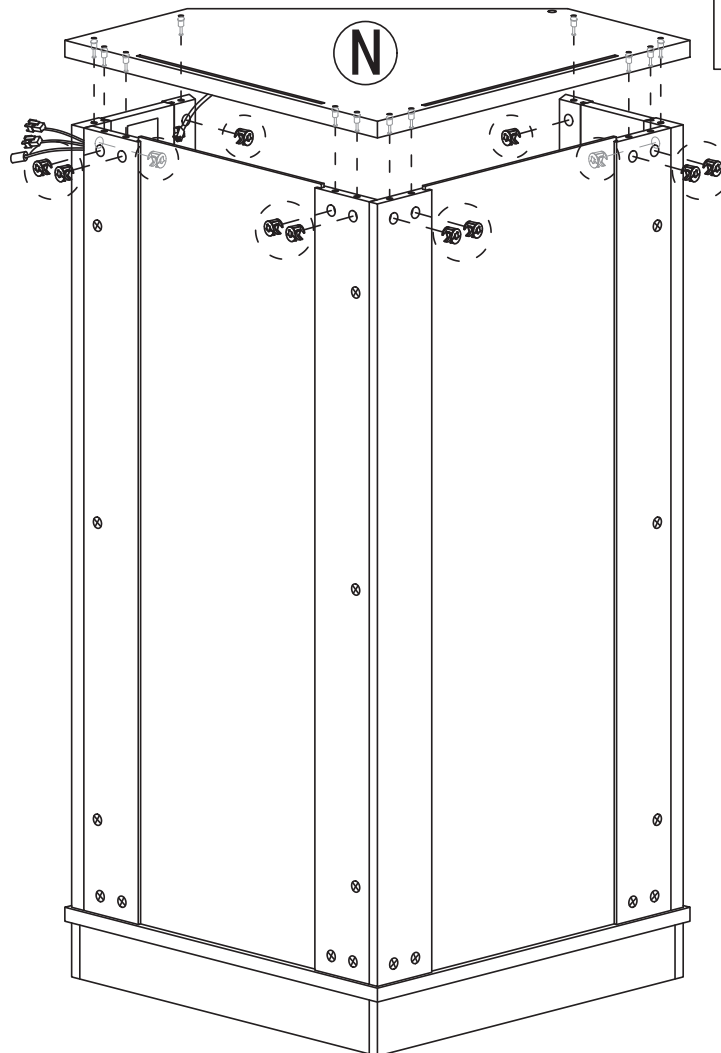
Step 18




- 1  x12
- 7  x1  x4

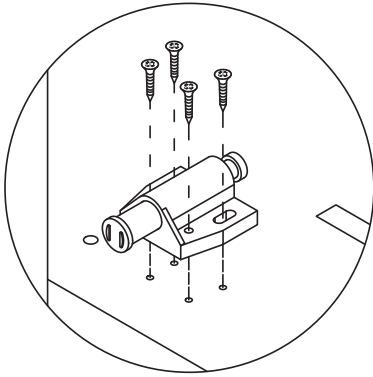
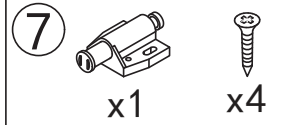
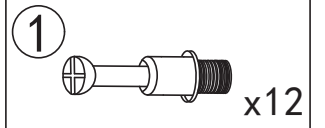
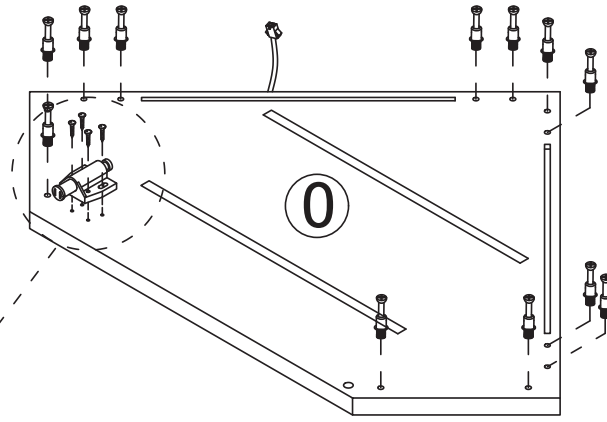


Step 19

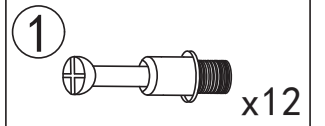
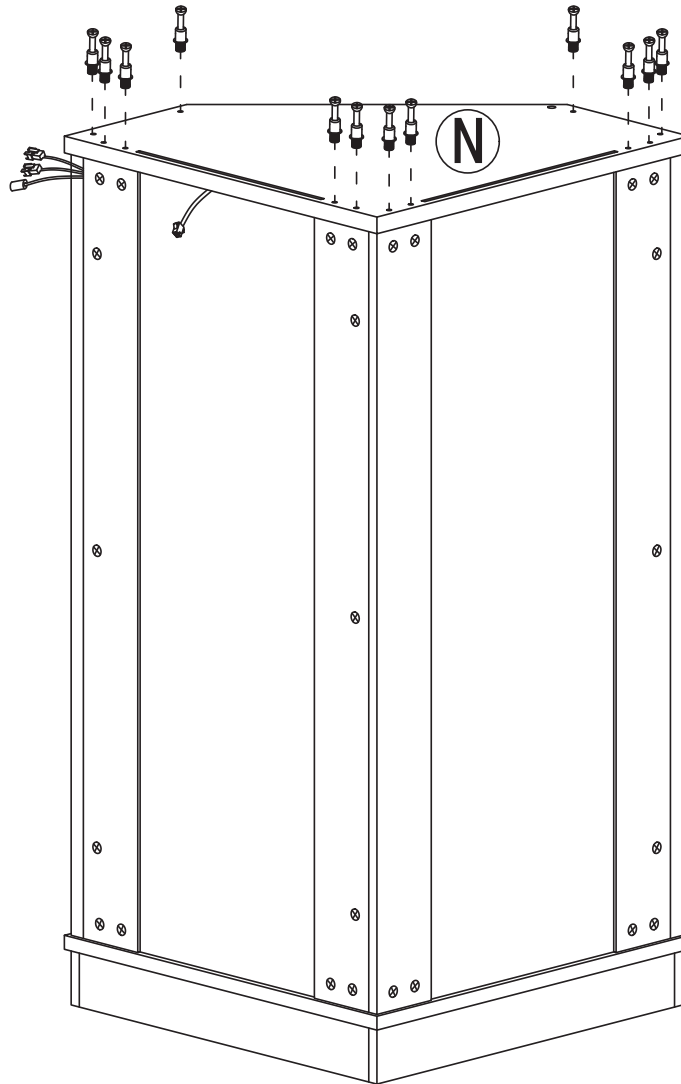


- 2  x12

Step 20



Step 21

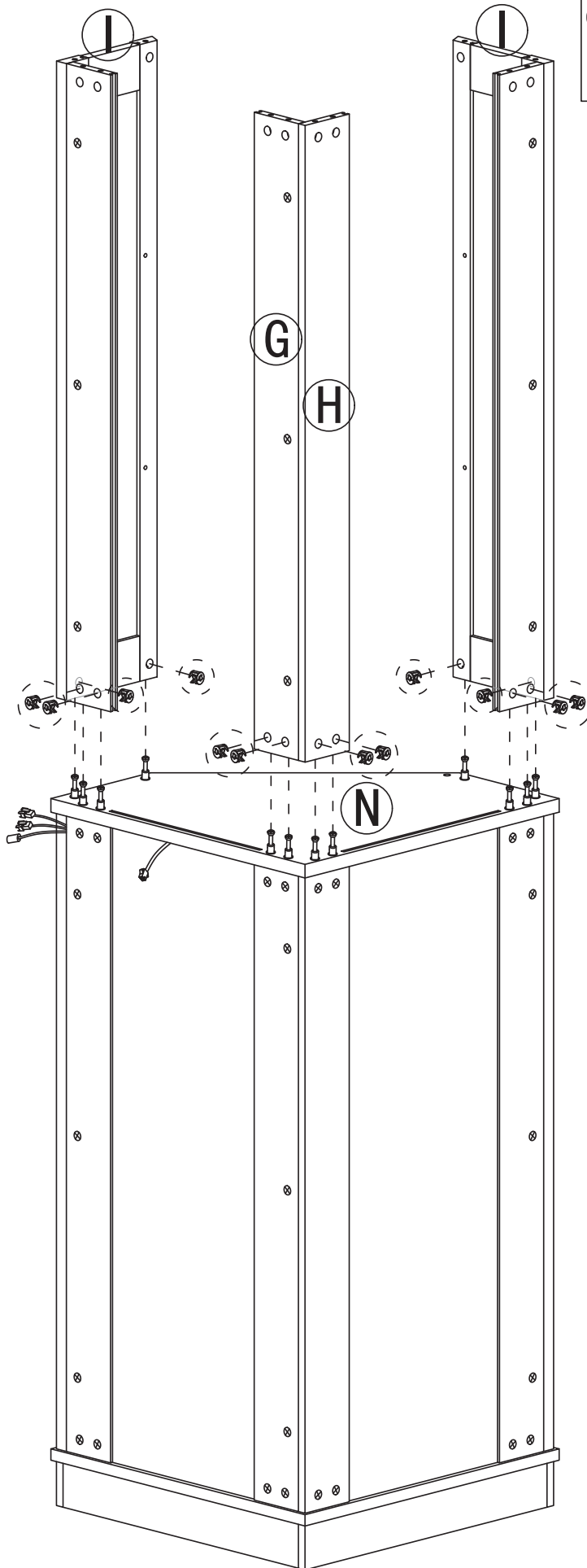


Step 22

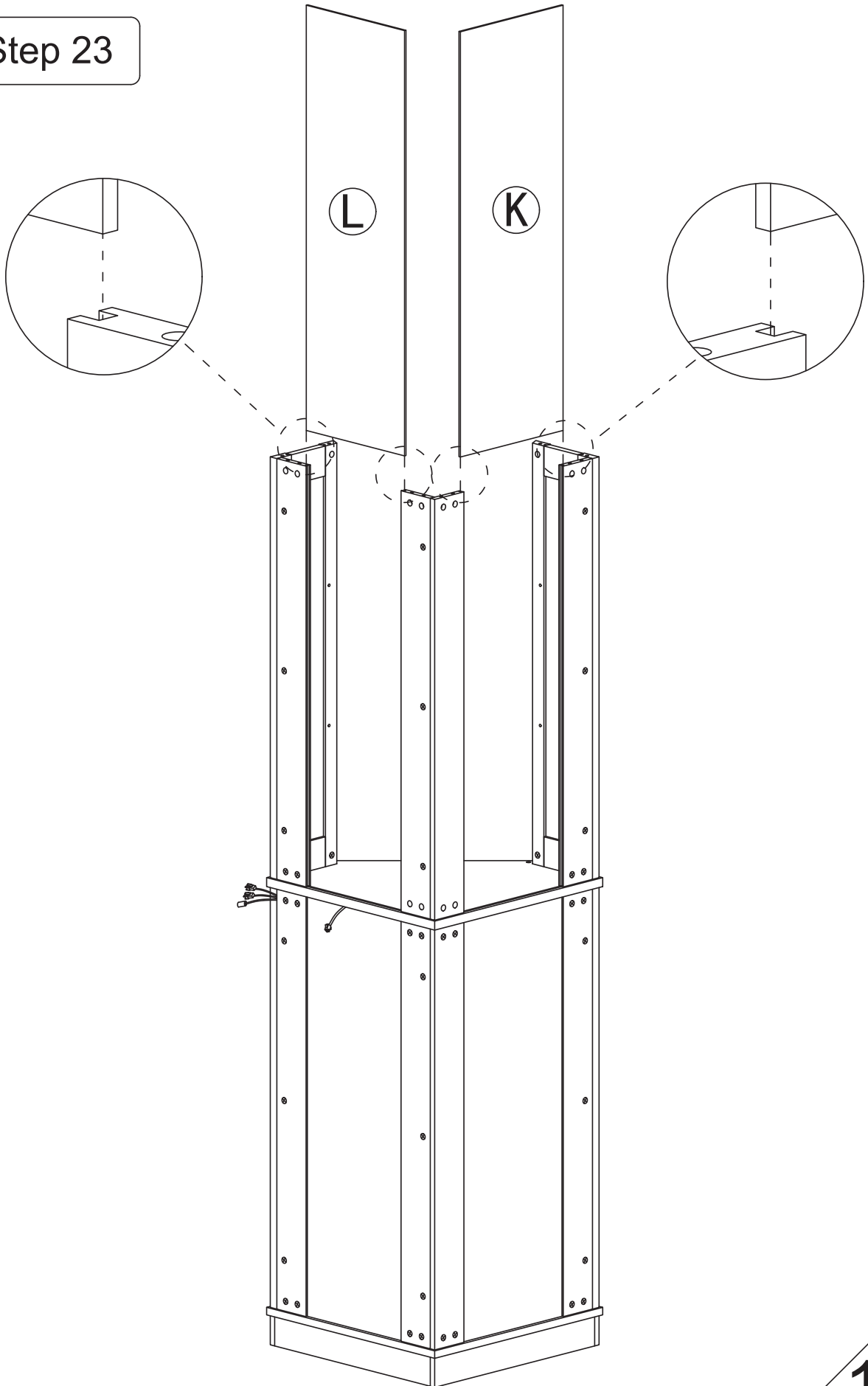
2



x12



Step 23

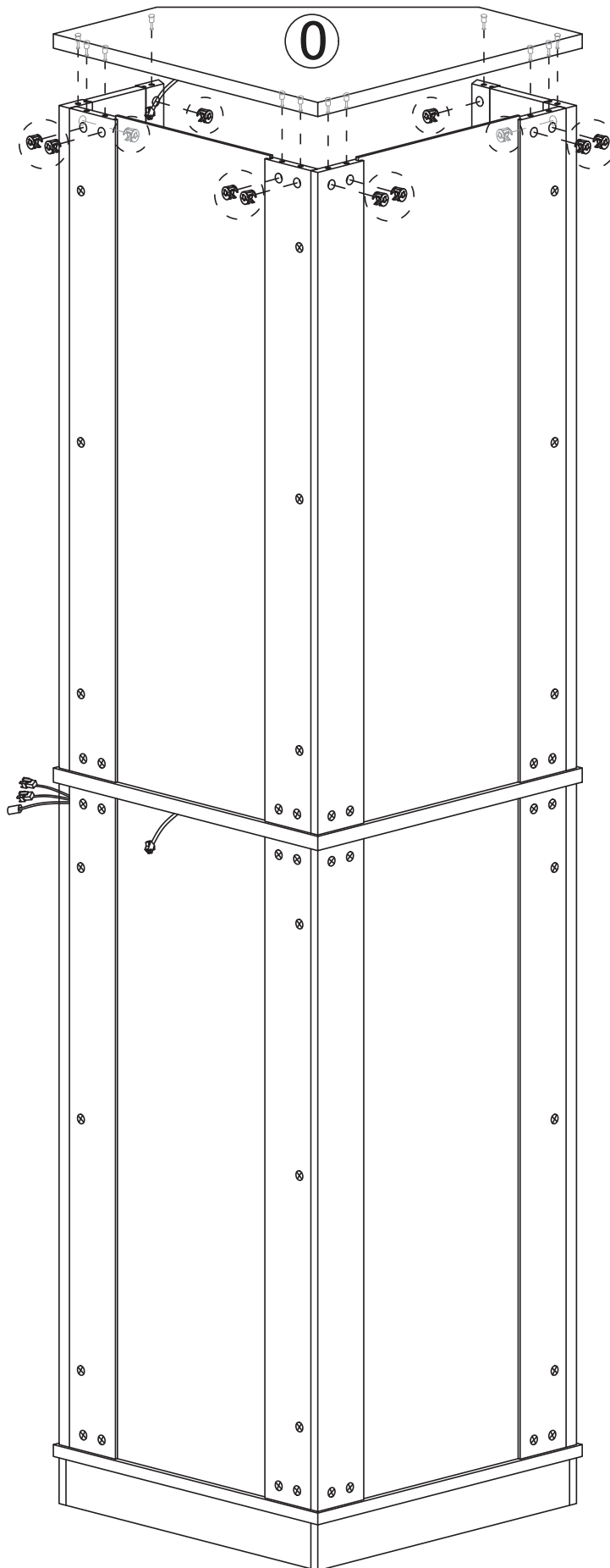


Step 24

2

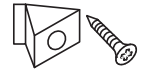


x12

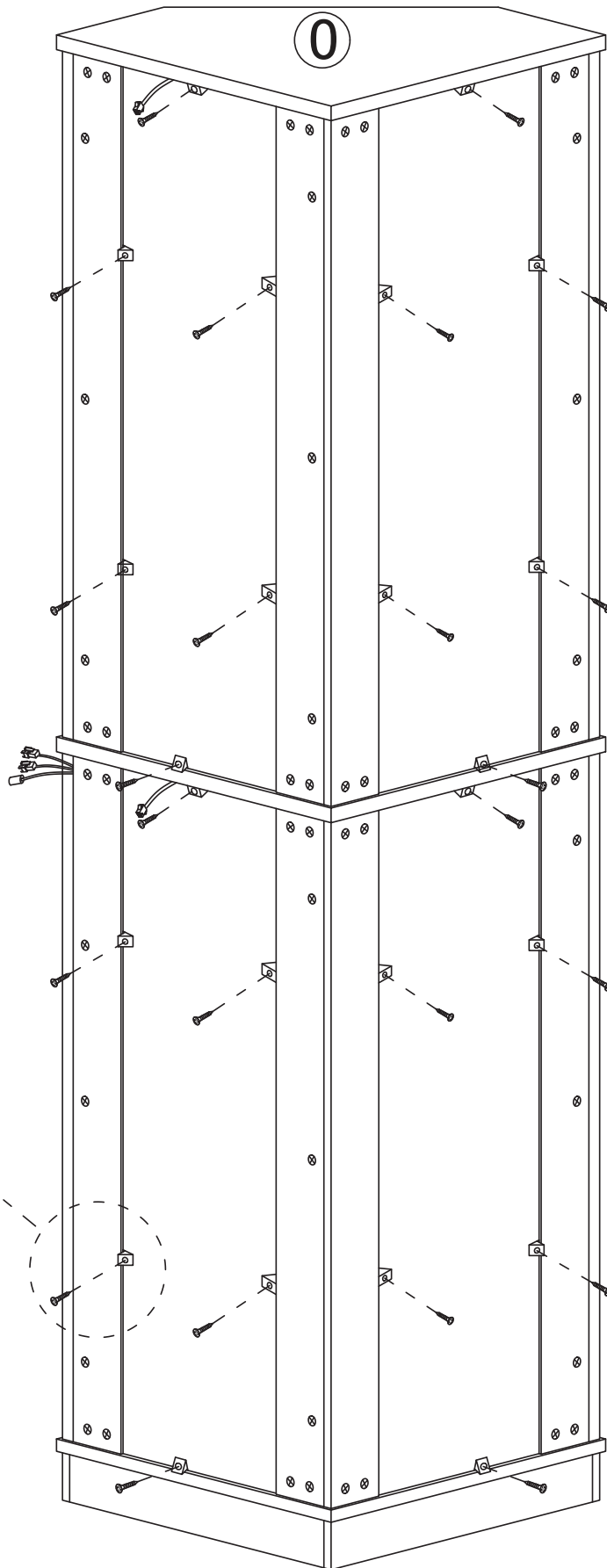


Step 25

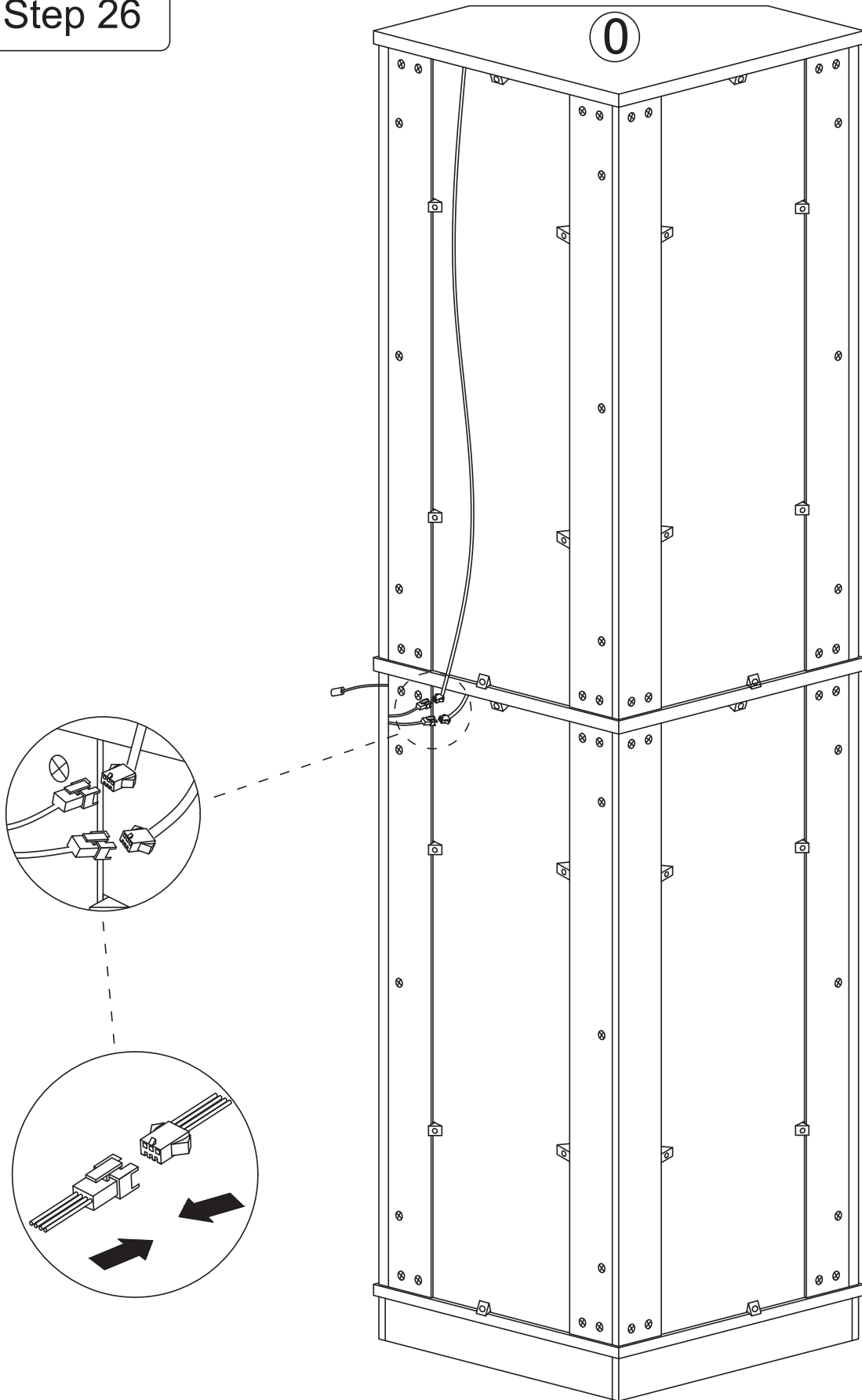
5



x24



Step 26



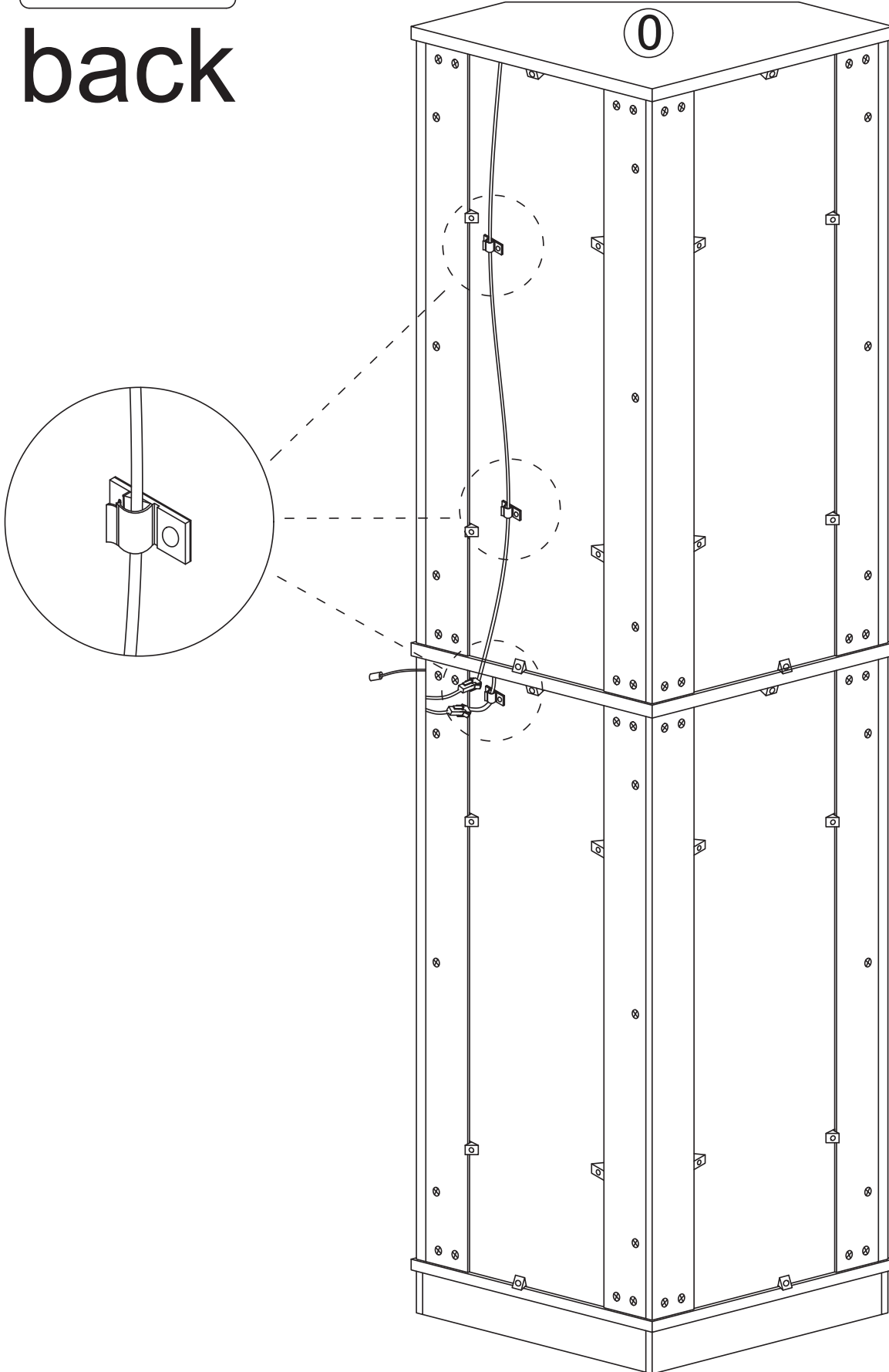
Step 27

back

4



x3



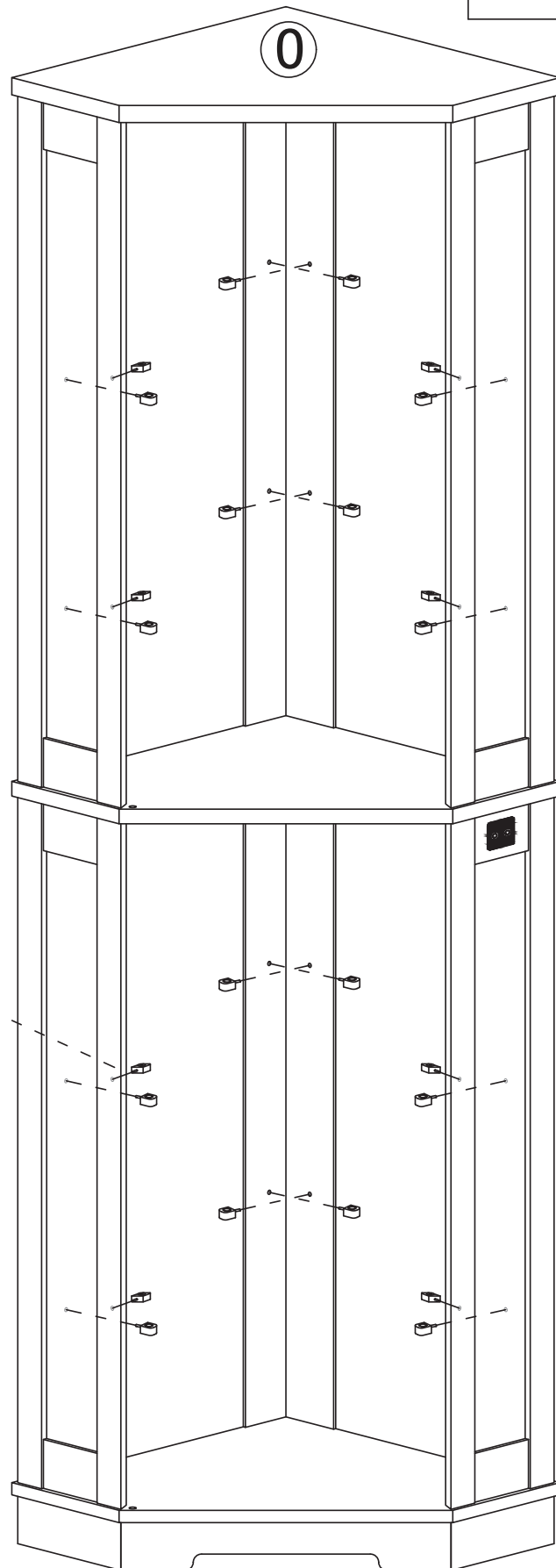
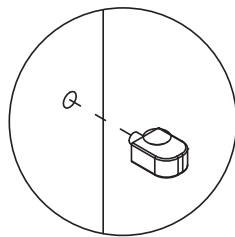
Step 28

front

6

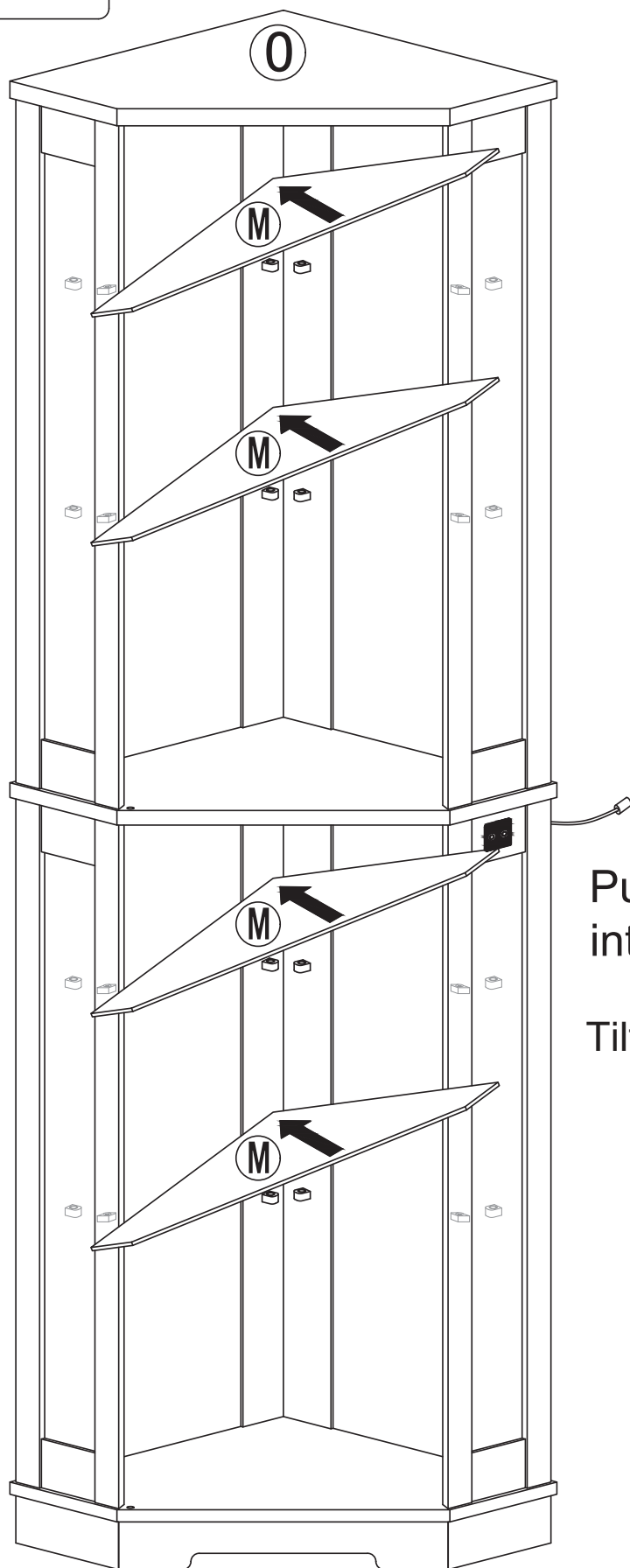


x24



22

Step 29



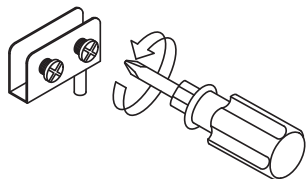
Put 4 pieces of glass
into the cabinet in turn.

Tilt the glass and put it in.

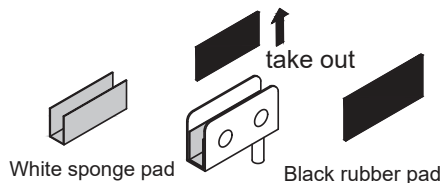
M x4

Step 30

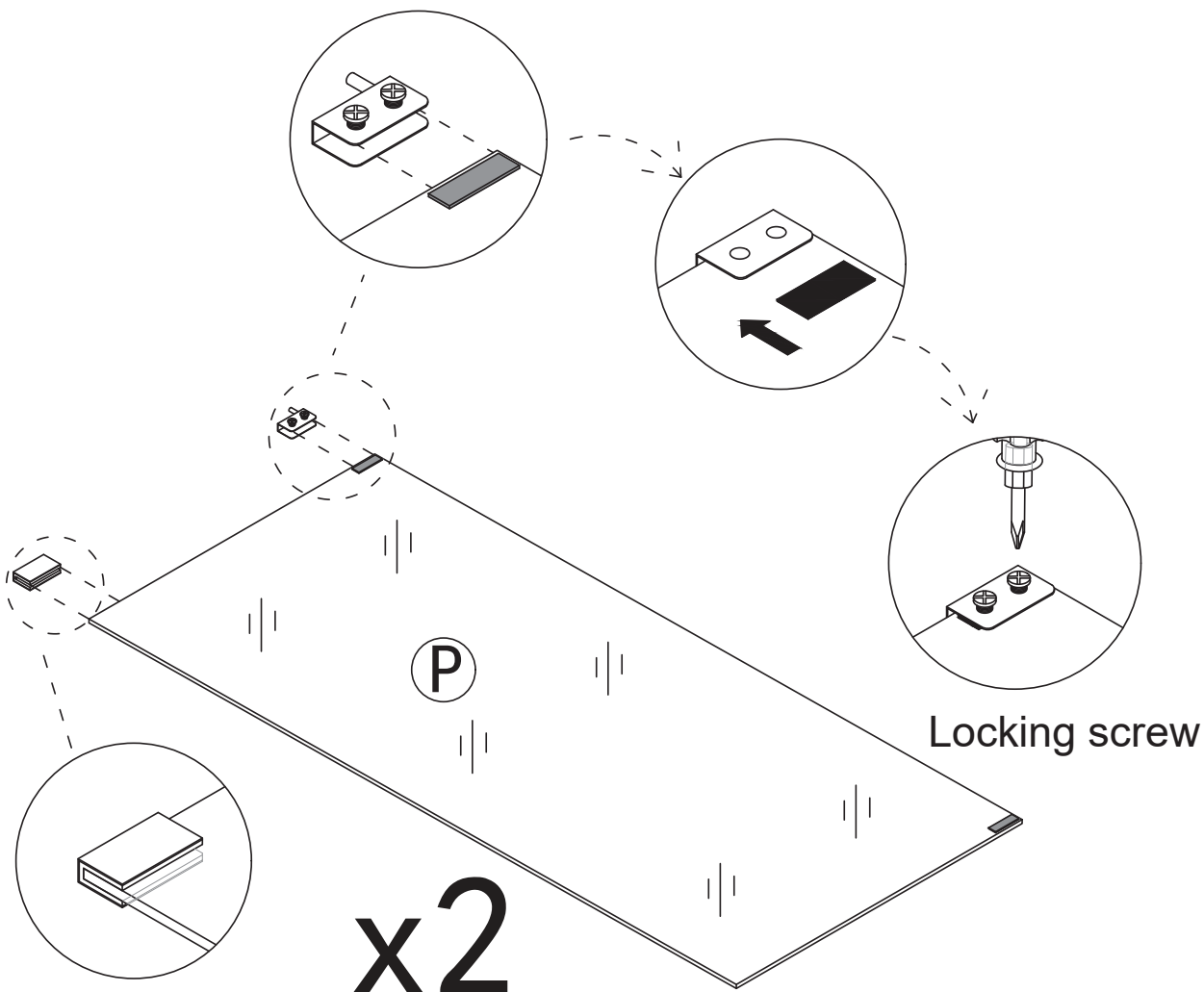
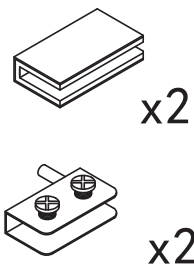
First, completely unscrew the screws on the parts



Then take out the black rubber pad from the inside of the part, and the white sponge remains unchanged inside the part.



7

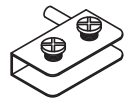


Pay attention to the direction of the door hinge, rotate the screws to compress the black gasket, and do not place it in the opposite direction

Place the black gasket on the side where the screws are installed

Step 31

7

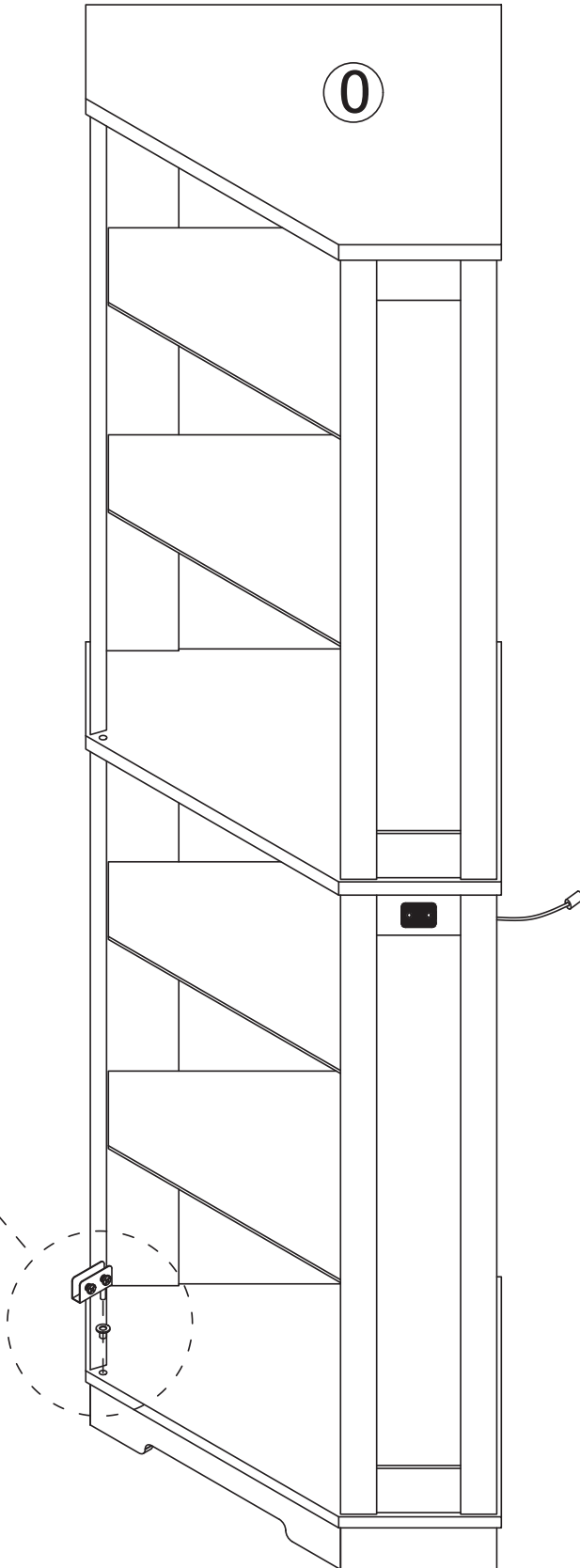
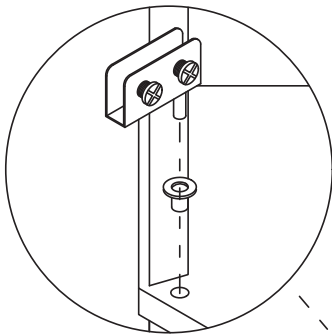


x1



x1

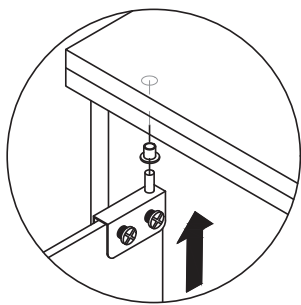
0



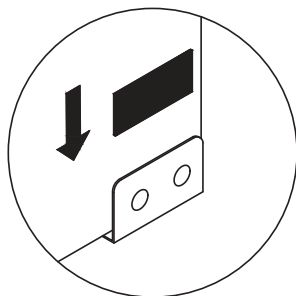
Step 32

Pay attention to the direction of the door hinge during installation

When installing a glass door, it is recommended to have two people install it to avoid the glass door colliding or hitting oneself.

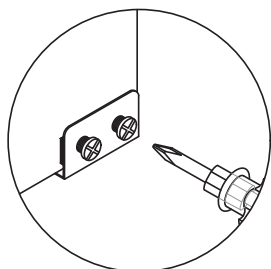


first



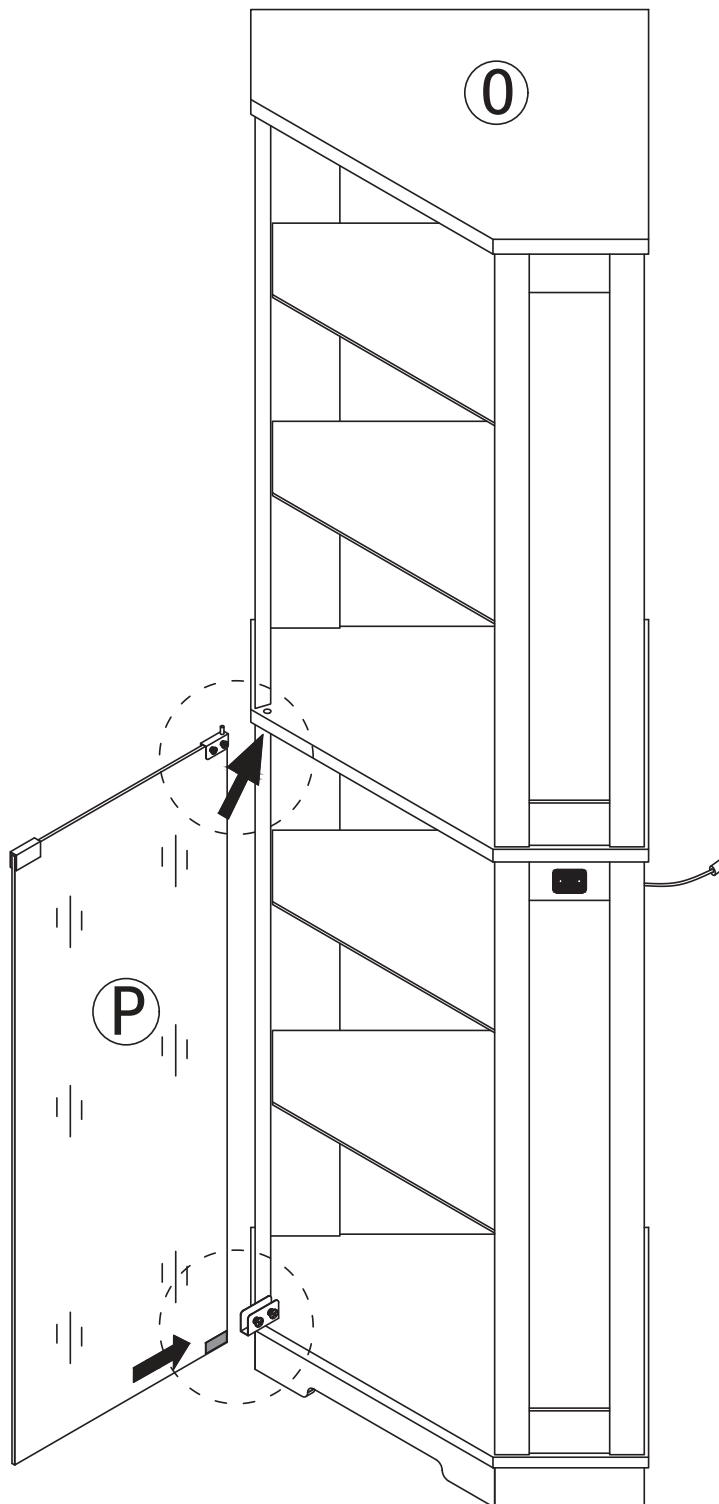
second

After installing the glass door, place the black gasket on the side where the screws are installed



third

Locking screw



Step 33

7

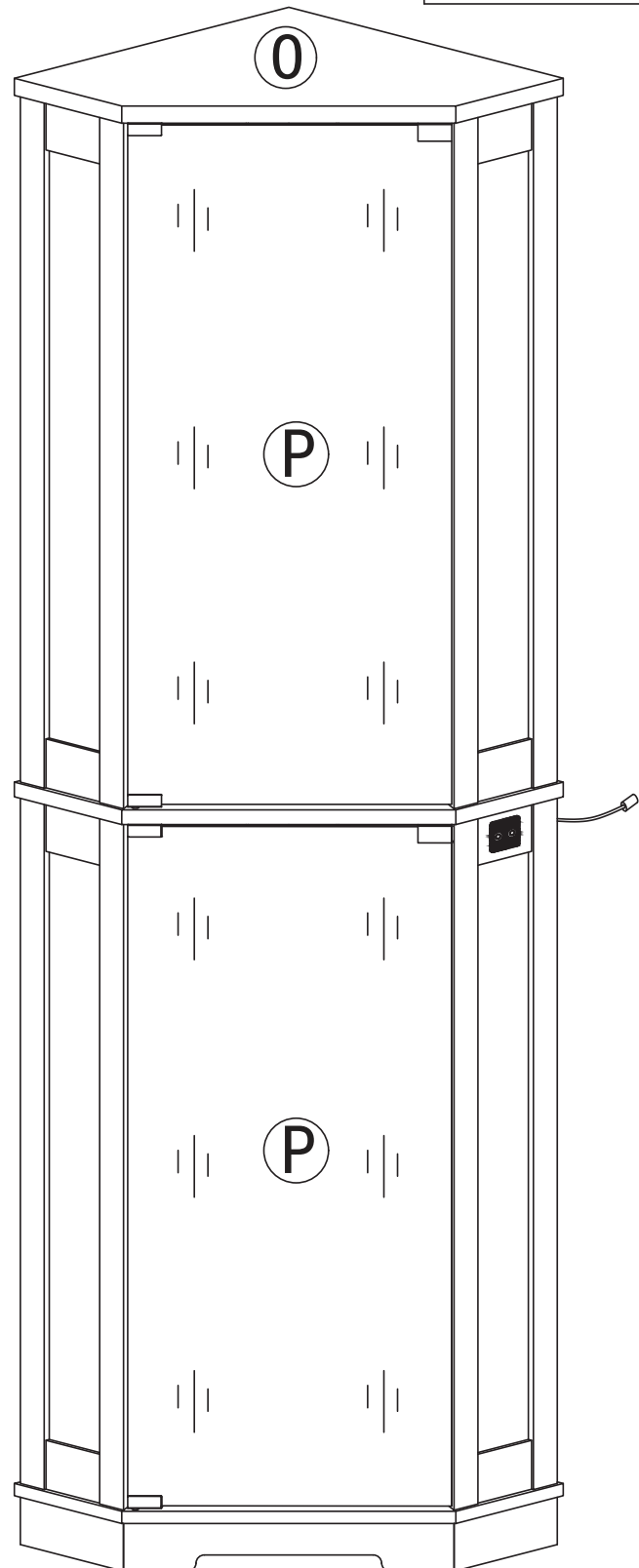
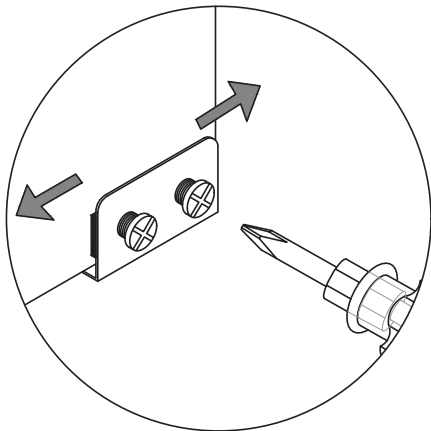


x1



x2

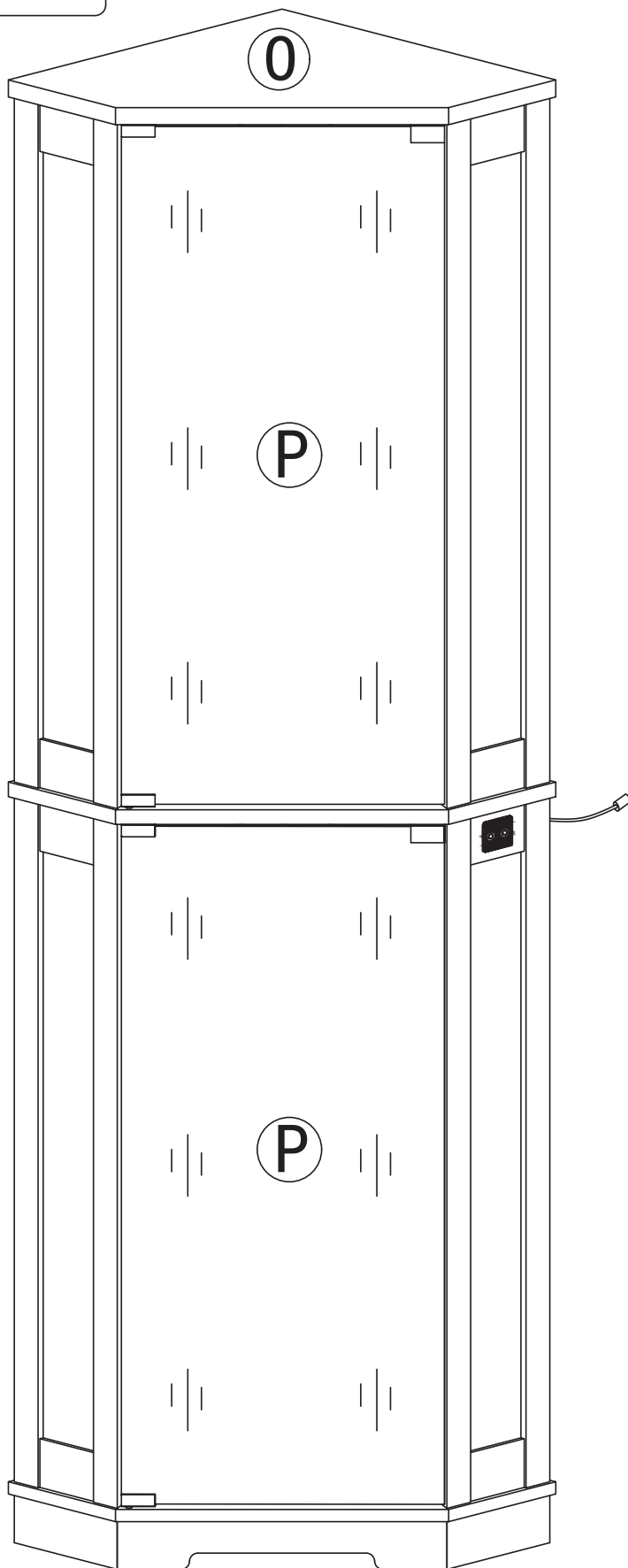
Note: after installing the glass door, it is found that there is a scraper on the side. You can loosen the No.7 screw and adjust the glass door left and right to solve the scraping problem.



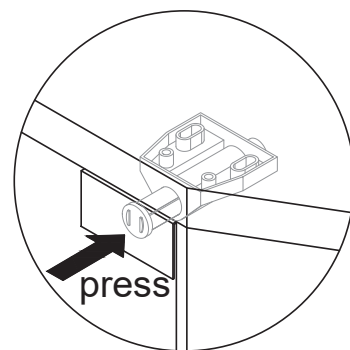
Repeat the door installation steps.

27

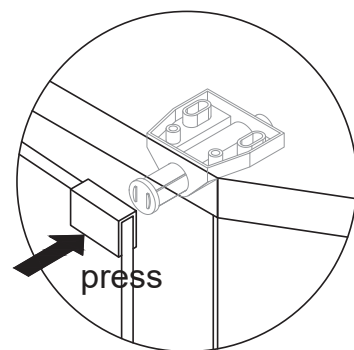
Step 34



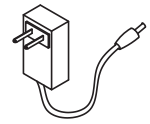
Open the glass door



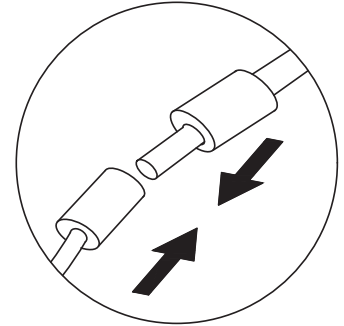
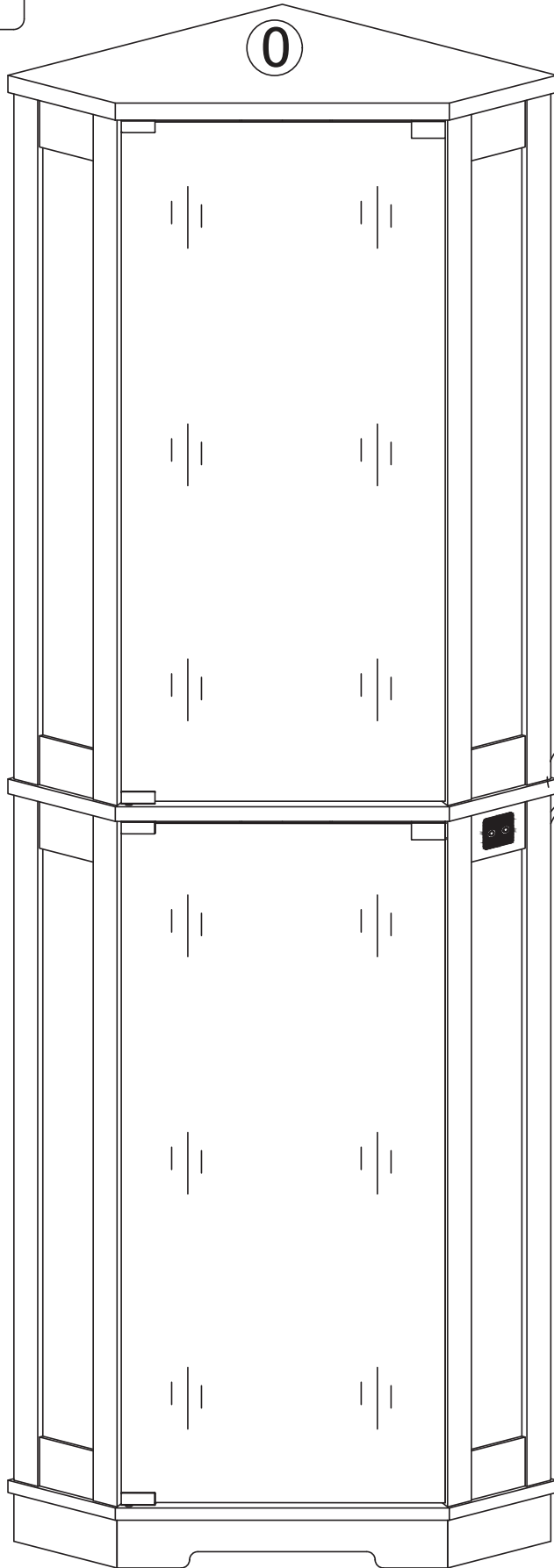
Close the glass door



Step 35



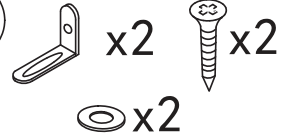
x1



Step 36

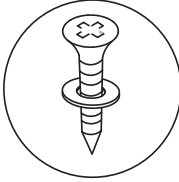
Note: Adjust the installation position of anti-fall hardware according to the actual situation.

8

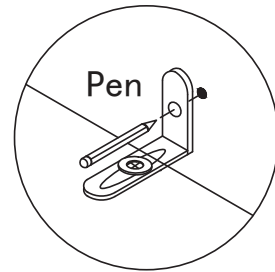
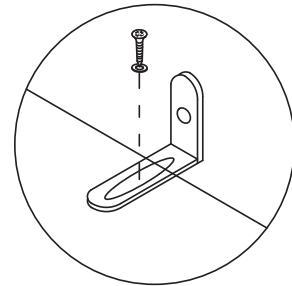
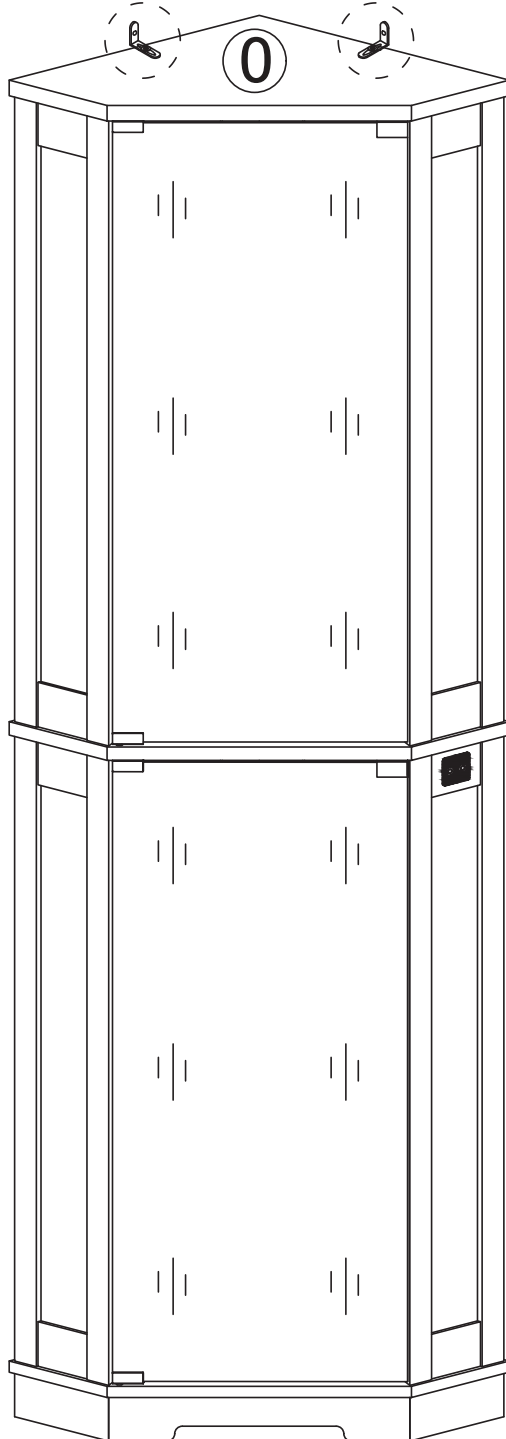


Install as required

3.5x14mm



Install the anti fall hardware on the cabinet as shown in the picture first

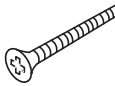



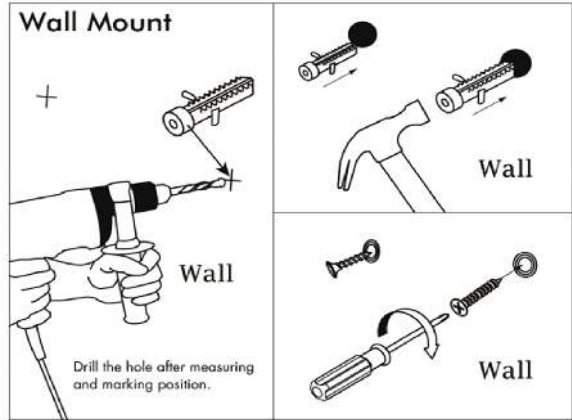
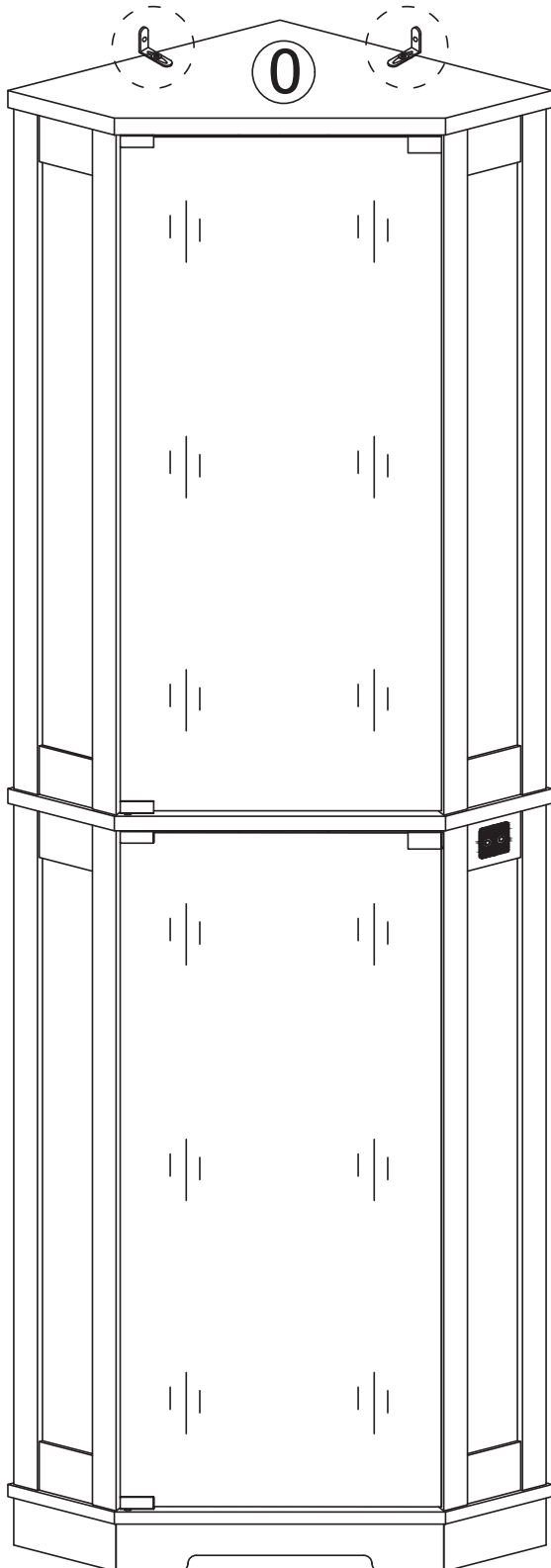
Then mark the wall with a pen through the holes in the anti-fall hardware

Step 37

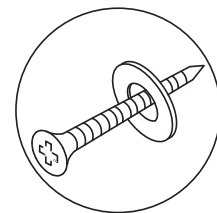
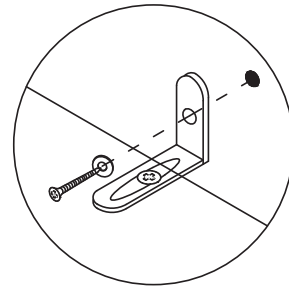
8

 x2

 x2  x2



Drill the hole with an electric drill and punch in the colloidal particles



4x45mm

Fix the dressing table to the wall

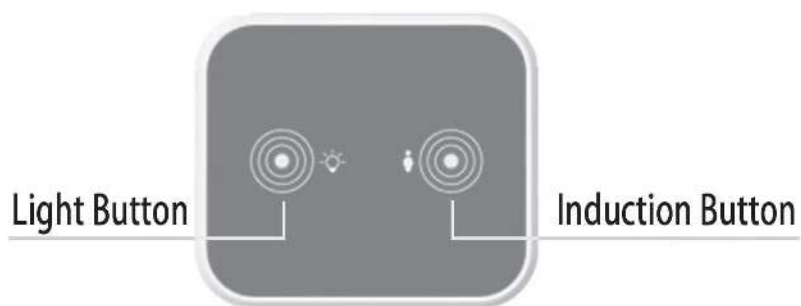
User's Guide

Thank you for purchasing this product. To use this product, please plug it into a 12V DC power supply. Please use if the product works normally after connecting to power.

Introduction

The box is an intelligent controller with 2 touch buttons. It can turn ON/OFF the light, change light colors, and adjust the light luminance.

Product Show



ATTENTION PLEASE

1. If there is no touch response suddenly, Re-plug the power to reset the touch static electricity.
2. If bubbles appear on the panel, remove the protective film.

Operation



This touch button is used to turn on/off, change colors, and adjust brightness.

A. Short touch -> lighting on -> short touch -> change light color -> short touch -> change light color -> short touch -> lighting off. B. Long touch -> adjust the luminance



This touch button is used to turn on/off the induction function.

A. Short touch to turn on the induction function. It can auto-turn on the light when people are close to the controller in 1 meters. It can auto power off the light when the body is far away from the controller after 30 seconds.

B. Long touch to turn off the induction function.

C. Note: When you touch the light button to change the light modes, the induction function will automatically turn off. It is best to turn on this function after selecting the light color and adjusting the brightness you want.