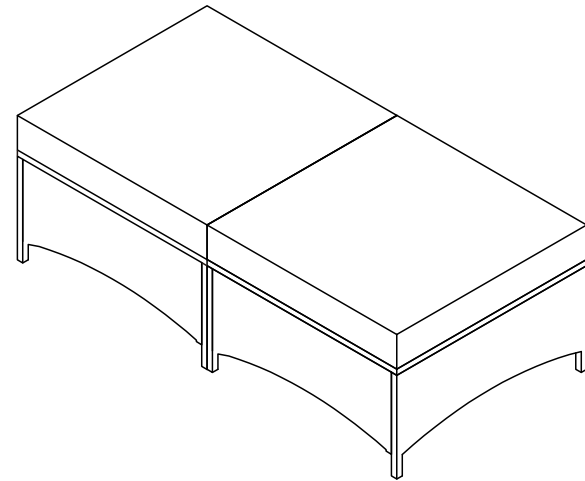


## WARRANTY

We strive to offer high-quality product and we also try our best to satisfy each customer that orders from us with product or service as needed.

Each customer a record of their order such as the order number, or item receipt for any items that are out of the warranty period you may also still receive replacement parts by purchasing them with our company if they are available.



---

### NOTE:

This brochure contains IMPORTANT safety info. Please read and keep for future reference.

---

# MAINTAINANCE AND WARNING

- Keep furniture away from heat and fire.
- Keep furniture away from sharp objects.
- Do not clean furniture with harsh cleansers or polish. Do not use detergents, Solvents, abrasives, spray packs or leather cleaner. Use non-color mild soap with warm water clean spills(Mix 1:10 soap to water)
- Do not place furniture under direct sunlight, material will possibly fade over time.
- Do not jump or strike on the furniture.
- Do not write on furniture without a padded barrier to protect the surface.
- Not for commercial use, For residential use only.

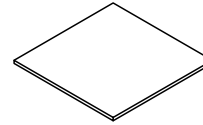


Weight Limitation

**400LBS**

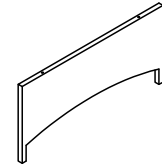
# PARTS LIST

A\*2



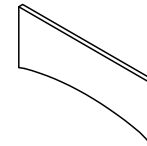
Top

B\*4



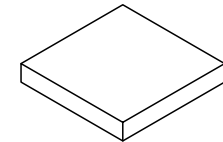
Leg

C\*4



Side panels

D\*2



Cushion

E\*24



35mm screw

F\*24



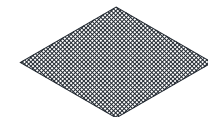
gasket

G\*1



Allen Key

H\*2



Plastic Sheet

# HARDWARE and TOOL LIST

E\*24

M6\*35mm



35mm screw

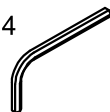
F\*24



gasket

G\*1

M4



Allen Key

## SPARE

①\*1

M6\*35mm



35mm screw

②\*1

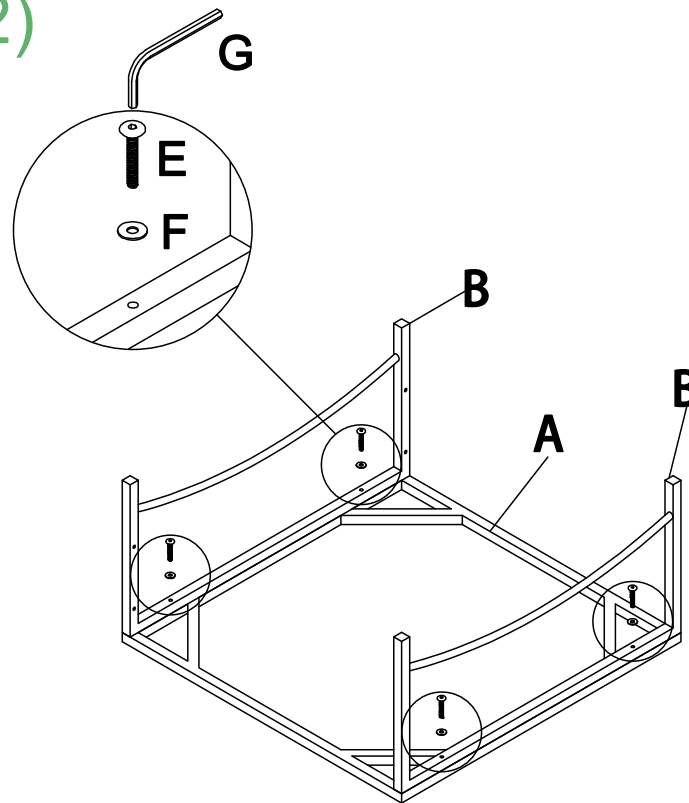


gasket

Be sure to check all packing material fitting the packing list. Be careful for small parts, which may have come loose inside the carton during shipment.

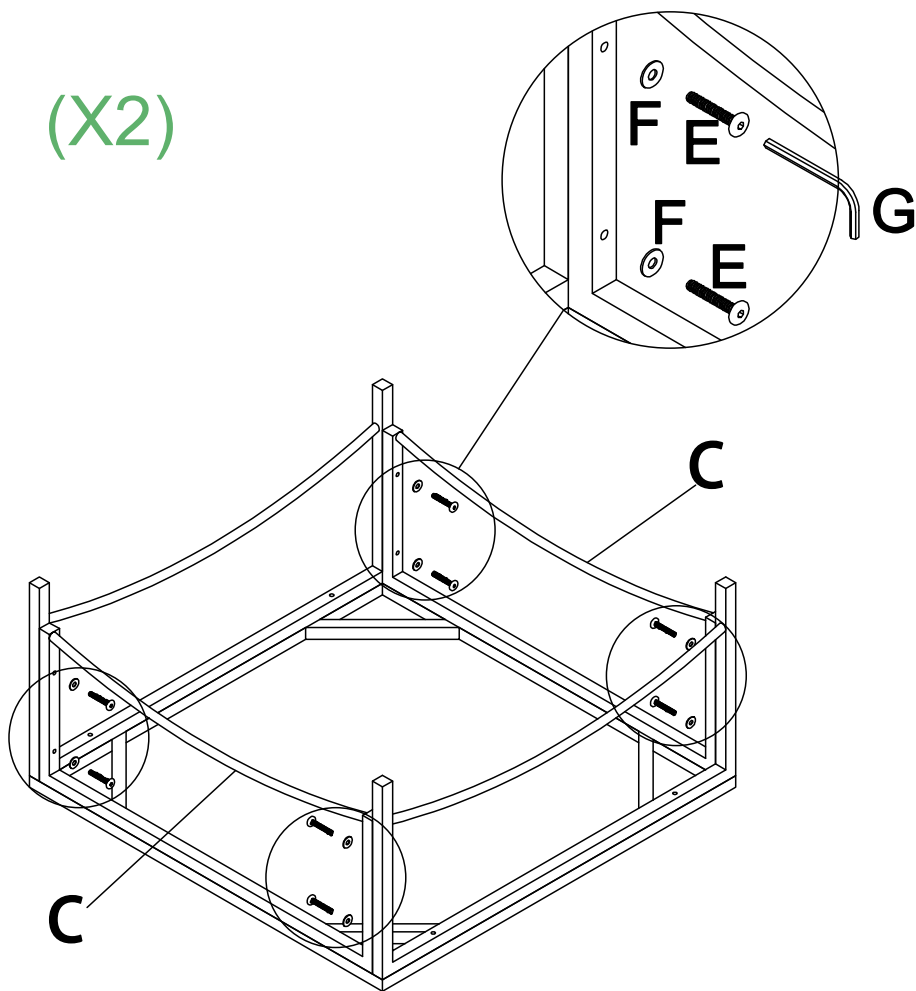
# ASSEMBLY INSTRUCTIONS

(X2)



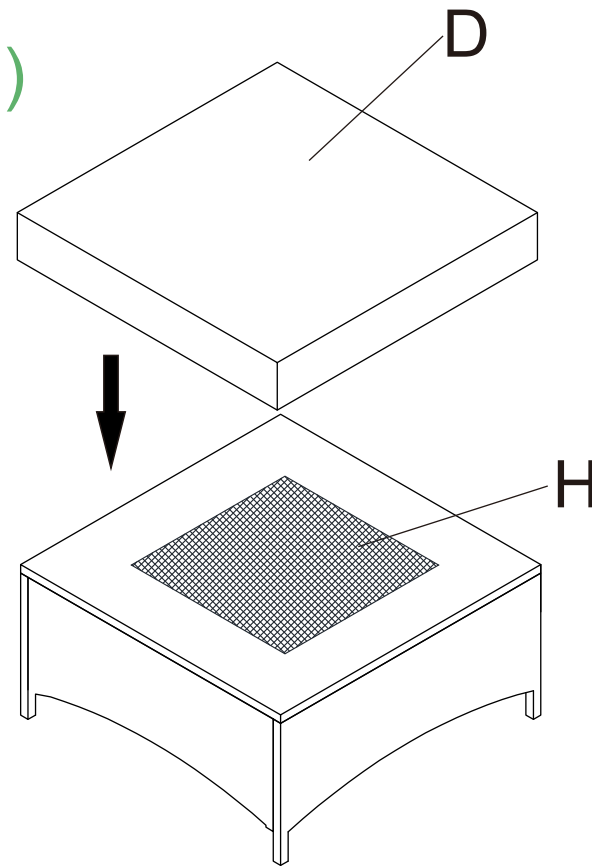
STEP 1:

(X2)



**STEP 2:**

(X2)



Each cushion has a plastic sheet inside the bag, which is used to prevent the cushion from sliding on the ottoman. Put this cloth on the ottoman and put a cushion on it to prevent the cushion from sliding on the ottoman.

**STEP 3:** Put the seat cushion(F), this assembly is completed.