



BARN LIGHT ELECTRIC COMPANY

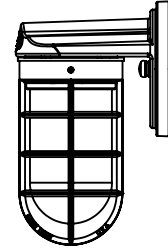
INSTALLATION INSTRUCTIONS INDUSTRIAL STATIC SCONCE

Thank you for purchasing from Barn Light Electric, America's leading manufacturer of hand-crafted shades and exclusive source for porcelain enamel lighting! For questions or concerns about your purchase, please contact us!

INS-0042 REV A (HWK-0047)

ALTERNATE FIXTURES

This alternative style follows the same installation instructions as the illustration shown below.



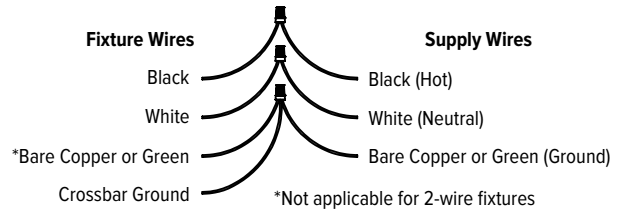
Industrial Static Sconce
with No Shade

IMPORTANT

Read all instructions before assembly. Installation is to be done by a qualified professional. **For wet locations, junction between the mounting surface and luminaire must be sealed with caulking.**

CAUTION: Risk of fire, this product must be installed in accordance with the applicable installation code by a person familiar with the construction and operation of the product and the hazards involved.

WIRING DIAGRAM

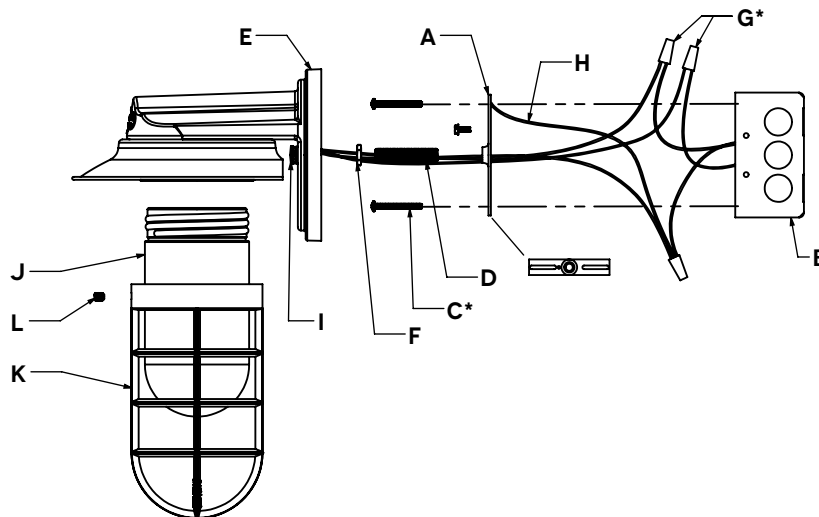


INSTRUCTIONS

1. Disconnect power at the electrical panel before installation.
2. Mount crossbar (A) to junction box (B) with two mounting screws (C). **NOTE: Mounting screws (C) not included.**
3. With crossbar (A) secured, thread the nipple (D) into the crossbar (A).
4. Temporarily mount fixture (E) to installed nipple (D) (adjust nipple length so that it protrudes out of the fixture hole approximately 1/4").
5. Remove fixture (E) and thread nut (F) onto nipple (D) and tighten against crossbar (A) to lock nipple (D) in place.
6. Use wire nuts (G) to connect power supply to the black wire and neutral wire to the white wire. **NOTE: Wire nuts (G) not included.**
7. Attach ground wire (H) to the junction box (B), green wire or bare wire.
8. Guide fixture (E) over the nipple (D) and thread lock-up cap (I) onto the nipple (D). Tighten until fixture (E) is secure against the wall.
9. If installing wall sconce in a wet location, caulk base of fixture (E).
10. Replace glass (J) and guard (K) and secure in place with set screw (L) (if applicable).

INDUSTRIAL STATIC SCONCE

- A. Crossbar
- B. Junction Box
- C. Mounting Screws*
- D. Nipple
- E. Fixture
- F. Nut
- G. Wire Nuts*
- H. Ground Wire
- I. Lock-Up Cap
- J. Glass
- K. Guard
- L. Set Screw



***IMPORTANT:** Mounting screws and wire nuts not included in hardware kit. Standard screw sizes include: 6-32, 8-32, 10-24 and 10-32.