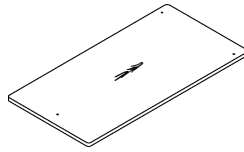
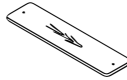
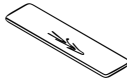



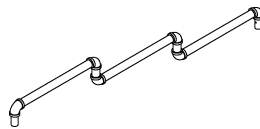






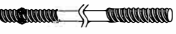






ASSEMBLY INSTRUCTION

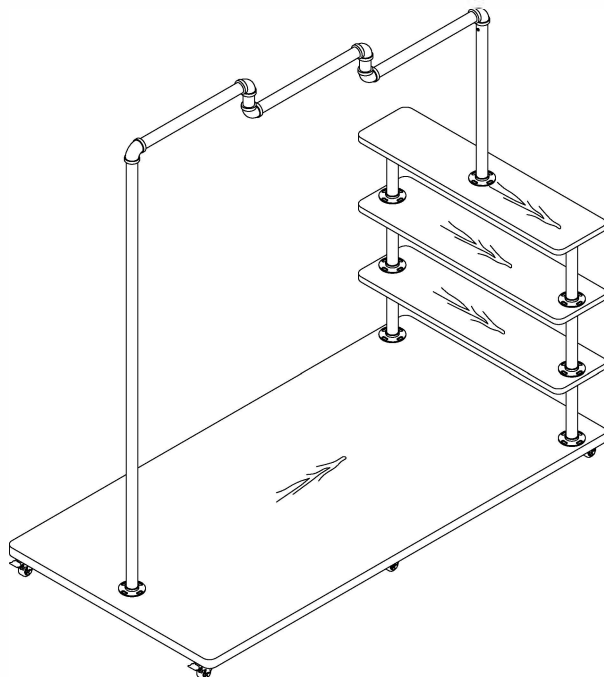
Thank you for purchasing this quality product. Be sure to check all packing materials carefully for small parts which may have come loose inside the carton during shipment. Separate, identify, and count all parts and metal hardware. Compare with parts list to be sure all parts are present. If any part(s) are missing or damaged, please contact your local furniture dealer. For efficient and speedy service, please indicate the model number and code letter of the part(s) needed.

***** Do not fully tighten screws until fully assembled *****

COMPONENT PARTS		
DECERPTION	PART NAME	Q'TY(PCS)
①	Bottom board 	1pc
②	Middle board 	2pcs
③	Upper board 	1pc
④	Middle tube 	6pcs
⑤	Left tube 	1pc
⑥	Right tube 	1pc
⑦	Top tube 	1pc
⑧	Wheel with lock 	4pcs
⑨	Wheel 	2pcs

HARDWARE REQUIRED:

(A) 	Bolt 1/4"x1/2" - 2pcs
(B) 	Bolt 5/16"x1-3/8" - 2pcs
(C) 	Screw rod 5/16"x28-3/4" - 2pcs
(D) 	Nut M8 - 2pcs
(E) 	Washer Ø18xØ9x1.0 - 4pcs
(F) 	Allen Wrench M4 - 1pc
(G) 	Allen Wrench M5 - 1pc
(H) 	Open End Wrench - 1pc
(I) 	Socket Wrench M8 - 1pc



Attention:

***Mattresses not included.

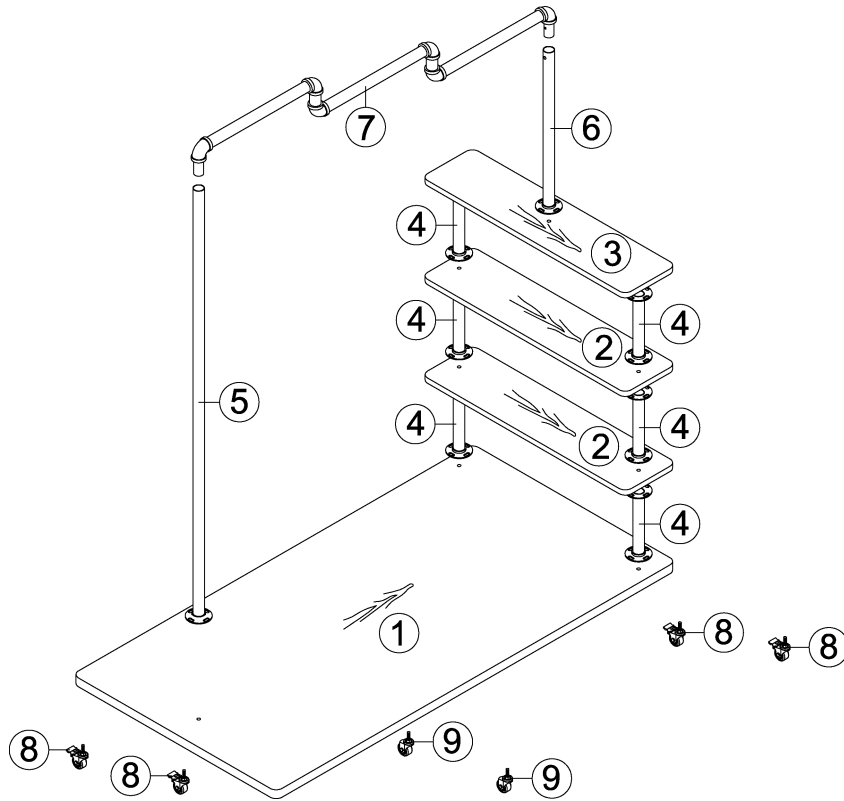
***Some number parts listed on the instruction sheet may not be in parts bag as they may already be assemble.

Carefully check parts and packing materials prior to ordering replacements.

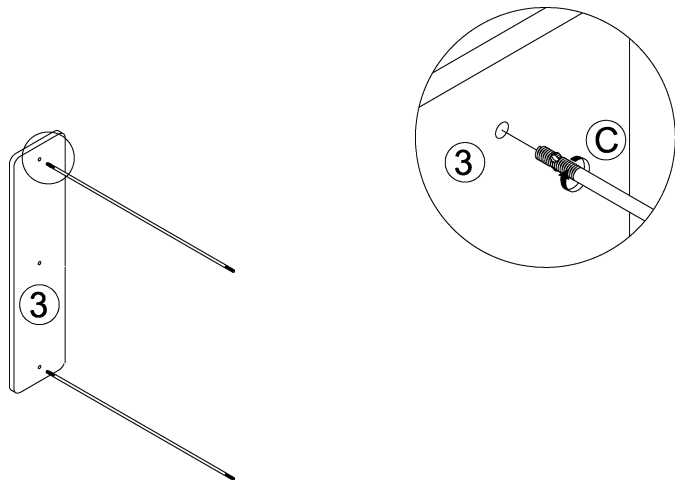
How to Assemble:

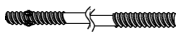
STEP 1.

Exploded View



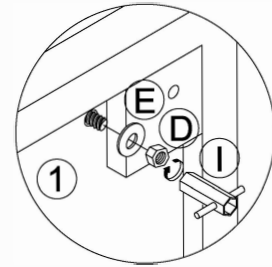
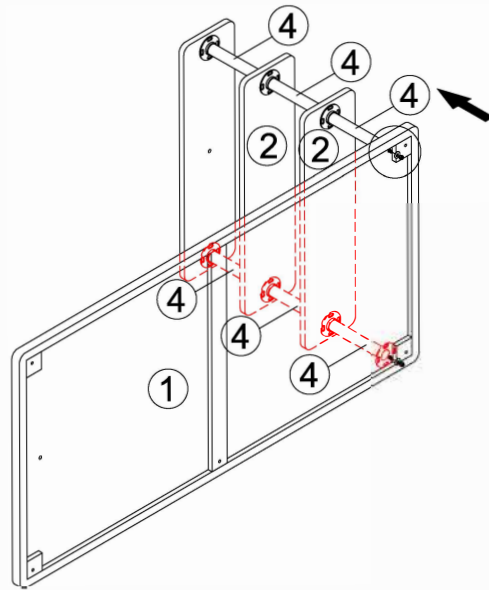
STEP 2.




C  2pcs

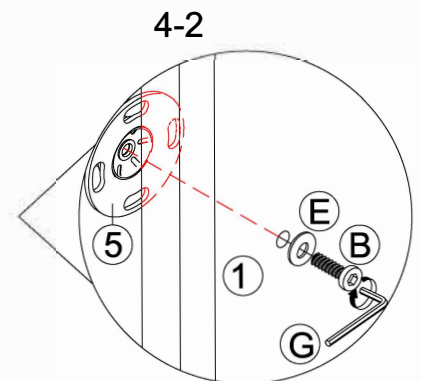
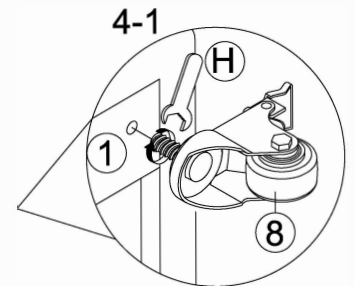
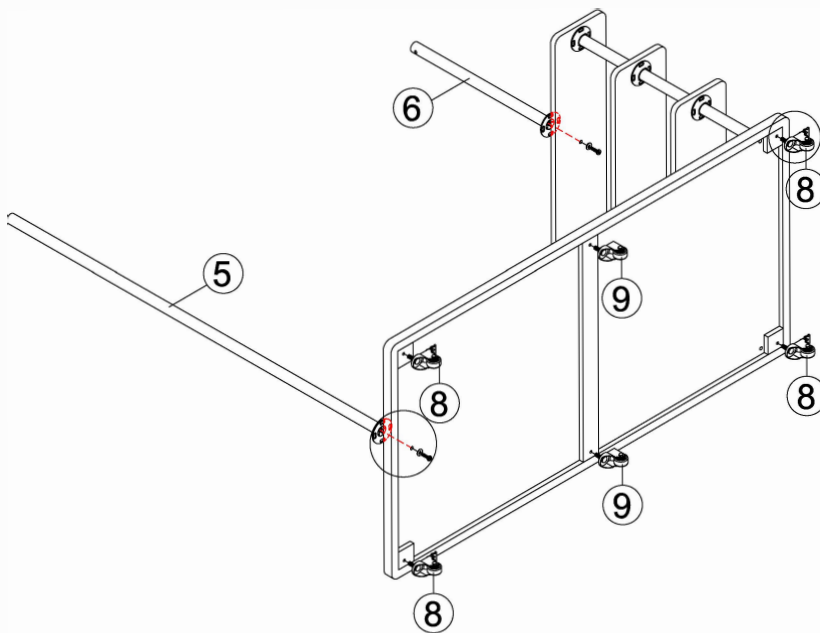
How to Assemble:



STEP 3.



D		2pcs
E		2pcs

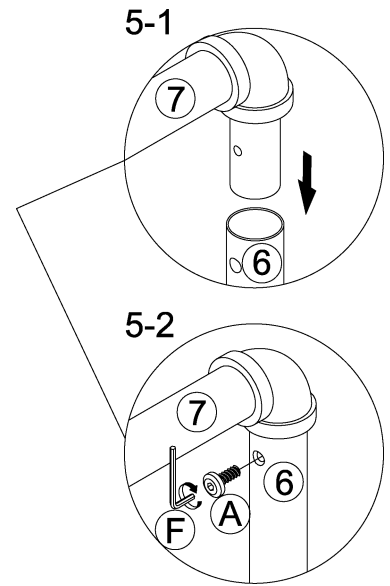
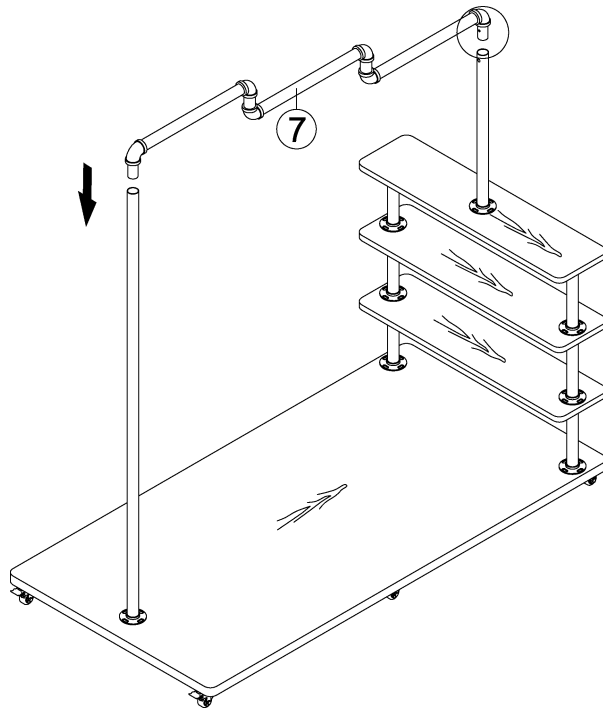
STEP 4.



B		2pcs
E		2pcs

How to Assemble:

STEP 5.



(A)  **2pcs**

STEP 6.

