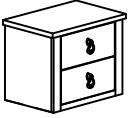
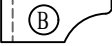
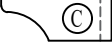

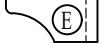




ASSEMBLY INSTRUCTIONS

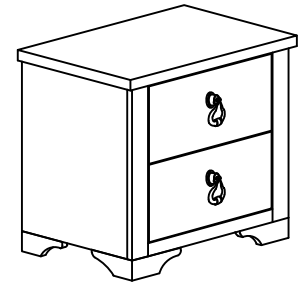
ITEM NO :
NIGHTSTAND

BOX OF NIGHTSTAND

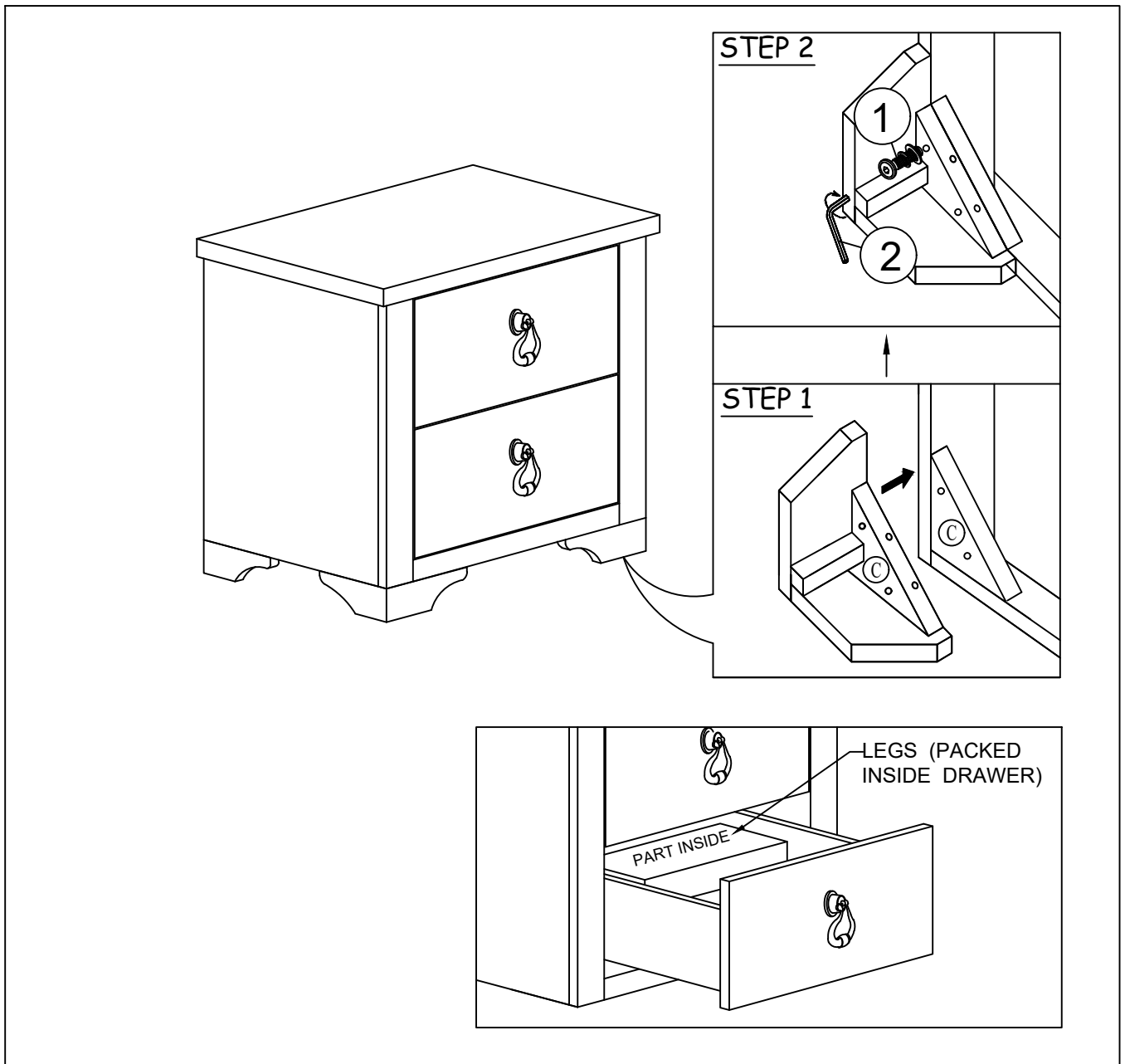
ITEM	DRAWING	DESCRIPTION	QTY
A		NIGHTSTAND	1
B		LEFT FRONT LEG (Packed inside drawer)	1
C		RIGHT FRONT LEG (Packed inside drawer)	1
D		LEFT BACK LEG (Packed inside drawer)	1
E		RIGHT BACK LEG (Packed inside drawer)	1

BOX OF NIGHTSTAND HARDWARE LIST

ITEM	DRAWING	DESCRIPTION	QTY
1		JCBC BOLT WITH SPRING WASHER AND FLAT WASHER (M6 x 40mm)	8
2		ALLEN KEY (M4)	1



COMPLETED NIGHTSTAND ASSEMBLY



THE HARDWARE IS LOCATED IN THE PACKING ITEMS

NOTE : MUST TIGHTEN SCREWS PERIODICALLY. WITH USE SCREWS MAY BECOME LOOSE.
CHECK TIGHTNESS OF ALL SCREWS EVERY 6-8 WEEKS.

CLEANING INSTRUCTION


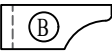

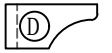

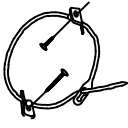
After assembled, clean & polish the completed parts if necessary with soft cloth and industrial recognized furniture polish

MADE IN MALAYSIA



ASSEMBLY INSTRUCTIONS

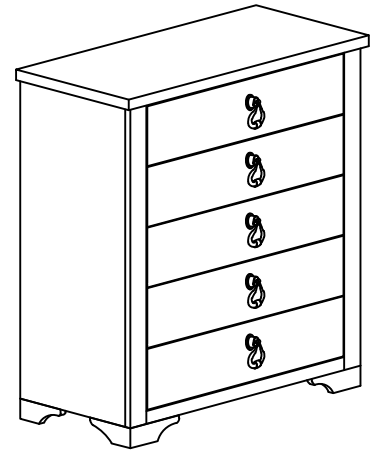
ITEM NO :
CHEST

BOX OF CHEST

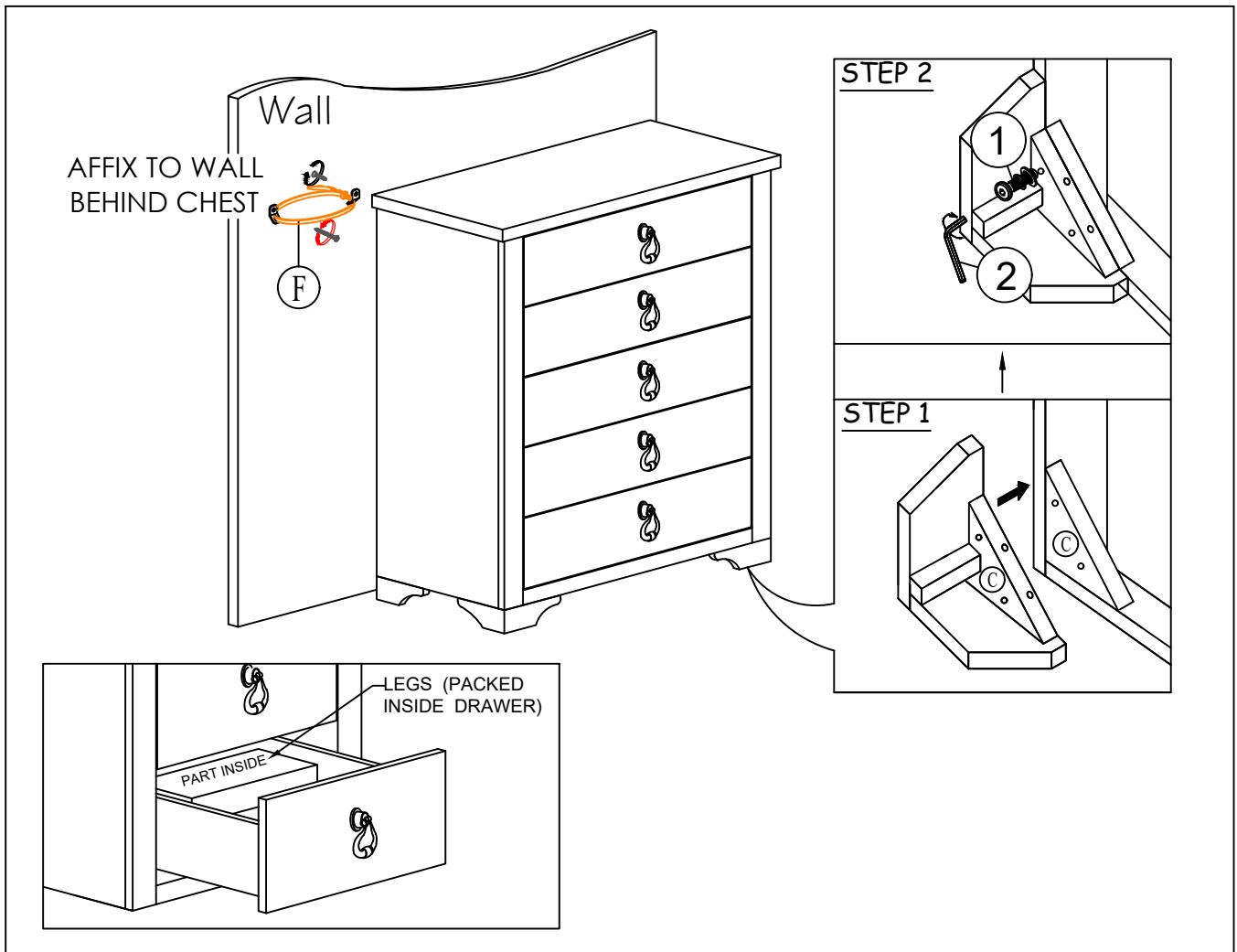
ITEM	DRAWING	DESCRIPTION	QTY
A		CHEST	1
B		LEFT FRONT LEG (Packed inside drawer)	1
C		RIGHT FRONT LEG (Packed inside drawer)	1
D		LEFT BACK LEG (Packed inside drawer)	1
E		RIGHT BACK LEG (Packed inside drawer)	1
F		TIPPING RESTRAINT (Affix to wall behind chest) * Located in the Chest 1st Drawer	1

HARDWARE LIST

ITEM	DRAWING	DESCRIPTION	QTY
1		JCBC BOLT WITH SPRING WASHER AND FLAT WASHER (M6 x 40mm)	8
2		ALLEN KEY (M4)	1



COMPLETED CHEST ASSEMBLY



**THE HARDWARE IS LOCATED IN THE PACKING ITEMS
THE ANTI TIPPING HARDWARE IS LOCATED IN THE CHEST 1ST DRAWER**

NOTE : MUST TIGHTEN SCREWS PERIODICALLY. WITH USE SCREWS MAY BECOME LOOSE.
CHECK TIGHTNESS OF ALL SCREWS EVERY 6-8 WEEKS.

CLEANING INSTRUCTION

After assembled, clean & polish the completed parts if necessary with soft cloth and industrial recognized furniture polish

MADE IN MALAYSIA

ASSEMBLY INSTRUCTIONS

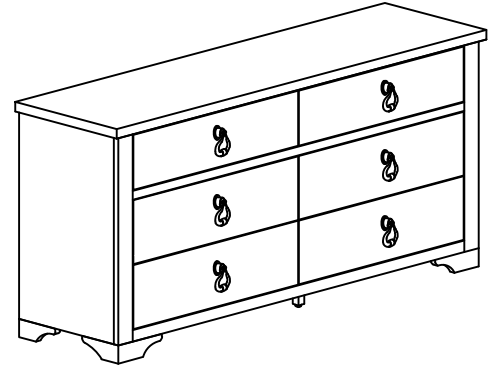
ITEM NO :
DRESSER

BOX OF DRESSER

ITEM	DRAWING	DESCRIPTION	QTY
A		DRESSER	1
B		LEFT FRONT LEG (Packed inside drawer)	1
C		RIGHT FRONT LEG (Packed inside drawer)	1
D		LEFT BACK LEG (Packed inside drawer)	1
E		RIGHT BACK LEG (Packed inside drawer)	1
F		SUPPORT LEG	1
G		TIPPING RESTRAINT (Affix to wall behind dresser) *Located in the Right Side Front Drawer	1

HARDWARE LIST

ITEM	DRAWING	DESCRIPTION	QTY
1		JCBC BOLT WITH SPRING WASHER AND FLAT WASHER (M6 x 40mm)	8
2		ALLEN KEY (M4)	1



COMPLETED DRESSER ASSEMBLY

Wall

AFFIX TO WALL
BEHIND DRESSER

G

STEP 2

STEP 1

LEGS (PACKED
INSIDE DRAWER)

PART INSIDE

F

Level Me on
Uneven Floor

THE HARDWARE IS LOCATED IN THE PACKING ITEMS
THE ANTI TIPPING HARDWARE IS LOCATED IN THE RIGHT SIDE FRONT DRAWER OF DRESSER

NOTE : MUST TIGHTEN SCREWS PERIODICALLY. WITH USE SCREWS MAY BECOME LOOSE.
CHECK TIGHTNESS OF ALL SCREWS EVERY 6-8 WEEKS.

CLEANING INSTRUCTION

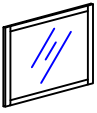

After assembled, clean & polish the completed parts if necessary with soft cloth and industrial recognized furniture polish

MADE IN MALAYSIA

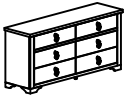
ASSEMBLY INSTRUCTIONS

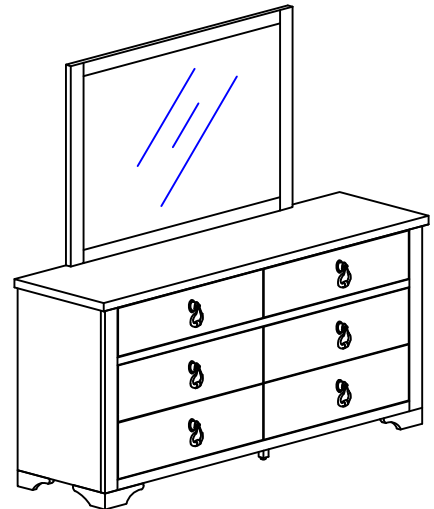
ITEM NO :
MIRROR

BOX OF MIRROR

ITEM	DRAWING	DESCRIPTION	QTY
A		MIRROR	1
B		MIRROR SUPPORT RAIL	2



BOX OF DRESSER

ITEM	DRAWING	DESCRIPTION	QTY
A		DRESSER	1

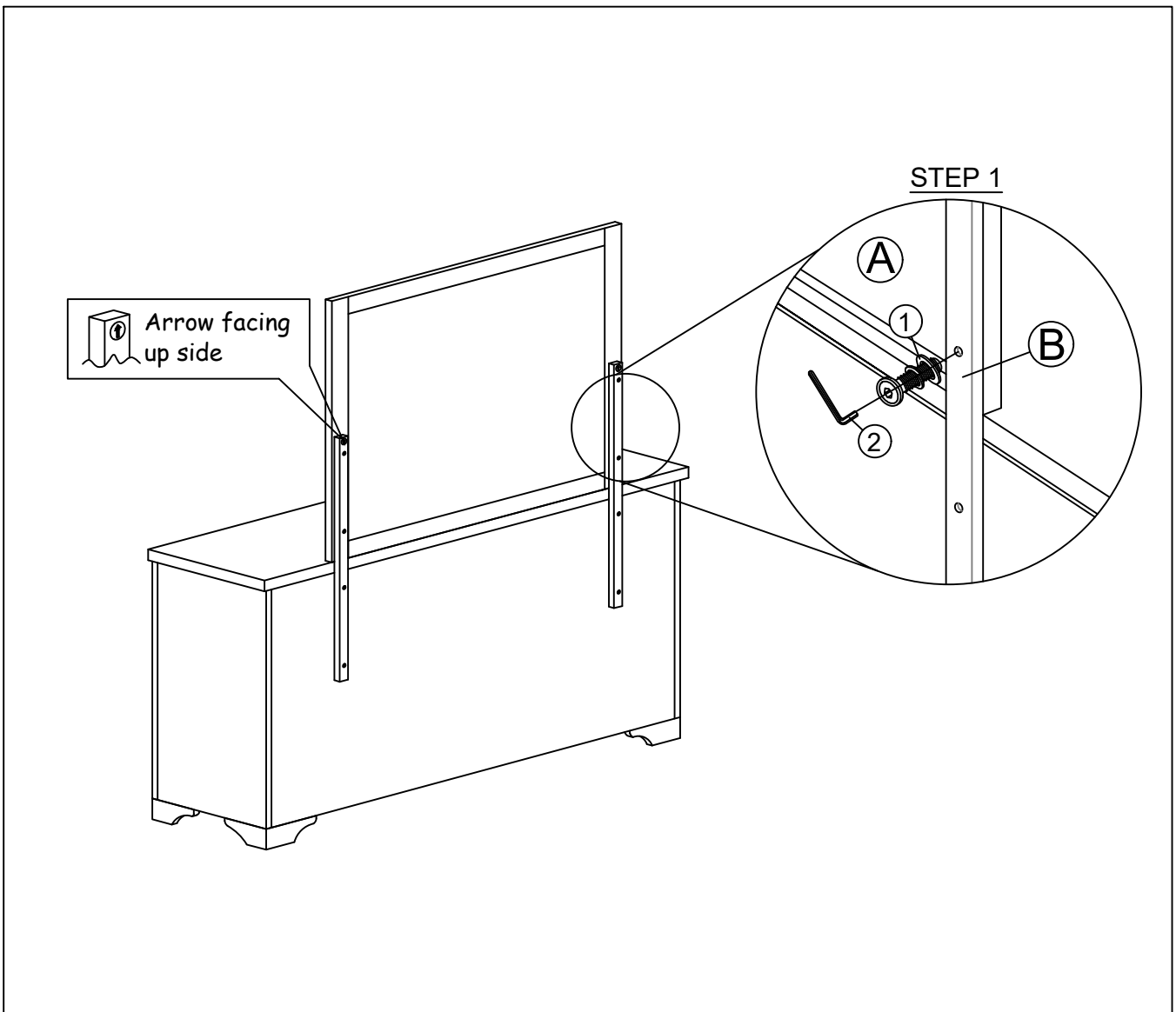


BOX OF MIRROR

HARDWARE LIST

ITEM	DRAWING	DESCRIPTION	QTY
1		JCBC BOLT WITH SPRING WASHER AND FLAT WASHER (M6 x 35mm)	8
2		ALLEN KEY (M4)	8

COMPLETED MIRROR ASSEMBLY



THE HARDWARE IS LOCATED IN THE PACKING ITEMS

NOTE : MUST TIGHTEN SCREWS PERIODICALLY. WITH USE SCREWS MAY BECOME LOOSE.
CHECK TIGHTNESS OF ALL SCREWS EVERY 6-8 WEEKS.

CLEANING INSTRUCTION







After assembled, clean & polish the completed parts if necessary with soft cloth and industrial recognized furniture polish

MADE IN MALAYSIA



ASSEMBLY INSTRUCTIONS

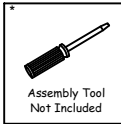
ITEM NO : QUEEN BED

BOX 1
HEADBOARD PANEL , FOOTBOARD PANEL AND HEADBOARD LEGS






ITEM	DRAWING	DESCRIPTION	QTY
A		HEADBOARD PANEL	1
B		RIGHT HEADBOARD LEG	1
C		LEFT HEADBOARD LEG	1
D		FOOTBOARD PANEL	1
E		SLAT	4
F		SLAT PANEL	4

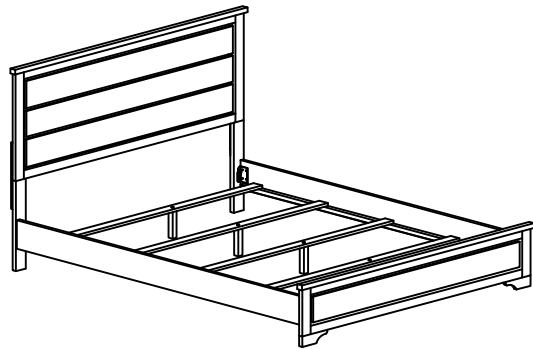
BOX 2
SIDE RAILS

ITEM	DRAWING	DESCRIPTION	QTY
G		RIGHT SIDE RAIL	1
H		LEFT SIDE RAIL	1



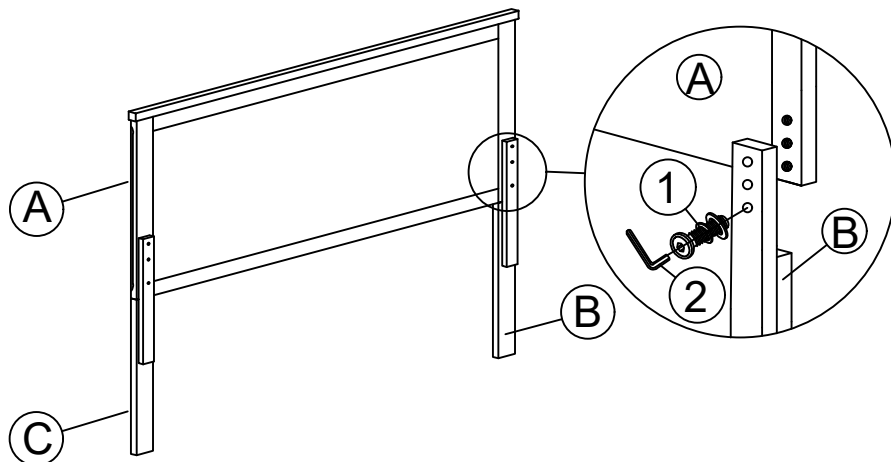
BOX 1
HARDWARE LIST

ITEM	DRAWING	DESCRIPTION	QTY
1		JCBC BOLT WITH SPRING WASHER AND FLAT WASHER (M6 x 40mm)	6
2		ALLEN KEY (M4)	1
3		SCREW P/H RATTAN (8 X 1 1/4)	8
4		JCBB BOLT WITH SPRING WASHER AND FLAT WASHER (M8 x 25mm)	8
5		ALLEN KEY (M5)	1



COMPLETED QUEEN BED ASSEMBLY

STEP 1:

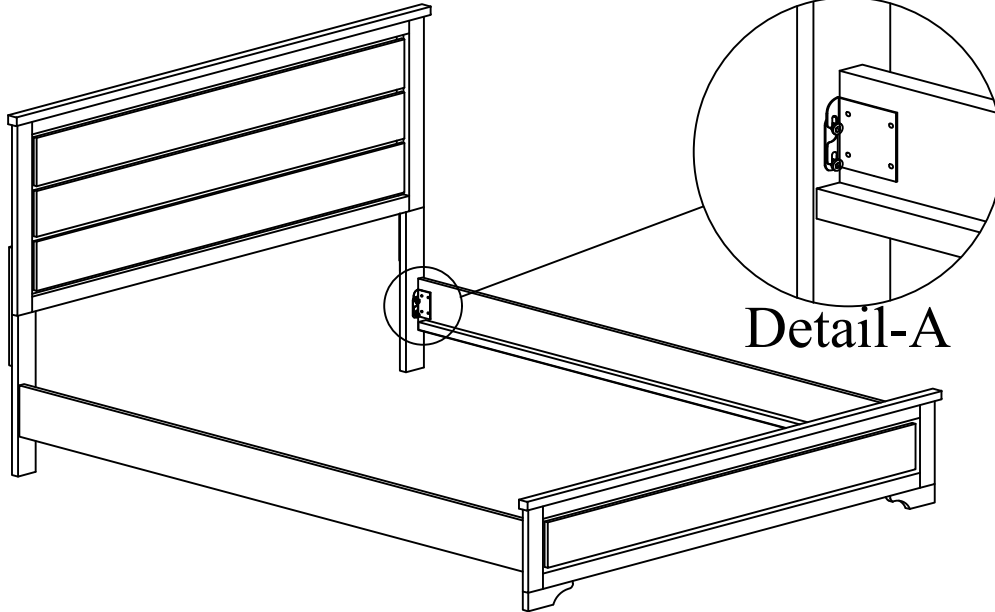
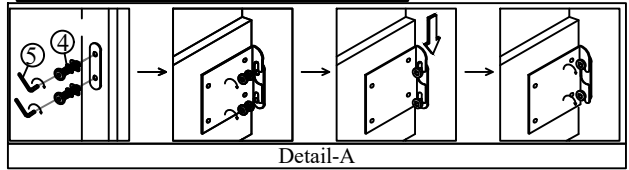


ASSEMBLY INSTRUCTIONS

ITEM NO : QUEEN BED

STEP 2:

COMPLETED ASSEMBLY

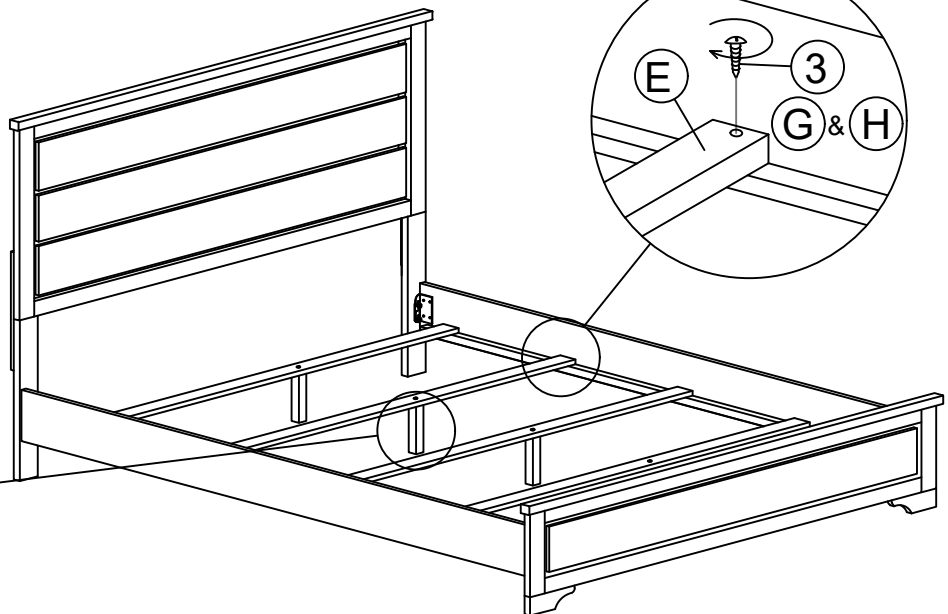
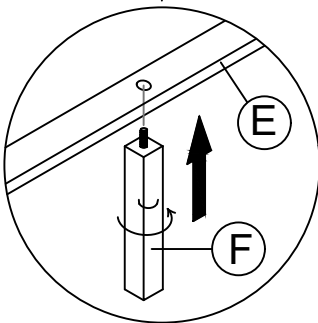


STEP 3:

STEP 3.2:



STEP 3.1: ↑



THE HARDWARE IS LOCATED IN THE PACKING ITEMS

NOTE : MUST TIGHTEN SCREWS PERIODICALLY. WITH USE SCREWS MAY BECOME LOOSE.
CHECK TIGHTNESS OF ALL SCREWS EVERY 6-8 WEEKS.

CLEANING INSTRUCTION







After assembled, clean & polish the completed parts if necessary with soft cloth and industrial recognized furniture polish

MADE IN MALAYSIA

ASSEMBLY INSTRUCTIONS

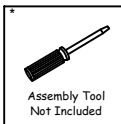
ITEM NO : KING BED

BOX 1
HEADBOARD PANEL , FOOTBOARD PANEL AND HEADBOARD LEGS






ITEM	DRAWING	DESCRIPTION	QTY
A		HEADBOARD PANEL	1
B		RIGHT HEADBOARD LEG	1
C		LEFT HEADBOARD LEG	1
D		FOOTBOARD PANEL	1
E		SLAT	4
F		SLAT PANEL	8

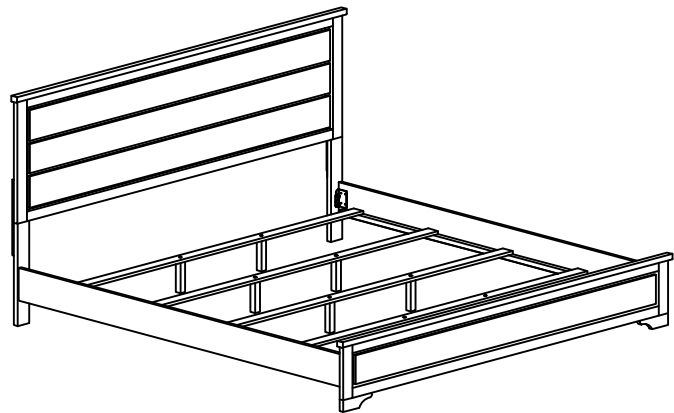
BOX 2
SIDE RAILS

ITEM	DRAWING	DESCRIPTION	QTY
G		RIGHT SIDE RAIL	1
H		LEFT SIDE RAIL	1



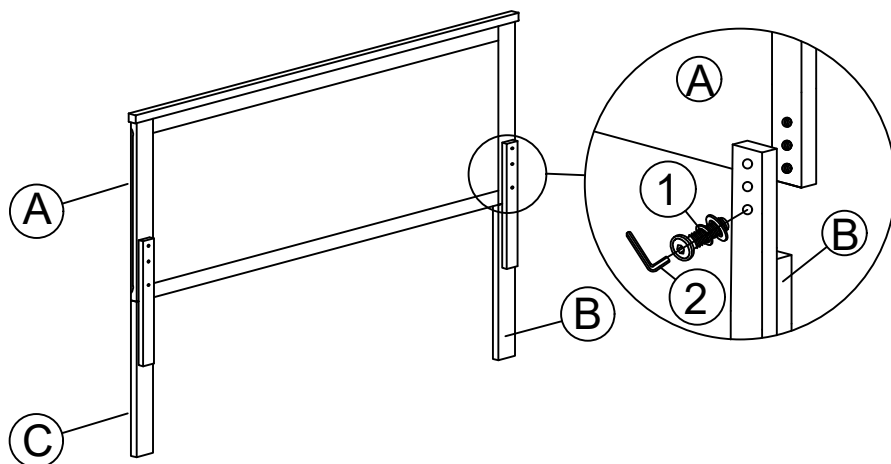
BOX 1
HARDWARE LIST

ITEM	DRAWING	DESCRIPTION	QTY
1		JCBC BOLT WITH SPRING WASHER AND FLAT WASHER (M6 x 40mm)	6
2		ALLEN KEY (M4)	1
3		SCREW P/H RATTAN (8 X 1 1/4)	8
4		JCBB BOLT WITH SPRING WASHER AND FLAT WASHER (M8 x 25mm)	8
5		ALLEN KEY (M5)	1



COMPLETED KING BED ASSEMBLY

STEP 1:

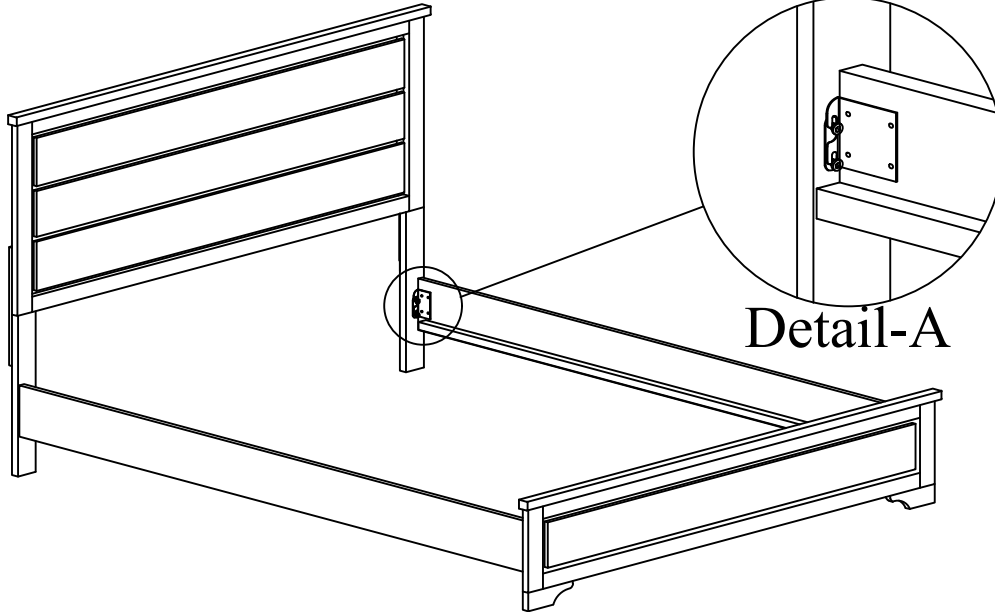
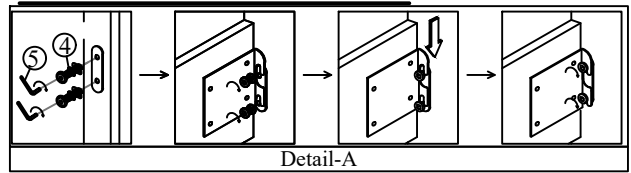


ASSEMBLY INSTRUCTIONS

ITEM NO : KING BED

STEP 2:

COMPLETED ASSEMBLY

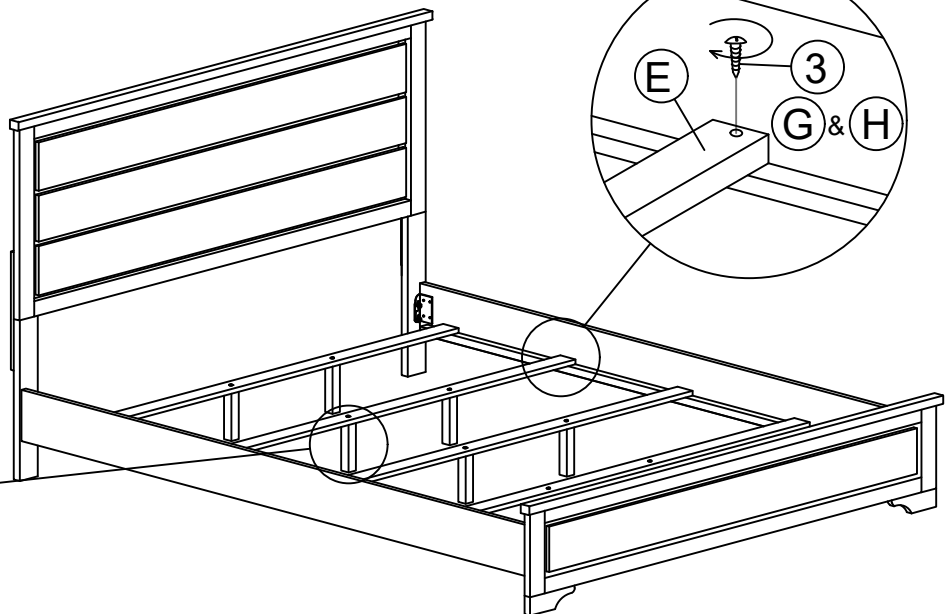
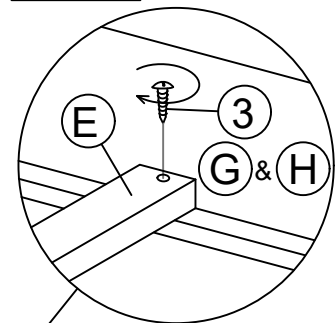
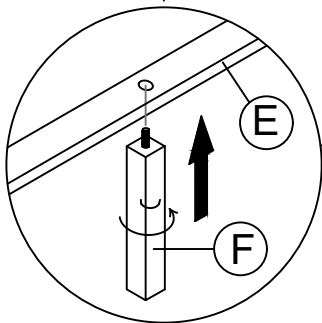


STEP 3:

STEP 3.2:



STEP 3.1: ↑



THE HARDWARE IS LOCATED IN THE PACKING ITEMS

NOTE : MUST TIGHTEN SCREWS PERIODICALLY. WITH USE SCREWS MAY BECOME LOOSE.
CHECK TIGHTNESS OF ALL SCREWS EVERY 6-8 WEEKS.

CLEANING INSTRUCTION

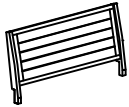


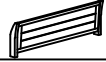


After assembled, clean & polish the completed parts if necessary with soft cloth and industrial recognized furniture polish

MADE IN MALAYSIA


ASSEMBLY INSTRUCTIONS

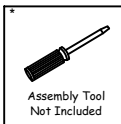
ITEM NO : QUEEN SLEIGH BED

BOX 1 HEADBOARD, HEADBOARD LEGS


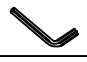



ITEM	DRAWING	DESCRIPTION	QTY
A		HEADBOARD SLEIGH	1
B		RIGHT HEADBOARD LEG	1
C		LEFT HEADBOARD LEG	1
D		FOOTBOARD SLEIGH	1
E		SLAT	4
F		SLAT PANEL	8

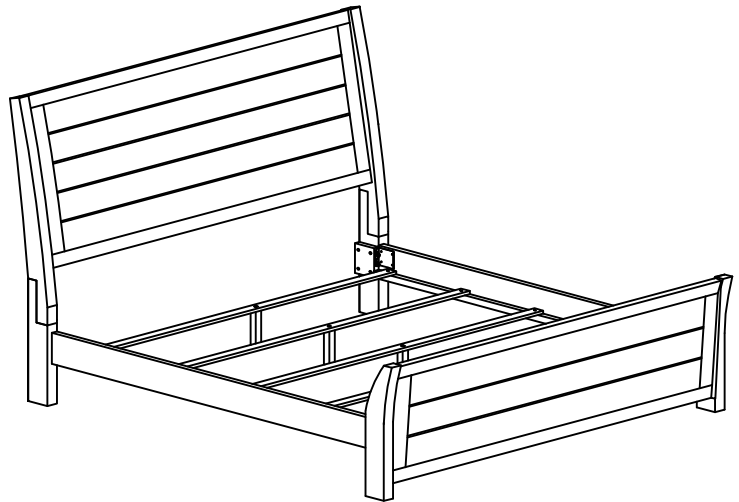
BOX 2 SIDE RAILS

ITEM	DRAWING	DESCRIPTION	QTY
G		RIGHT SIDE RAIL	1
H		LEFT SIDE RAIL	1



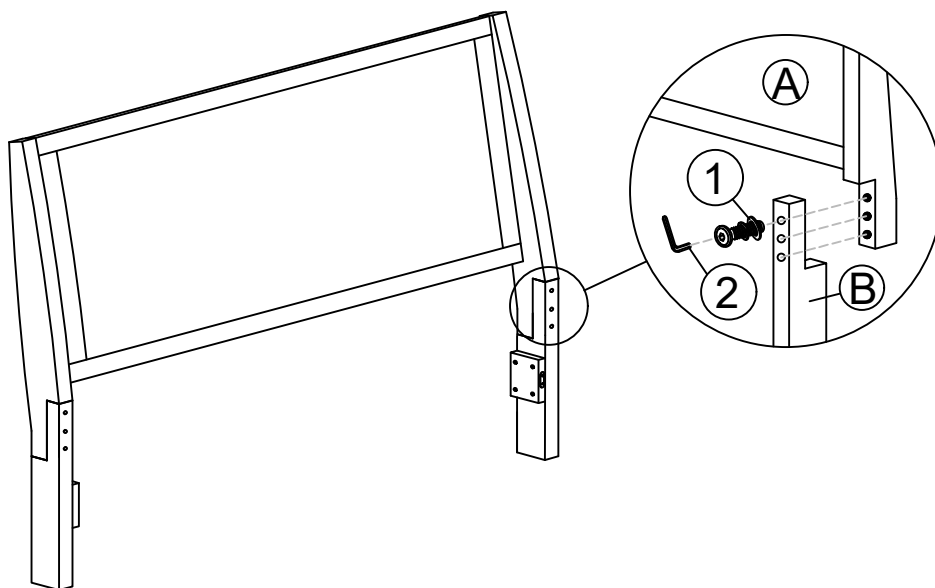
BOX 1 HARDWARE LIST

ITEM	DRAWING	DESCRIPTION	QTY
1		JCBC BOLT WITH SPRING WASHER AND FLAT WASHER (M6 x 40mm)	6
2		ALLEN KEY (M4)	1
3		SCREW P/H RATTAN (8 X 1 1/4)	8
4		JCBB BOLT WITH SPRING WASHER AND FLAT WASHER (M8 x 25mm)	8
5		ALLEN KEY (M5)	1



COMPLETED QUEEN SLEIGH BED ASSEMBLY

STEP 1:

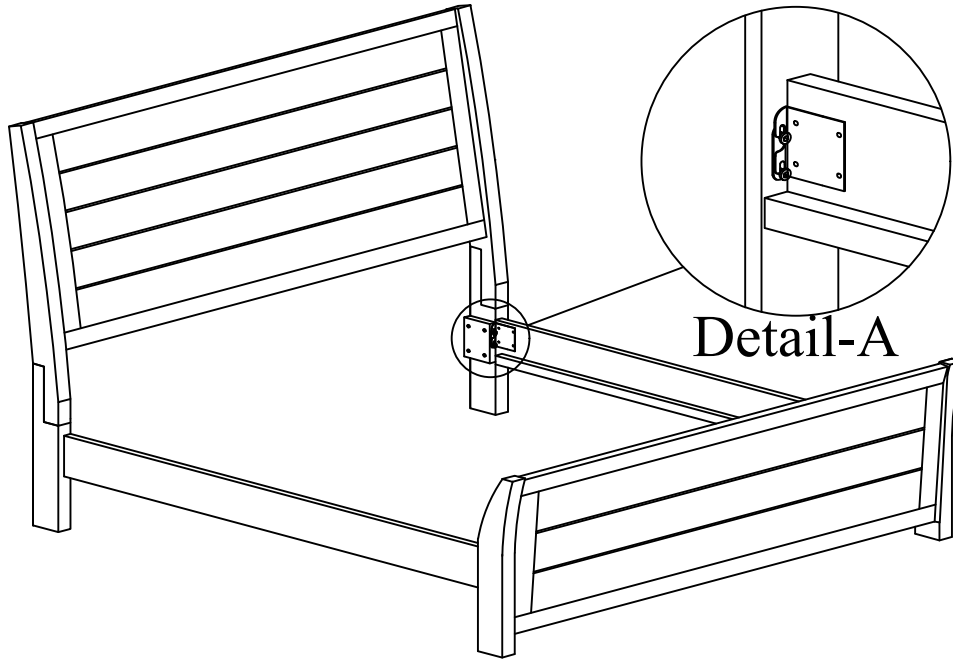
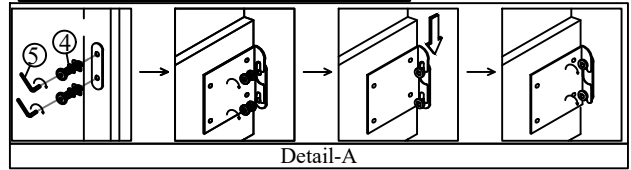


ASSEMBLY INSTRUCTIONS

ITEM NO : QUEEN SLEIGH BED

STEP 2:

COMPLETED ASSEMBLY

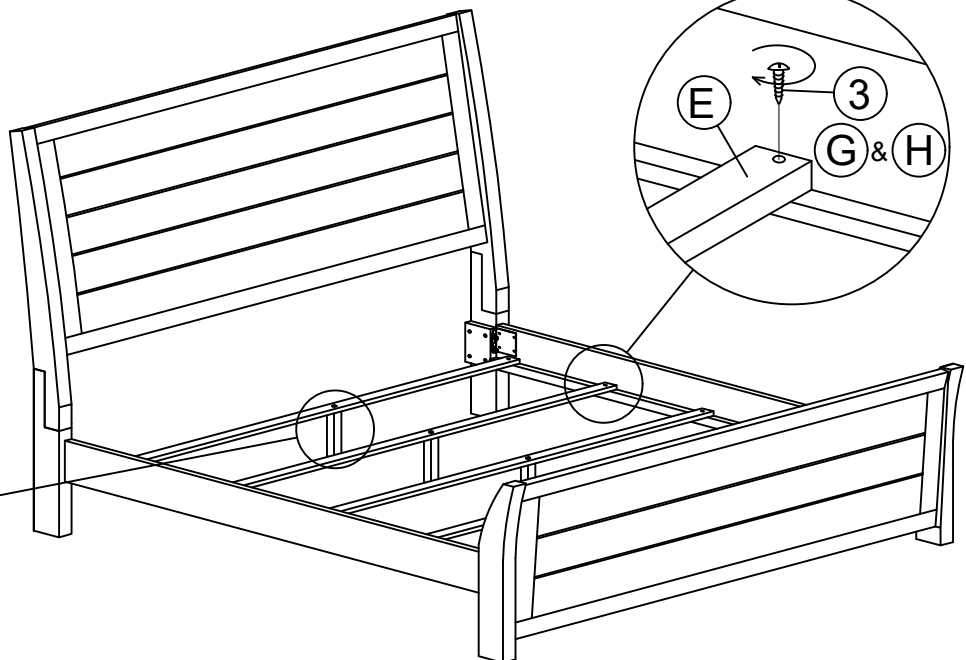
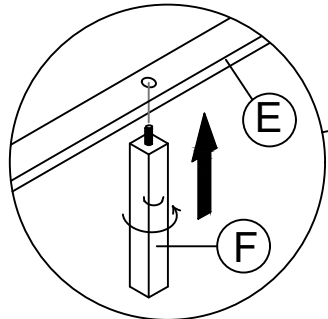


STEP 3:

STEP 3.2:



STEP 3.1: ↑



THE HARDWARE IS LOCATED IN THE PACKING ITEMS

NOTE : MUST TIGHTEN SCREWS PERIODICALLY. WITH USE SCREWS MAY BECOME LOOSE.
CHECK TIGHTNESS OF ALL SCREWS EVERY 6-8 WEEKS.

CLEANING INSTRUCTION

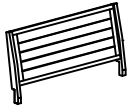


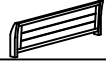


After assembled, clean & polish the completed parts if necessary with soft cloth and industrial recognized furniture polish

MADE IN MALAYSIA






ASSEMBLY INSTRUCTIONS

ITEM NO :
KING SLEIGH BED

**BOX 1
HEADBOARD, HEADBOARD LEGS**

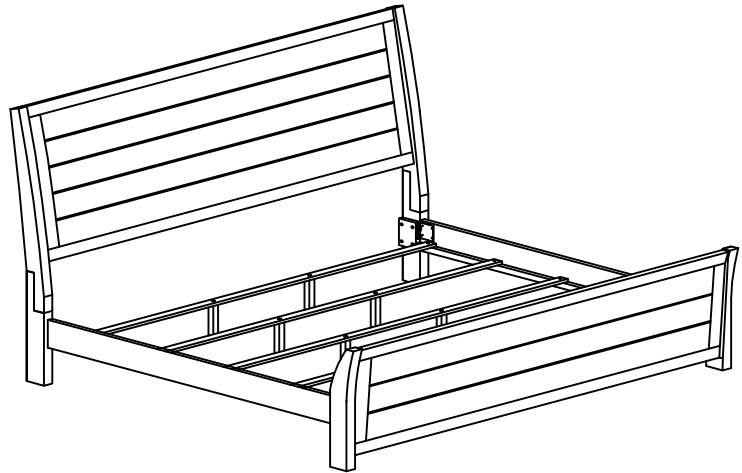
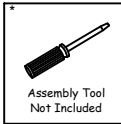
ITEM	DRAWING	DESCRIPTION	QTY
A		HEADBOARD SLEIGH	1
B		RIGHT HEADBOARD LEG	1
C		LEFT HEADBOARD LEG	1
D		FOOTBOARD SLEIGH	1
E		SLAT	4
F		SLAT PANEL	8

**BOX 1
HARDWARE LIST**

ITEM	DRAWING	DESCRIPTION	QTY
1		JCBC BOLT WITH SPRING WASHER AND FLAT WASHER (M6 x 40mm)	6
2		ALLEN KEY (M4)	1
3		SCREW P/H RATTAN (8 X 1 1/4)	8
4		JCBB BOLT WITH SPRING WASHER AND FLAT WASHER (M8 x 25mm)	8
5		ALLEN KEY (M5)	1

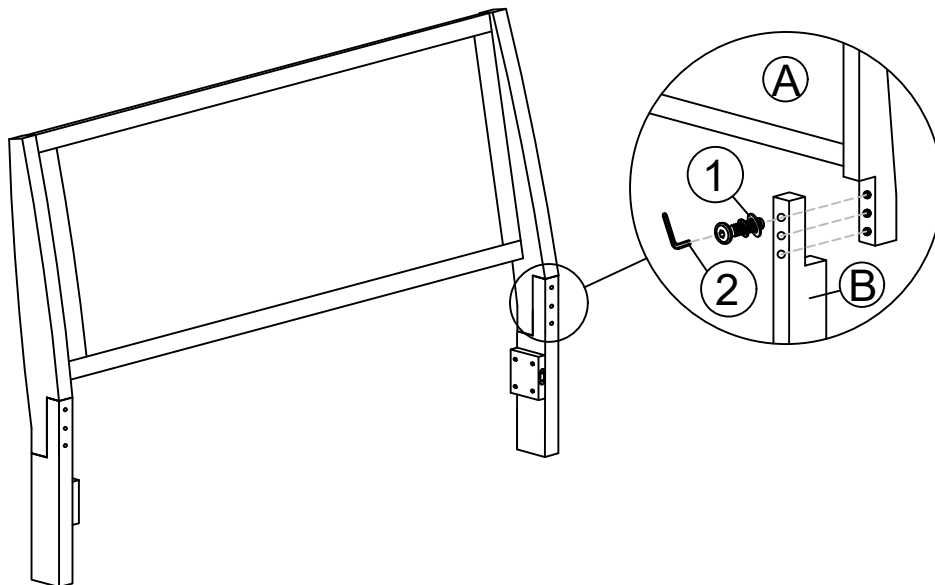
**BOX 2
SIDE RAILS**

ITEM	DRAWING	DESCRIPTION	QTY
G		RIGHT SIDE RAIL	1
H		LEFT SIDE RAIL	1



COMPLETED KING SLEIGH BED ASSEMBLY

STEP 1:

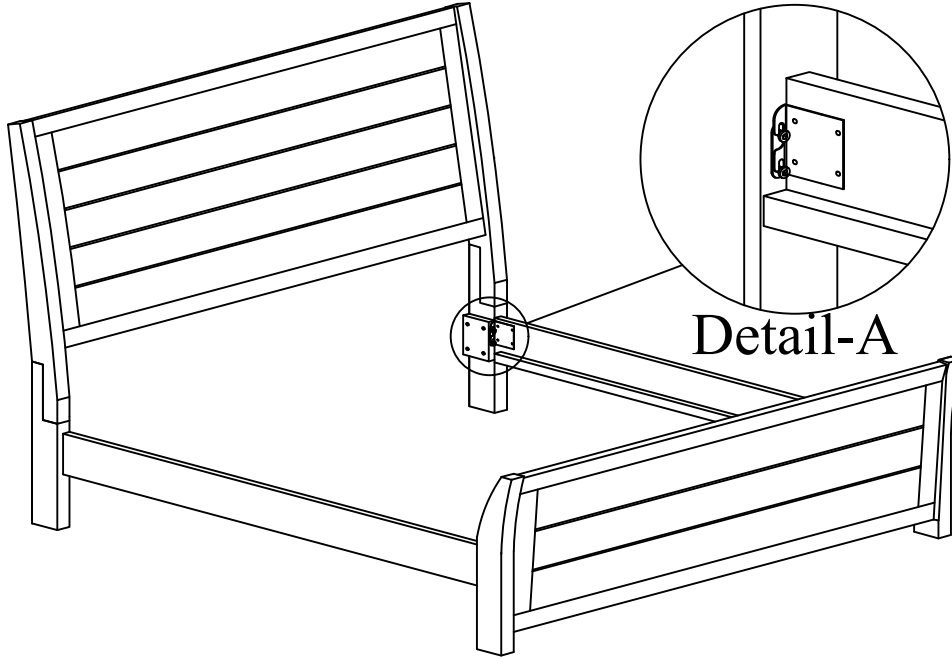
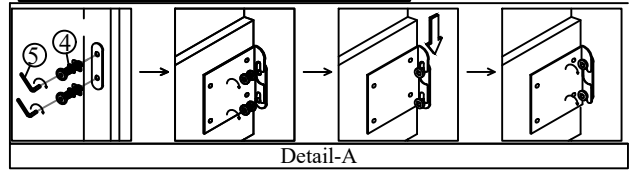


ASSEMBLY INSTRUCTIONS

ITEM NO : KING SLEIGH BED

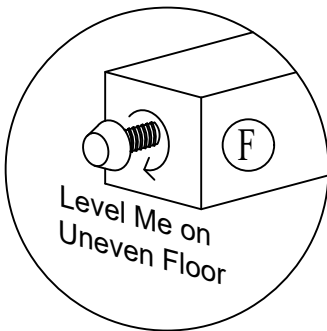
STEP 2:

COMPLETED ASSEMBLY

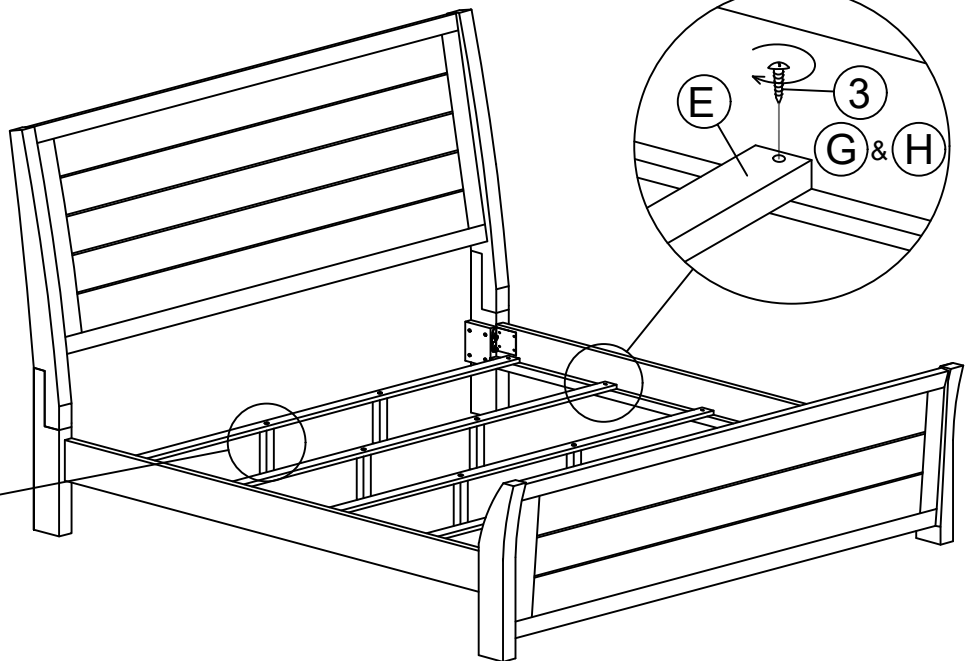
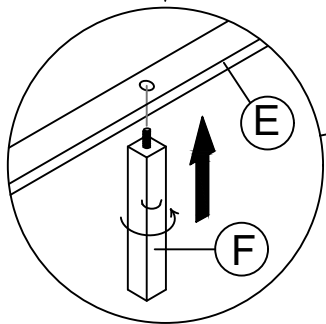


STEP 3:

STEP 3.2:



STEP 3.1: ↑



THE HARDWARE IS LOCATED IN THE PACKING ITEMS

NOTE : MUST TIGHTEN SCREWS PERIODICALLY. WITH USE SCREWS MAY BECOME LOOSE.
CHECK TIGHTNESS OF ALL SCREWS EVERY 6-8 WEEKS.

CLEANING INSTRUCTION

After assembled, clean & polish the completed parts if necessary with soft cloth and industrial recognized furniture polish

MADE IN MALAYSIA