

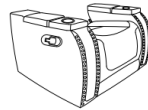

## ASSEMBLY INSTRUCTIONS

BRECKENRIDGE II COLLECTION

ITEM#: L3183A-13

DESCRIPTION : BRECKENRIDGE II GLIDER  
RECLINER W/ PWR FR & HR

Thank you for purchasing this quality product. Be sure to check all packing materials carefully for small parts, which may have come loose during shipment. Identify and count all items and compare with the parts list shown below. It is recommended to have two people during assembling and to remove the back and base of the furniture out from the box. **Please follow the drawings below to assemble the item**

PARTS LIST			
NO.	DESCRIPTION	SKETCH	QTY
A	Seat		1PC
B	Backrest		1PC

All images shown are for illustration purpose only.  
Actual product may vary due to product enhancement.

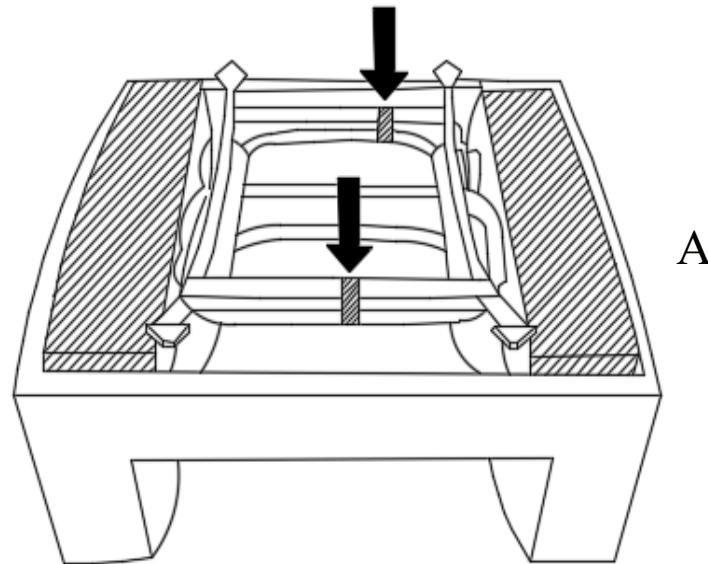
# ASSEMBLY INSTRUCTIONS

BRECKENRIDGE II COLLECTION

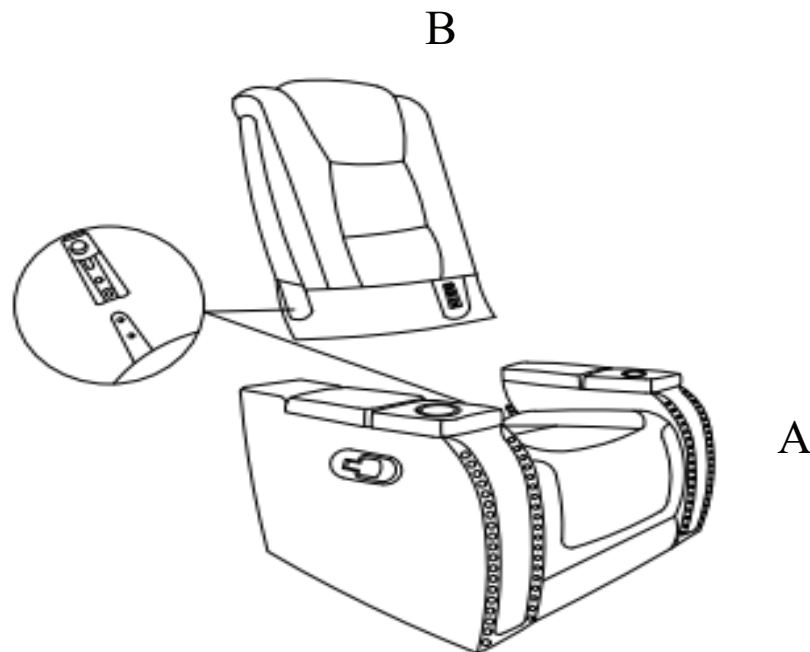
ITEM#: L3183A-13

DESCRIPTION : BRECKENRIDGE II GLIDER  
RECLINER W/ PWR FR & HR

Step 1:  
Check the bottom of the Seat (A) to cut and remove any fastener that is holding the mechanism in place during transportation.



Step 2:  
Insert the backrest (B) to the seat (A) and make sure the backrest is secured in position



All images shown are for illustration purpose only.  
Actual product may vary due to product enhancement.

## ASSEMBLY INSTRUCTIONS

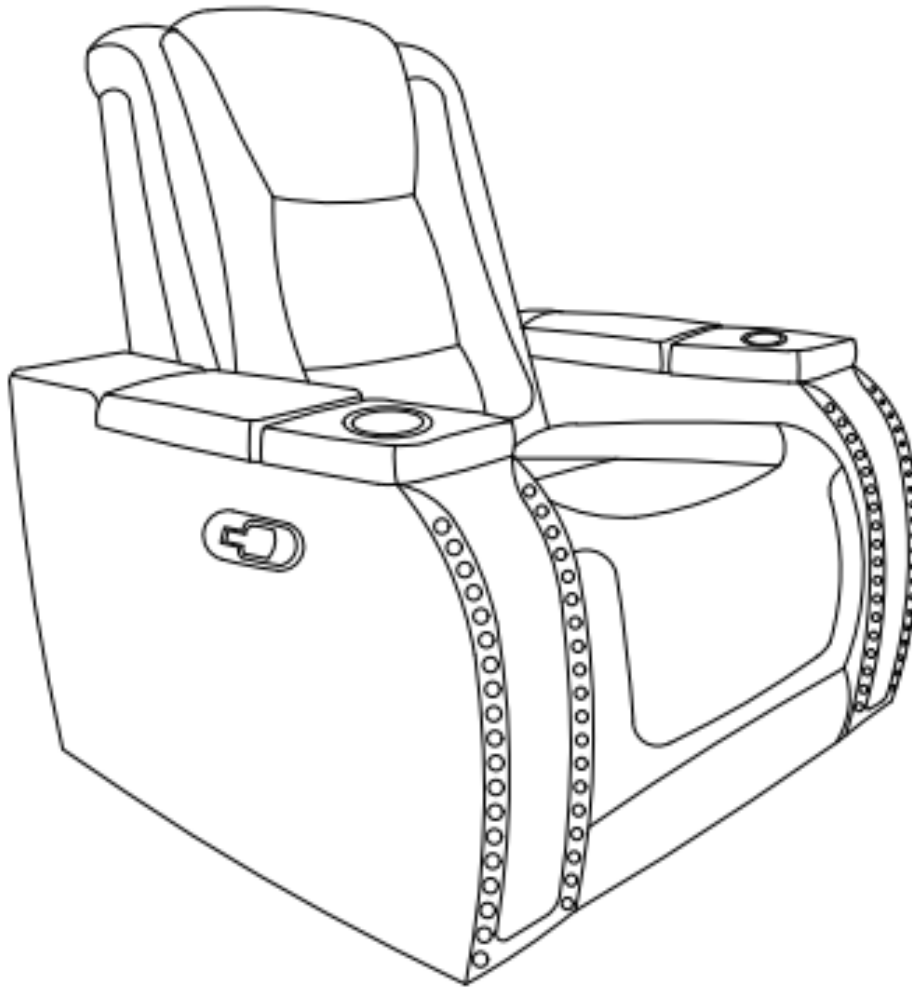
BRECKENRIDGE II COLLECTION

ITEM#:L3183A-13

**DESCRIPTION :** BRECKENRIDGE II GLIDER  
RECLINER W/ PWR FR & HR

Step 3:

Open the footrest by pulling the handle.



All images shown are for illustration purpose only.  
Actual product may vary due to product enhancement.