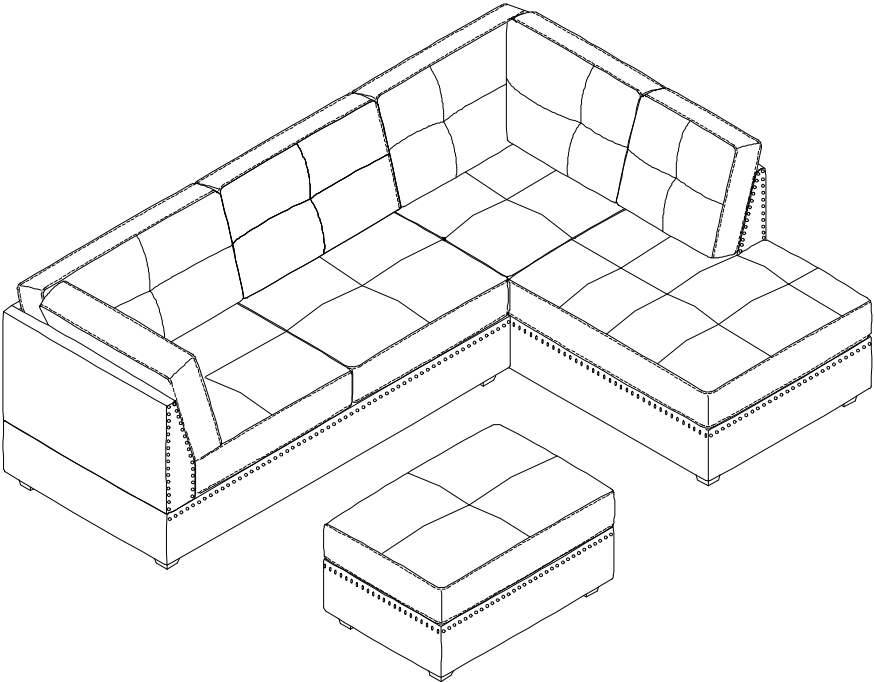


ASSEMBLY INSTRUCTIONS

TOOLS REQUIRED

No Tool Required For Assembly



2 - Persons
Recommended

ASSEMBLY RATING



EASY —————> DIFFICULT

The Assembly Rating is a 5-point system showing the level of effort needed to assemble a specific product.



CHECK BEFORE STARTING

Are you missing anything?

Double-check all parts, hardware and accessories listed on Page 6 are accounted for.

Check out our Quick Tips!

We recommend reviewing the pre-assembly handouts. Even experts need a refresher now and then!

Should we send any replacements?

Are there any irregularities or flaws in the parts? We can send replacements!

Prep Time!

Please review the assembly instructions and all diagrams prior to assembling. Arrange parts as recommended on Page 7 and group identical hardware together to make assembling easier.

PRE ASSEMBLY INTRODUCTION

We understand building ready-to-assemble furniture can be a challenging experience for some. To help avoid confusion, we have provided some helpful tips that may speed up the process.



Teamwork

ALWAYS have at least two people to help with transporting and assembling the product to avoid potential injury and/or damage.



Suitable Location

Assembling near the area of the intended location is highly recommended.



Sufficient Space

Make sure you have enough space to move around during the assembly.



Avoid Scratches

Use cardboard, blankets or a carpeted area while assembling furniture to prevent scratches.



Flat Surface

Make sure the furniture rests on a flat and level surface with each leg evenly touching the floor.

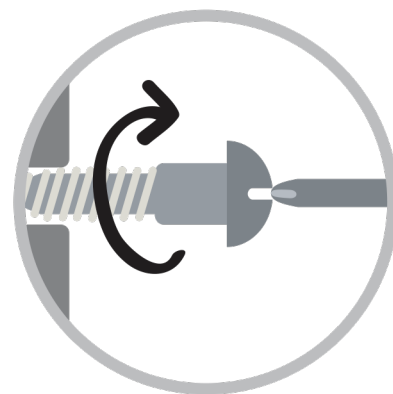
ASSEMBLY AND CARE ADVICE



FAILURE TO FOLLOW THE GUIDELINES BELOW MAY RESULT IN INJURY AND/OR PROPERTY DAMAGE.



Position each part correctly and insert screws or bolts into their respective holes.



Turn clockwise to tighten and only tighten when step is completed or when instructed to do so.



Use the appropriate hand tools or power tools for assembly. Select steps, such as tightening screws and/or bolts, may require hand tools to avoid causing damage during assembly.



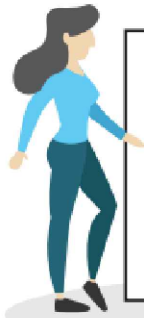
Save the instructions and store any supplied tools for later maintenance.



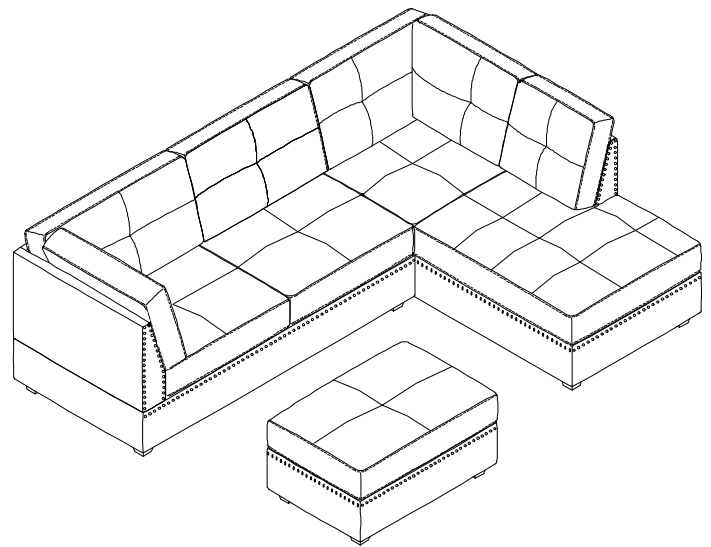
After two weeks, check and tighten any loose hardware and repeat again every six months thereafter.

IT IS THE USER'S RESPONSIBILITY TO MAINTAIN THE FURNITURE. THE HARDWARE MAY LOOSEN OVER TIME AND MAY CAUSE THE FURNITURE TO BE WOBBLY AND UNABLE TO SUPPORT ITS INTENDED WEIGHT CAPACITY. THIS MAY LEAD TO COLLAPSE AND MAY CAUSE SERIOUS INJURY.

Combination Sofa

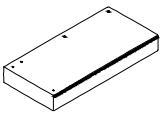


- Please keep instructions for future reference.
- Check the quantity and irregularity of parts and hardware before you start.



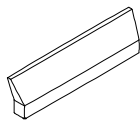
PARTS

#1 1pc



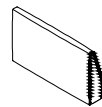
Sofa Seat Frame

#2 1pc



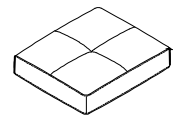
Sofa Back Rest

#3 1pc



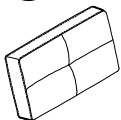
Sofa Arm

#4 2pcs



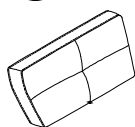
Sofa Seat Cushion

#5 1pc



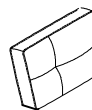
Sofa Back Cushion

#6 1pc



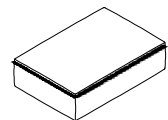
Sofa Back Cushion

#7 2pcs



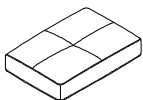
Back Cushion

#8 1pc



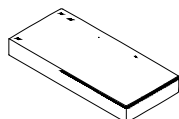
Ottoman Frame

#9 1pc



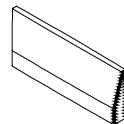
Ottoman Cushion

#10 1pc



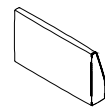
Chaise Seat

#11 1pc



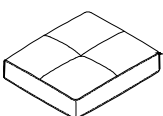
Chaise Back Rest

#12 1pc



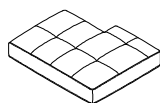
Chaise Back Rest

#13 1pc



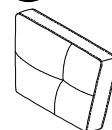
Chaise Seat Cushion

#14 1pc



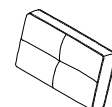
Chaise Seat Cushion

#15 1pc



Chaise Back Cushion

#16 1pc



Chaise Back Cushion

17 12pcs



Leg

HARDWARE

#A 10pcs



Bolt Ø5/16" x 3-1/2"

#B 10pcs



Nut Ø5/16" x 12mm

#C 10pcs



Flat Washer Ø5/16"

#D 1pc



Wrench 14mm

#E 12pcs

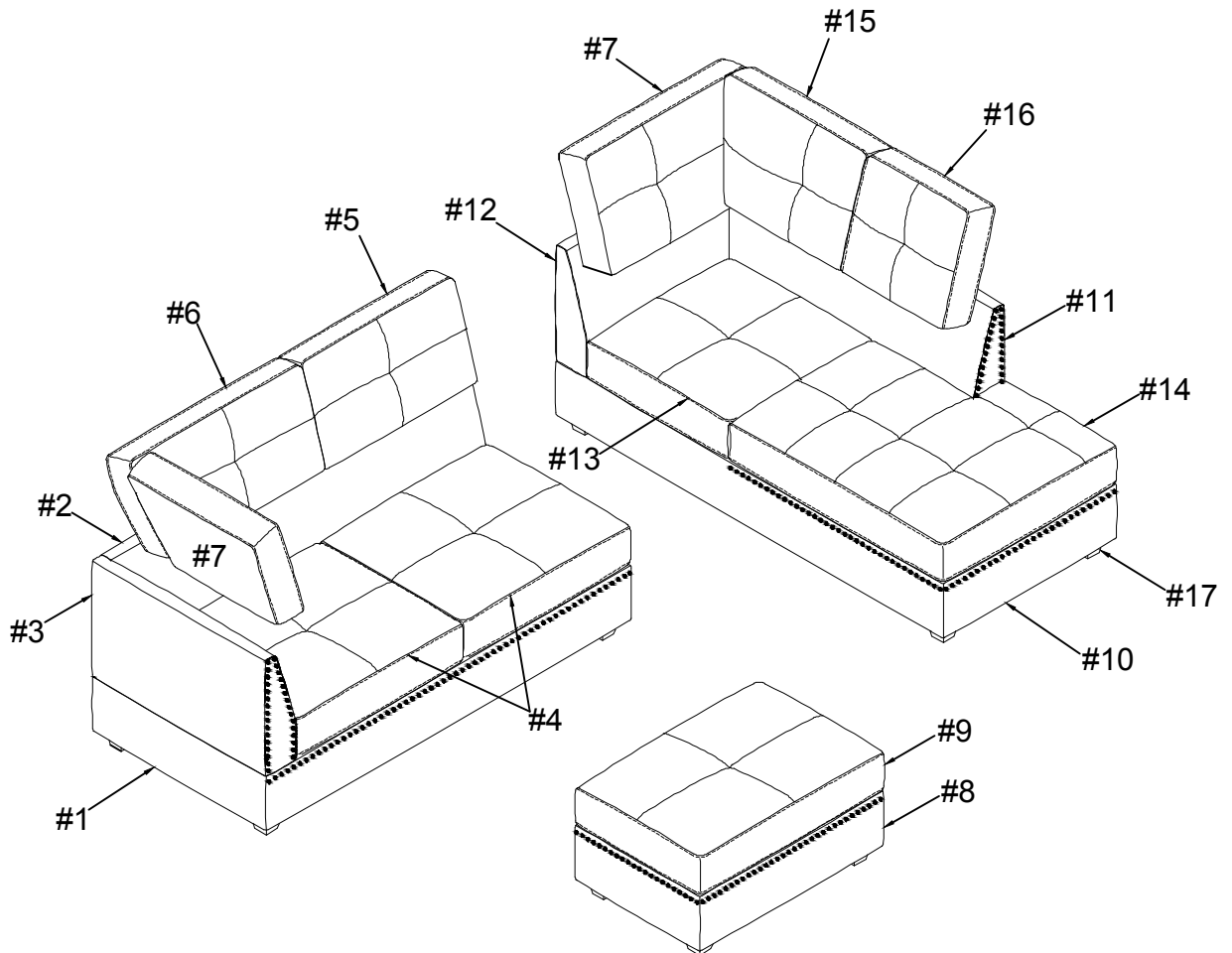


Plastic Washer

#F 2pcs



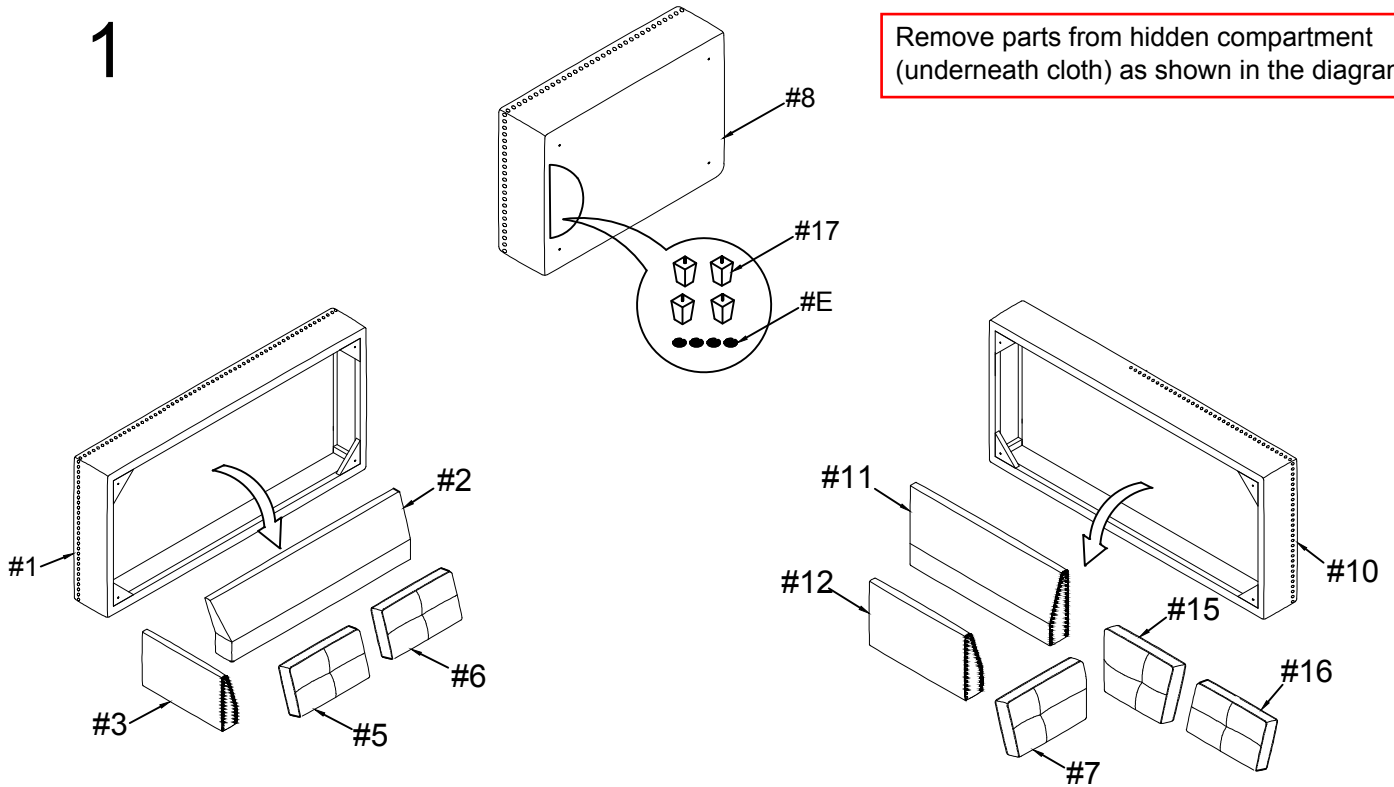
Connect Hardware



ASSEMBLY INSTRUCTIONS

1

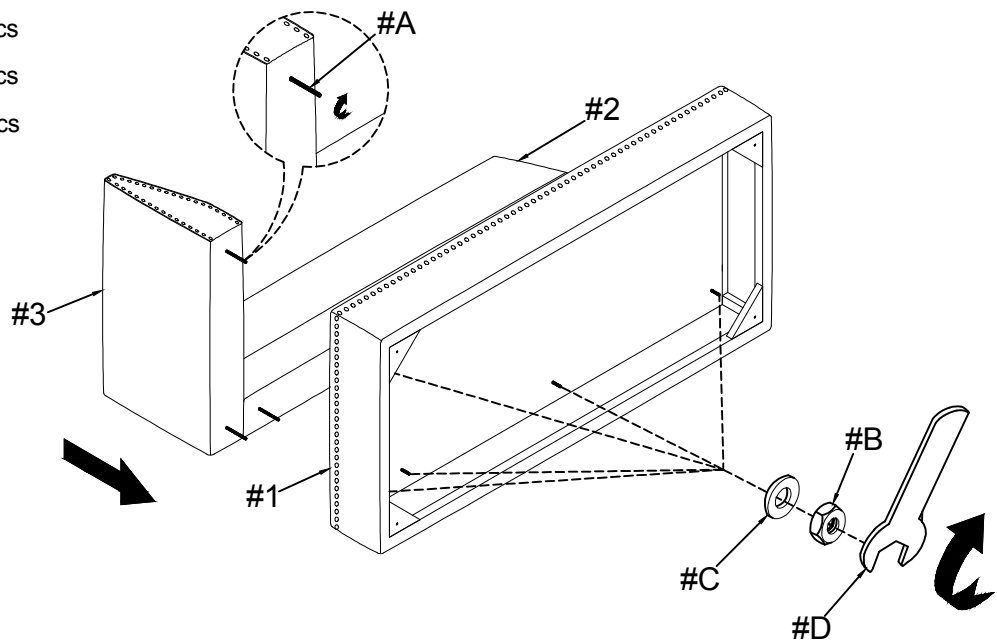
Remove parts from hidden compartment (underneath cloth) as shown in the diagram.



2

Attach threaded bolts (#A) 1/3 into sofa arm (#3) and back rest (#2). Align arm and back rest (#2,3) to the seat (#1), then secure by using hex nuts (#B) with washers (#C).

- Part #1 x1pc
- Part #2 x1pc
- Part #3 x1pc
- Hardware #A x5pcs
- Hardware #B x5pcs
- Hardware #C x5pcs

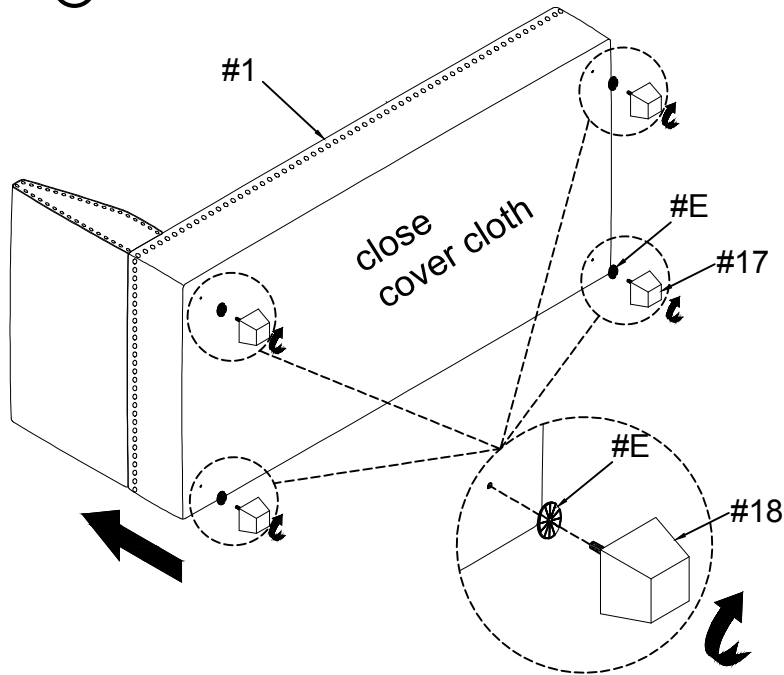


ASSEMBLY INSTRUCTIONS

3

Part #17 x4pcs
Hardware #E x4pcs

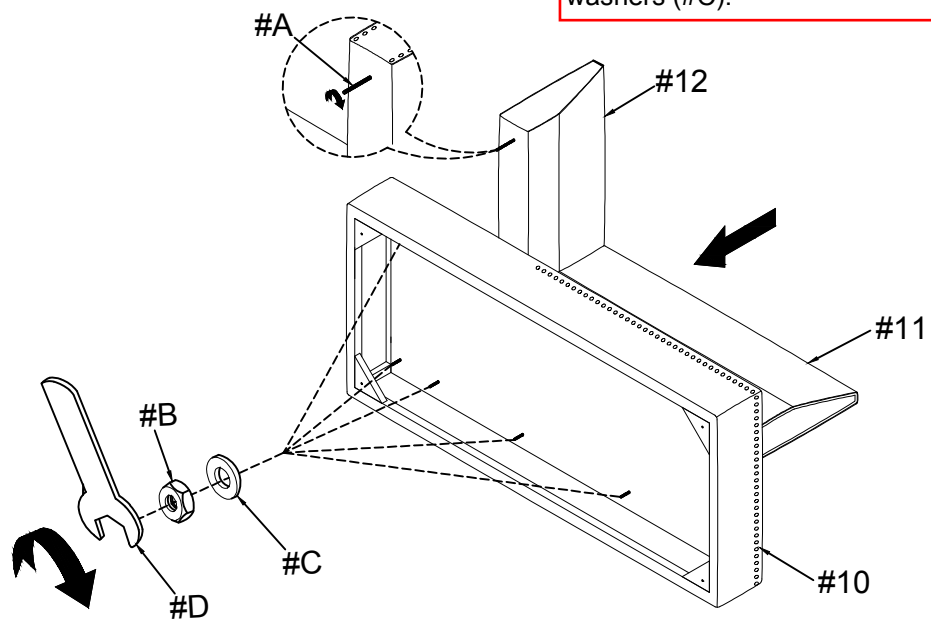
Close cover cloth on seat (#1), then attach legs (#18) with washers (#E) to the seat (#1).



4

Part #10 x1pc
Part #11 x1pc
Part #12 x1pc
Hardware #A x5pcs
Hardware #B x5pcs
Hardware #C x5pcs

Attach threaded bolts (#A) 1/3 into arm (#12) and back rest (#11). Align arm and back rest (#11,12) to the seat (#1), then secure by using hex nuts (#B) with washers (#C).

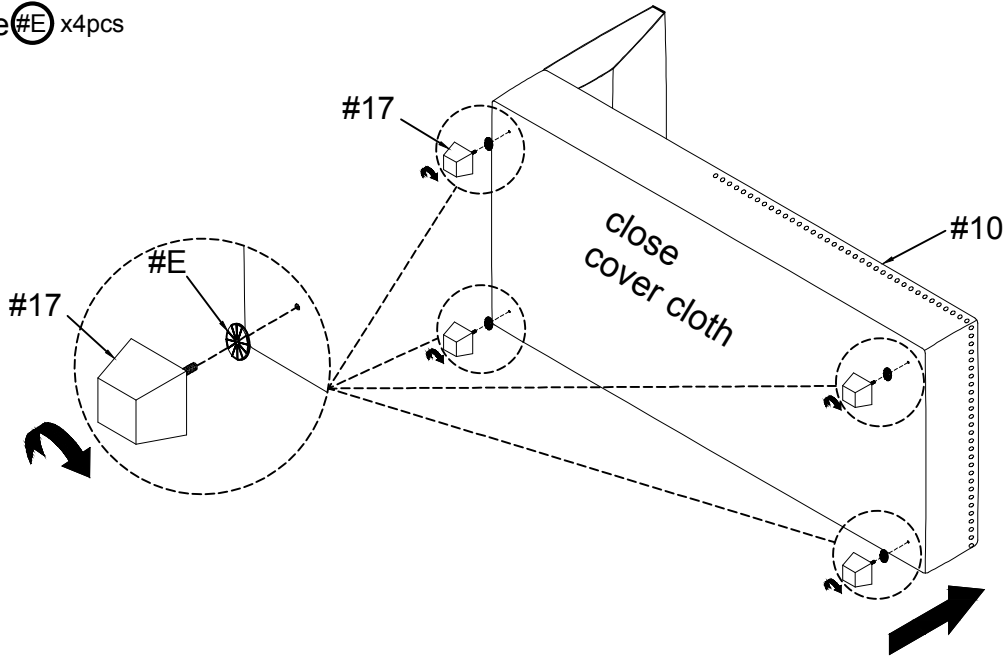


ASSEMBLY INSTRUCTIONS

5

Part **#17** x4pcs
Hardware **#E** x4pcs

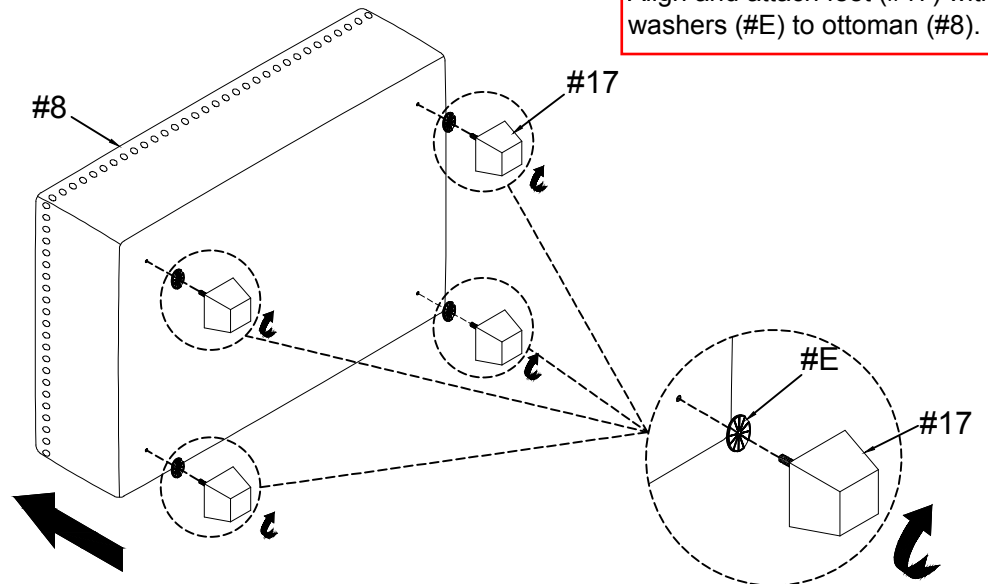
Close cover cloth on seat (#10),
then attach legs (#17) with
washers (#E) to the seat (#10).



6

Part **#8** x1pc
Part **#17** x4pcs
Hardware **#E** x4pcs

Align and attach feet (#17) with
washers (#E) to ottoman (#8).

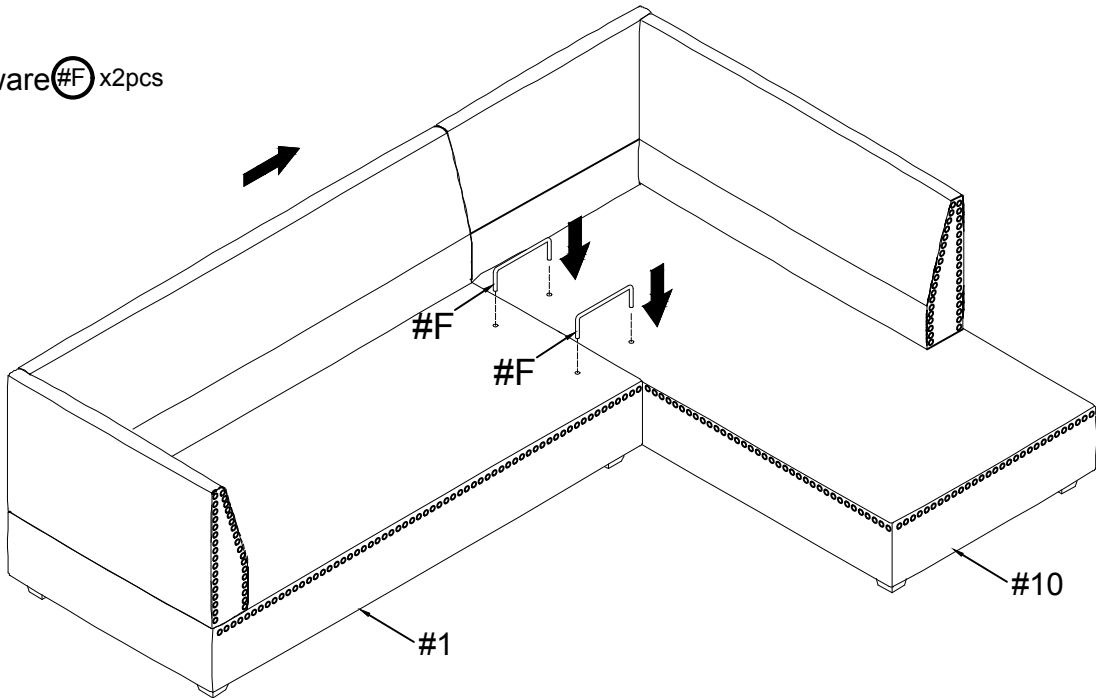


ASSEMBLY INSTRUCTIONS

Align seats (#1,10) together secure by using connectors (#F).

7

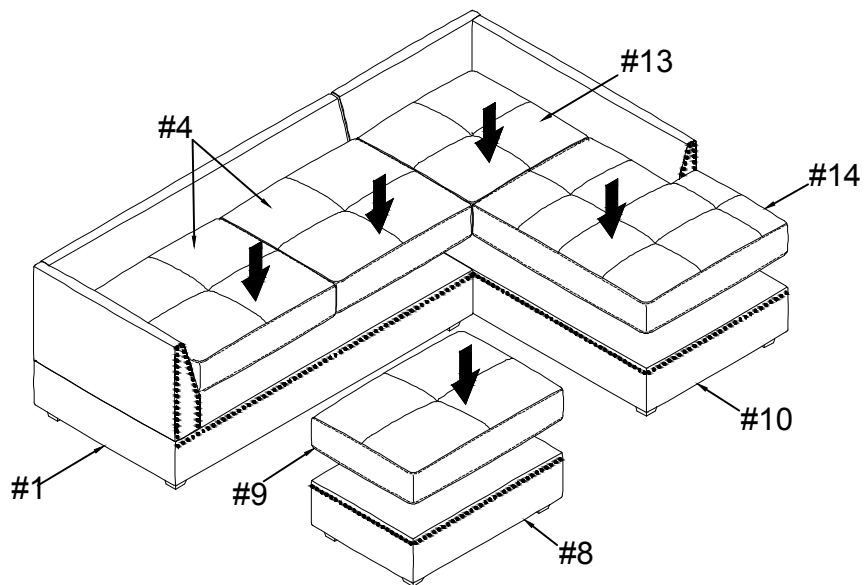
Hardware (#F) x2pcs



8

Part (#4) x2pcs
Part (#9) x1pc
Part (#13) x1pc
Part (#14) x1pc

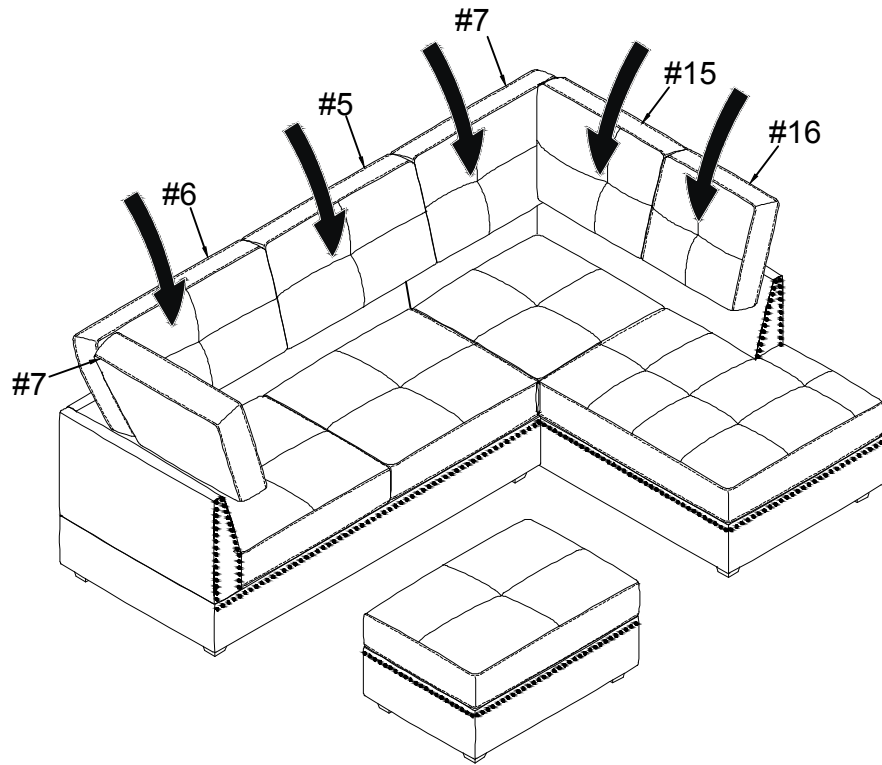
Align cushions to the seat.



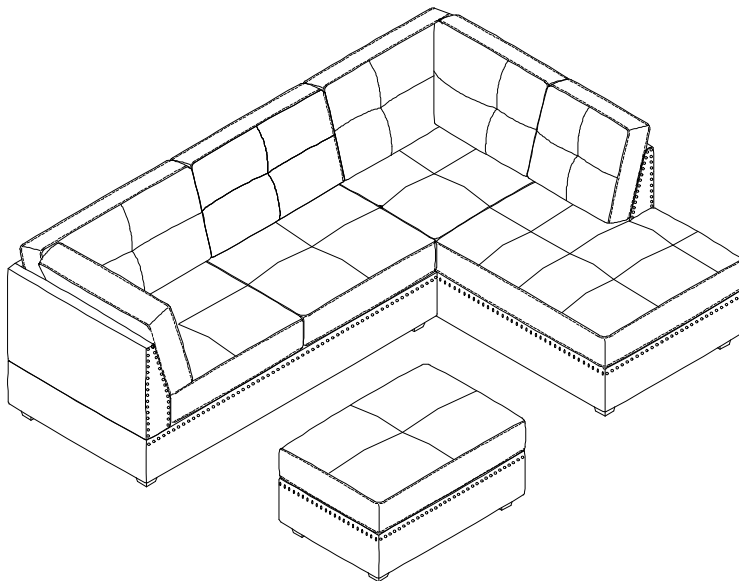
ASSEMBLY INSTRUCTIONS

9

- Part #5 x1pc
- Part #6 x1pc
- Part #7 x2pcs
- Part #15 x1pc
- Part #16 x1pc



10



ASSEMBLY COMPLETED



Please ensure the furniture rests on an even and flat surface. If the product wobbles or feels loose, double-check all bolts and/or screws are properly tightened and secured.



Keep this handy!

Please retain this instruction manual and any order-related information for future reference.