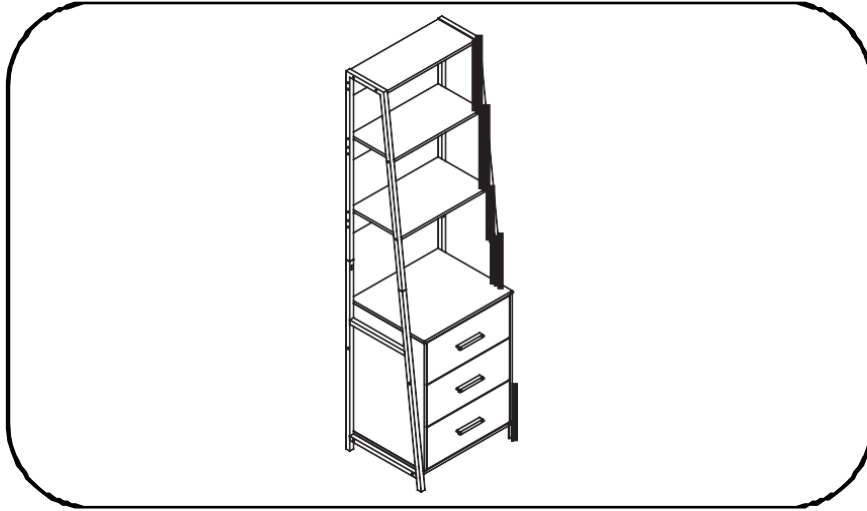


Industrial Shelf



Assembly Instructions

Product Dimensions:
43.98"L×20"D×45"H

Please take a moment to read through the entire instruction booklet before assembly to familiarize yourself with this product. Once you feel ready to start, follow the instructions step by step and this should make this process as easy as we could make it for you.

WARNING CAUTION

ADULT ASSEMBLY REQUIRED

CHOKING HAZARD

- This product includes small parts, sharp points and sharp edges in its unassembled state. Keep unassembled parts away from children under 3 years of age, and animals.

SAFETY WARNINGS

- Follow the information on the warnings appearing on cabinet and on the carton. Do not remove warning label from cabinet.
- Do not allow children under 3 years of age to use the cabinet.
- Do not use substitute parts. Contact the manufacturer or dealer for replacement parts.

FURNITURE TIP-OVER HAZARD

Children have died from furniture tip-over

To reduce the risk of furniture tip-over:

- ALWAYS install tip-over restraint especially if used by a wall or in the open.
- NEVER put a TV on this product
- NEVER allow children to stand, climb or hang on drawers, doors, or shelves.
- NEVER open more than one drawer at a time.
- ALWAYS place heaviest items in lowest of cabinet.

PARENTAL SUPERVISION IS REQUIRED

- Parents or Guardians should supervise use under the intended age specifically regarding children that may have access to it and climb on the unit.
- Do not allow horseplay on, under, or behind the unit and prohibit jumping on the cabinet.
- If used improperly, your table may be pulled over or fall, creating risk of injury or damage. Children should not be permitted to climb or pull on the cabinet.

USE, MAINTENANCE & ASSEMBLY

- Periodically check and ensure that the components are in their proper position, free from damage, and that all connectors are tight.
- Use on level surfaces only. Assemble on a soft level surface to avoid damage to unit or floor.
- Do not use this item if any components are missing or damaged.
- Do not use substitute parts. Contact the manufacturer or dealer for replacement parts.
- Only clean using damp cloth and mild detergent, do not use bleach or abrasive cleaners.
- Check you have all components and tools listed on page 4
- Do not stand or put weight on this product during assembly, this could cause damage.
- Remove all hardware from the plastic bags and separate them into groups.
- Assemble the item as close to its final position (in the same room) as possible.
- Certain assembly steps may be easier with 2 people.
- Dispose of all packaging carefully and responsibly.
- We do not recommend power screwdrivers. Only use hand screwdrivers to prevent damage to unit.

Keep these instructions for future reference

~~Enfants morts suite au basculement d'un meuble.~~

Afin de limiter le risque de basculement de meuble:

- TOUJOURS utiliser les fixations anti-basculement.
- NE JAMAIS installer de TV sur ce produit.
- NE JAMAIS laisser d'enfants se tenir debout sur les tiroirs, portes ou étagères, y grimper ou s'y suspendre.
- NE JAMAIS ouvrir plus d'un tiroir à la fois.
- TOUJOURS placer les choses les plus lourdes dans les tiroirs du bas.

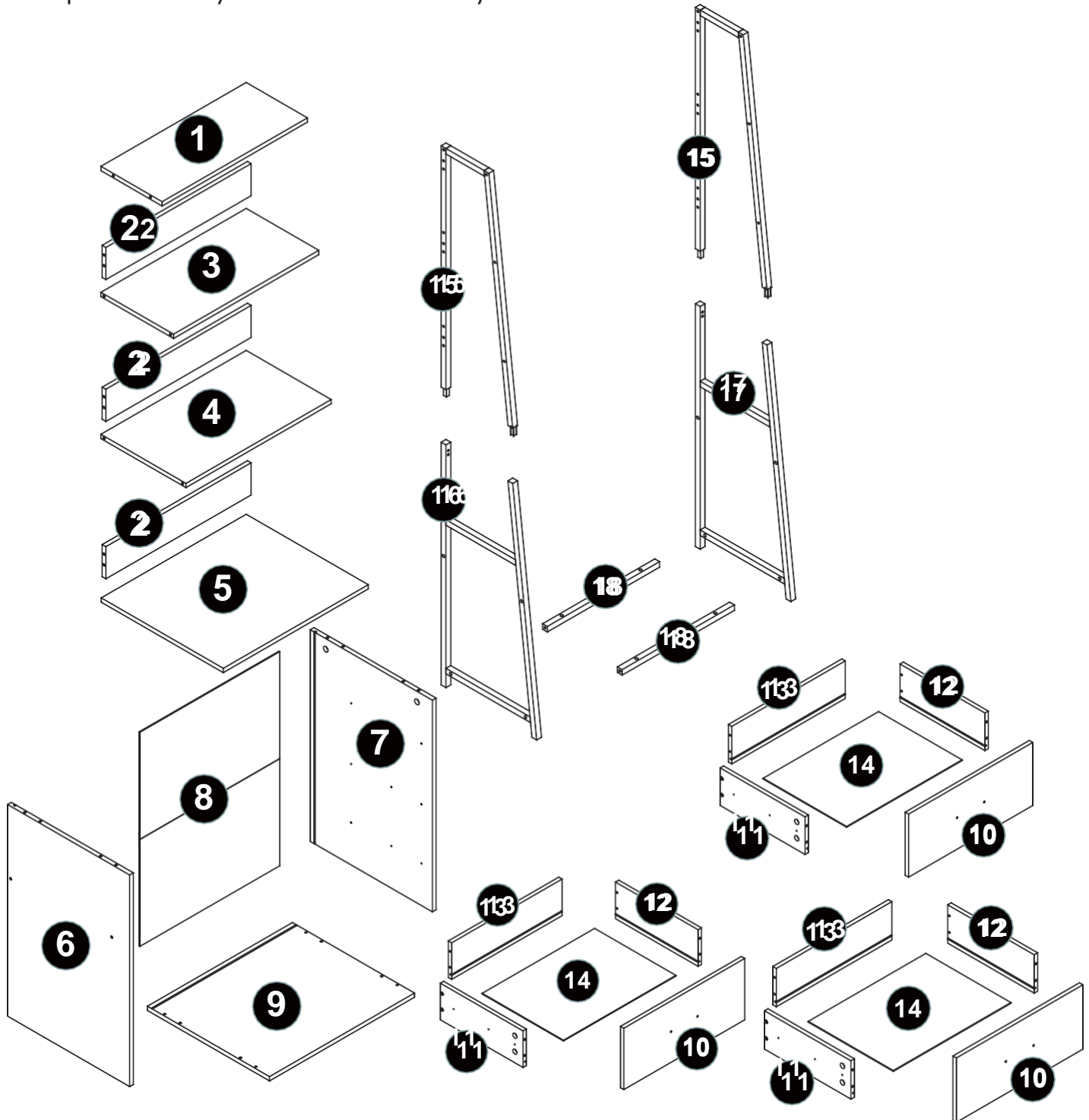
~~Han muerto niños por el vuelco de muebles.~~

Para limitar el riesgo de vuelco de los muebles:

- Utilizar SIEMPRE las fijaciones antivuelco que suministran.
- NUNCA instalar un TV sobre este producto.
- NUNCA permitir que los niños se pongan de pie, trepen o se cuelguen de los cajones, puertas o baldas.
- NUNCA abrir más de un cajón a la vez.
- Colocar los objetos más pesados en los cajones inferiores.

ASSEMBLY AT A GLANCE

Please take a moment to read through the whole instruction booklet before assembly to familiarize yourself with this product. Once you feel ready to start, follow the instructions step by step and this should make this process as easy as we could make it for you.

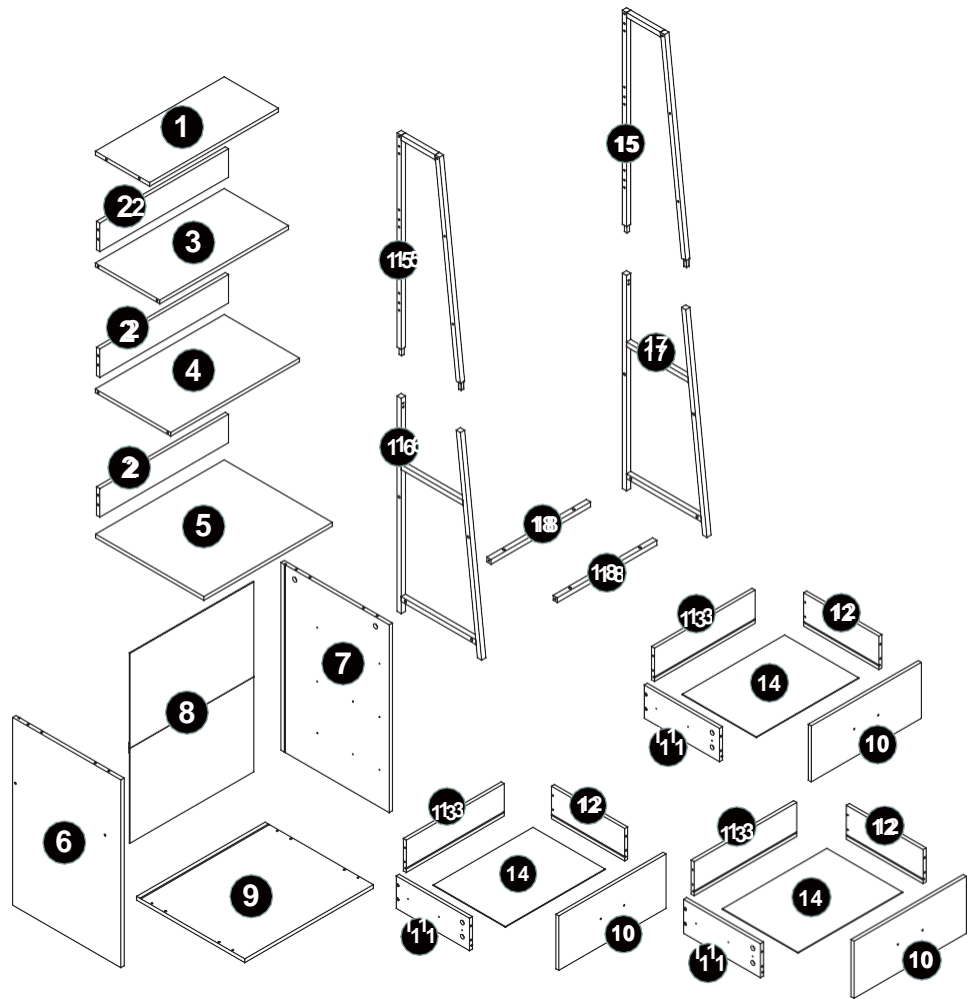


This drawing is to give you an overall idea only of how this assembly will go together and does not replace the assembly instructions.

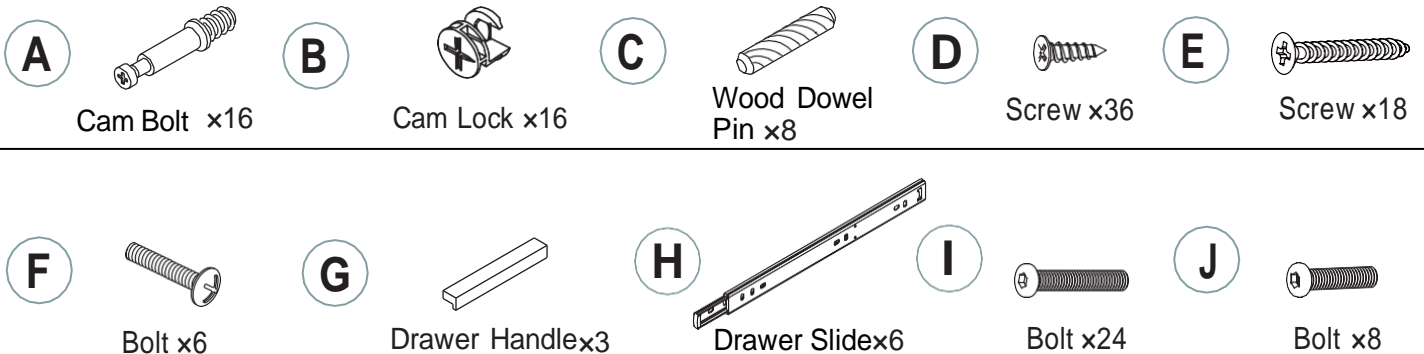
COMPONENT PARTS

Please check that you have all the parts listed below

1. Top Panel x1
2. Back Panelx3
3. Second Panelx1
4. Third Panelx1
5. Top Shelf Panelx1
6. Left Shelf Side Panel x1
7. Right Shelf Side Panelx1
8. Back Shelf Panelx1
9. Bottom Shelf Panelx1
10. Drawer Front Panelx3
11. Drawer Left Side Panelx3
12. Drawer Right Side Panelx3
13. Drawer Back Side Panelx3
14. Drawer Bottom Panelx3
15. Top of Shelf Supportx2
16. Left Shelf Supportx1
17. Right Shelf Supportx1
18. Shelf Bottom Supportx2



ASSEMBLY HARDWARE



ASSEMBLY HARDWARE

K



Bolt x8

L



Hex Screwdriverx1

M



x24

N



Screw x2

O



Fixed Fitting x2

P

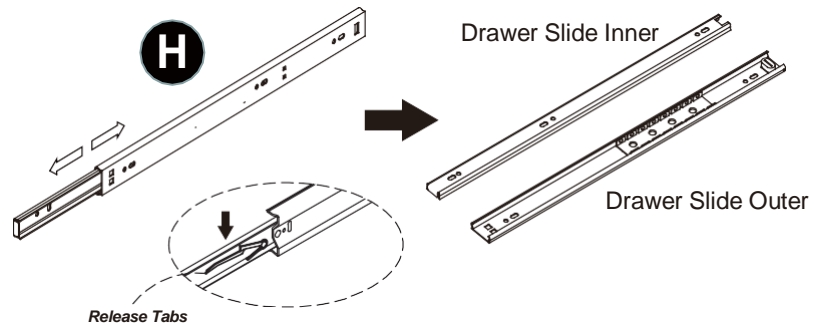


Plastic Expansion Nailx 2

ASSEMBLY INSTRUCTIONS

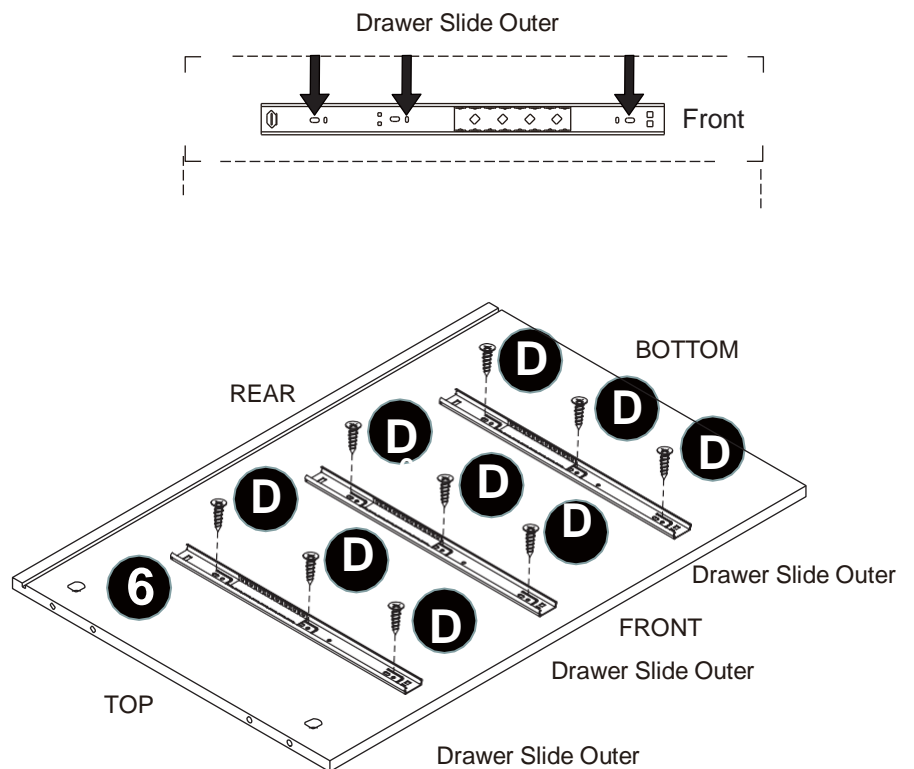
1

Select H (x6) .Divide H(x6) into Drawer Slide Inner(x6) and Drawer Slide Outer(x6).



2

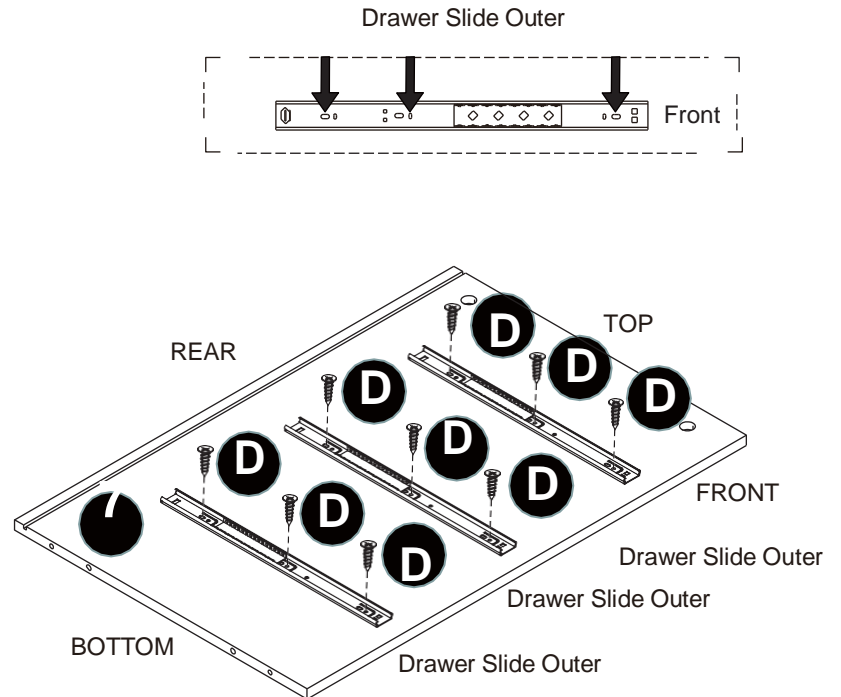
Select 6(x1), D(x9) and Drawer Slide Outer (x3). Insert Drawer Slide Outer(x3) into 6 with D(x9).



ASSEMBLY INSTRUCTIONS

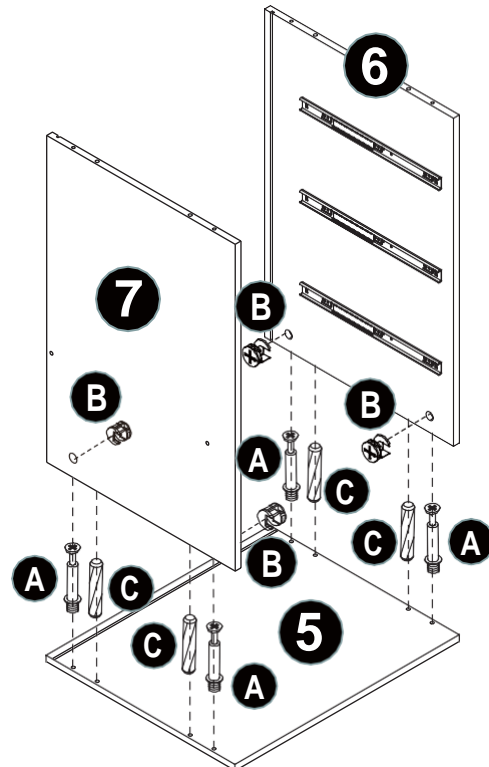
3

Select 7(x1), D(x9) and Drawer Slide Outer (x3). Insert Drawer Slide Outer (x3) into 7 with D(x9).



4

Select 5(x1), 6(x1), 7(x1), A(x4), B(x4) and C(x4). Insert B(x2) into 7. Install 7 into one side of 5 with A(x2) and B(x2). Repeat the same steps for 6 and 5.

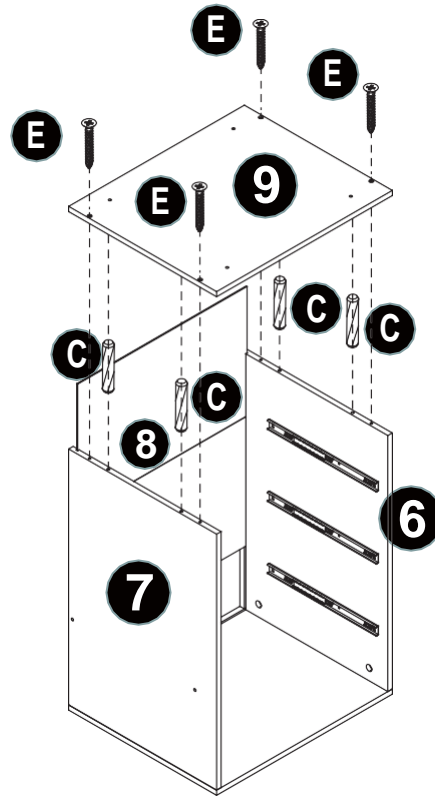


ASSEMBLY INSTRUCTIONS

5

Select 6(x1), 7(x1), 8(x1), 9(x1), C(x4) and E(x1).

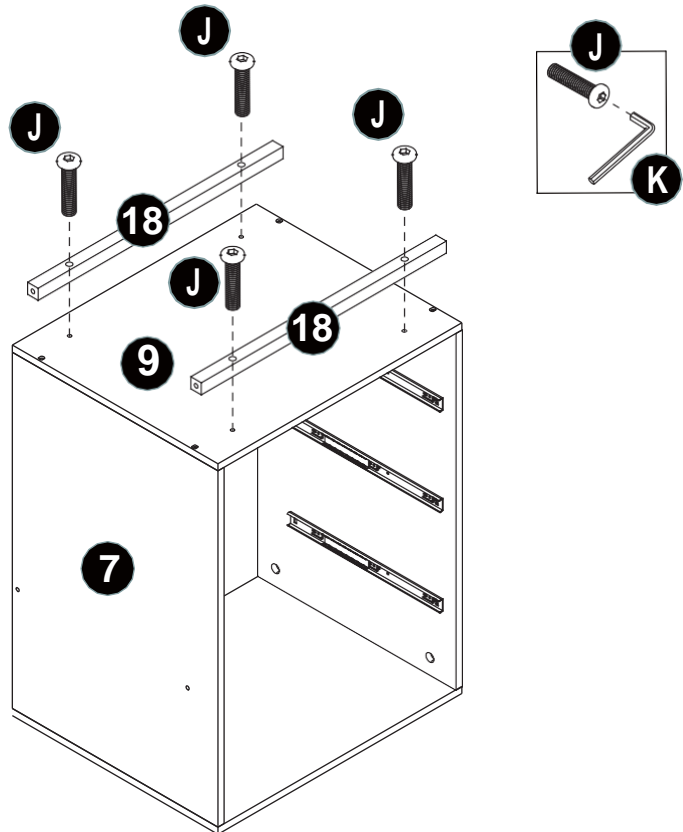
Insert 9 into top of 6 and 7 with C(x4) and E(x4). Install 8 along the groove of 6 and 7 tightly.



6

Select 7(x1), 9(x1), 18(x2), J(x4) and K(x1).

Insert J(x2) into 18(x1) into 9 with K(x1). Repeat for the other 18.

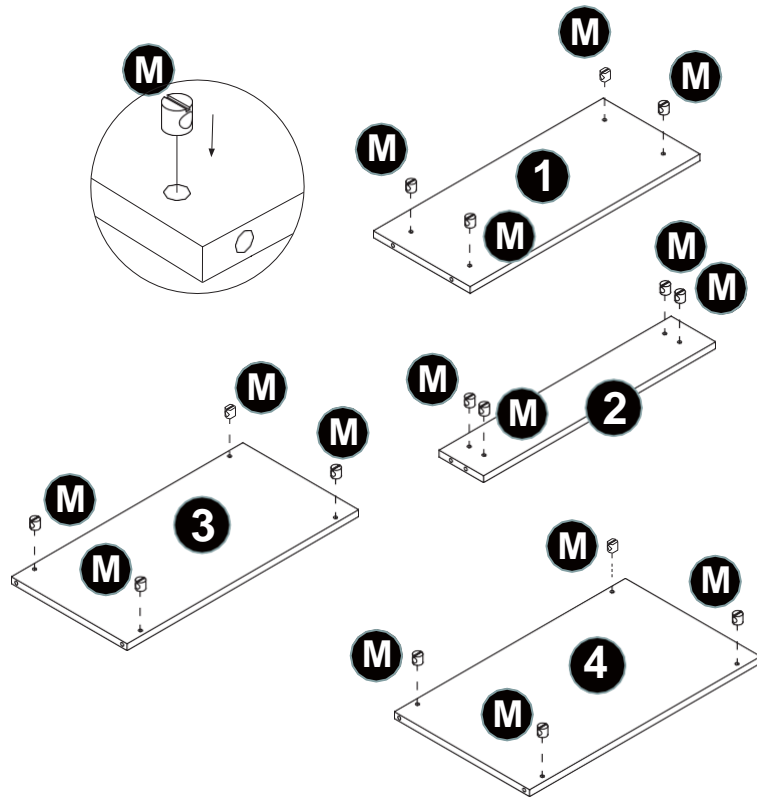


ASSEMBLY INSTRUCTIONS

7

Select 1(x1), 2(x3), 3(x1), 4(x1) and M(x24).

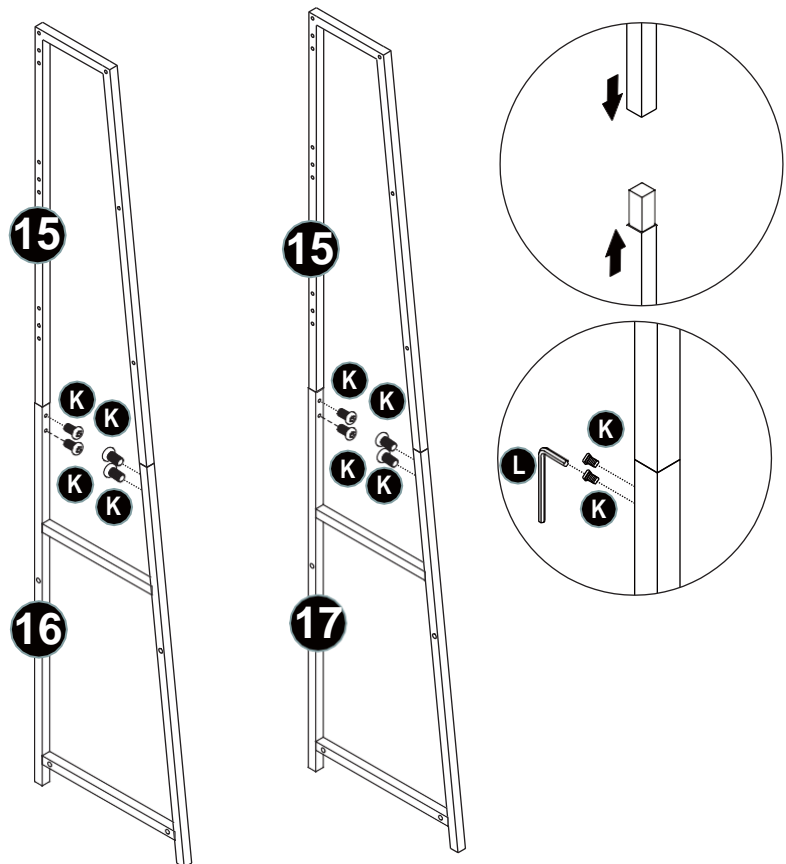
Insert M(x4) into 1. Repeat for 2(x3), 3(x1) and 4(x1).



8

Select 15(x2), 16(x1), 17(x1) and K(x8).

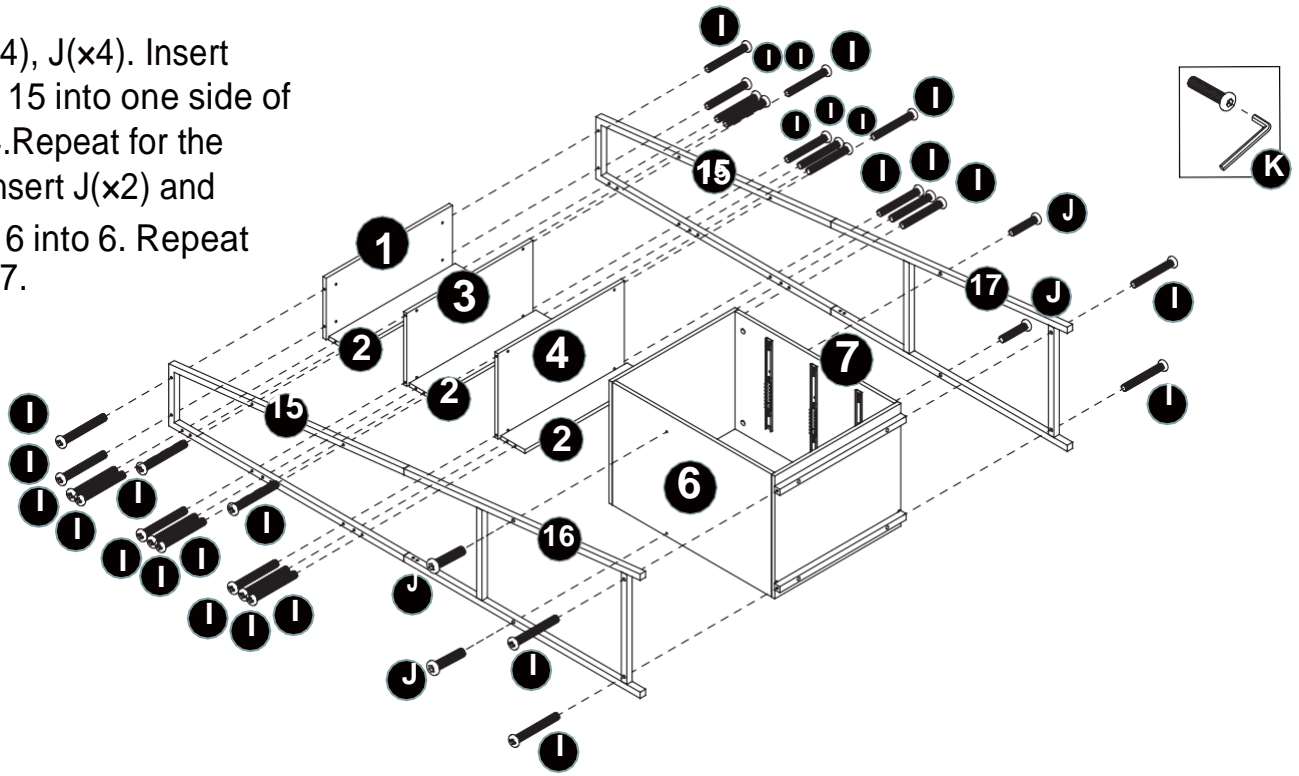
Insert 15 into 16 with K(x4). Repeat for 15 and 17.



ASSEMBLY INSTRUCTIONS

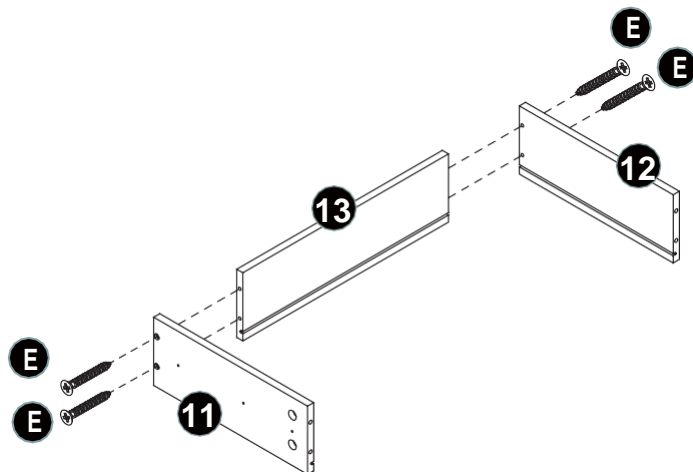
9

Select I(x24), J(x4). Insert I(x12) into 15 into one side of 1,2(x3),3,4. Repeat for the other 15. Insert J(x2) and I(x2) into 16 into 6. Repeat for 17 and 7.



10

Select 11(x3),12(x3),13(x3) and E(x12). Insert E(x2) into 11 into 13. Repeat for 12 and 13.

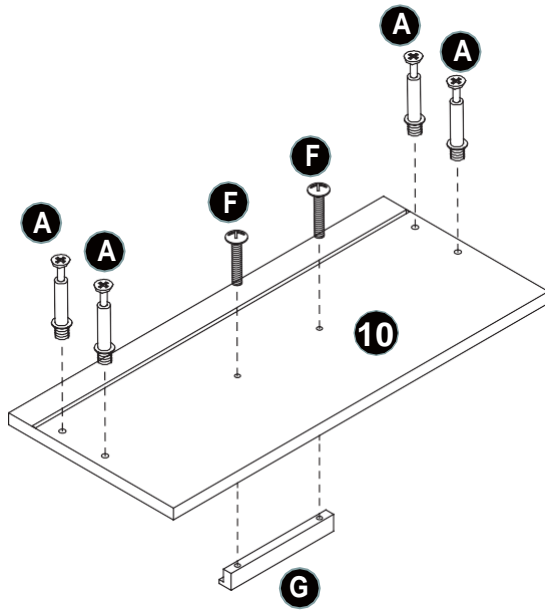


ASSEMBLY INSTRUCTIONS

11

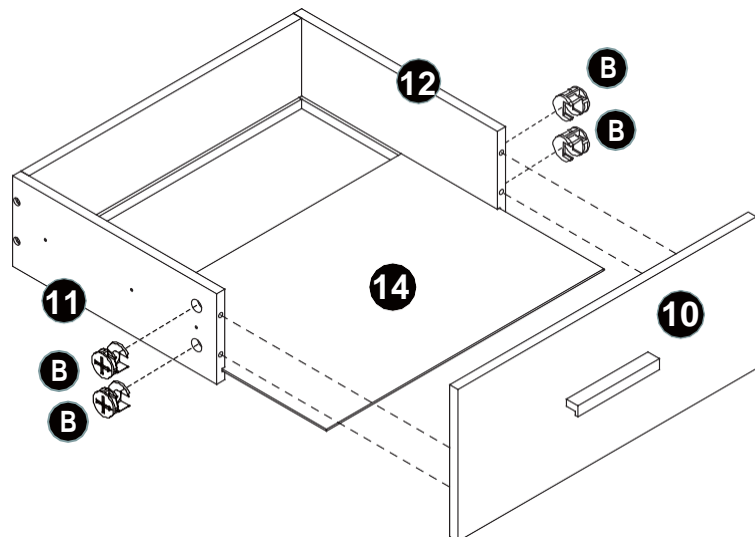
Select 10(x3),A(x12),F(x6) and G(x3).

Insert G(x1) into 10(x1) with F(x2). Insert A(x4) into 10. Repeat for other 10(x2).



12

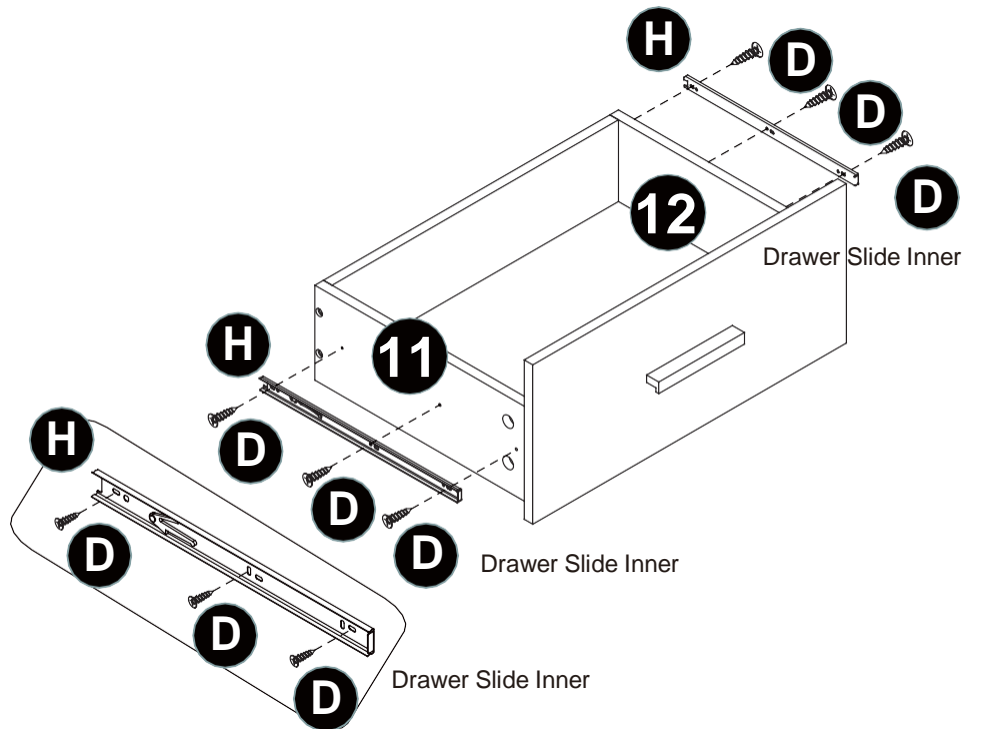
Insert 10 into 11 and 12 with B(x4). Install 14 into the grooves of 11 and 12.



ASSEMBLY INSTRUCTIONS

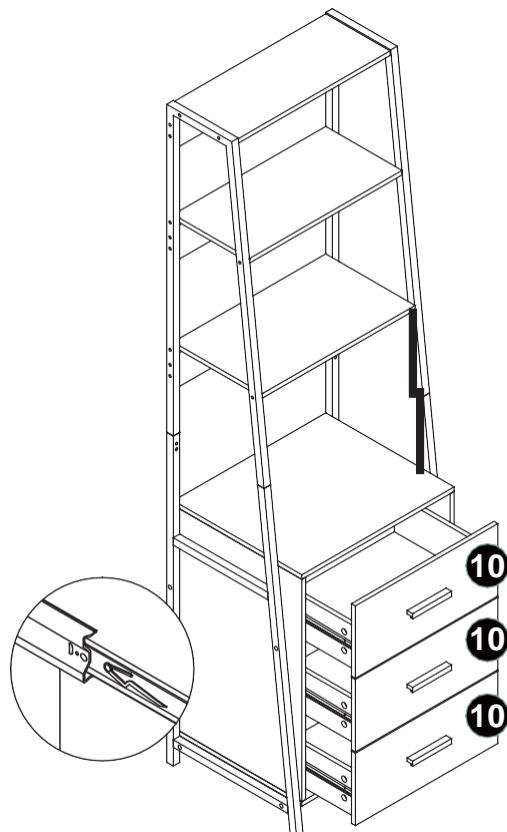
13

Select 11(x3),12(x3),D(x18),
(H)Drawer Slide Inner(x6).
Insert (H)Drawer Slide
Inner(x1) into 11 with
D(x3).Repeat for H into 12.



14

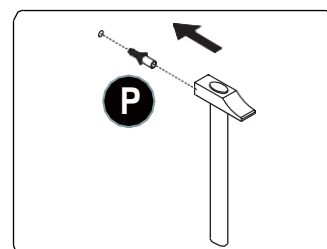
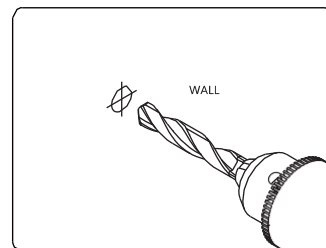
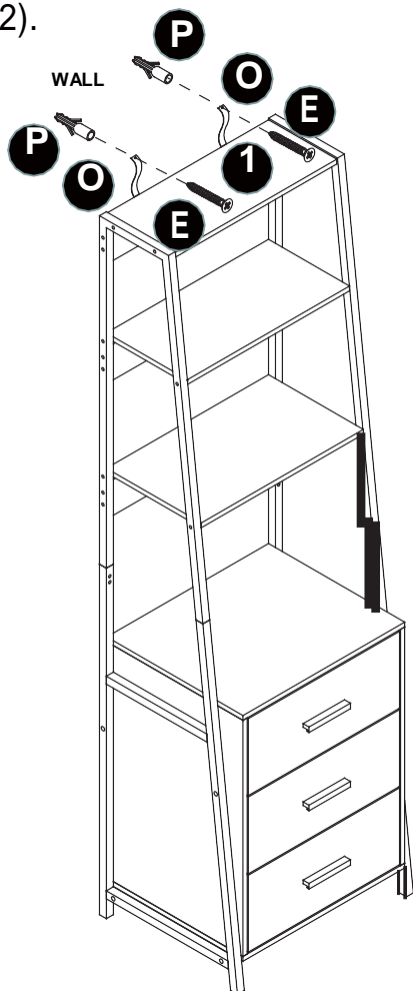
Put 10(x3) into Drawer.



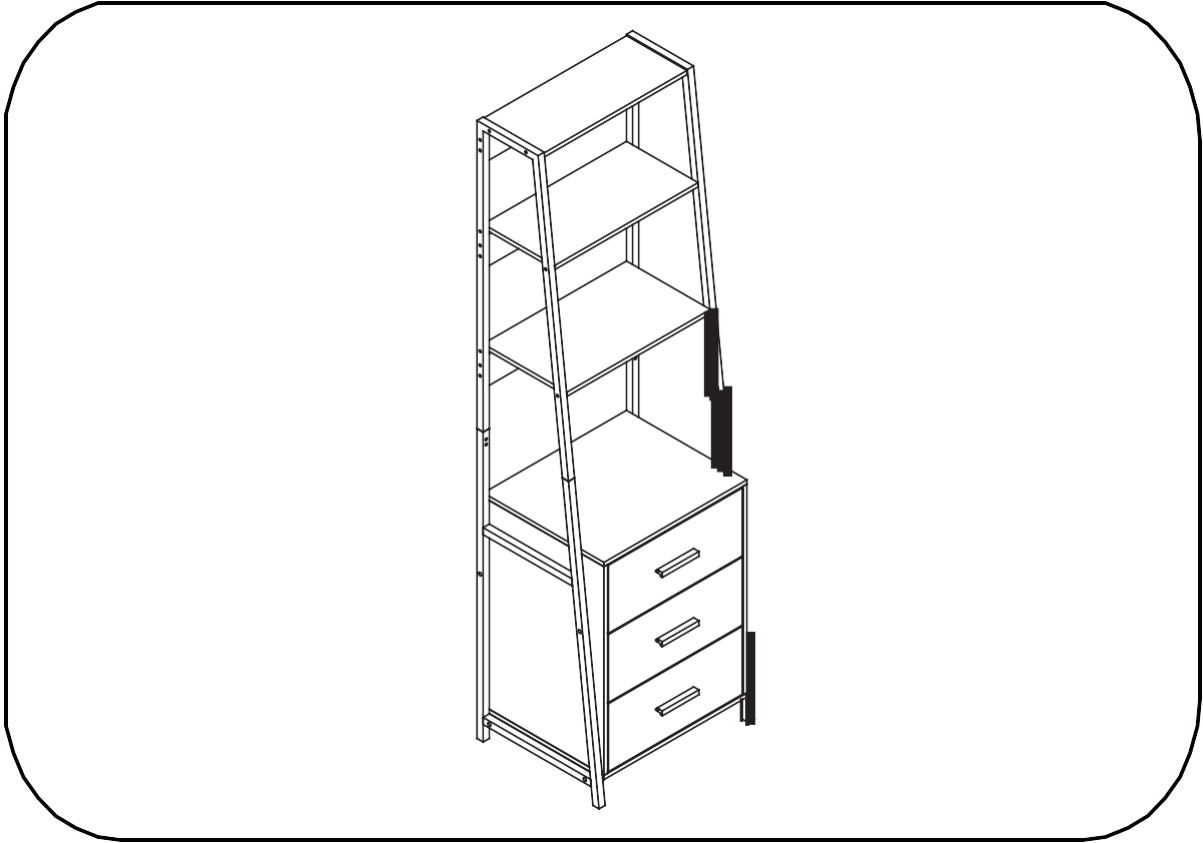
ASSEMBLY INSTRUCTIONS

15

Select P(x2), O(x2) and E(x2).
Insert E(x2) into O(x2) into
P(x2) into the Wall.



ASSEMBLY COMPLETE



CONGRATULATIONS, YOUR LADDER BOOKCASE IS COMPLETE!