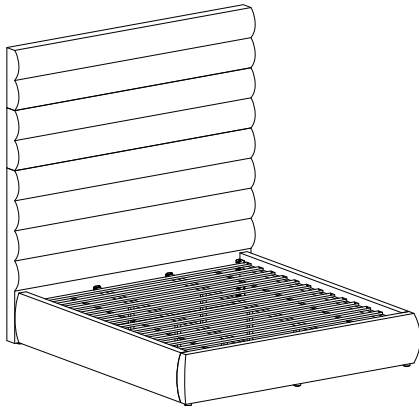


ASSEMBLY INSTRUCTION

B1255 / B1256 / B1257: 52in / 70in / 90in

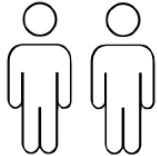
King bed



+ Do Not Use Power Tools



+ Suggested Adults



NOTE: For questions about parts or assembly please email support@meridianfurnitureusa.com or call us at 718-758-4455.

- 1 Read instructions cover to cover.
- 2 Save all packaging until assembly is completed.

1 IMPORTANT SAFETY INFORMATION

Do not assemble the product if any of the following parts arrived damaged:

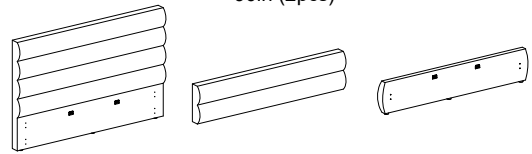
- Part # - Side Rails
- Part # - Center Support Bar
- Part # - Support Legs
- Part # - Slats

2 IMPORTANT ASSEMBLY INFORMATION

Assembly Step Ensure the side rail bracket is fully hooked onto bolt loosely threaded with both washers on the **OUTSIDE** of the bracket first, then proceed to fully tightening all 4 corners.

+ Parts Included

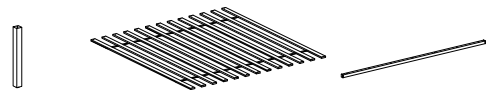
- ① Headboard (1pc) ② Headboard Panel 70in (1pc) / 90in (2pcs) ③ Footboard (1pc)



- ④ Side Rail -Left (1pc) ⑤ Side Rail -Right (1pc) ⑥ Center Rail (2pcs)



- ⑦ Support Leg (6pcs) ⑧ Slats (1pc) ⑨ Connection Rod (3pcs)



+ Hardware Included

- A JCBC M8x50mm (21pcs) B JCBC M8x40mm (18pcs) C Flat Washer (36pcs)



- D Spring Washer (33pcs) E Allen Key M5x70mm (1pc) F CSK M4x32mm (30pcs)



- G CSK M4x19mm (4pcs)

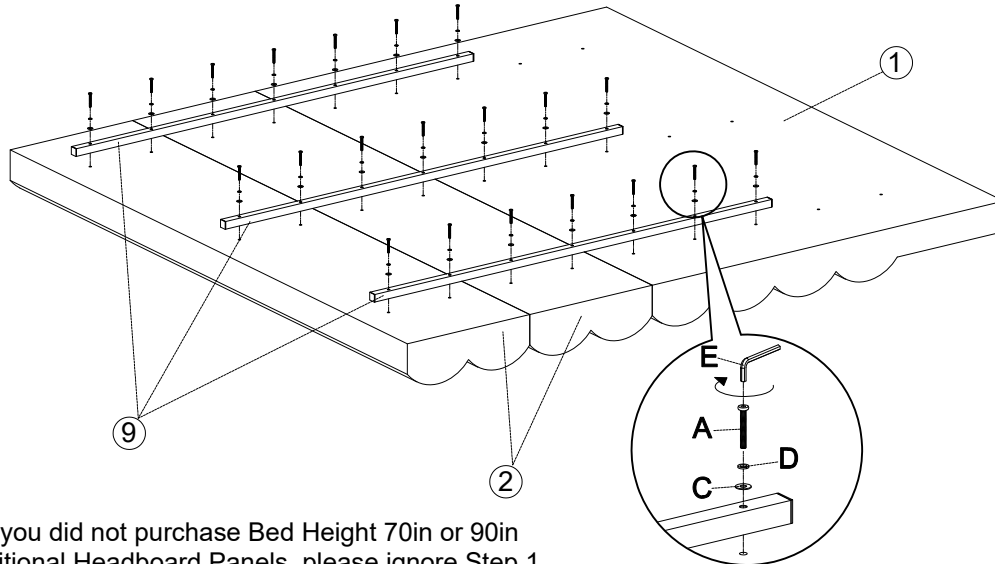


ASSEMBLY INSTRUCTION

B1255 / B1256 / B1257: 52in / 70in / 90in

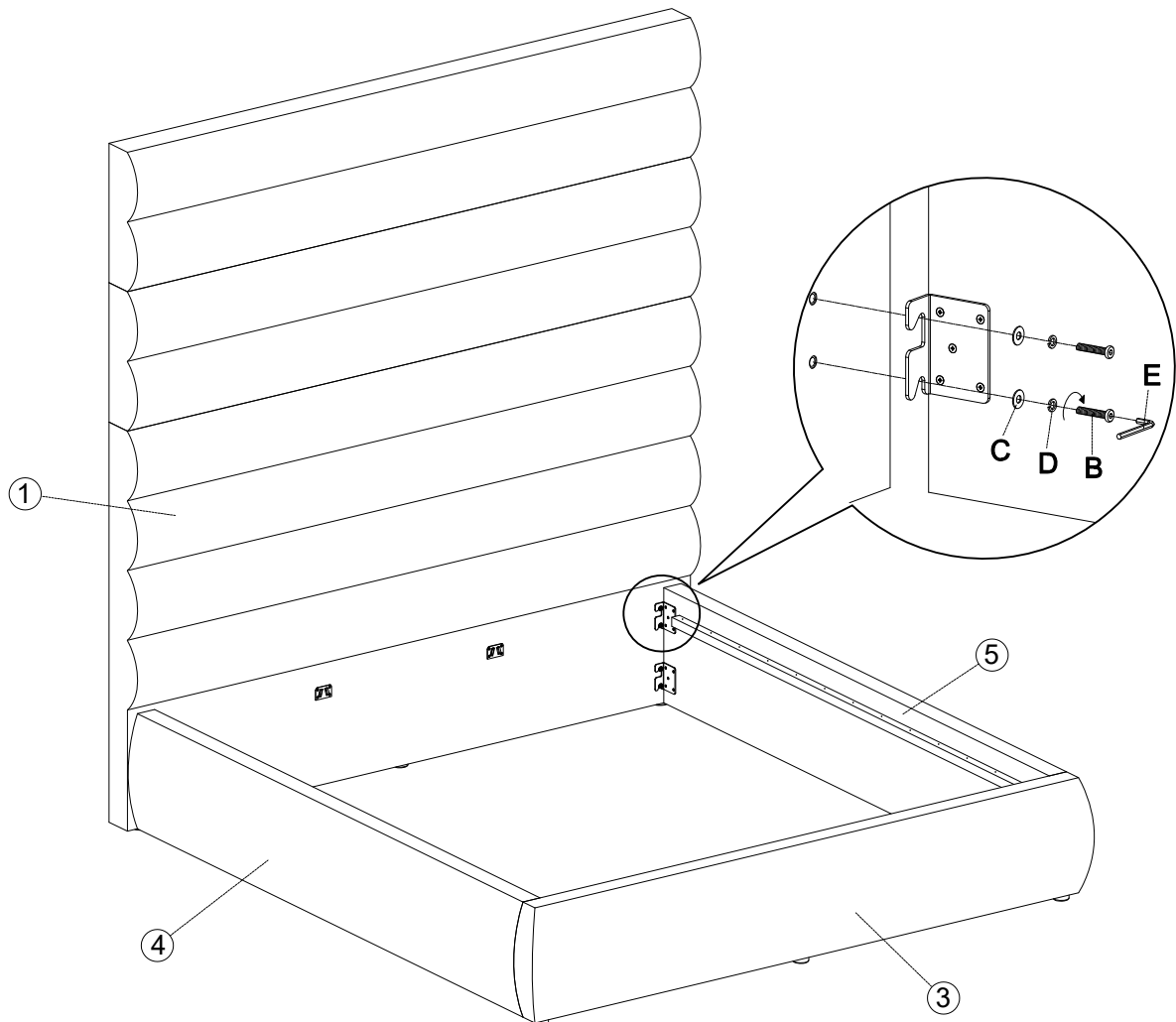
King bed

1



Important: If you did not purchase Bed Height 70in or 90in with the additional Headboard Panels, please ignore Step 1

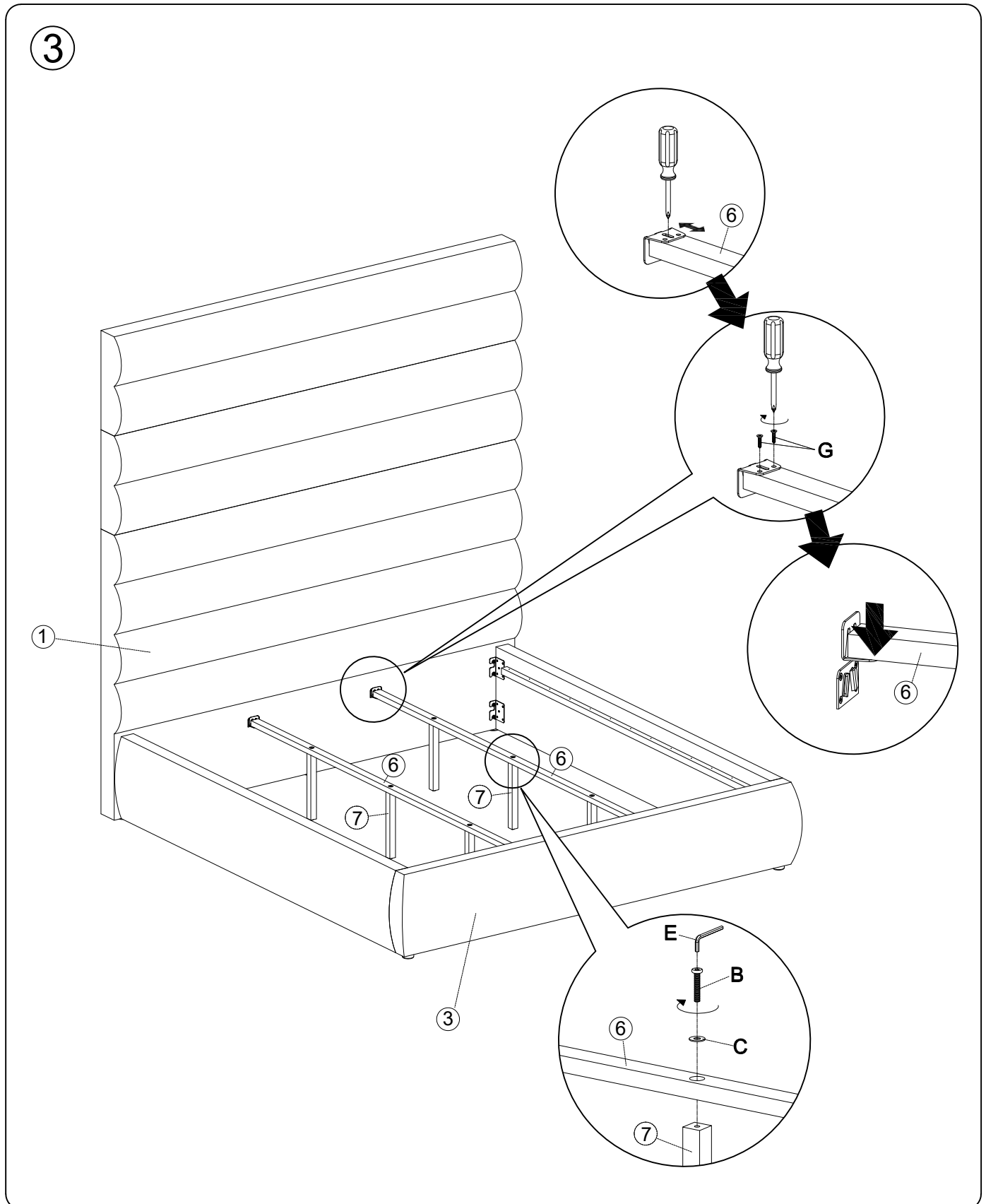
2



ASSEMBLY INSTRUCTION

B1255 / B1256 / B1257: 52in / 70in / 90in

King bed

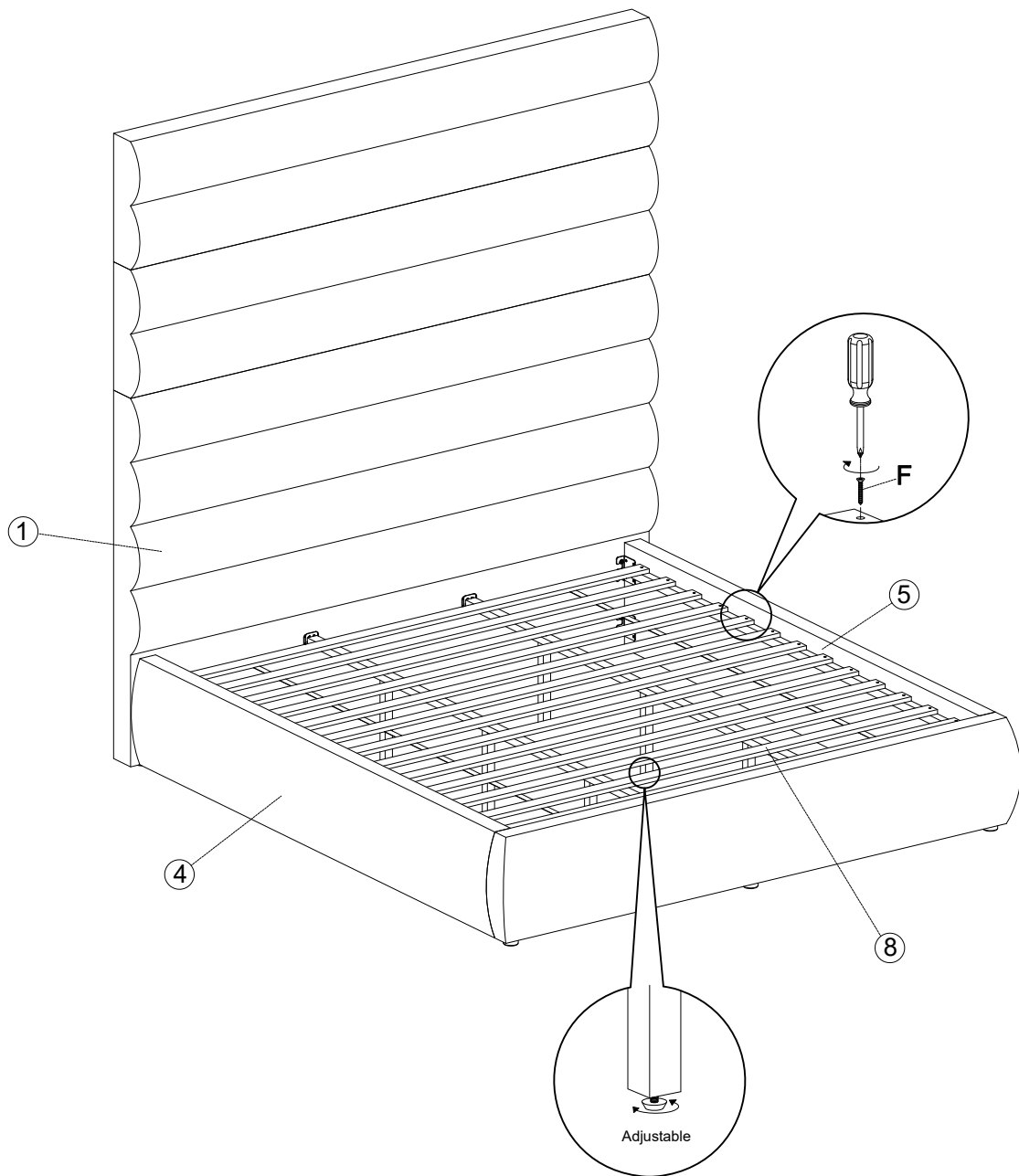


ASSEMBLY INSTRUCTION

B1255 / B1256 / B1257: 52in / 70in / 90in

King bed

4



NOTE: For questions about parts or assembly please email support@meridianfurnitureusa.com or call us at 718-7584455

www.MeridianFurnitureUSA.com | support@meridianfurnitureusa.com