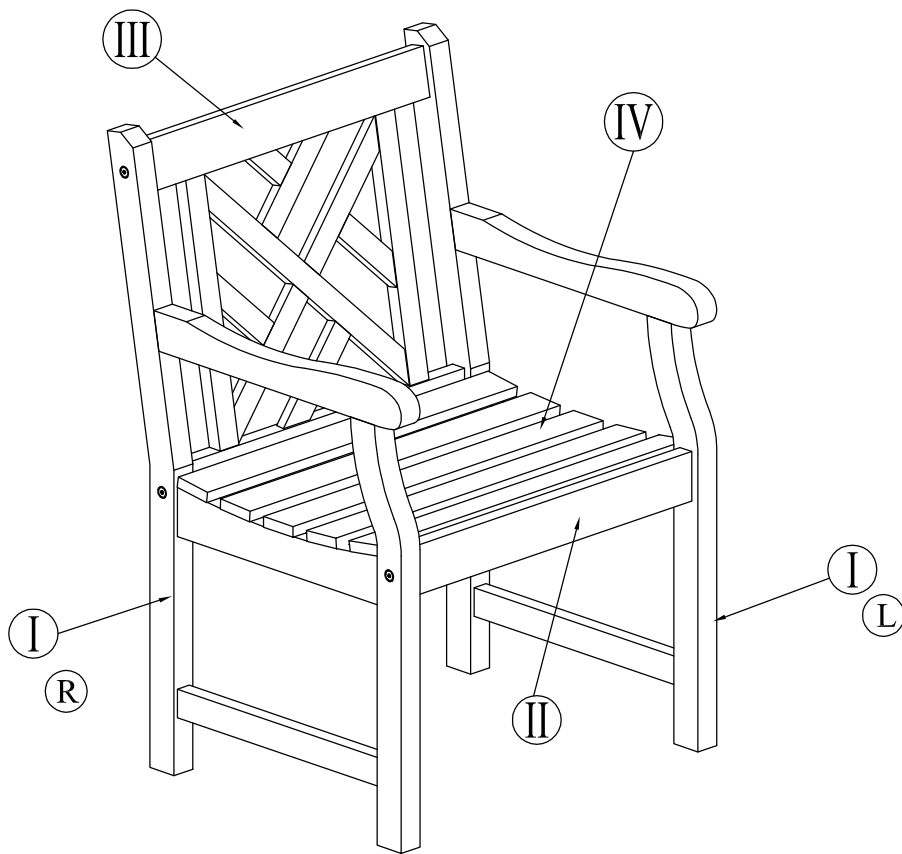
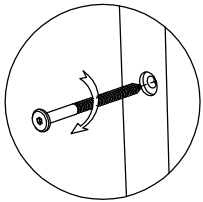


Maximum capacity : 110 kgs/242 Lbs

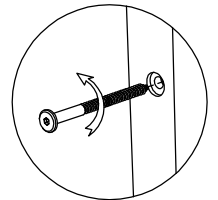




TIGHTEN



LOOSEN



NOTE: 50% TIGHTEN BEFORE FIXING ALL BOLTS & SCREWS

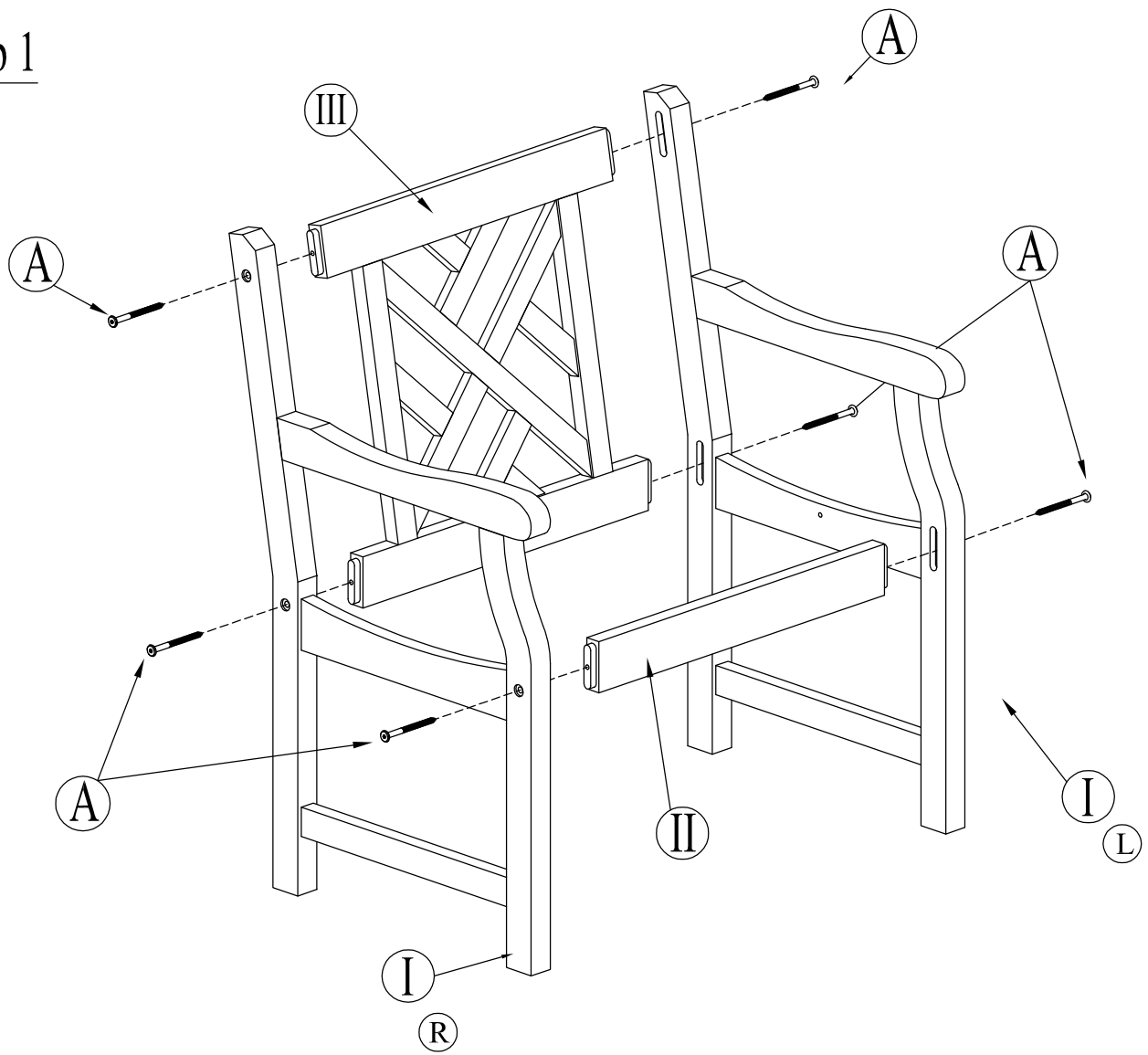
COMPONENTS LIST

<p>ⓐ</p> <p>Ⓡ Ⓛ</p> <p>Q'TY 2 (Right & Left)</p>	<p>ⓑ</p> <p>QTY 1</p>	<p>ⓓ</p> <p>QTY 1</p>
<p>ⓒ</p> <p>QTY 1</p>		

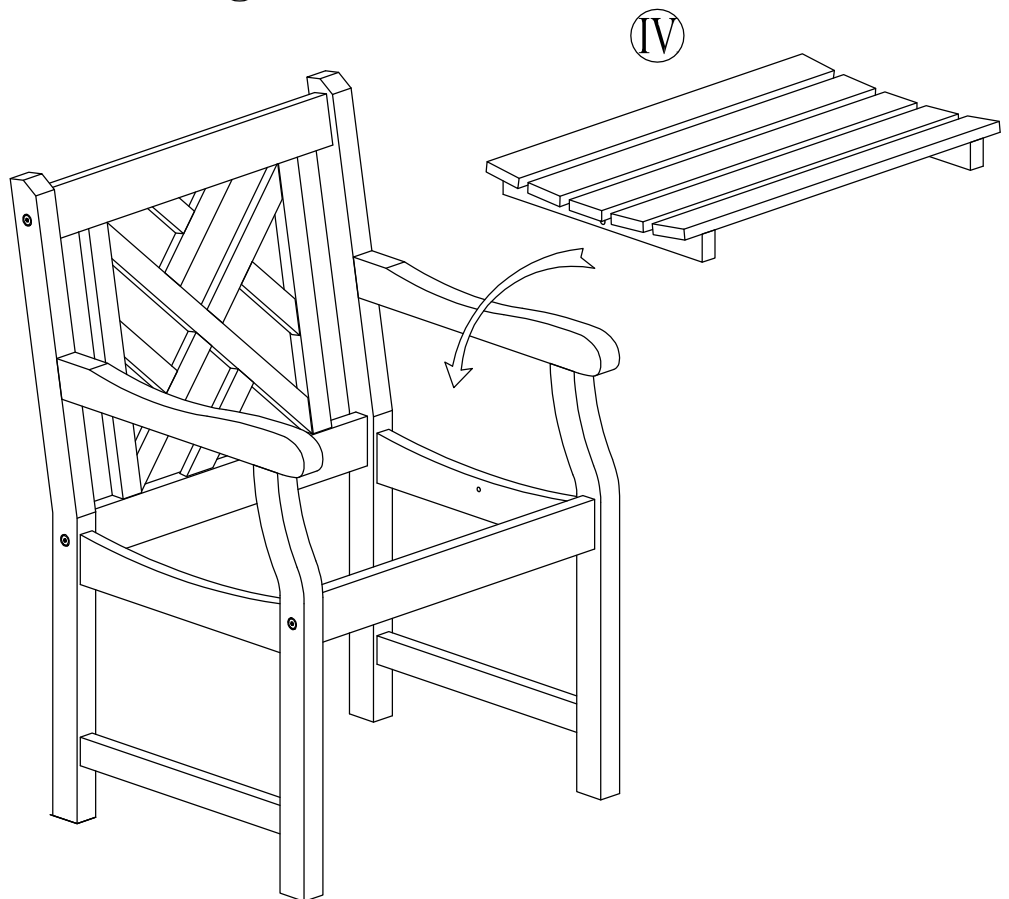
HARDWARE LIST

A		6	Screw 7 x 90	C		2	Allen Key
B		2	Screw 7x40				

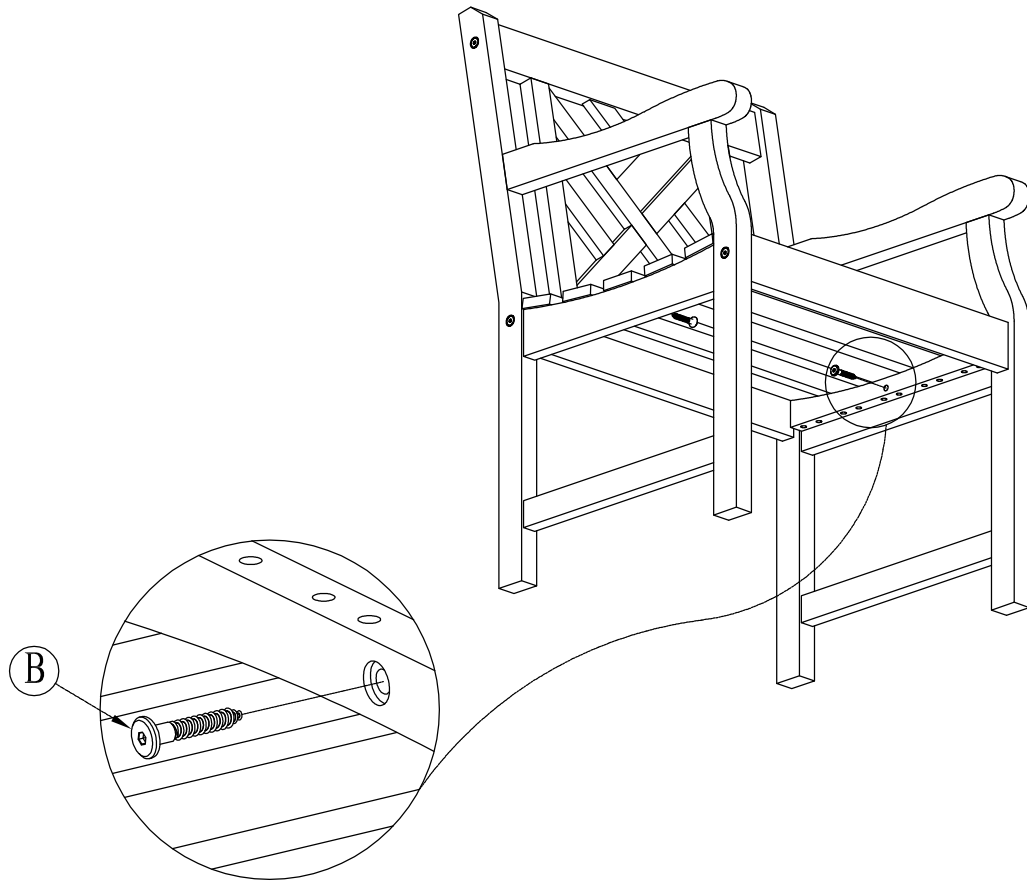
Step 1



Step 2



Step 3



Step 4

