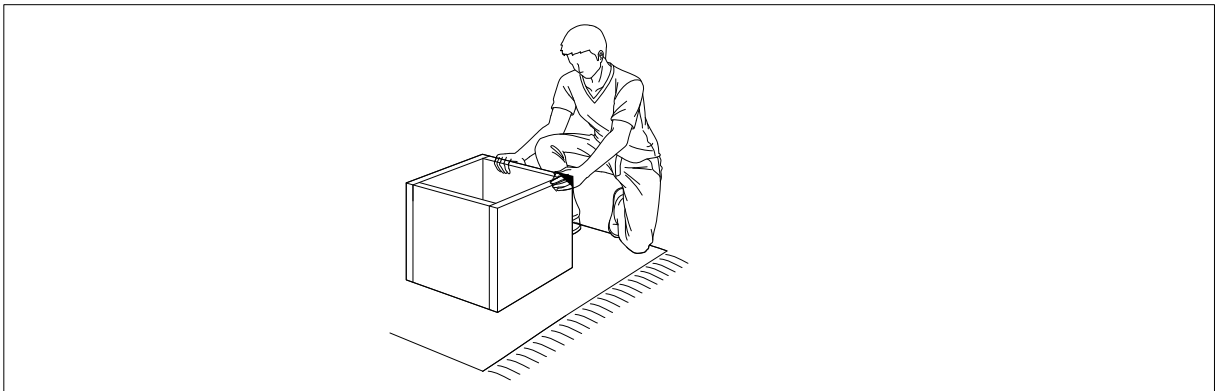
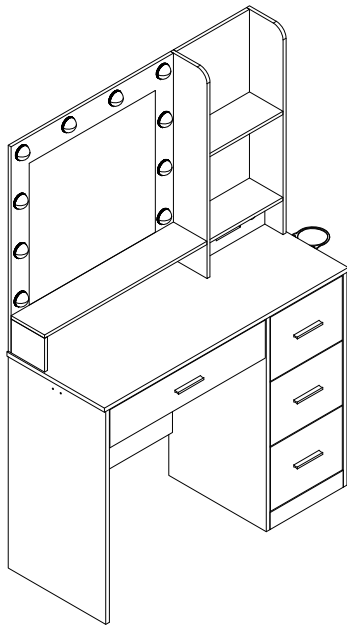
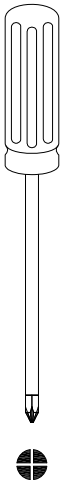
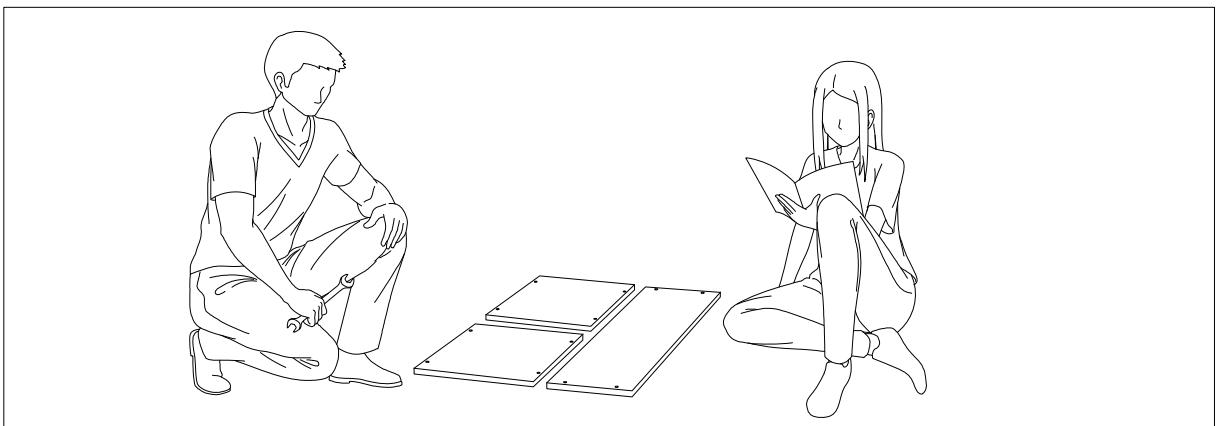


# WARNING!

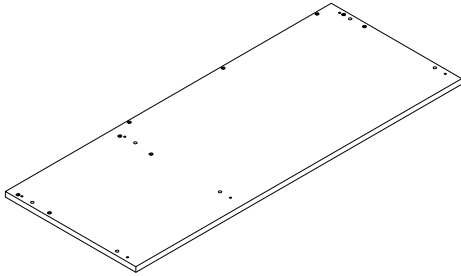


Assemble the furniture on empty carton, carpet, or rug to prevent scratches or damage.

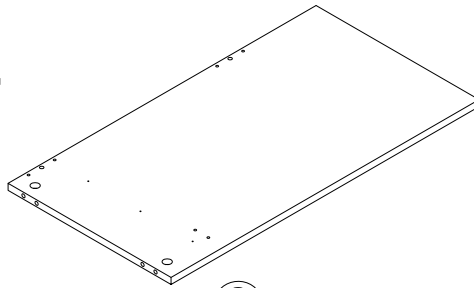


This furniture requires 2 people to assembly.  
Make sure no parts are missing or damaged before assembly.

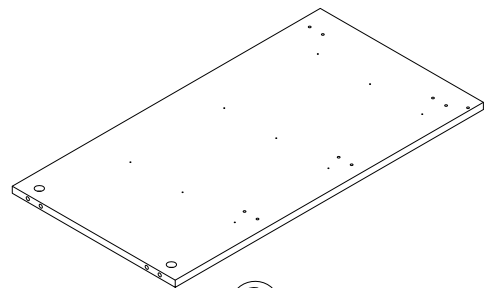
Not actual size



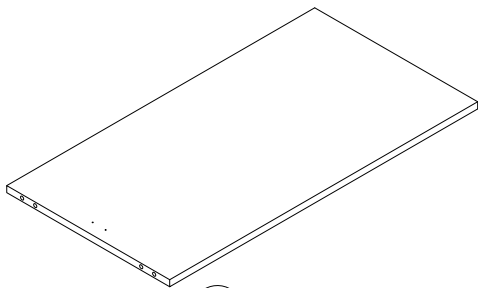
① X1



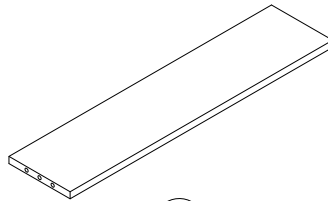
② X1



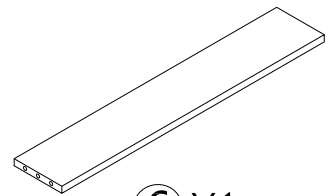
③ X1



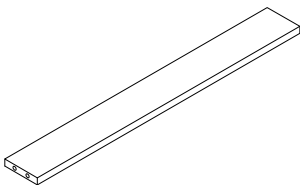
④ X1



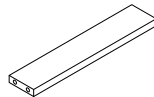
⑤ X1



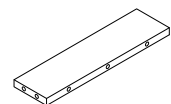
⑥ X1



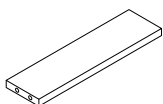
⑦ X1



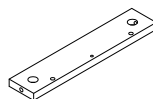
⑧ X2



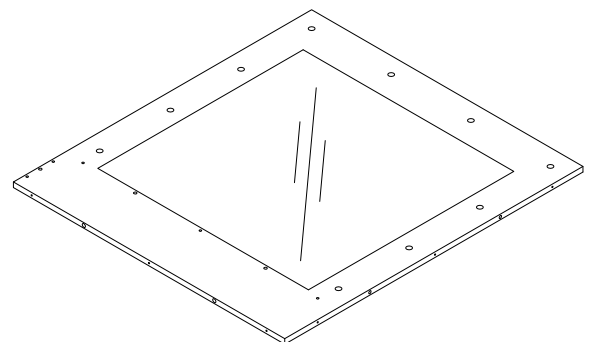
⑨ X1



⑩ X1



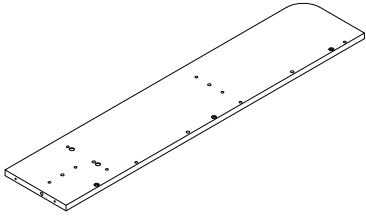
⑪ X1



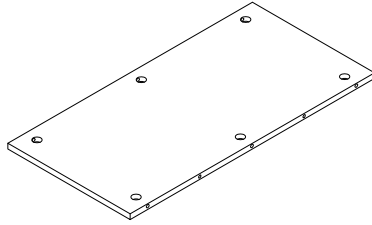
⑫ X1

# BOARD IDENTIFICATION

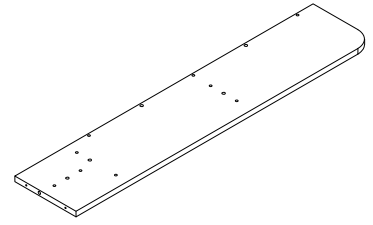
Not actual size



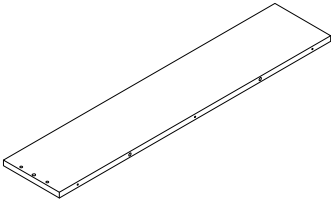
⑬ X1



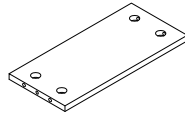
⑭ X1



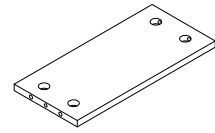
⑮ X1



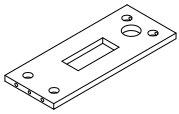
⑯ X1



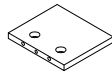
⑰ X1



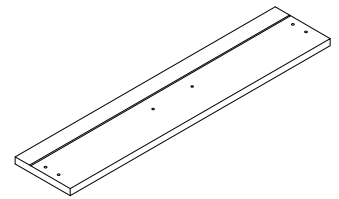
⑱ X1



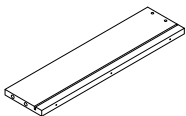
⑲ X1



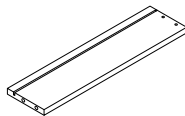
⑳ X1



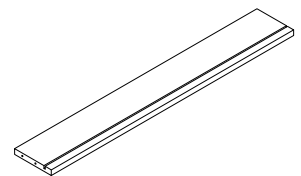
㉑ X1



㉒ X1

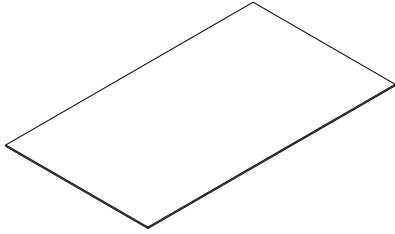


㉓ X1

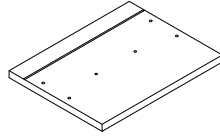


㉔ X1

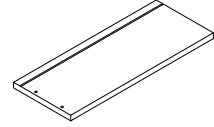
Not actual size



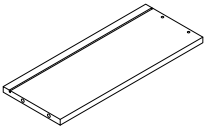
②⑤ X1



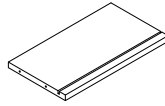
②⑥ X3



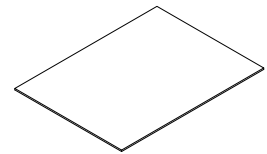
②⑦ X3



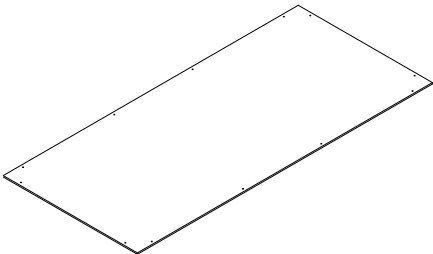
②⑧ X3



②⑨ X3



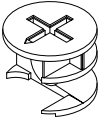
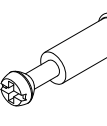
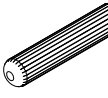
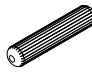
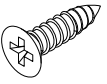
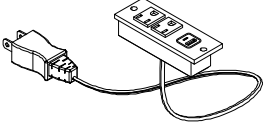
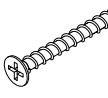
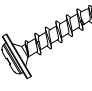
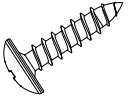
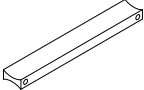
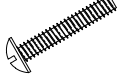

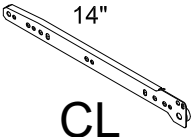
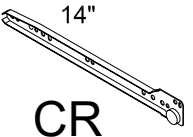
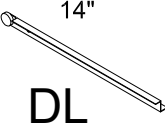
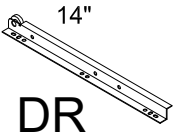
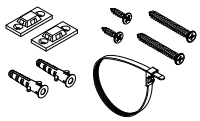
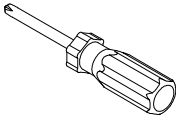
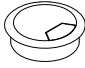
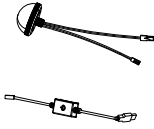
③⑩ X3



③① X1

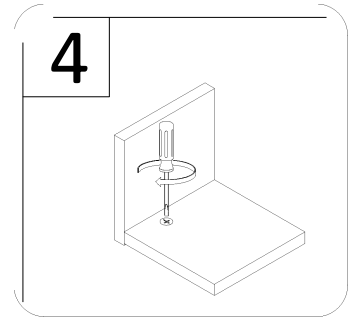
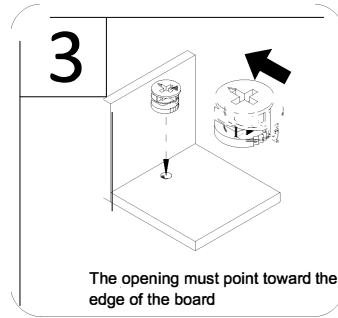
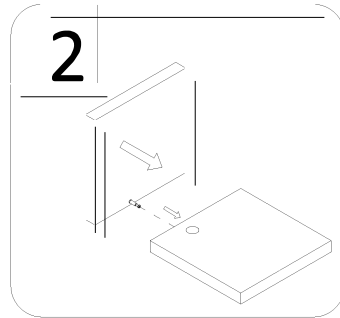
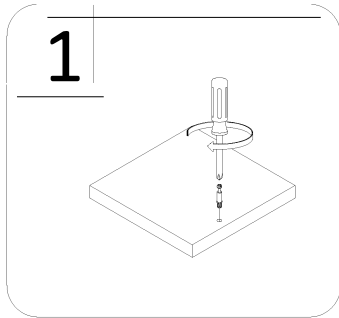


# HARDWARE PART LIST

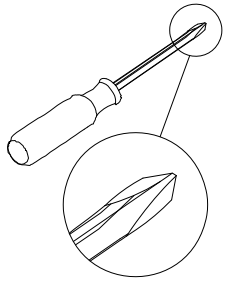
A	X73+3	B	X73+3	C	X12+1	D	X22+2	
								
Ø15*9.5		Ø6x34		Ø8*30		Ø6*30		
E	X50+3	F	X1	G	X35+2	H	X12+1	
								
Ø6.5x12				Ø4*35		Ø3*14		
I	X2	J	X4	K	X8	L	X1	
								
Ø4x15		106*16*8		5/32"x18		109*99*38.5		
M	X4			N	X1SET			
								
CL		CR		DL		DR		
L=350								
O	X1	P	X1	Q	X10+2			
								
		Ø35						

## Cam Lock Fastening System

Insert the cam bolt into the hole first, then insert the cam lock and lock it.



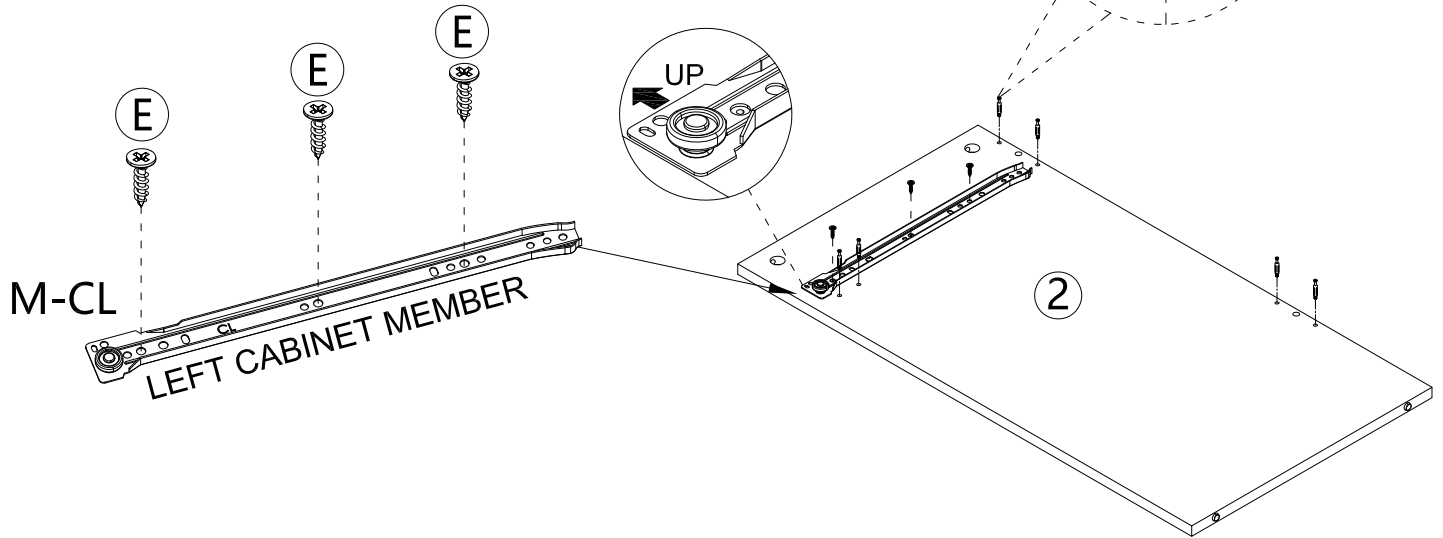
# STEP 1



(B)	X6
Ø6x34	

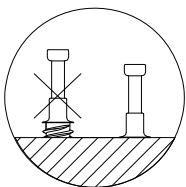
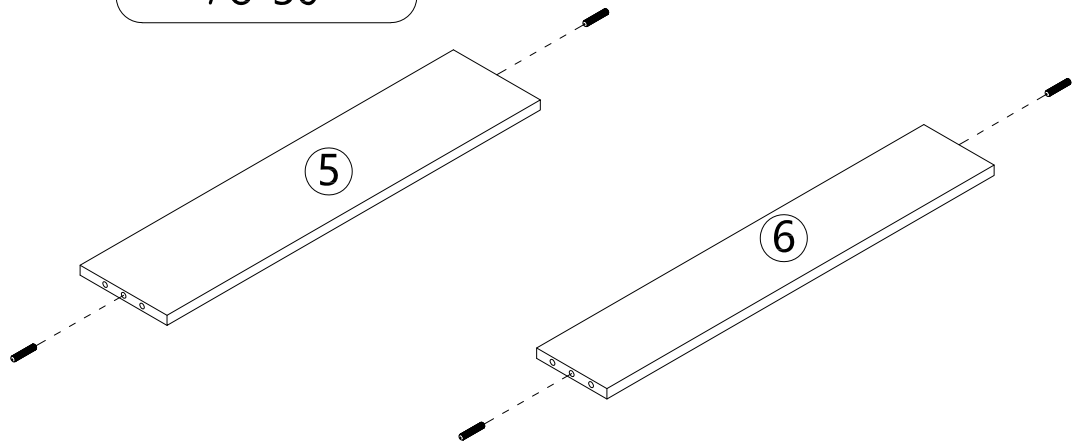
(E)	X3
Ø6.5x12	

(M)	X1
14"	
CL	
L=350	

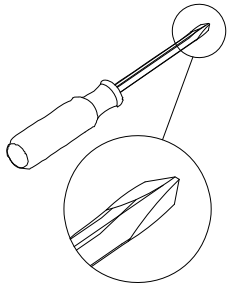


# STEP 2

(C)	X4
Ø8*30	



# STEP 3

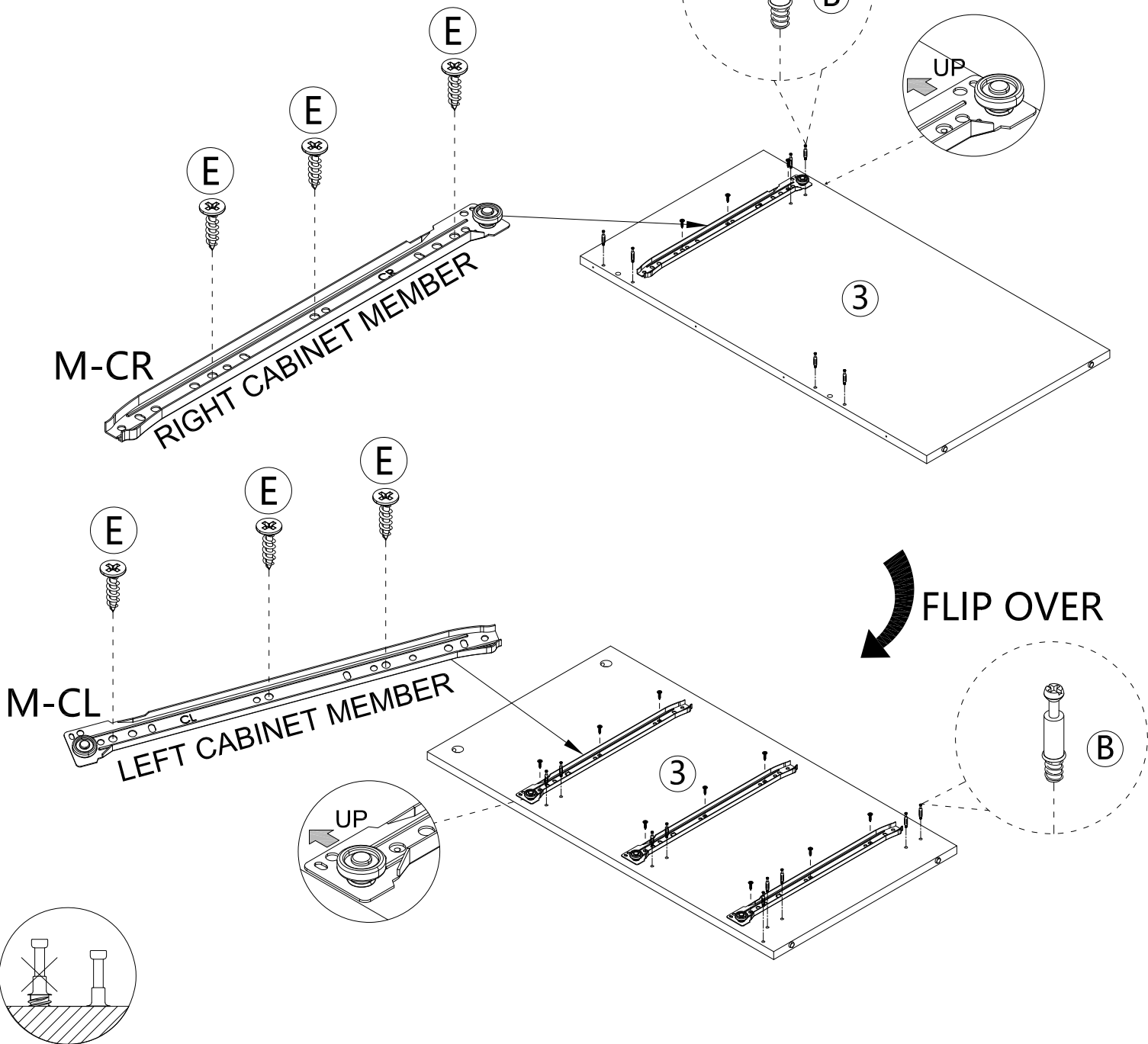


(B)	X15
Ø6x34	

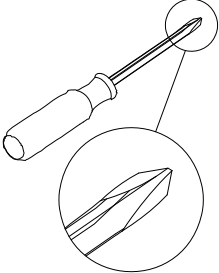
(E)	X12
Ø6.5x12	


(M)	X3
14"	
CL	
L=350	

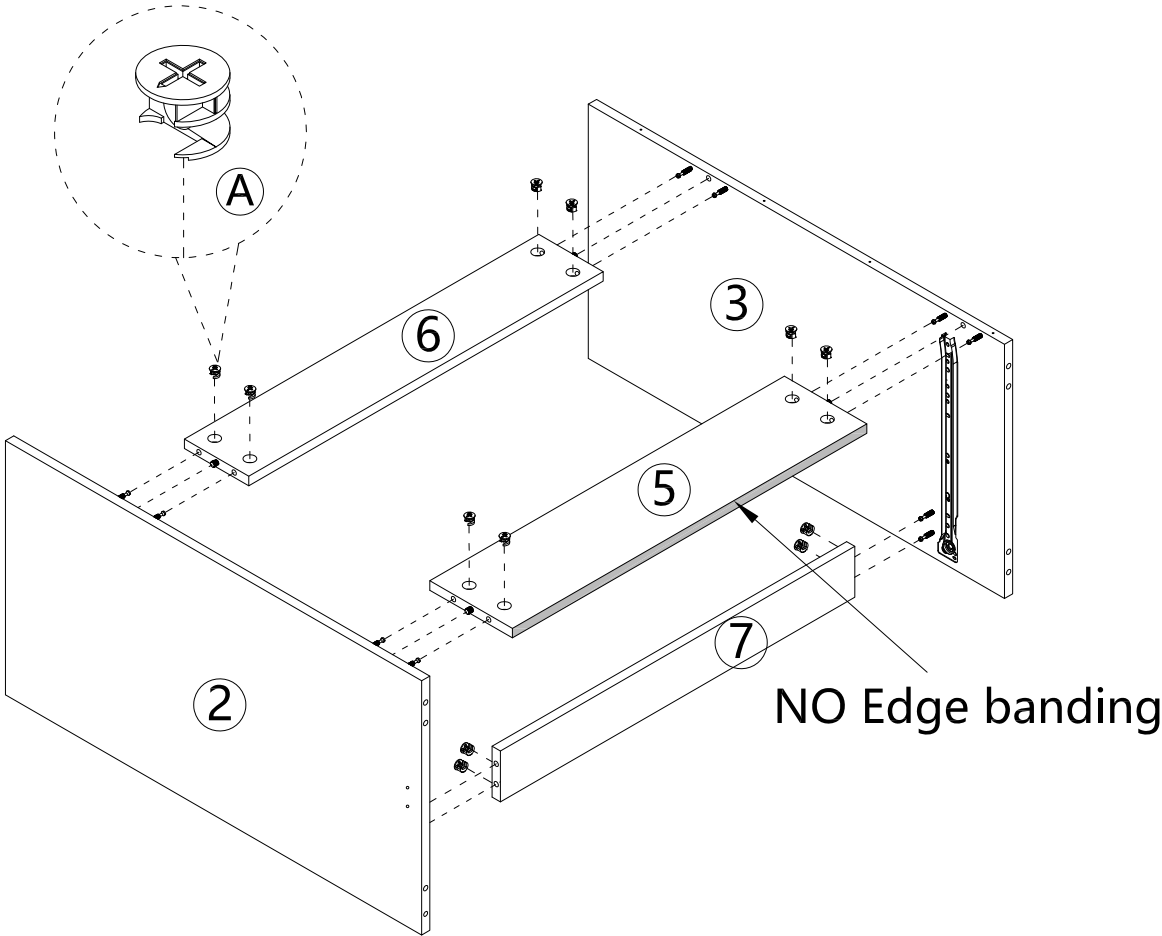
(M)	X1
14"	
CR	
L=350	



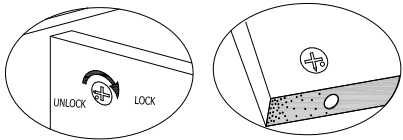
# STEP 4



(A)	X12
	
Ø15*9.5	

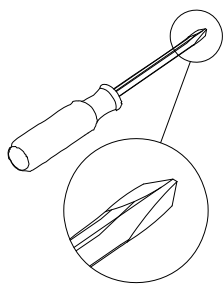


Insert the cam bolt into the hole first, then insert the cam lock and lock it.



Proper orientation of CAM LOCK

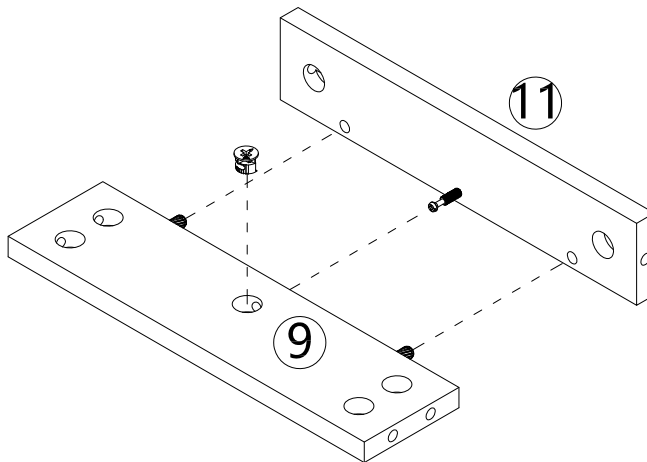
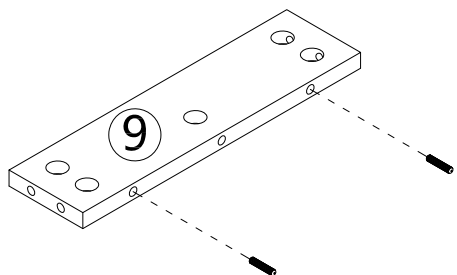
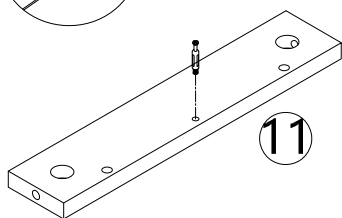
# STEP 5



(A)	X1
$\phi 15 \times 9.5$	

(B)	X1
$\phi 6 \times 34$	

(C)	X2
$\phi 8 \times 30$	

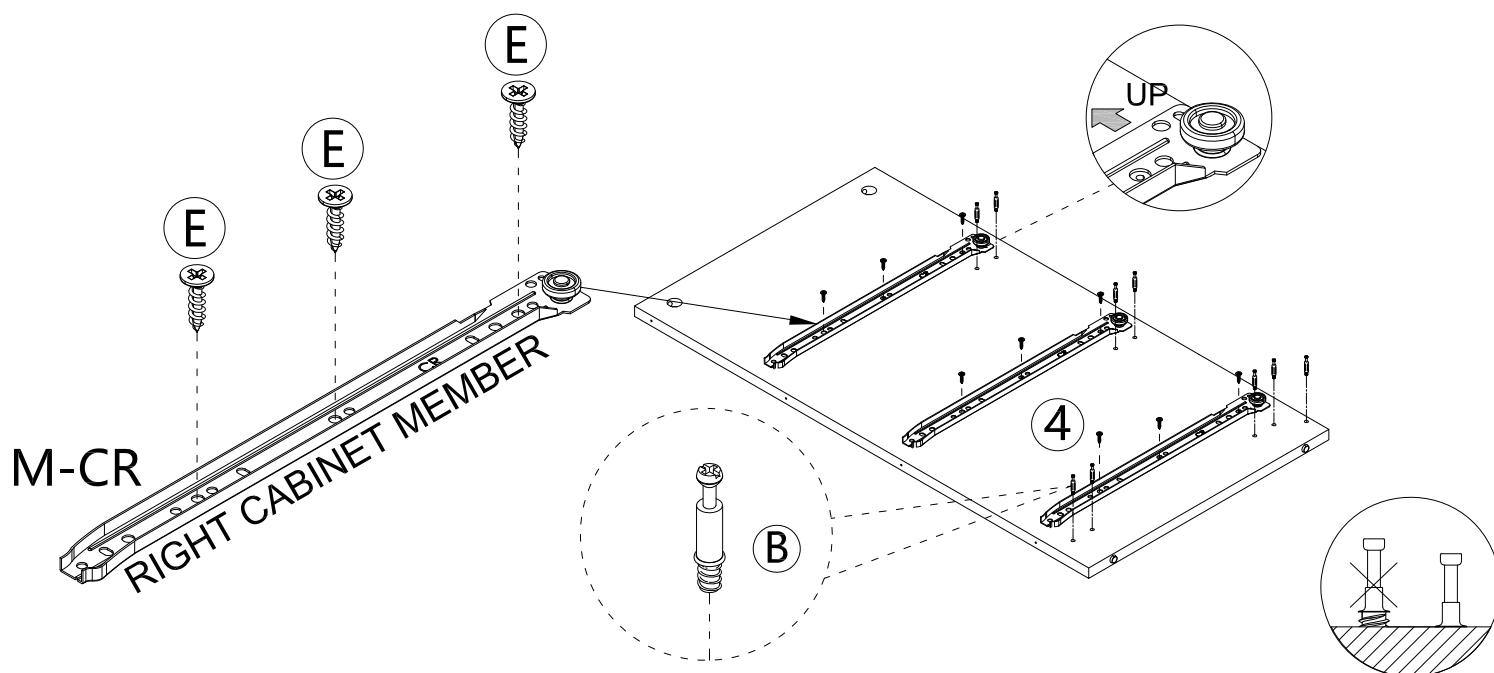


# STEP 6

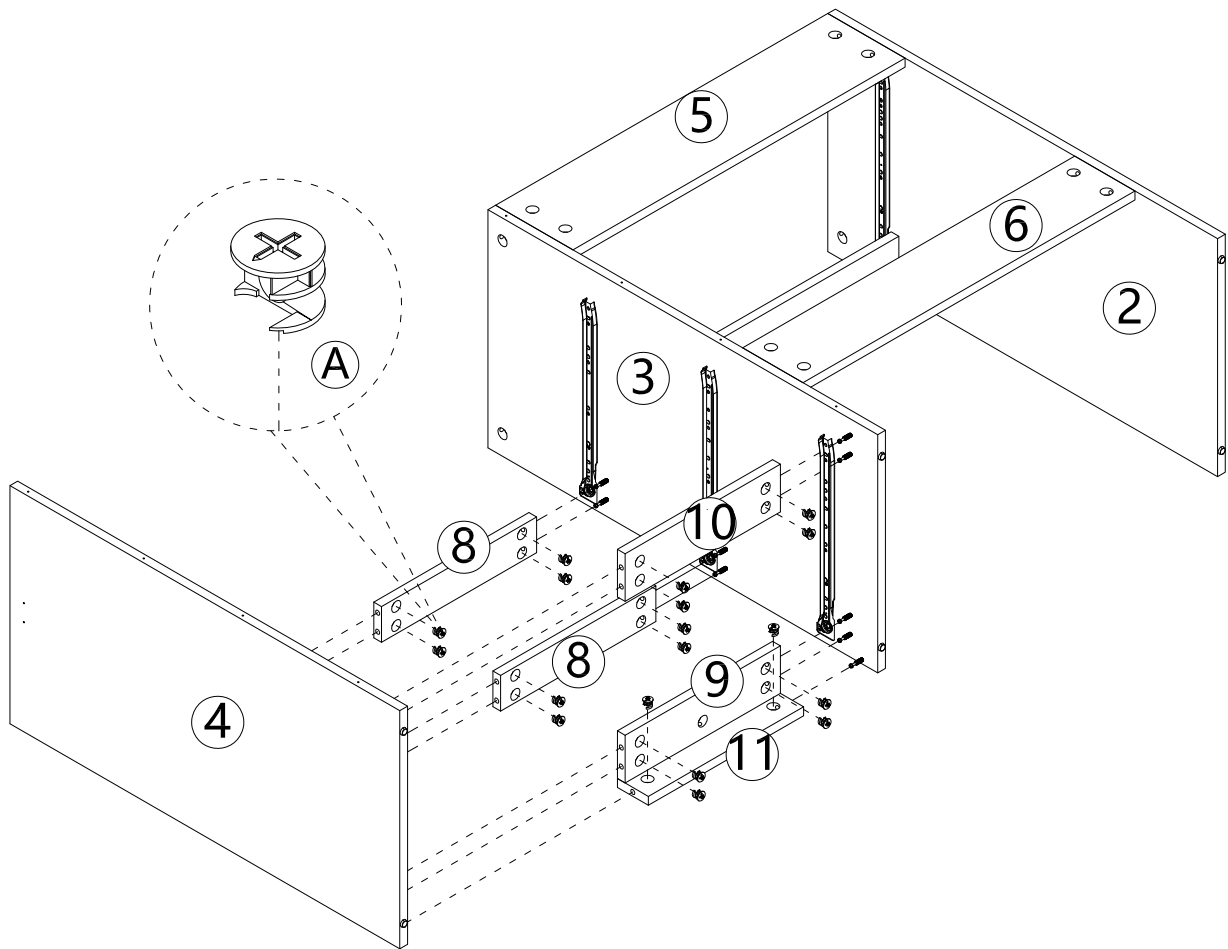
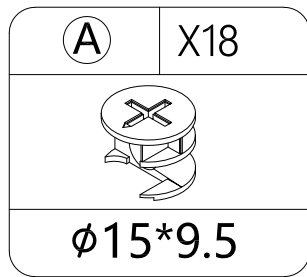
(B)	X9
$\phi 6 \times 35$	

(E)	X9
$\phi 6.5 \times 12$	

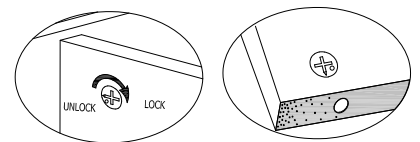
(M)	X3
$L=350$	



# STEP 7

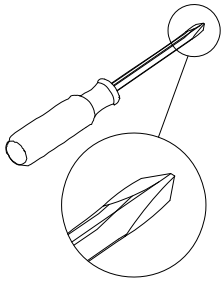


Insert the cam bolt into the hole first, then insert the cam lock and lock it.



Proper orientation of CAM LOCK

# STEP 8

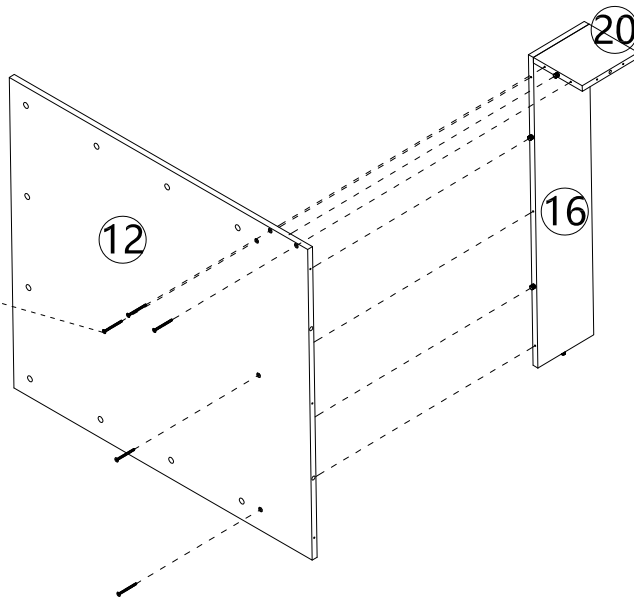
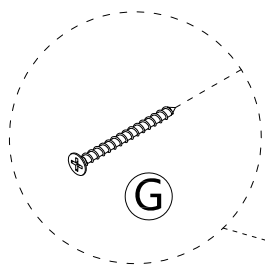
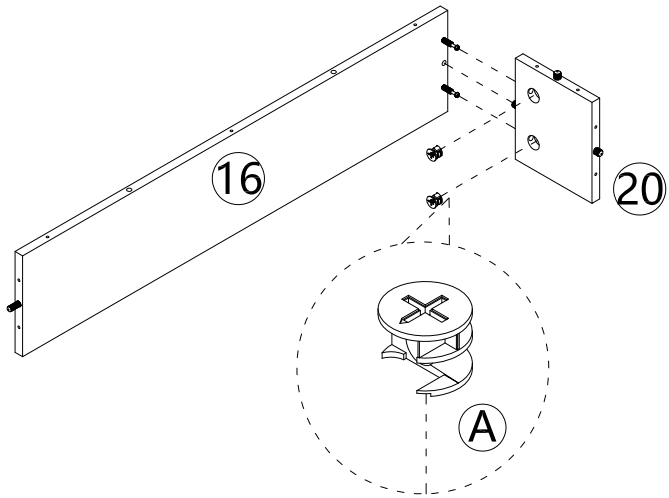
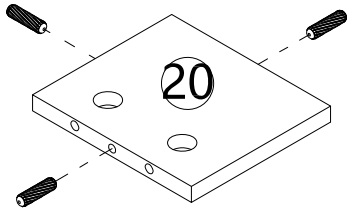
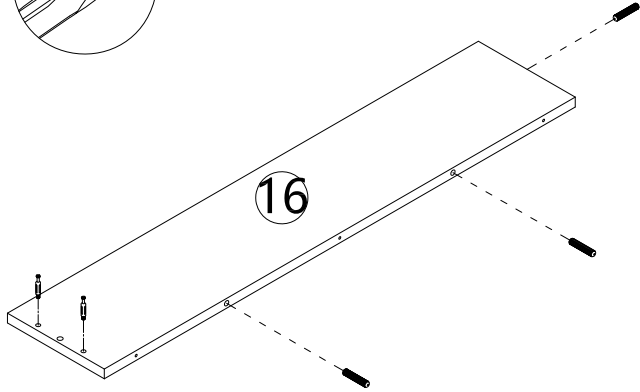


(A)	X2
$\phi 15 * 9.5$	

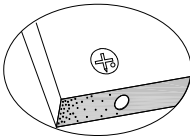
(B)	X2
$\phi 6 * 34$	

(D)	X6
$\phi 6 * 30$	

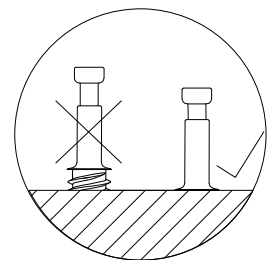
(G)	X5
$\phi 4 * 35$	



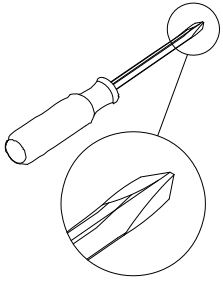
Insert the cam bolt into the hole first, then insert the cam lock and lock it.

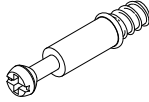


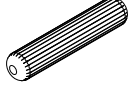
Proper orientation of CAM LOCK




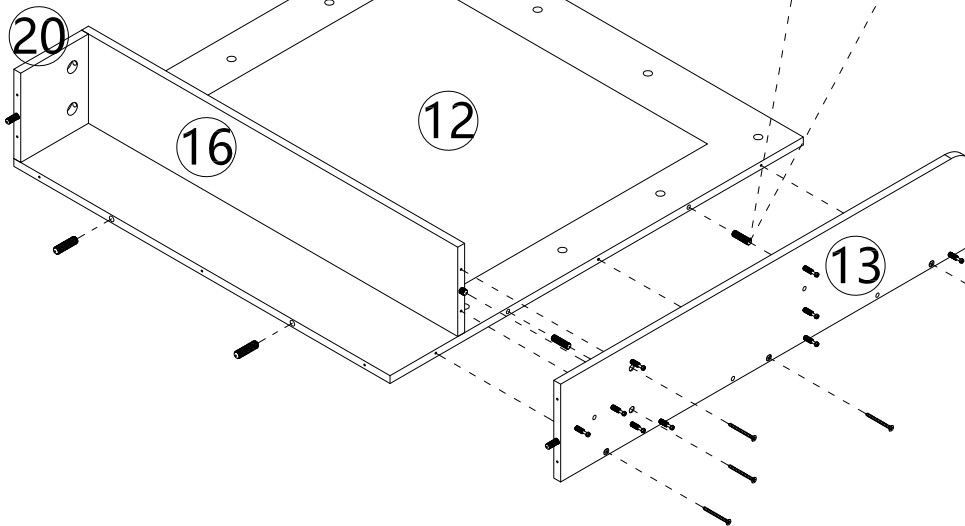
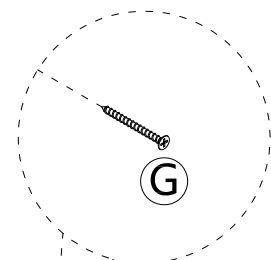
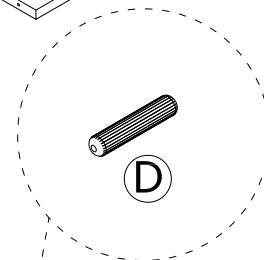
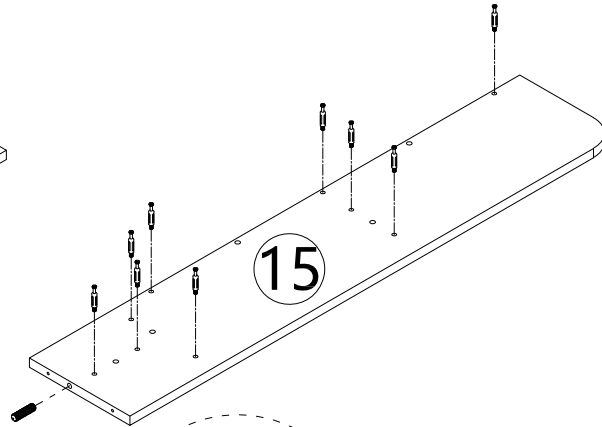
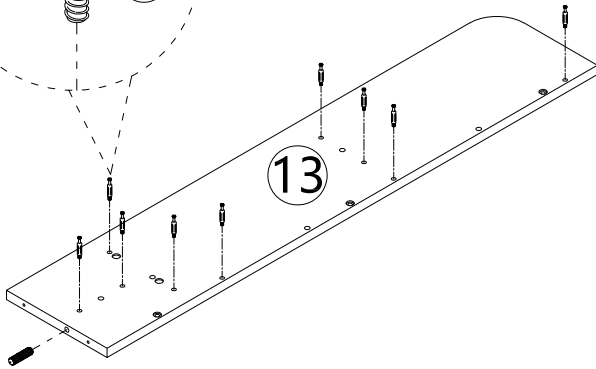
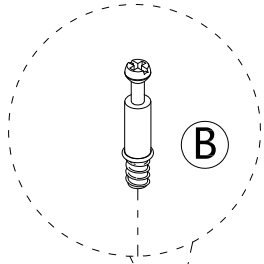
# STEP 9



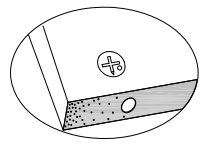
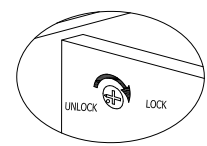
<b>(B)</b>	X18
	
Ø6x34	

<b>(D)</b>	X6
	
ø6*30	

<b>(G)</b>	X5
	
ø4*35	

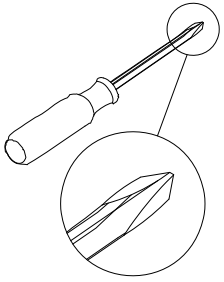



Insert the cam bolt into the hole first, then insert the cam lock and lock it.




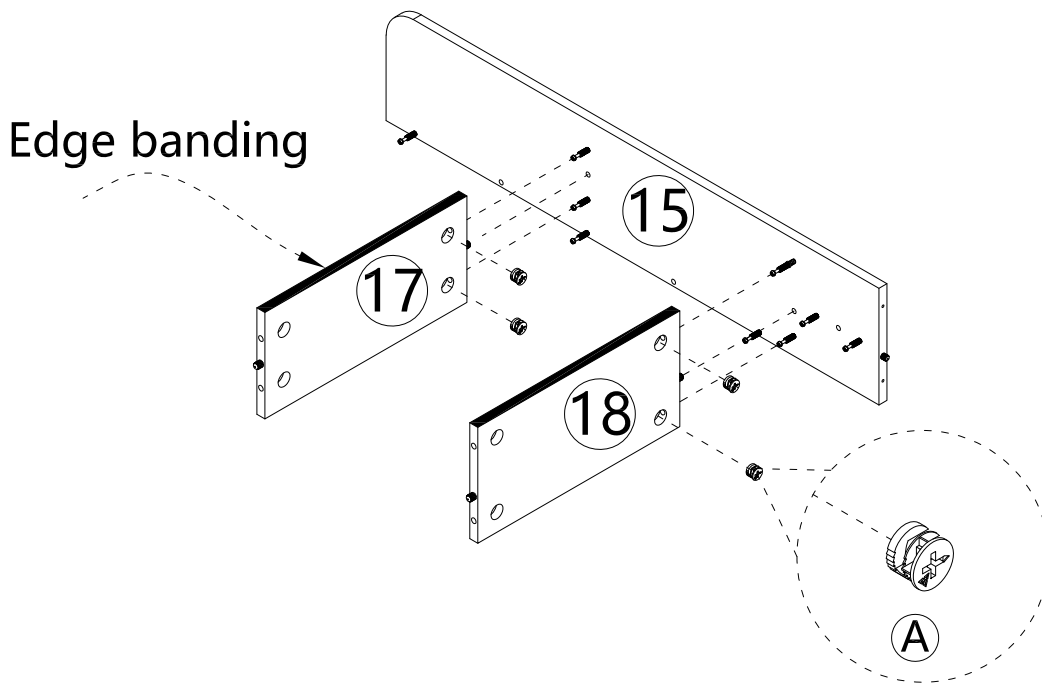
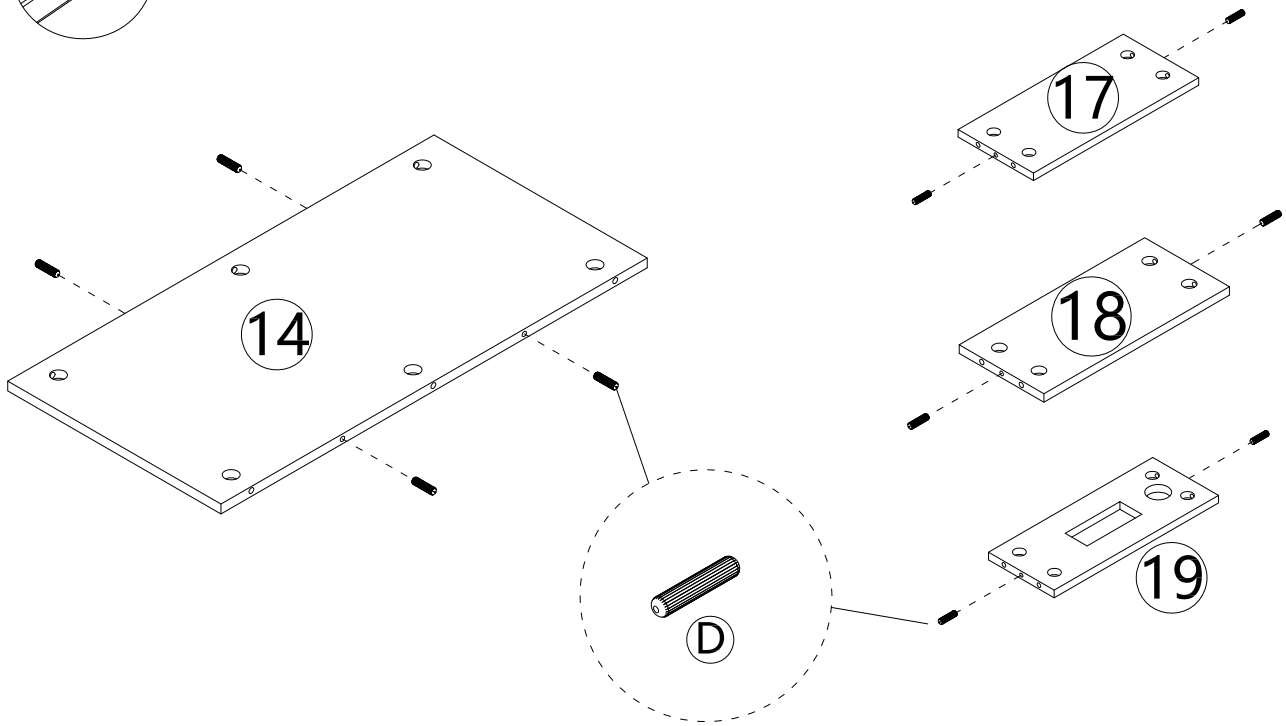
Proper orientation of CAM LOCK

# STEP 10

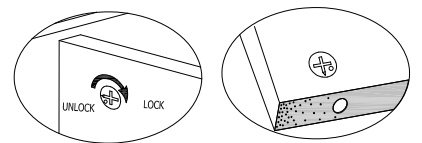


(A)	X4
	
Ø15*9.5	

(D)	X10
	
Ø6*30	

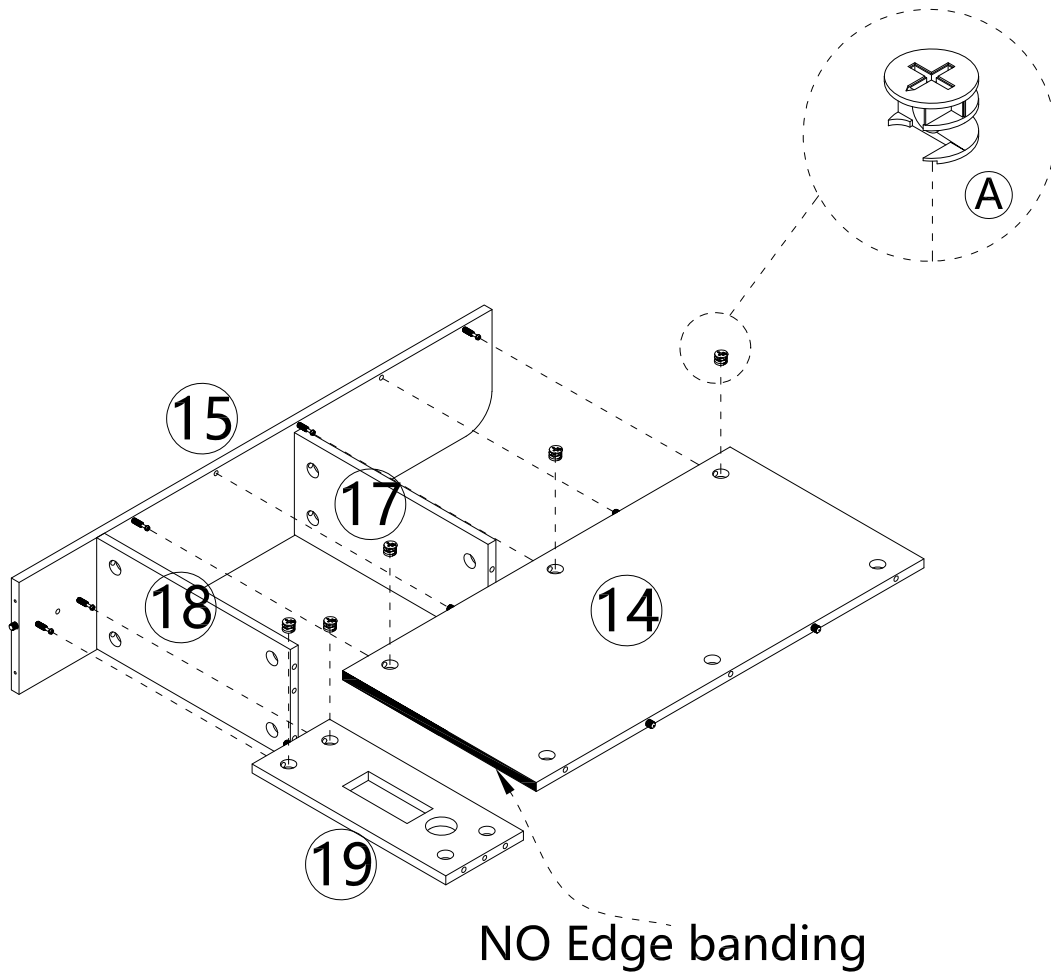
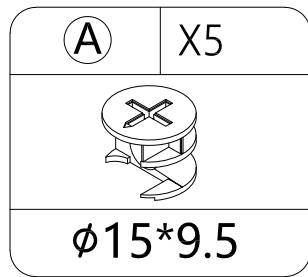
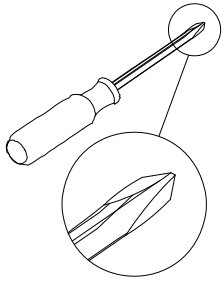


Insert the cam bolt into the hole first, then insert the cam lock and lock it.

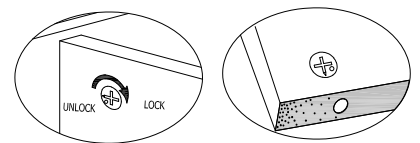


Proper orientation of CAM LOCK

# STEP 11

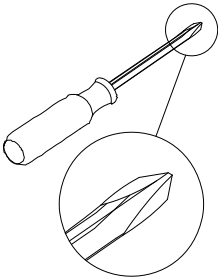



Insert the cam bolt into the hole first, then insert the cam lock and lock it.

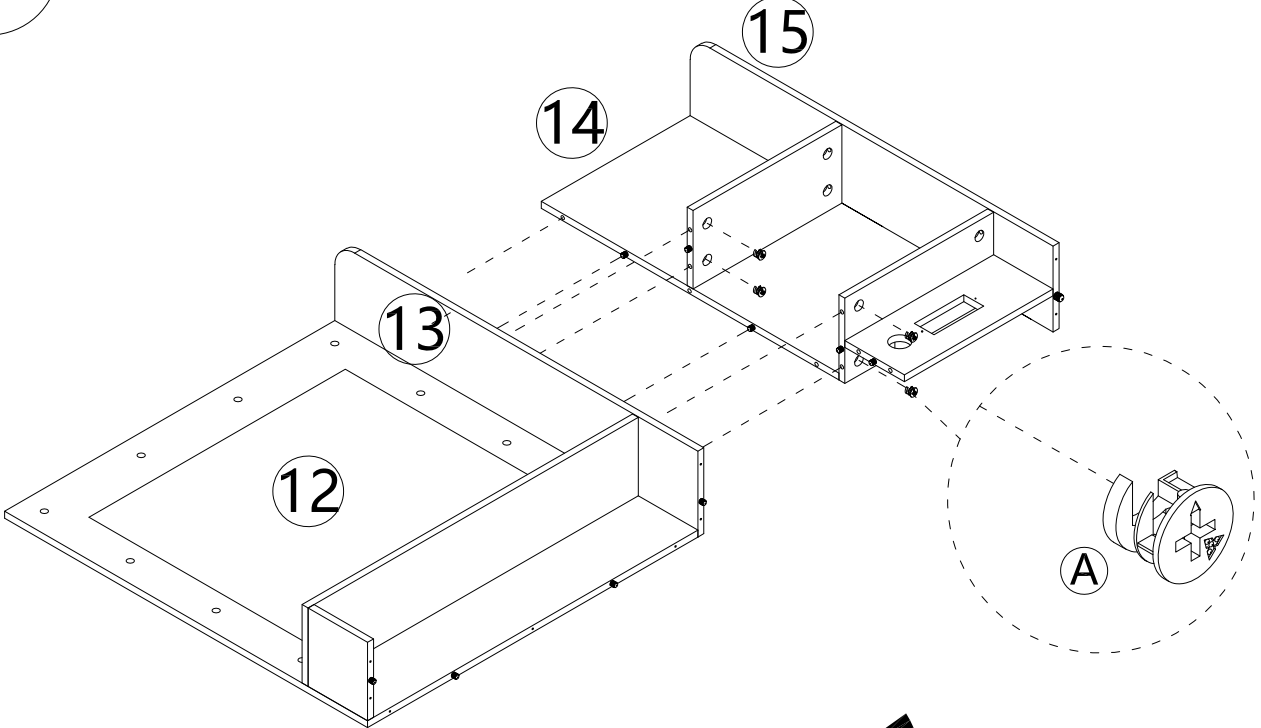


Proper orientation of CAM LOCK

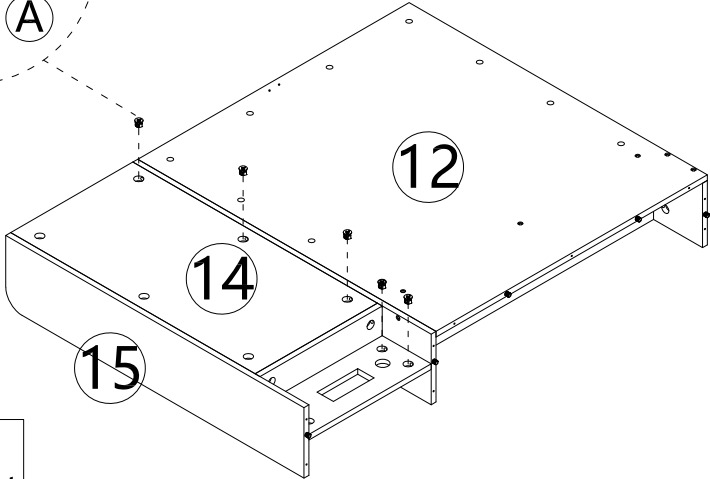
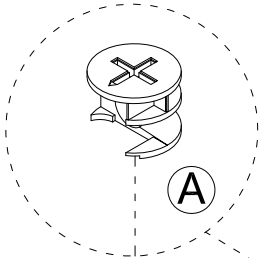
# STEP 12



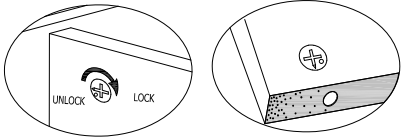
(A)	X9
	
Ø15*9.5	



 FLIP OVER

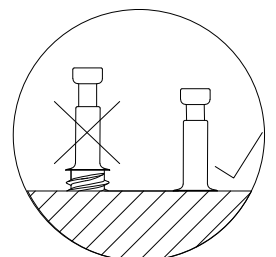
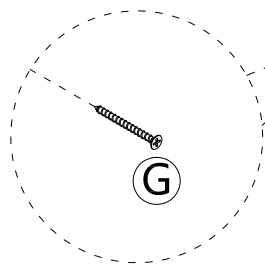
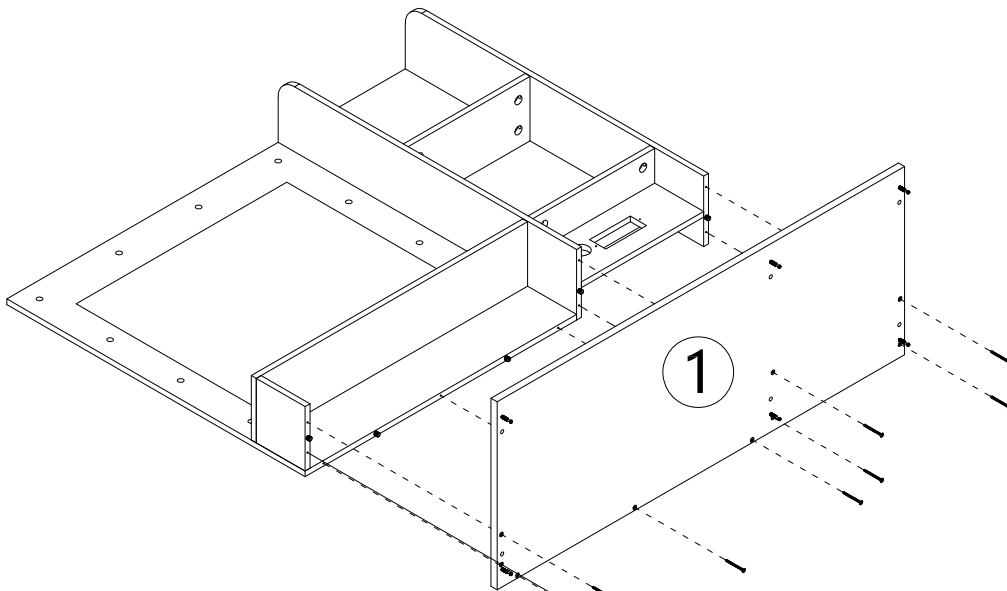
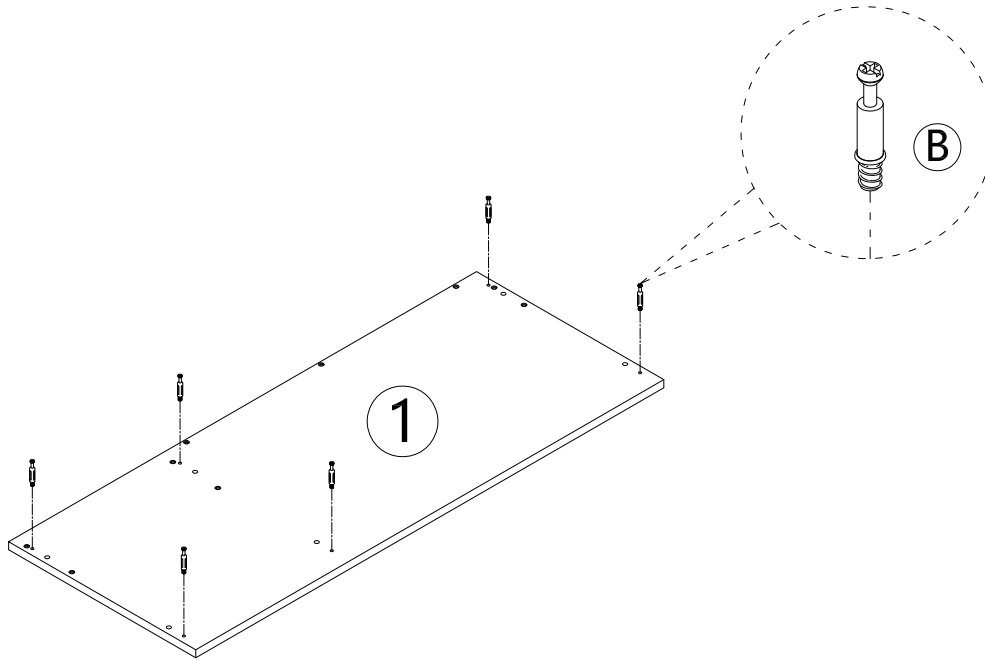
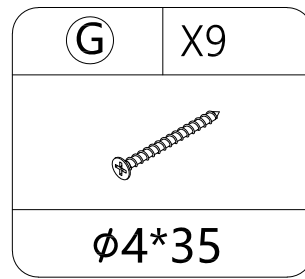
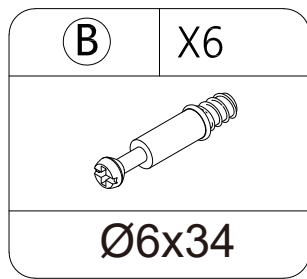
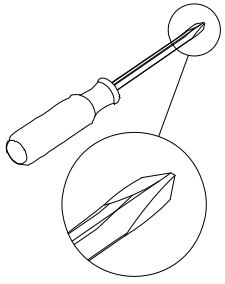


Insert the cam bolt into the hole first, then insert the cam lock and lock it.

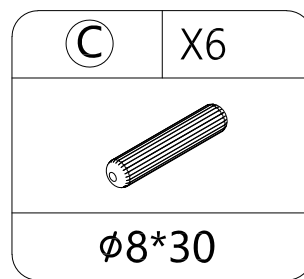
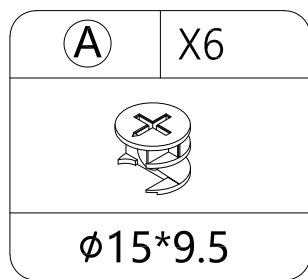
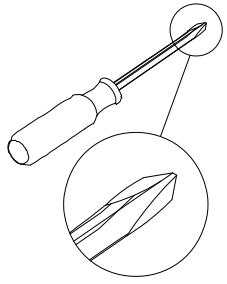


Proper orientation of CAM LOCK

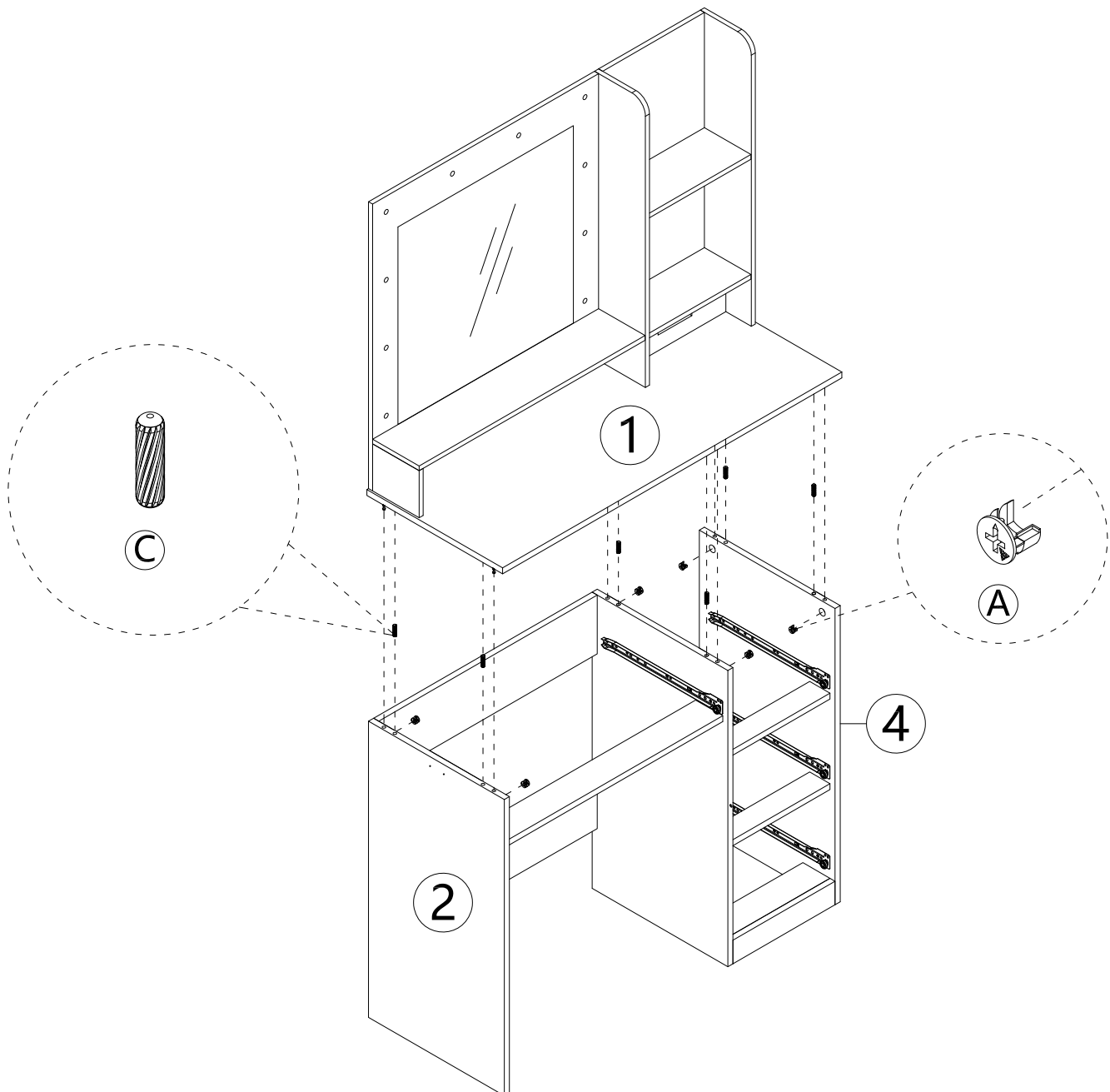
# STEP 13



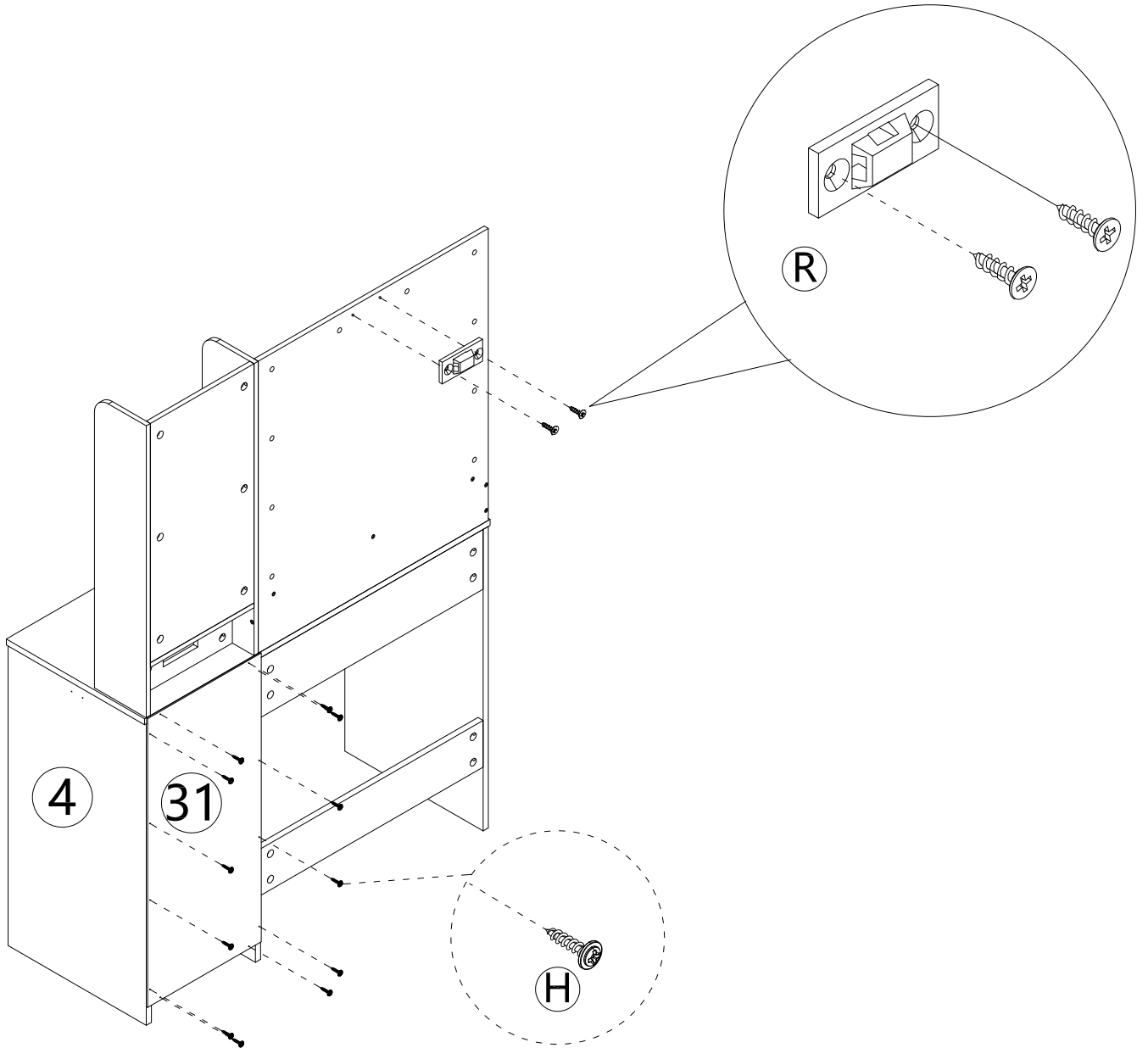
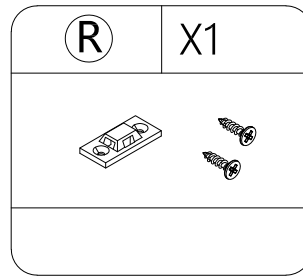
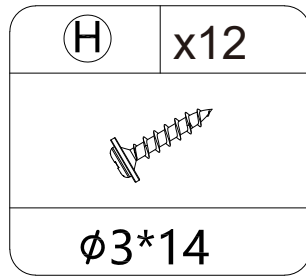
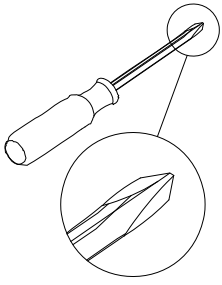
# STEP 14



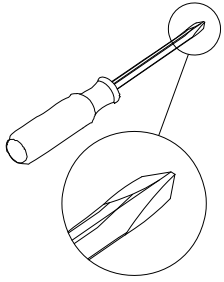
THIS STEP REQUIRES 2 PEOPLE



# STEP 15



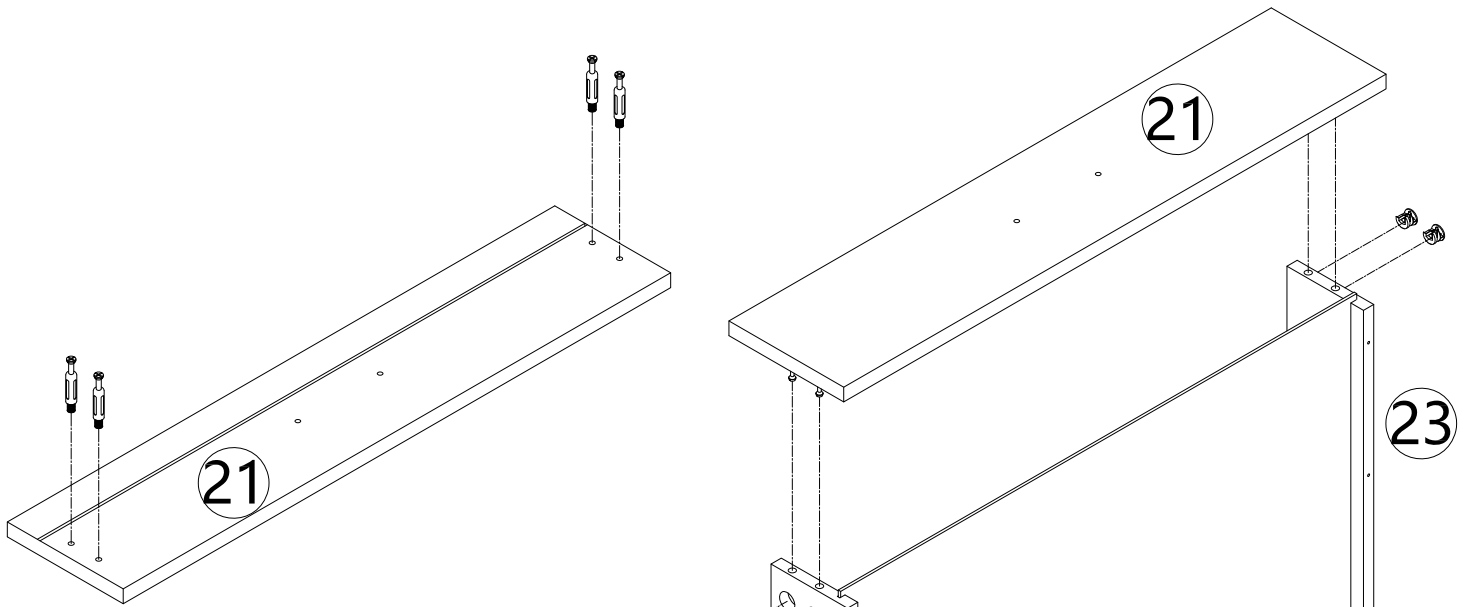
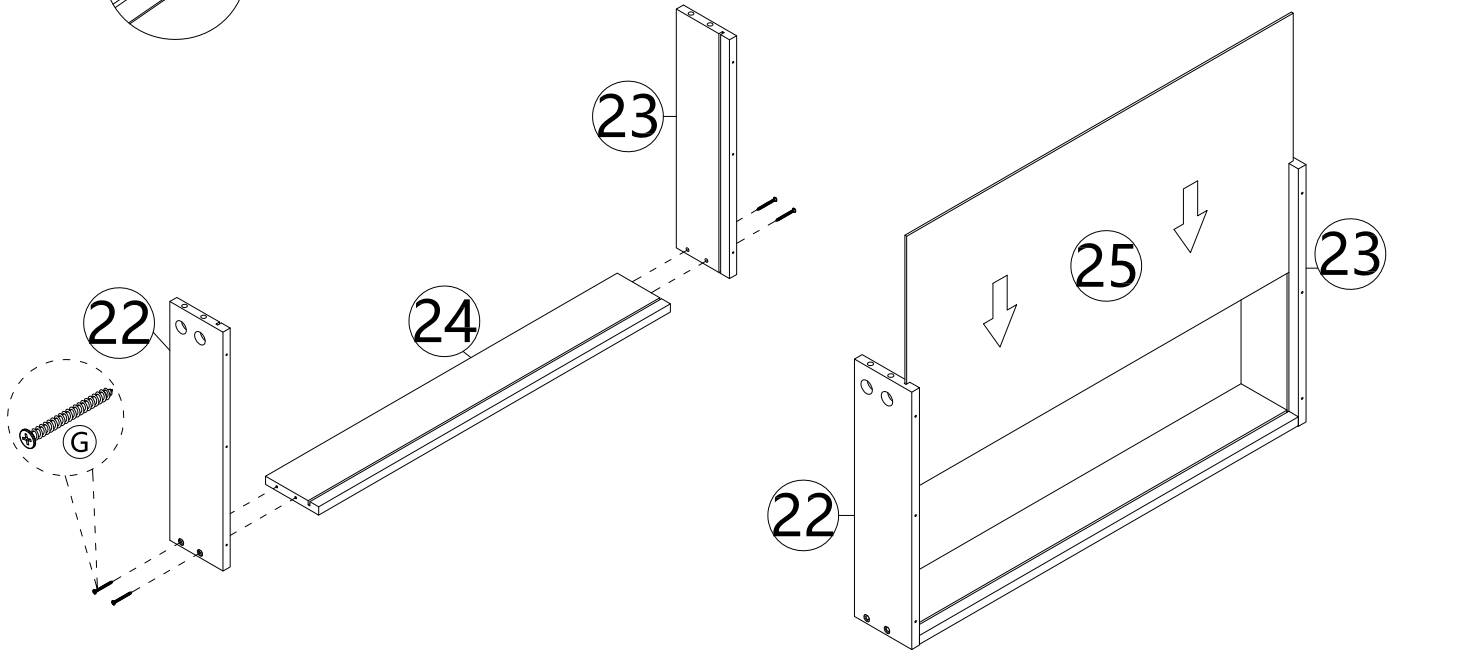
# STEP 16



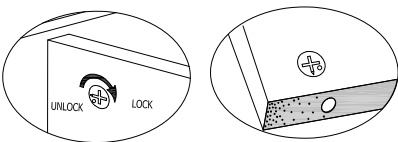
(A)	X4
Ø15*9.5	

(B)	X4
Ø6x34	

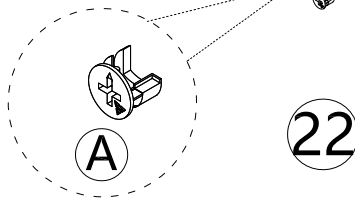
(G)	X4
Ø4*35	



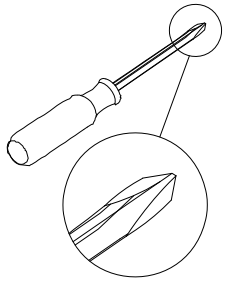
Insert the cam bolt into the hole first, then insert the cam lock and lock it.

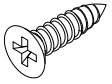


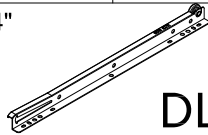
Proper orientation of CAM LOCK

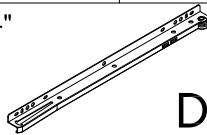


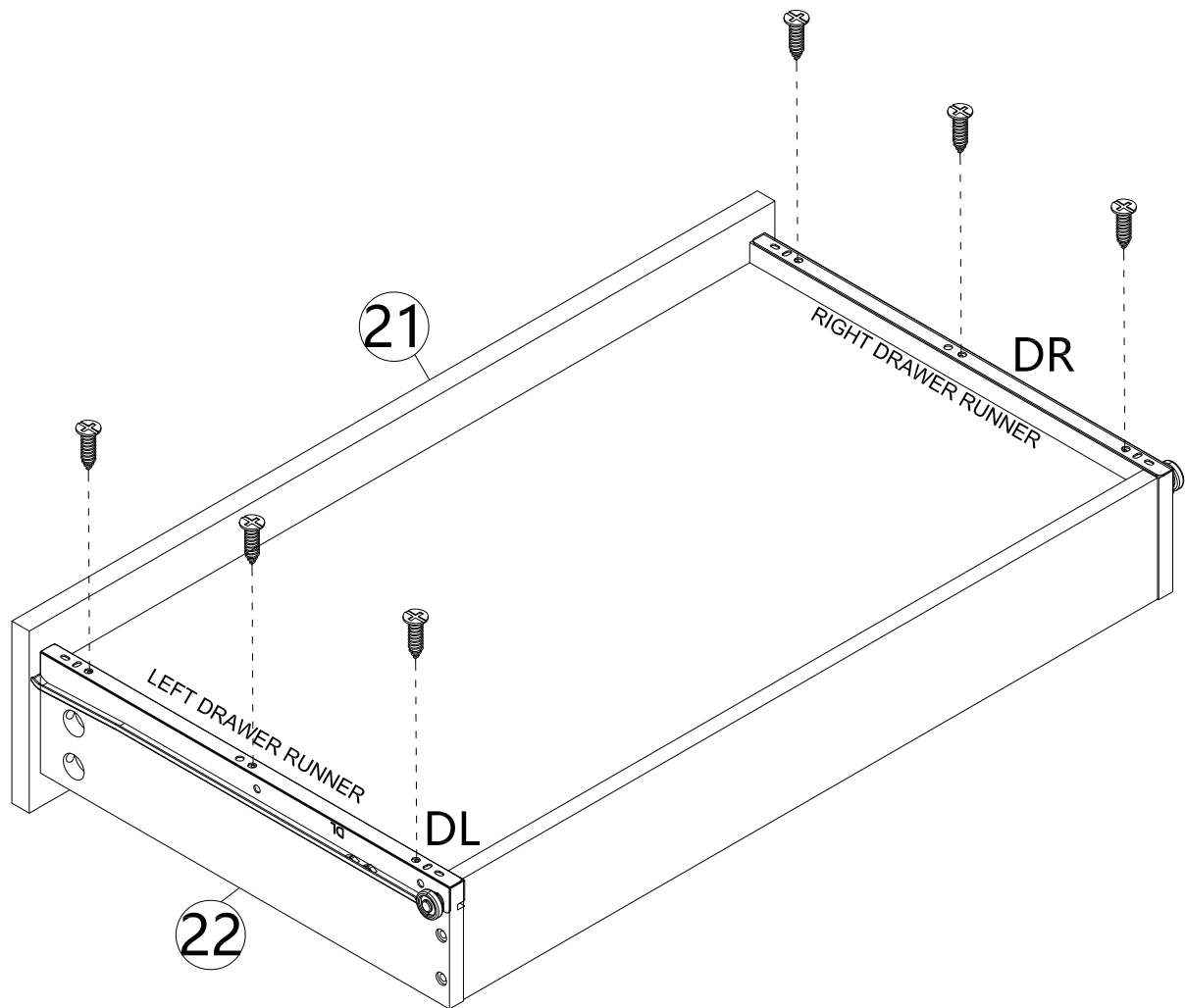
# STEP 17



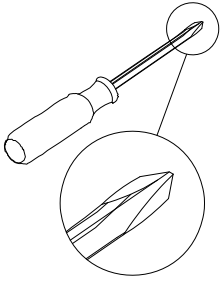
(E)	X6
	
Ø6.5x12	

(M)	X1
14"	
DL	
L=350	

(M)	X1
14"	
DR	
L=350	



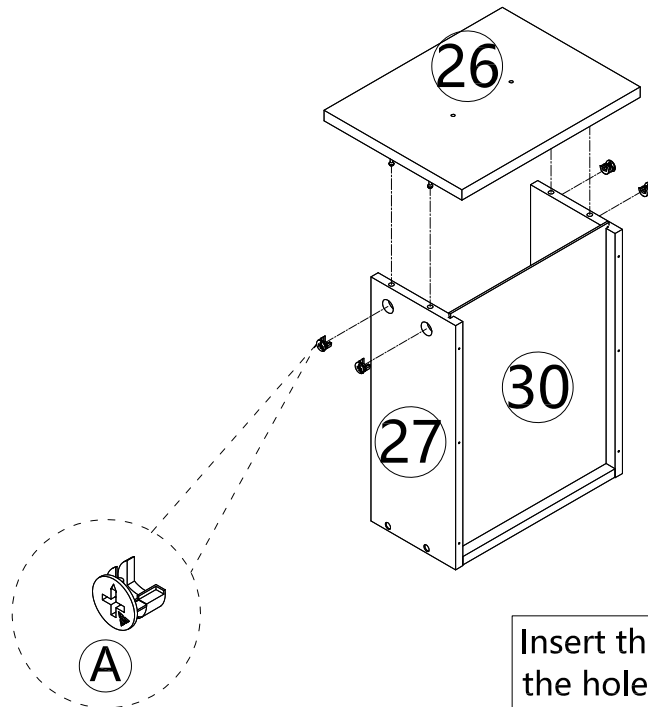
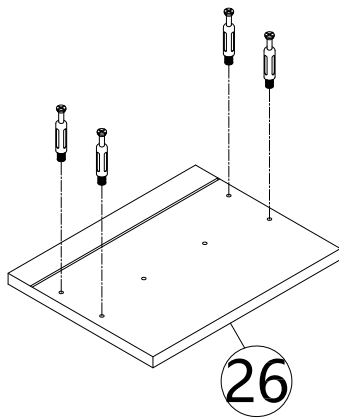
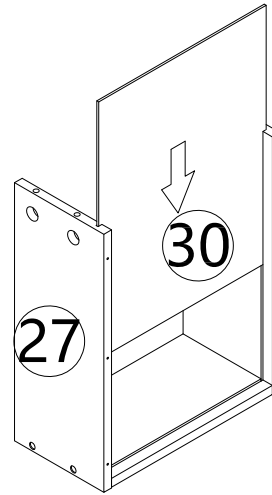
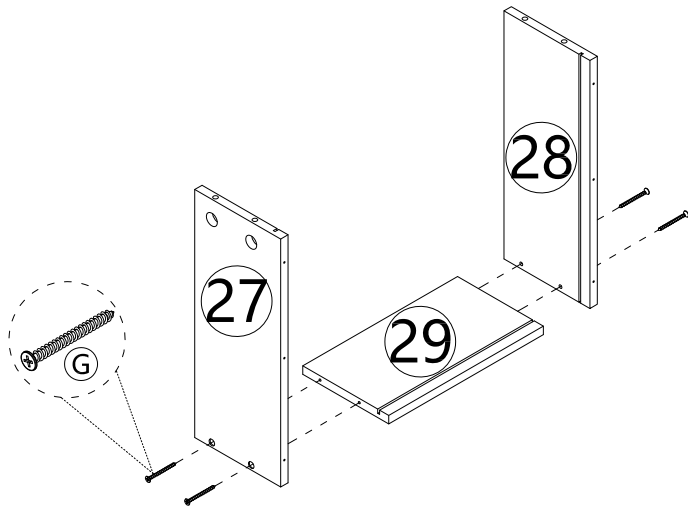
# STEP 18



(A)	X12
$\phi 15 \times 9.5$	

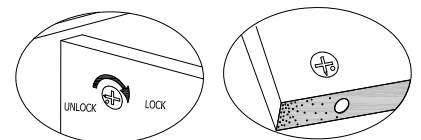
(B)	X12
$\phi 6 \times 34$	

(G)	X12
$\phi 4 \times 35$	



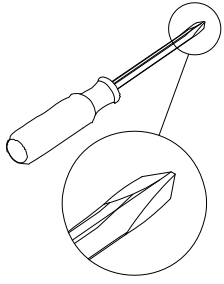
Insert the cam bolt into the hole first, then insert the cam lock and lock it.

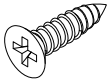
# X 3

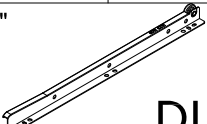


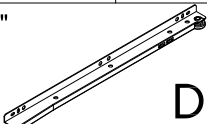
Proper orientation of CAM LOCK

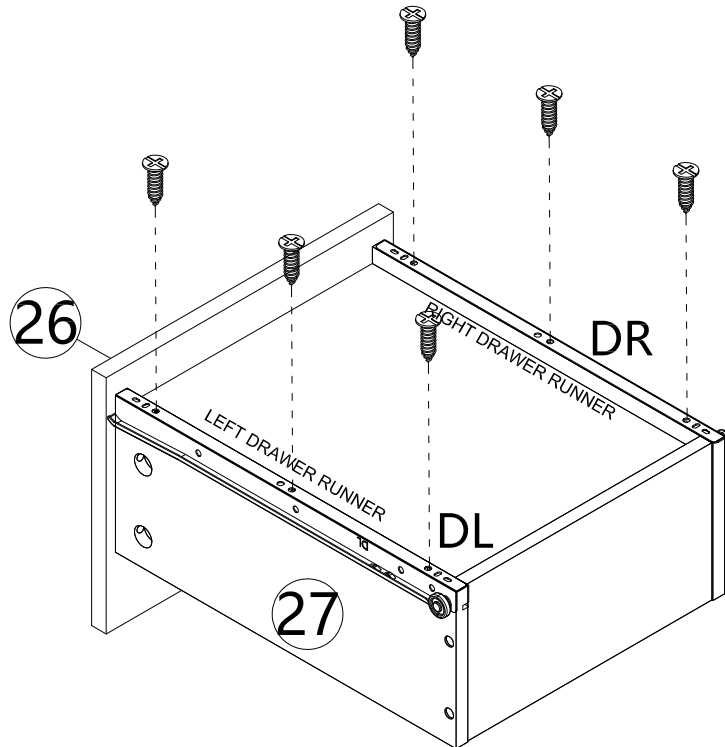
# STEP 19



(E)	X18
	
Ø6.5x12	

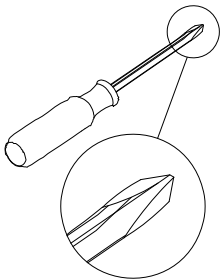
(M)	X3
14"	
DL	
L=350	

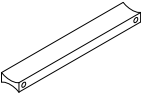
(M)	X3
14"	
DR	
L=350	

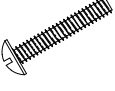


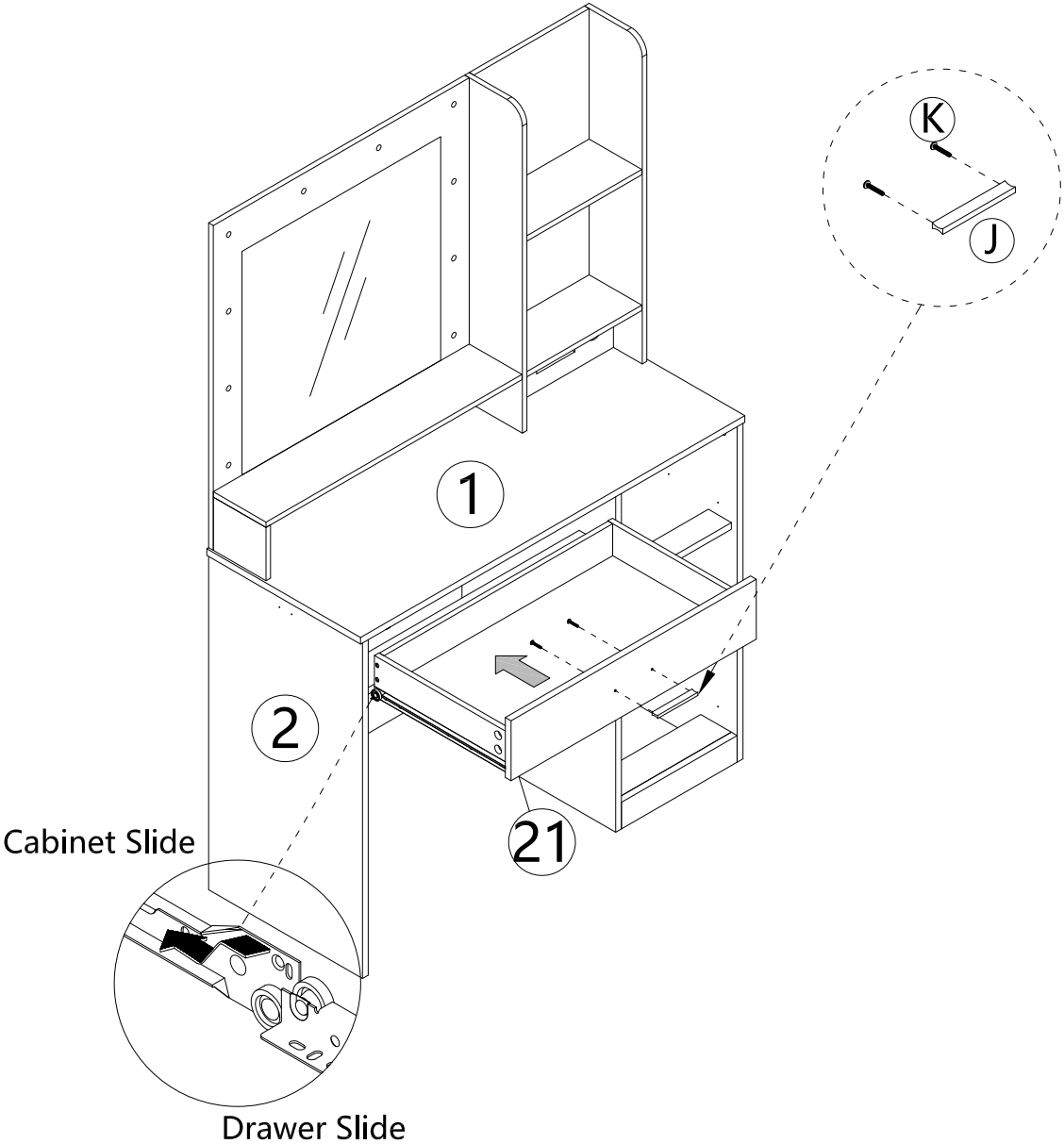
X 3

# STEP 20

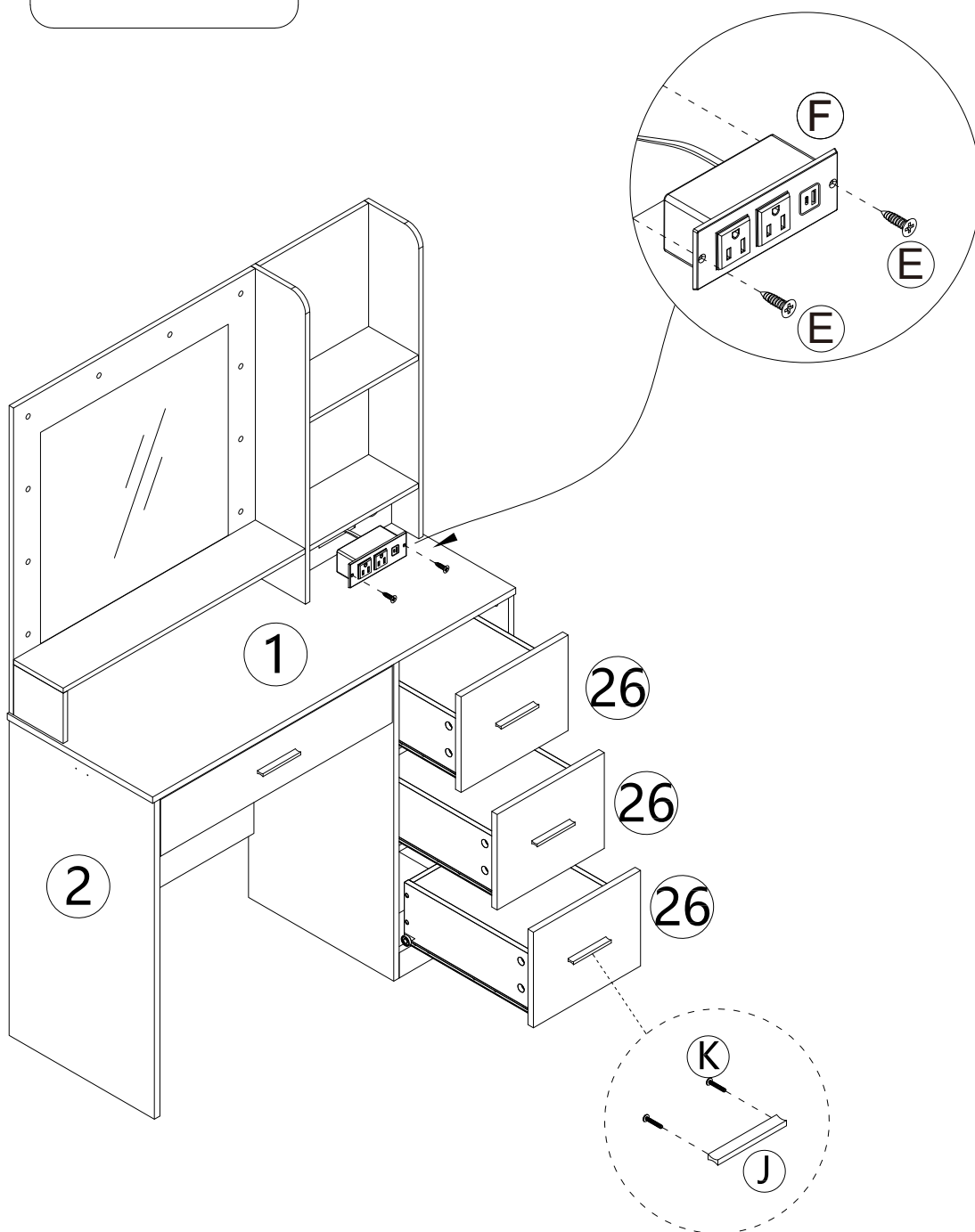
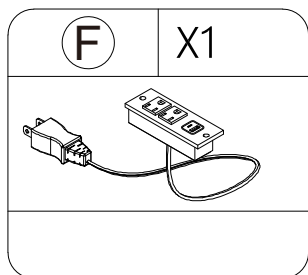
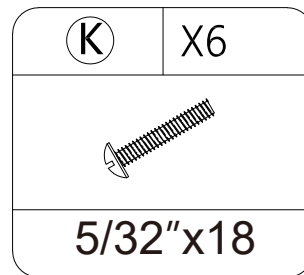
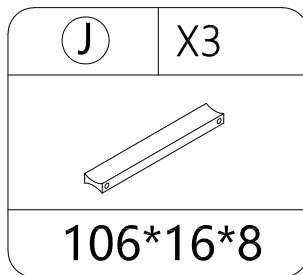
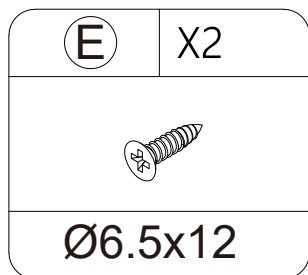
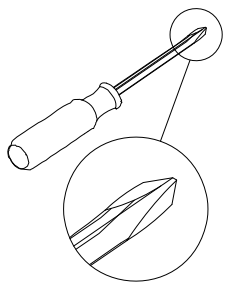


(J)	X1
	
106*16*8	

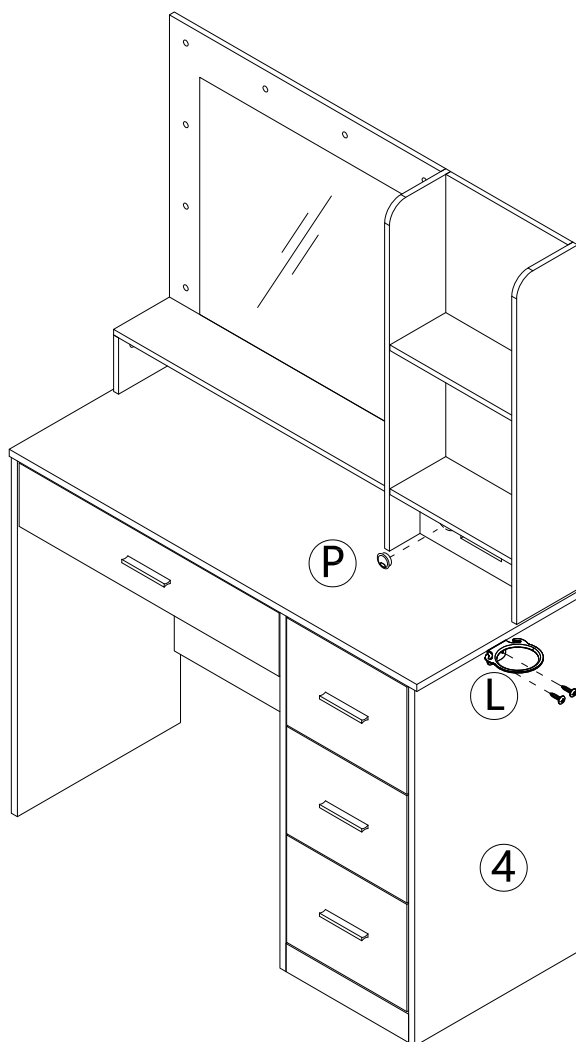
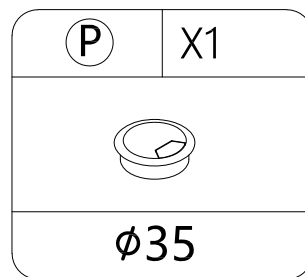
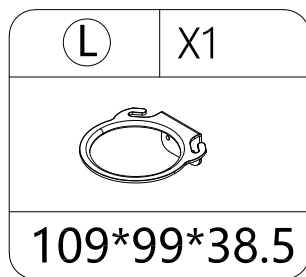
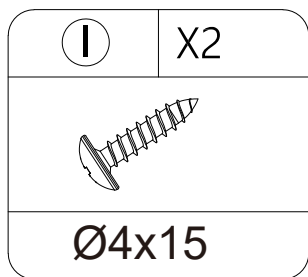
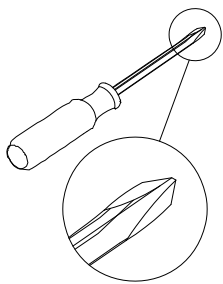
(K)	X2
	
5/32"x18	



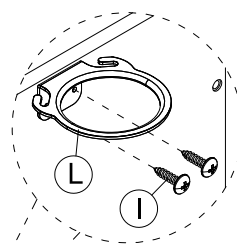
# STEP 21



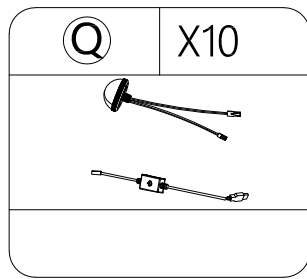
# STEP 22



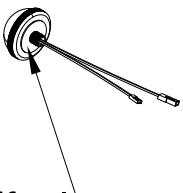
You can install the hair dryer rack(L) on the left or right according to your needs



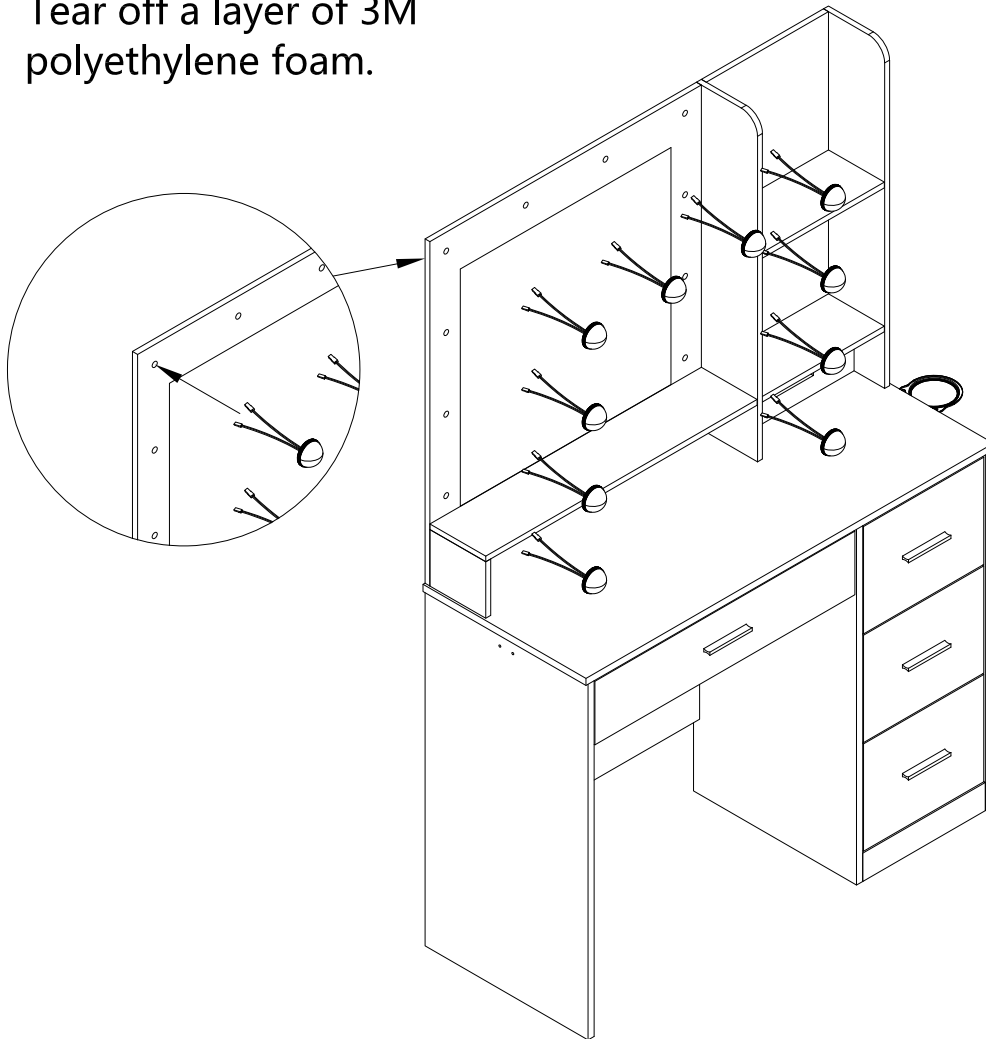
# STEP 23



Pass the bulb wire through the pre punched plate, then gently press the bulb and make it adhere to the plate.

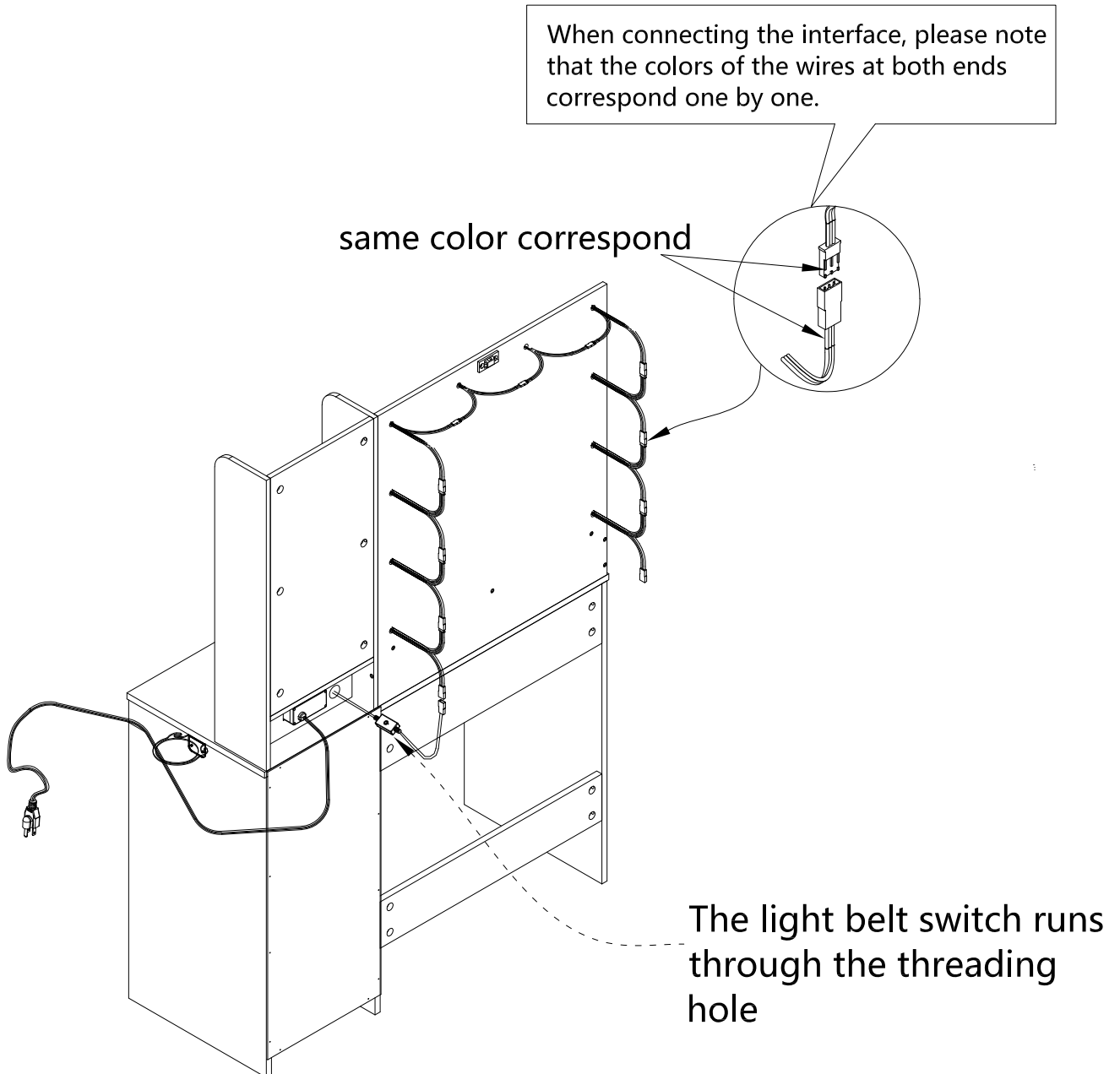


Tear off a layer of 3M polyethylene foam.



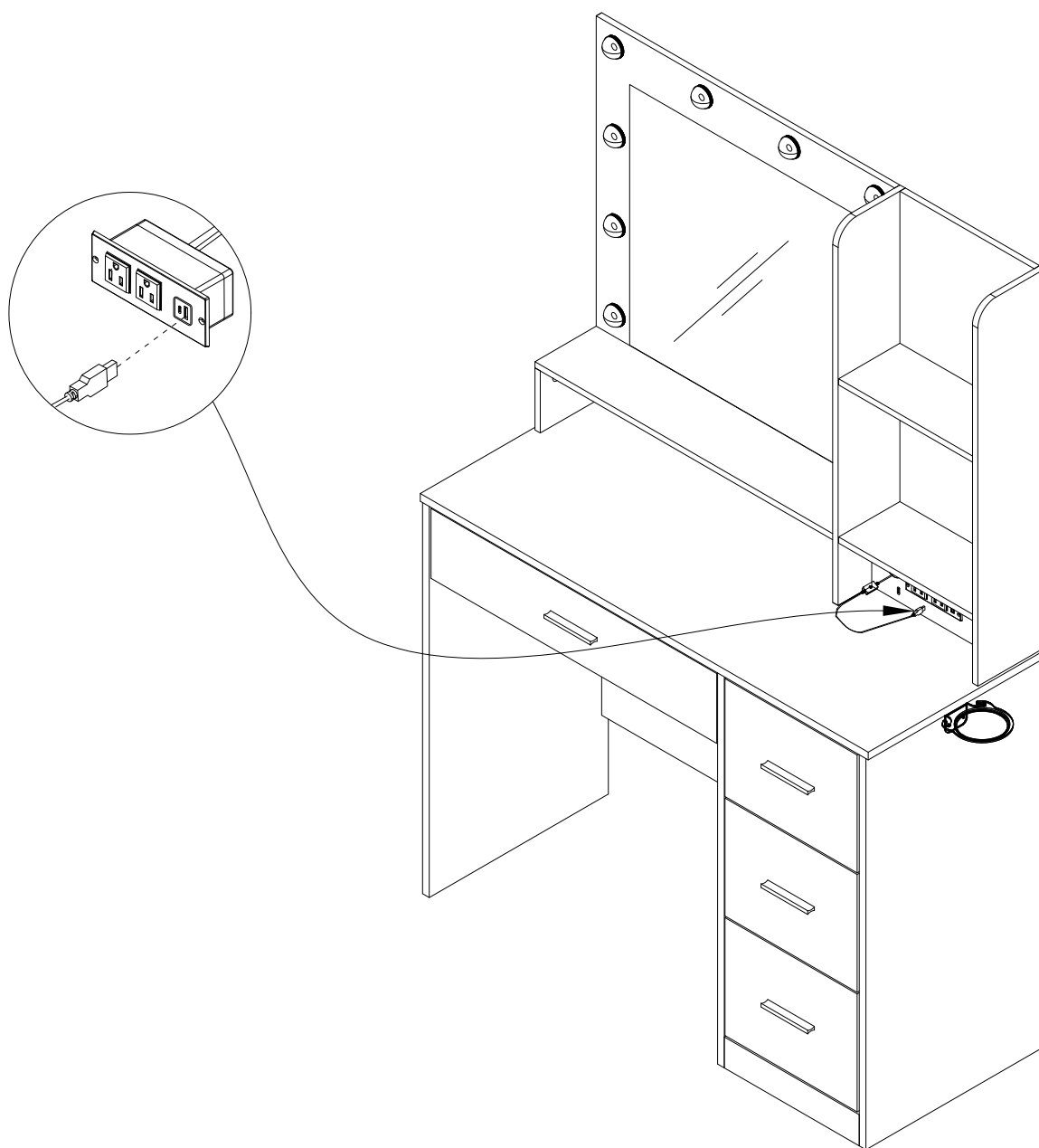
# STEP 24

Pass the bulb wire through the pre punched plate, then gently press the bulb and make it adhere to the plate, and then connect the adjacent bulbs successively through the wire head slot on the opposite side (corresponding to the line of the same color).

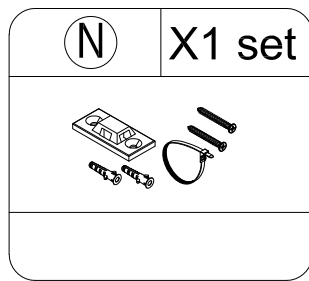


# STEP 25

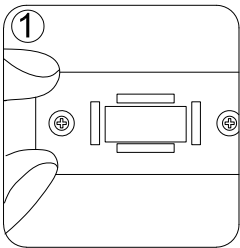
When making up, you can use the switch to turn on or off the light. The dressing table brings you 3 color temperature light modes, touch the button you can easily light up the mirror and change colors to meet your different needs, long press to adjust the brightness.



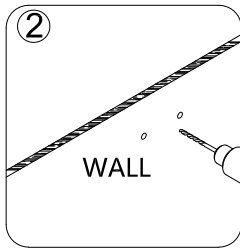
# STEP 26



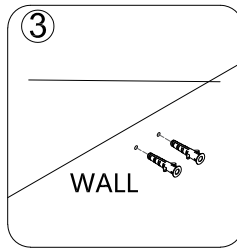
## Install the tipping restraint hardware



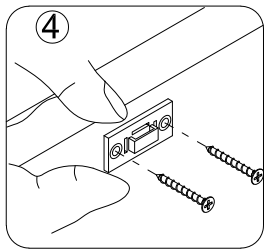
1. make mark on the wall



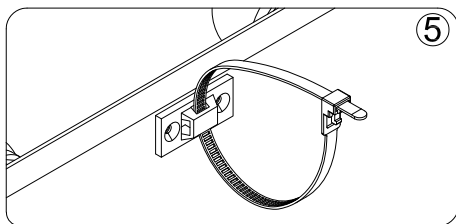
2. drill two  $\varnothing 6$  holes on the wall



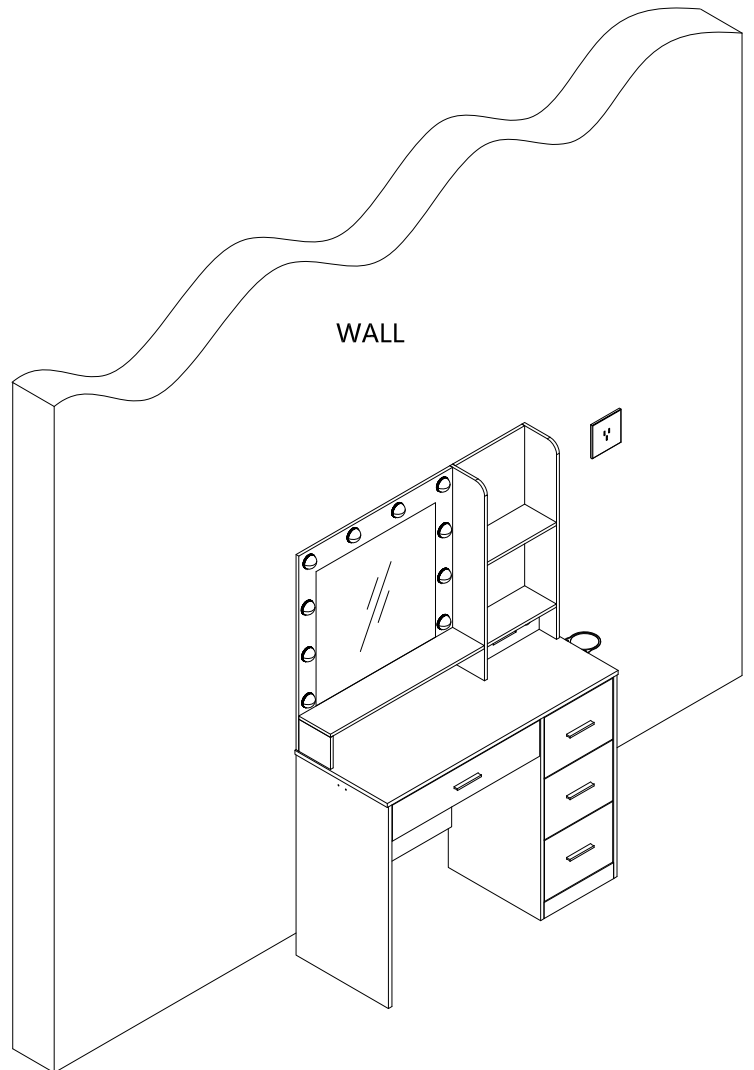
3. put two anchors in the holes



4. fix the device on the wall by the long screws



5. Push the cabinet close to the wall so that the two bases are close to each other, and then put on nylon tie to tighten it.



# FURNITURE CARE AND MAINTENANCE

Thank you for your purchase. We want your item to last as long as possible. To ensure the product gives you years of service, please refer to this care and maintenance guide.



## MAINTENANCE

Tighten all bolts and screws again within the first 2 weeks of assembly  
Check the tightness of all bolts every 2 months, tighten them if necessary



## CLEANING

Clean the surface of the MDF and PB (medium - density fiberboard) with a lightly dampened cloth.

Small amount of mild soap can be used if necessary

- Dry the surface immediately after cleaning.

⚠ DO NOT use bleach or alcohol detergent to clean the surface.

⚠ DO NOT apply wood treatment on parts made with MDF/PB.

Medium - density fiberboard and PB will swell and distort when suffer from water damage.  
Make sure to dry the furniture immediately after cleaning