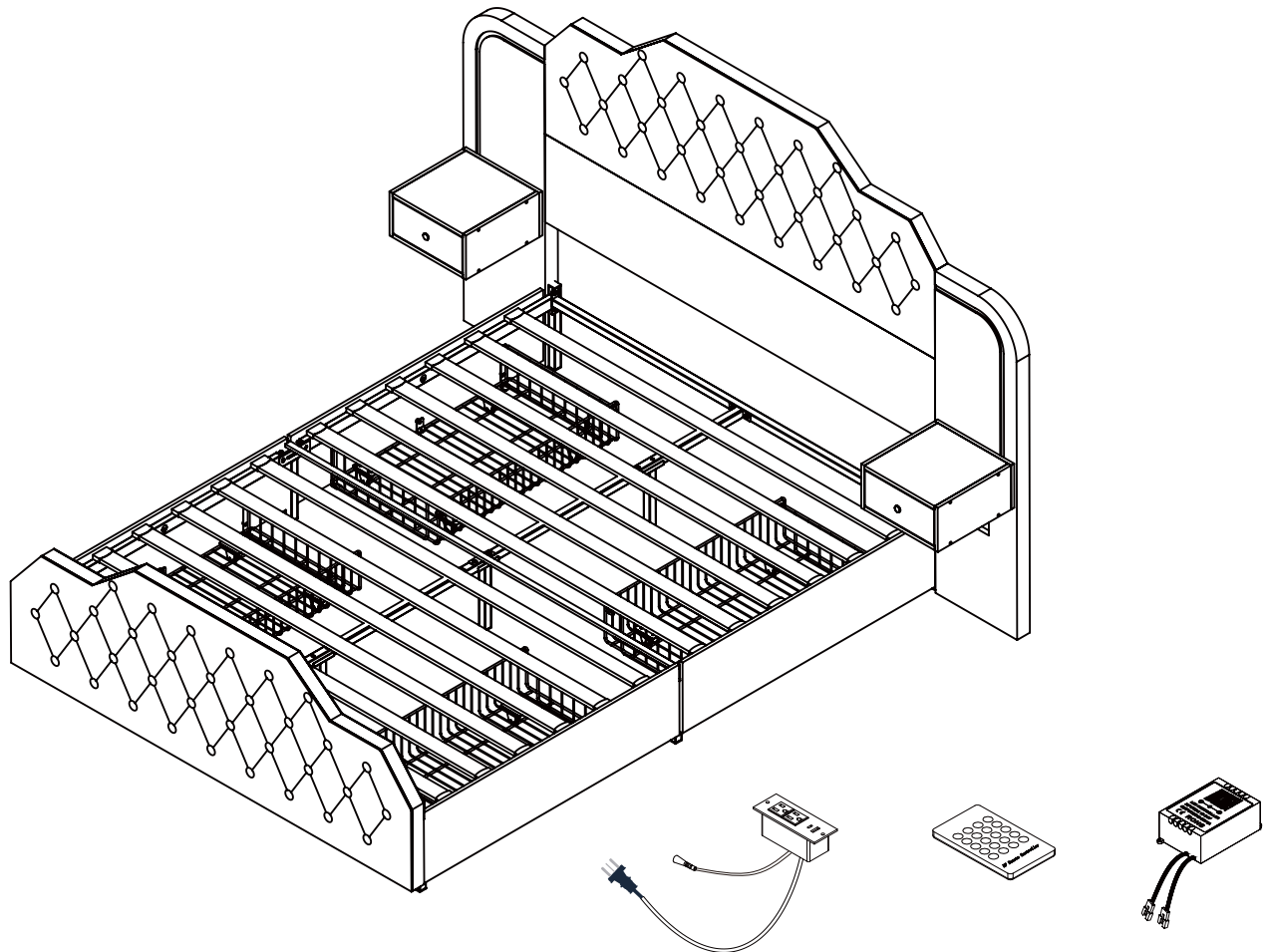


# USER'S MANUAL



DEAR CUSTOMER,

Caution:

Please don't tighten the screws completely and go back later for a final tightening of all the screws after pieces are aligned with each other !

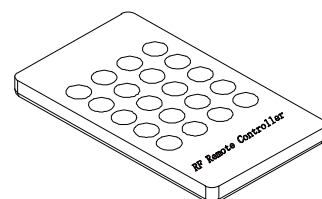


You can choose mobile control or RF Remote Control  
First, pull out the plastic card on the RF Remote Controller and power on the RF Remote Controller.

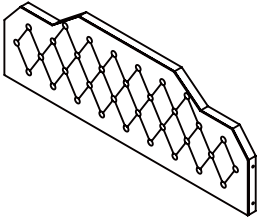
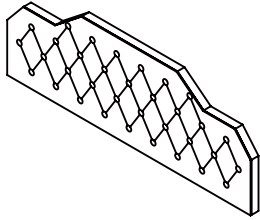
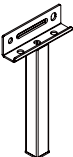
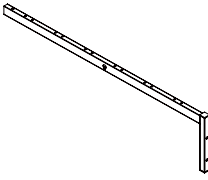
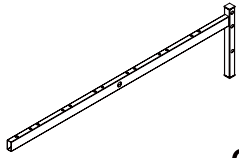
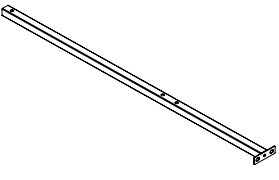
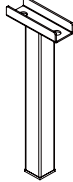
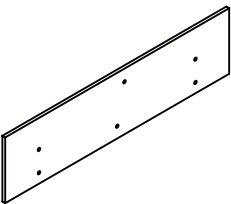
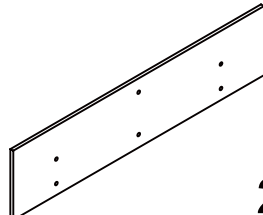
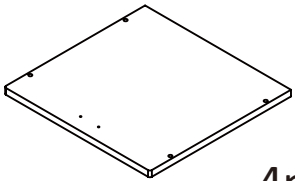
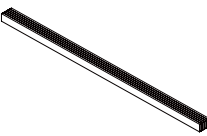
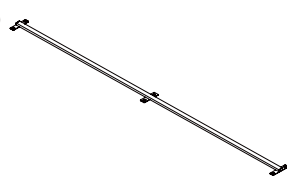
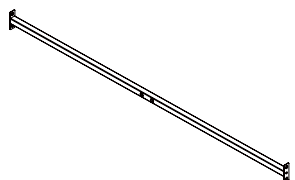

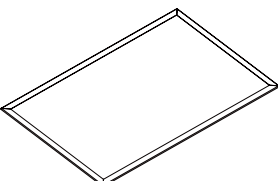


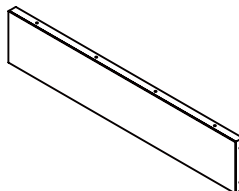
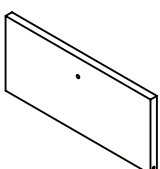
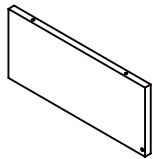
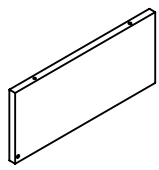
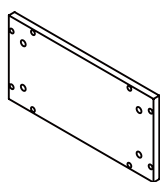
Mobile phone control steps:

1. Connect LED Lamp and RF RGB Controller.
2. Plug in the Adaptor Power supply.
3. Scan the RF RGB Controller QR code on the controller and download the software .
4. Turn on the Bluetooth function of the mobile phone and search for Bluetooth pairing.
5. Open the LED APP and switch colors change.

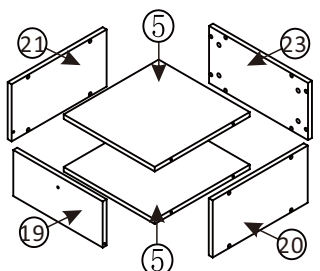
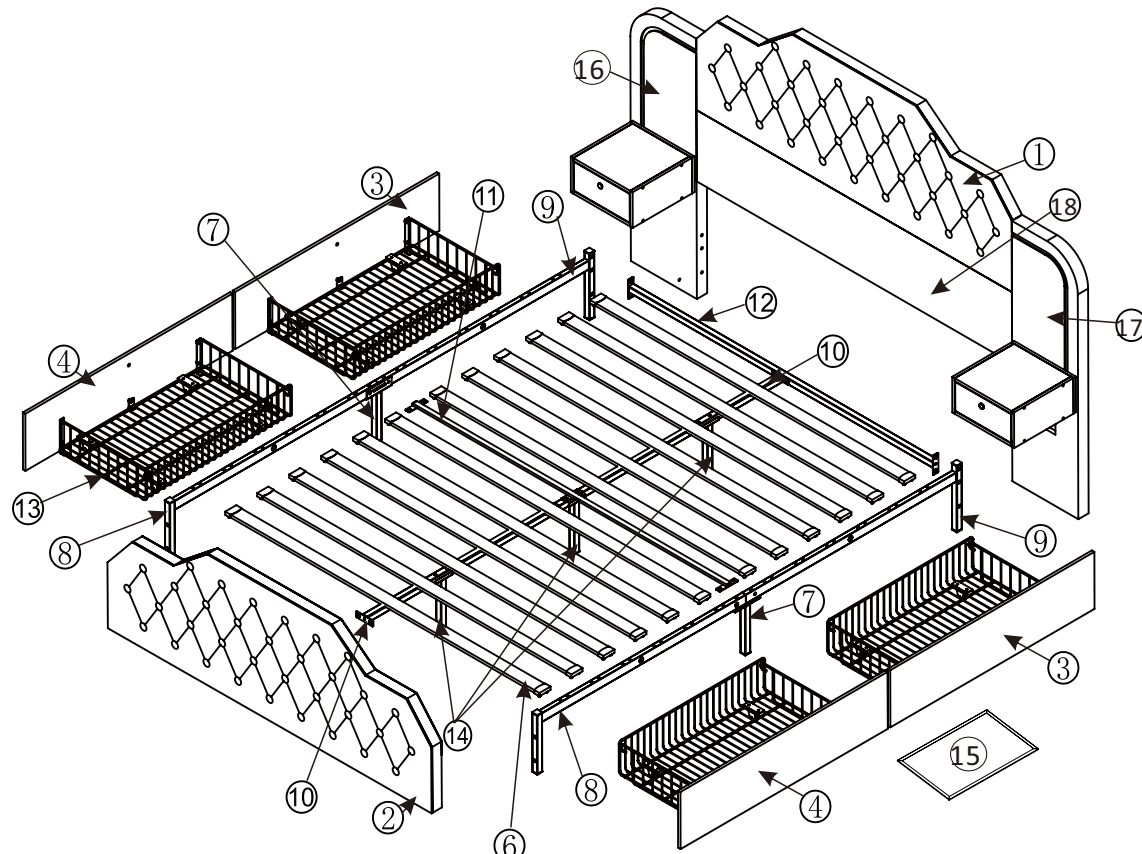
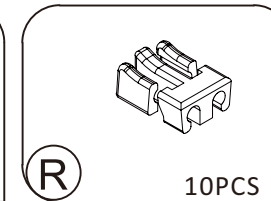
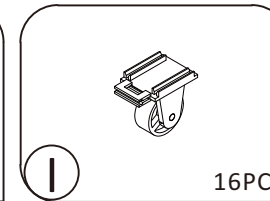
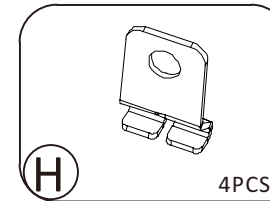
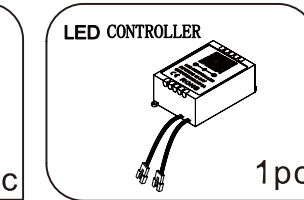
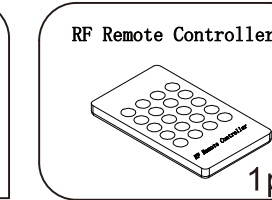
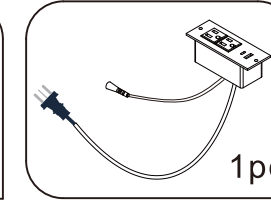
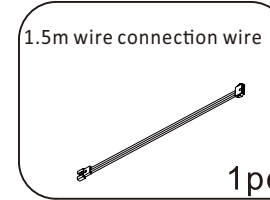
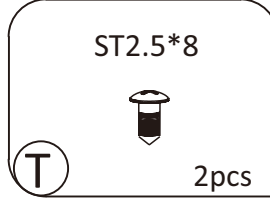
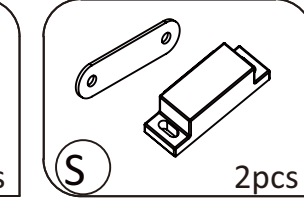
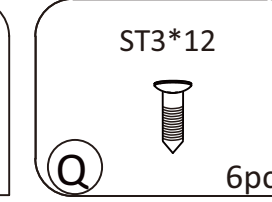
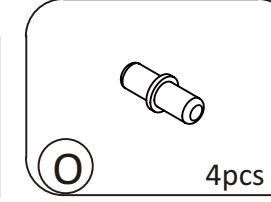
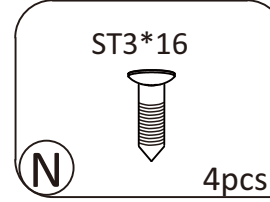
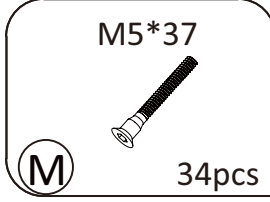
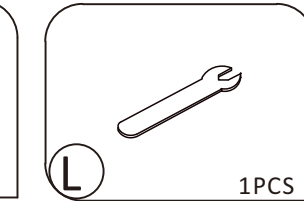
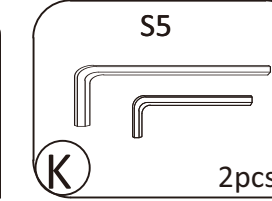
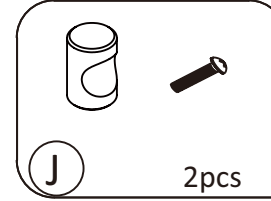
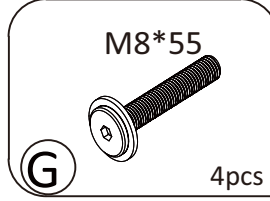
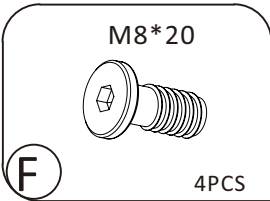
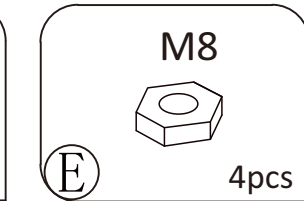
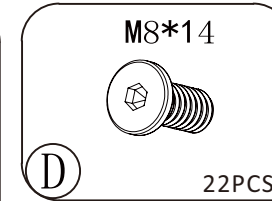
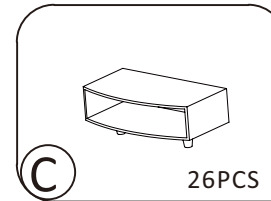
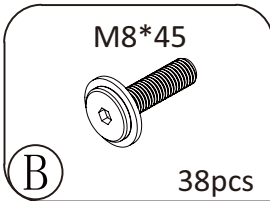
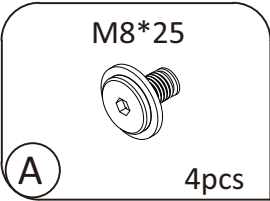
Click the music switch to realize the skip mode of different LED lights.  
Press the timing switch to realize the automatic light off function, etc.



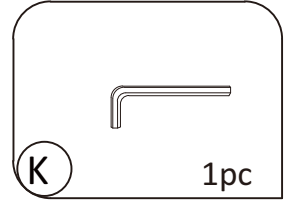
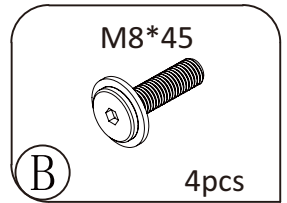
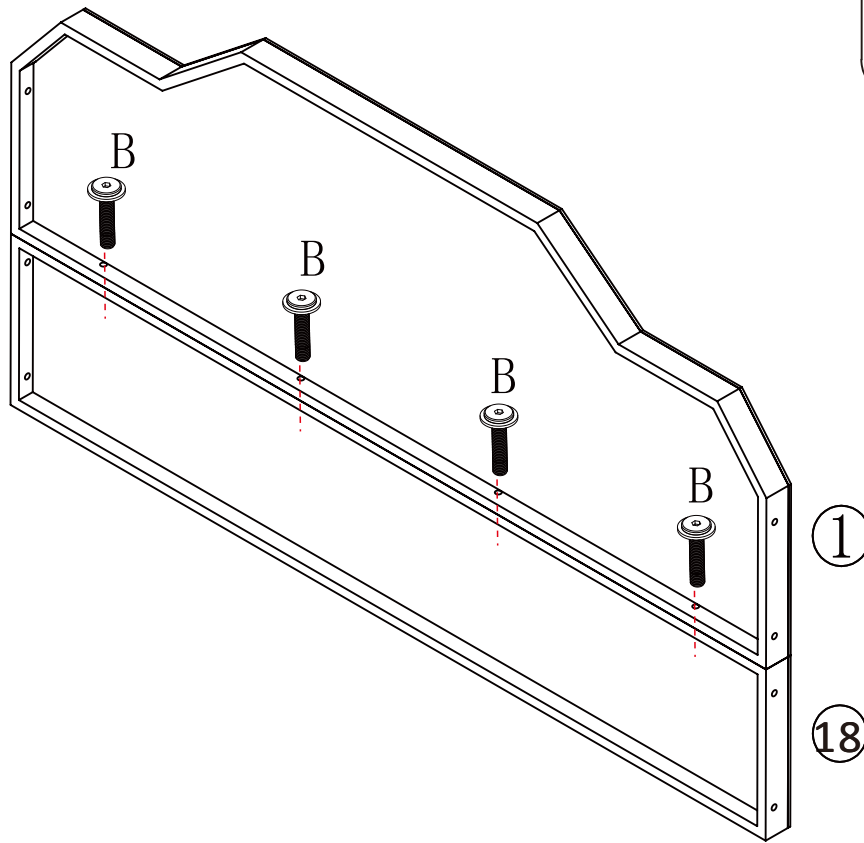
# PARTS LIST

<p>①  1pc</p>	<p>②  1pc</p>	<p>⑦  2pcs</p>
<p>⑧  2pcs</p>	<p>⑨  2pcs</p>	<p>⑩  2pcs</p>
<p>⑭  3pcs</p>		
<p>③  2pcs</p>	<p>④  2pcs</p>	<p>⑤  4pcs</p>
<p>⑥  12pcs</p>	<p>⑪  1pc</p>	<p>⑫  1pc</p>
<p>⑬  4pcs</p>	<p>⑮  4pcs</p>	<p>⑯  1pc</p>
<p>⑰  1pc</p>	<p>⑱  1pc</p>	<p>⑲  2pcs</p>
<p>⑳  2pcs</p>	<p>㉑  2pcs</p>	<p>㉓  2pcs</p>

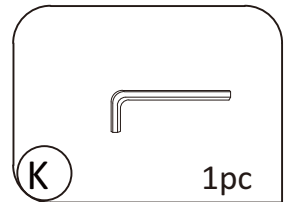
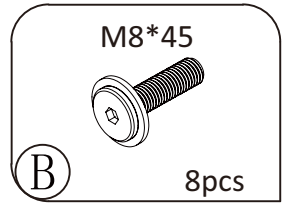
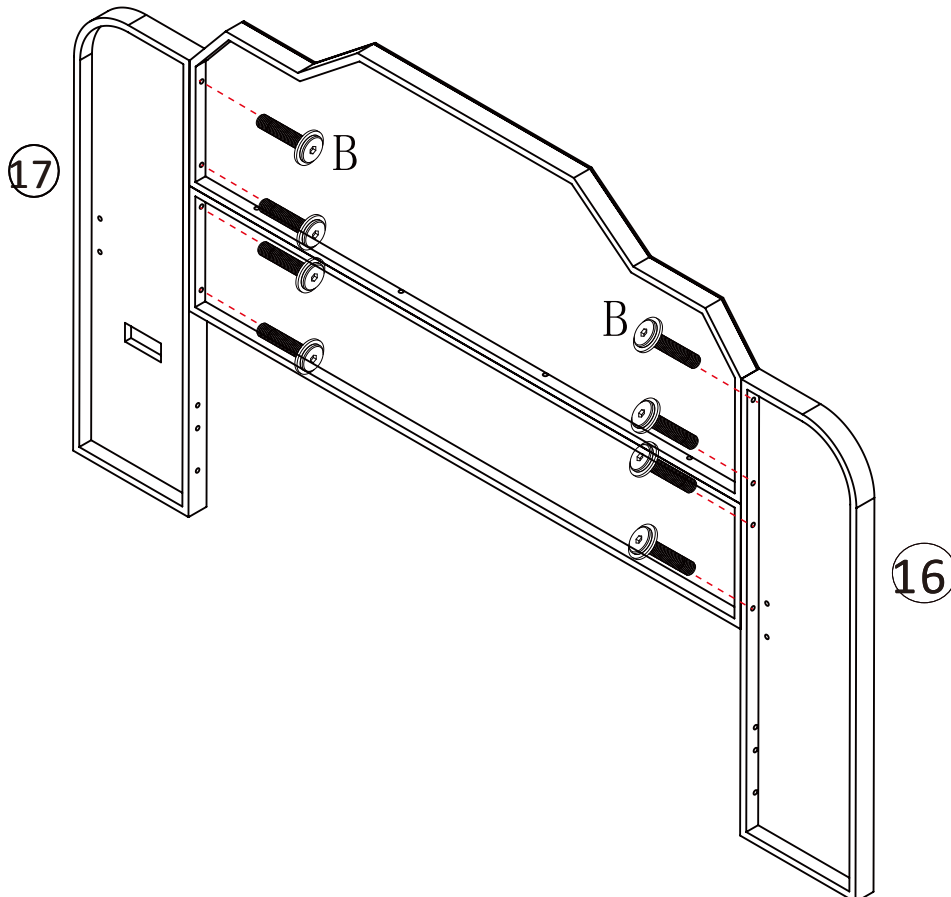
# HARDWARE



# Steps 1

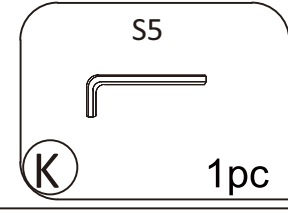
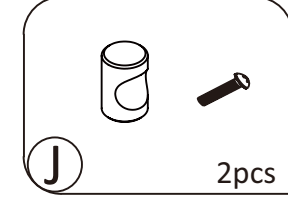
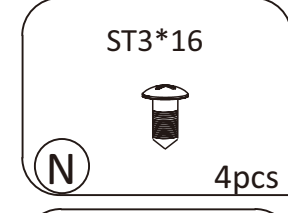
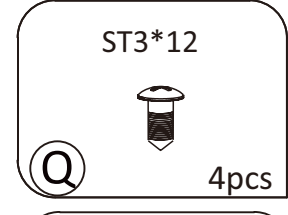
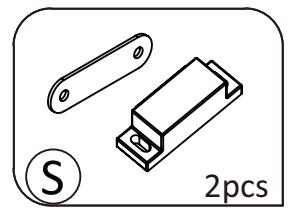
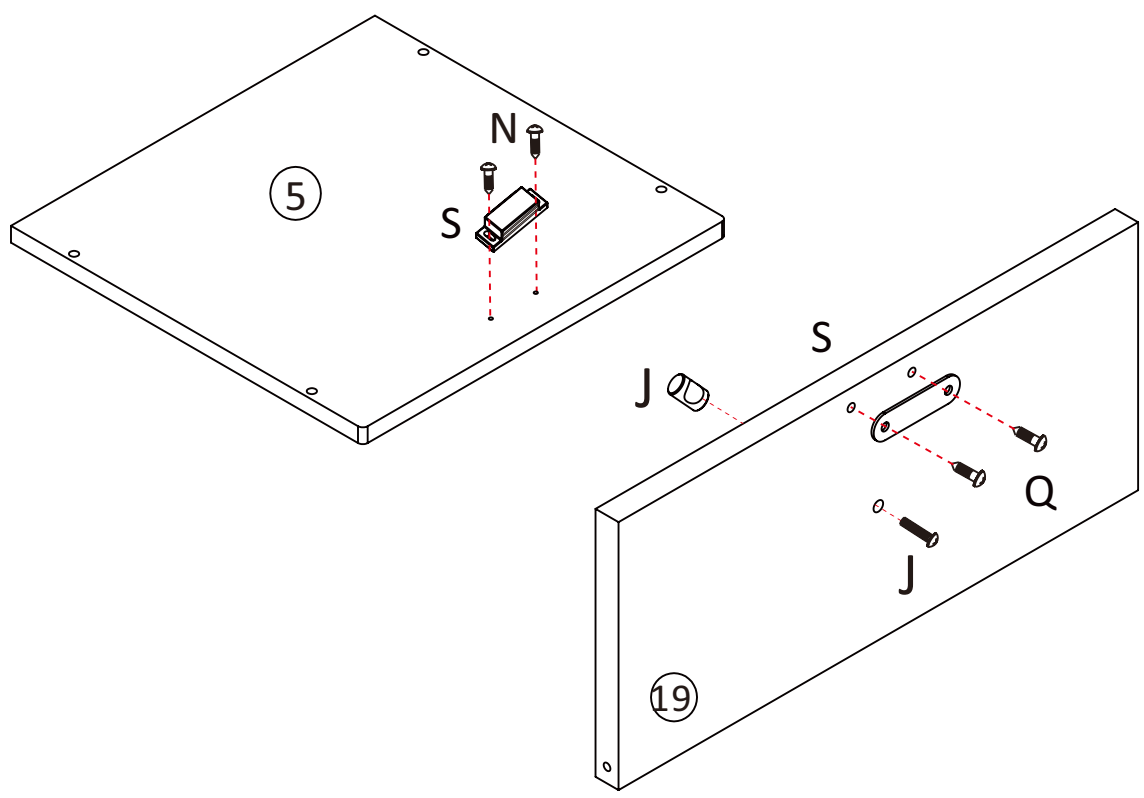


# Steps 2



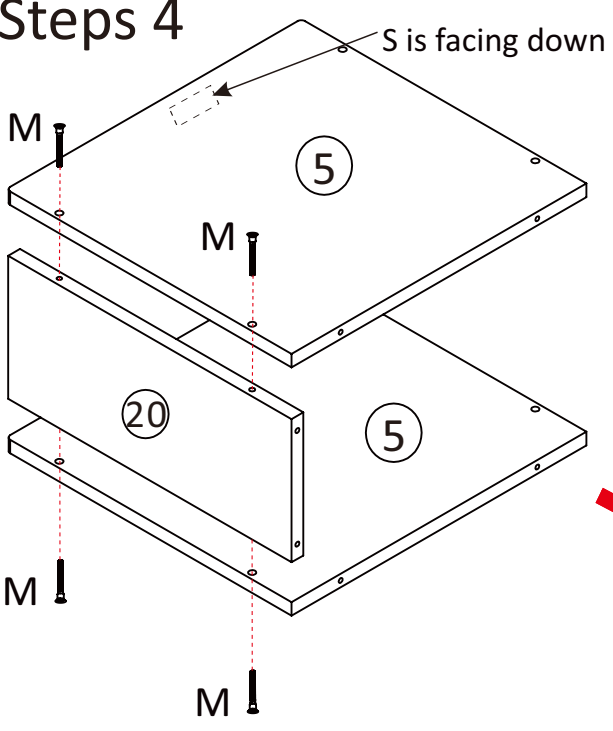
# Steps 3

# X2

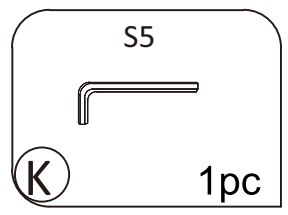
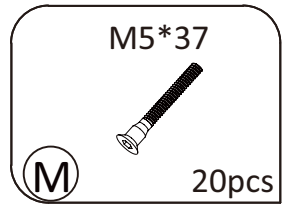
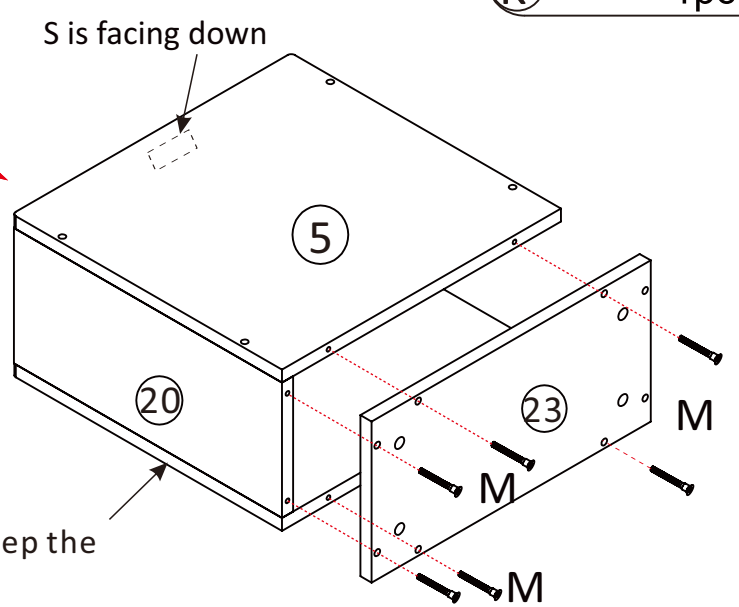


# Steps 4

# X2

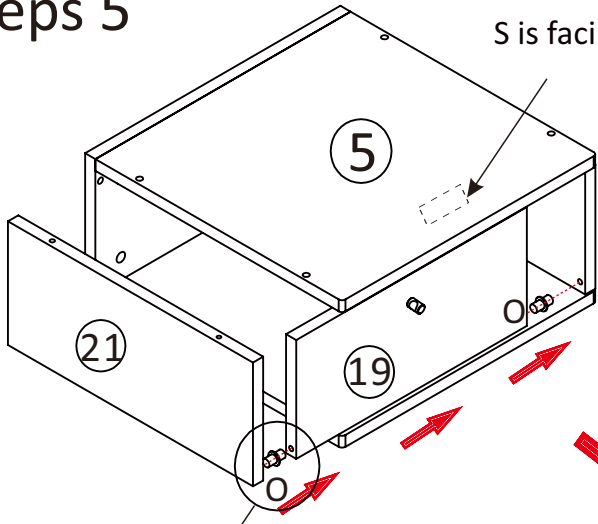


Please do not lock it until the drawer is assembled

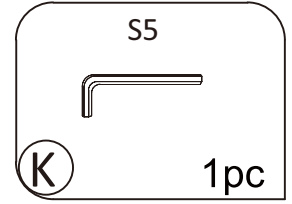
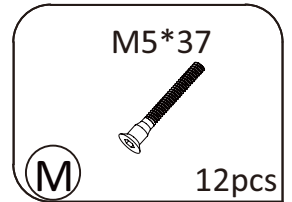
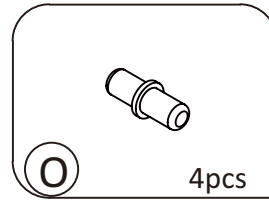


It is recommended that you keep the pilot holes facing down

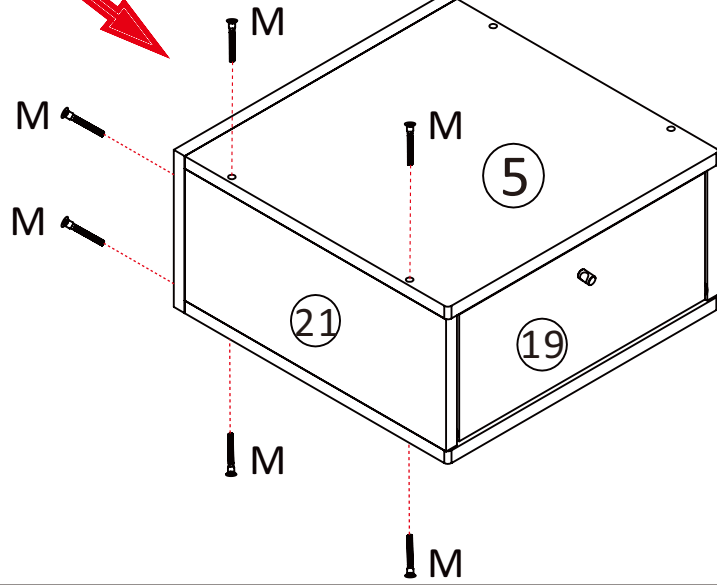
# Steps 5



S is facing down

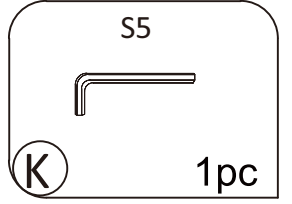
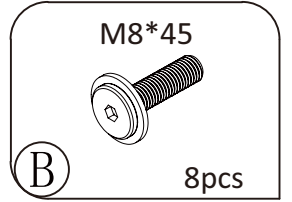
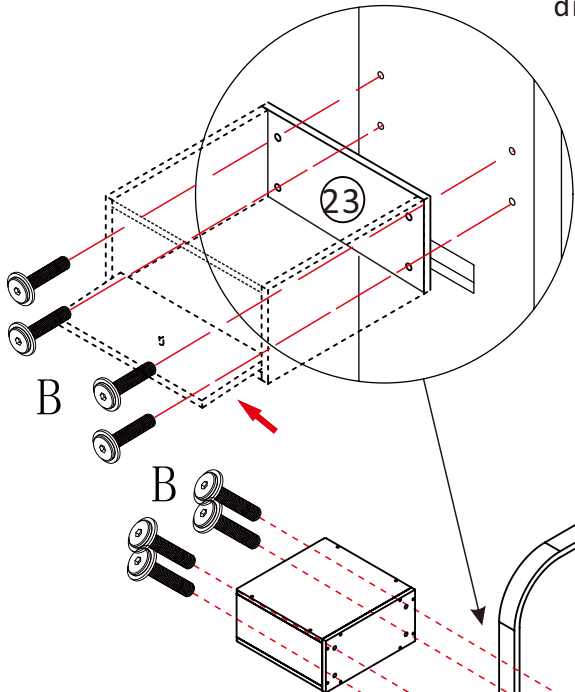


X2



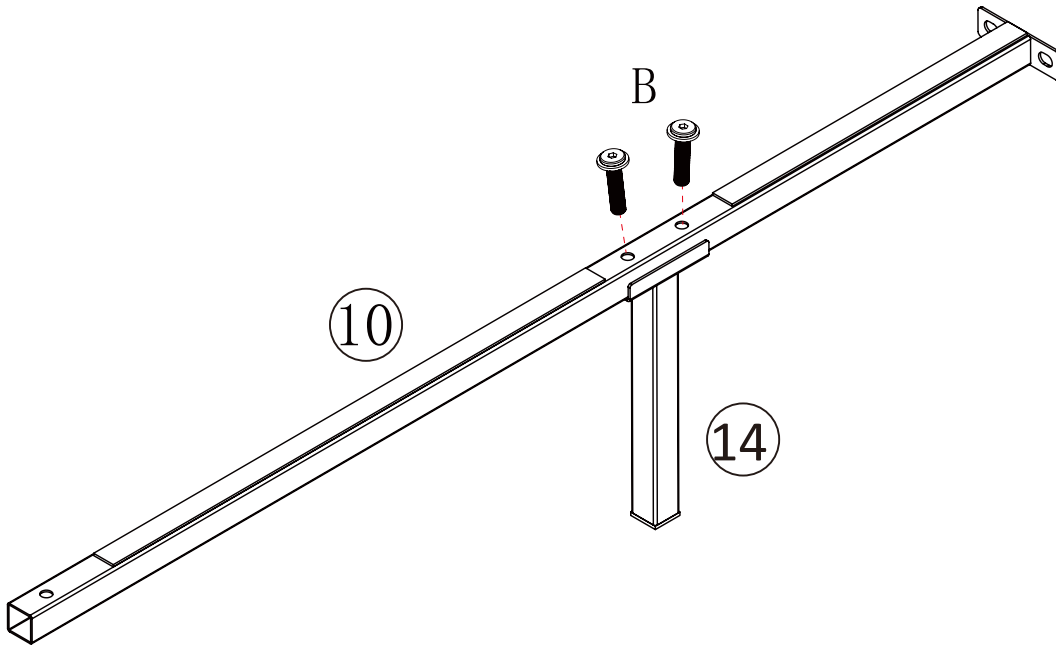
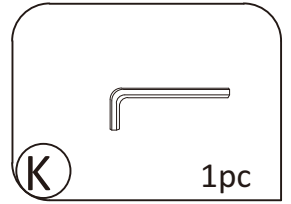
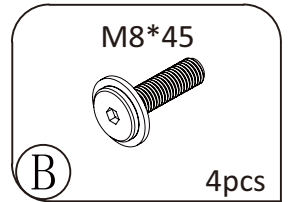
# Steps 6

Pay attention to the direction of the door

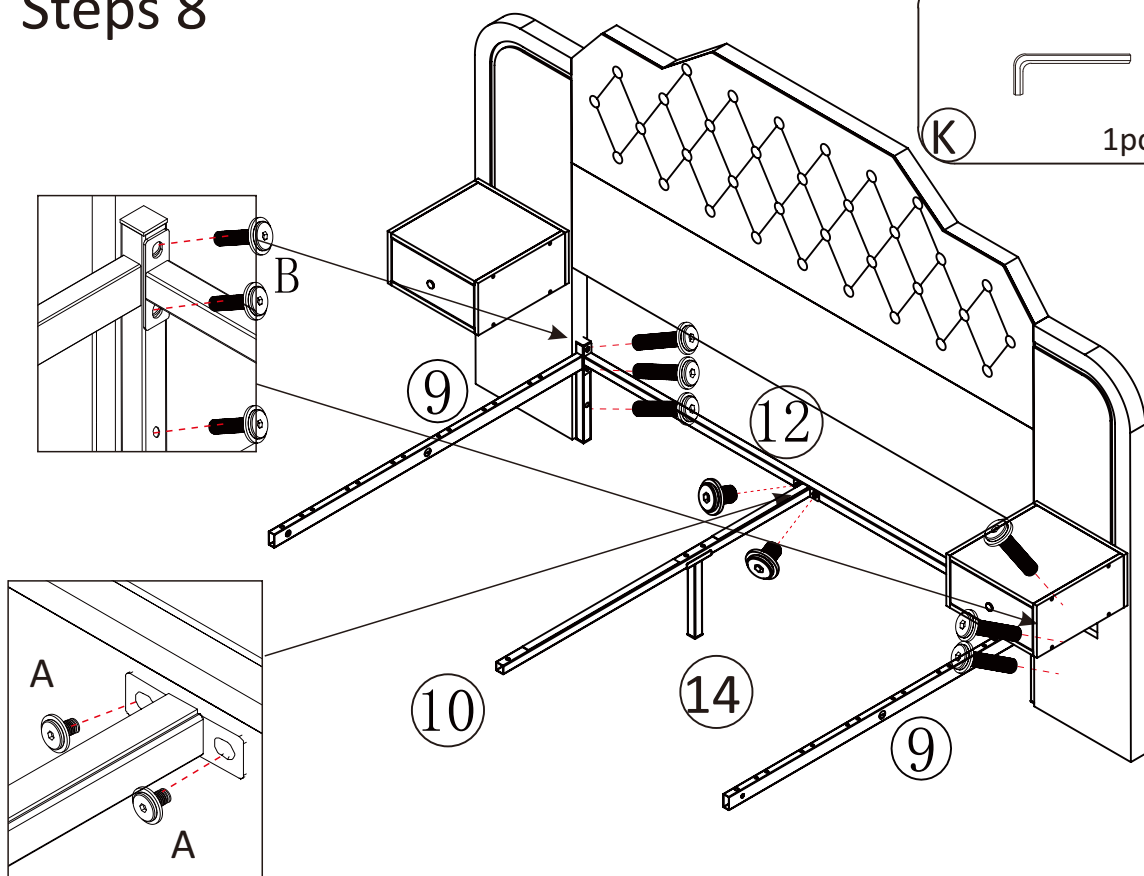
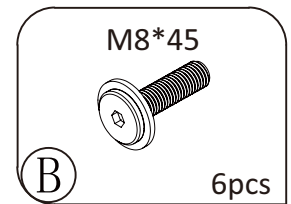
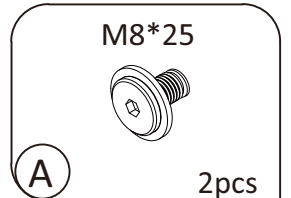
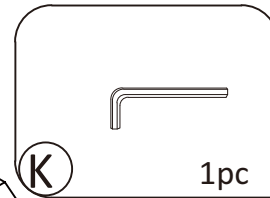


# Steps 7

# X2

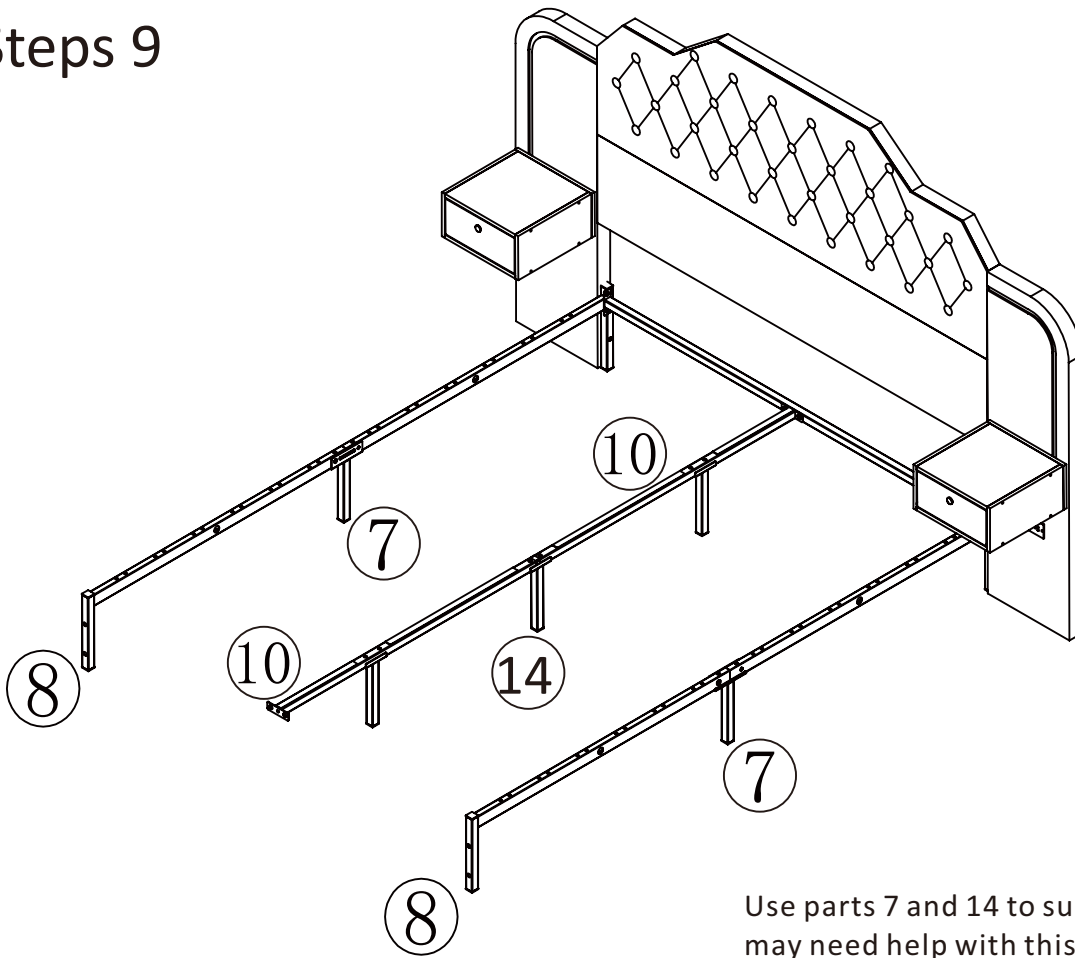


# Steps 8



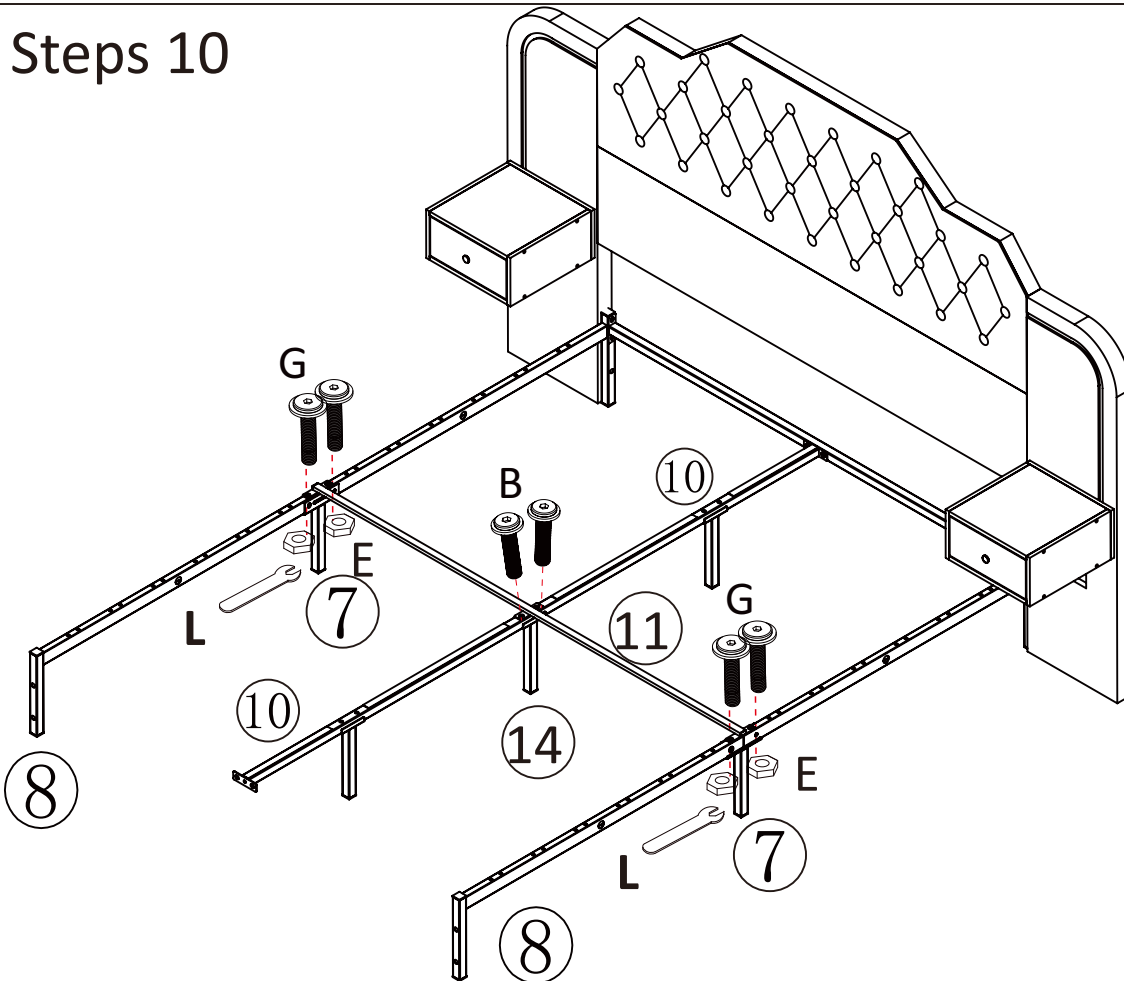
Connect Part 10 to part 12 first, then lock screw B through part 12 and part 9 to part 16 or part 17

## Steps 9



Use parts 7 and 14 to support parts 8 and 10. You may need help with this step

## Steps 10



M8\*45

(B)

2pcs

M8\*55

(G)

4pcs



(K)

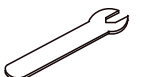
1pc

M8



(E)

4pcs

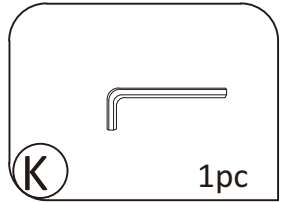
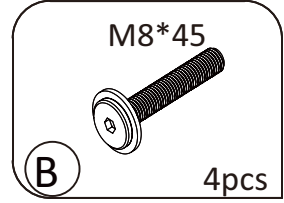
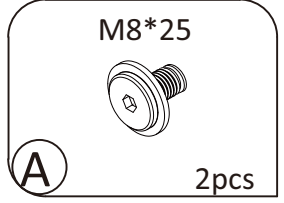
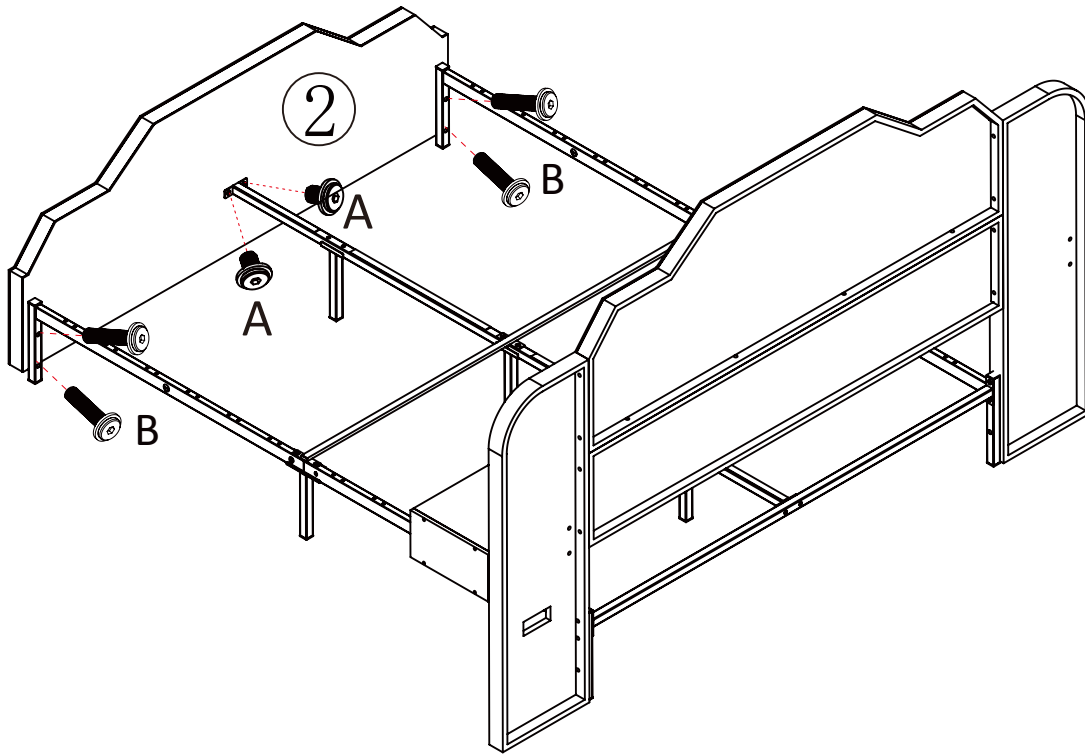


(L)

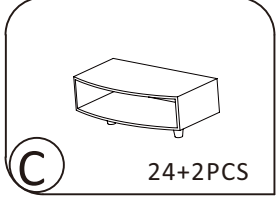
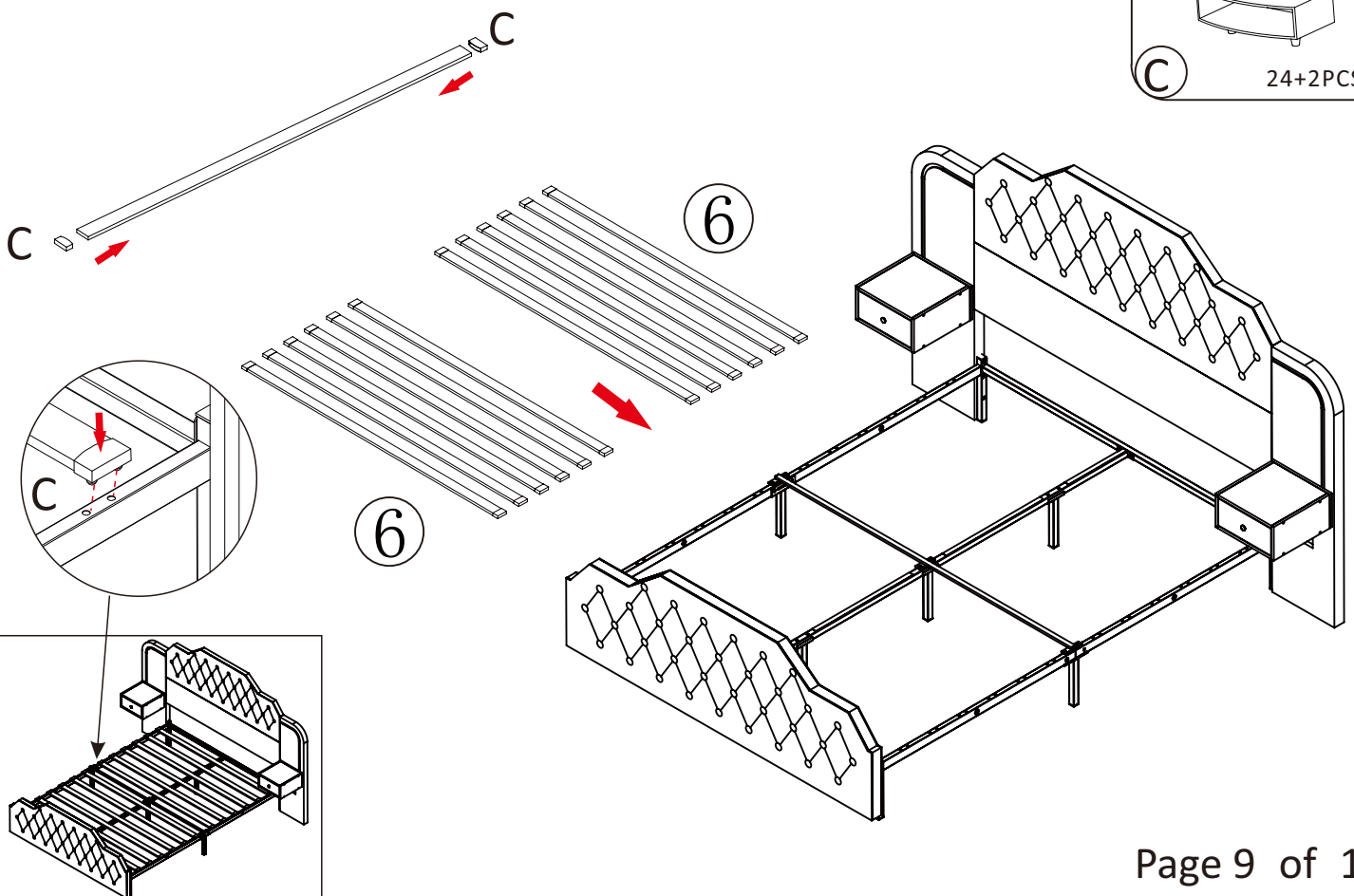
1pcs

Please first use screw B to pass through part 11 and part 10 to lock onto part 14. Screw G through parts 11, 8, and 7 to lock onto nut E

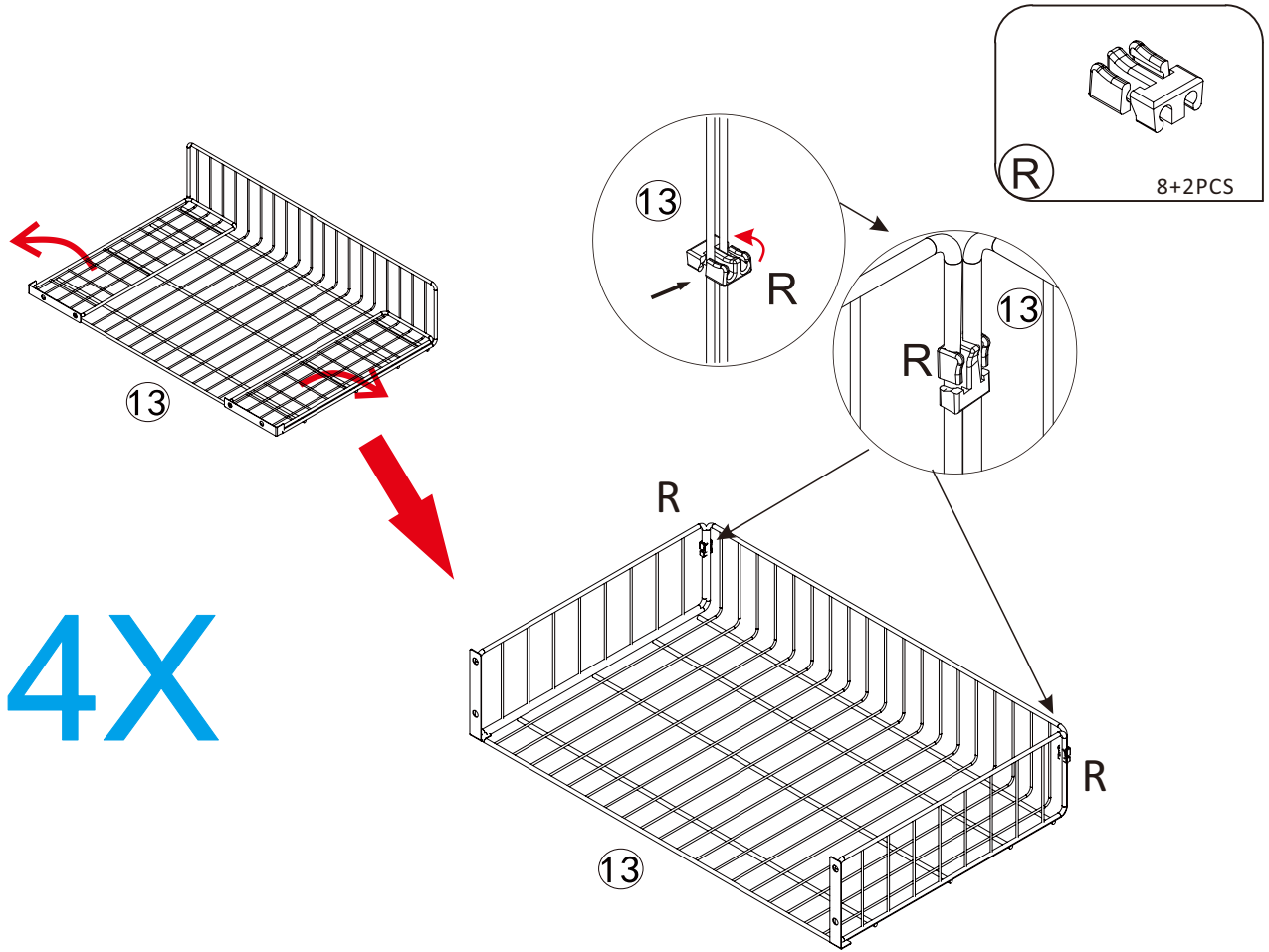
# Steps 11



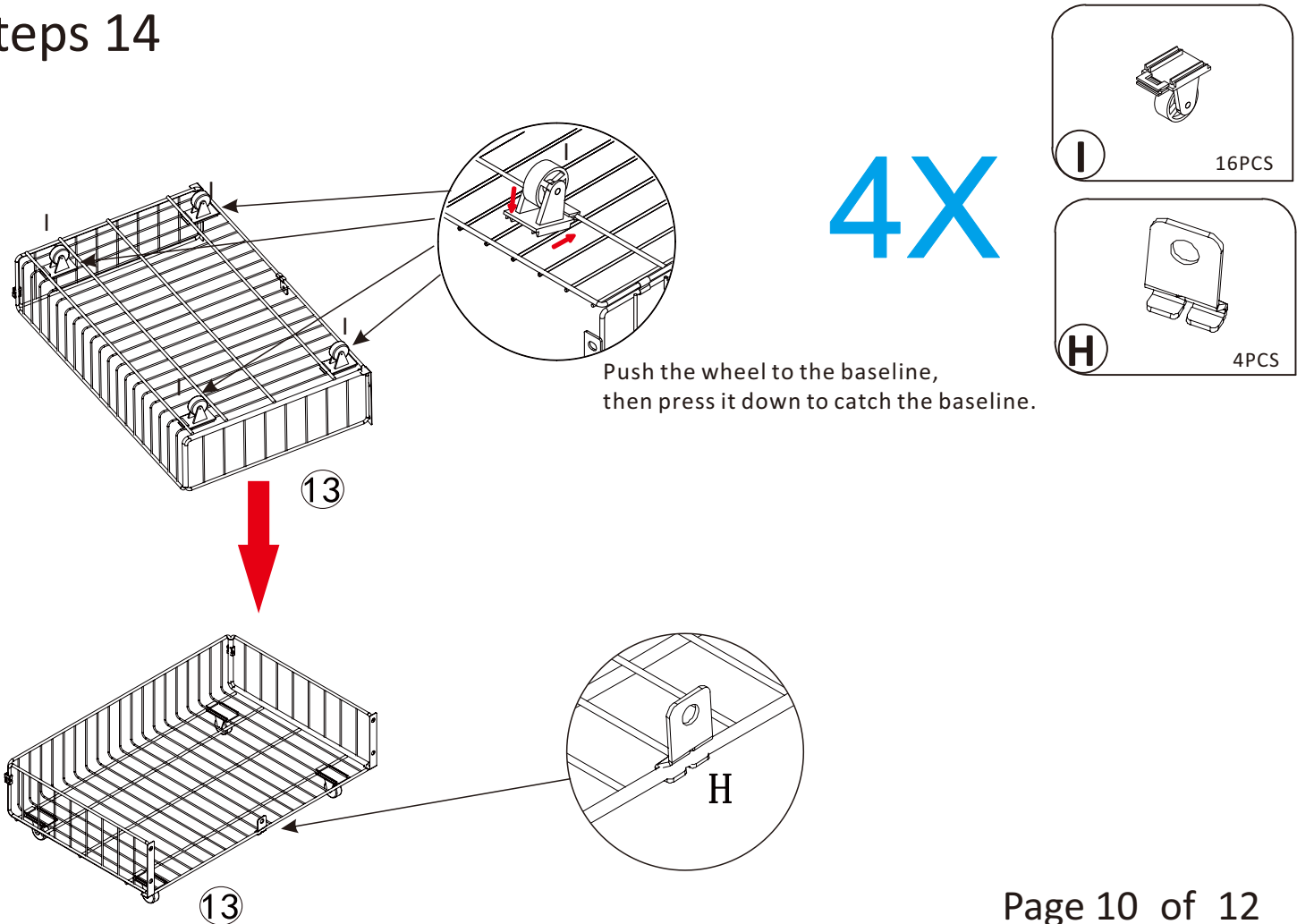
# Steps 12



# Steps 13



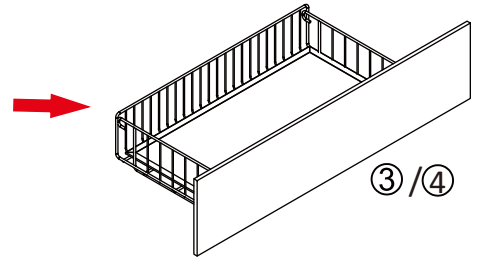
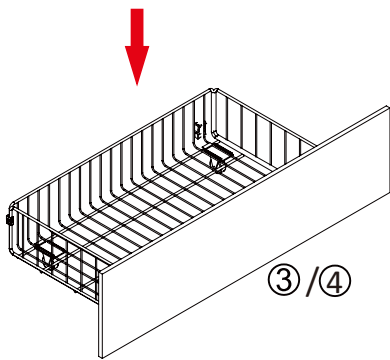
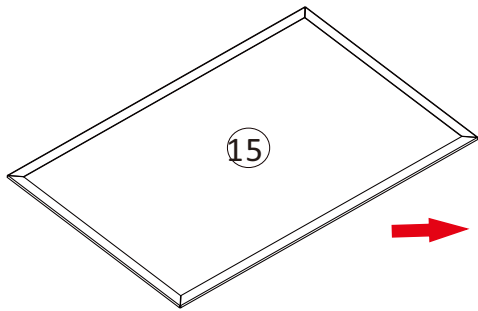
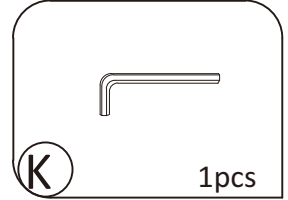
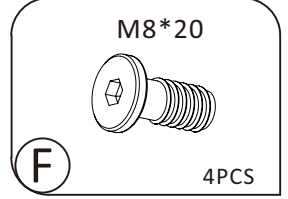
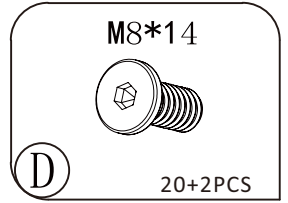
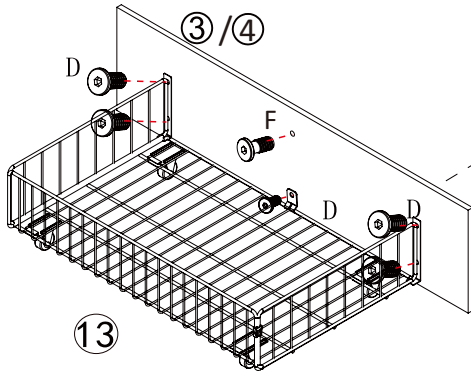
# Steps 14



# Steps 15

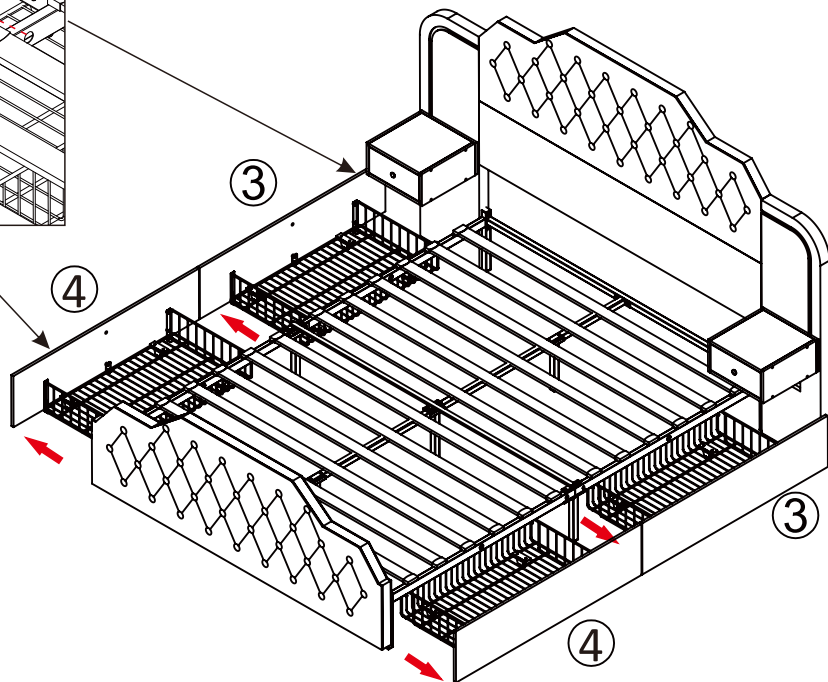
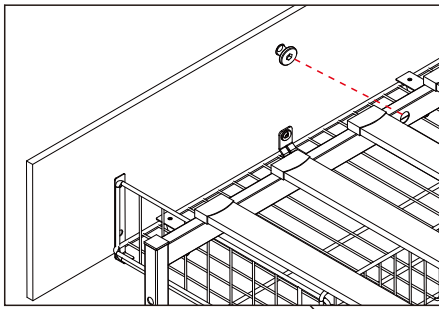
X4

Pay attention to the direction of the buckle



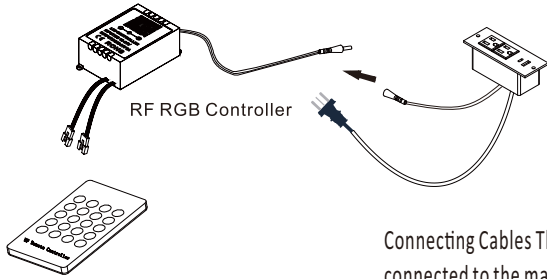
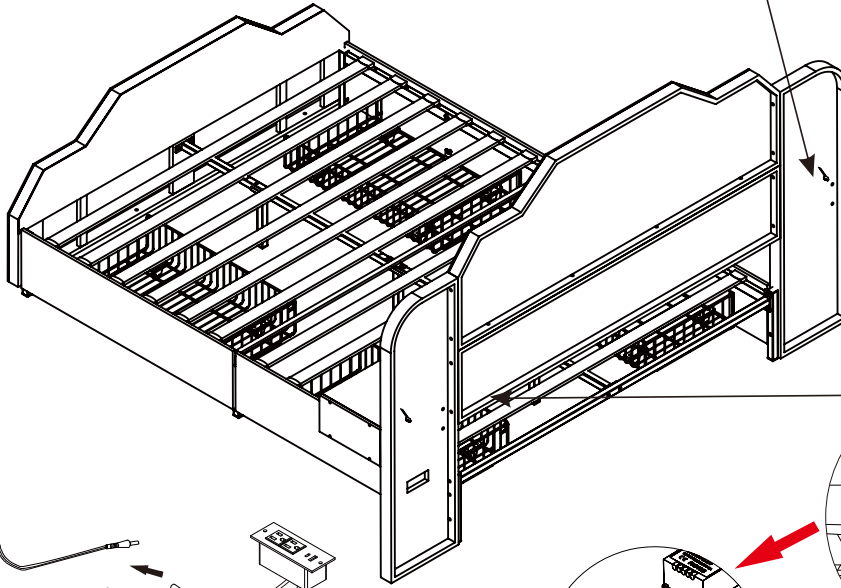
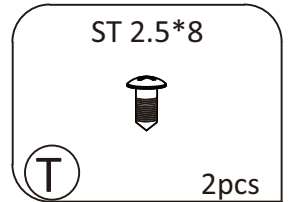
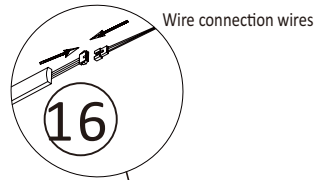
# Steps 16

Please remove the film from the mirror

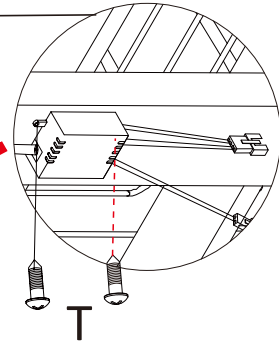
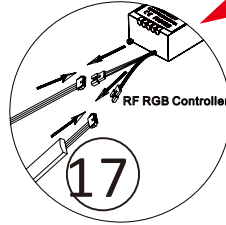


# Steps 17

The male end of the lamp is connected to the female end of the connecting cable



Connecting Cables The female end is connected to the male end of the adapter



Concentrate the wiring on the side with the strip

# Steps 18

