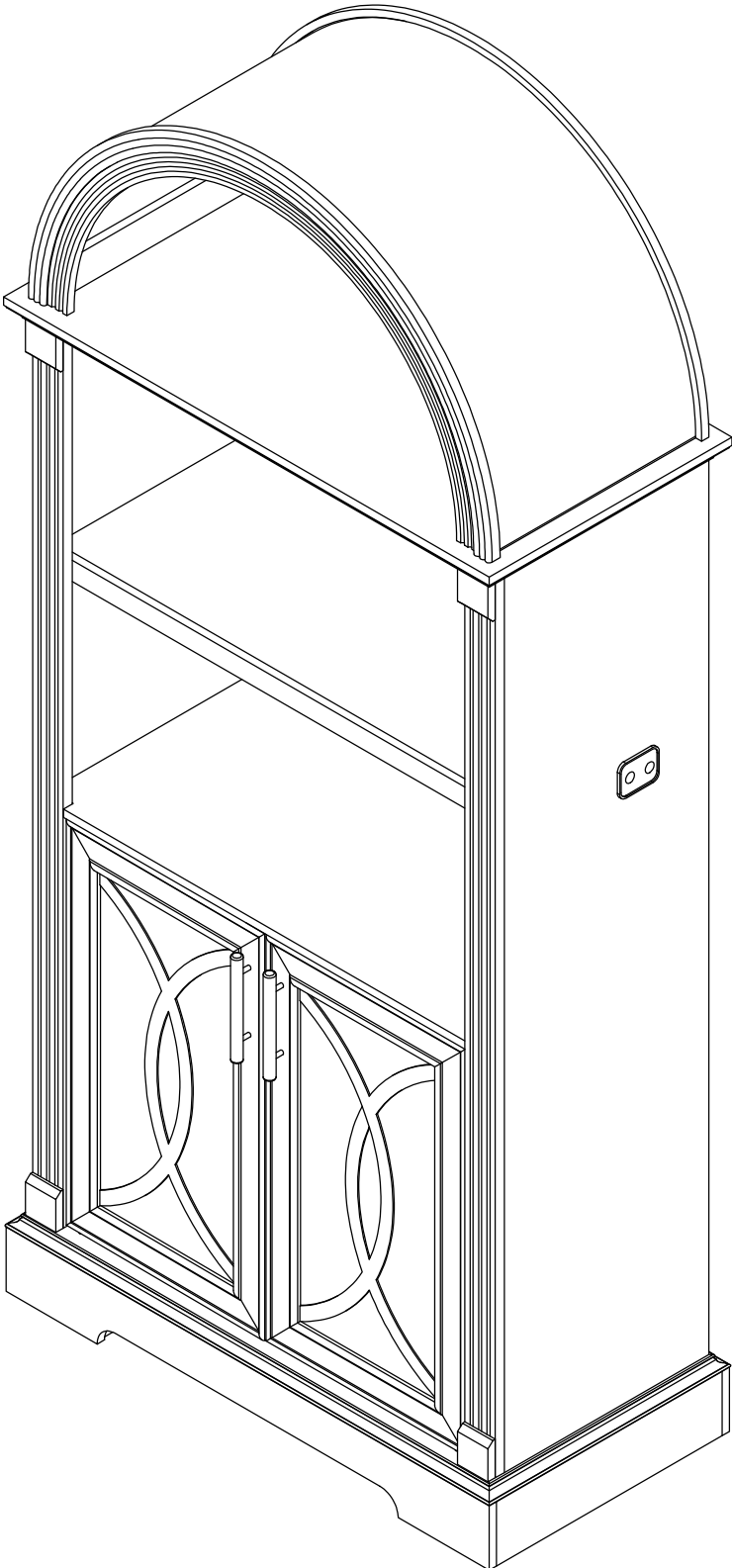
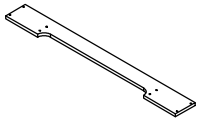
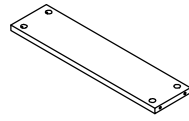


# Product Installation Instructions

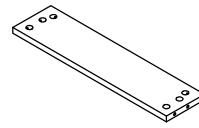




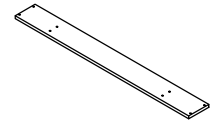
A x1



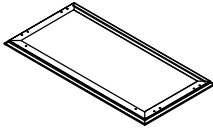
B x2



C x2



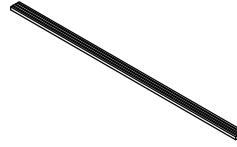
D x1



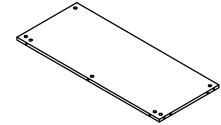
E x1



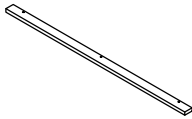
F x1



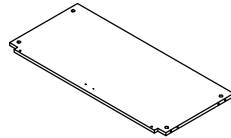
G x2



H x1



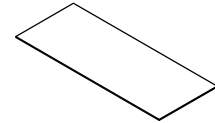
I x1



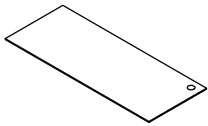
J x1



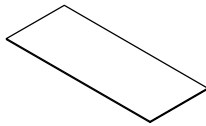
K x1



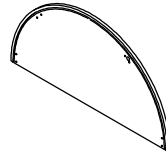
L x2



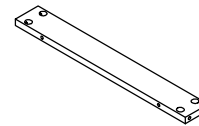
M1 x1



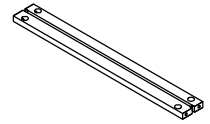
M2 x1



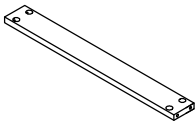
N x1



O x2



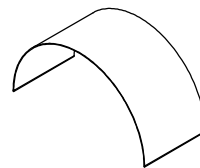
P<sub>1</sub>x1



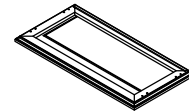
P<sub>2</sub>x1



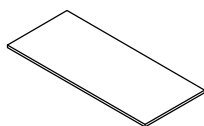
Q x1



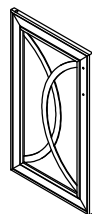
R x1



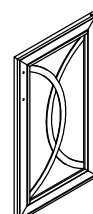
S x1



T x1

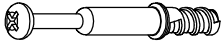







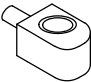


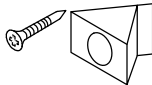


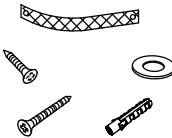
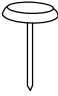
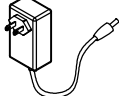
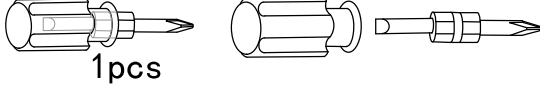


U x1

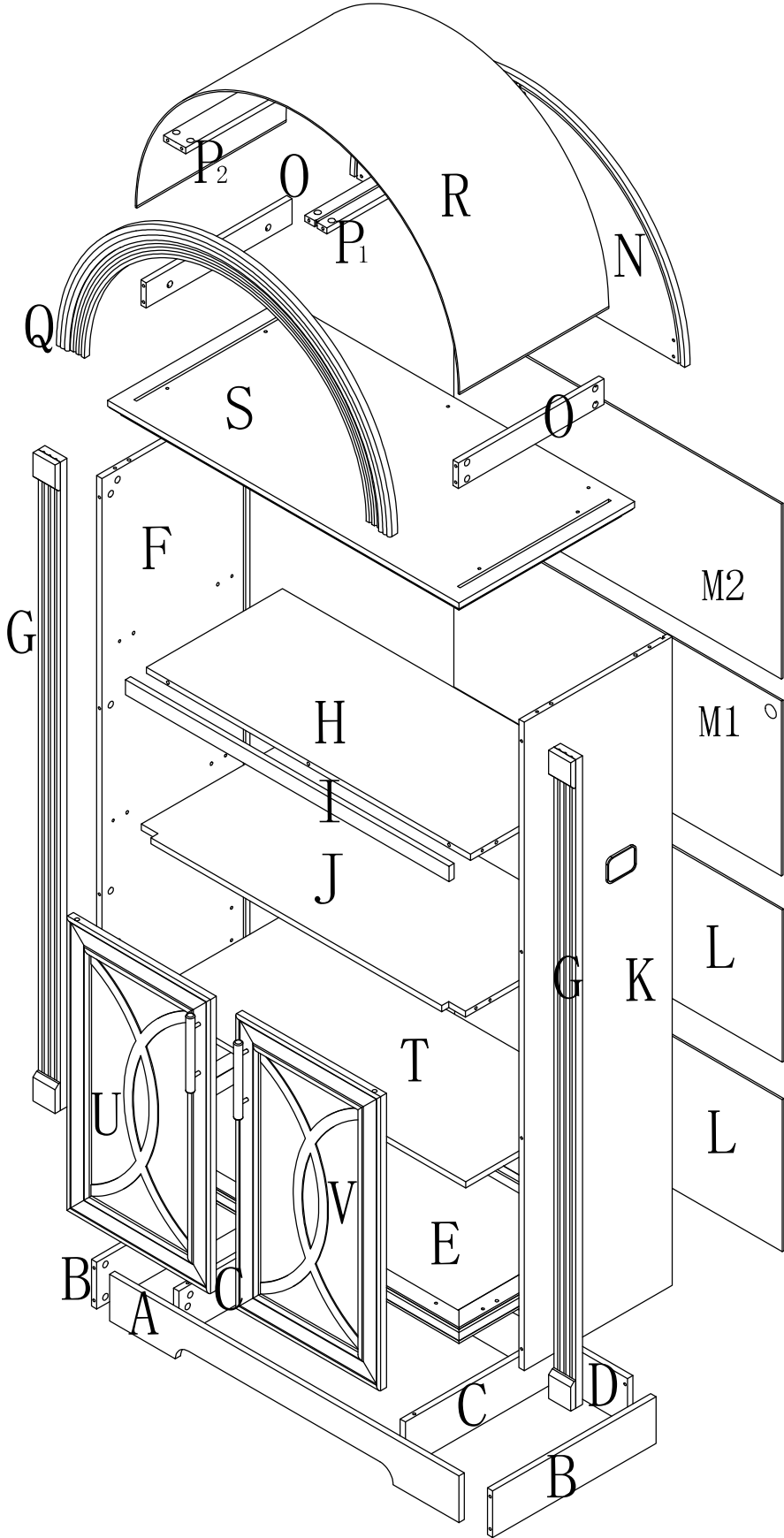


V x1

# Accessories list

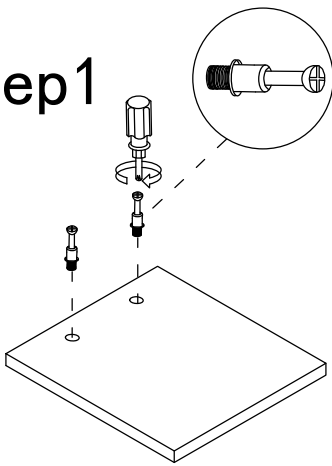
①		Two In One Screw (6x28mm)	70pcs +7pcs		
②		Two In One Nut (10x12mm)	70pcs +7pcs		
③		Wood Chipping (6x30mm)	16pcs +2pcs		
④		Non-slip pads	8pcs +2pcs		
⑤		Magnetic Attraction & Screw (3.5x12mm)	2pcs	4pcs	8pcs +2pcs
⑥		Backboard card strip	1pcs		
⑦		Wire	1pcs		
⑧		Sticker ( Ø20mm )	1pcs	4pcs +2pcs	
⑨		Shelf support	4pcs +1pcs		
⑩		Door shaft	4pcs		
⑪		Handle & screw (4x22mm)	2pcs	4pcs +1pcs	
⑫		Fixing clip & screw (3x16mm)	10pcs +2pcs		
⑬		Forked line	1pcs		
⑭		Wire Clamp	2pcs +1pcs		
⑮		anti-tipping tape Screw & gasket (3.5x12mm) Screw (4x45mm)	1pcs		
			1pcs	2pcs	
⑯		Foot nail	4pcs +2pcs		
	 AC/DC Adapter(12V 2.0A) 1pcs	Double-head screwdriver, use as required  1pcs	2		

# Product structure decomposition

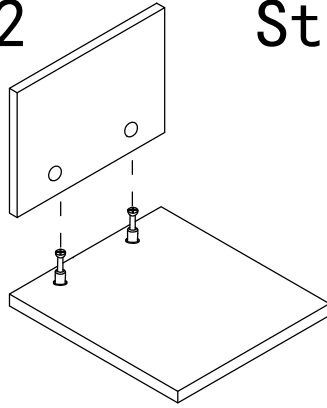


# Screw installation method

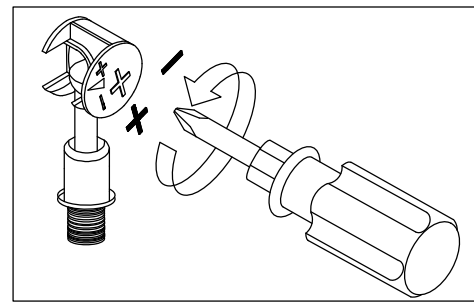
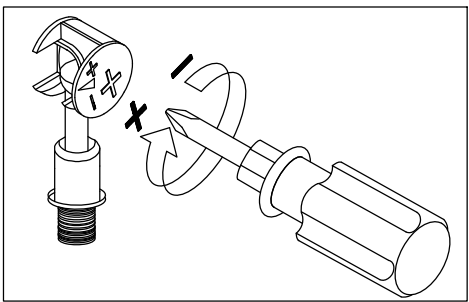
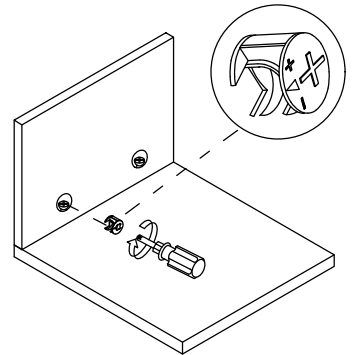
Step1



Step2



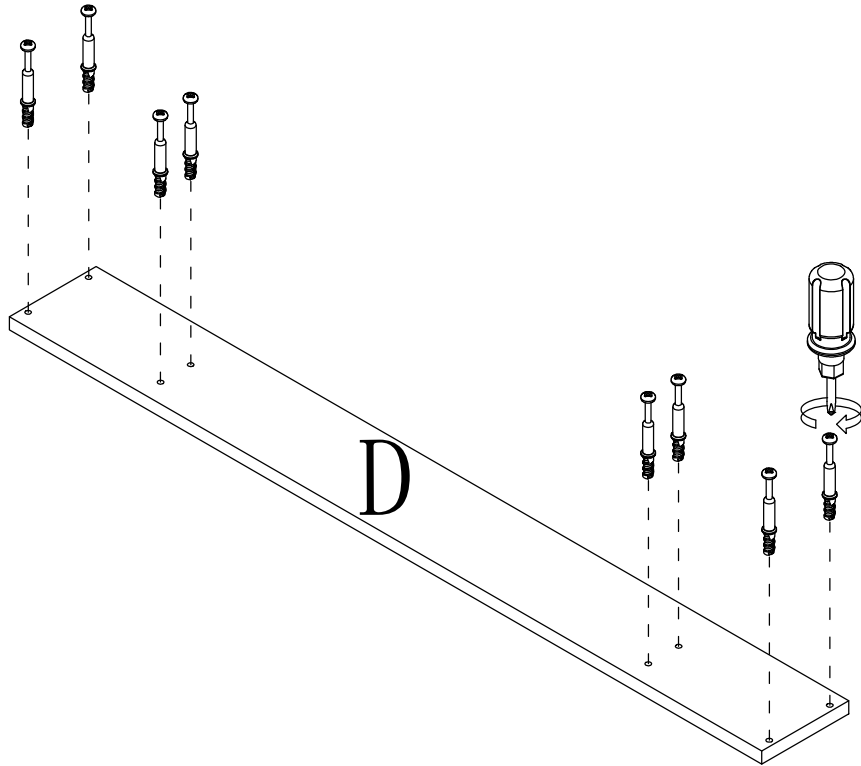
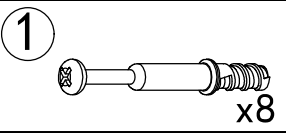
Step3



Use a screwdriver to lock in the direction of the "+" sign

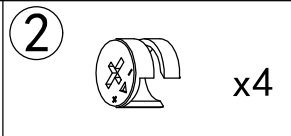
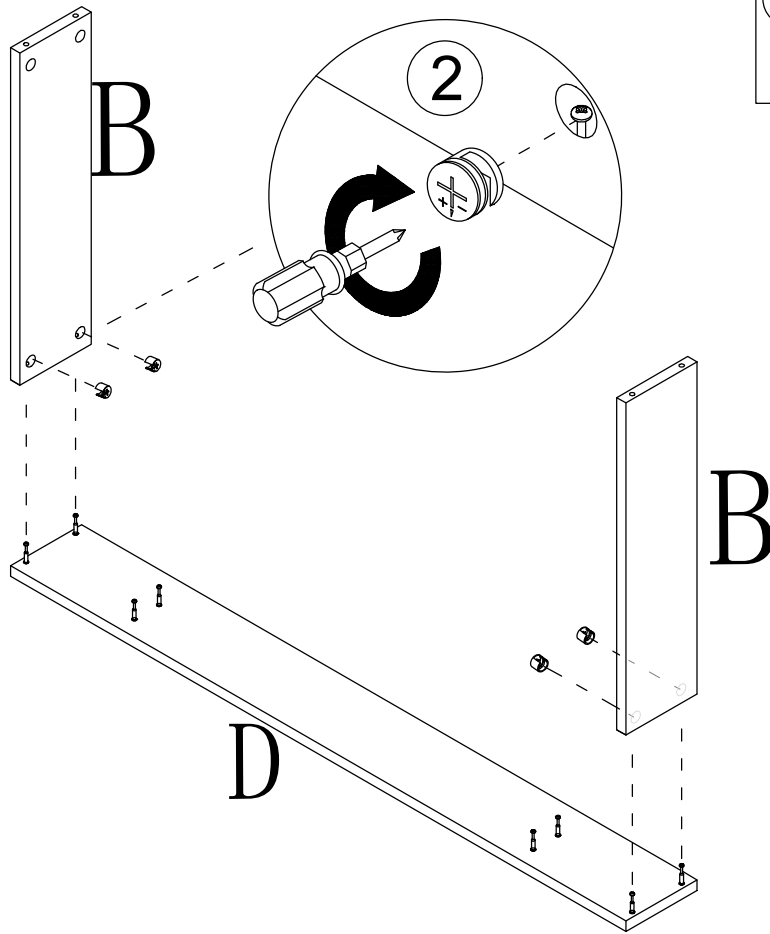
Disassemble along the direction of "-" sign

Step 1

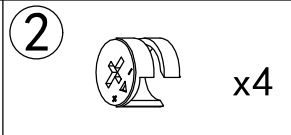
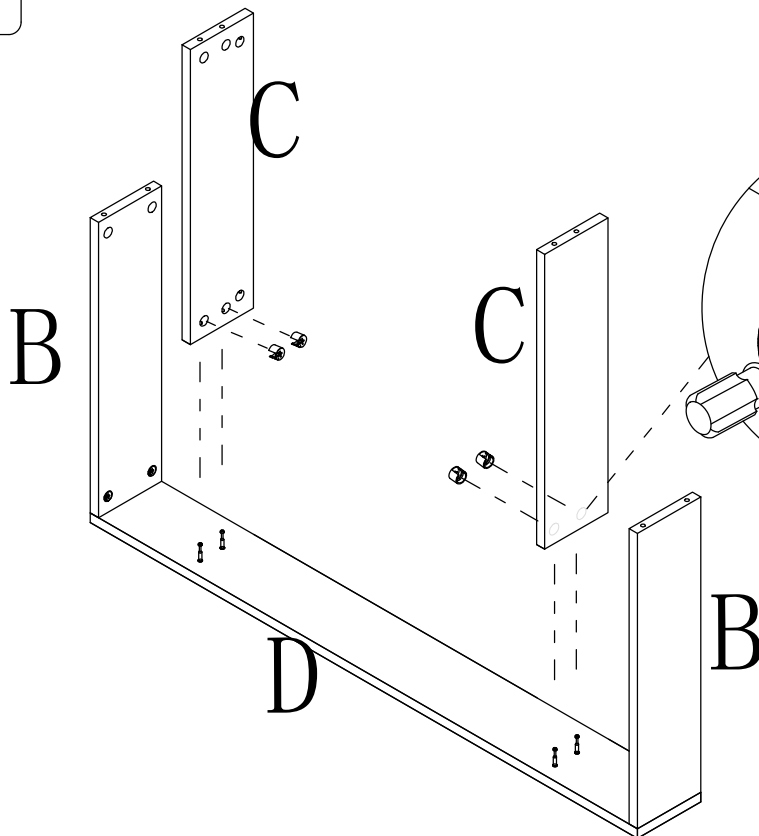


4

Step 2

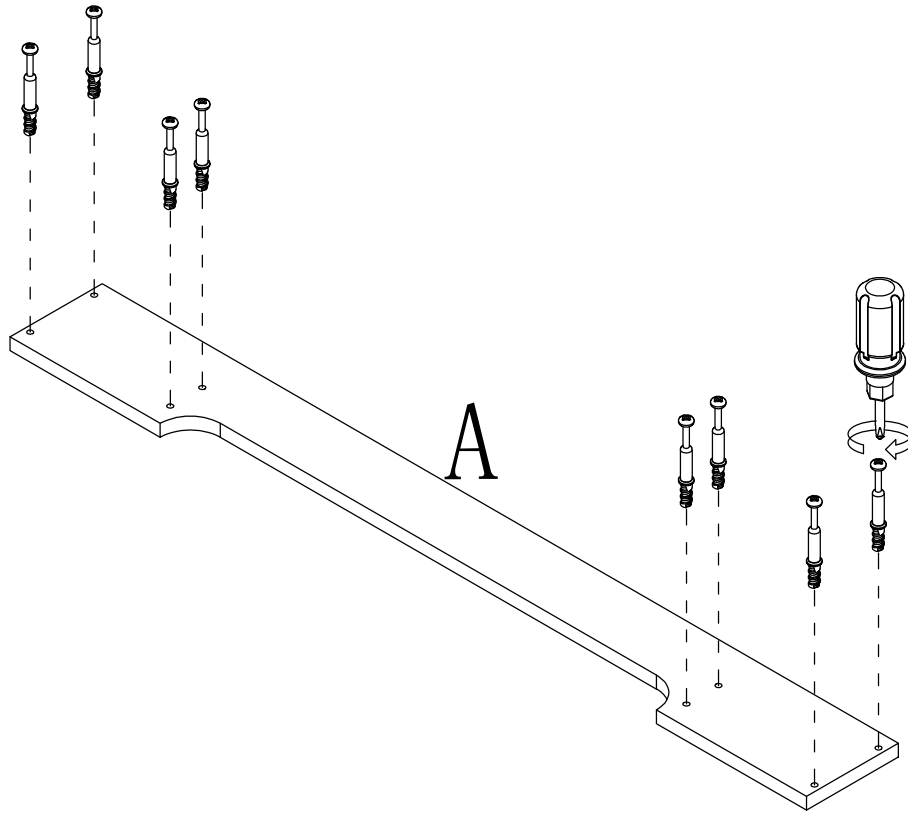
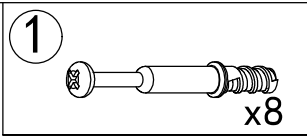


Step 3

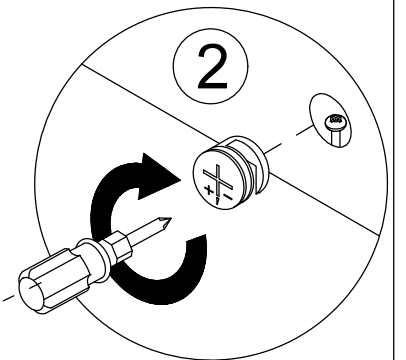
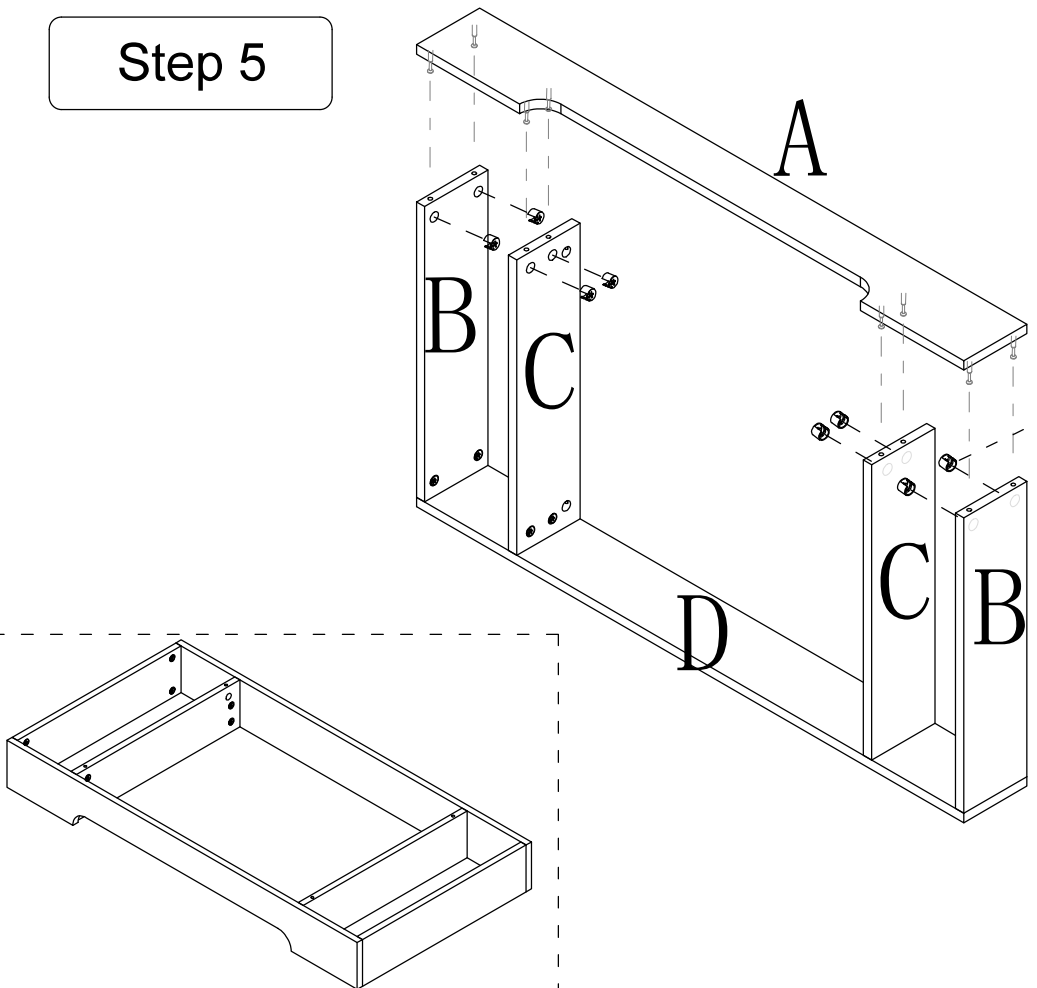
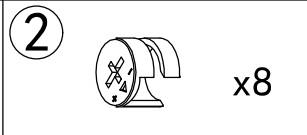


5

Step 4

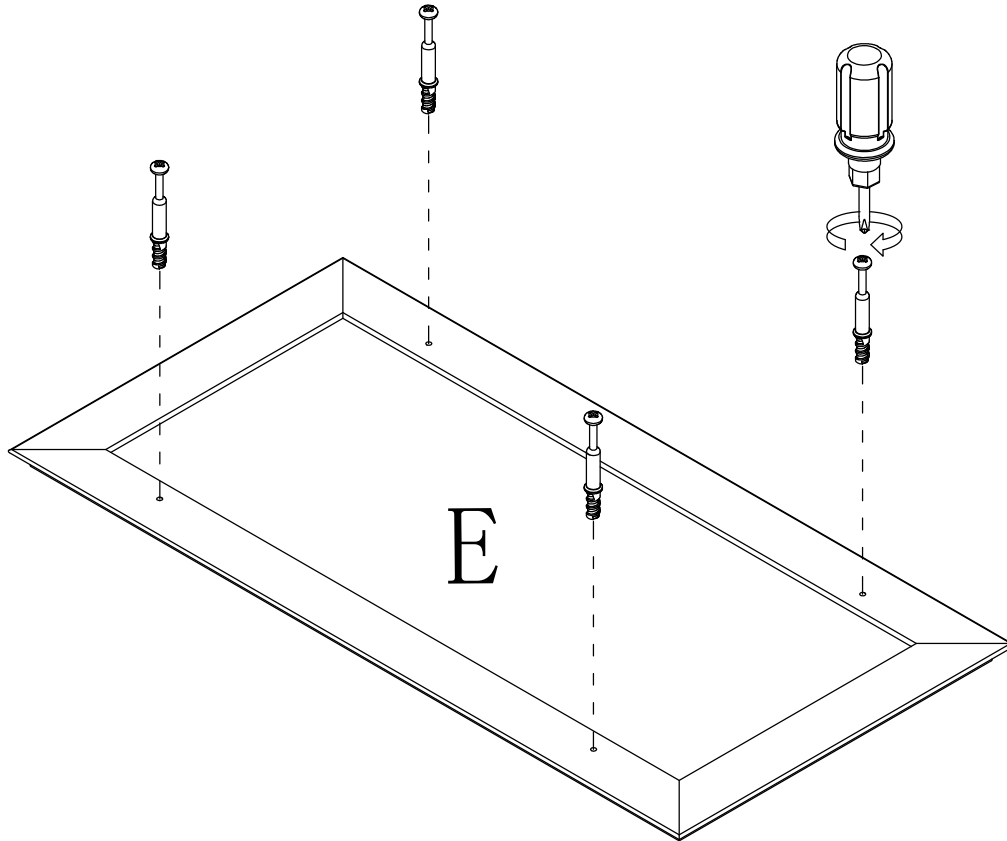
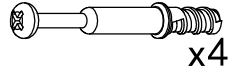


Step 5

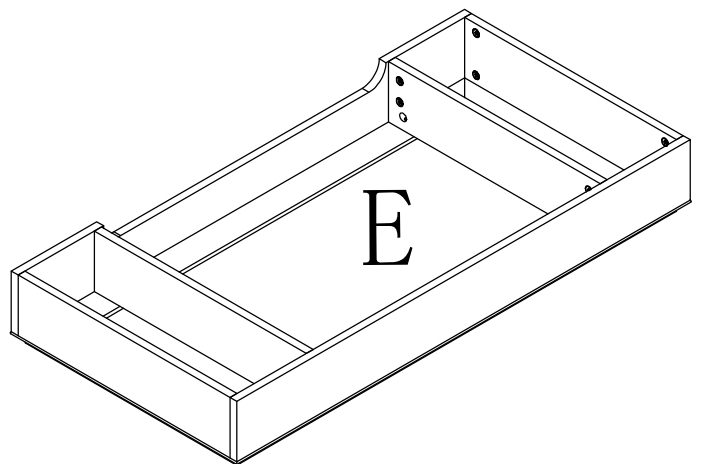
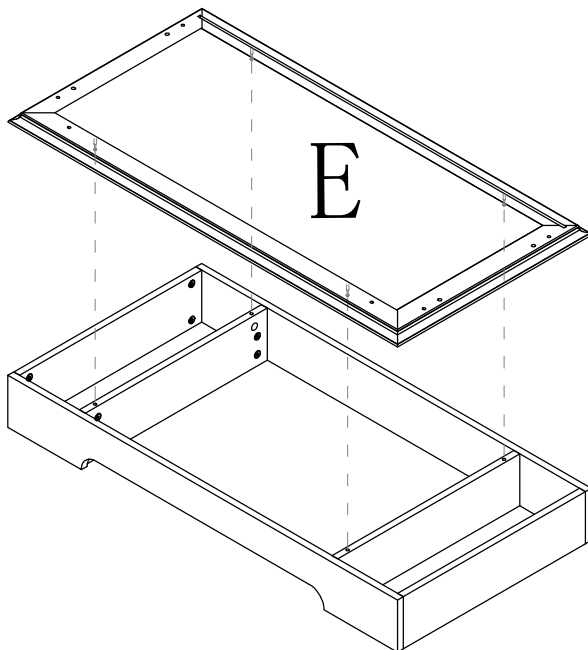
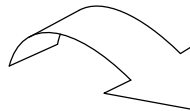


Step 6

1



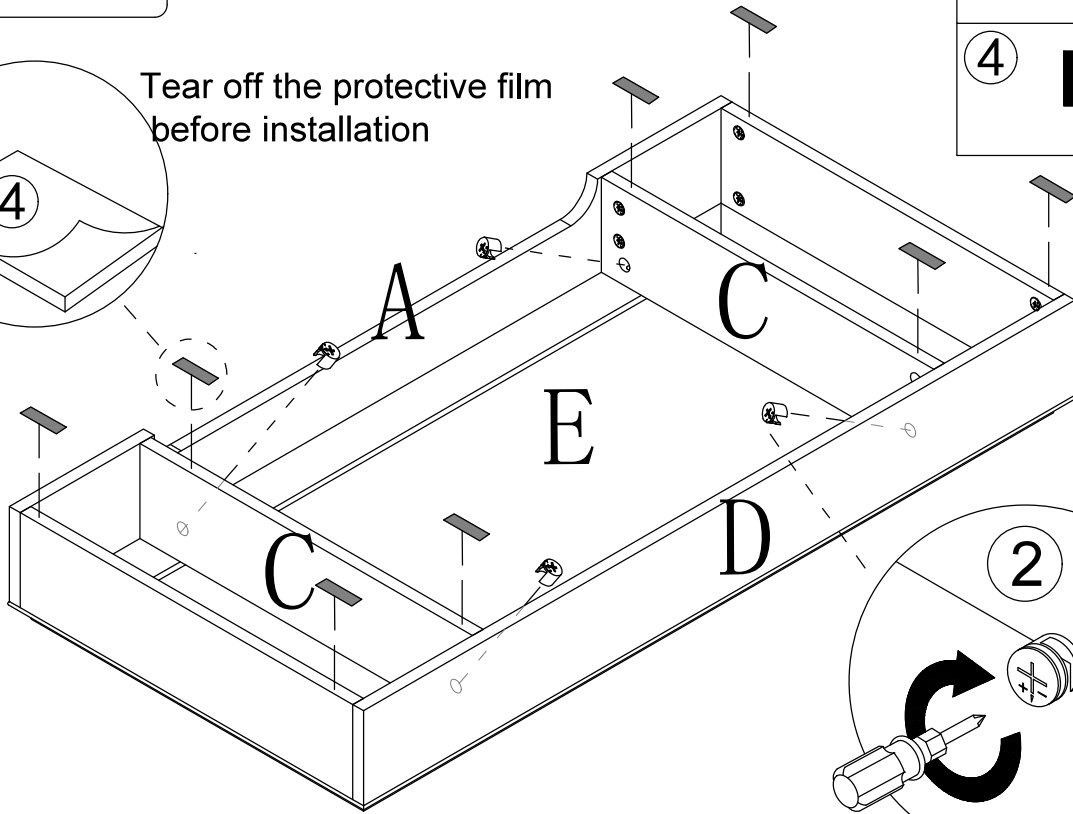
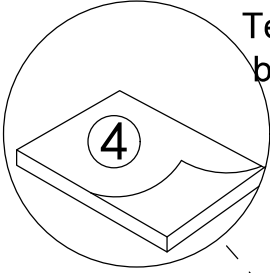
Flip one side





7

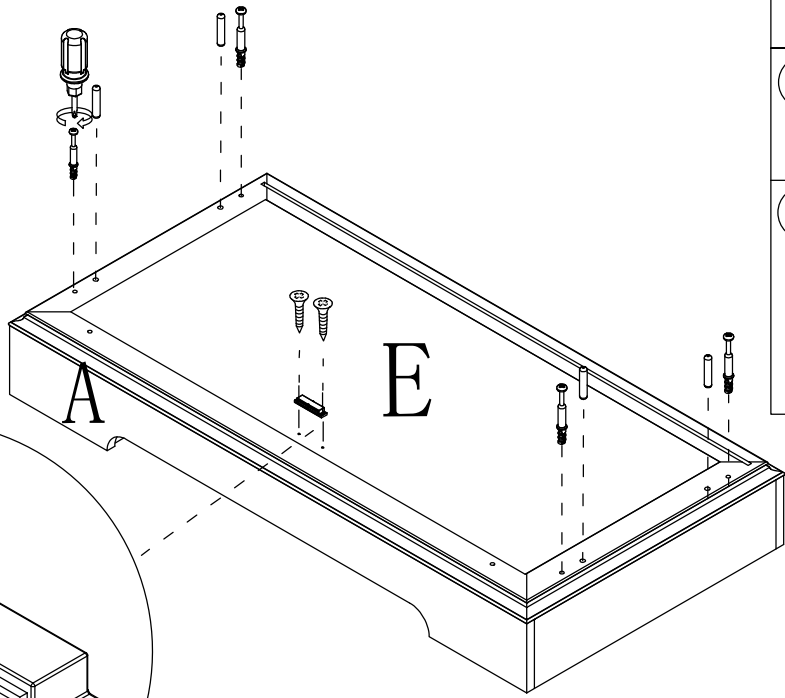
# Step 6

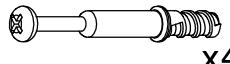

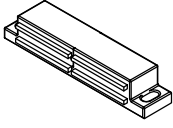

Tear off the protective film before installation

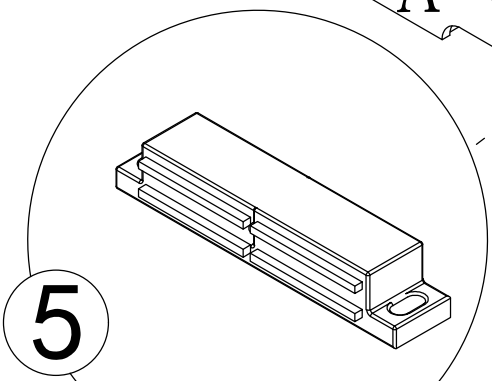


- ②  x4
- ④  x8

# Step 7



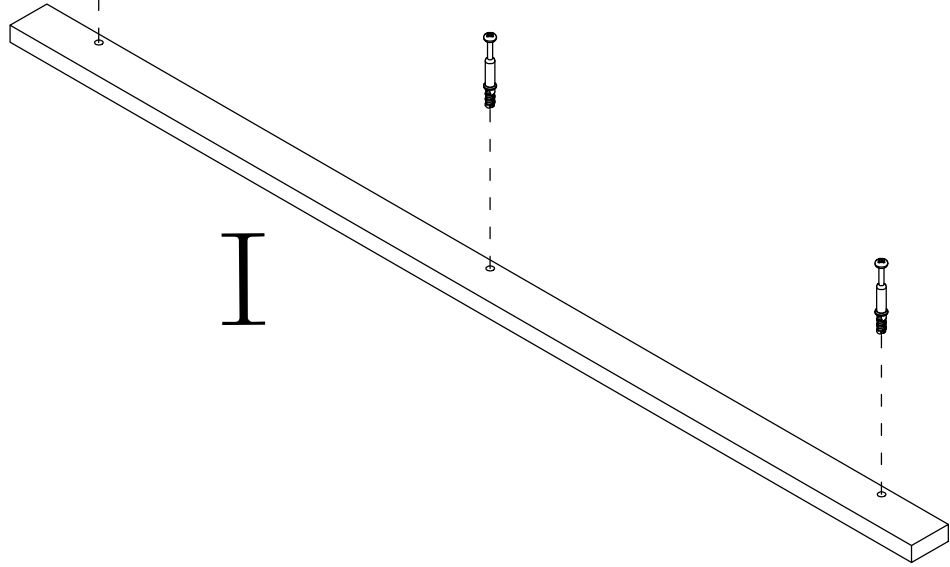
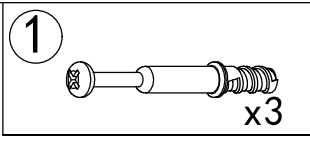
- ①  x4
- ③  x4
- ⑤  x1
-  x2



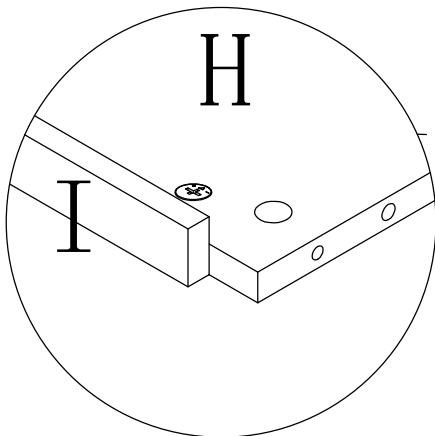
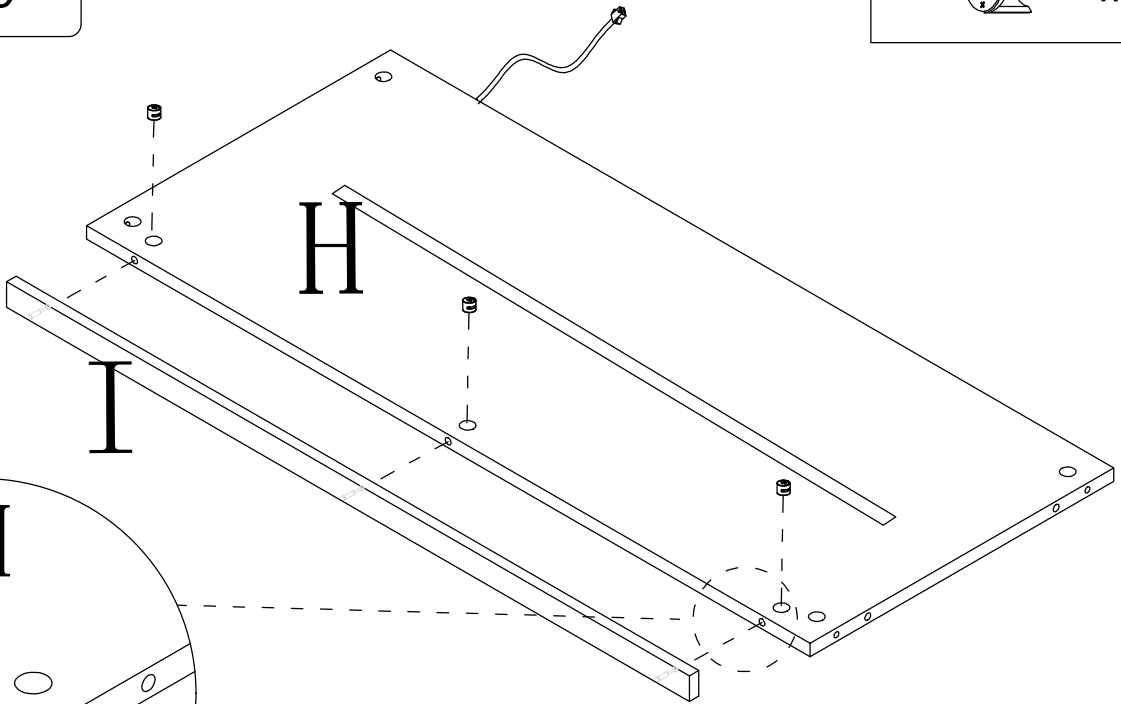
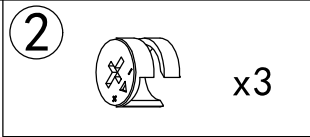
5

Pay attention to magnets' orientation

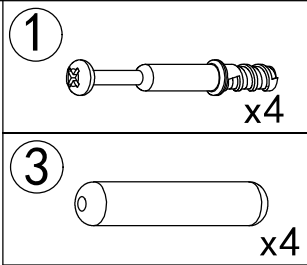
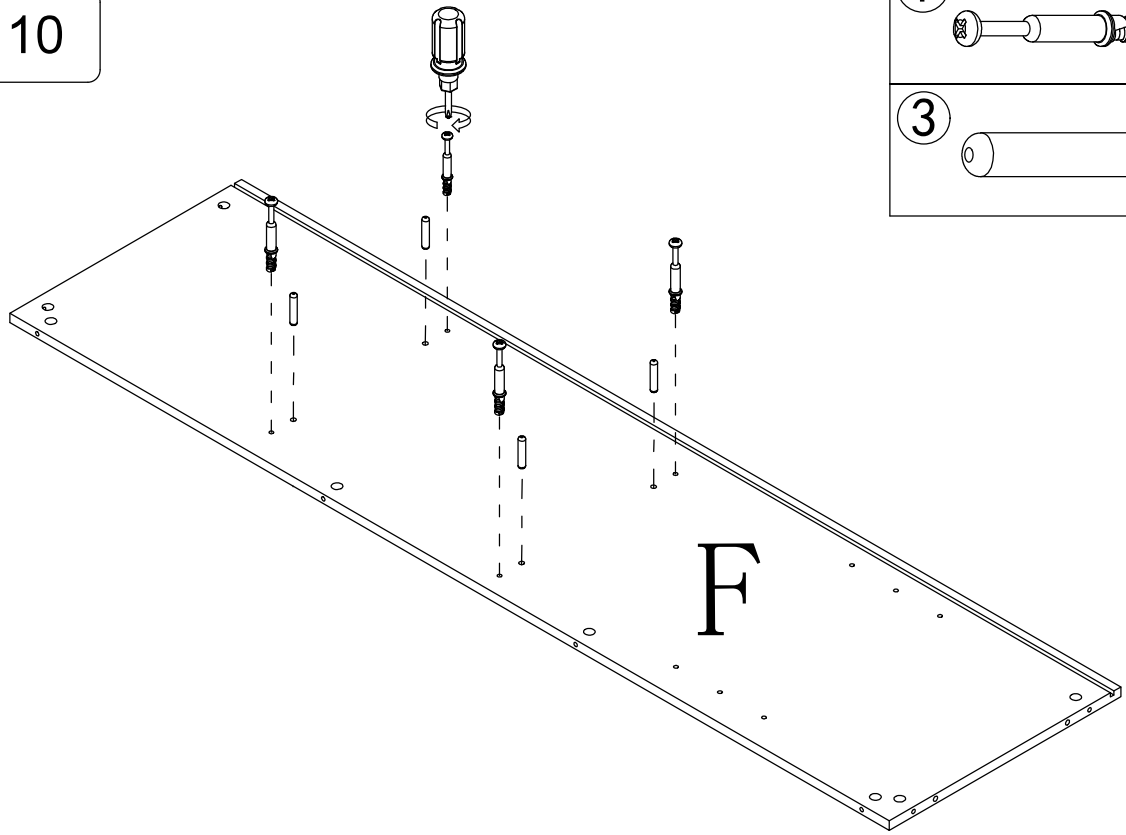
Step 8



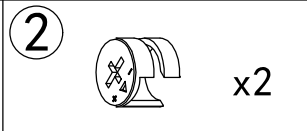
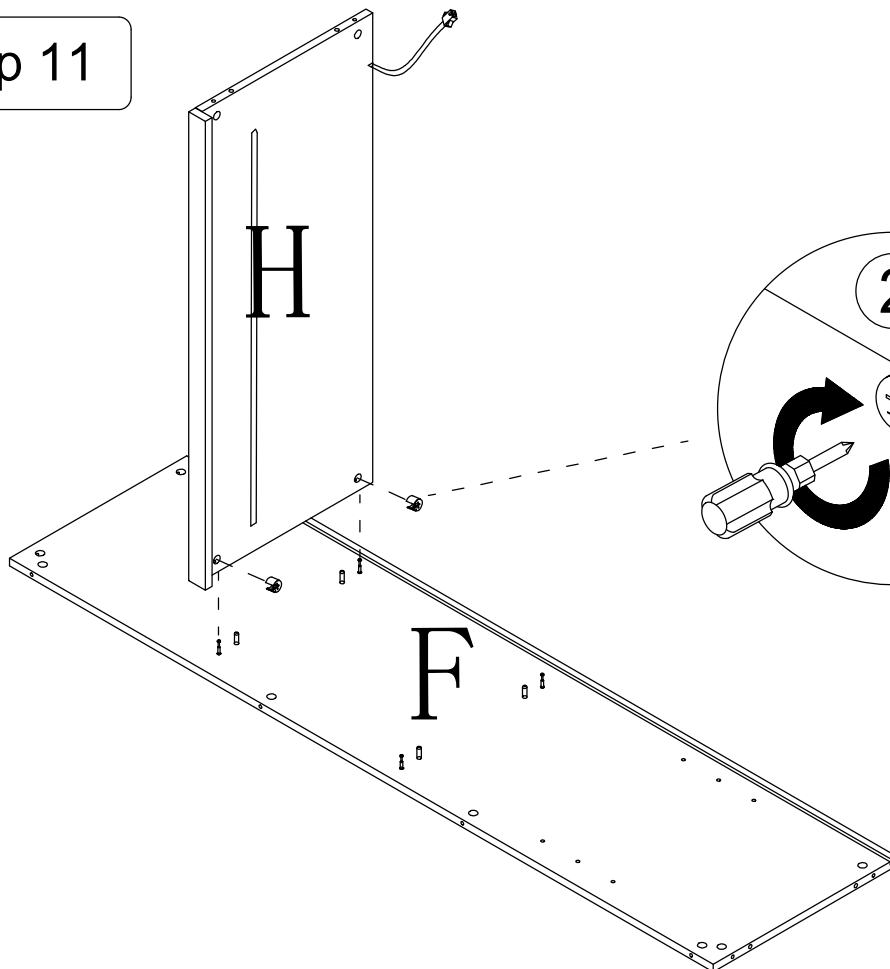
Step 9



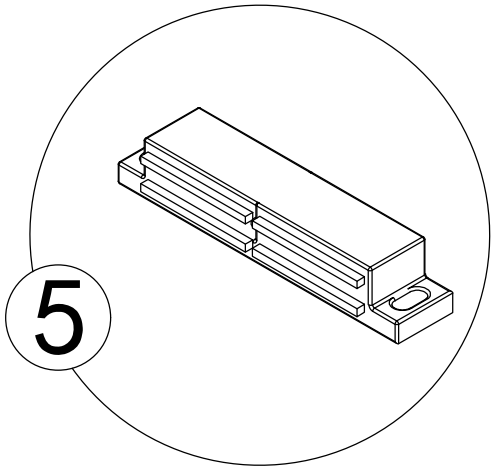
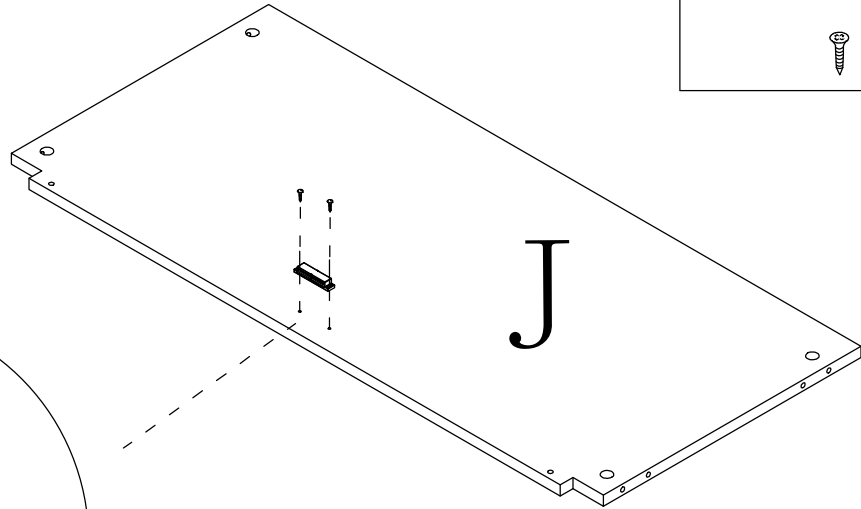
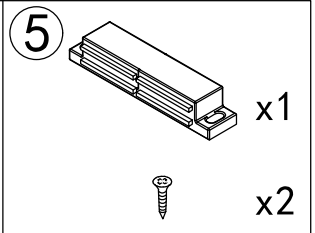
Step 10



Step 11

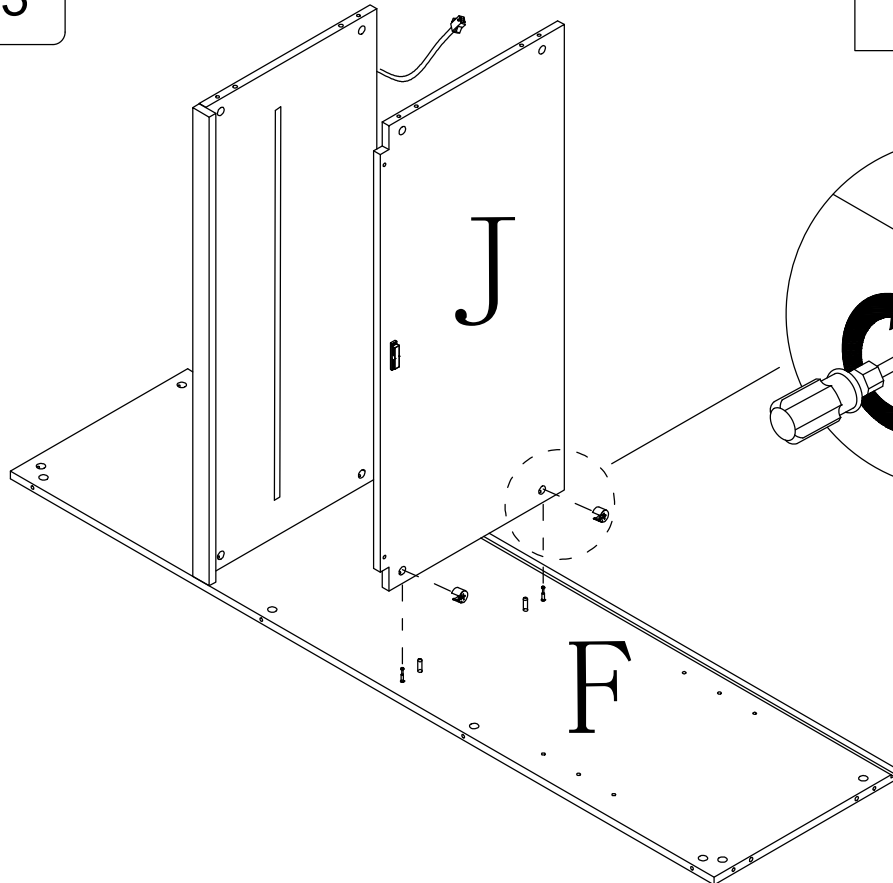


# Step 12



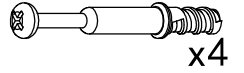
Pay attention to magnets' orientation

# Step 13

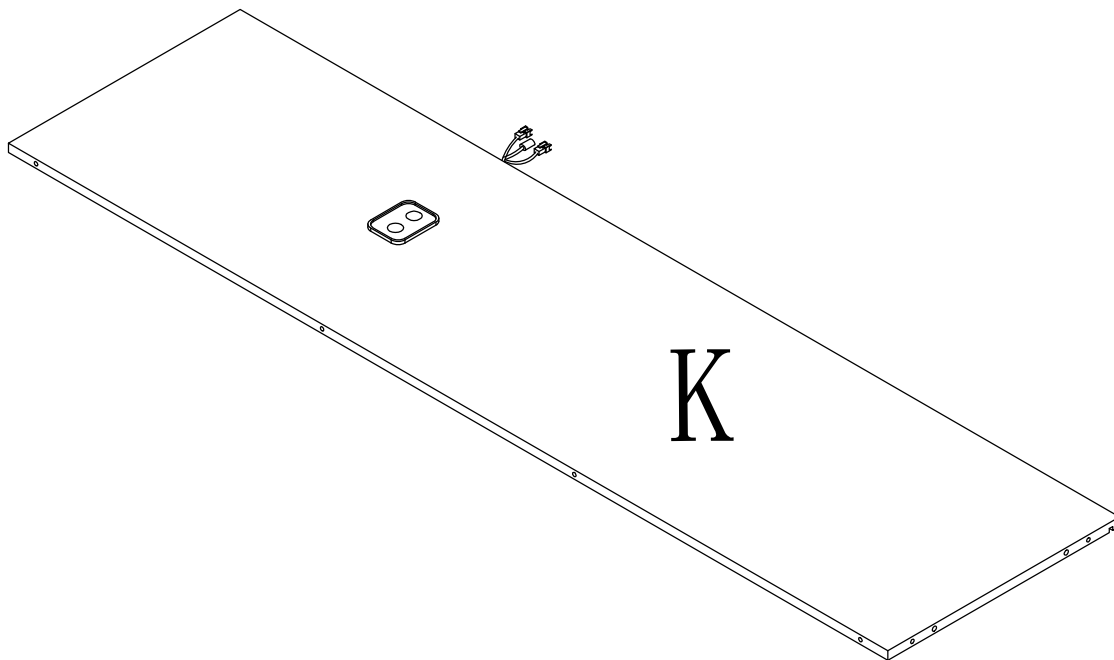
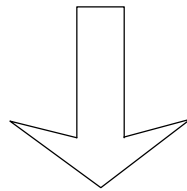
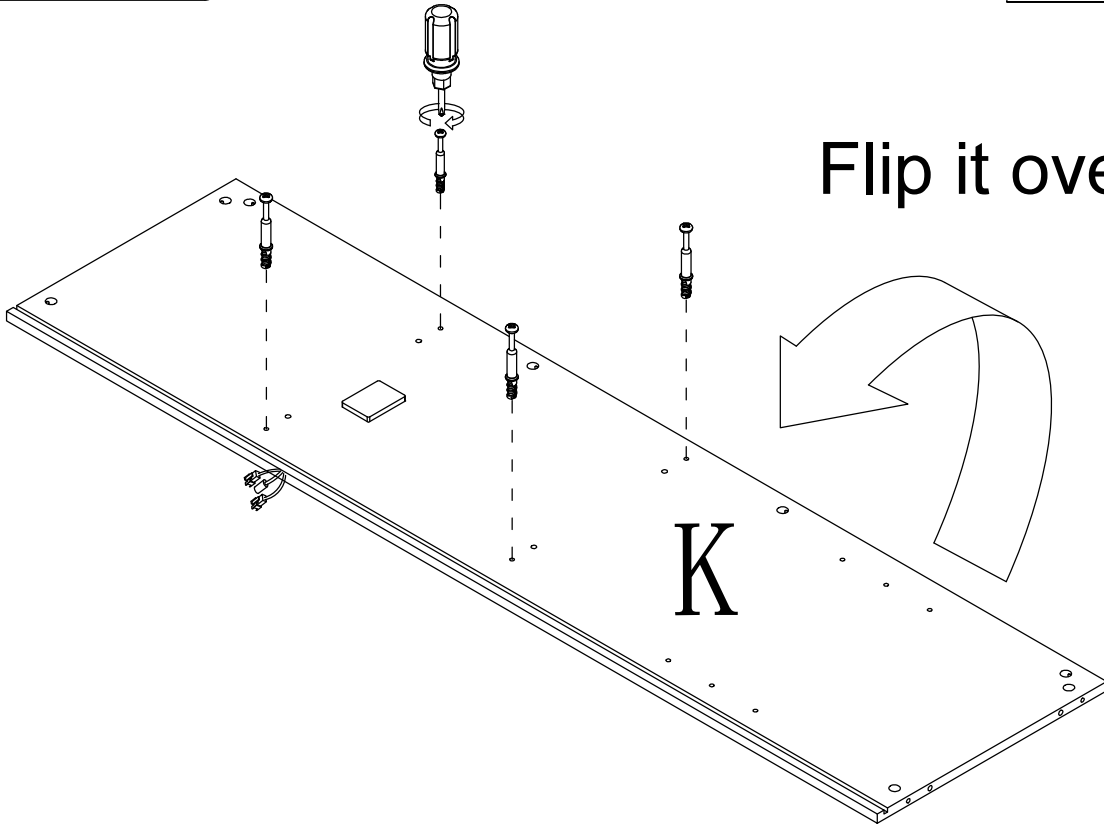


Step 14

1





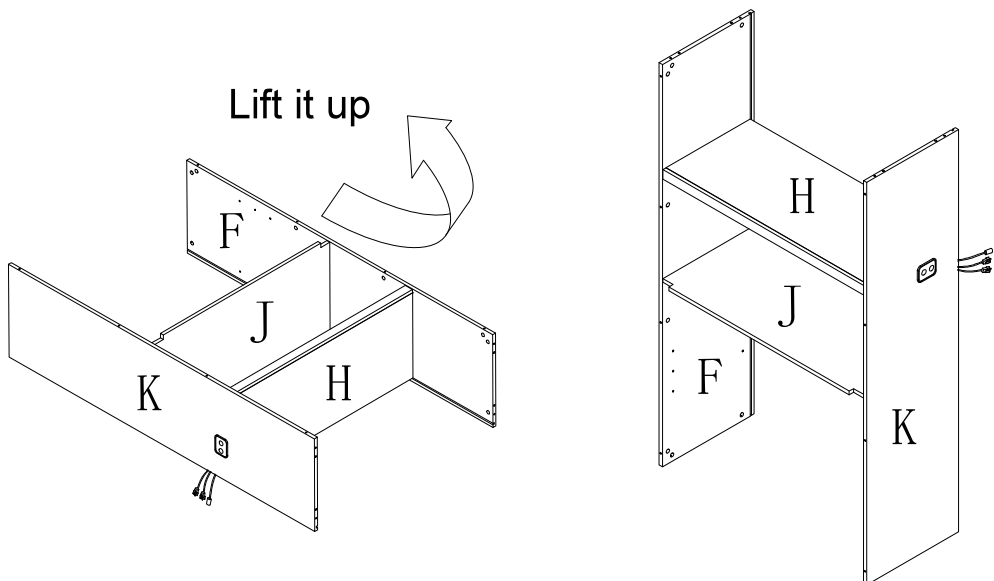
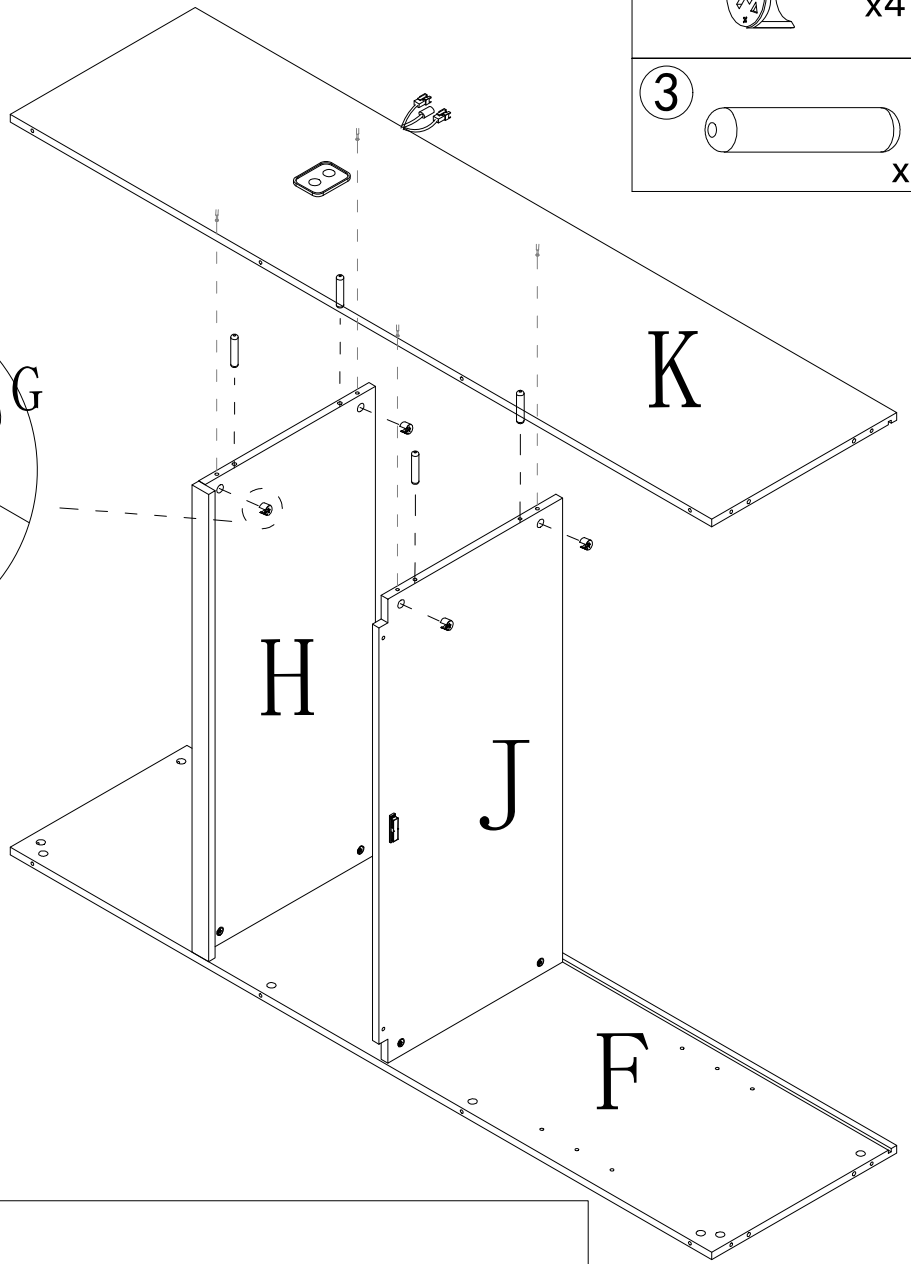
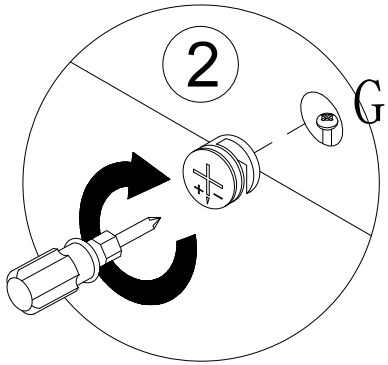
Flip it over



12

# Step 15

- ②  x4
- ③  x4

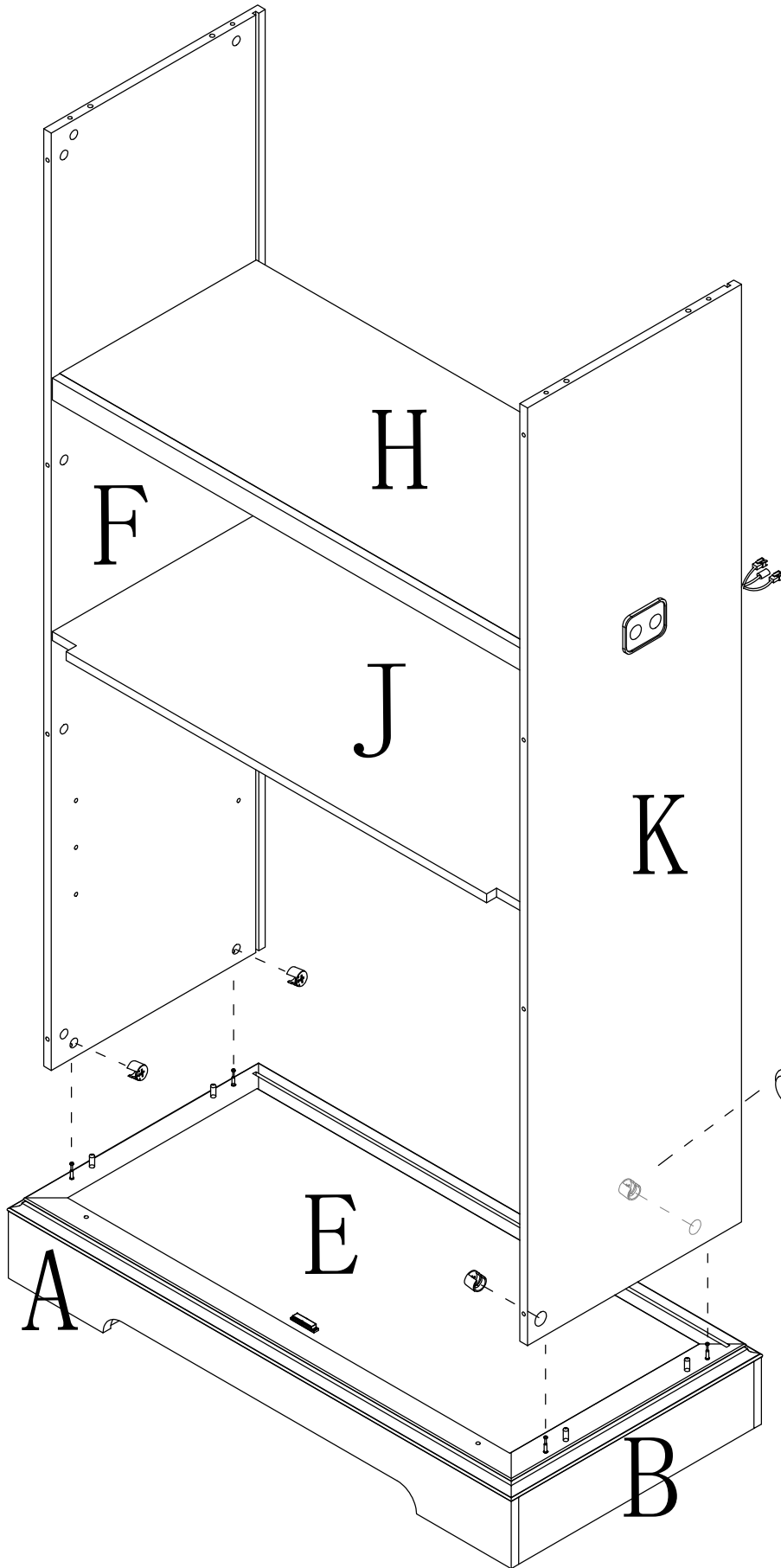


Step 16

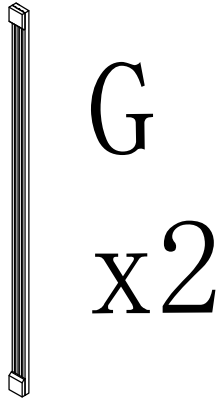
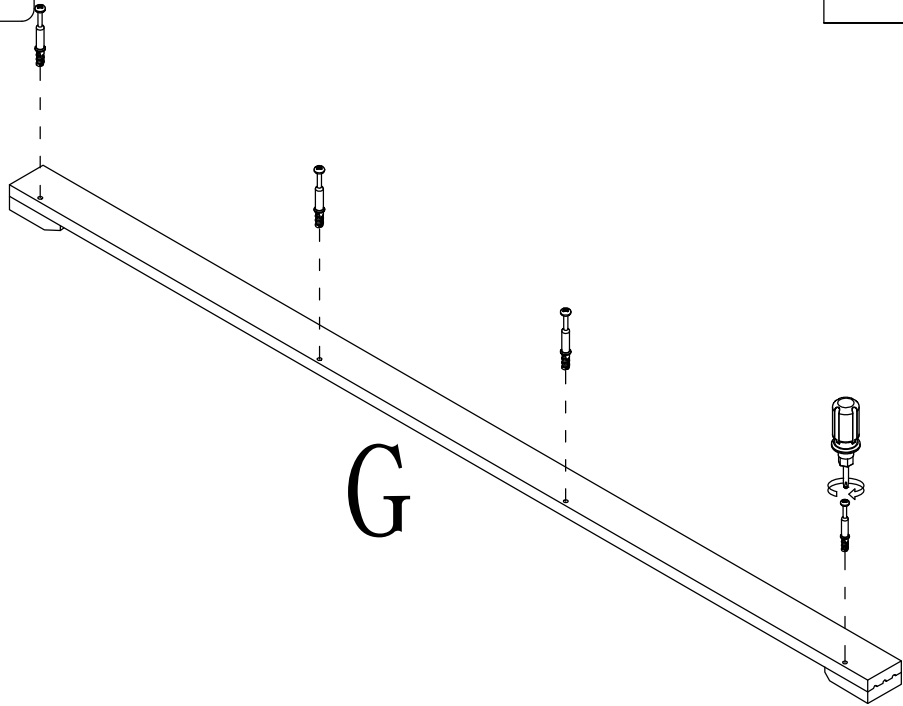
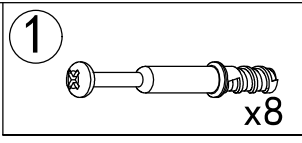
2



x4

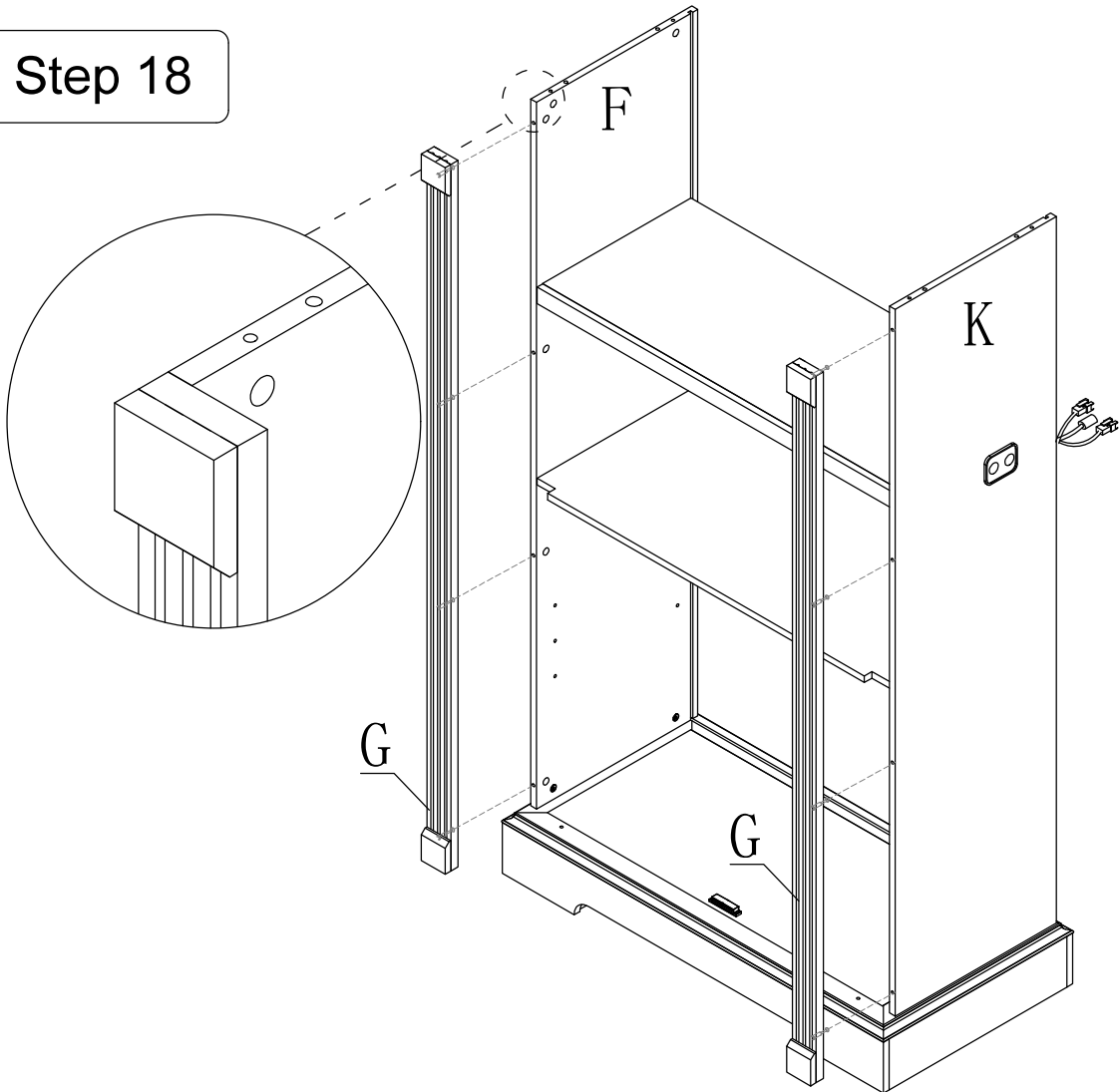


Step 17



G  
x2

Step 18

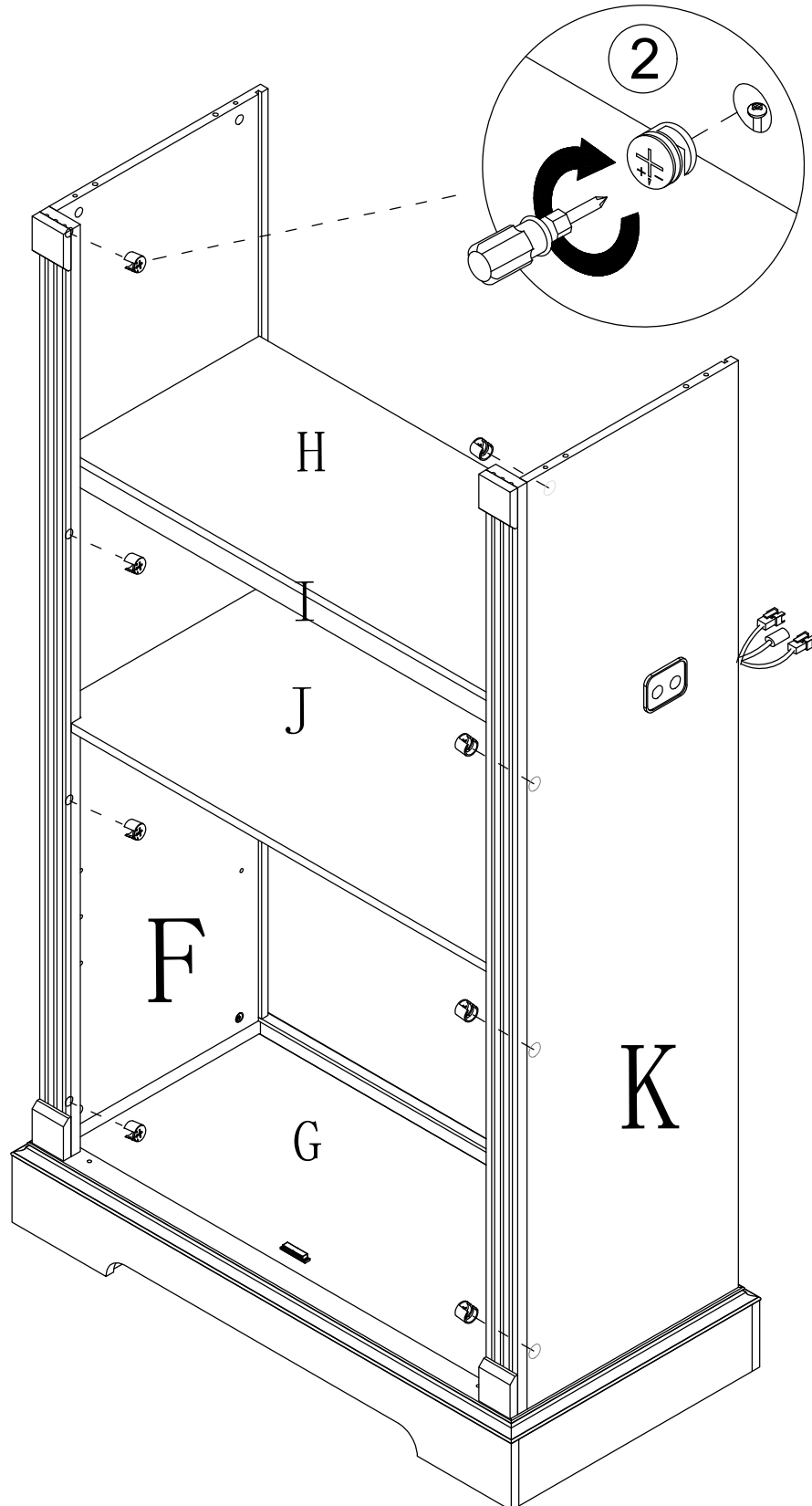


Step 19

2

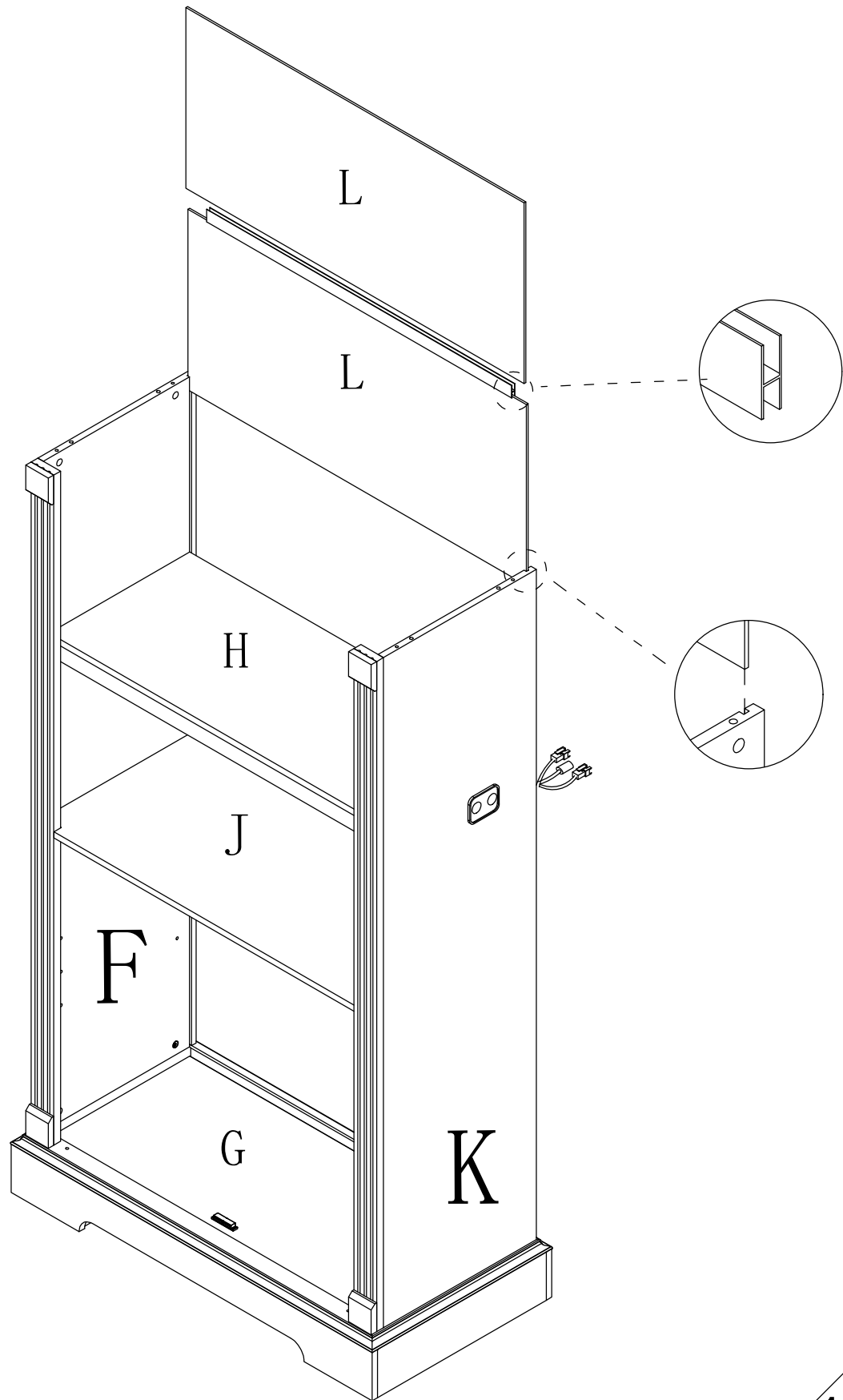


x8

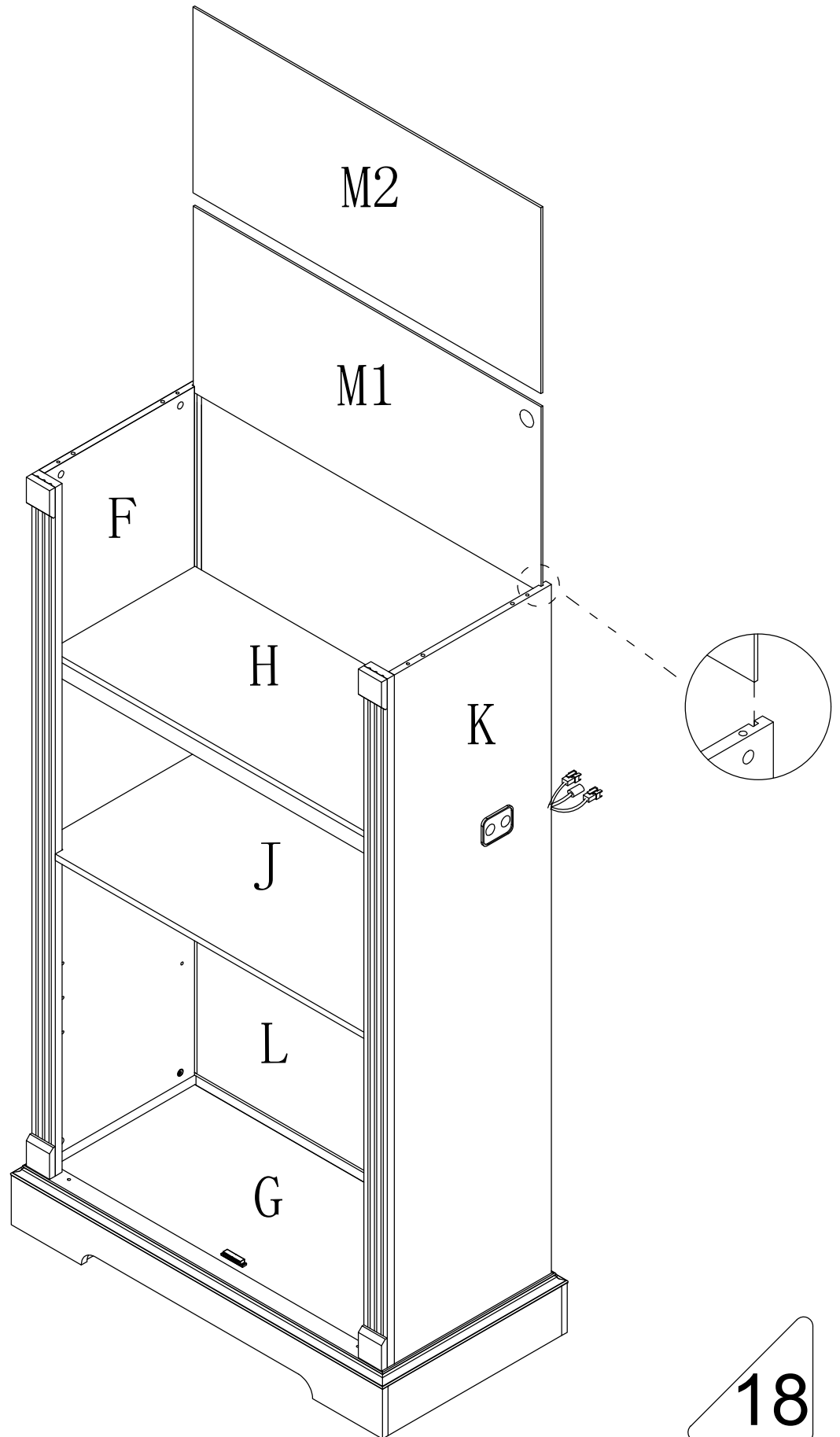


Step 20

6  
x1

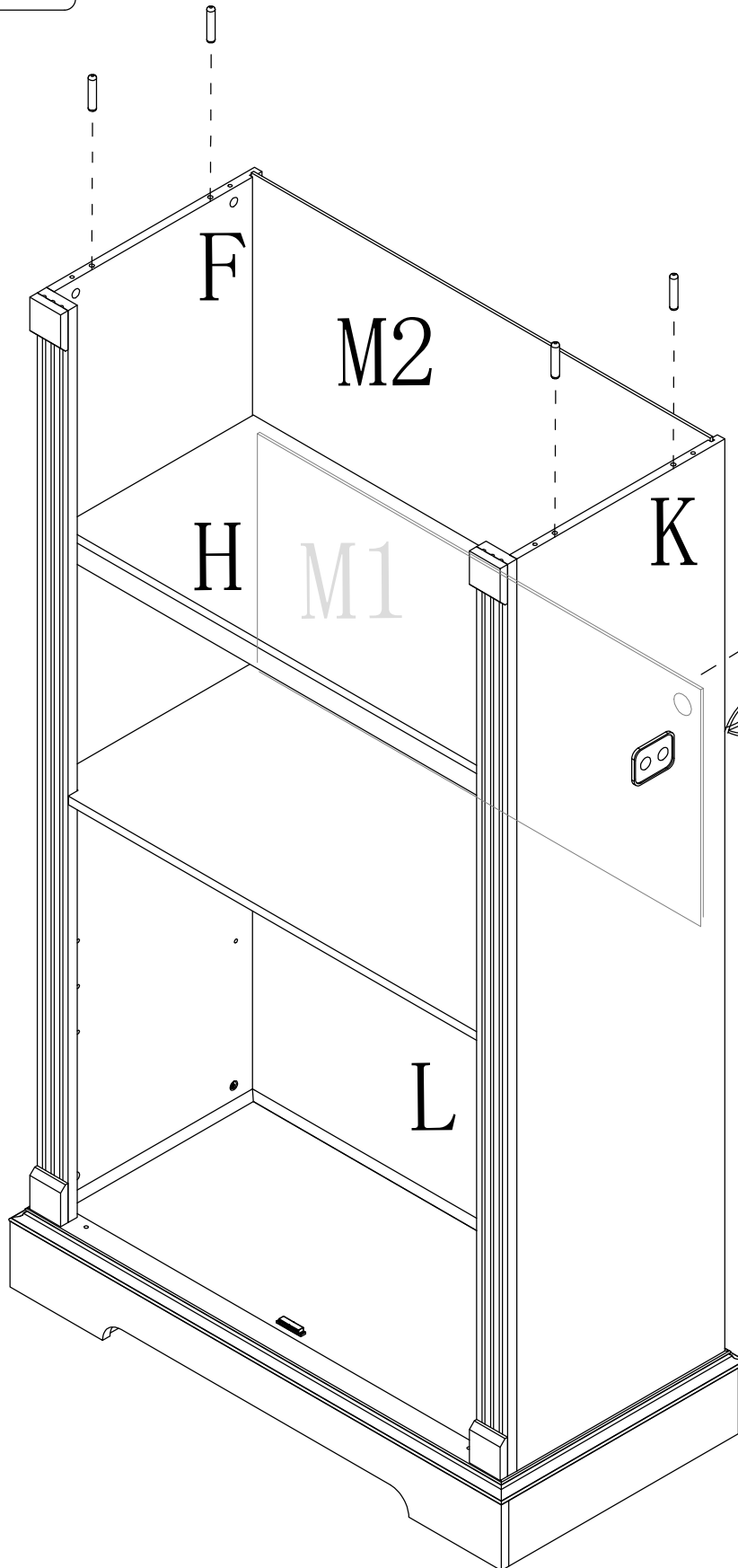


Step 21

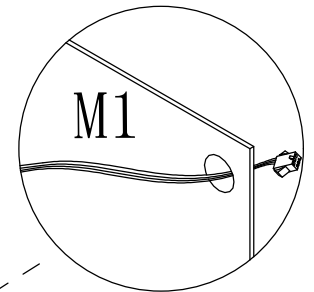


Step 22

3

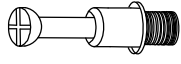



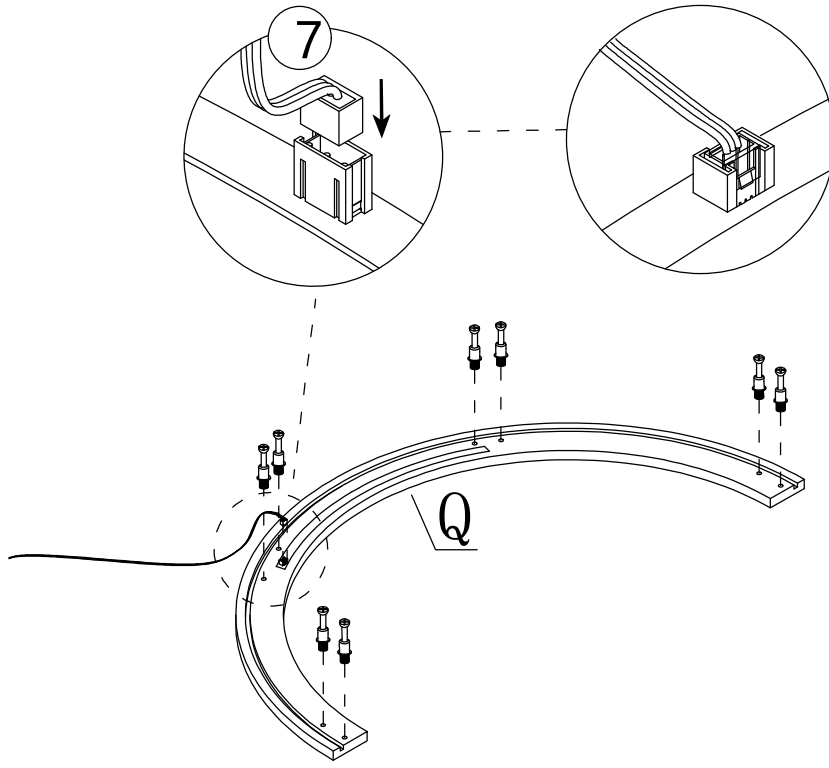
Passing through  
the hole of plate M1



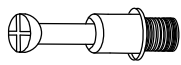
Step 23

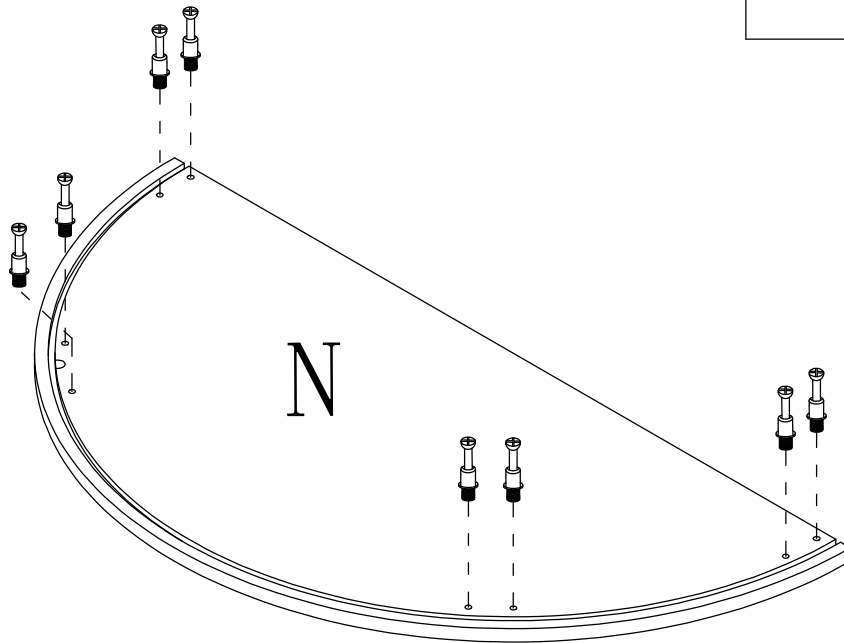
Connect the light cable socket

- 1  x8
- 7  x1



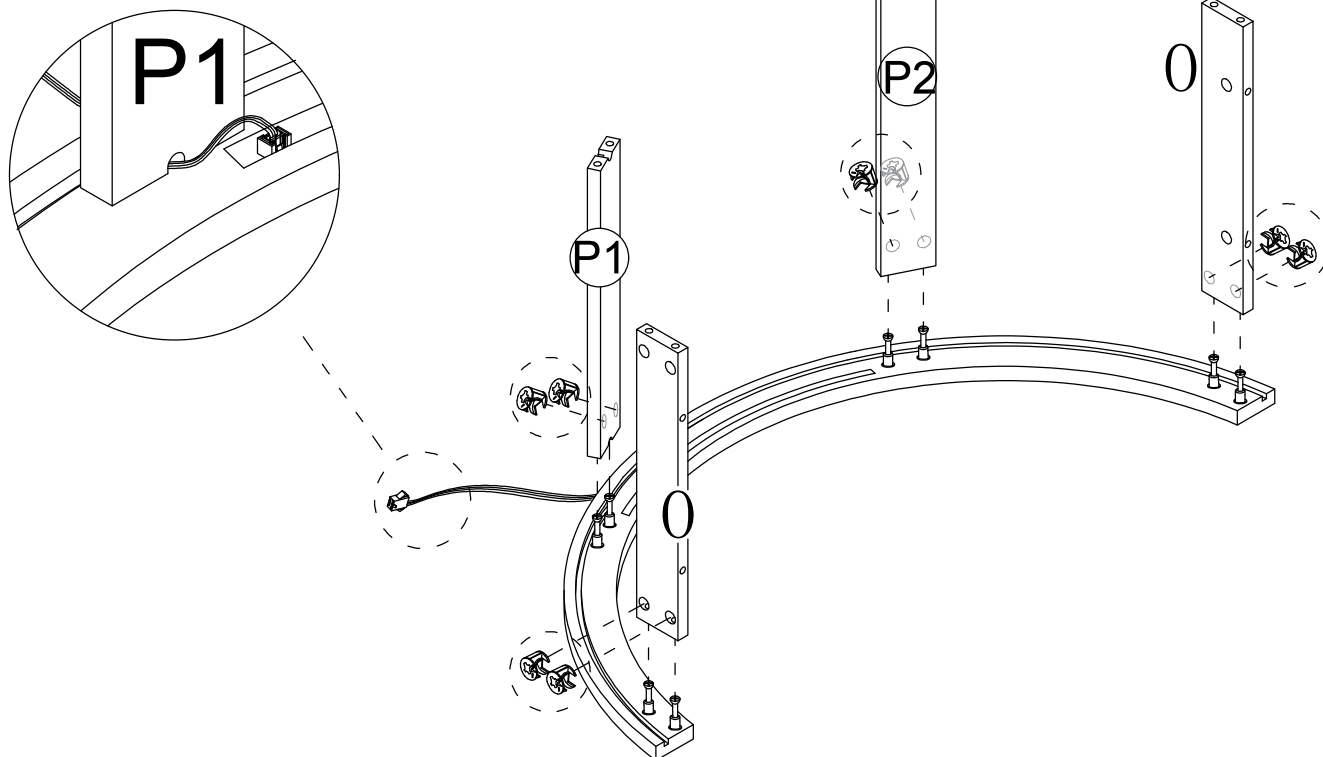
Step 24

- 1  x8



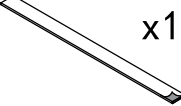
## Step 25

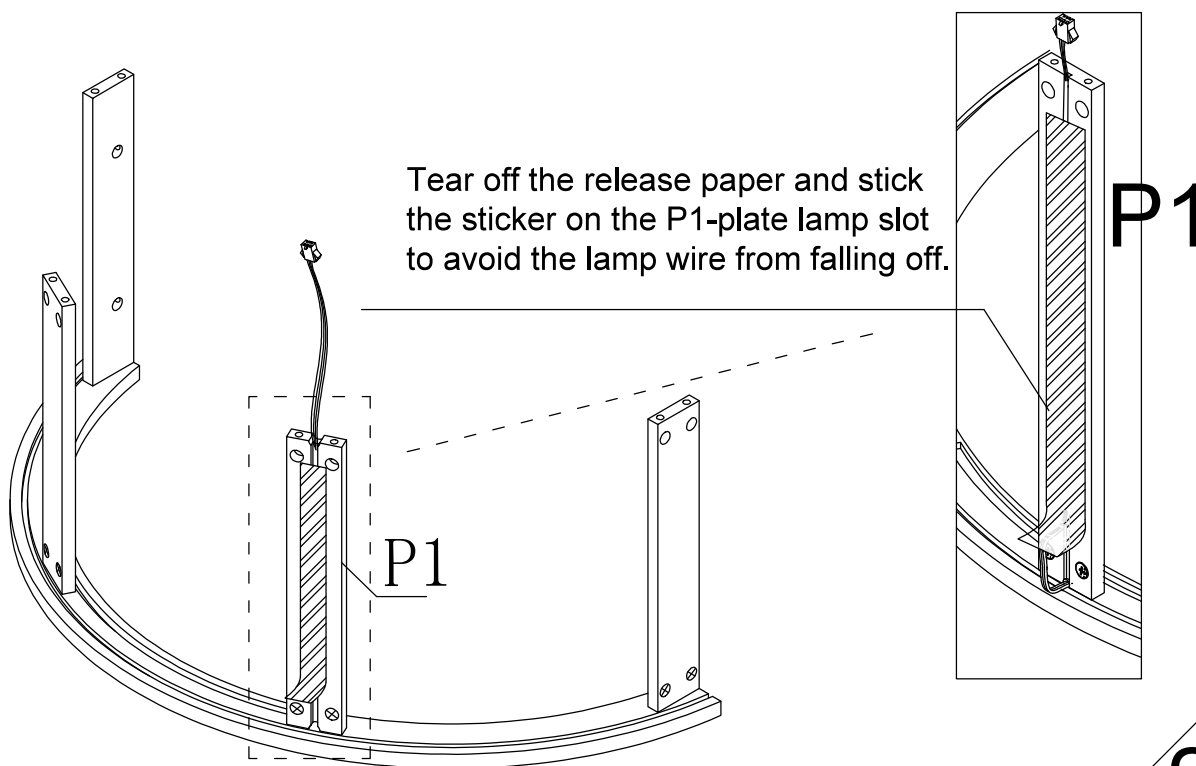
2  x8



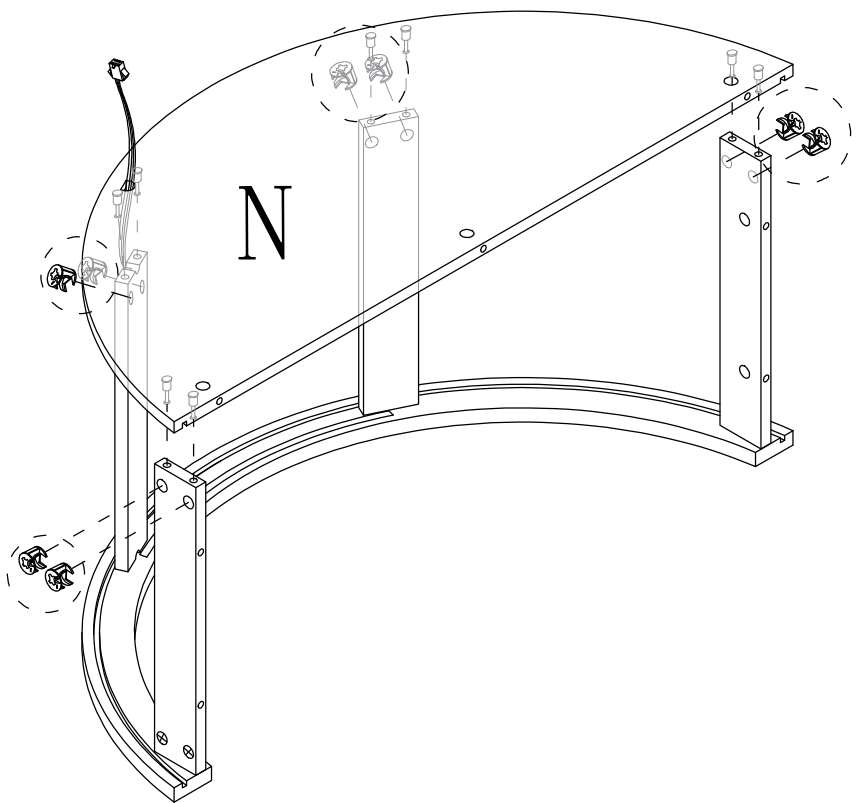
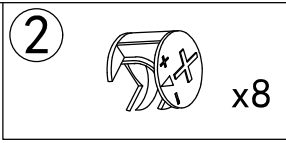
Thread the light wire through board P1 and tighten the nut

## Step 26

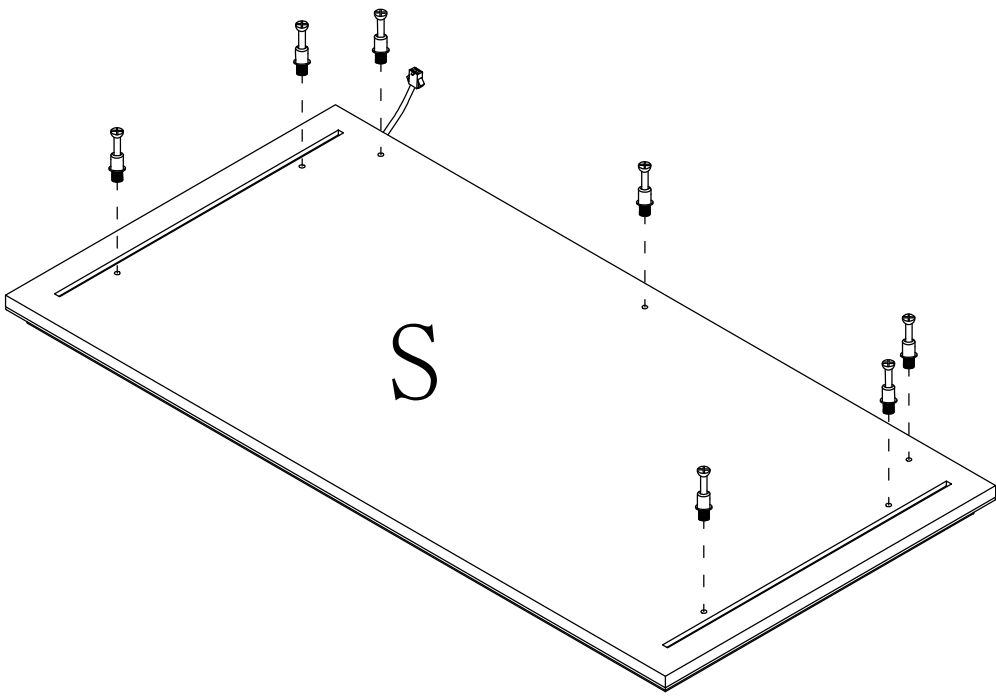
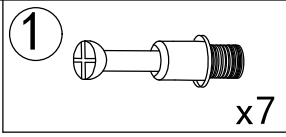
8  x1



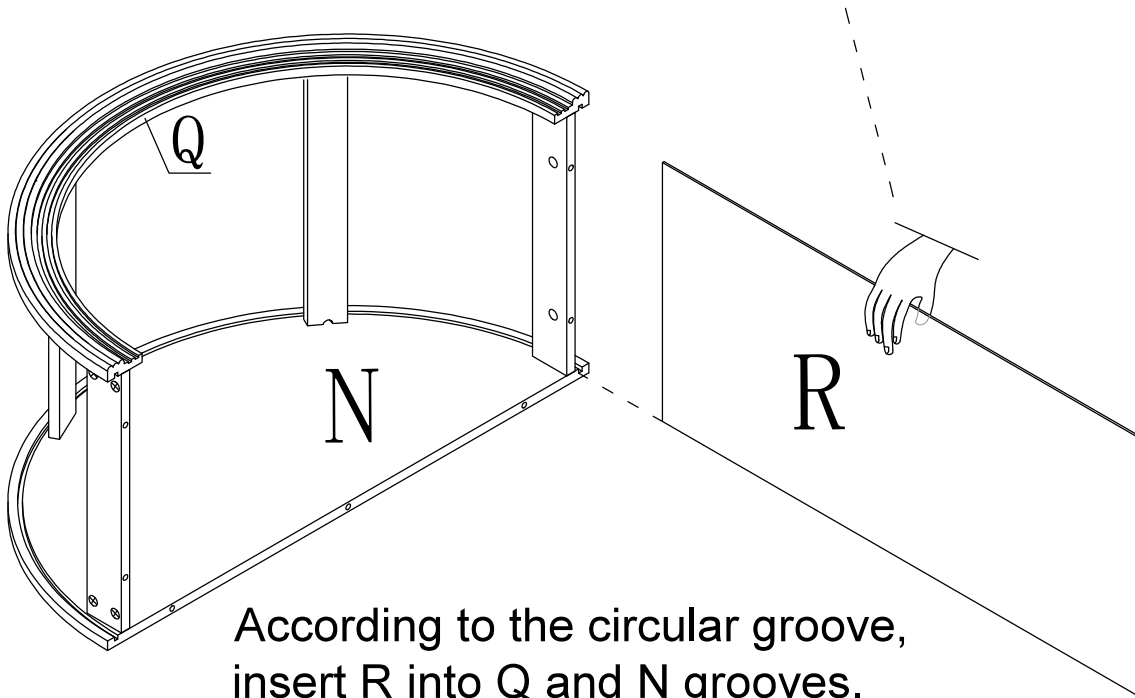
Step 27



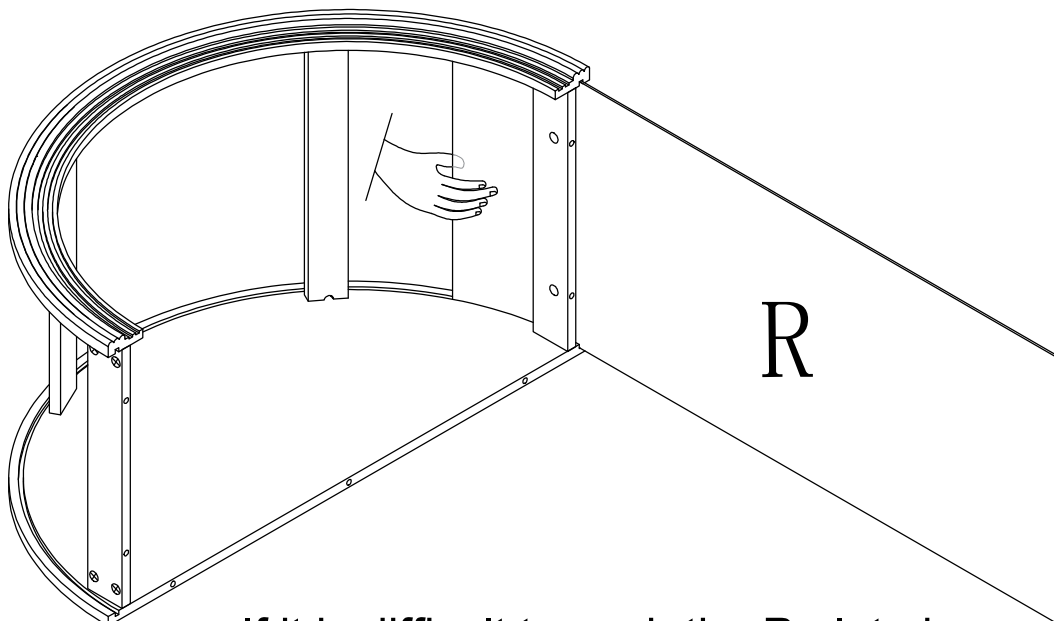
Step 28



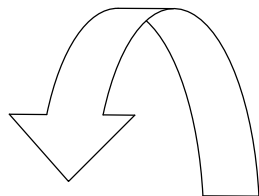
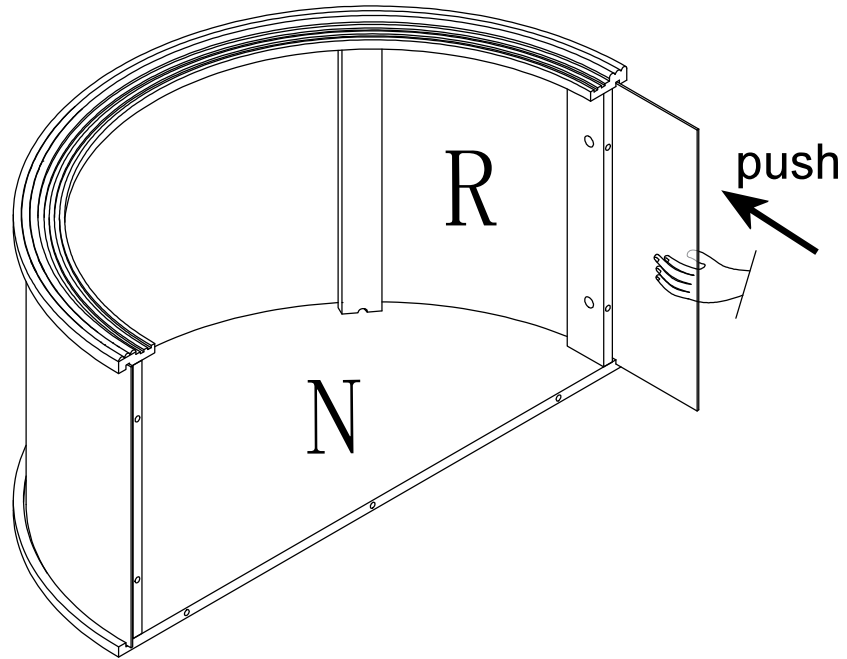
Note: When installing the R plate, push the middle of the R plate by hand to push the R plate into the groove.



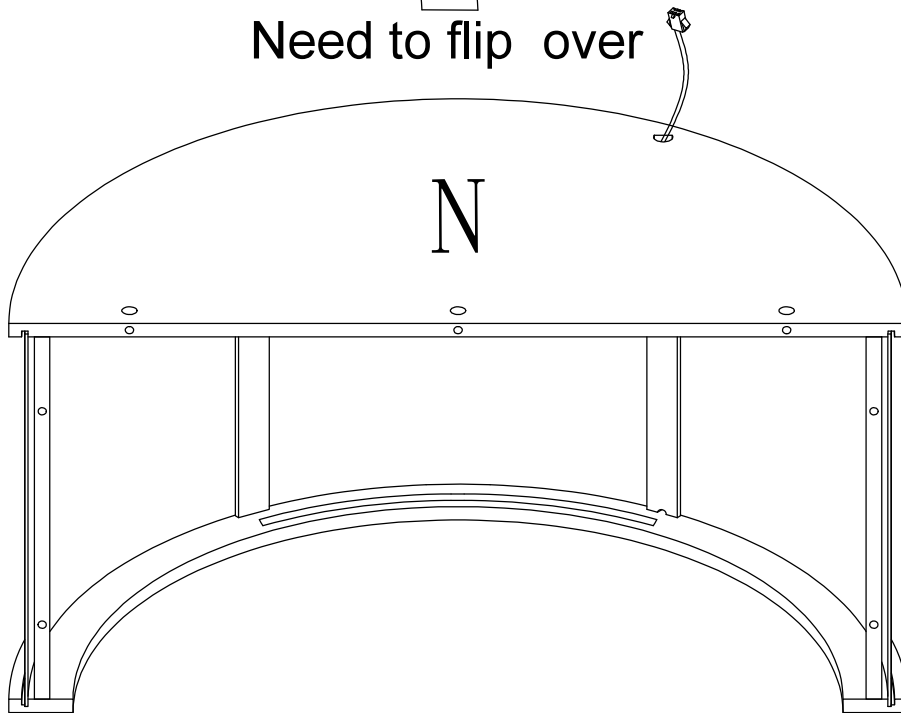
According to the circular groove, insert R into Q and N grooves.



If it is difficult to push the R plate in, you can use the pull method.



Need to flip over

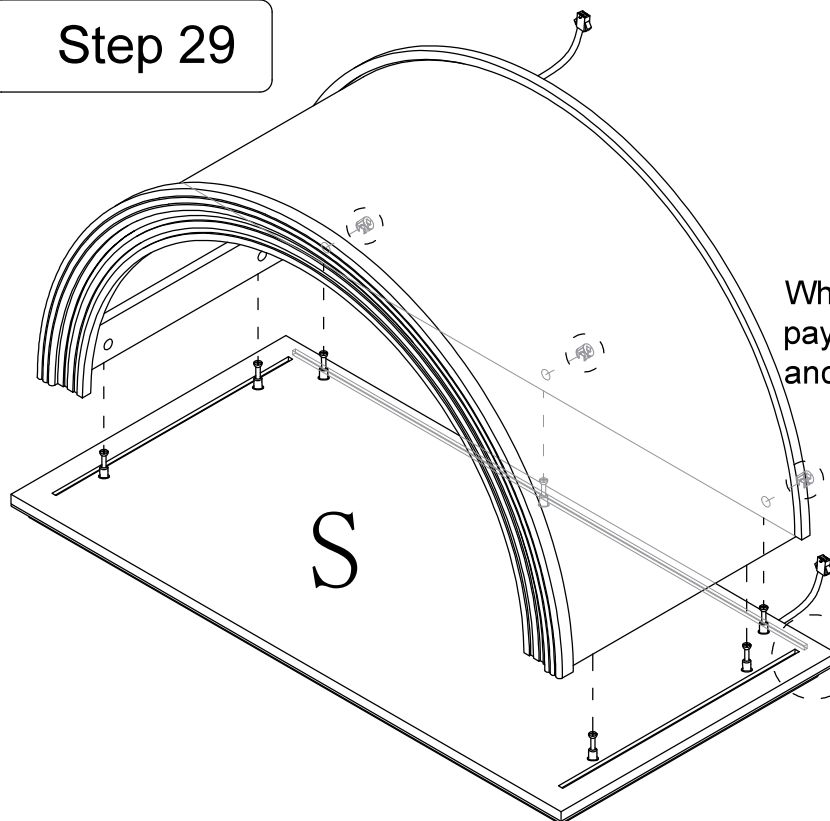


## Step 29

2



x3



When installing the N plate, pay attention to the front and back, and there is a groove under the S plate.

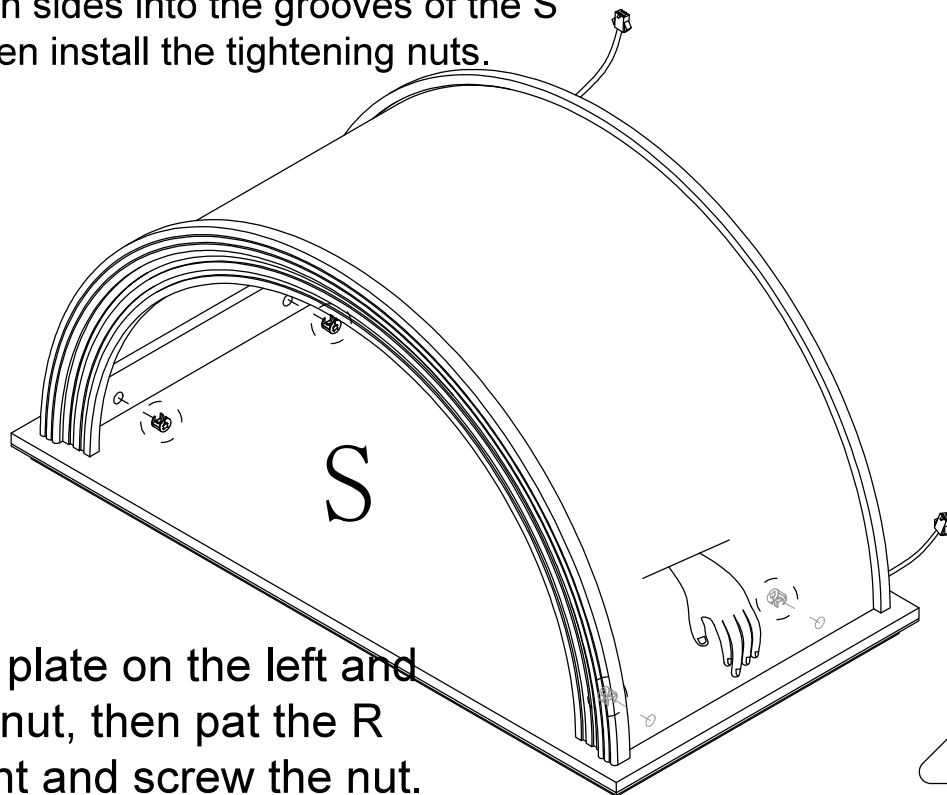
## Step 30

2



x4

Note: After installing the S board, you need to pat the backboards on both sides into the grooves of the S board by hand. Then install the tightening nuts.

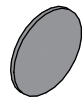


Note: pat the R plate on the left and then screw the nut, then pat the R plate on the right and screw the nut.

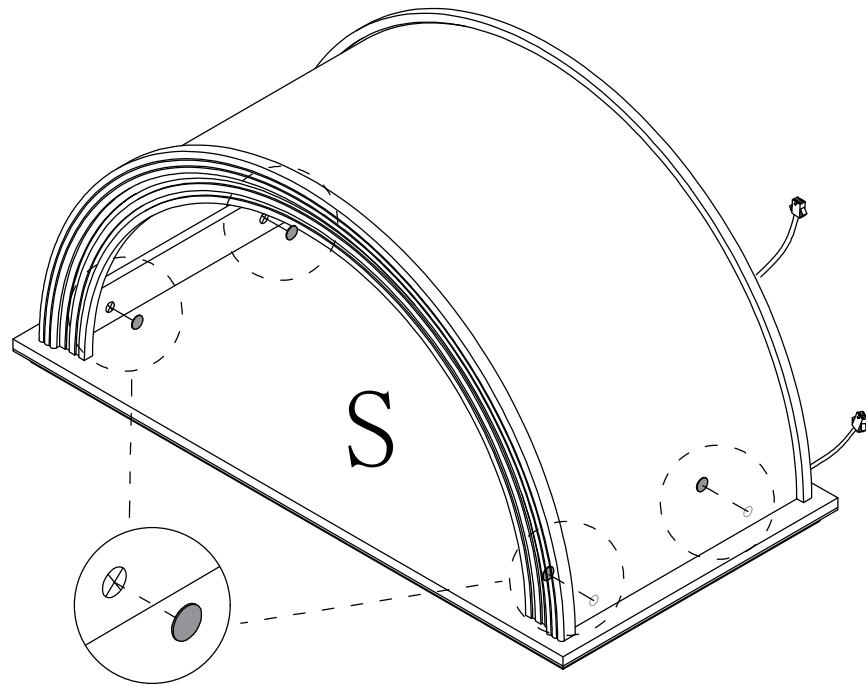
24

Step 31

8

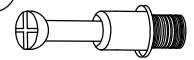


x4

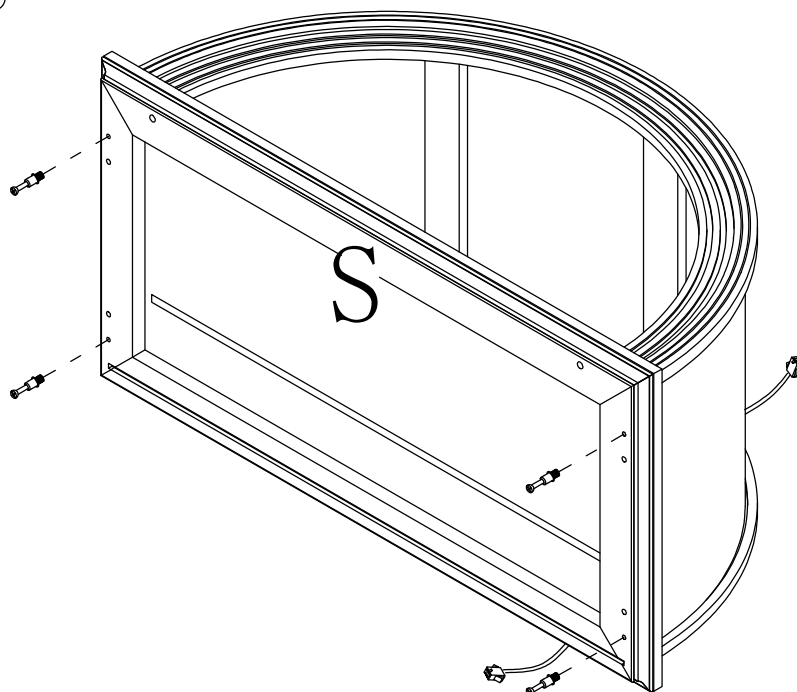


Step 32


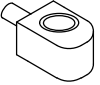
1

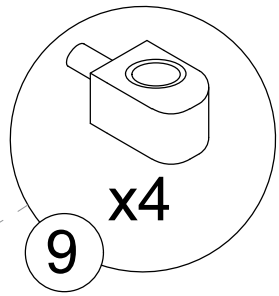
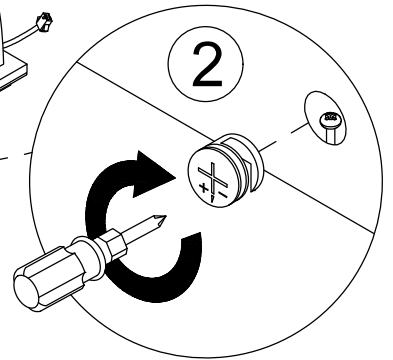
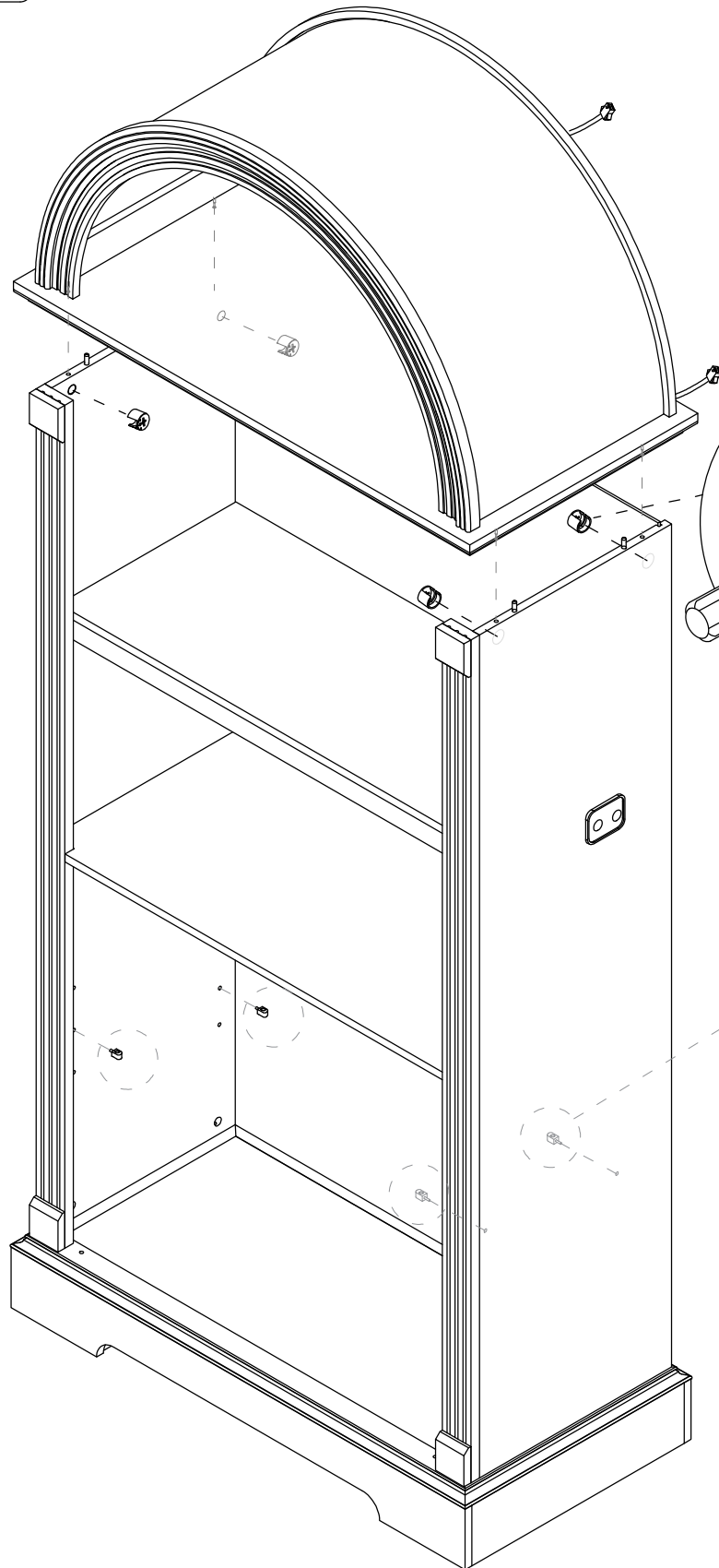


x4

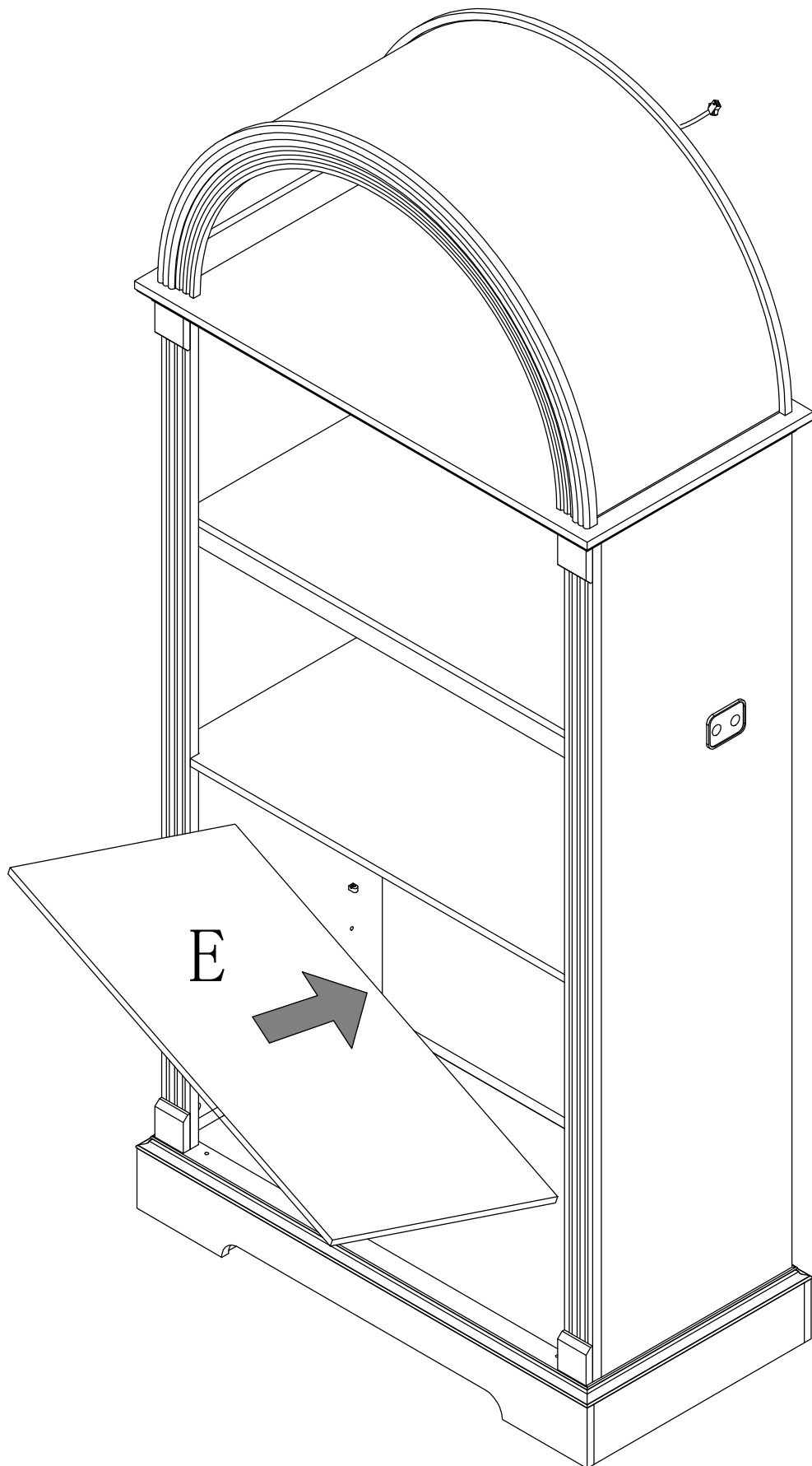


# Step 33

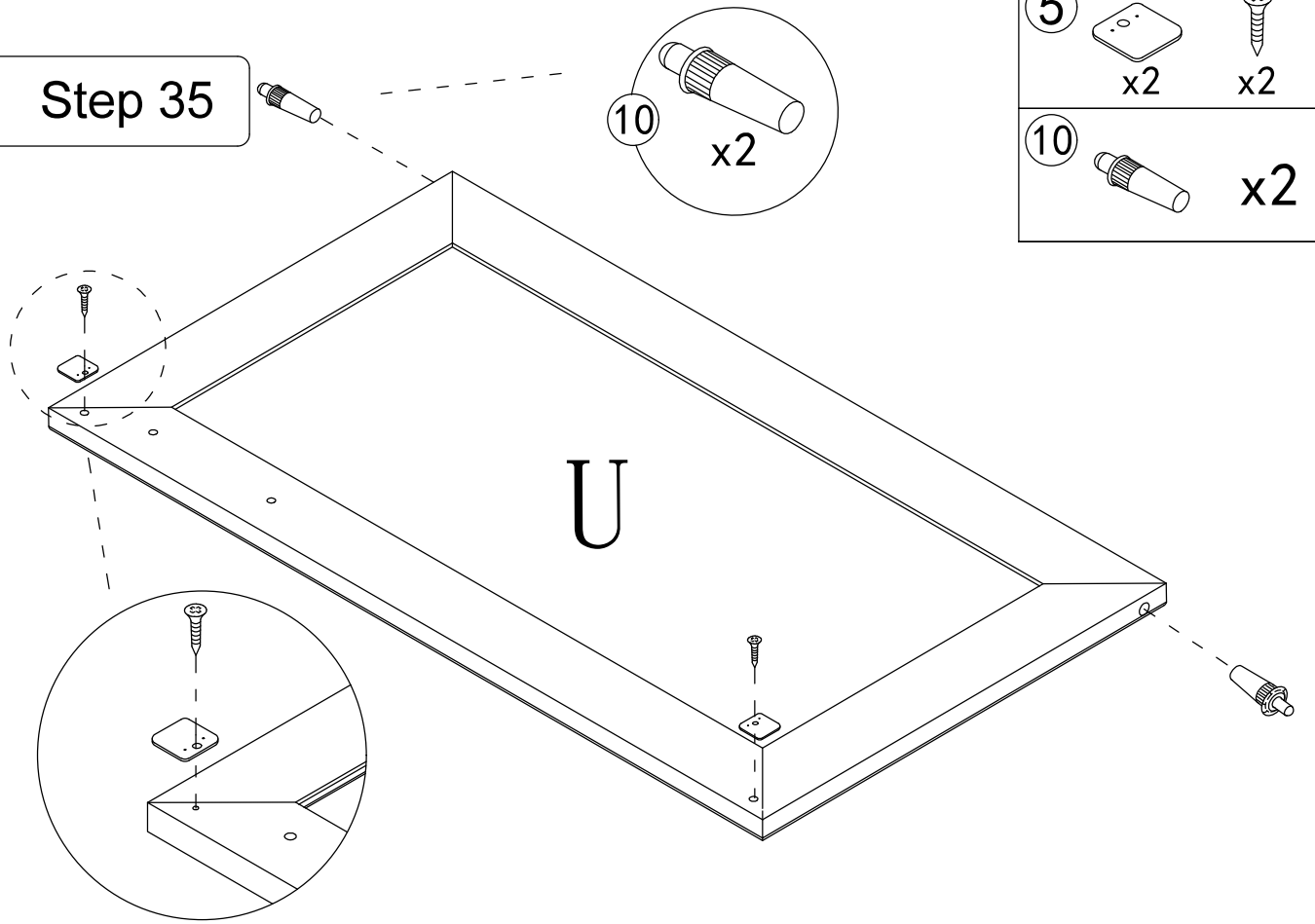
- 2  x4
- 9  x4



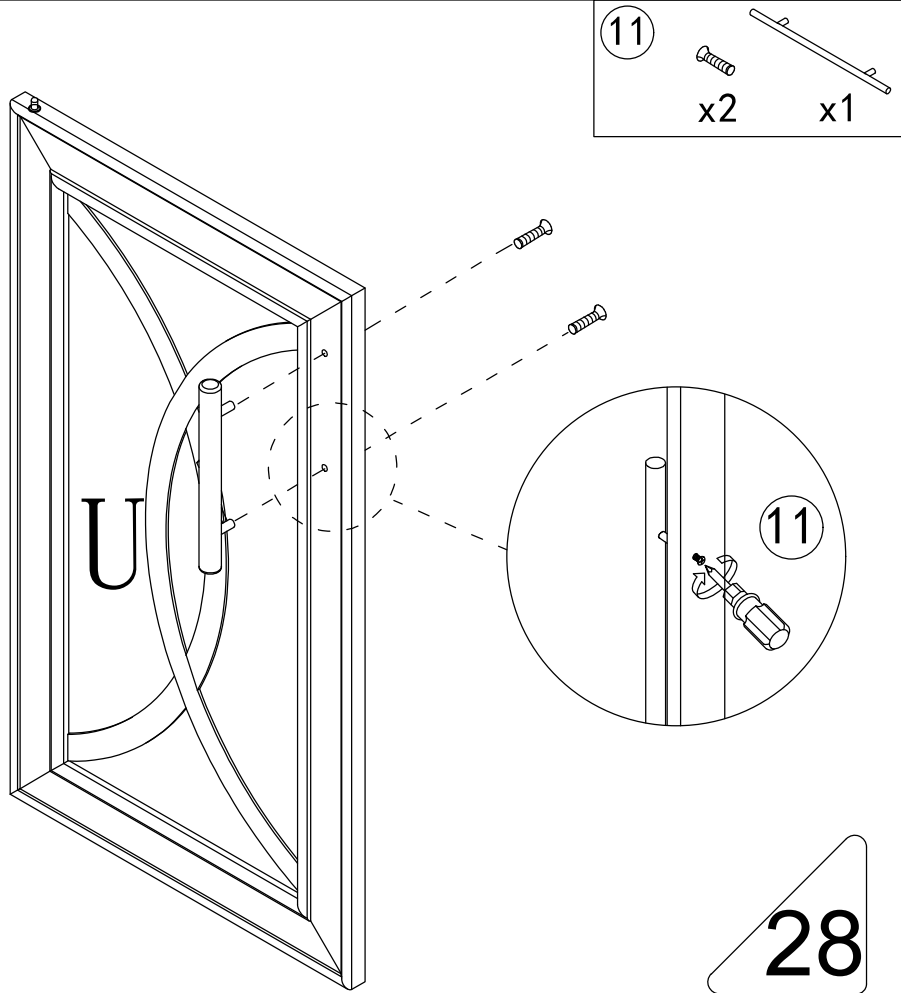
Step 34



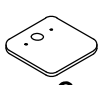
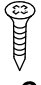
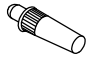
Step 35

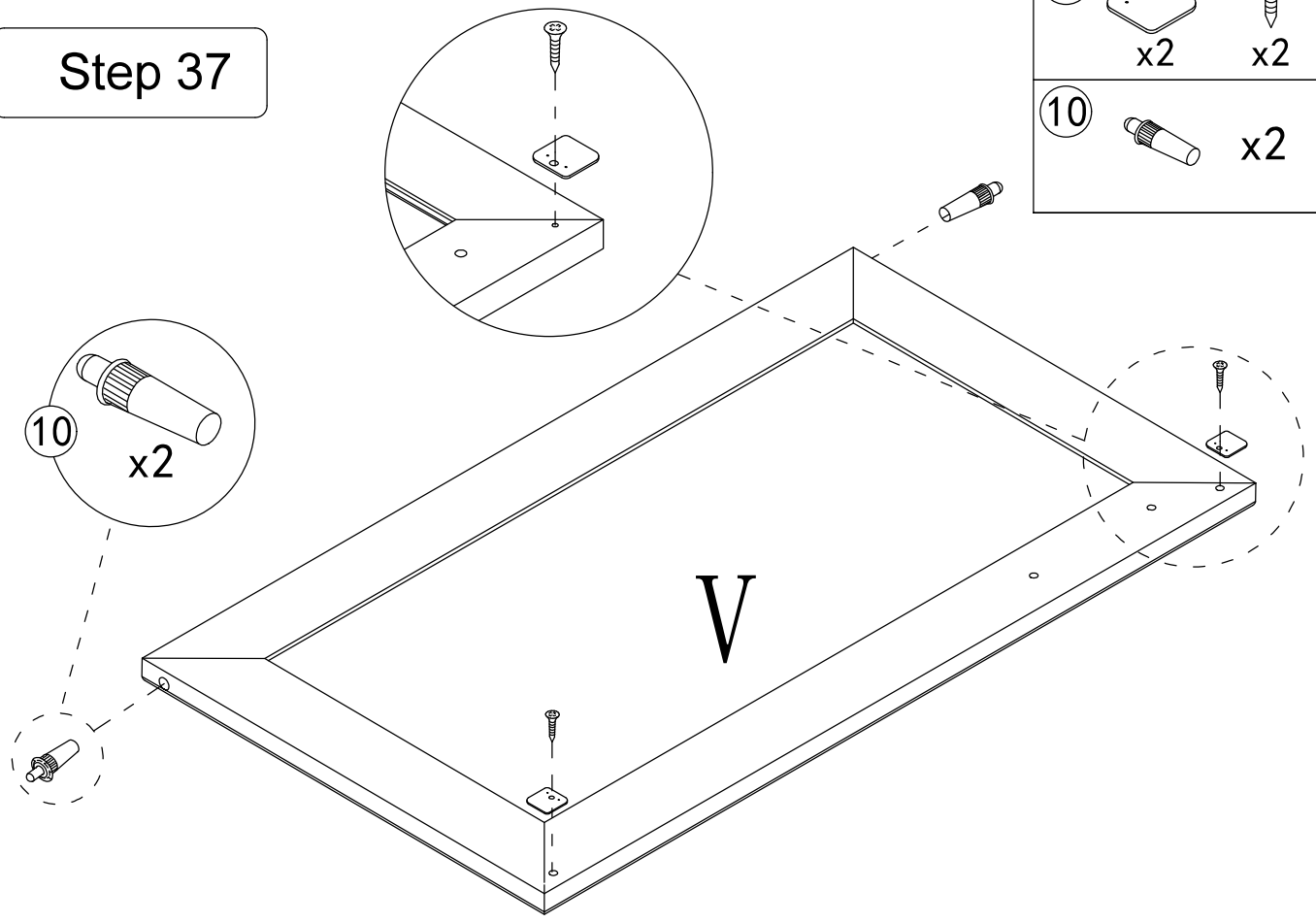


Step 36


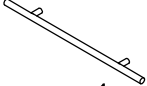


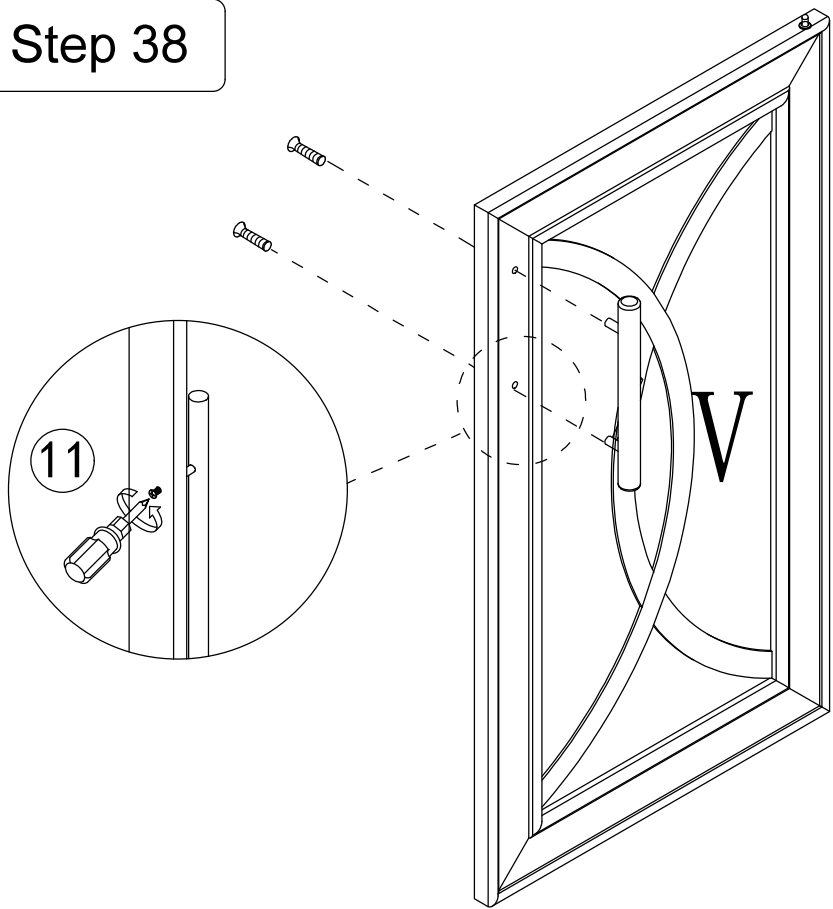
Step 37

- 5  x2  x2
- 10  x2

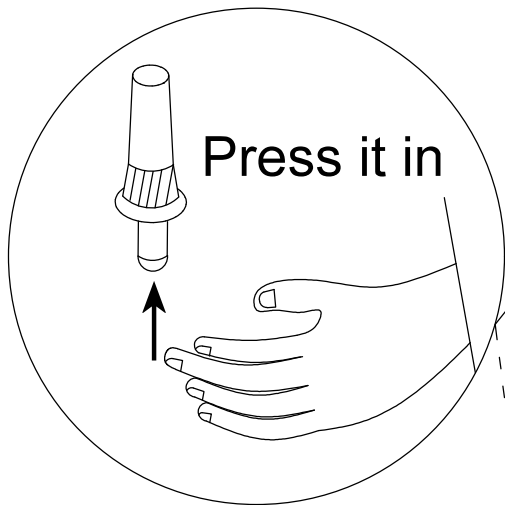
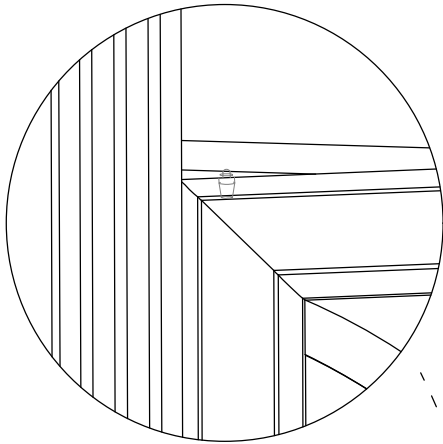


Step 38

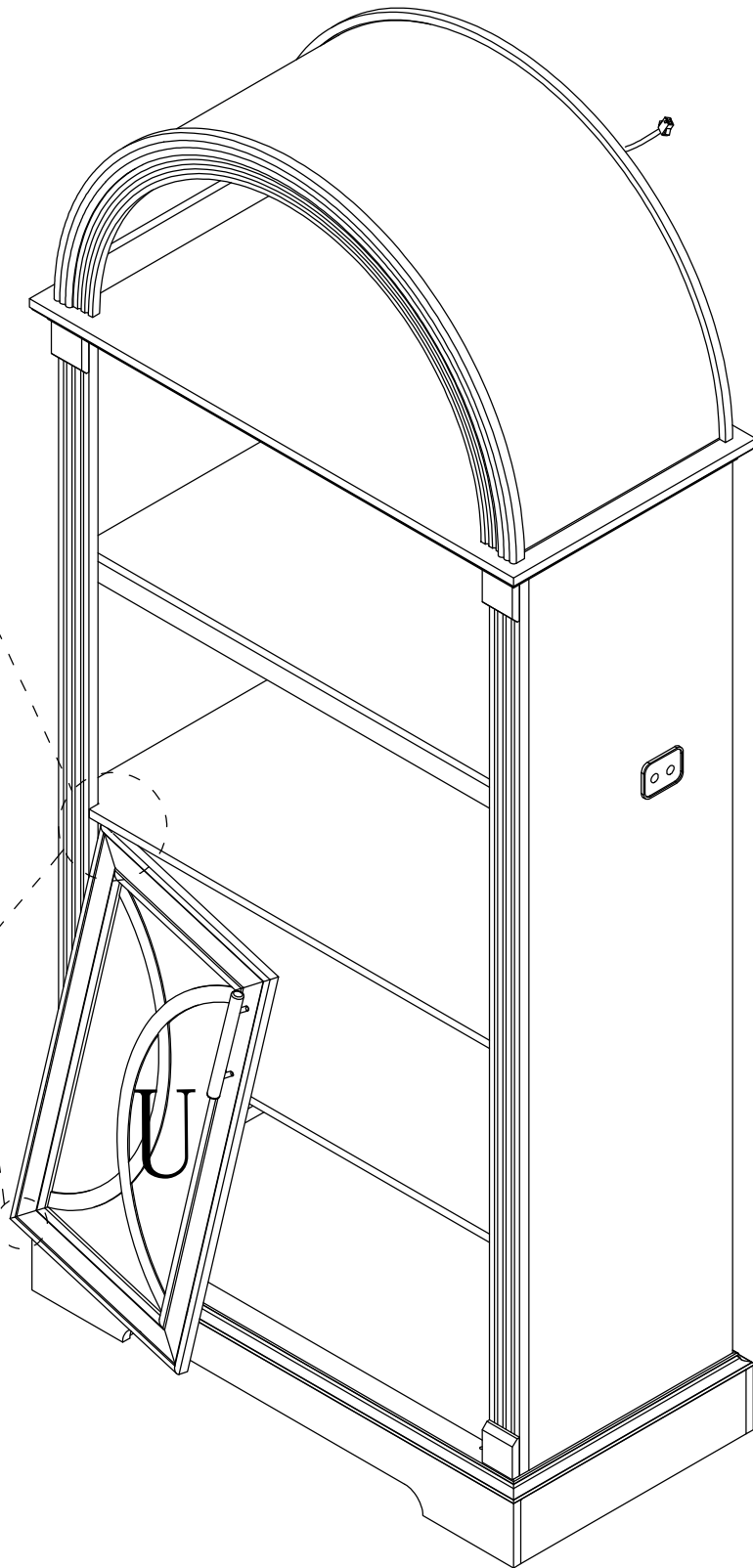
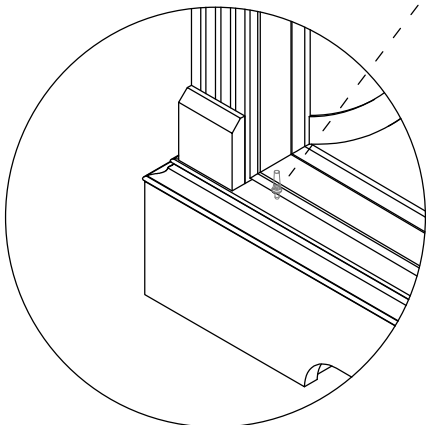
- 11  x2  x1



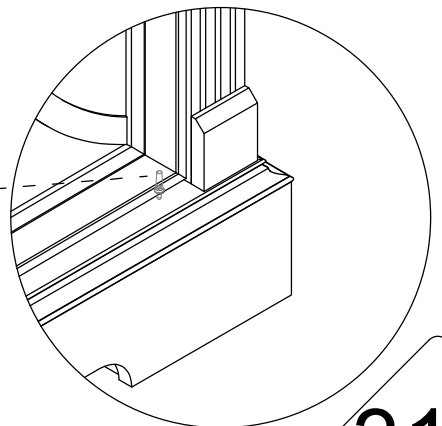
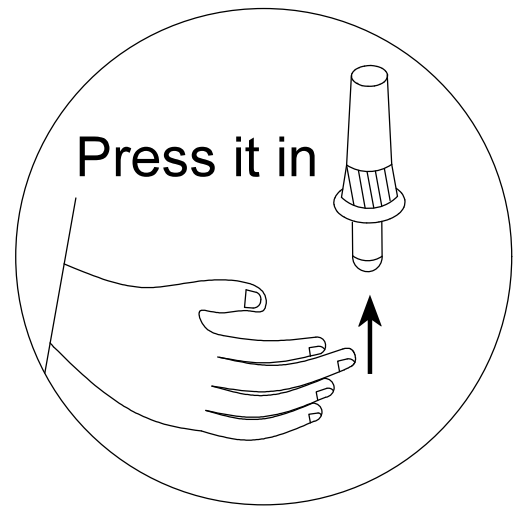
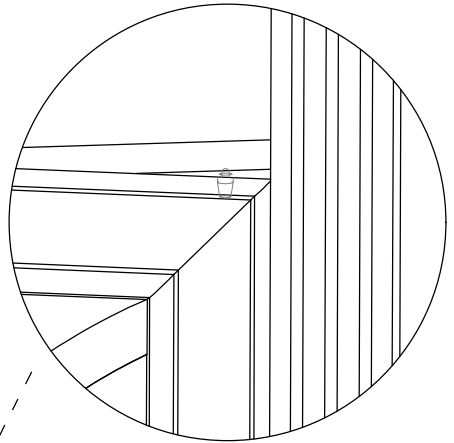
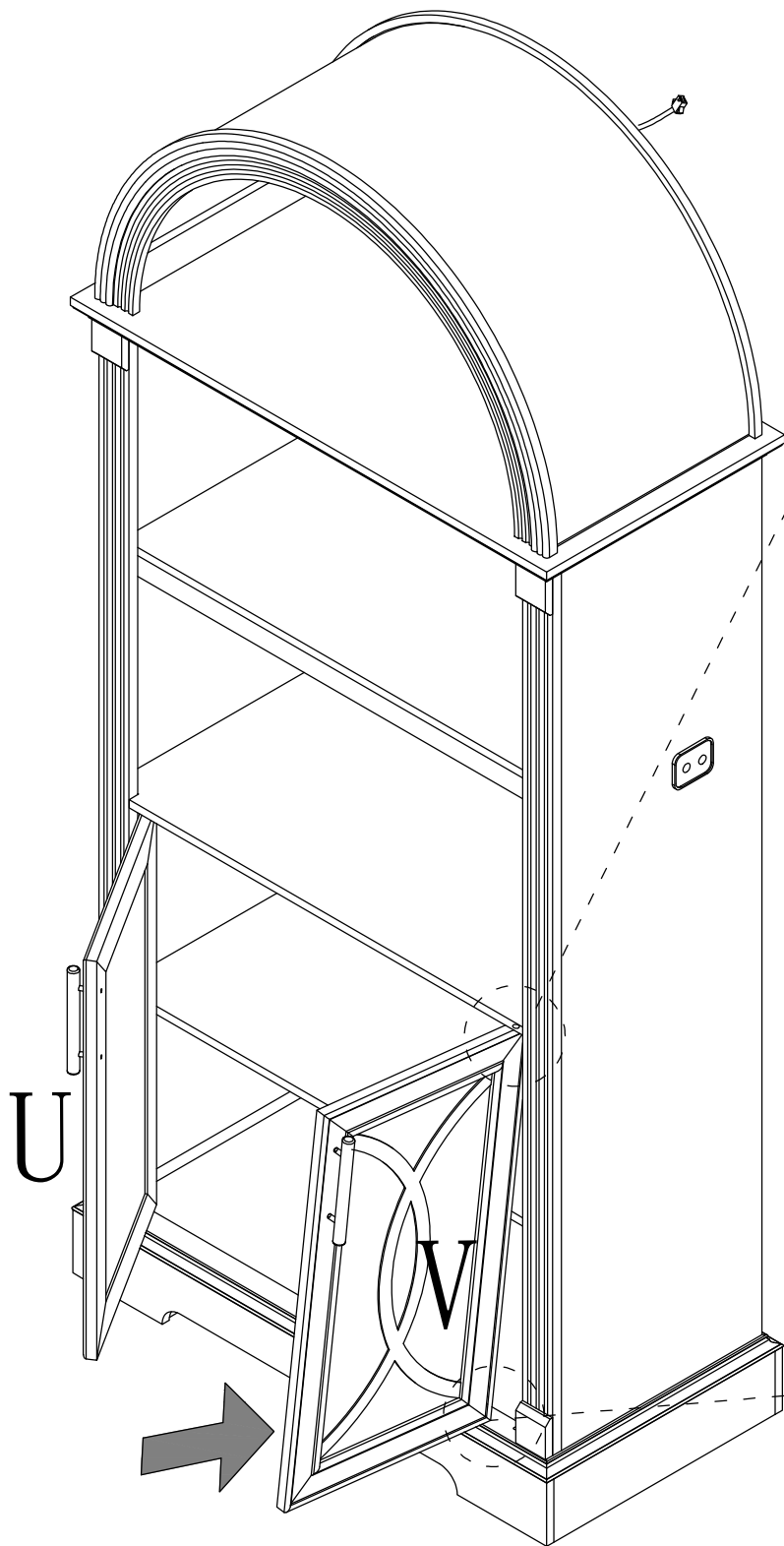
Step 39



Press it in

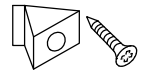


Step 40

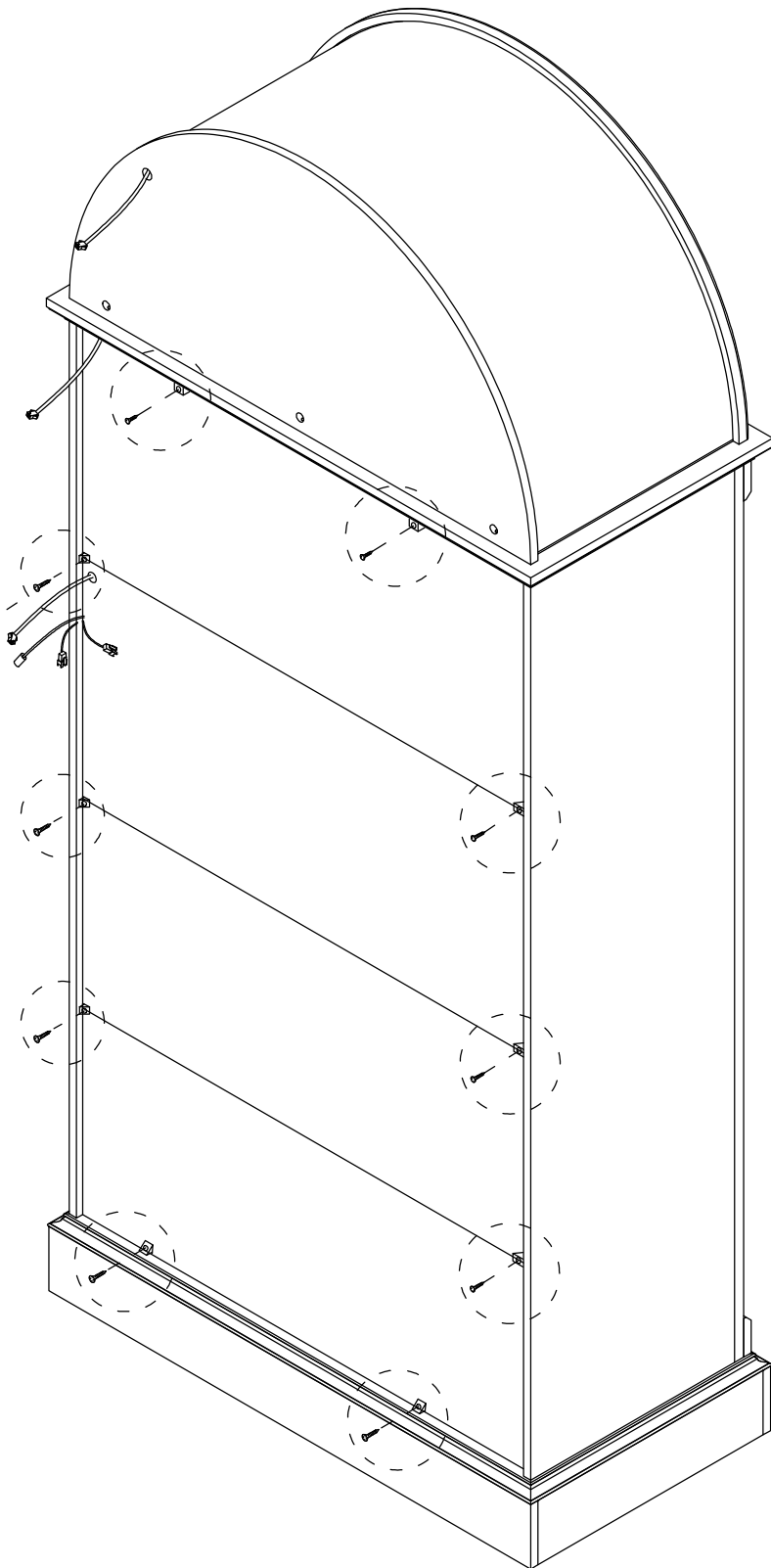
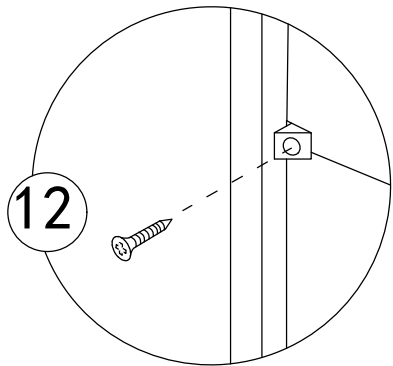


# Step 41

12

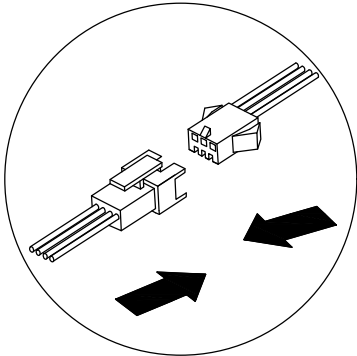
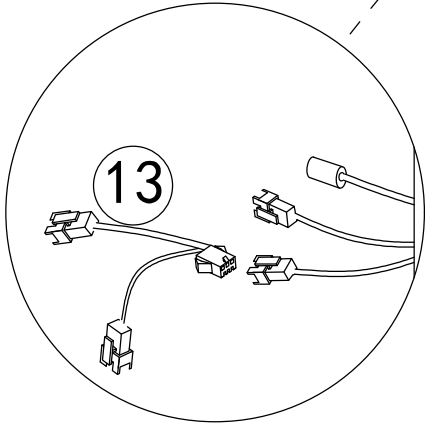
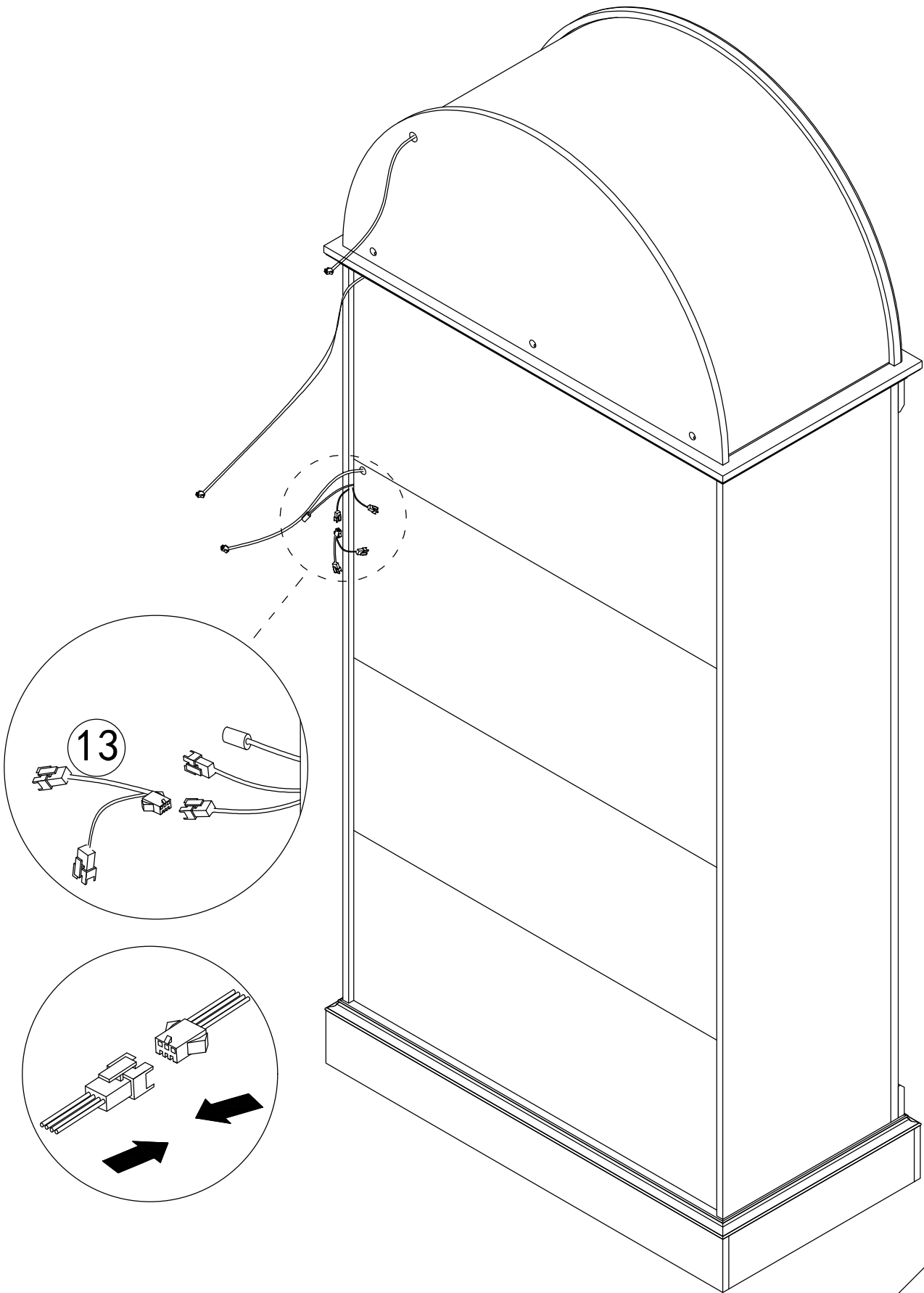


x10

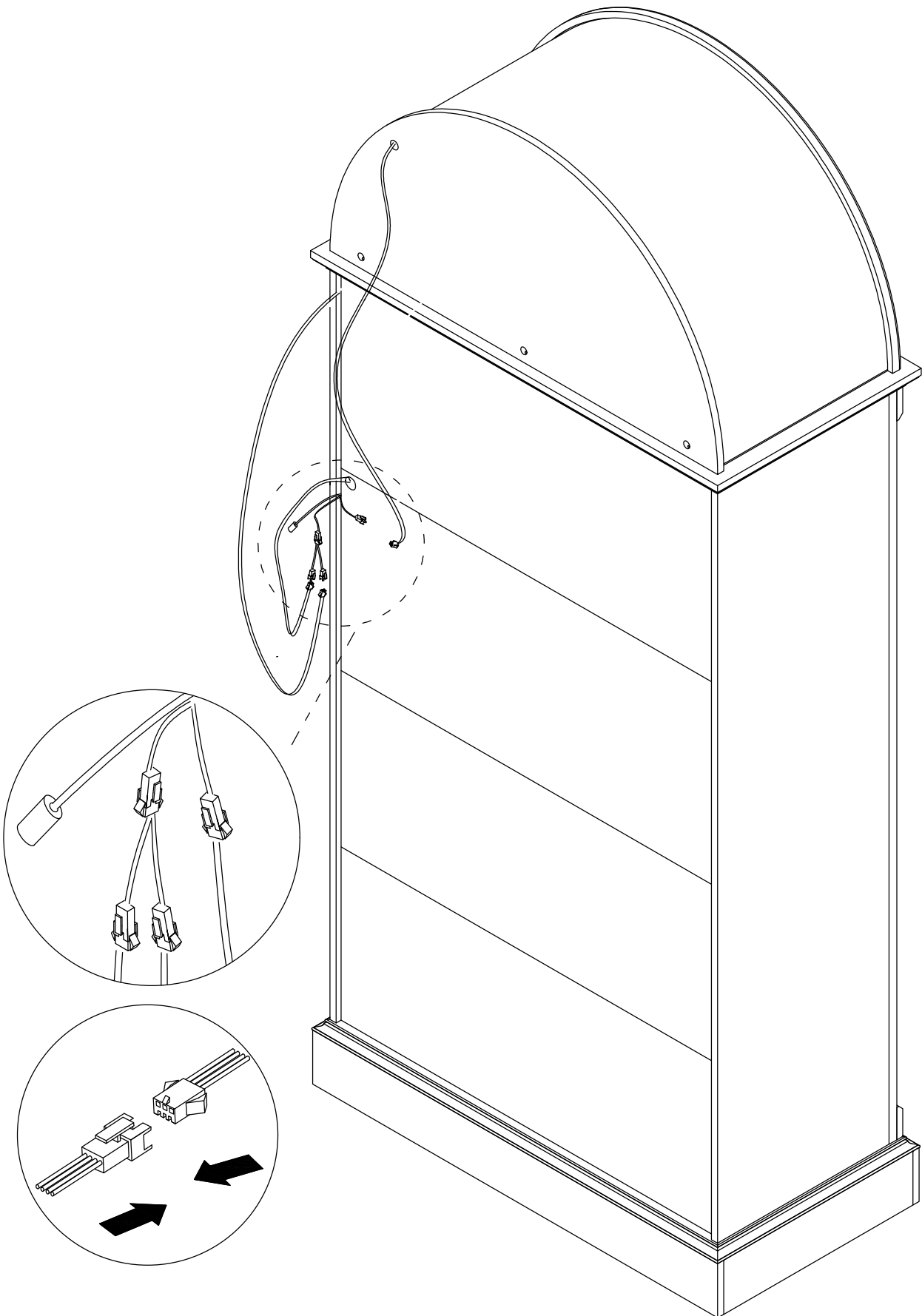


# Step 42

13 x1

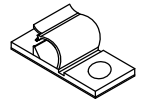


Step 43



# Step 44

14



x3

15



1pcs

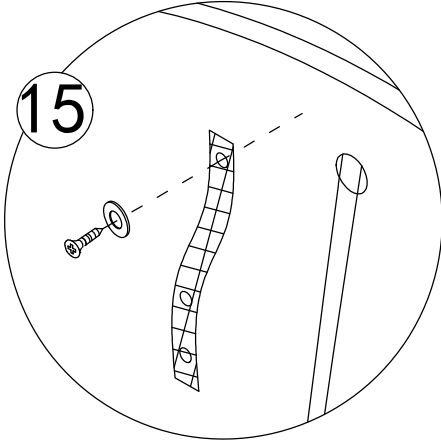


1pcs

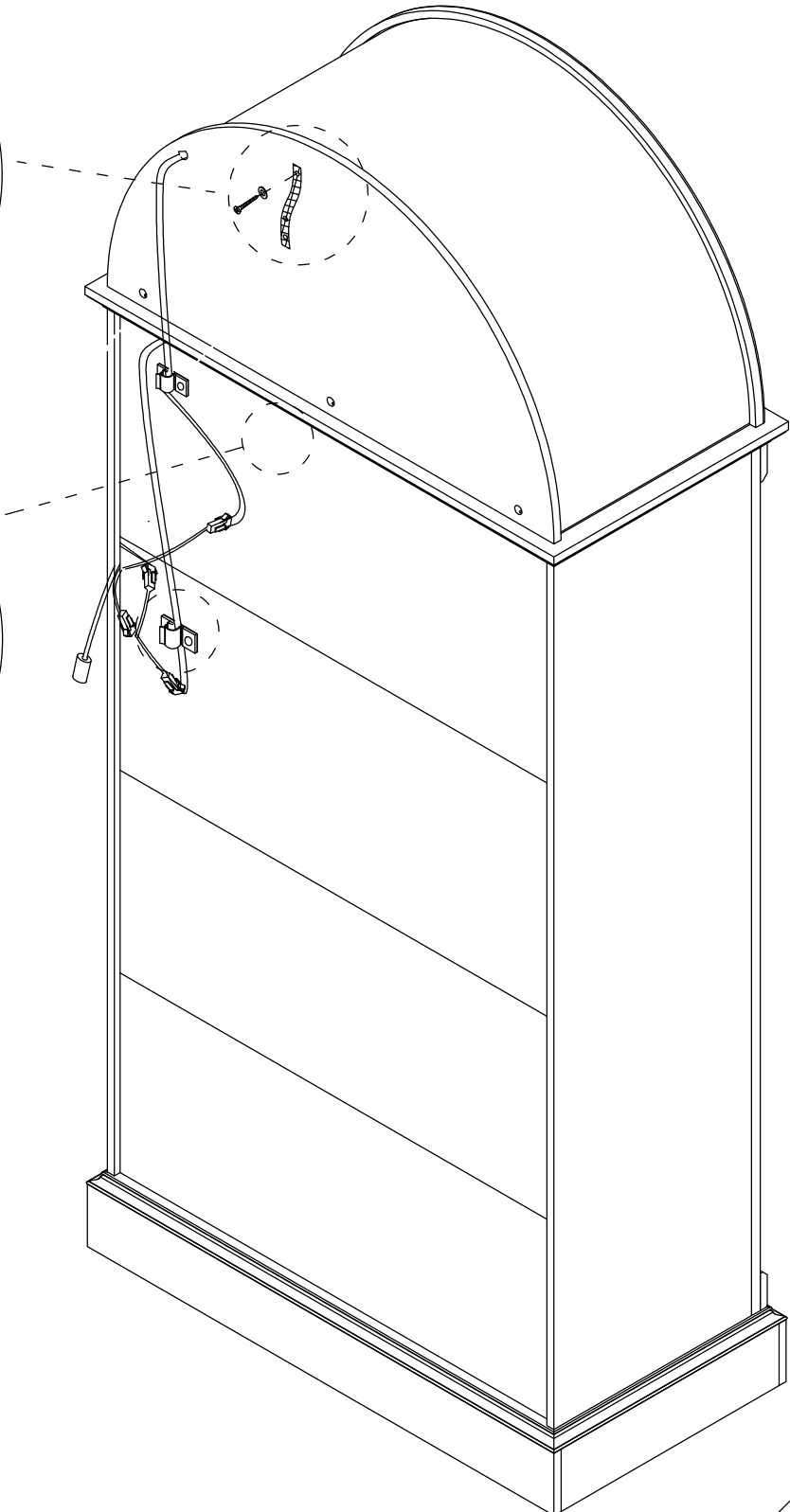
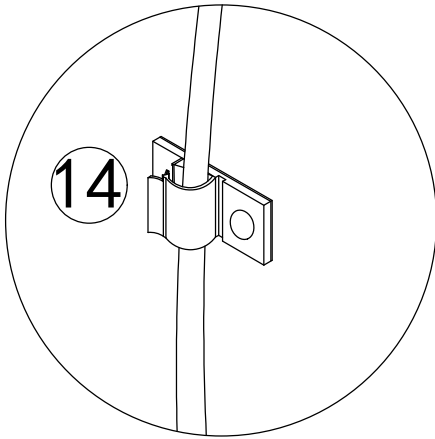


1pcs

15

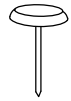


14



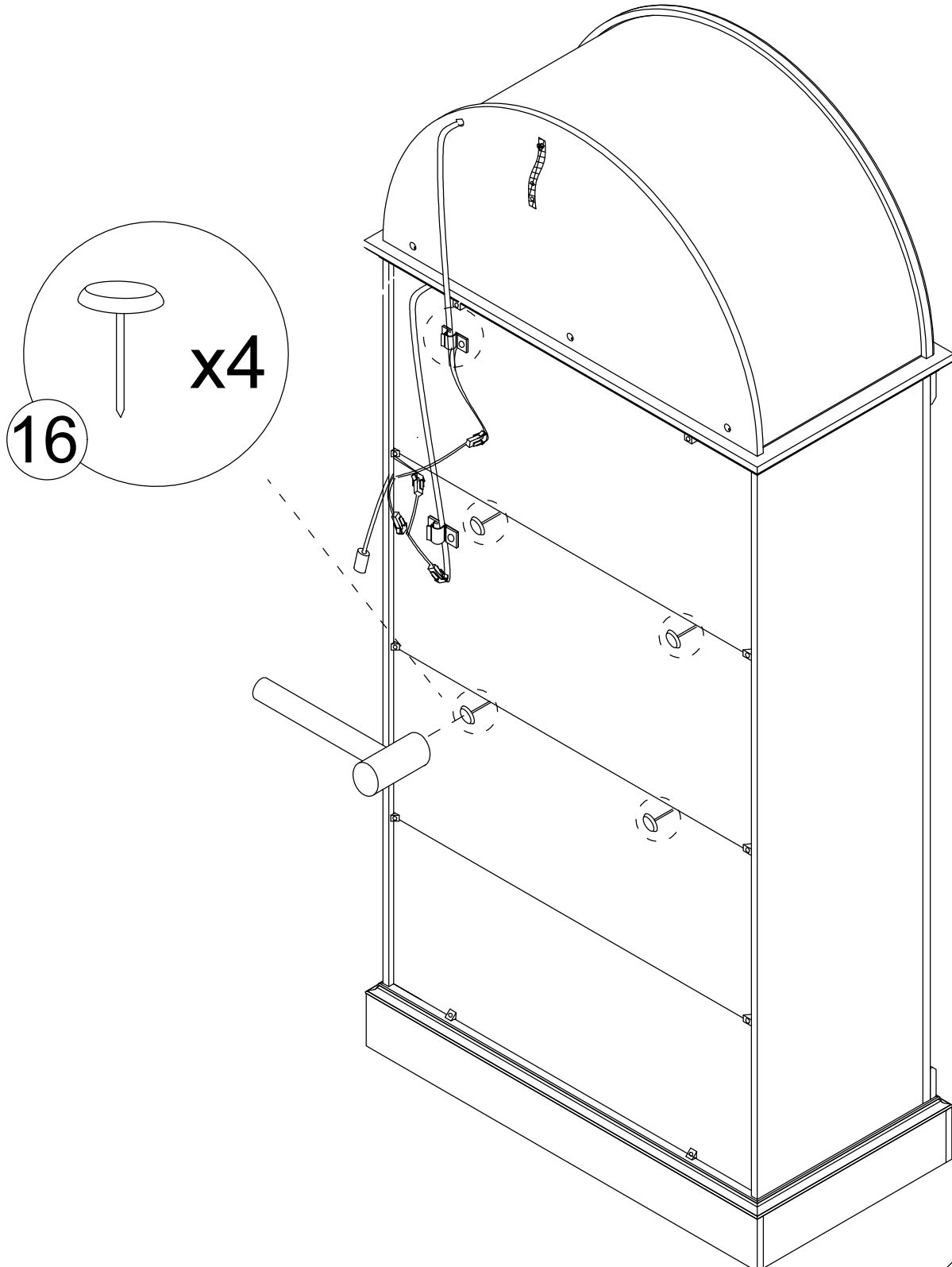
Step 45

16



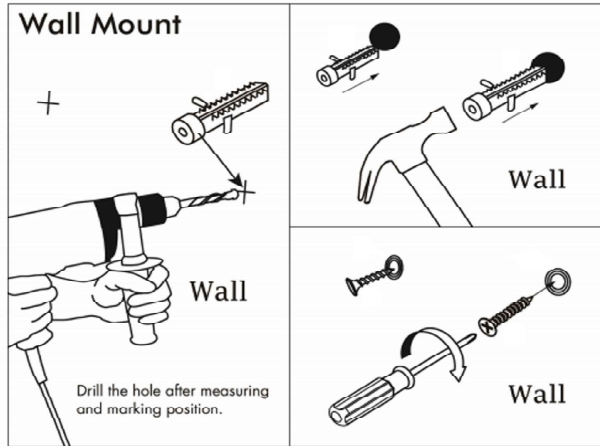
x4

Use a hammer to drive the nail into the gap of the wooden board and fix the back board

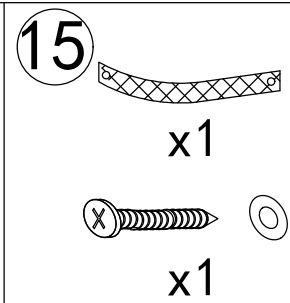


# Step 46

use a ruler to measure the approximate height of the product on the wall, and then mark it with a pencil.



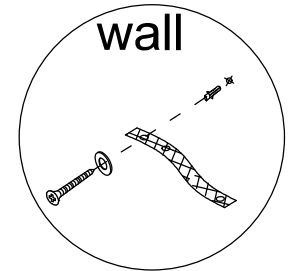
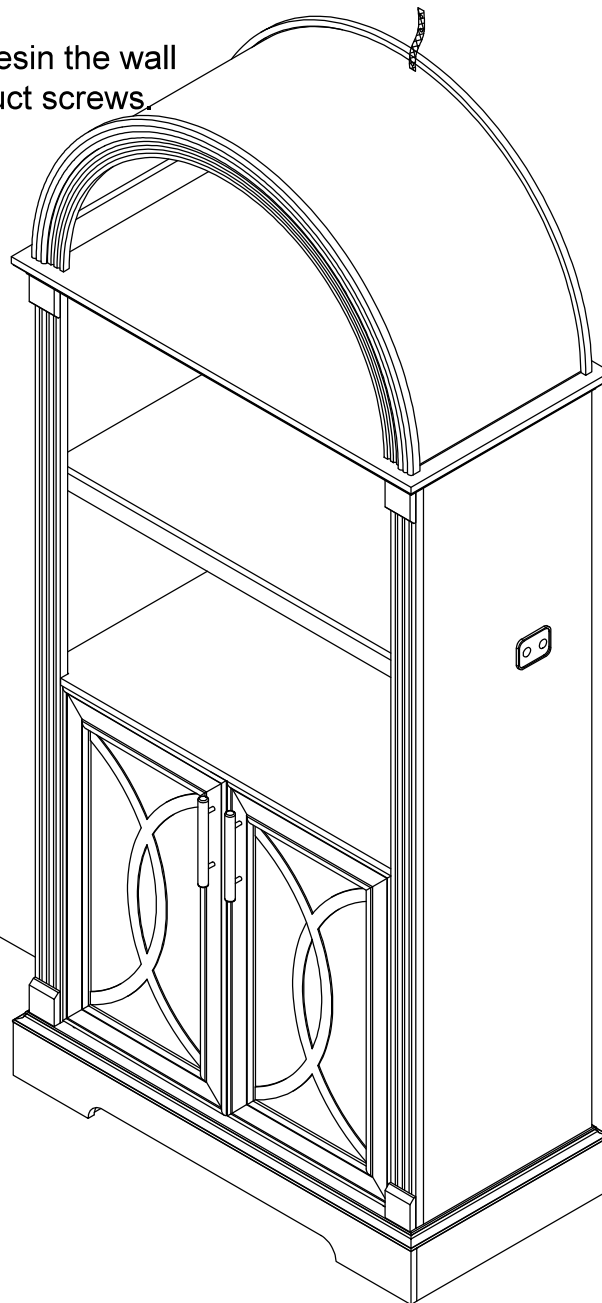
Drill the hole after measuring and marking position.



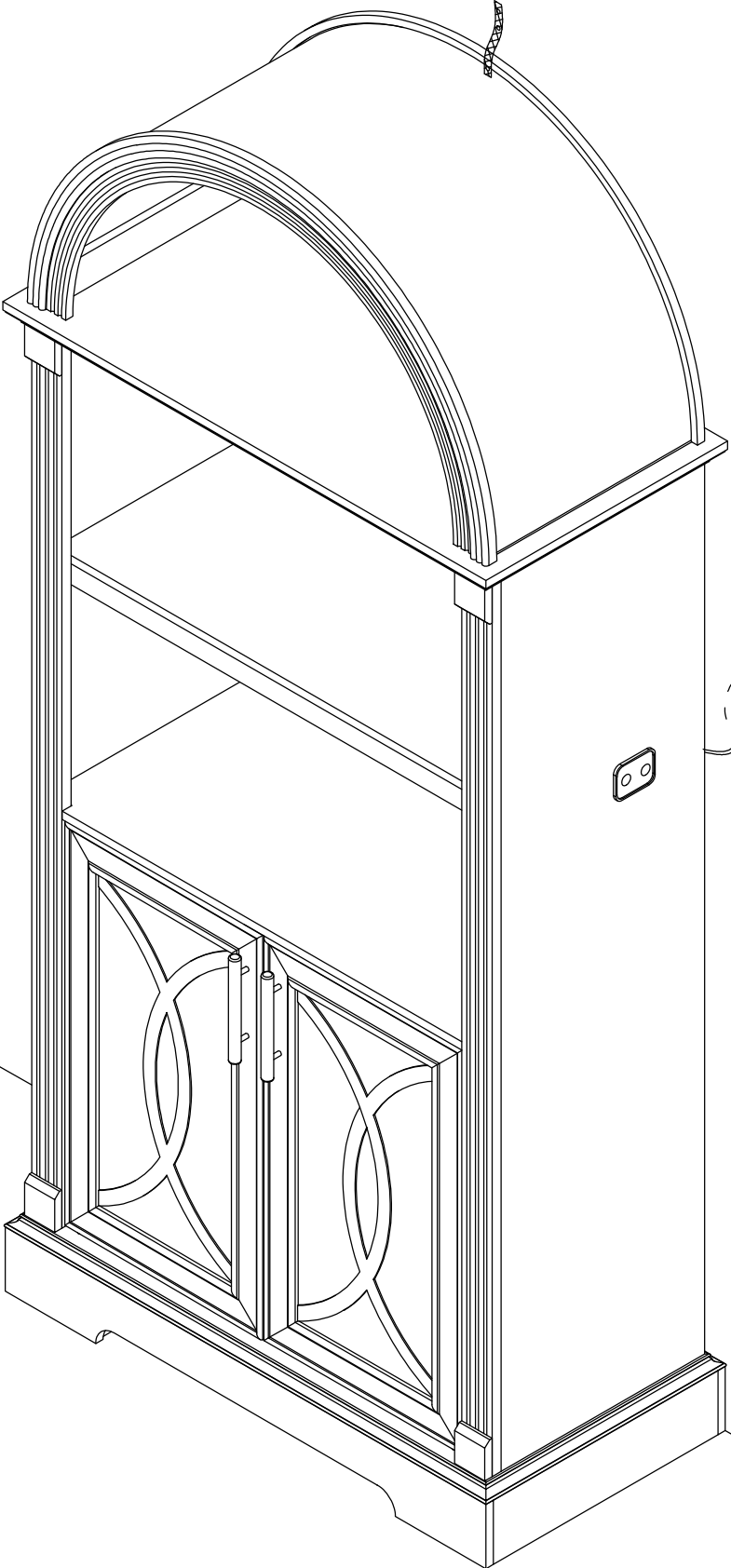
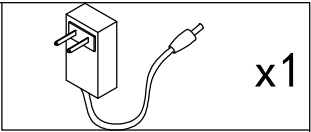
Put the expansion bolt into the hole.

Pass the matching screws through the "anti-rewind" and tighten them to fix them on the wall.

Use a tape drill to make holes in the wall that are suitable for the product screws.



Step 47



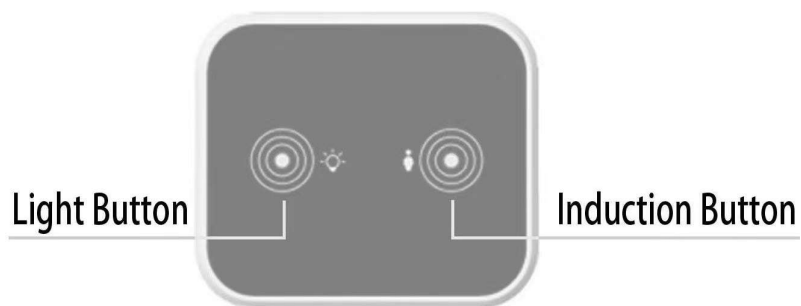
## User's Guide

Thank you for purchasing this product. To use this product, please plug it into a 12V DC power supply. Please use if the product works normally after connecting to power.

## Introduction

The box is an intelligent controller with 2 touch buttons. It can turn ON/OFF the light, change light colors, and adjust the light luminance.

## Product Show



### ATTENTION PLEASE

1. If there is no touch response suddenly, Re-plug the power to reset the touch static electricity.
2. If bubbles appear on the panel, remove the protective film.

## Operation



This touch button is used to turn on/off, change colors, and adjust brightness.

A. Short touch -> lighting on -> short touch -> change light color -> short touch -> change light color -> short touch -> lighting off. B. Long touch -> adjust the luminance



This touch button is used to turn on/off the induction function.

- A. Short touch to turn on the induction function. It can auto-turn on the light when people are close to the controller in 1 meters. It can auto power off the light when the body is far away from the controller after 30 seconds.
- B. Long touch to turn off the induction function.
- C. Note: When you touch the light button to change the light modes, the induction function will automatically turn off. It is best to turn on this function after selecting the light color and adjusting the brightness you want.