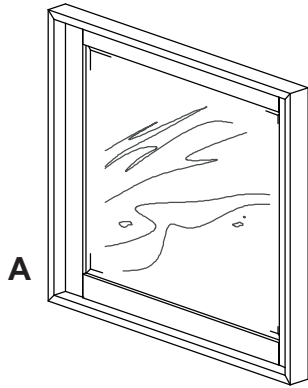


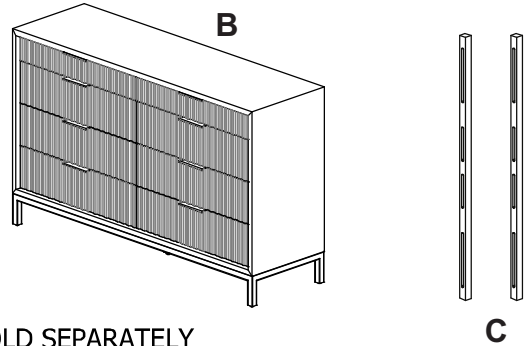
MIRROR

ASSEMBLY INSTRUCTIONS

BOX #1
A. MIRROR 1 PC

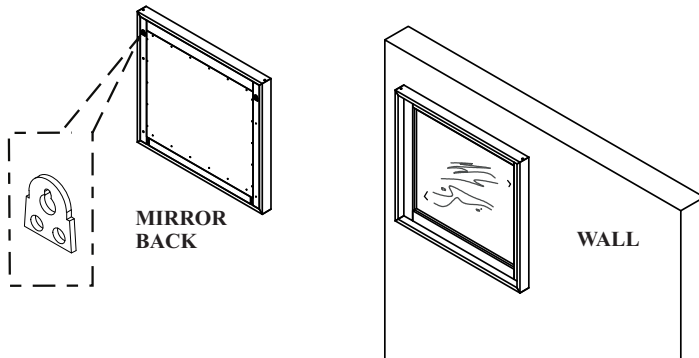


BOX #2
B. DRESSER 1 PC
C. MIRROR SUPPORT 2 PCS
HARDWARE SET



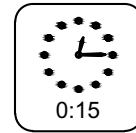
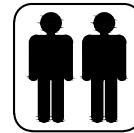
*SOLD SEPARATELY

OPTION 1 WALL MOUNTING

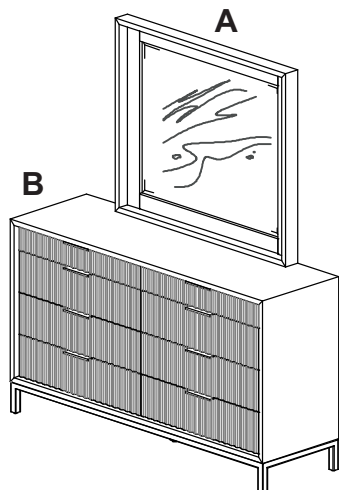


HARDWARE SET PACKED IN BOX #2

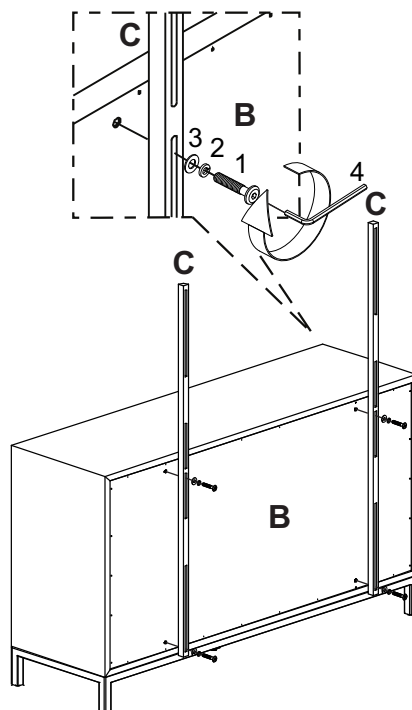
1	ALLEN BOLT (6X40mm)		8 PCS
2	SPRING WASHER (M6)		8 PCS
3	FLAT WASHER (M6)		8 PCS
4	ALLEN KEY (L4)		1 PC



OPTION 2 DRESSER MOUNTING

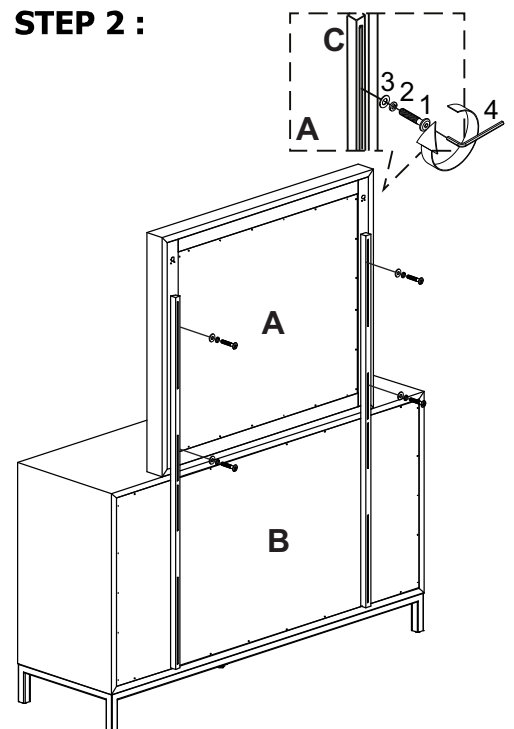


STEP 1 :



NOTE: DO NOT FULLY TIGHTEN BOLTS UNTIL FINAL STEP

STEP 2 :



NOTE: FULLY TIGHTEN ALL BOLTS